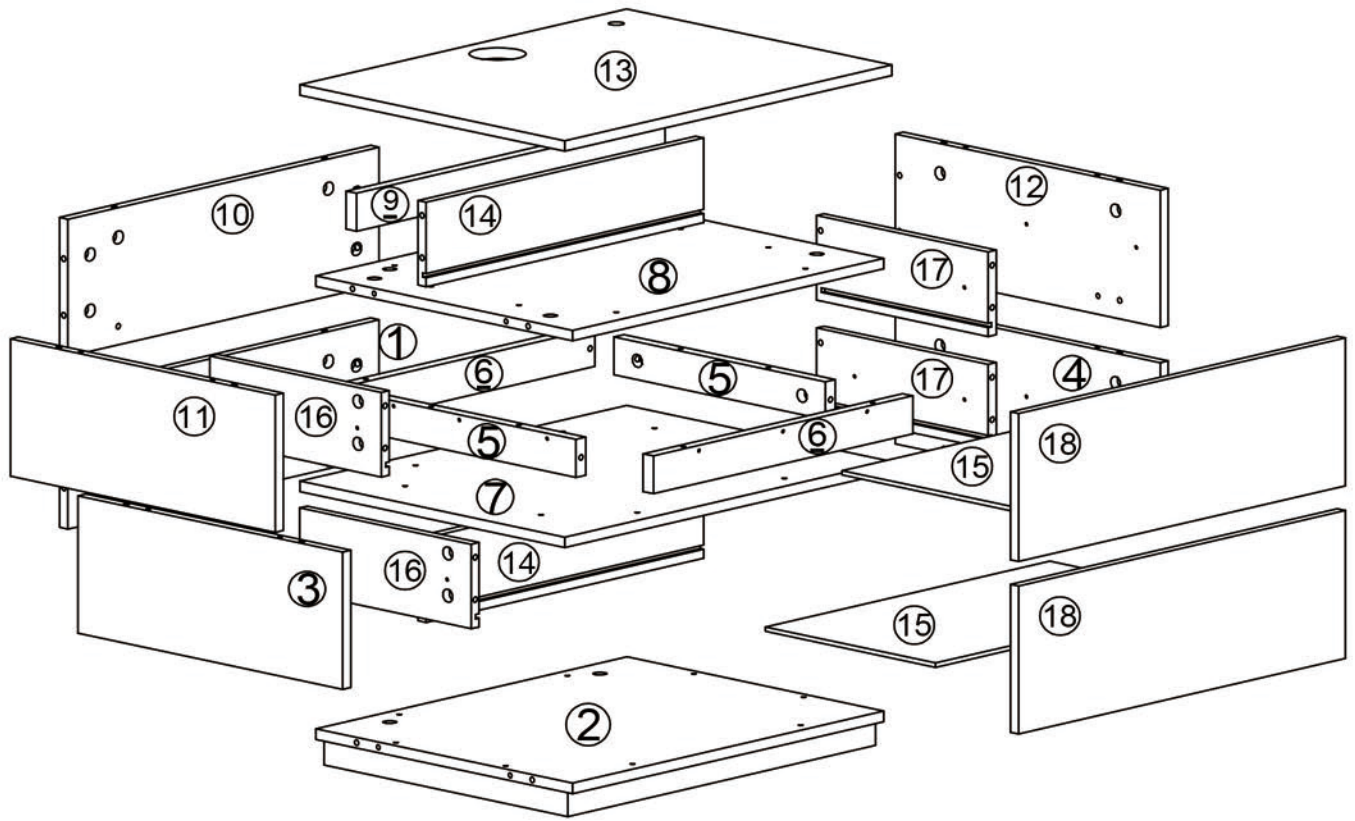




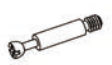
L20*W15.8*H15.8 inch


Installation Instructions


First unpack, arrange the boards with the same number and put them together, then install it according to the numbers, which makes it quicker and easier to install.



Number	Quantity	Number	Quantity	Number	Quantity	Number	Quantity
①	1	⑥	2	⑪	1	⑯	2
②	1	⑦	1	⑫	1	⑰	2
③	1	⑧	1	⑬	1	⑱	2
④	1	⑨	1	⑭	2		
⑤	2	⑩	1	⑮	2		

A	52 PCS
	
ø6*40mm	


B	52 PCS
	
ø12*10mm	


C	16 PCS
	
ø6*30mm	


D	16 PCS
	
M3.5*12mm	


E	18 PCS
	
M7*38mm	

F	4 PCS
	
10"	

G	12 PCS
	

H	1 PC
	

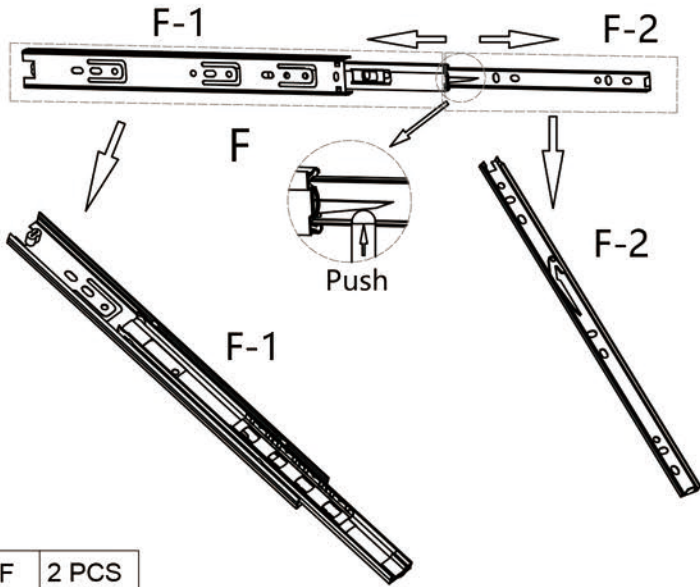
I	1 PC
	

J	1 PC
	

1

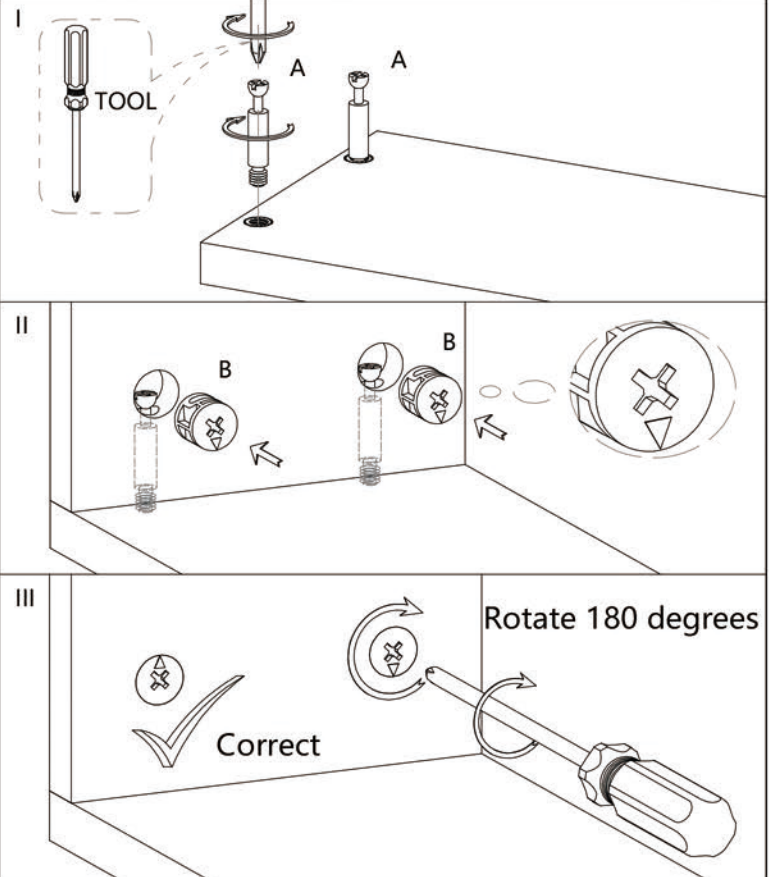
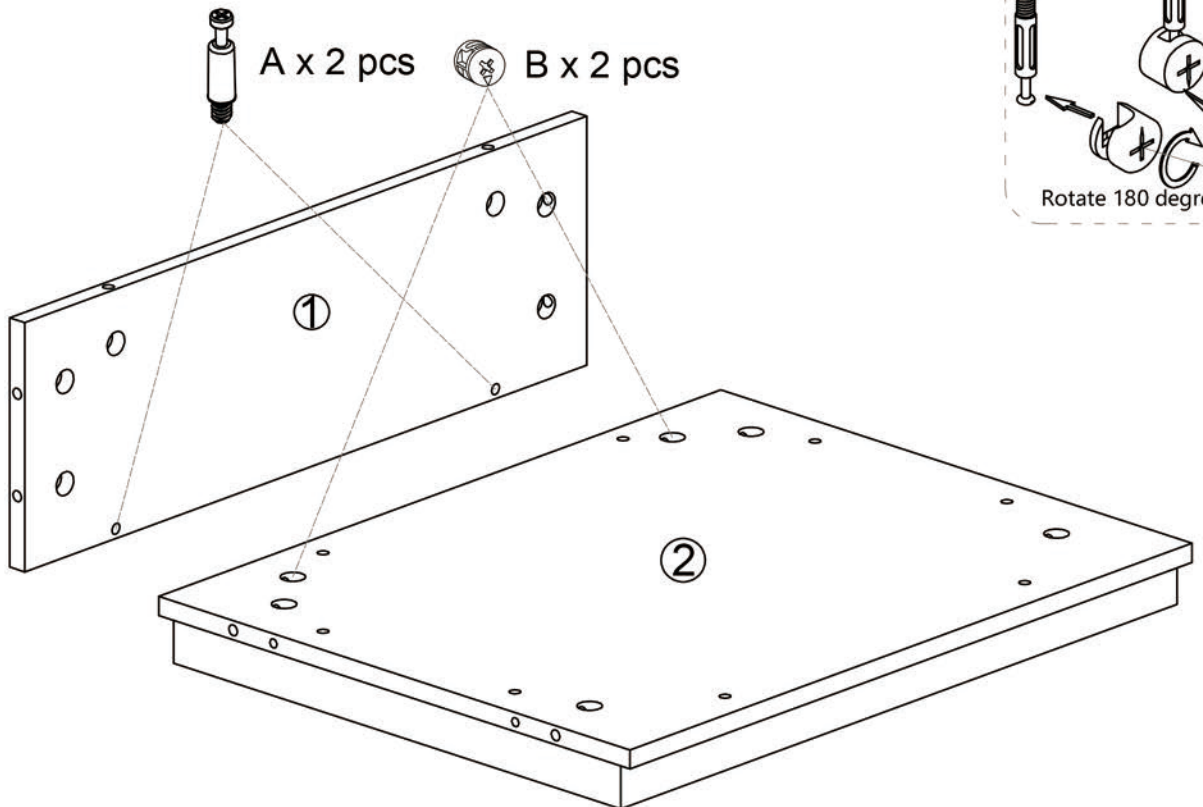
Disassembly and installation of accessories

You will need to detach the rails before starting the installation. There is a piece of plastic on the rail, push it up and pull the F2 out to split it in two.



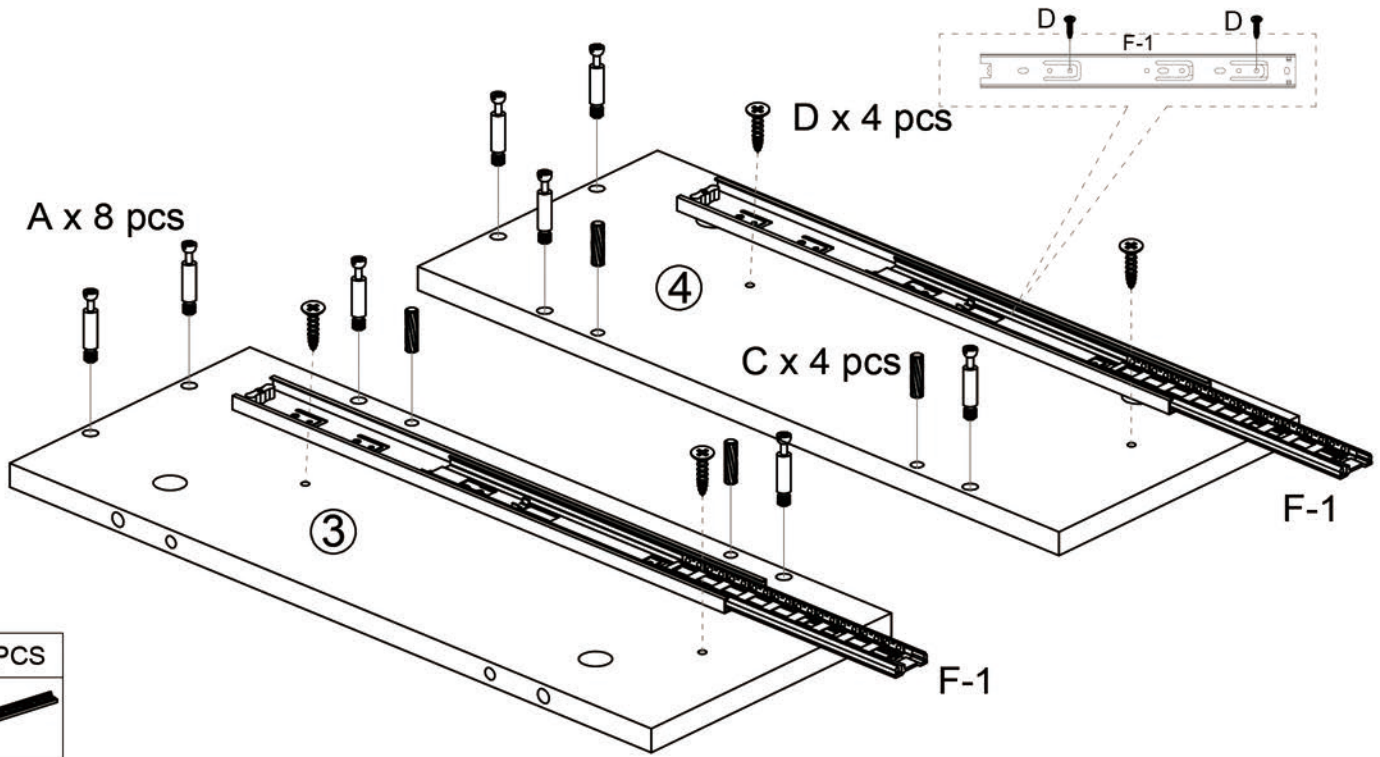
F	2 PCS
10'	

Rail separation




**2**

A	2 PCS
ø6*40mm	
B	2 PCS
ø12*10mm	

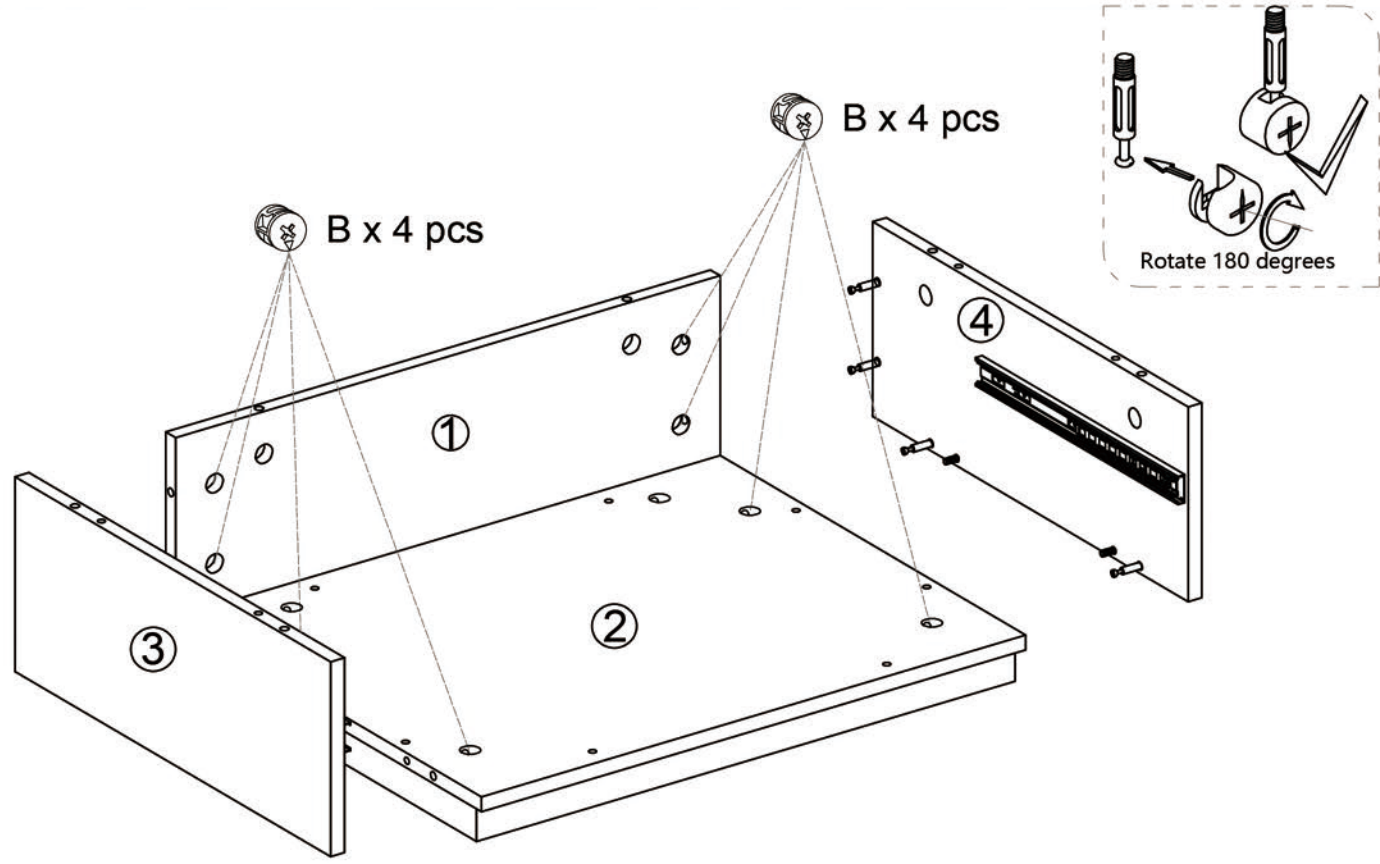
Rotate 180 degrees


3

F-1	2 PCS
	
10"	

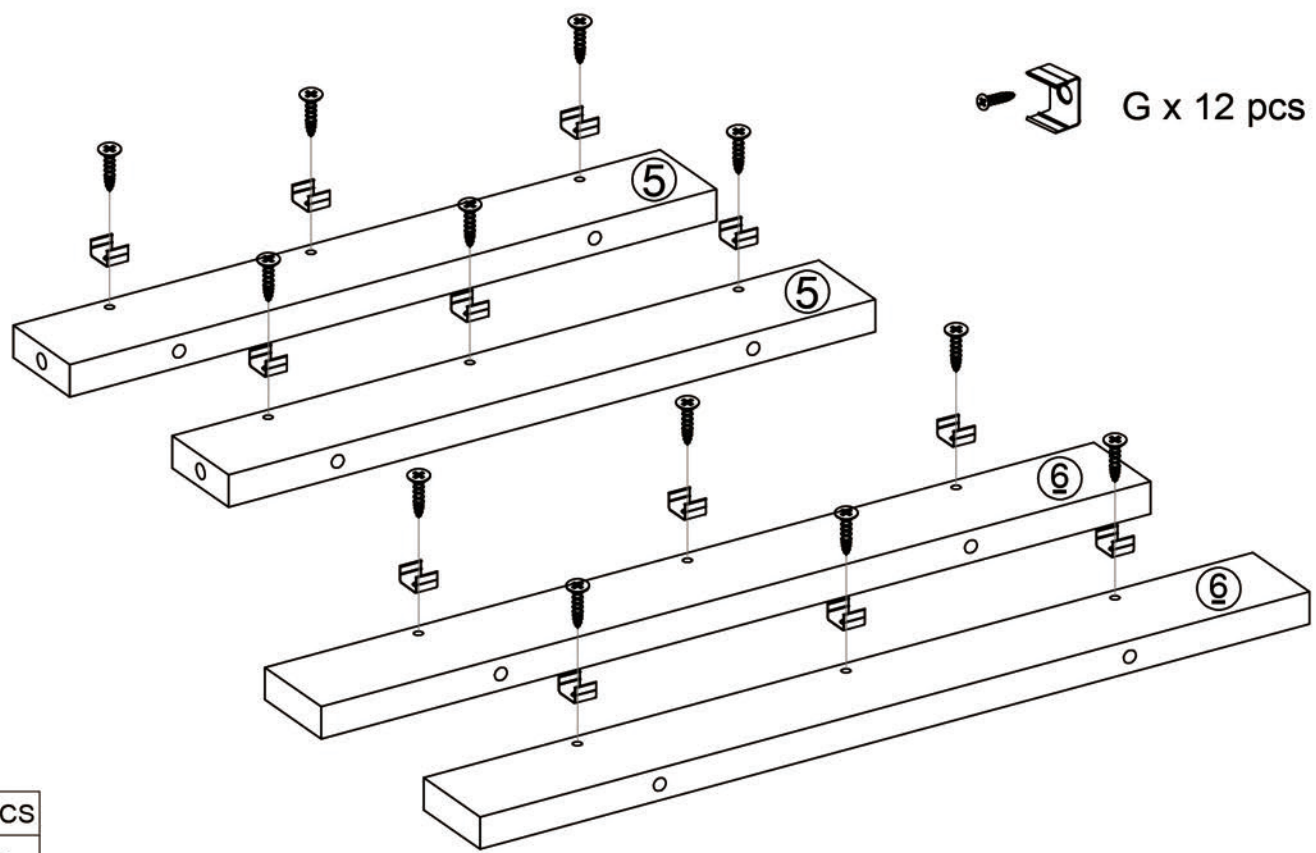
D	4 PCS	C	4 PCS	A	8 PCS
					
M3.5*12mm		φ6*30mm		φ6*40mm	

Rail F-2 installed in **21**

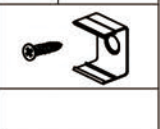
4

B	8 PCS
	
φ12*10mm	

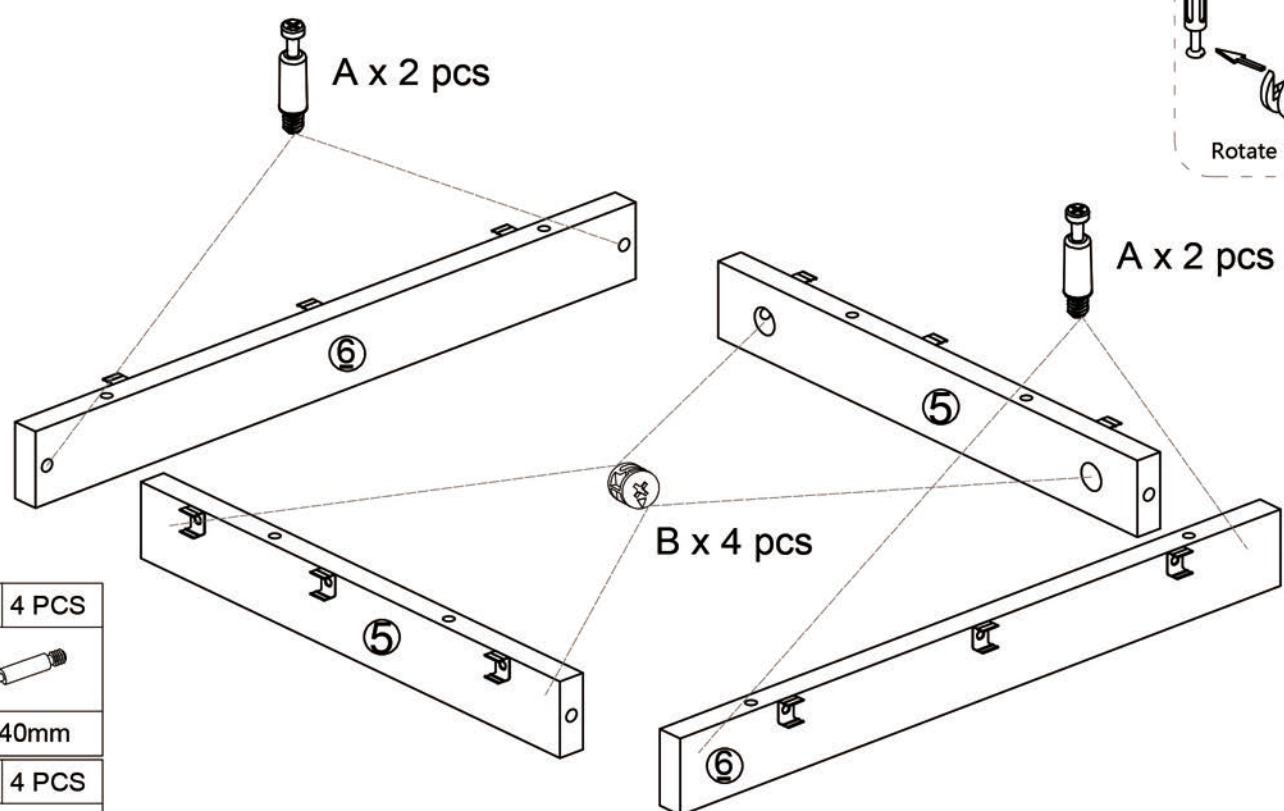
5



G 12 PCS



6



A x 2 pcs

A x 2 pcs

B x 4 pcs

Rotate 180 degrees

A 4 PCS



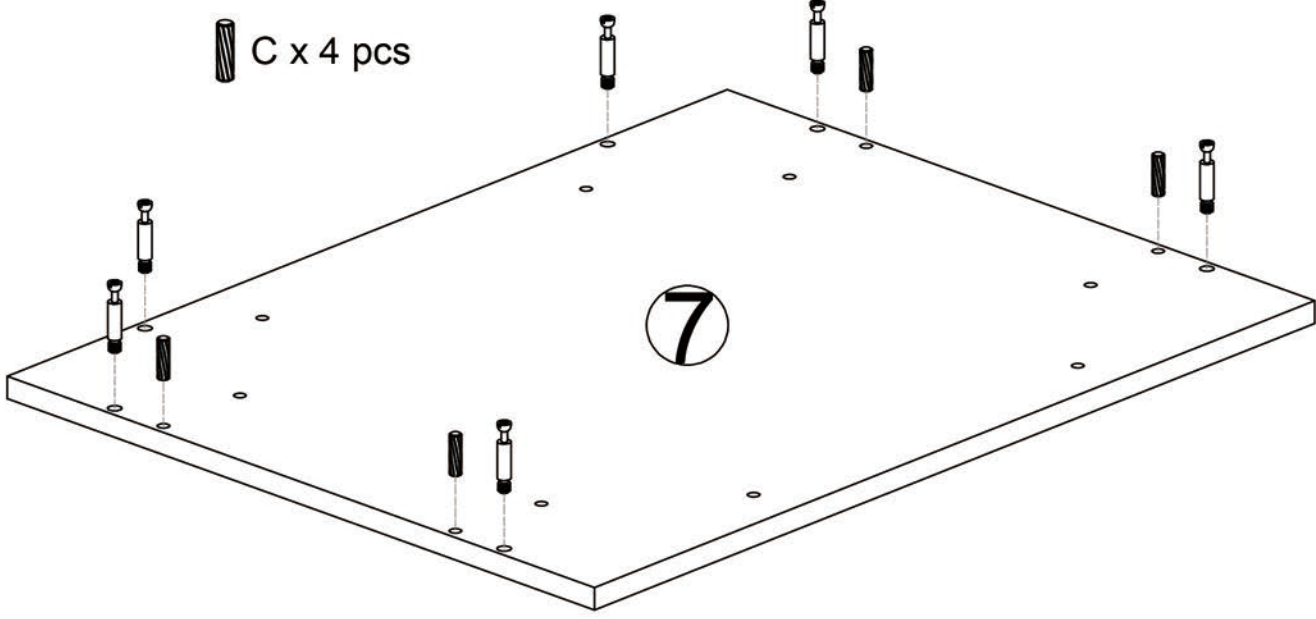
B 4 PCS





7

A x 6 pcs

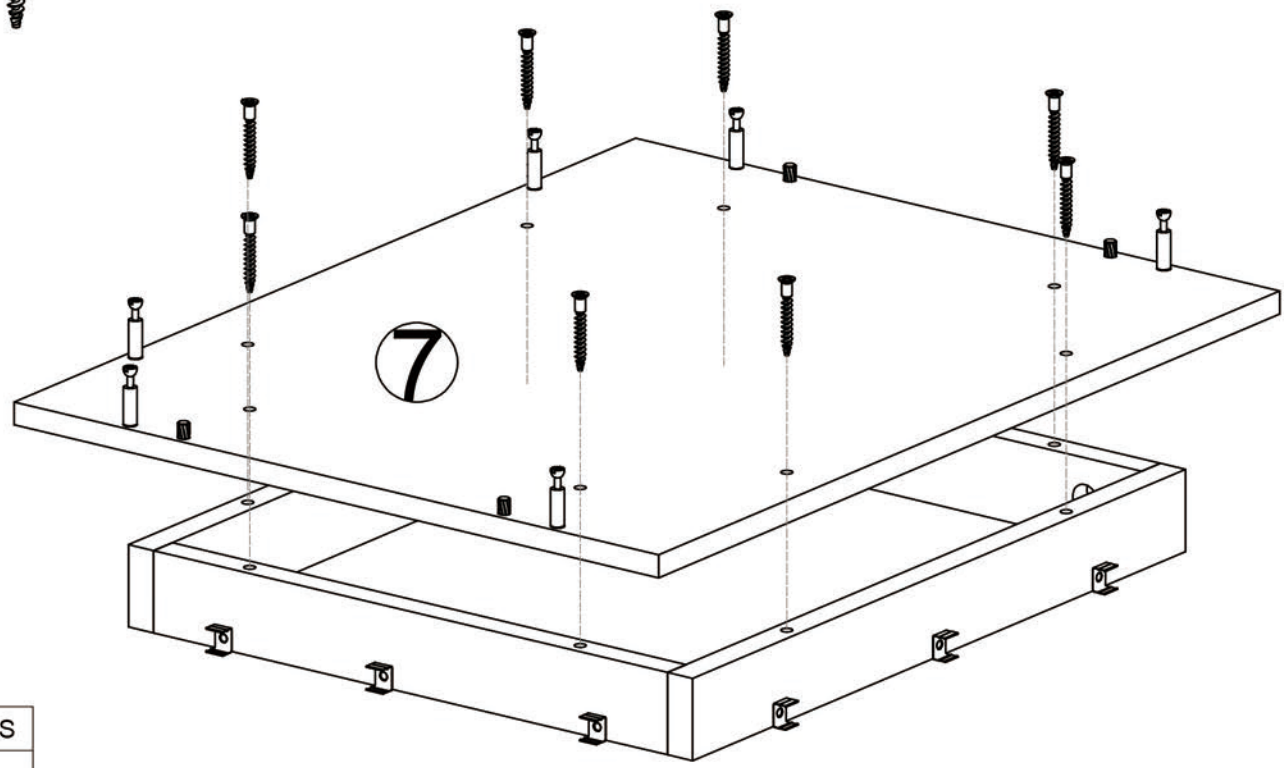
C x 4 pcs



A	6 PCS	C	4 PCS
			
Ø6*40mm		Ø6*30mm	

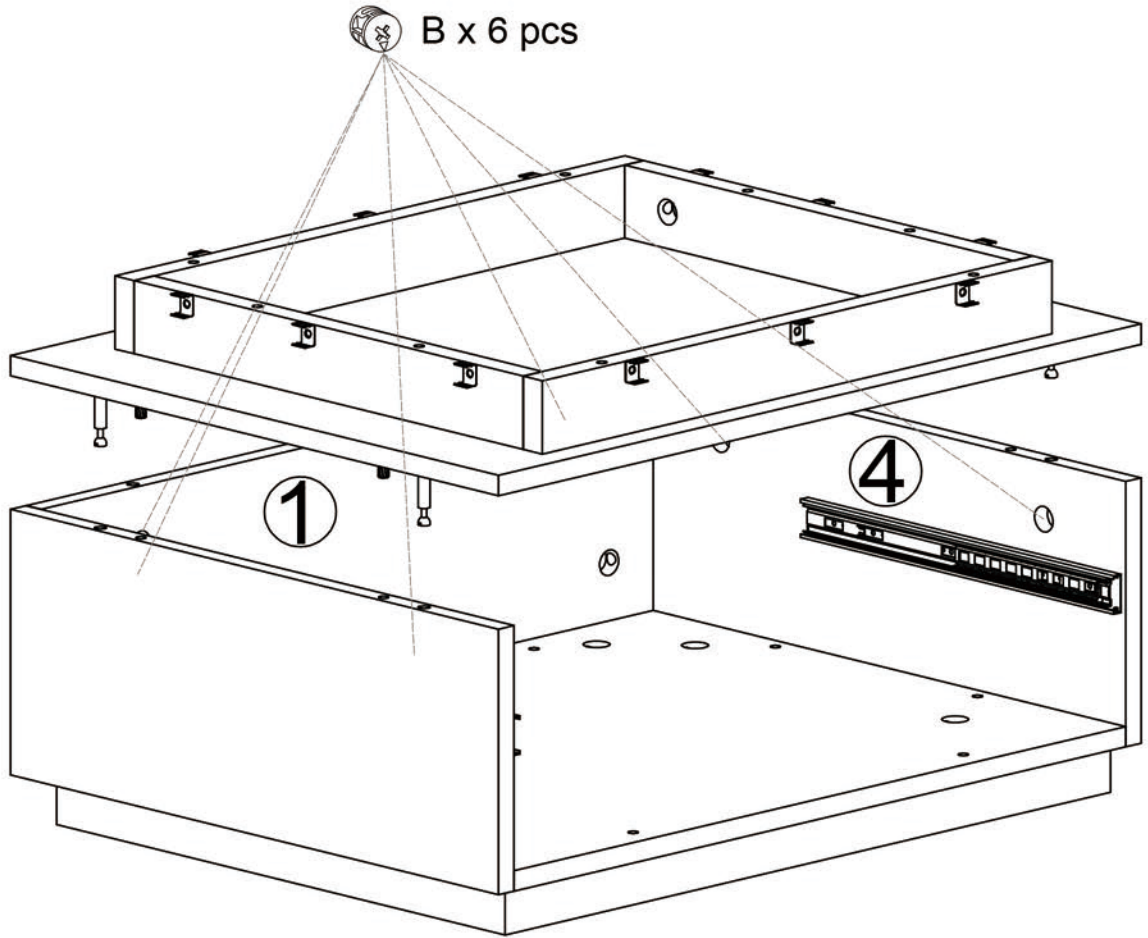
8


E x 8 pcs



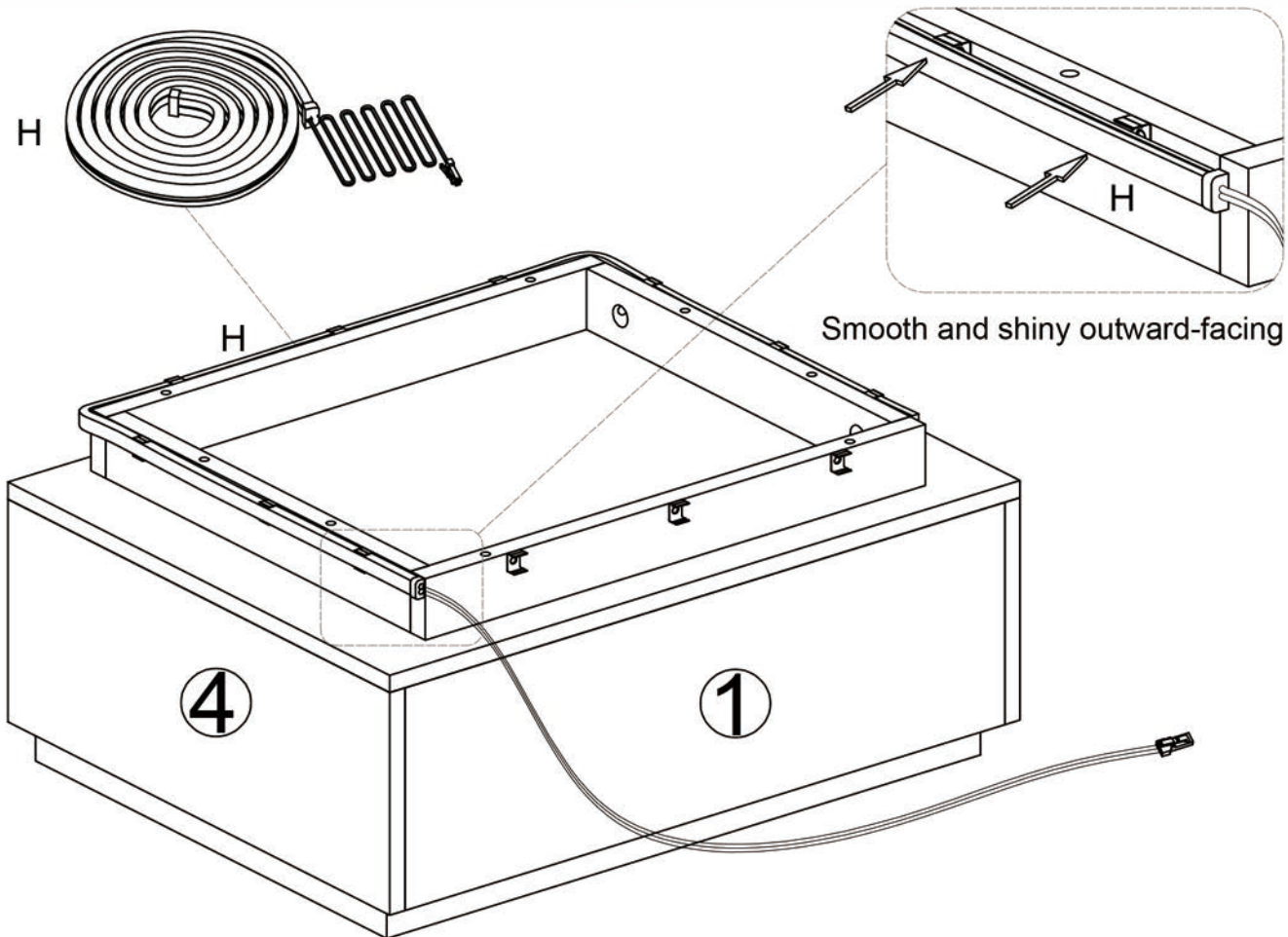
E	8 PCS
	
M7*38mm	

9



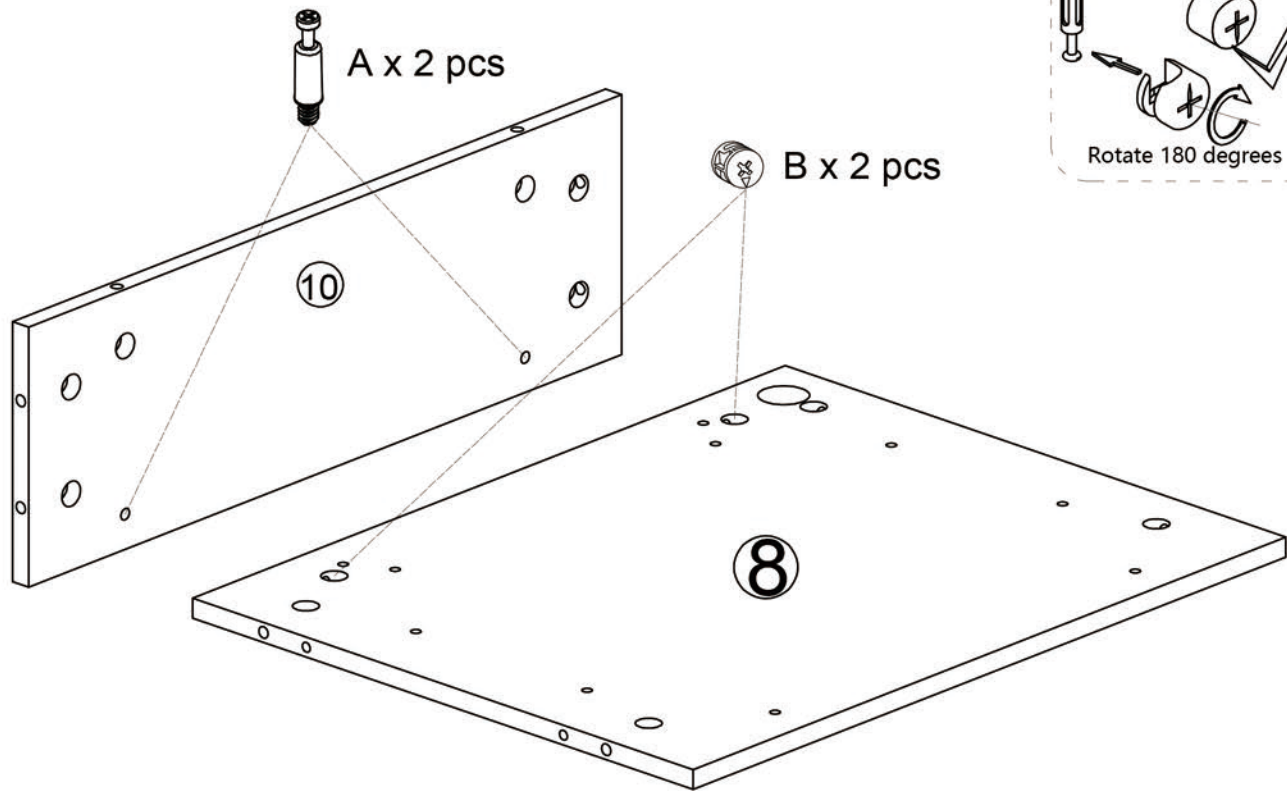
B	6 PCS
	
Ø12*10mm	

10



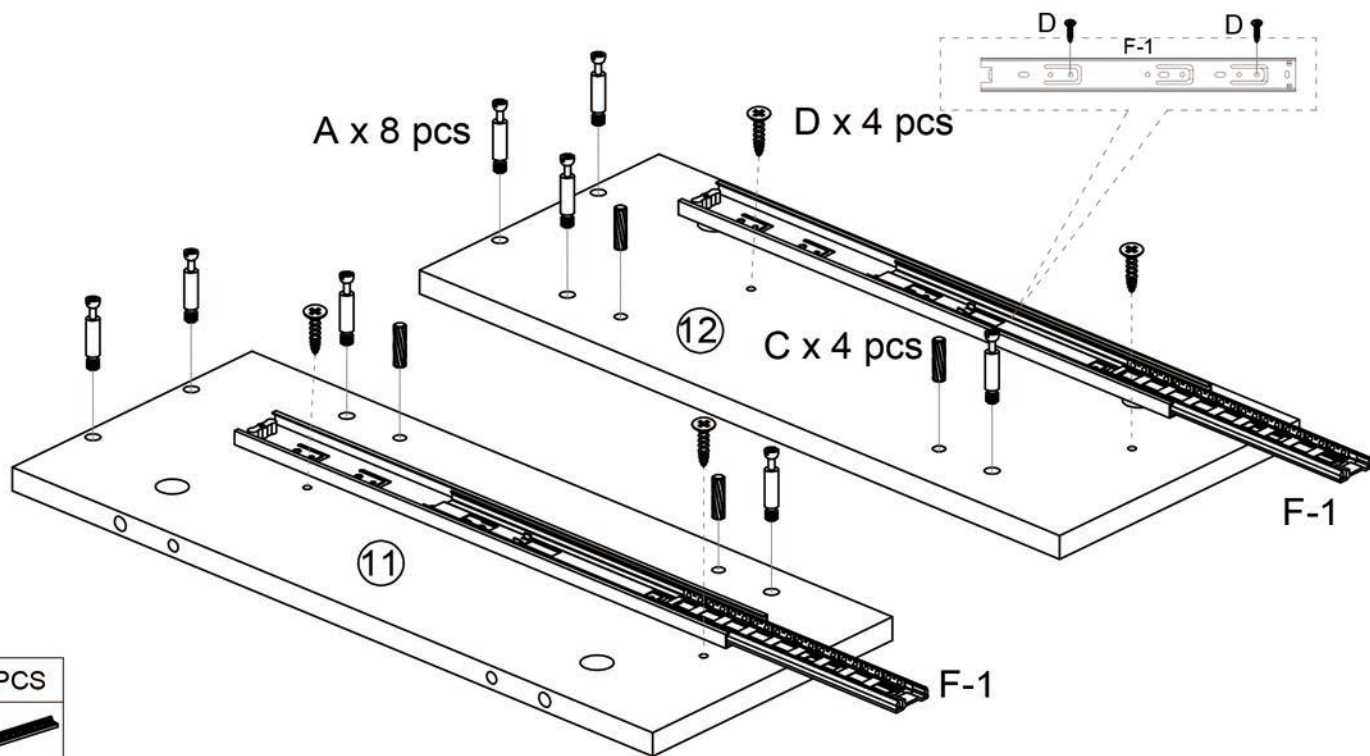
H	1 PC
	

11



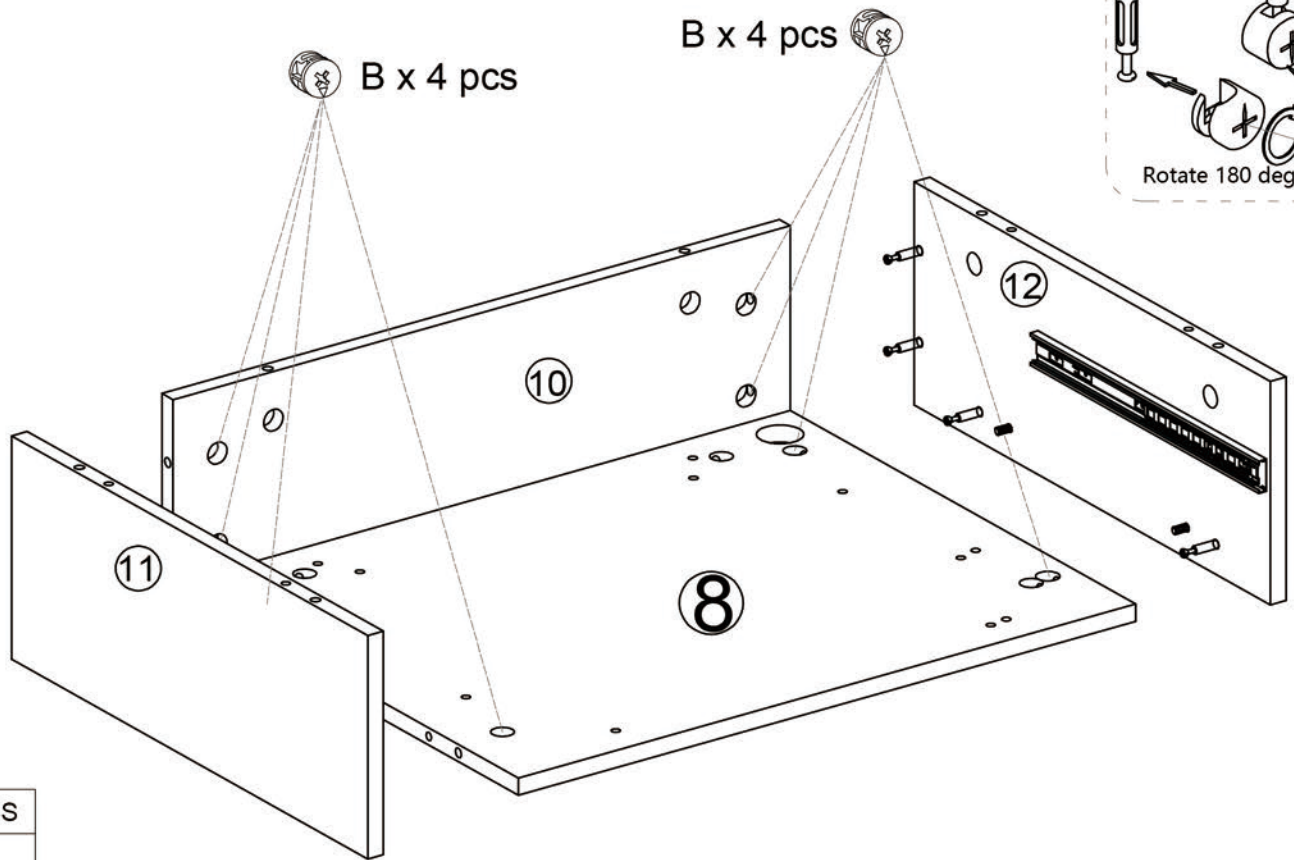
A	2 PCS
ø6*40mm	
B	2 PCS
ø12*10mm	


12



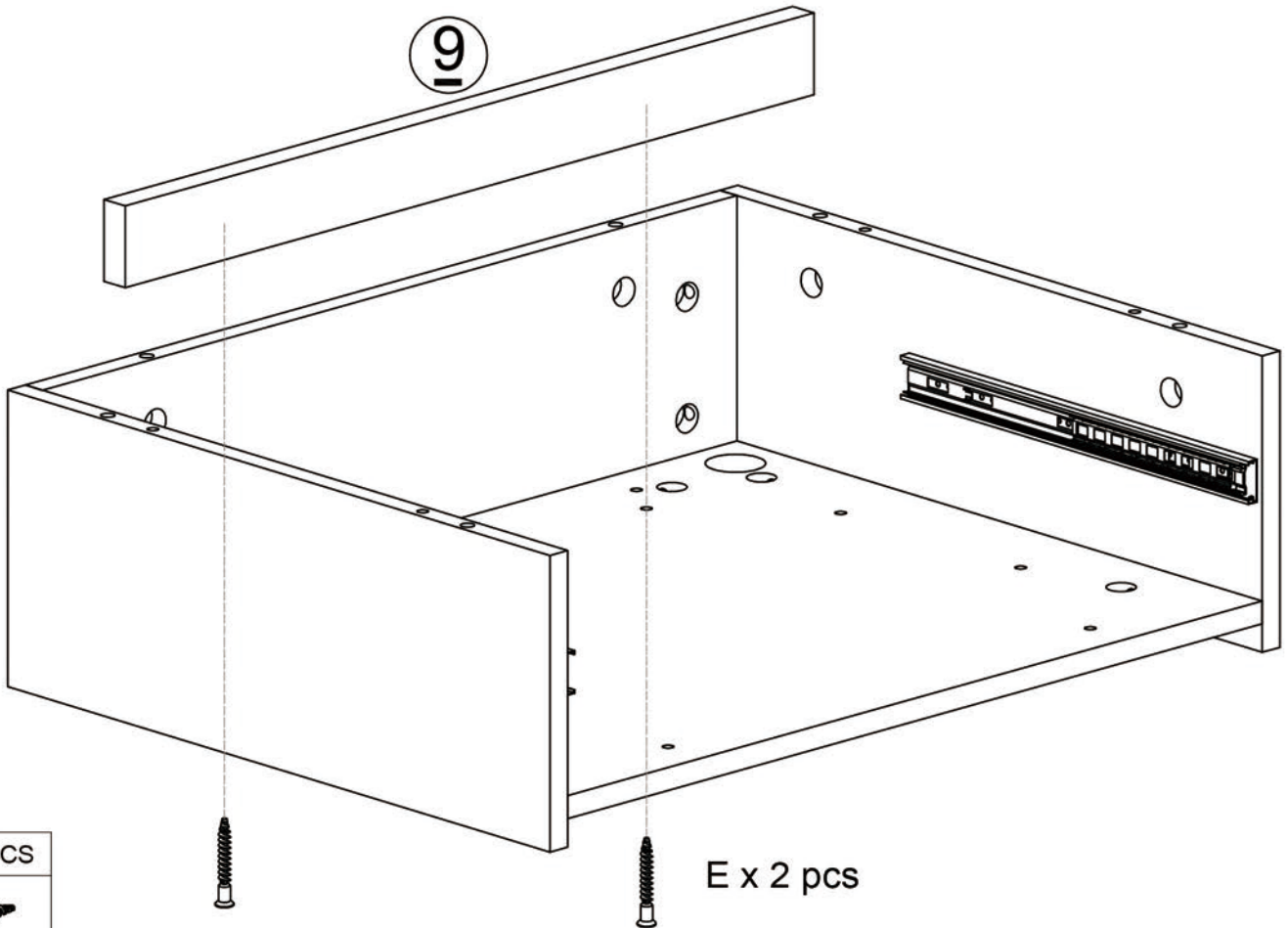
F-1	2 PCS
10"	
D	4 PCS
M3.5*12mm	
C	4 PCS
ø6*30mm	
A	8 PCS
ø6*40mm	

13



B	8 PCS
	
ø12*10mm	

14

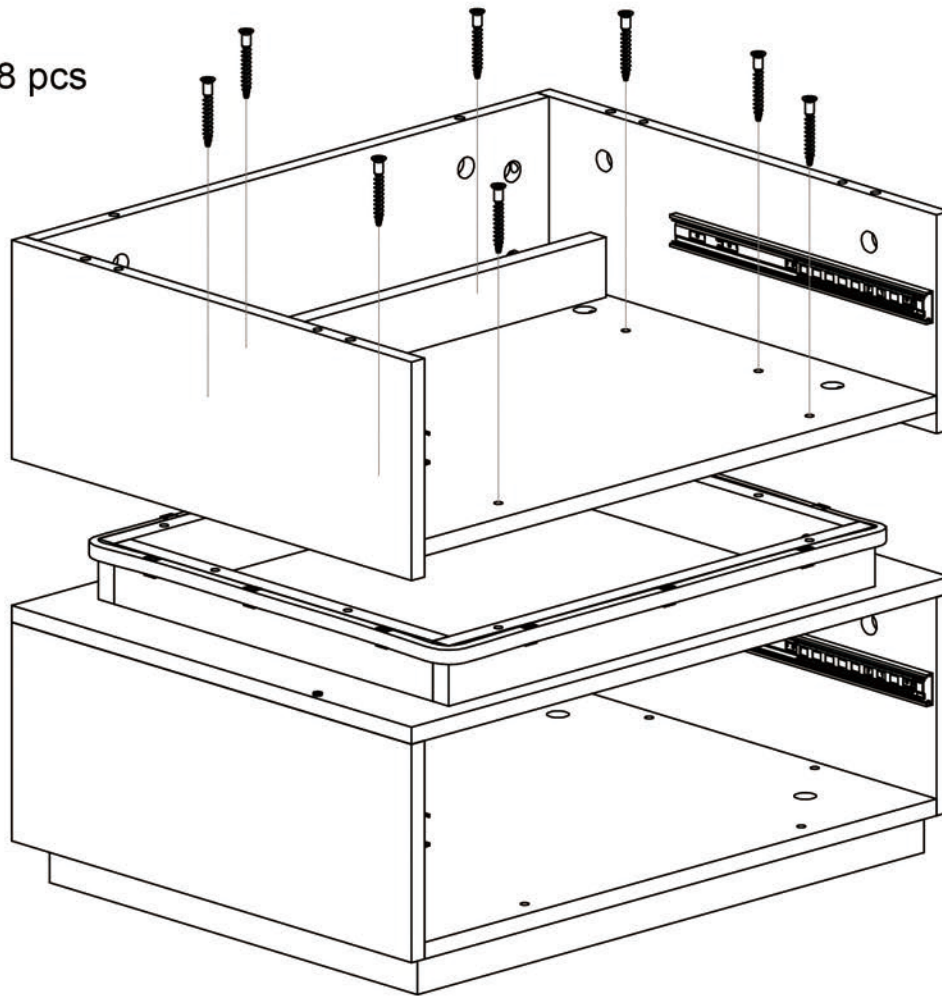


E	2 PCS
	
M7*38mm	

15



E x 8 pcs



E	8 PCS
M7*38mm	

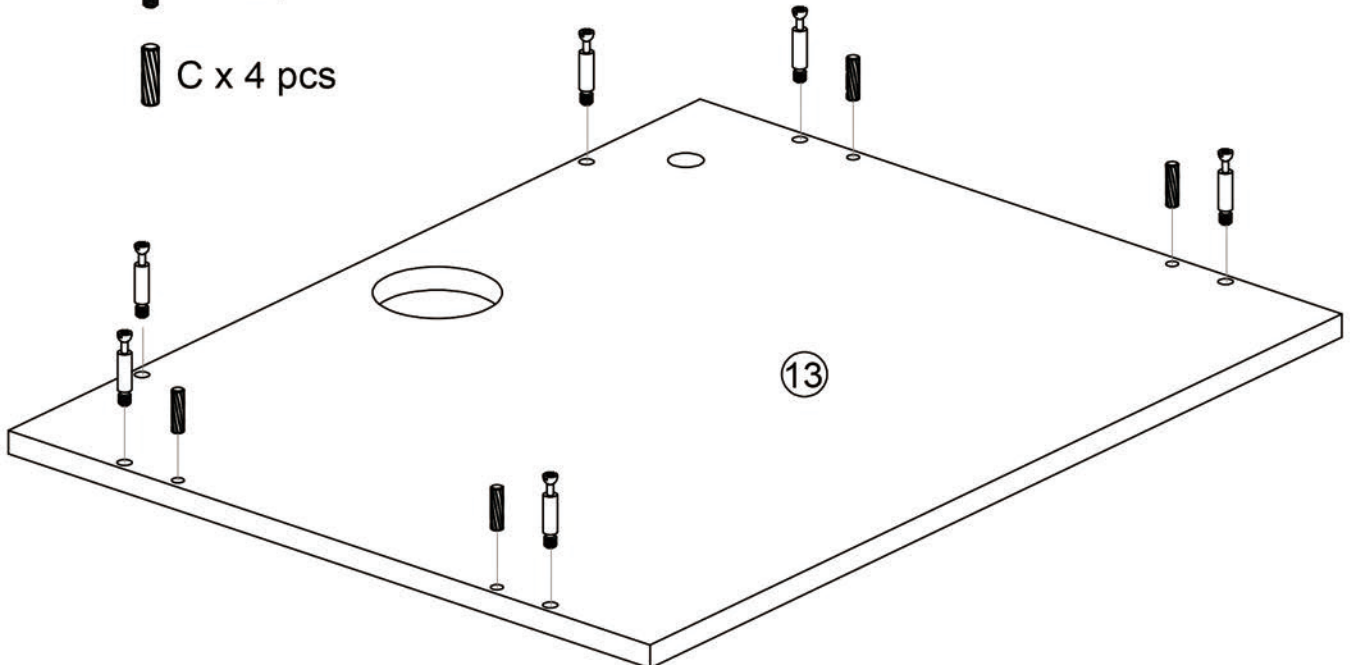
16



A x 6 pcs



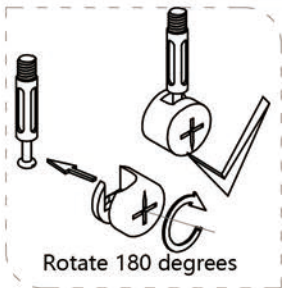
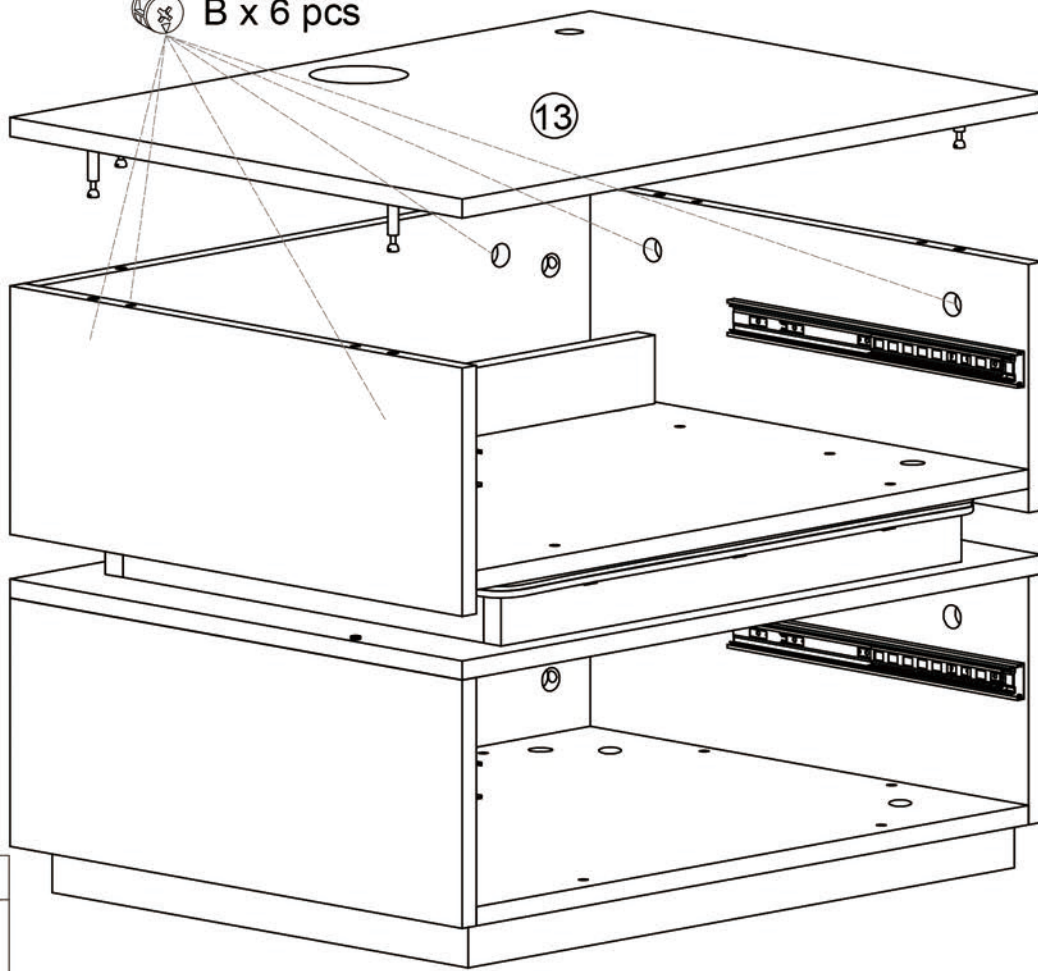
C x 4 pcs



A	6 PCS	C	4 PCS
ø6*40mm		ø6*30mm	

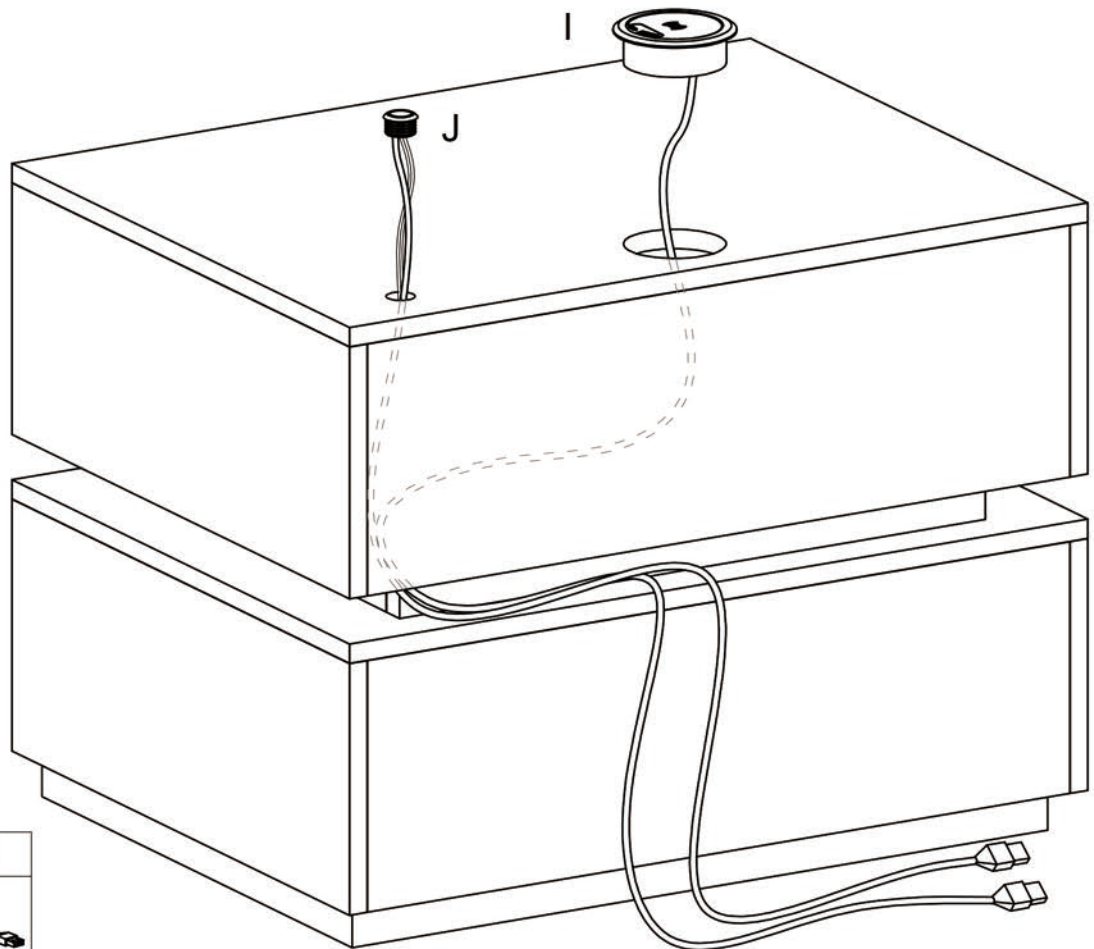
17

B x 6 pcs



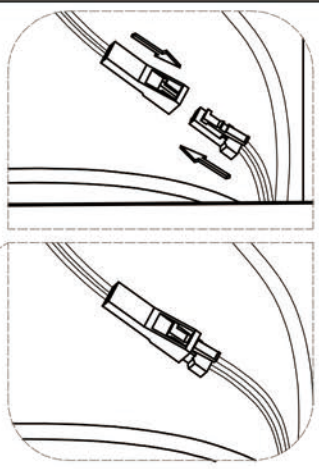
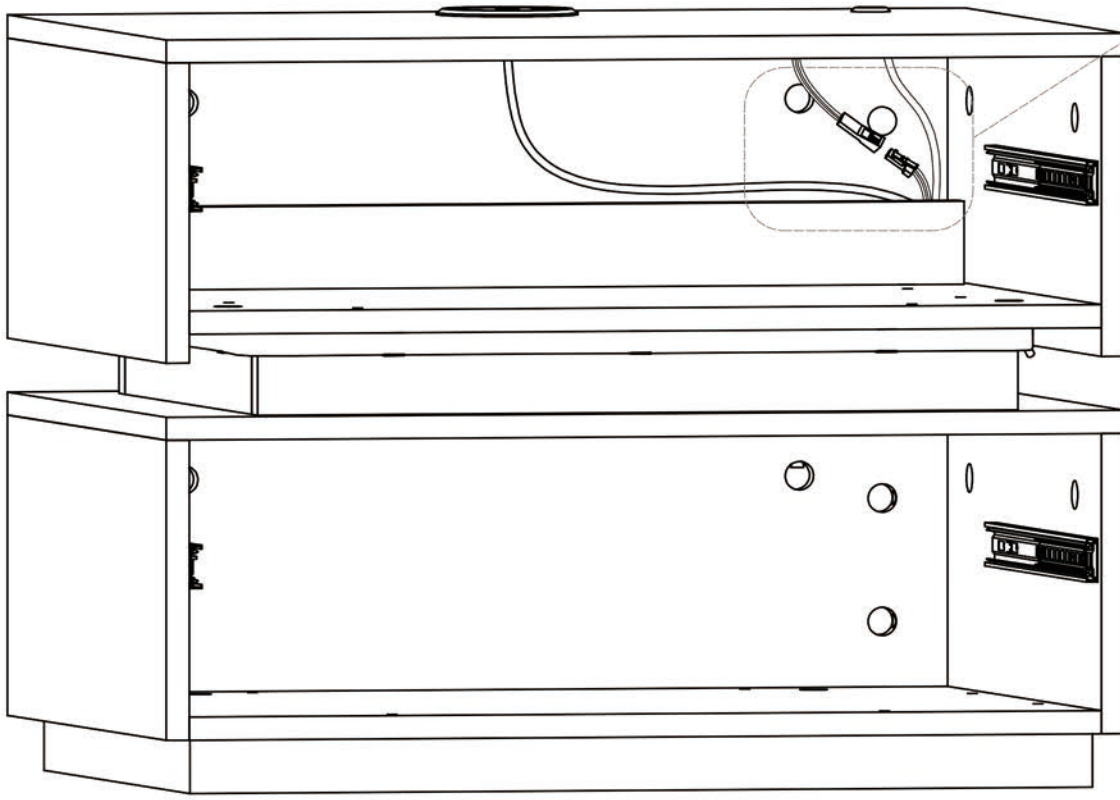
B	6 PCS
ø12*10mm	

18

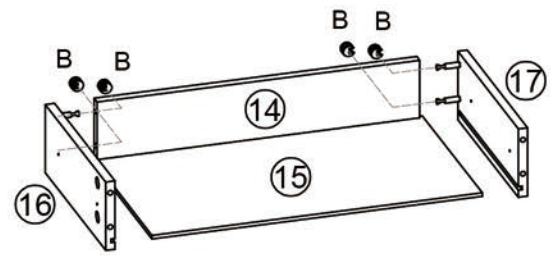
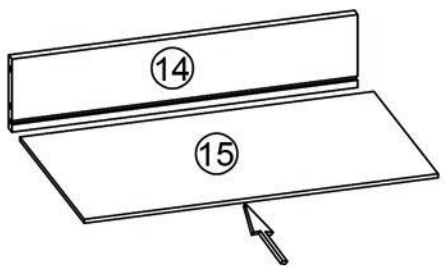
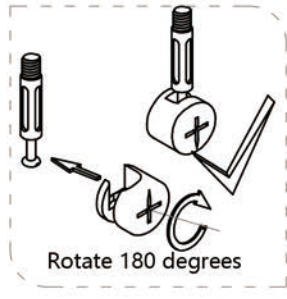
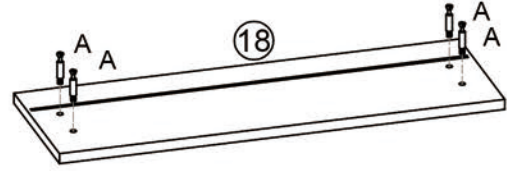
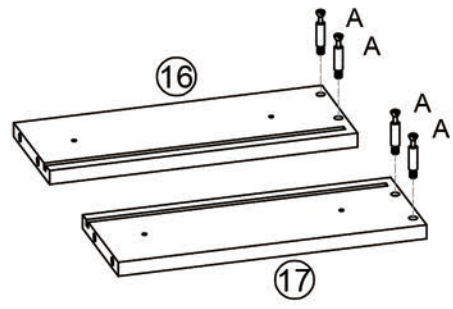




I	1 PC	J	1 PC

19

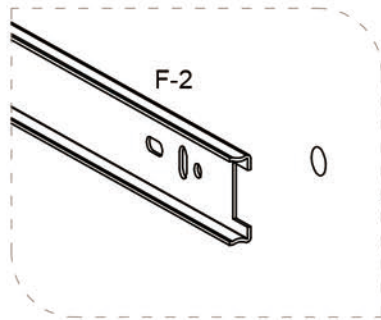
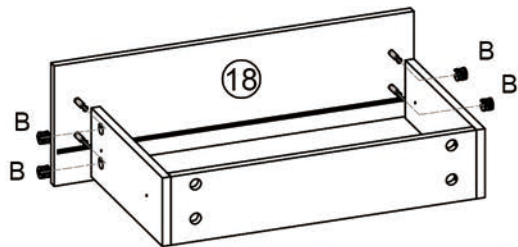


20

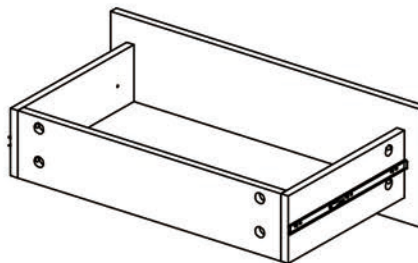
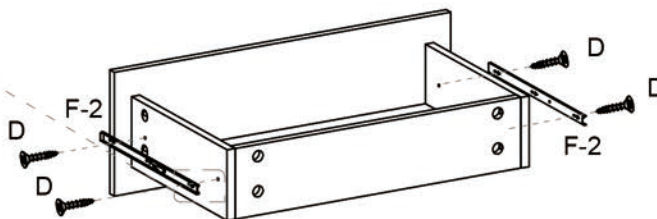


A	16 PCS	B	16 PCS
			
φ6*40mm		φ12*10mm	



21



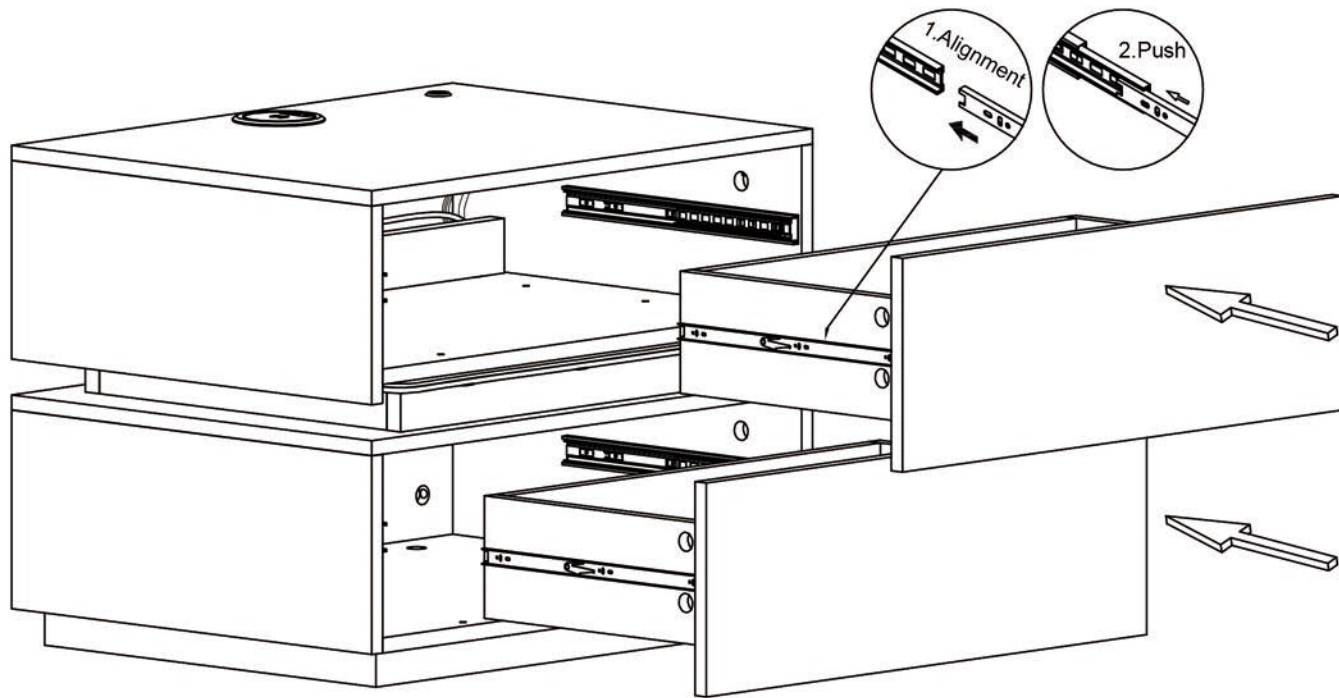
Rail F-2 opening faces outwards

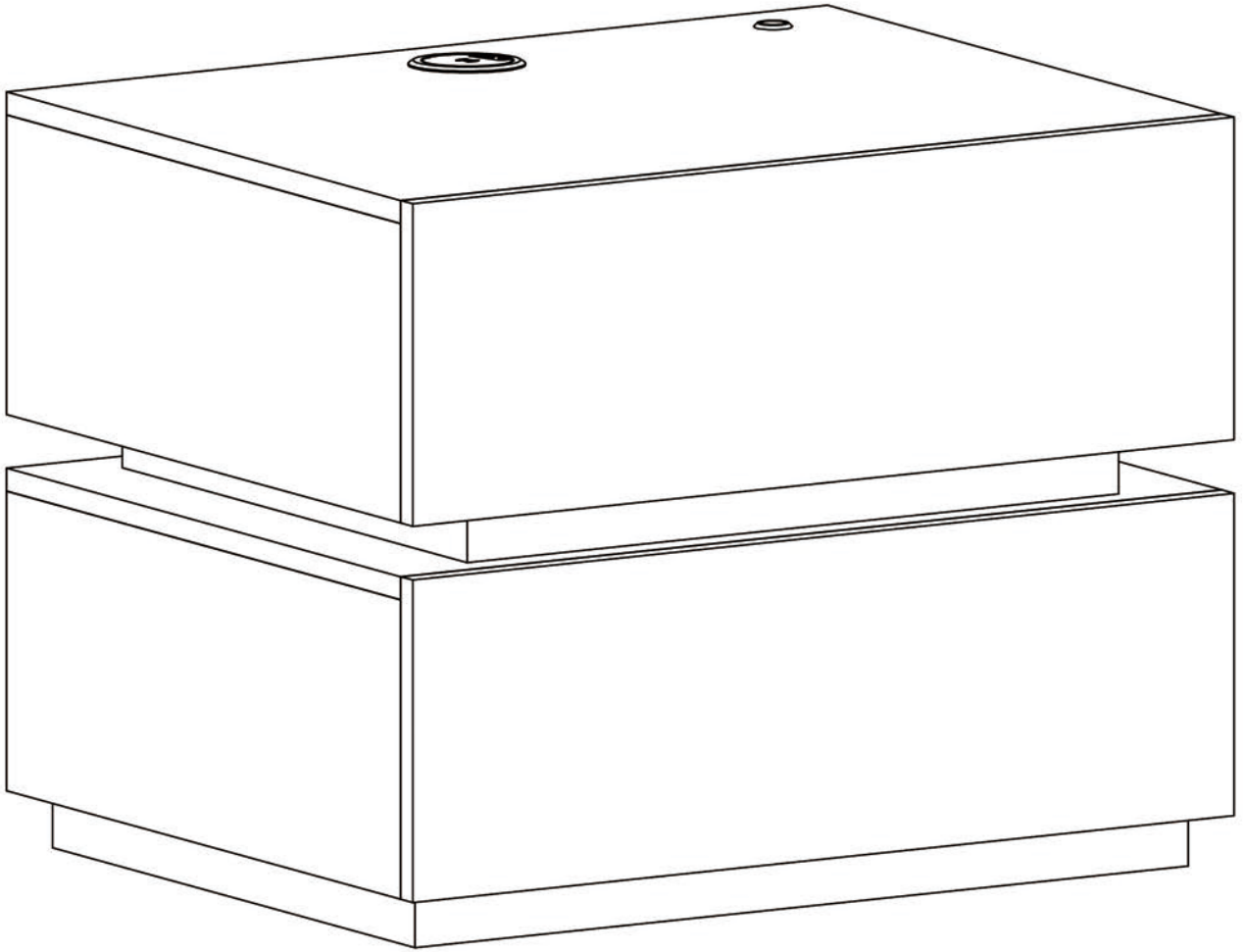


X 2

D	8 PCS	F-2	4 PCS
			
M3.5*12mm			

22





OK