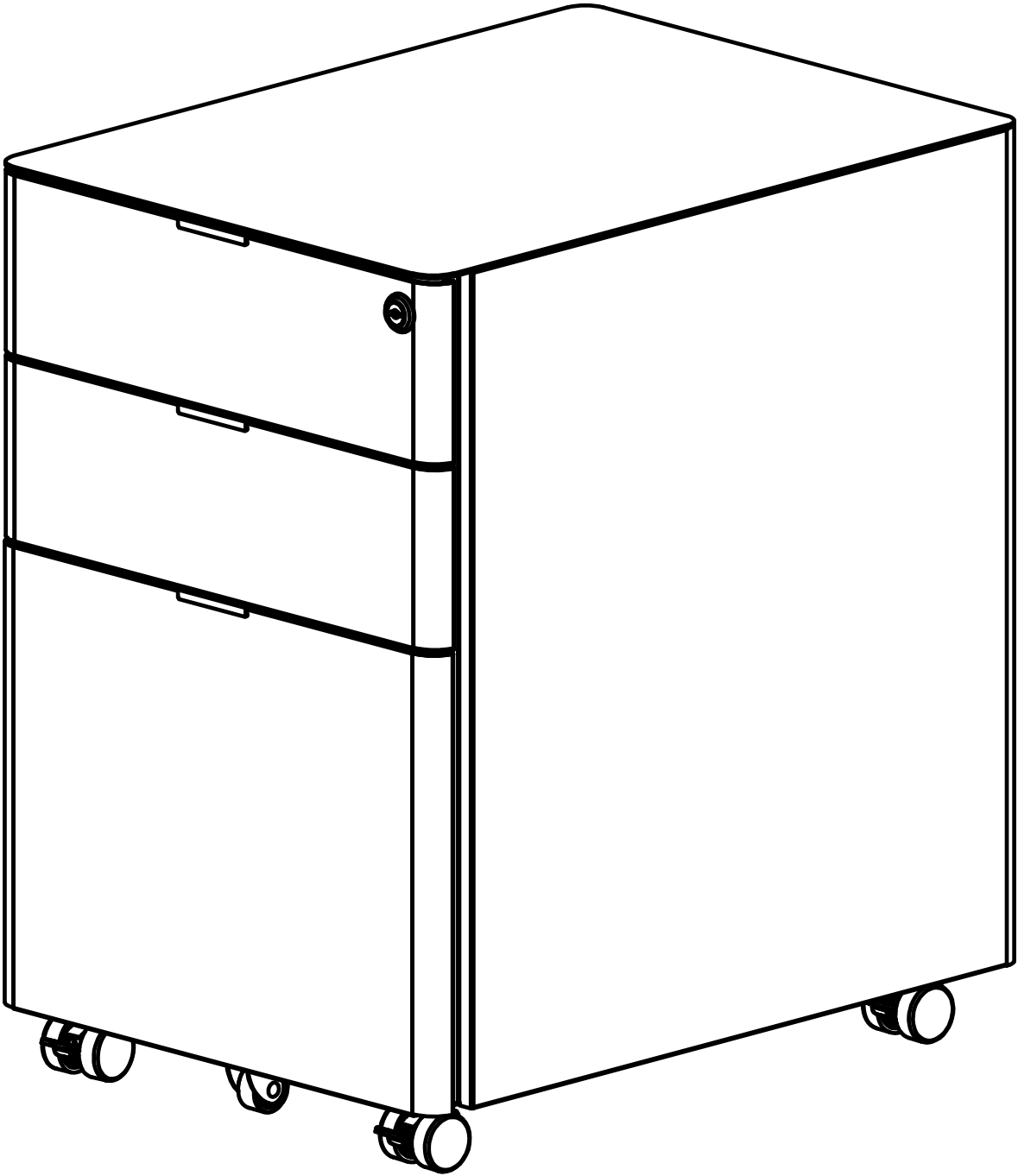


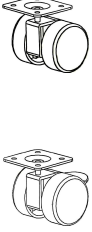
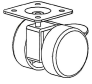


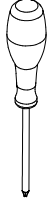

Installation & Assembly



GENERAL GUIDELINES

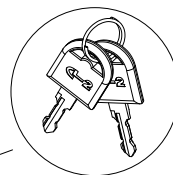
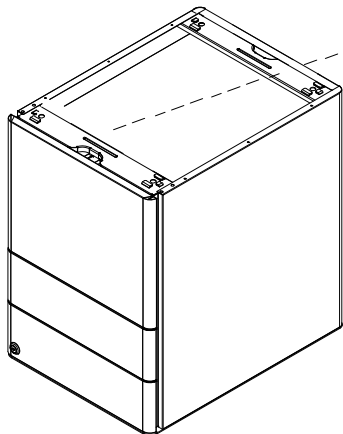
Please read the following instruction carefully and use the product accordingly.

Please contact us when further information and help are needed.

| | | | | | |
|----------------|------------------------------------------------------------------------------------------------------------------------------------------------------------------------------------|-----------------------------------------------------------------------------------------|-----------------------------------------------------------------------------------------|-------------------------------------------------------------------------------------------|-------------------------------------------------------------------------------------------|
| PARTS LIST | x2  x2  | x1  | x1  | x1  | x1  |
| PARTS LOCATION | The four parts listed above are packed in one bag inside the bottom drawer. | | | | The key is fixed at the bottom of the cabinet. |

Installation Guide

Step 1



The key is secured in a small pouch at the bottom of the cabinet.

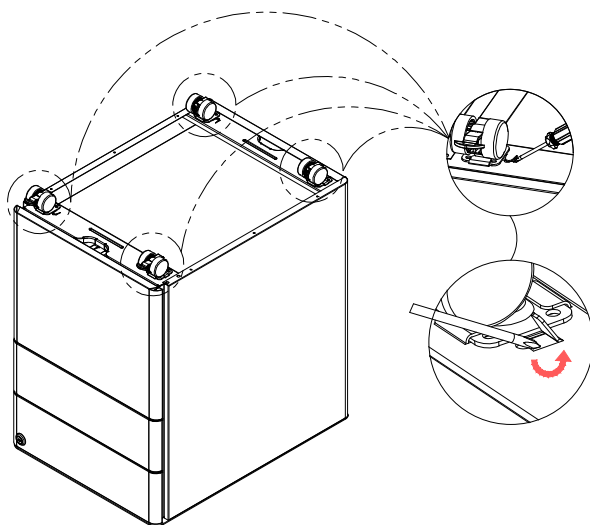
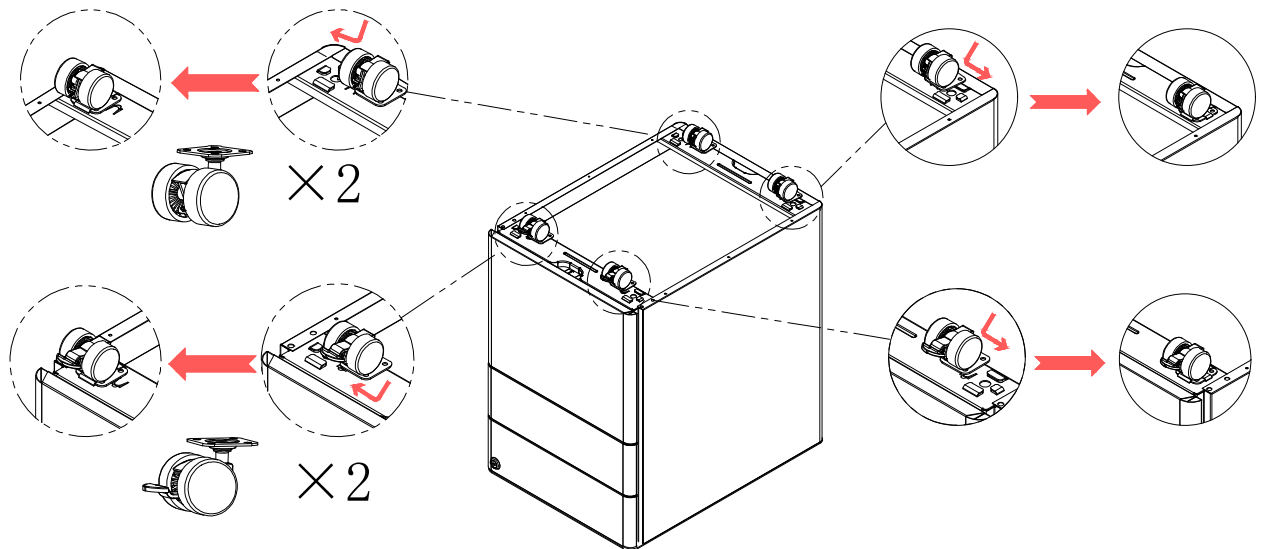
Step 2

Slide the wheels into the slots.

Install the two non-locking wheels on the rear side of the cabinet.

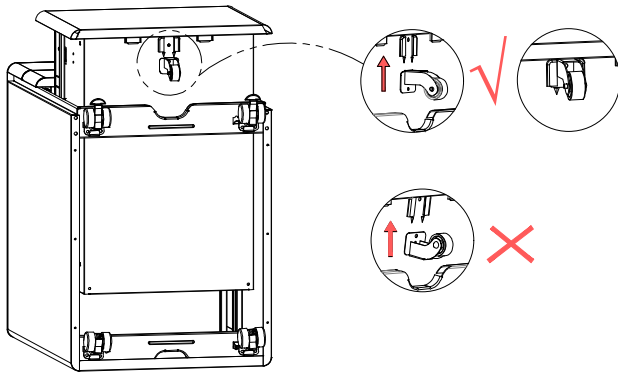
Install the two locking wheels on the front side of the cabinet.

Note: No screws are required to install these four larger wheels.



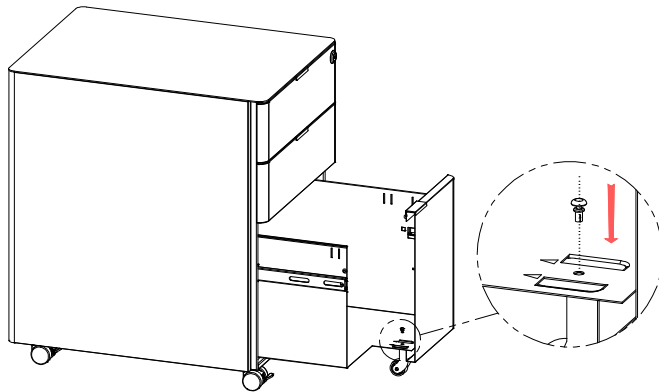
Use the screwdriver to bend the fixing tab to a 90-degree angle to secure the wheel.

Step 3




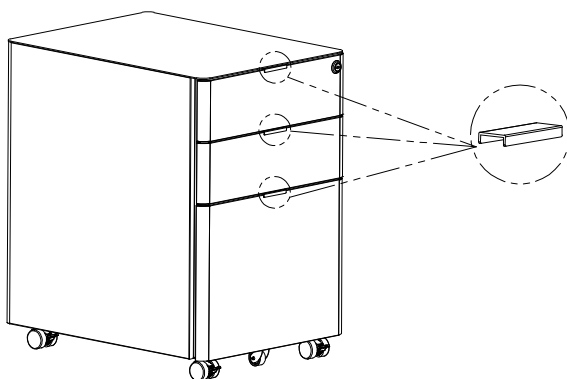
Slide the small wheel into the slot.
Note: Ensure it is facing the correct direction.

 × 1



Insert the clip from inside the drawer
to secure the wheel.

 × 1



The white plastic sleeve is packaging
material and should be discarded.