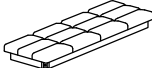
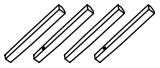


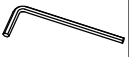





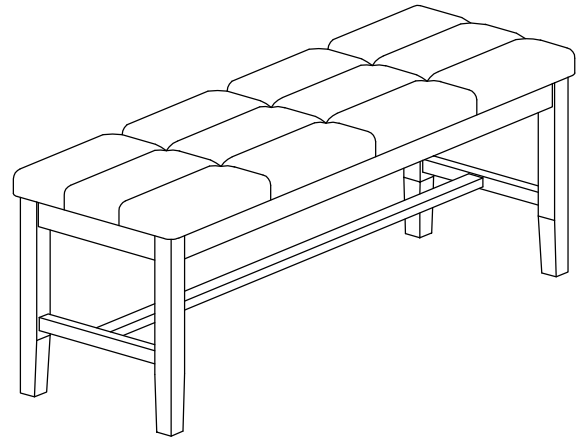


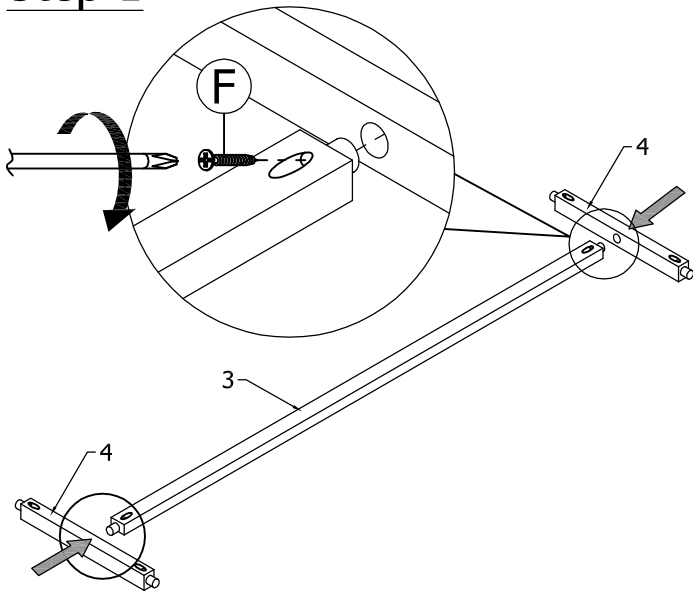
ASSEMBLY INSTRUCTIONS

Part List			
1	Cushion Seat		1 pc
2	Leg L & R		4 pcs
3	Stretcher -Long		1 pc
4	Stretcher -Short		2 pcs

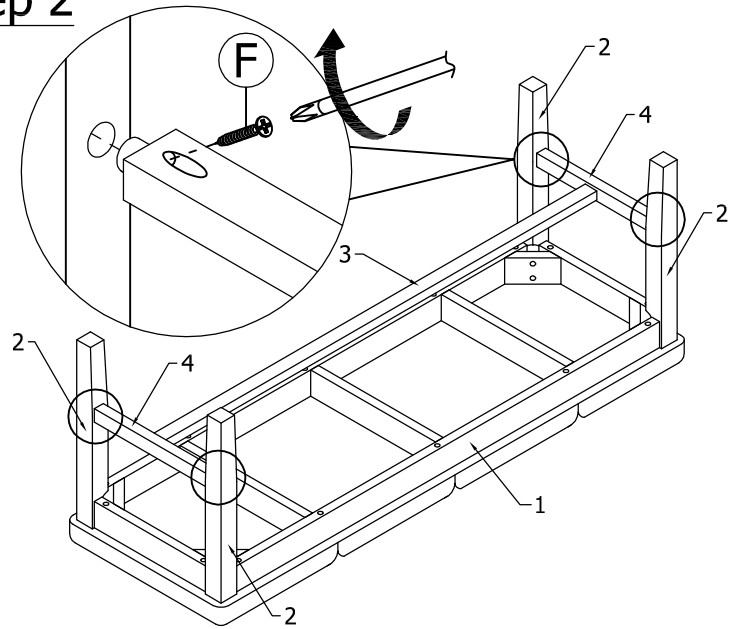
Hardware List			
A	Allen Key		1 pc
B	JCBB Screw M6 x 60mm		8 pcs
C	Spring Washer		8 pcs
D	Flat Washer		8 pcs
E	PVC Nail		4 pcs
F	CSK SCREW M4 X38MM		6 pcs



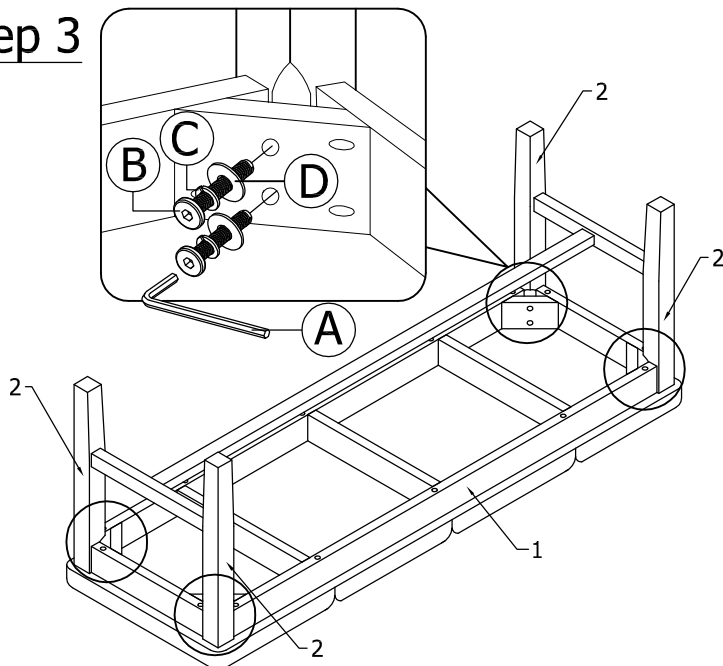
Step 1



Step 2



Step 3



Step 4

