

ASSEMBLY INSTRUCTION

VH1894-2- INDUSTRIAL CHARMS NOOK CORNER BENCH

VH8094-2- OZARKS NOOK CORNER BENCH

VH9094-2- SANDY BEACH NOOK CORNER BENCH



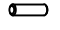


IMPORTANT SAFETY CONSTRUCTION

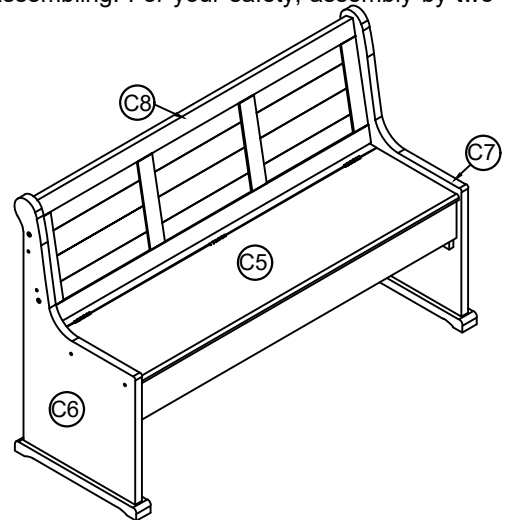
Thank you for purchasing this quality product. Be sure to check all packing material carefully for small parts that may have come loose inside the carton during shipment. Please read all instruction carefully before assembling. For your safety, assembly by two people is recommended.

PARTS INCLUDED:

- (1) Long Seat Bench (C5)
- (1) Left Leg (C6)
- (1) Right Leg (C7)
- (1) Long Backrest (C8)
- (1) Corner Seat (C9)
- (1) Corner Top Shelf (10)

HARDWARE ENCLOSED:

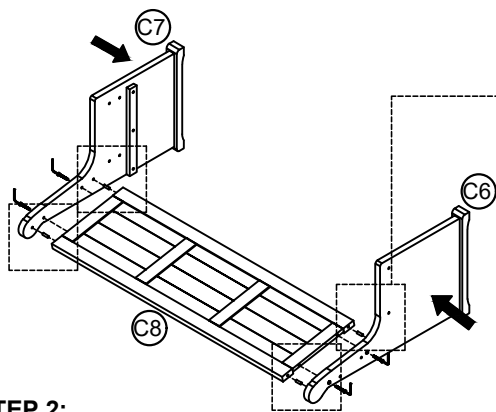
- A x 4  Ø6 x 50mm
- B x 8  Ø6 x 35mm
- C x 4  Ø8 x 30mm
- D x 1  M4
- E x 8  Ø6 x 35mm



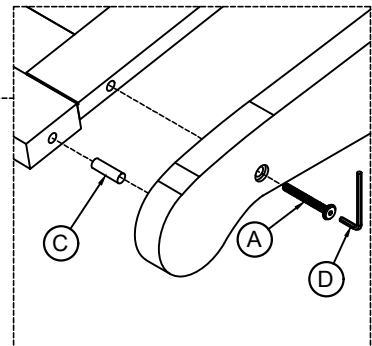
ASSEMBLY INSTRUCTIONS

STEP 1:

- Carefully place Left Leg (C6) and Right Leg (C7) on a smooth flat surface to avoid scratches.
- Attached Wooden Dowel (C) to the Long Backrest (C8); and then Assemble to the Leg (C6) & (C7) by inserting Bolts (A) (See details A).
- DO NOT fully tighten at this stage until all parts are in place.

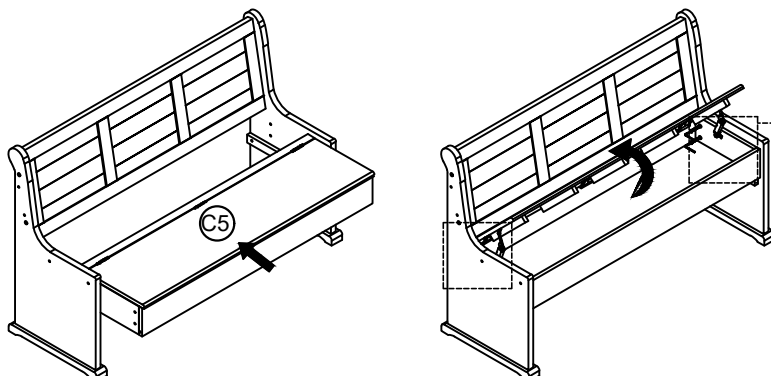


Detail A

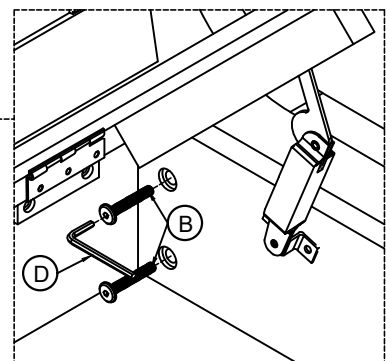


STEP 2:

- Carefully turn up the Legs and Backrest per illustration.
- Attached the Seating Bench (C5) to the Legs by using the Bolt (B).
- Fully tighten all bolts once all parts are in place.



Detail B



NOTES:

The use of power tools for assembly is not recommended. Power tools can damage hardware or split wood.