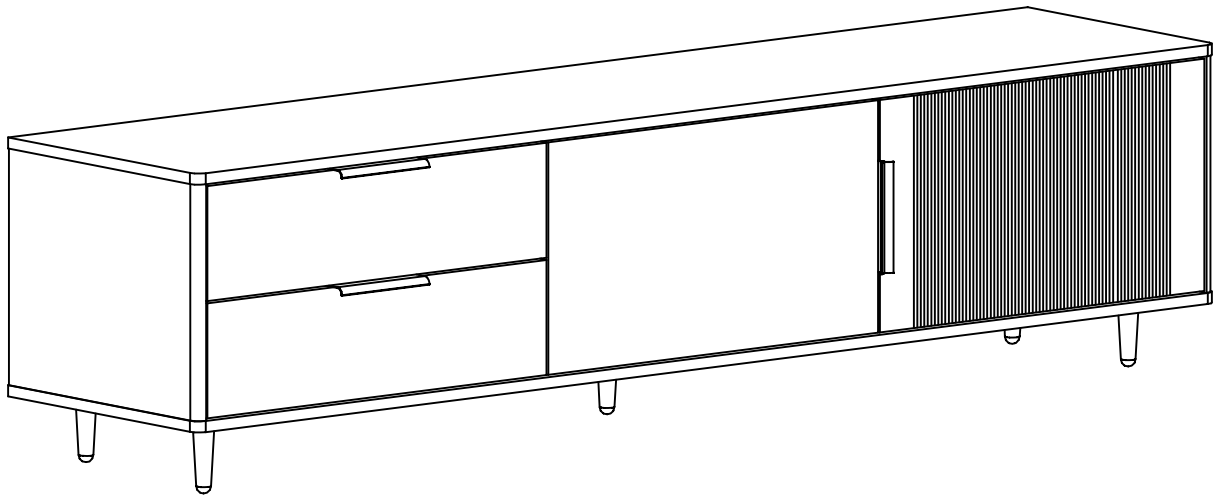


TV Cabinet

Assembly Instructions - Please keep for future reference



Dimensions

Width-68.89inch

Depth-15.74inch

Height-17.71inch

Important – Please read these instructions fully before starting assembly



Safety and Care Advice

Important – Please read these instructions fully before starting assembly

- Check you have all the components and tools listed on the following pages.
- Remove all fittings from the plastic bags and separate them into their groups.
- Keep children and animals away from the work area, small parts could choke if swallowed.
- Make sure you have enough space to layout the parts before starting.

- During assembly do not stand or put weight on the product, this could cause damage.
- Assemble the item as close to its final position (in the same room) as possible.
- Assemble on a soft level surface to avoid damaging the unit or your floor.
- Parts of the assembly will be easier with 2 people.



- To reduce the likelihood of damaging your product please ensure that your power drill is set on a low torque setting.

Care and maintenance

- Only clean using a damp cloth and mild detergent, do not use bleach or abrasive cleaners.
- From time to time check that there are no loose screws on this unit.
- This product should not be discarded with household waste. Take to your local authority waste disposal centre.

Handy Hints

- Assemble all parts and bolts loosely during assembly, only once the product is complete should you fully tighten the bolts
- Regularly check and ensure That all bolts and fittings are tightend properly.

WARNING
In order to help prevent overturning – please follow these instructions

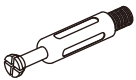

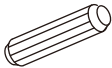

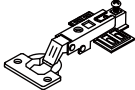
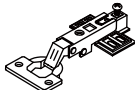
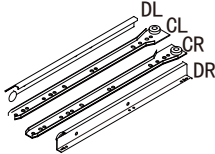
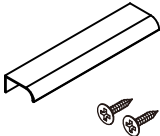



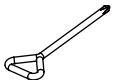
To help prevent product toppling over please follow the below steps:-

- Use the anti tip stap or wall fixing method provided (if applicable)
- Do not allow children to climb or hang on the furniture
- Do not open more than one drawer at a time
- Do not place heavy items in the top drawers
- Do not place heavy items on top of the furniture, unless the furniture has been designed for this purpose

Components-Fittings

Please check you have all the panels listed below

Note: The quantities below are the correct amount to complete the assembly. In some cases more fittings may be supplied than are required.

<p>(A)</p>  <p>Cam Bolt x 24+2</p>	<p>(B)</p>  <p>Cam Lock x 24+2</p>	<p>(C)</p>  <p>8*30mm Dowel x 16+2</p>	<p>(D)</p>  <p>5*40mm Screw x 16+2</p>
<p>(E)</p>  <p>Large bend hinge x 2</p>	<p>(F)</p>  <p>Mid-bend hinge x 2</p>	<p>(G)</p>  <p>300mm Drawer slide x 2</p>	<p>(H)</p>  <p>Gold hidden handle x 4</p>
<p>(J)</p>  <p>100mm Support Foot x 5</p>	<p>(K)</p>  <p>3.5*14mm Screw x 60+3</p>	<p>(L)</p>  <p>Back panel buckle x 8</p>	<p>(M)</p>  <p>Screwdriver x 1</p>

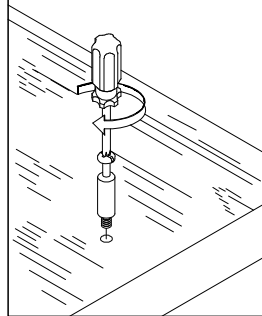
Using Camlocks

Step 1

Connect the male camlock as directed in the assembly instructions using a screwdriver.

1

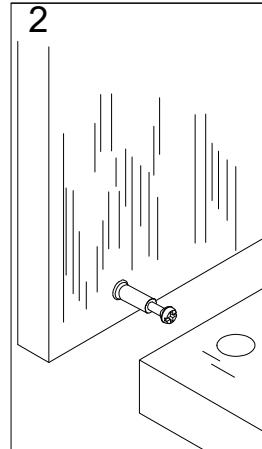
DO NOT OVER TIGHTEN.
NE PAS SERRER EXCESSIVEMENT.



Step 2

Push the male camlock into the entry hole.

2

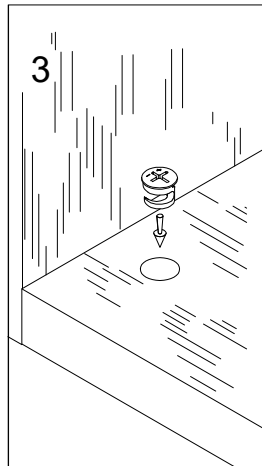


Step 3

Insert the female camlock as shown in the instruction.

Note: ensure that the arrow on the top of the camlock points towards the entry hole for the male camlock.

3



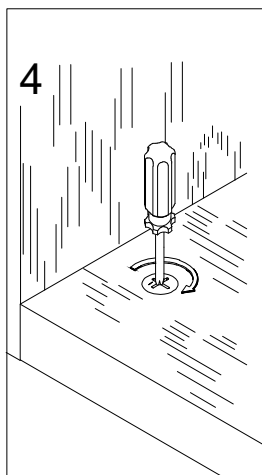
Step 4

Turn the female camlock clockwise with a screwdriver.

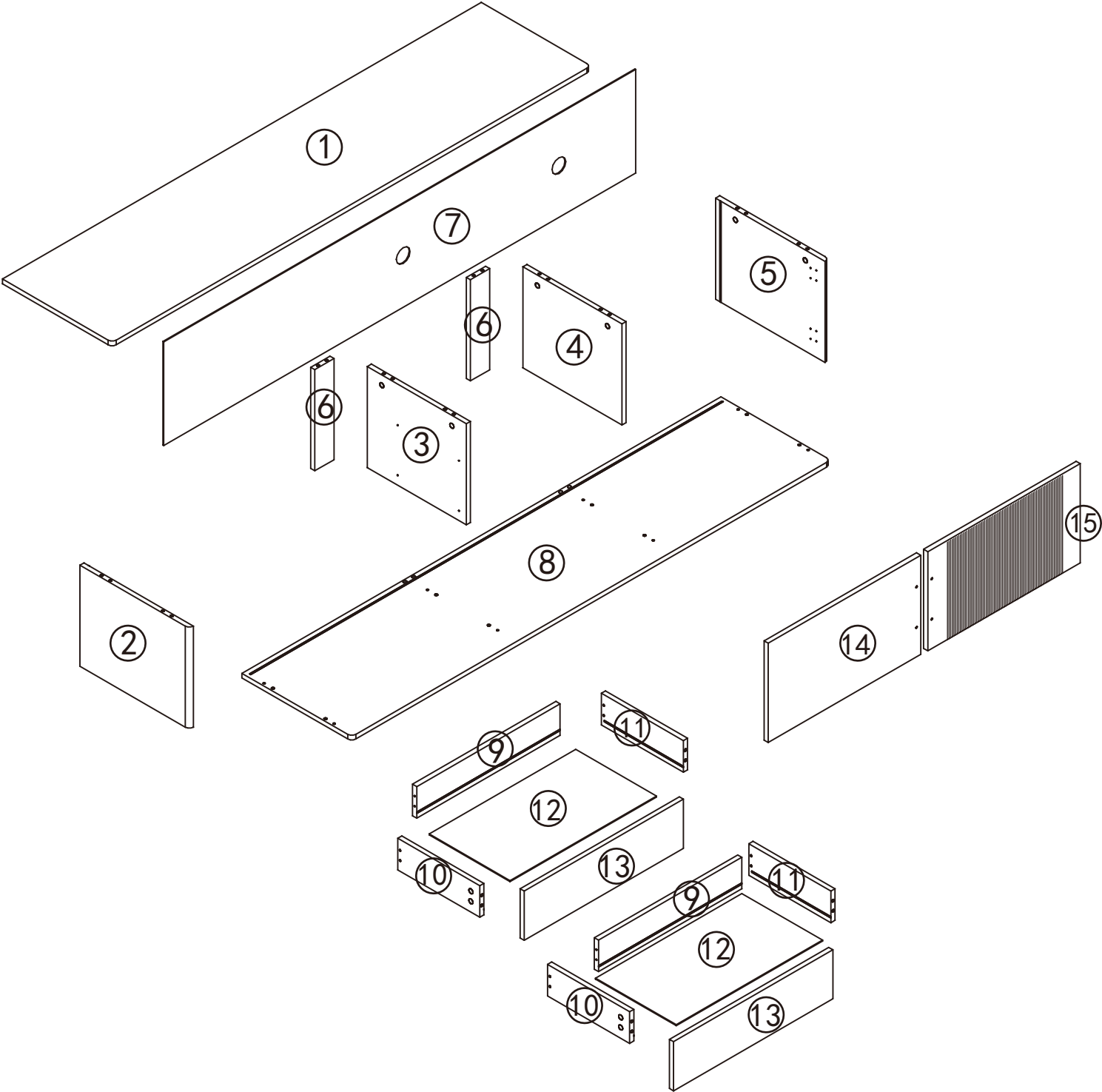
You should feel a click when the camlock is locked in place.

The joint is now secure.

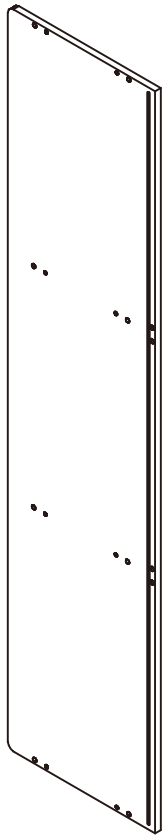
4



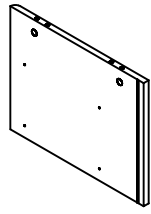
Assembly Instructions



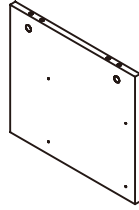
Assembly Instructions



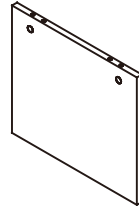
① X1



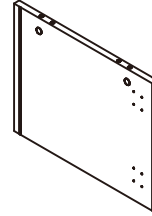
② X1



③ X1



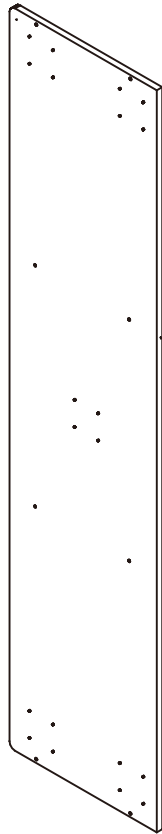
④ X1



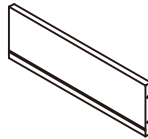
⑤ X1



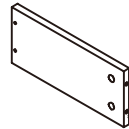
⑥ X2



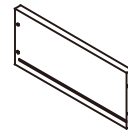
⑧ X1



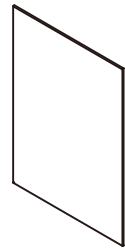
⑨ X2



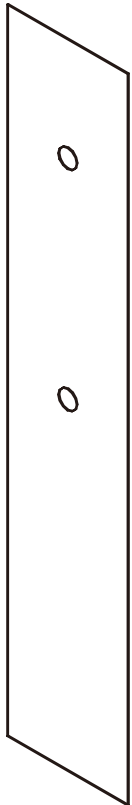
⑩ X2



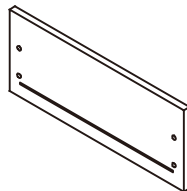
⑪ X2



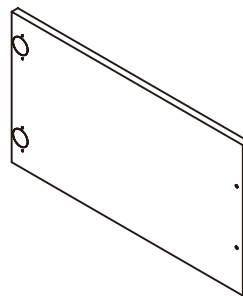
⑫ X2



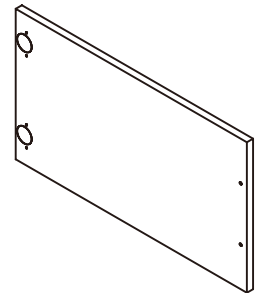
⑦ X1



⑬ X2



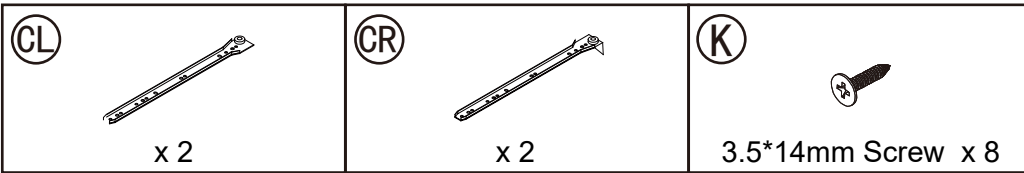
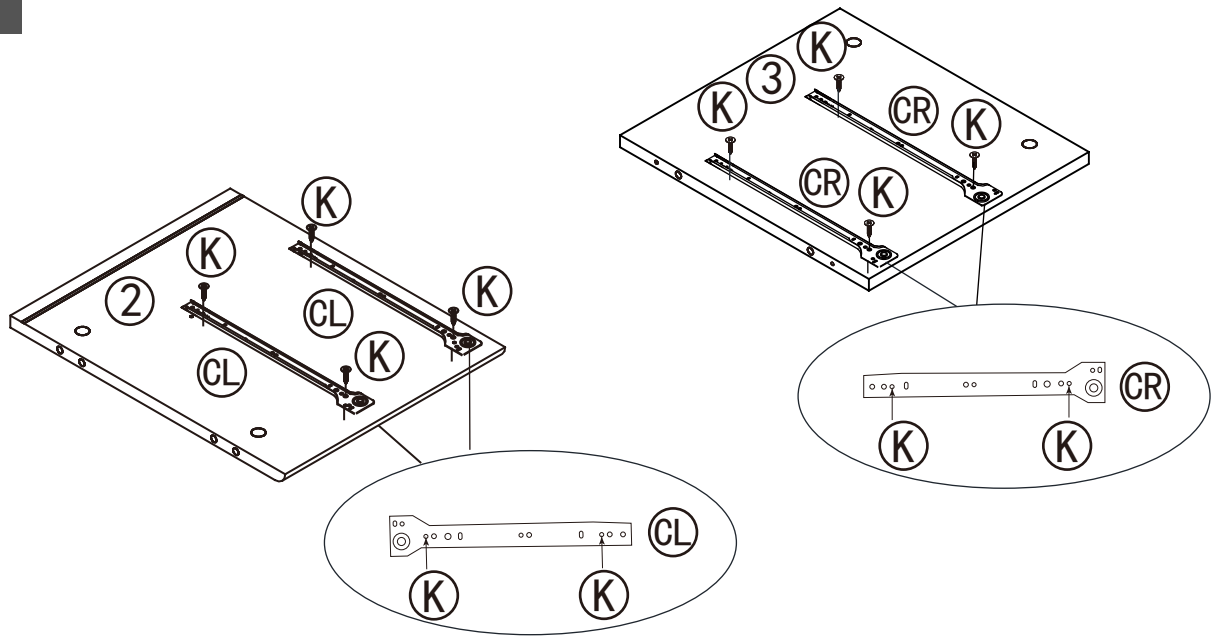
⑭ X1



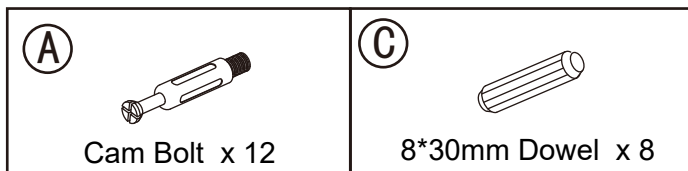
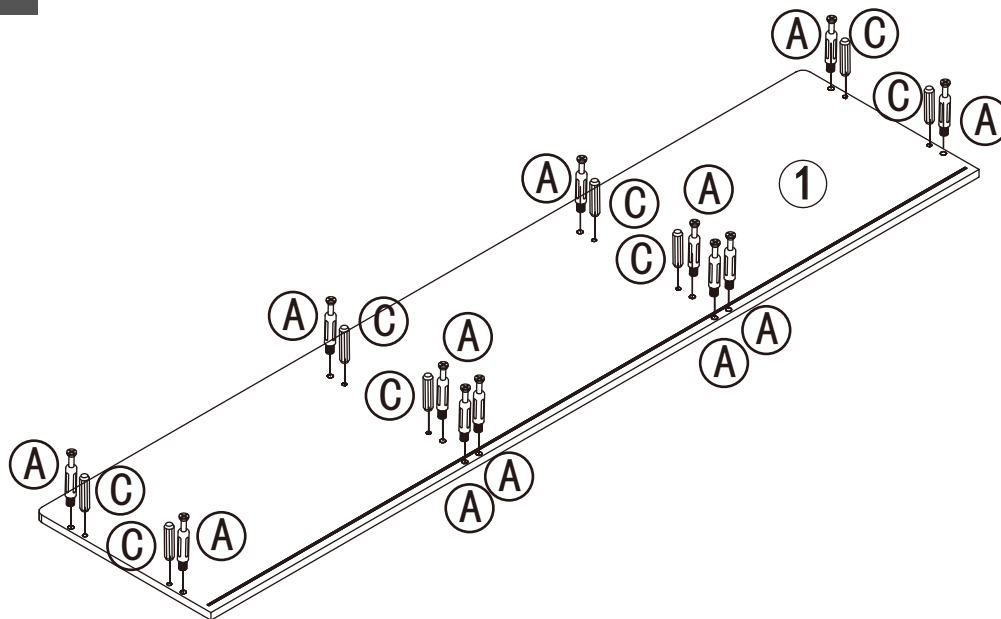
⑮ X1

Assembly Instructions

Step 1

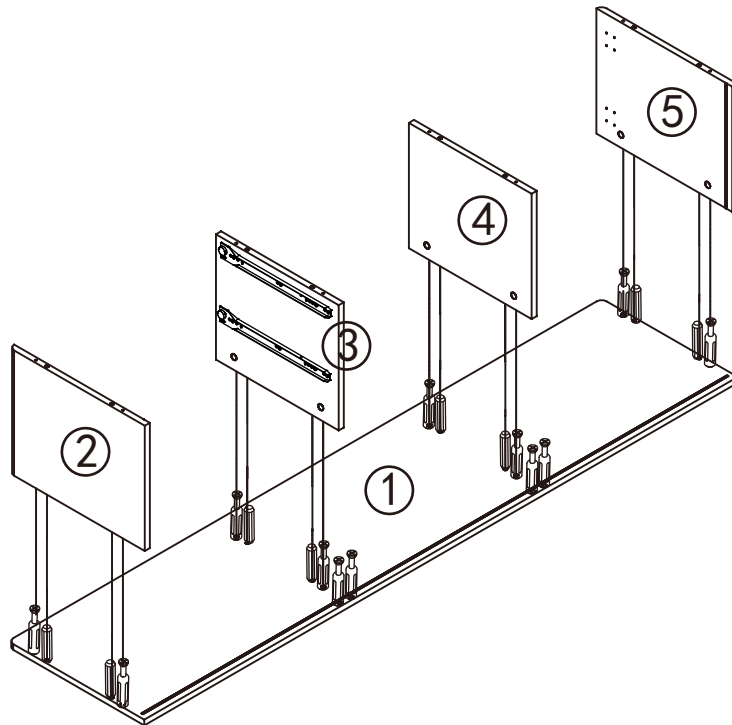


Step 2

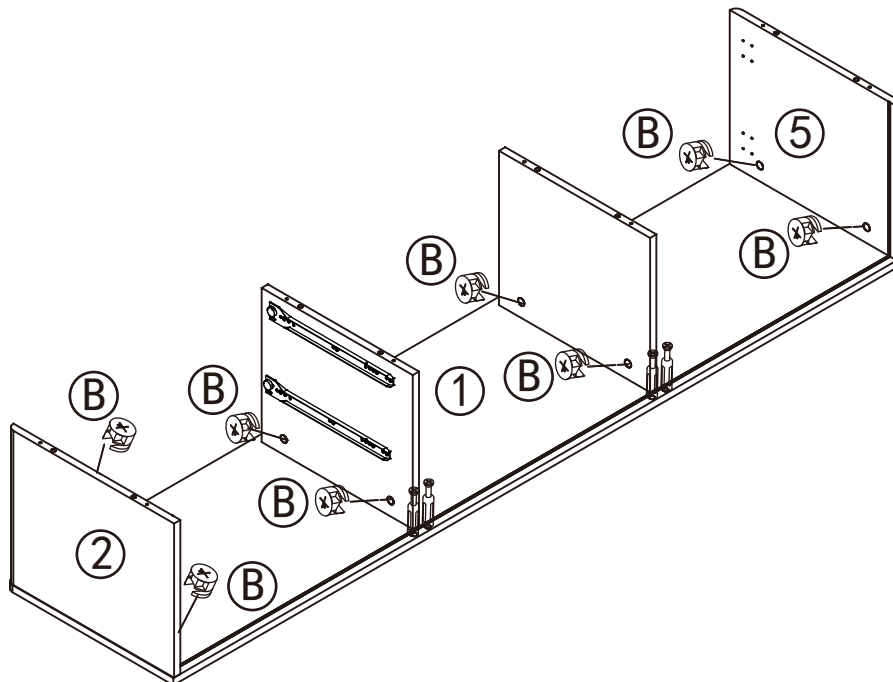


Assembly Instructions

Step 3



Step 4



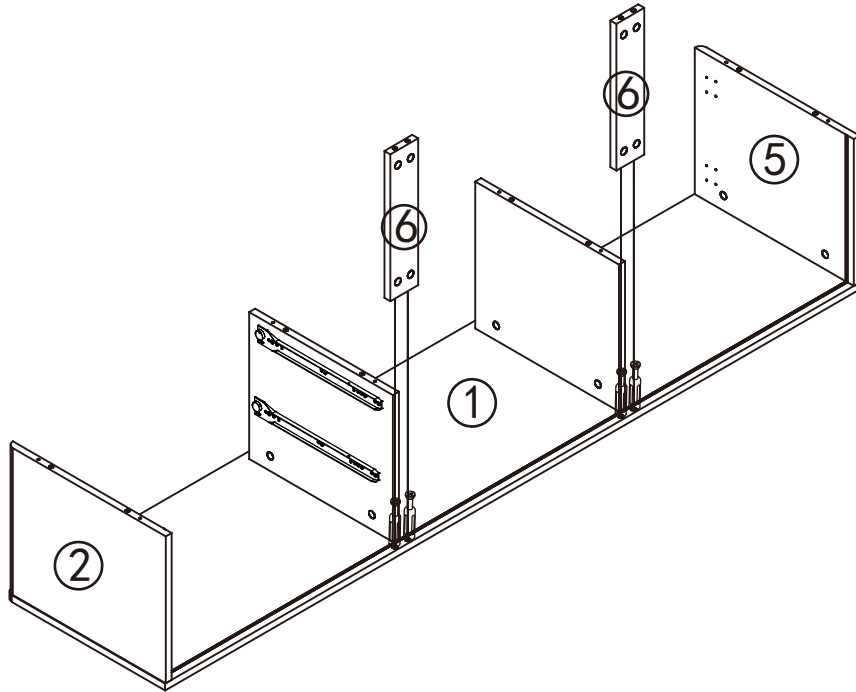
(B)



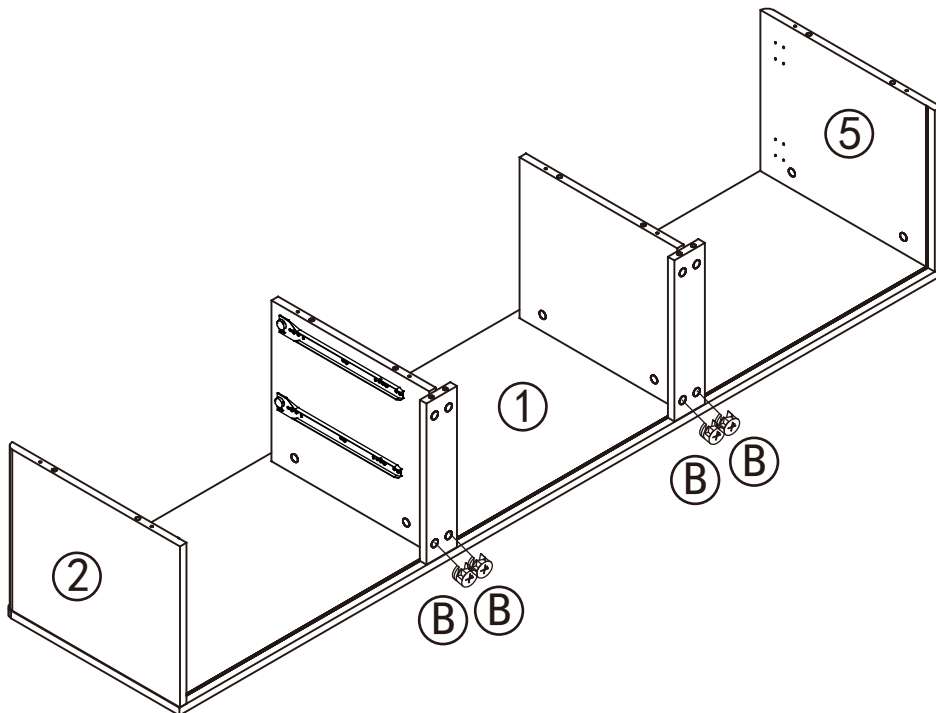
Cam Lock x 8

Assembly Instructions

Step 5

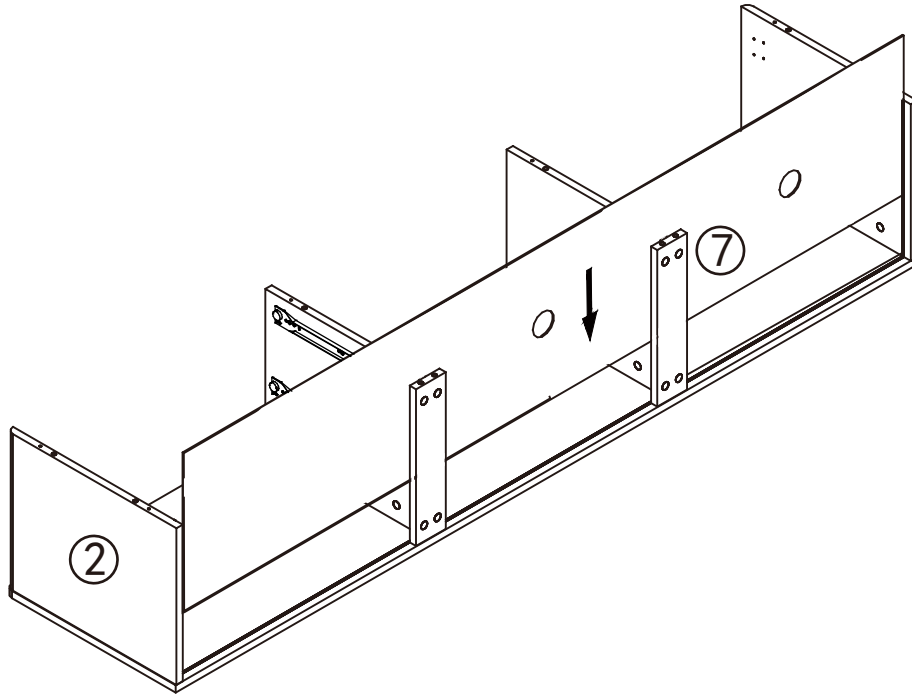


Step 6

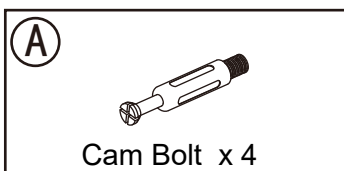
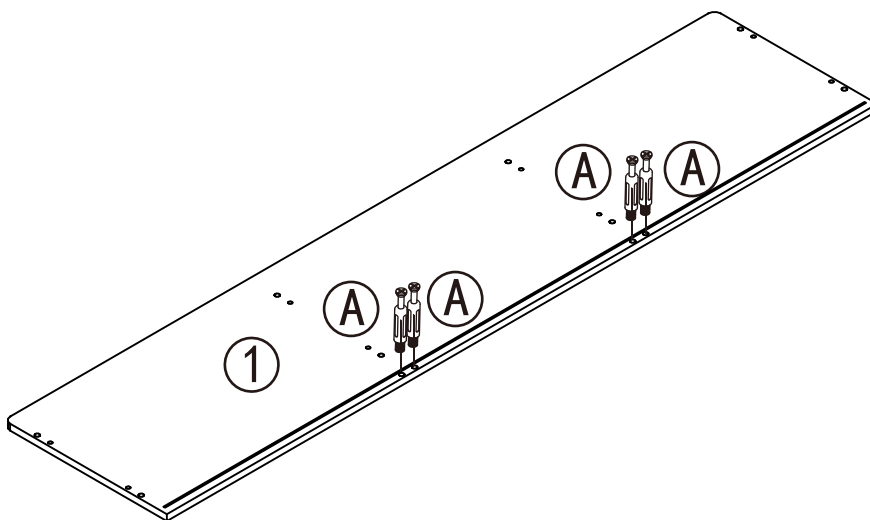


Assembly Instructions

Step 7

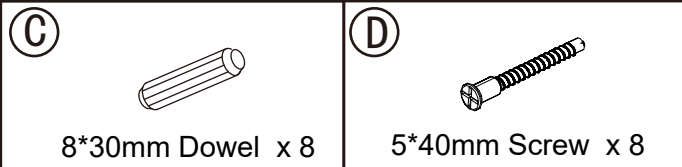
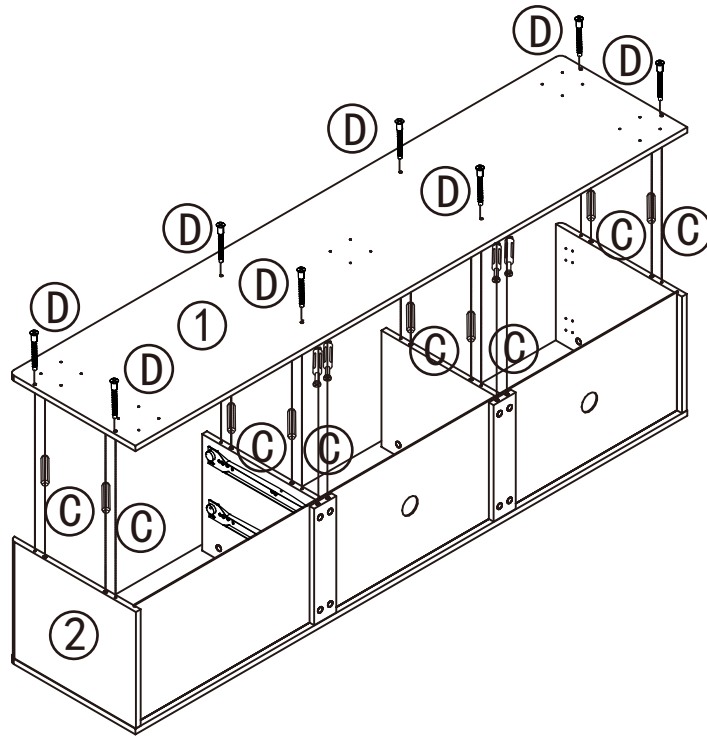


Step 8

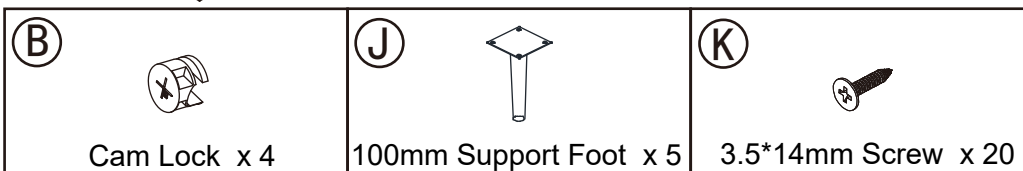
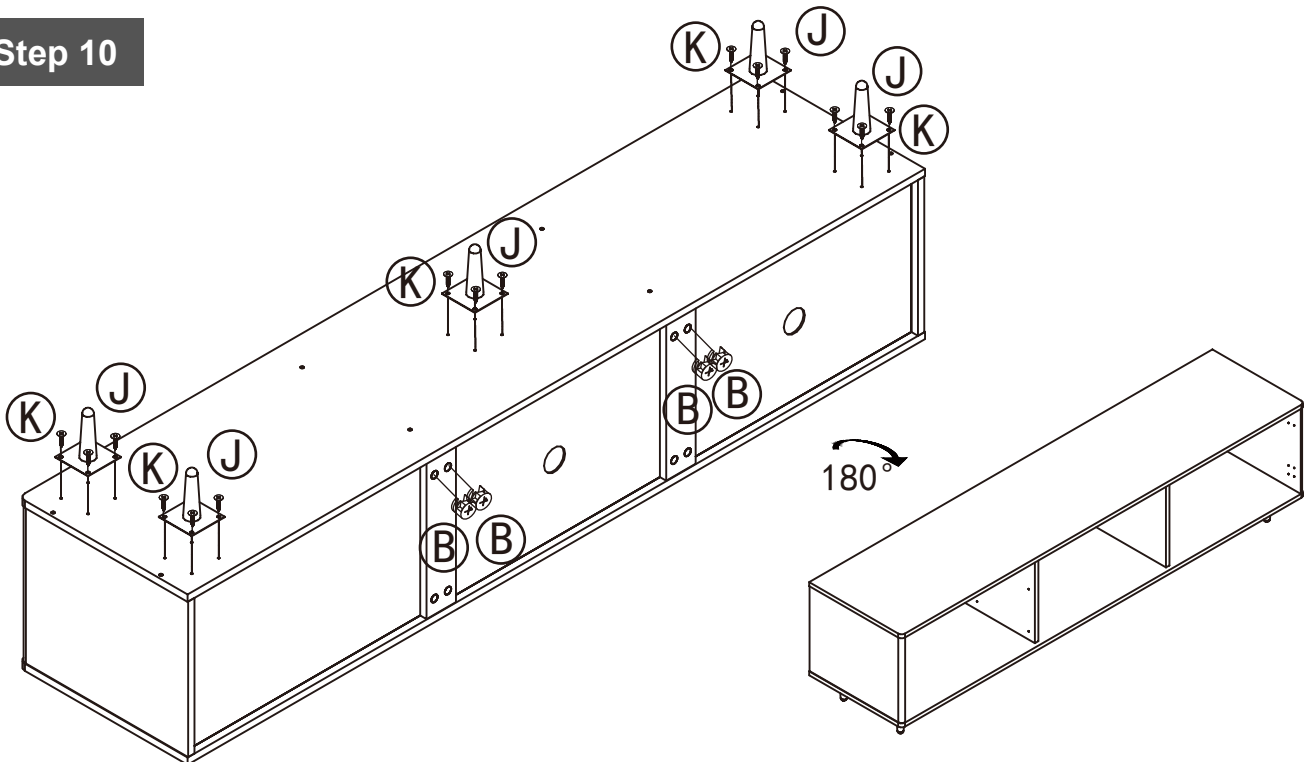


Assembly Instructions

Step 9

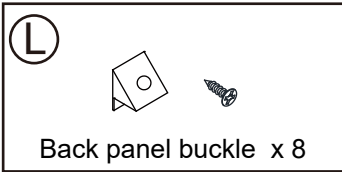
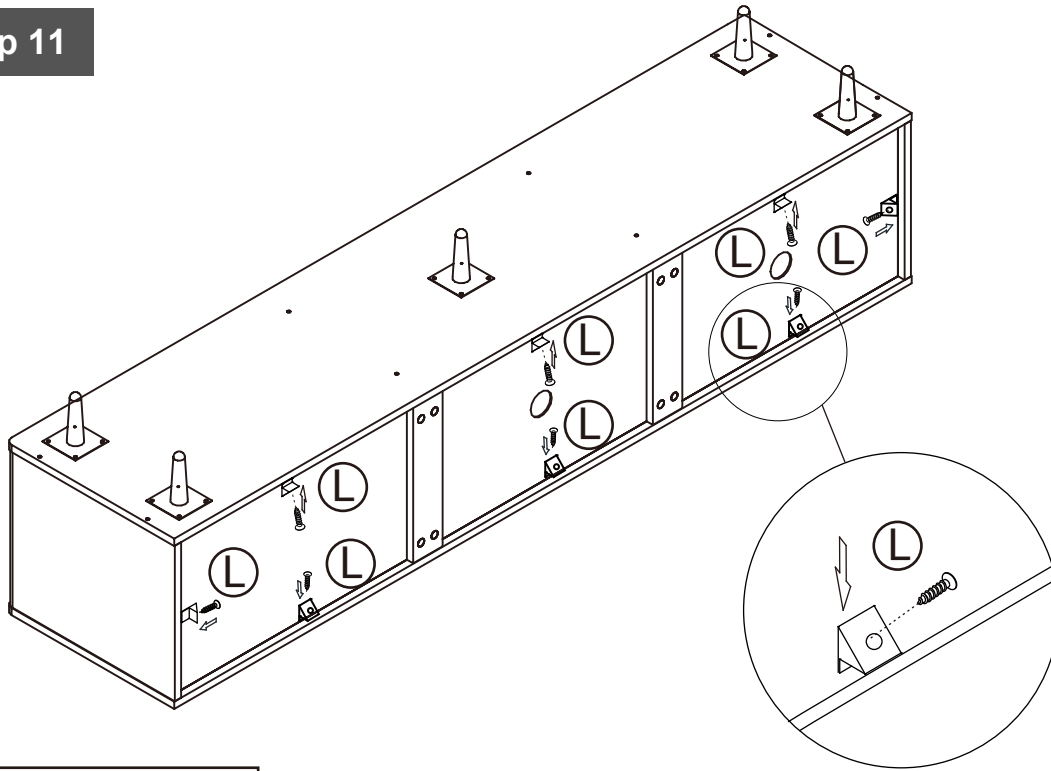


Step 10

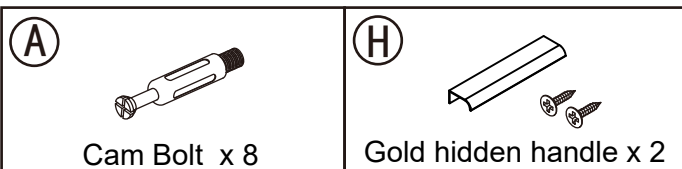
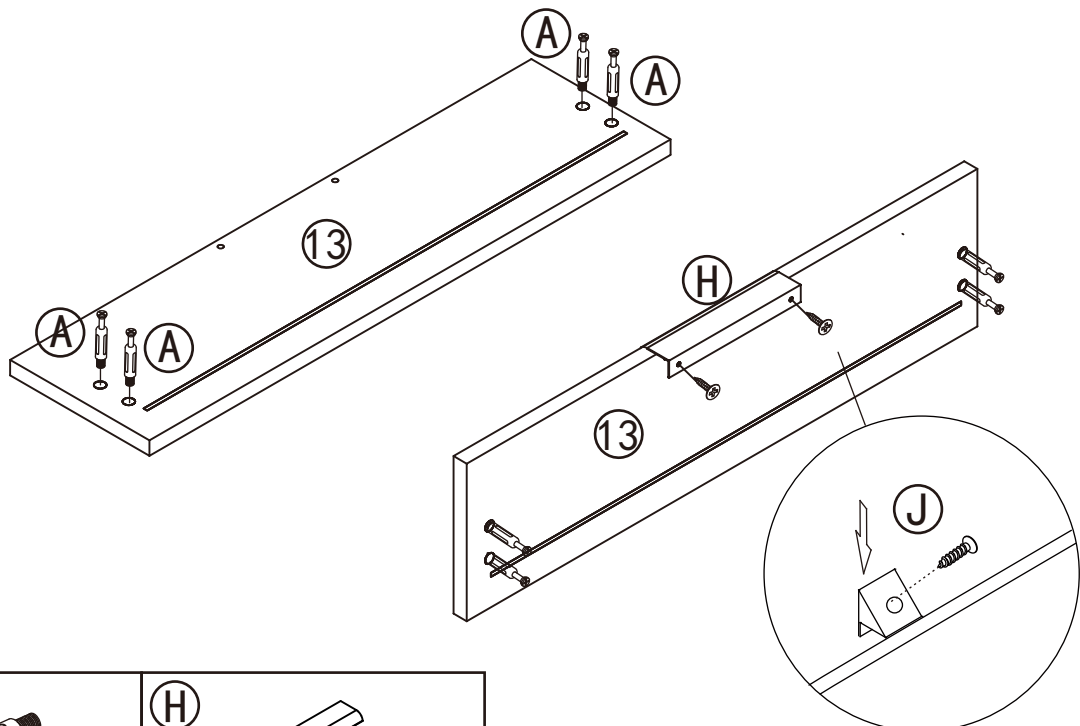


Assembly Instructions

Step 11

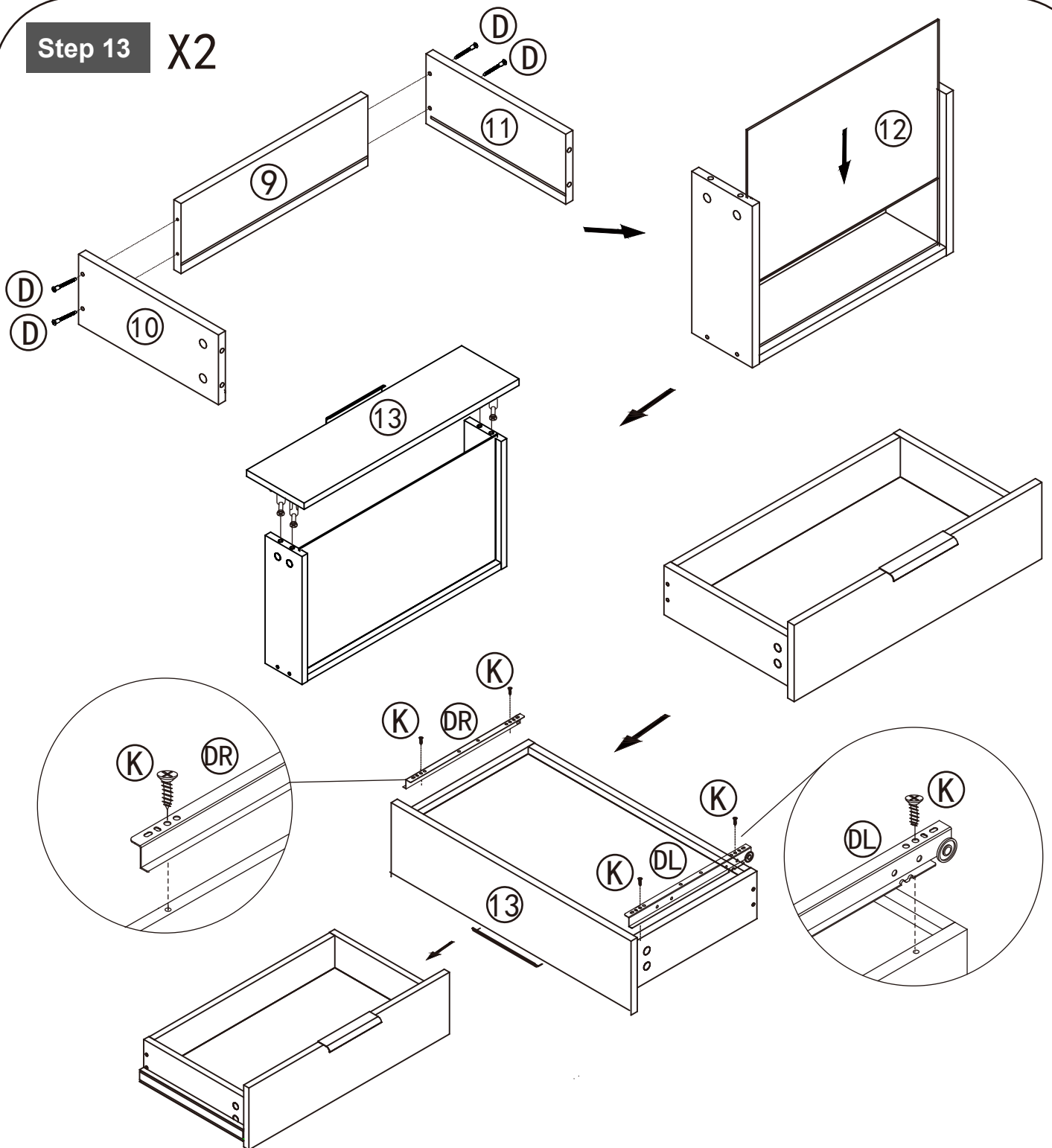



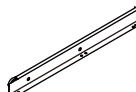

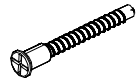

Step 12 X2



Assembly Instructions

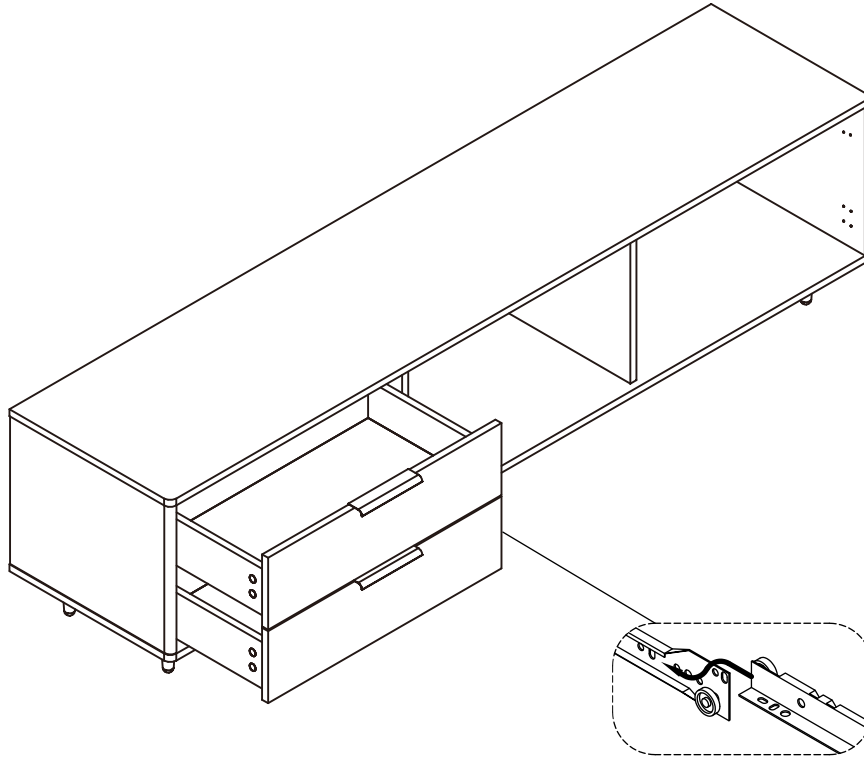
Step 13 X2



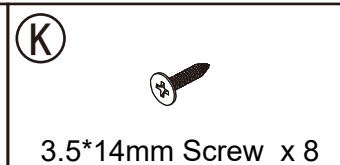
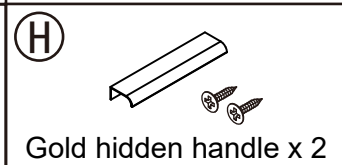
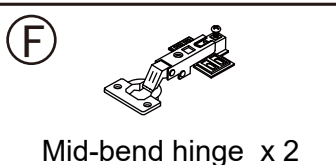
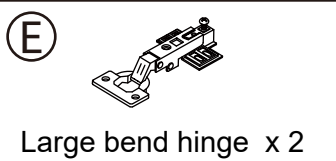
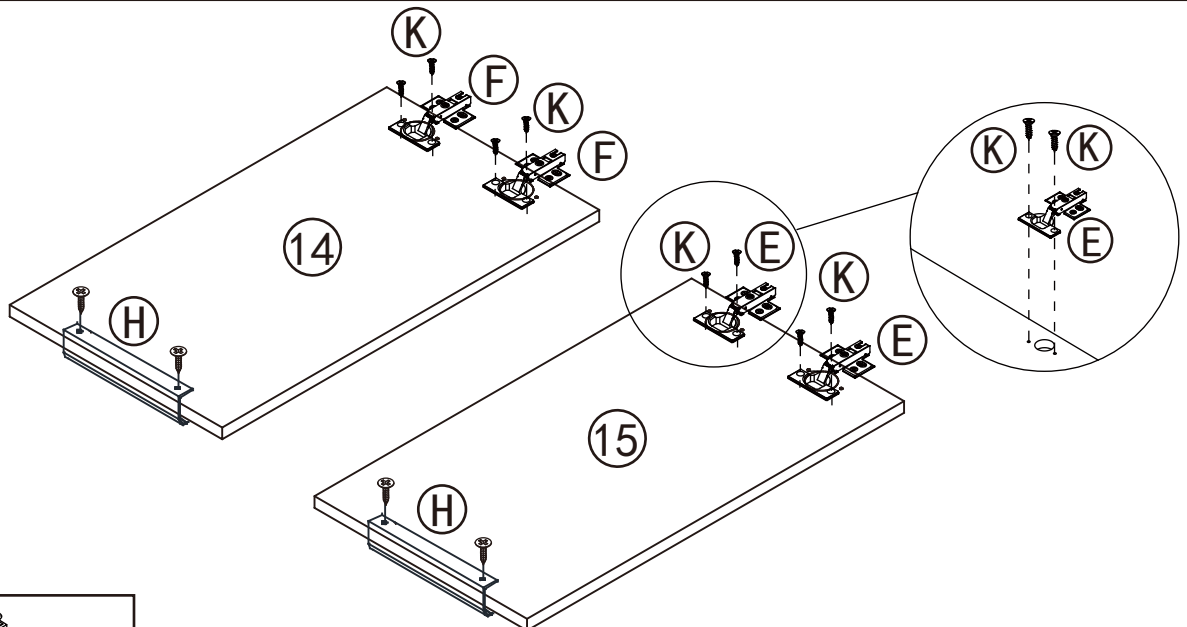
<p>(DL)</p>  <p>x 2</p>	<p>(DR)</p>  <p>x 2</p>	
<p>(B)</p>  <p>Cam Lock x 8</p>	<p>(D)</p>  <p>5*40mm Screw x 8</p>	<p>(K)</p>  <p>3.5*14mm Screw x 8</p>

Assembly Instructions

Step 14

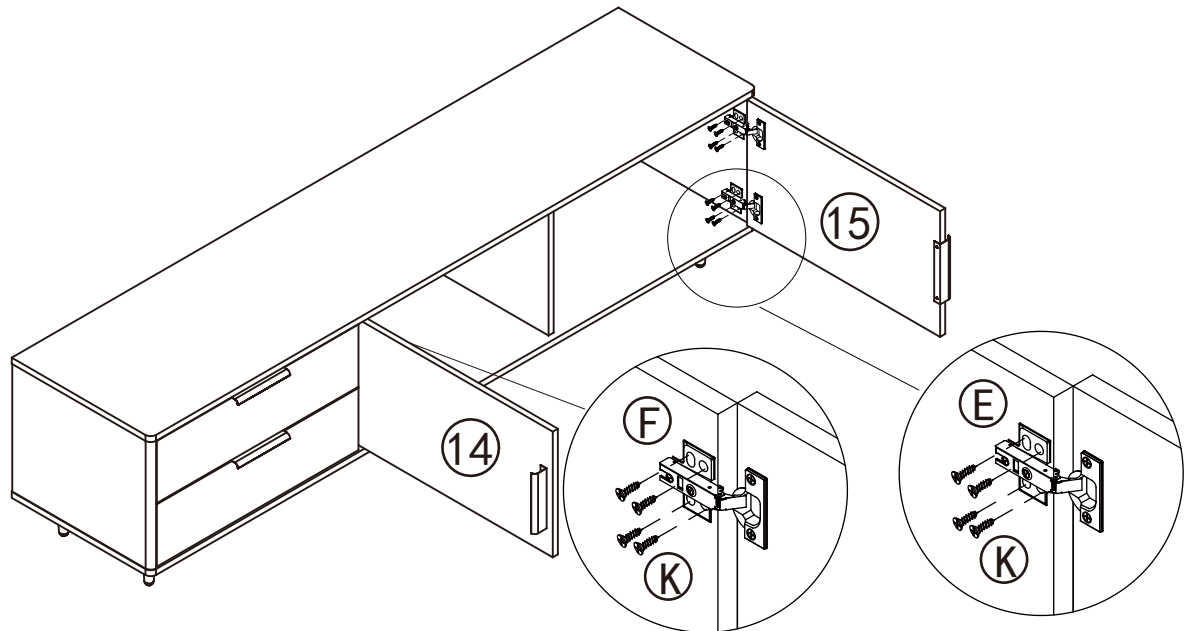


Step 15

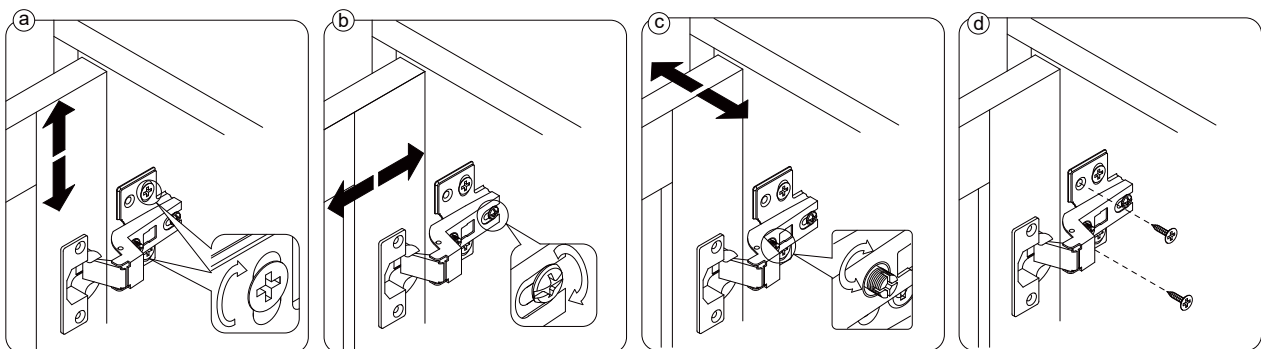


Assembly Instructions

Step 16



When the hinges are installed, you can refer to the pictures to adjust crevice of the doors till it's perfect:



1. To adjust the doors up and down, please refer to step (a)
2. To adjust the distance between the doors and side panels, please refer to step (b)
3. To adjust the gap between two doors, please refer to step (c)
4. After the adjustment finished, please tight the screws, refer to step (d)



Assembly Instructions

Step 17

