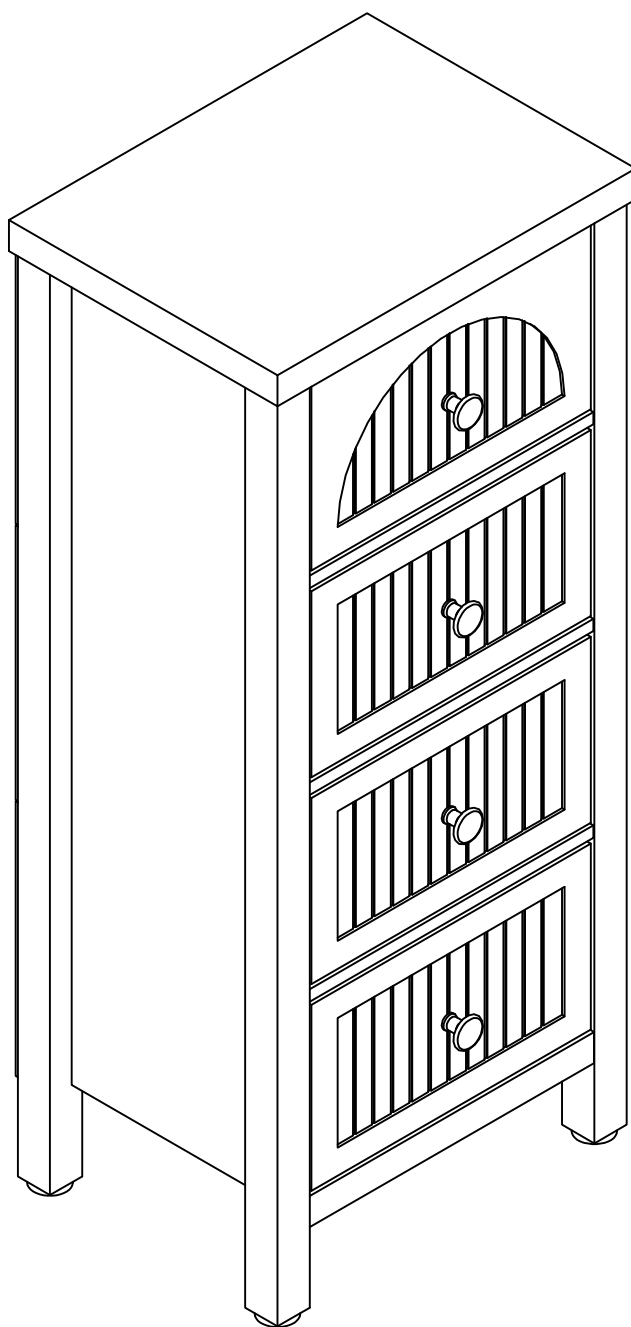
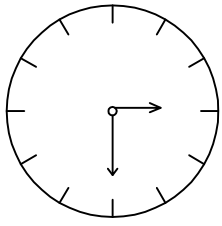


ASSEMBLY INSTRUCTION



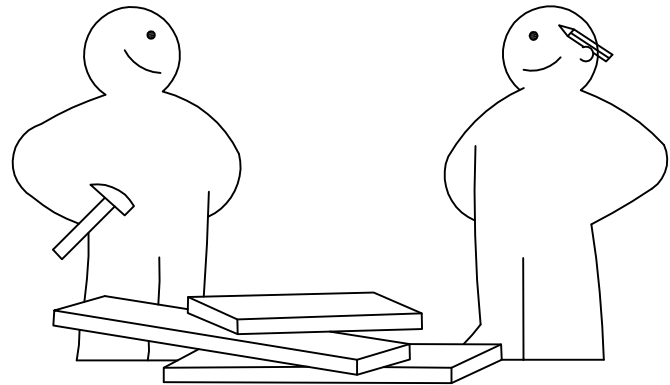
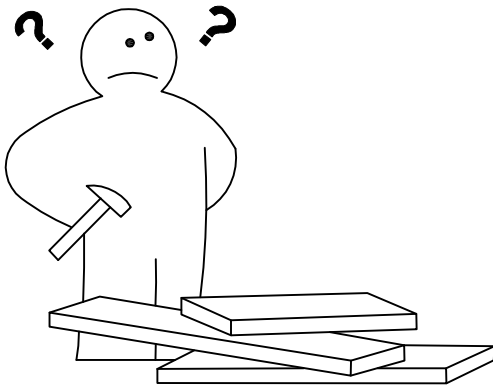
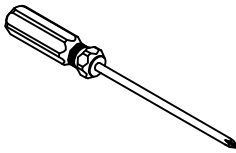
Estimated time for assembly



60:00

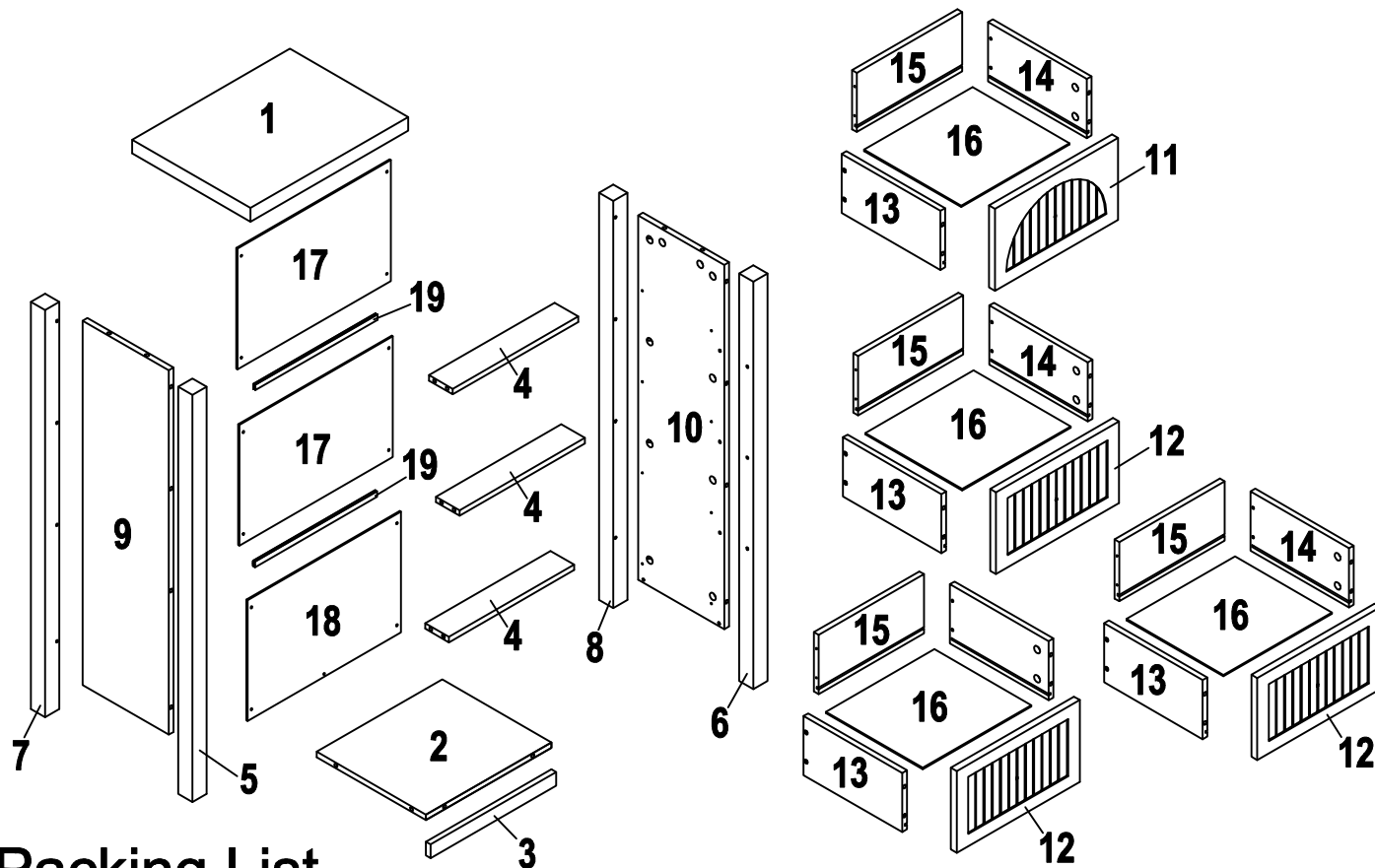
What you need

- Use the packaging carton as a working surface to prevent product damage during assembly.
- Phillips head screwdriver.

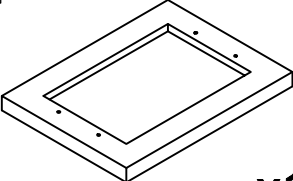
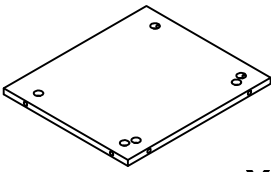
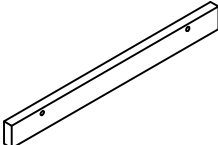
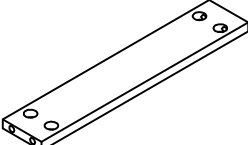

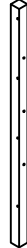




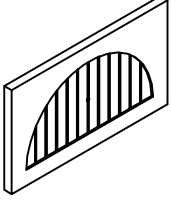
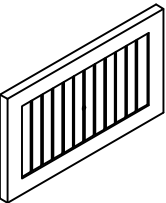
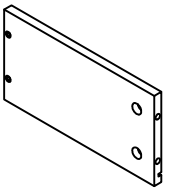
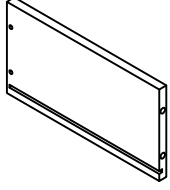
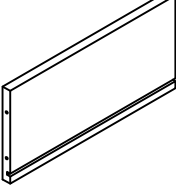
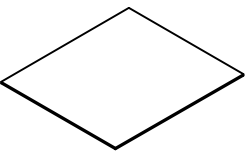


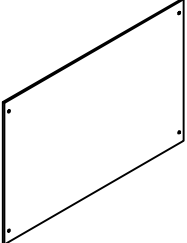
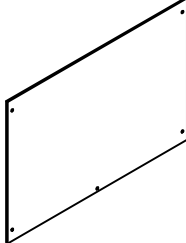
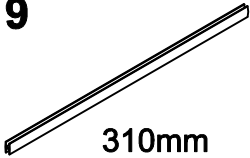
IMPORTANT:





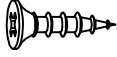
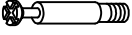

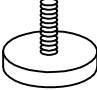
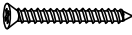

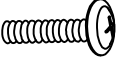
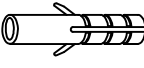
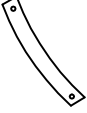
1. Do not tighten bolts / screws completely until all bolts / screws are lined up and inserted into holes.
2. Do not over tighten screws and bolts to avoid stripping
3. Please use hand tools to assemble this product, Do not use power tools.



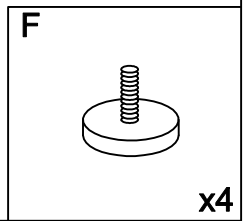
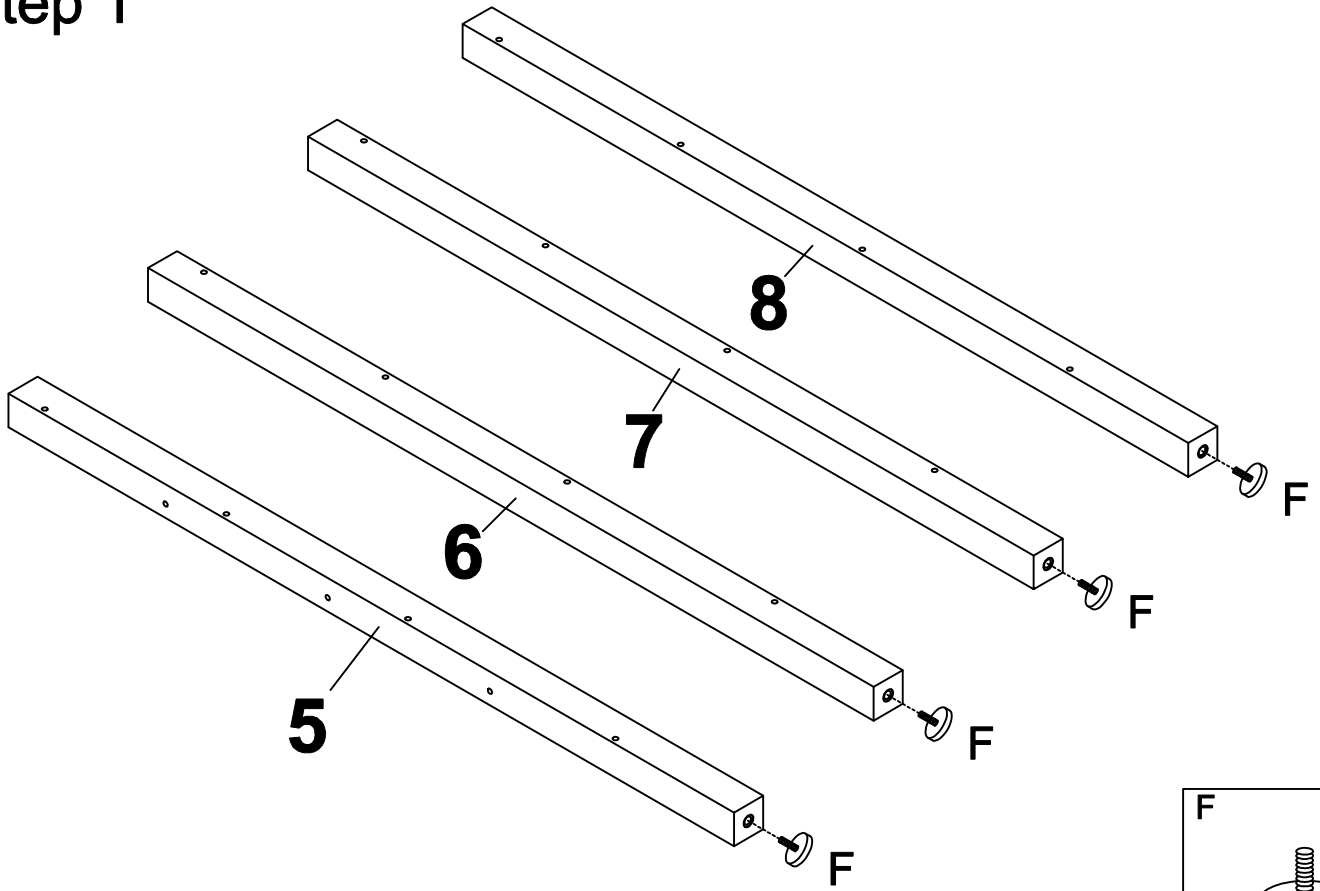
Packing List

1  x1	2  x1	3  x1	4  x3
5  x1	6  x1	7  x1	8  x1
9  x1	10  x1	11  x1	12  x3
13  x4	14  x4	15  x4	16  x4

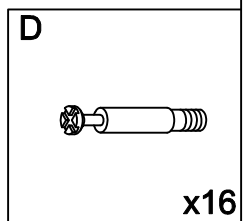
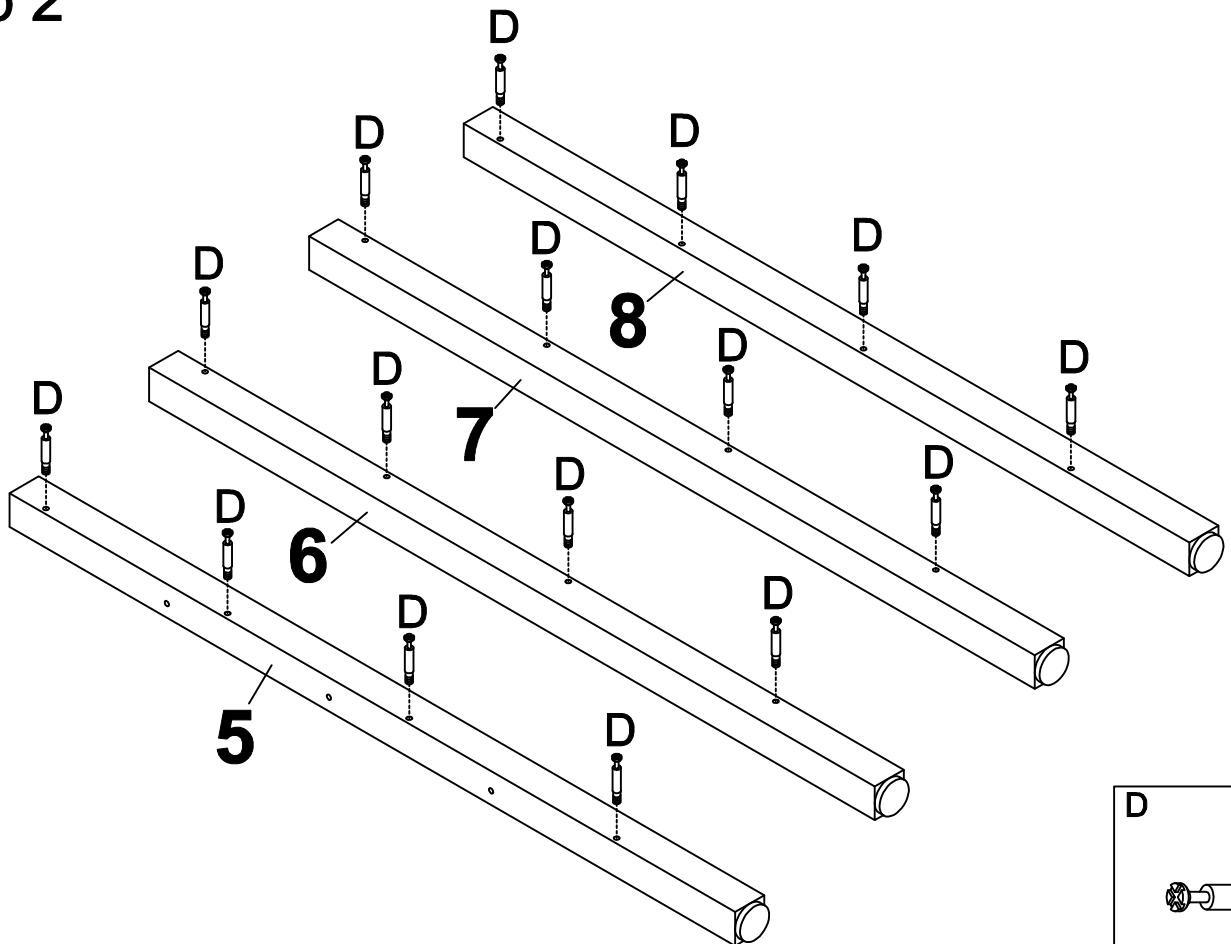
17  x2	18  x1	19  310mm x2	
---	---	---	--

A1  x4	A2  x4	B1  x4	B2  x4	C M3.5x12  x47
D  x54	E  x54	F  x4	G M3.5x40  x18	H  x4
I M4x20  x4	J  x2	K  x2		

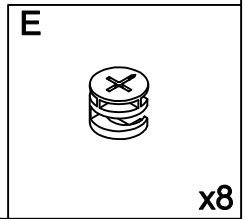
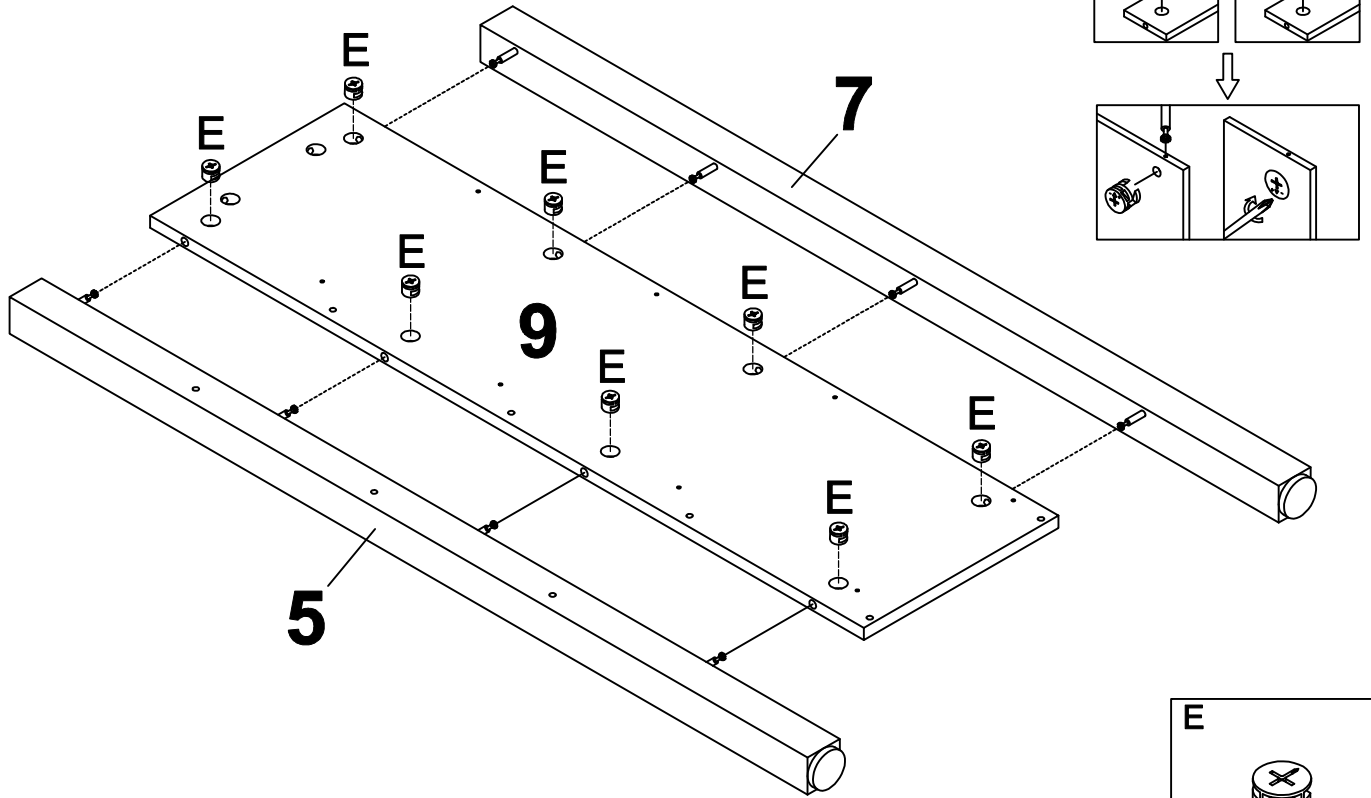
Step 1



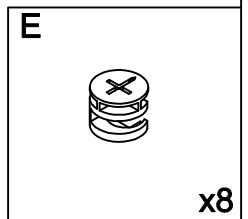
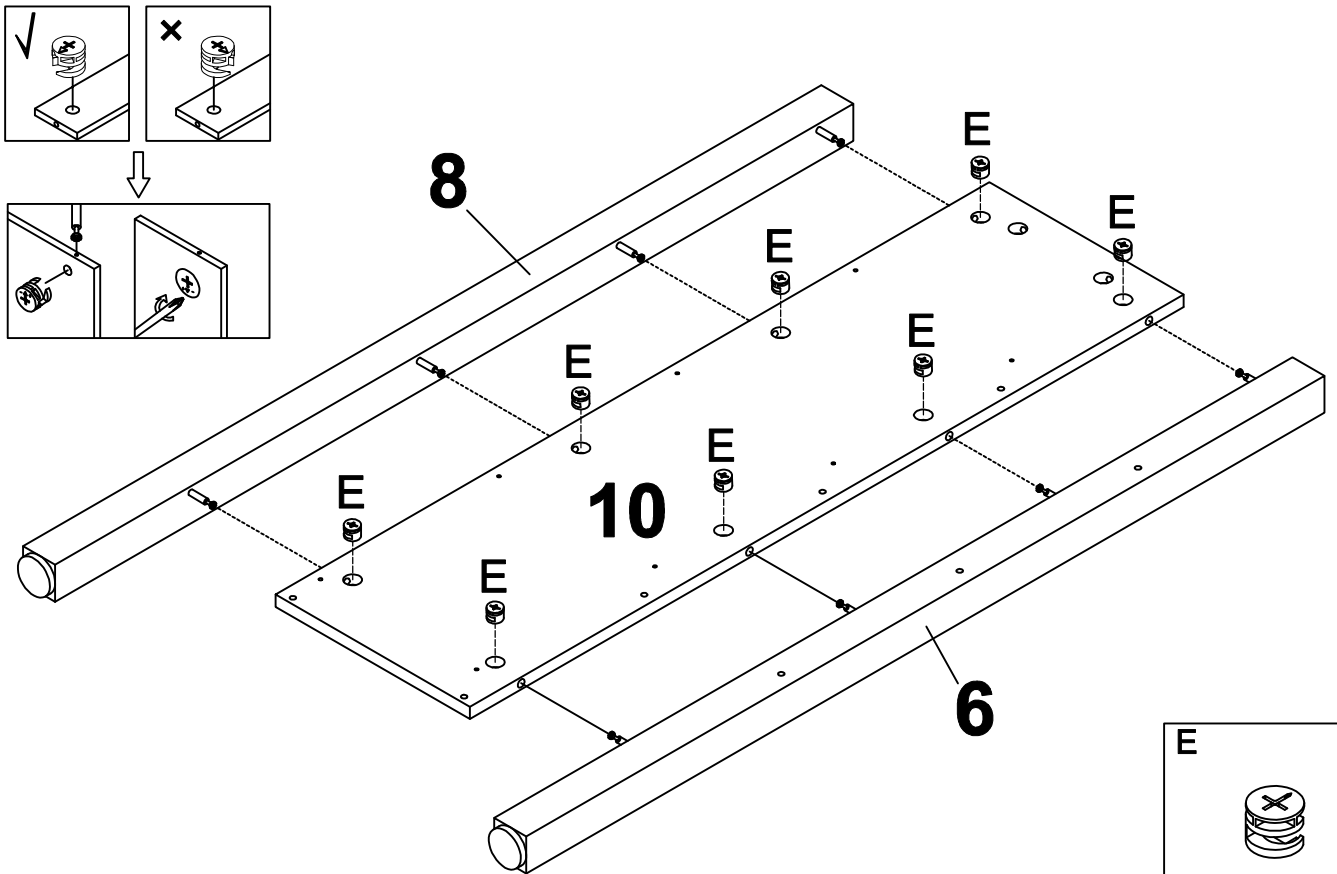
Step 2



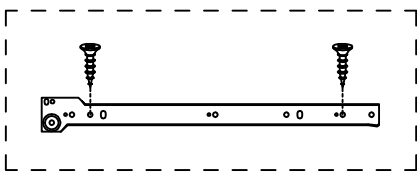
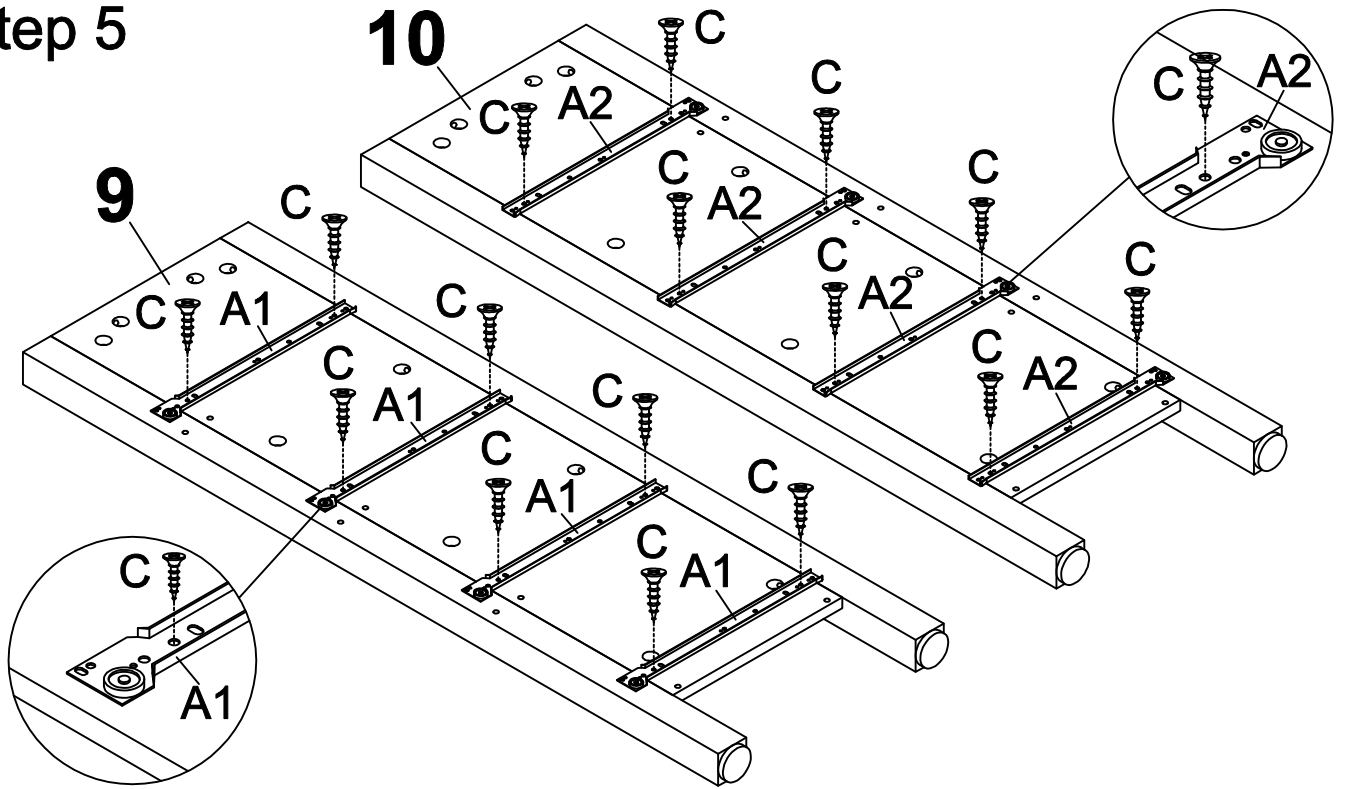
Step 3



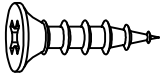


Step 4

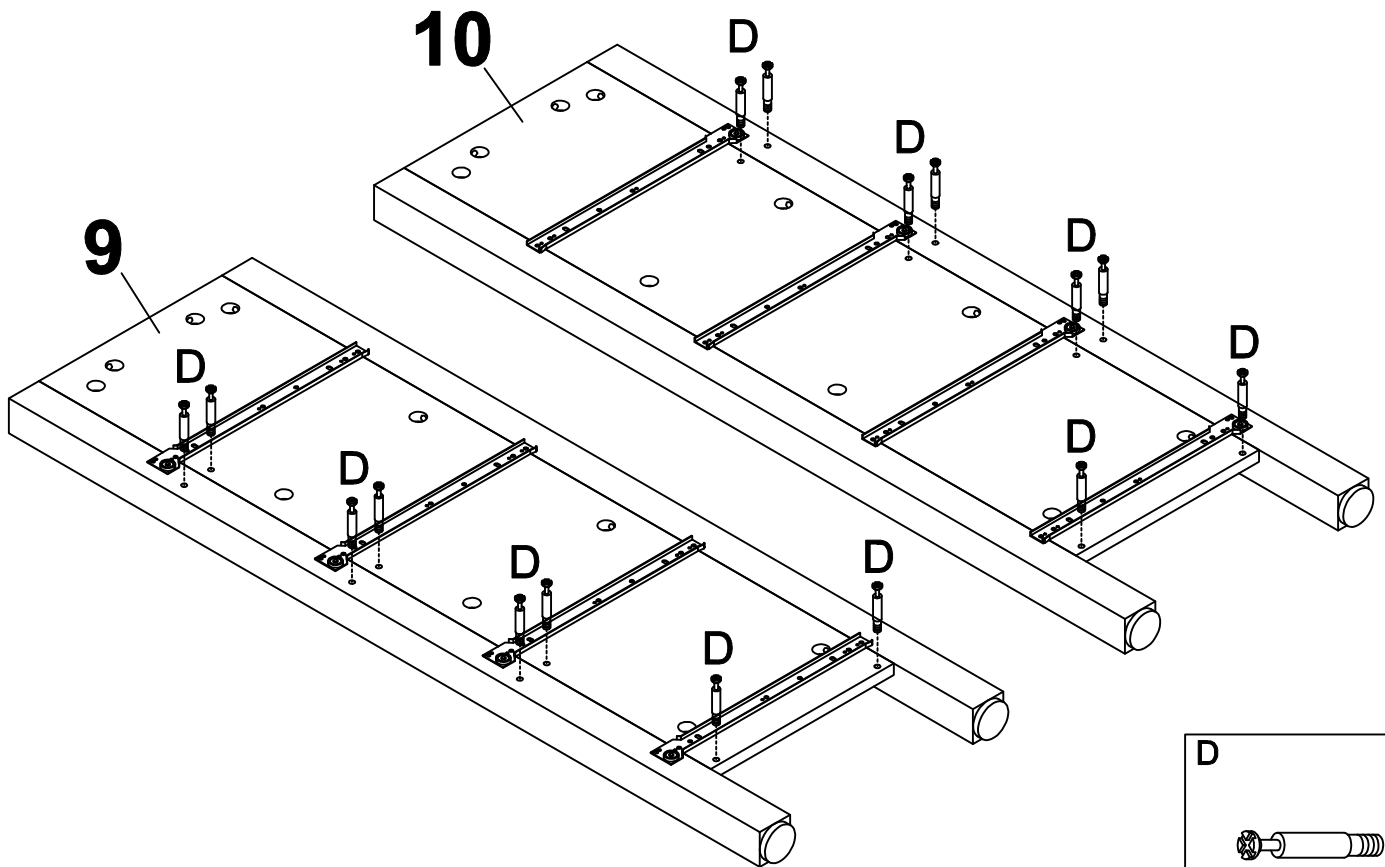


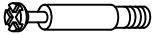
Step 5



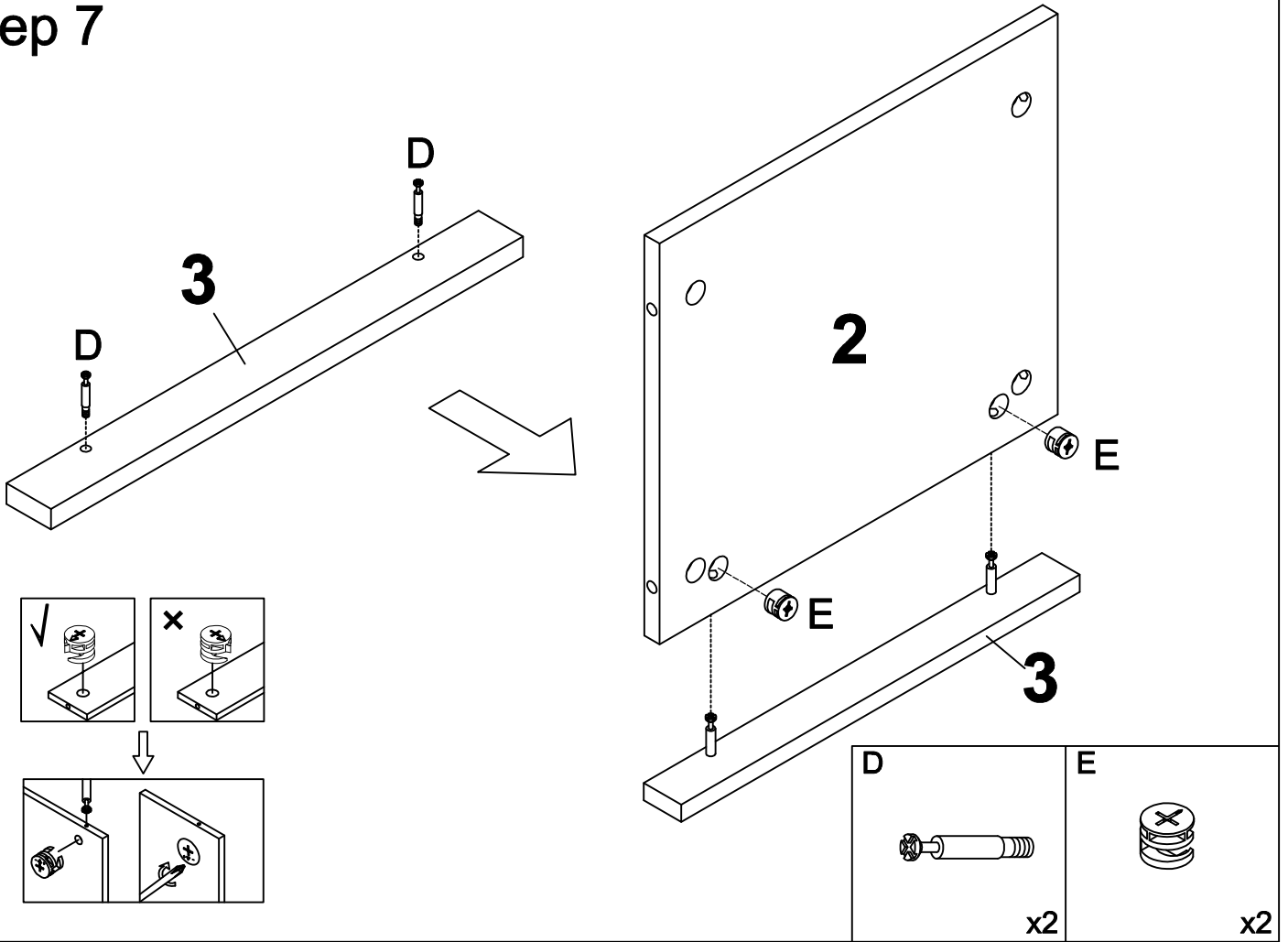
A1	A2	C M3.5x12
		
x4	x4	x16

Step 6

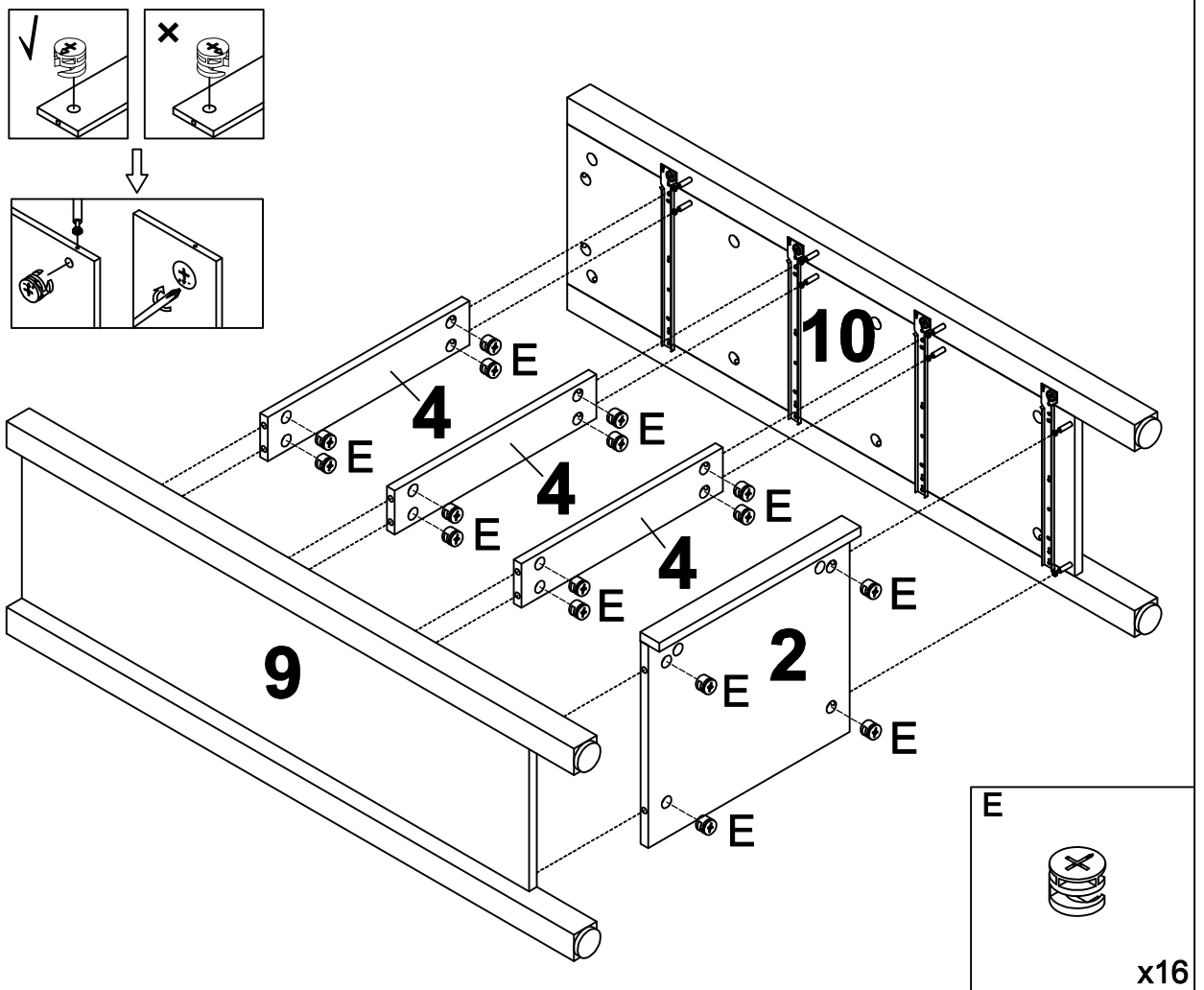


D

x16

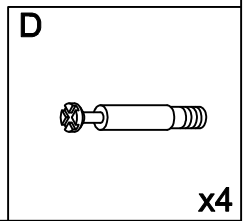
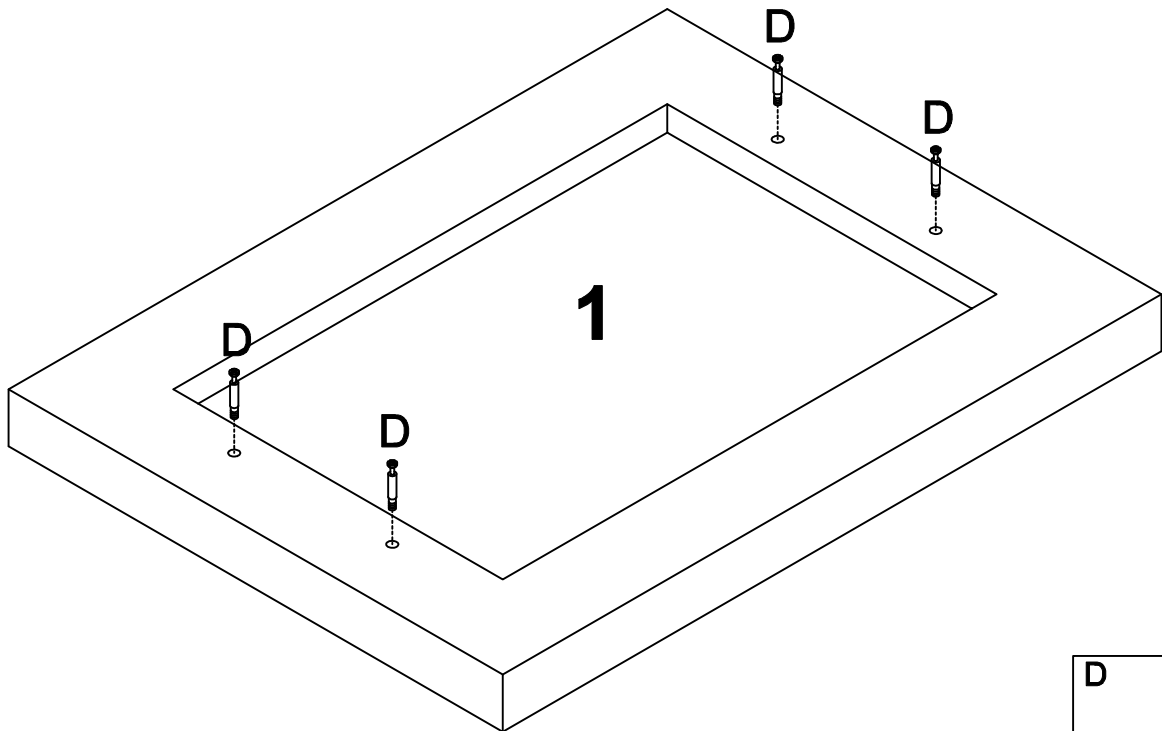
Step 7



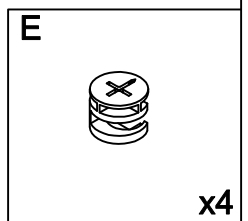
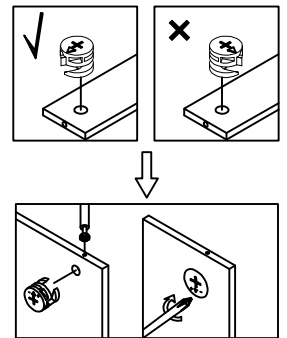
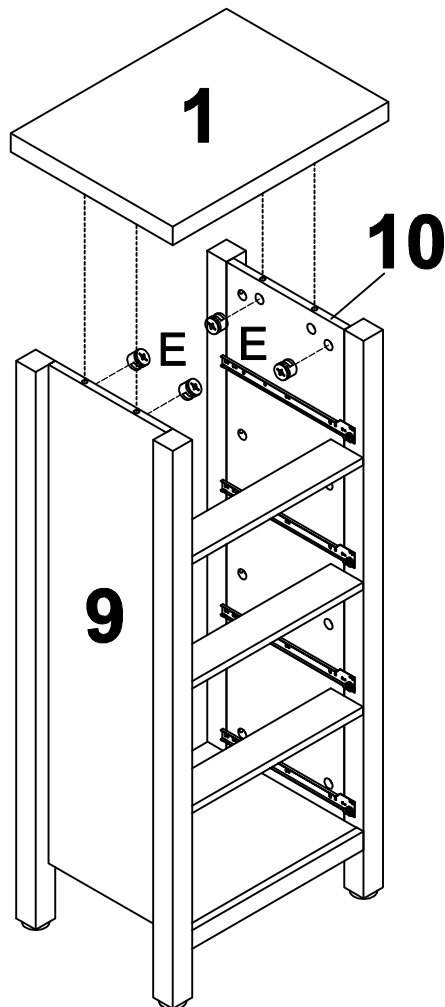
Step 8



Step 9

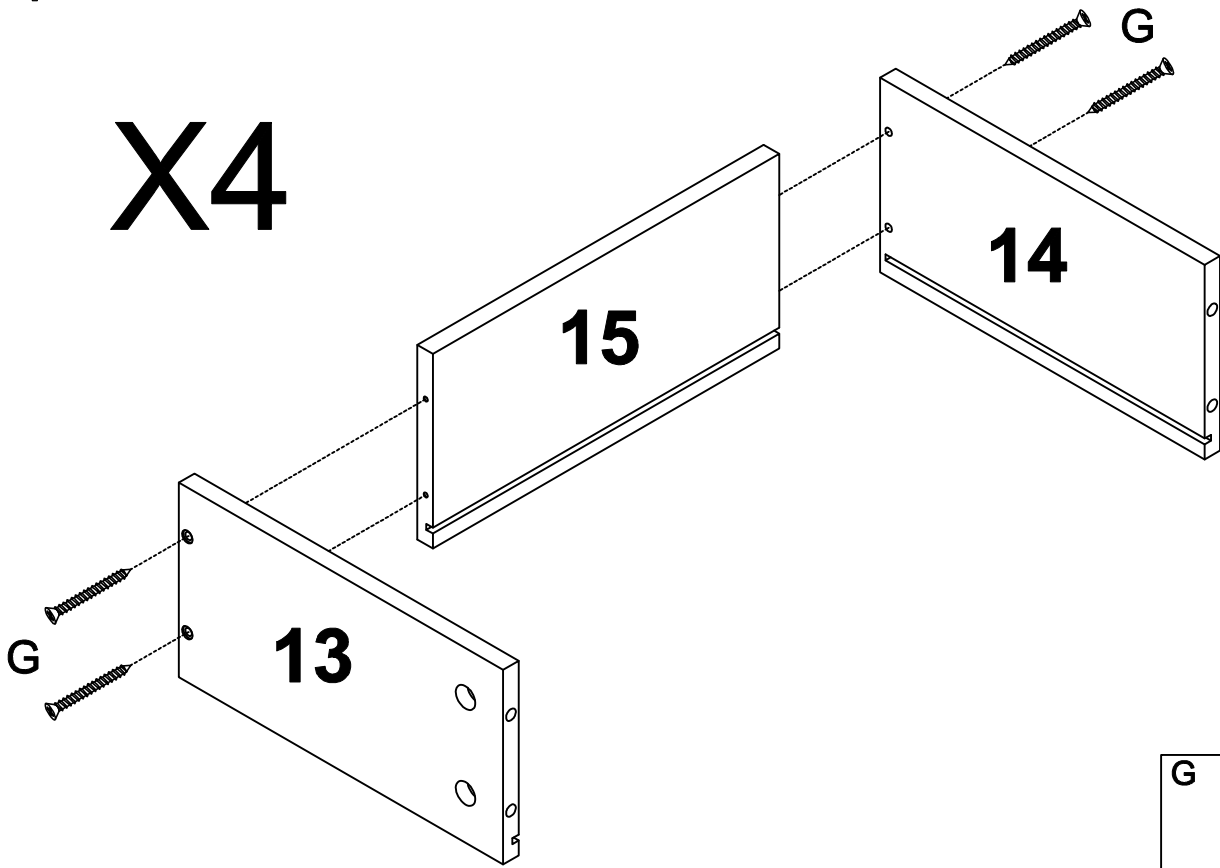


Step 10



Step 11

X4



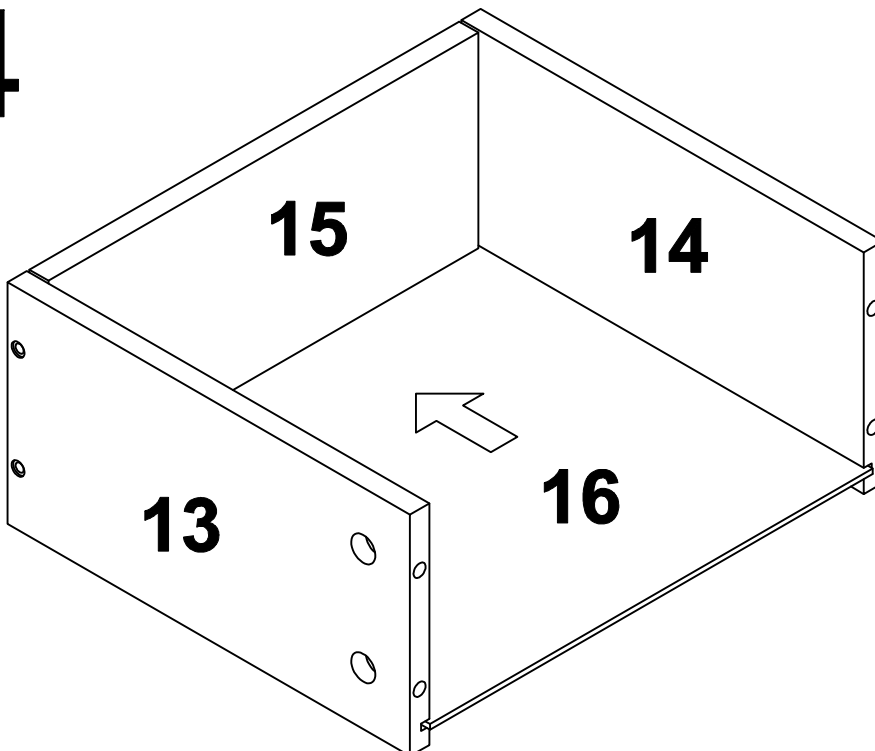
G M3.5x40



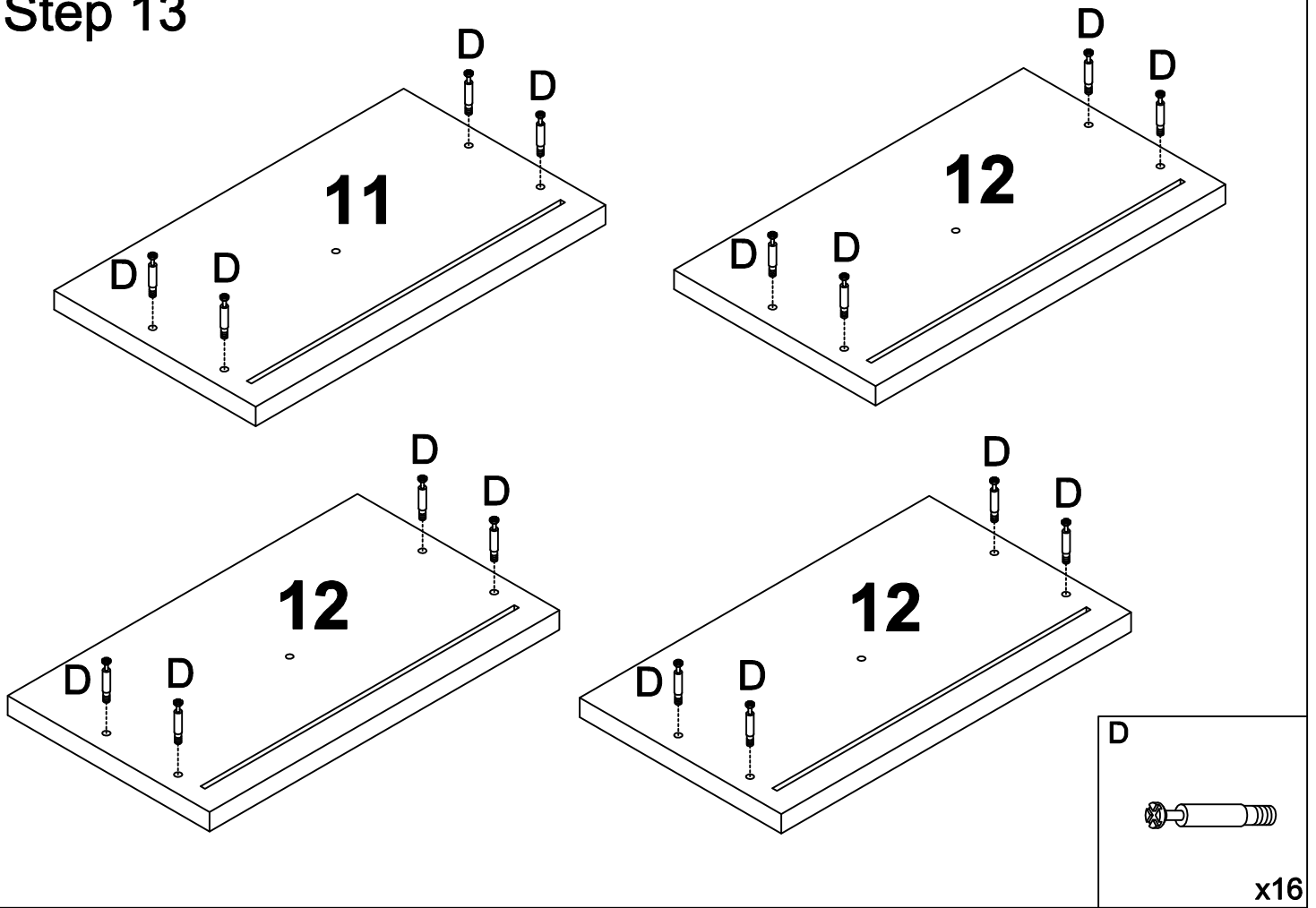
x16

Step 12

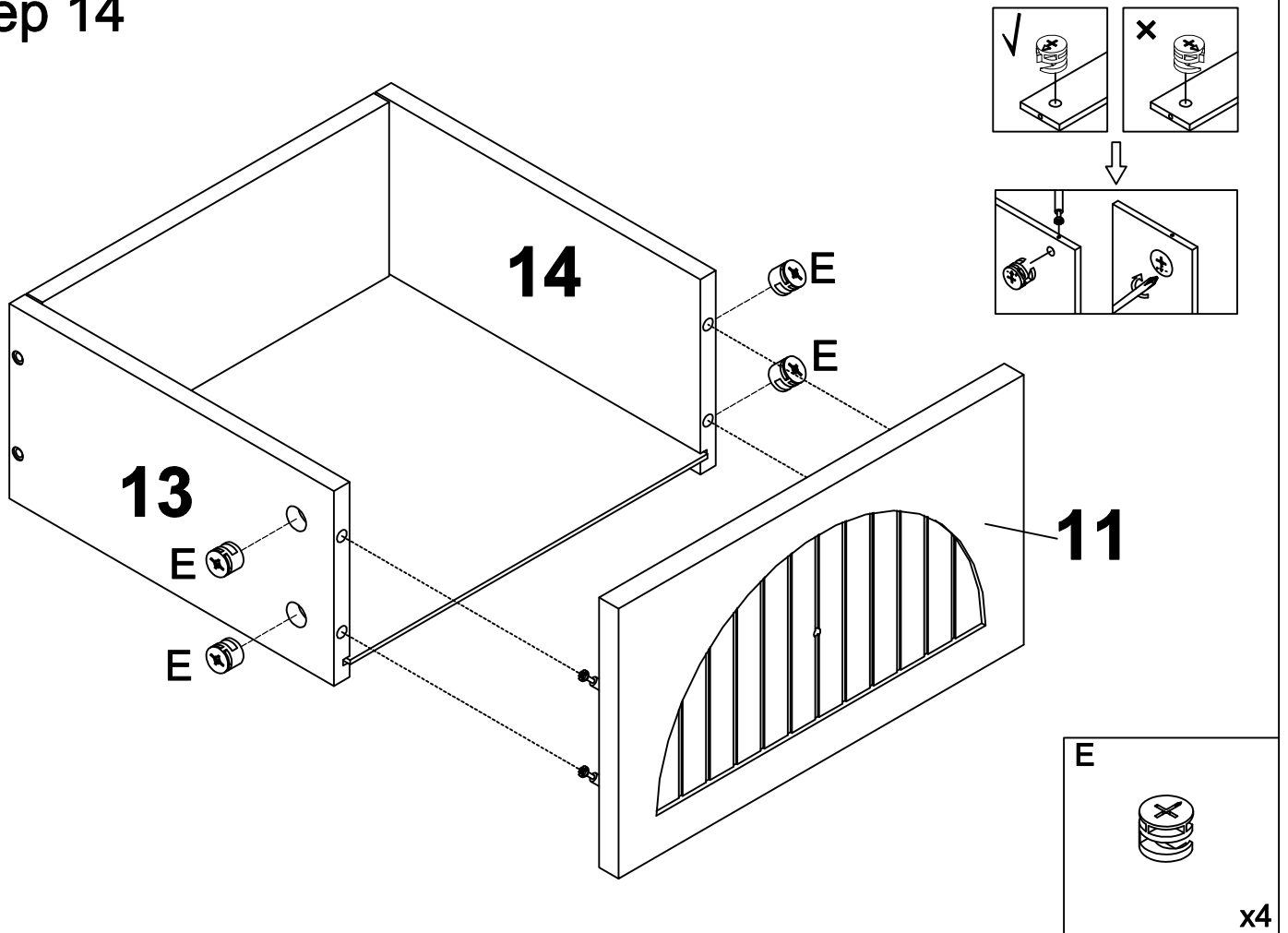
X4



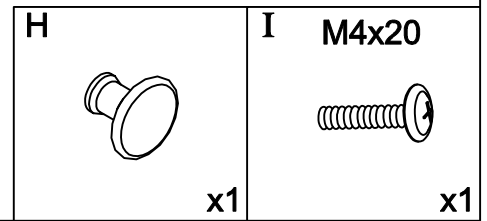
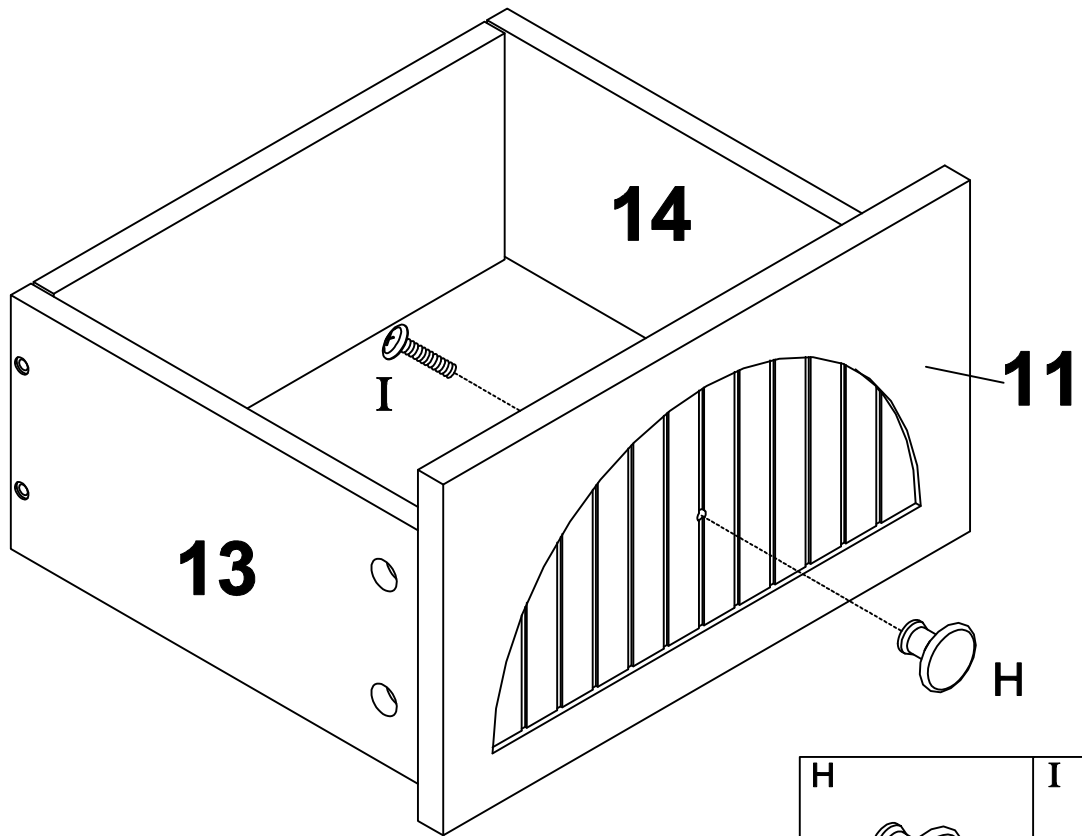
Step 13



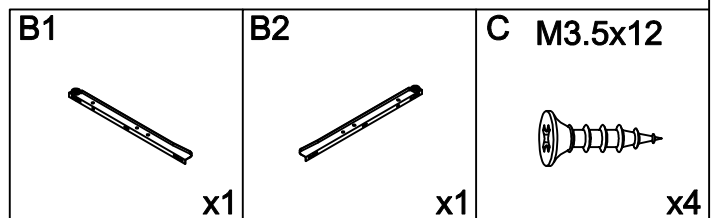
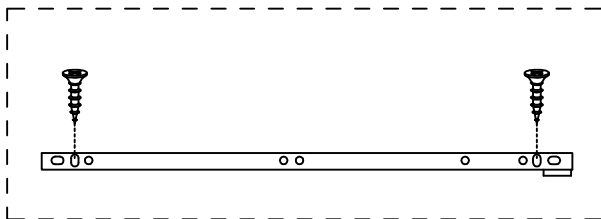
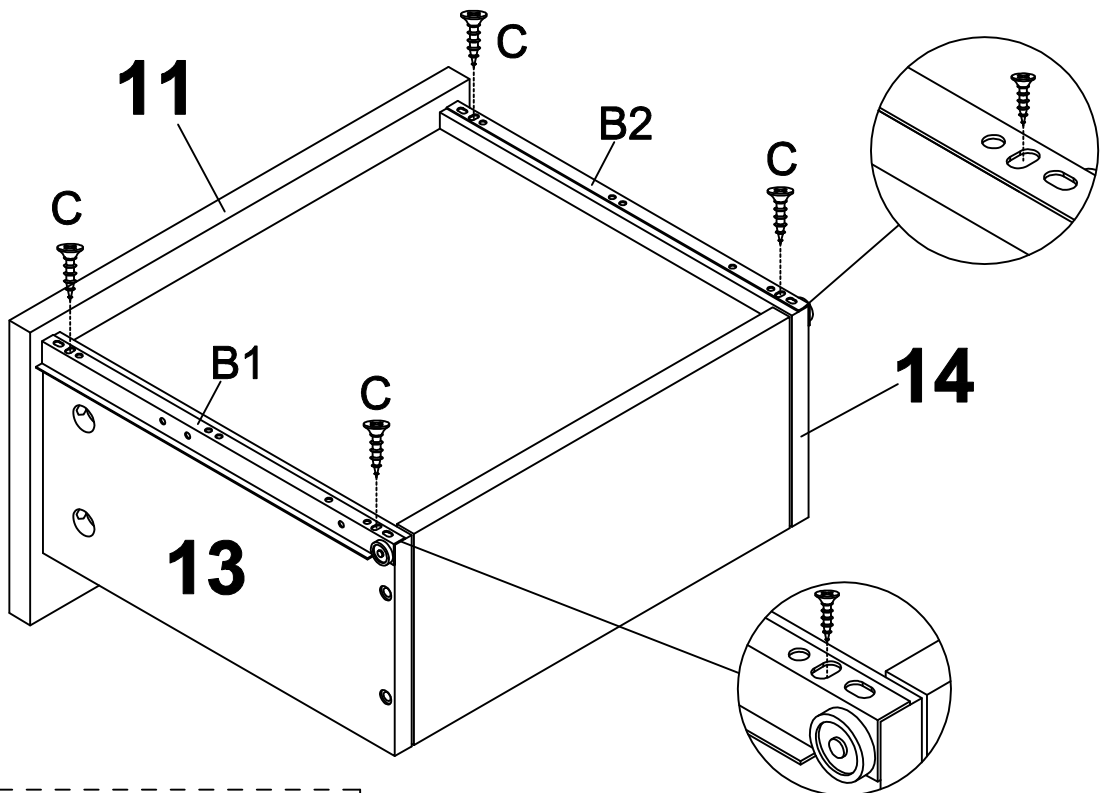
Step 14



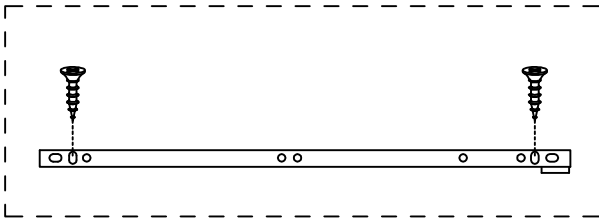
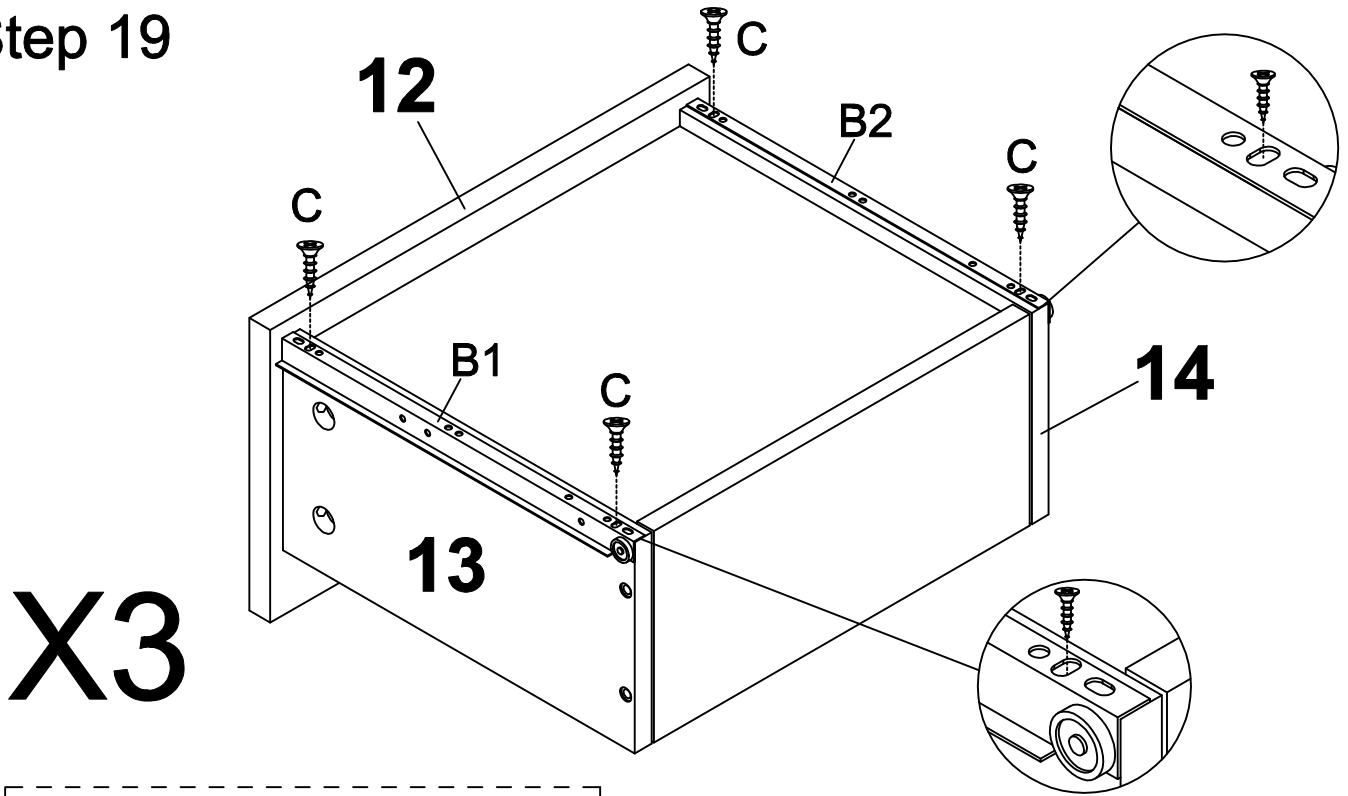
Step 15



Step 16

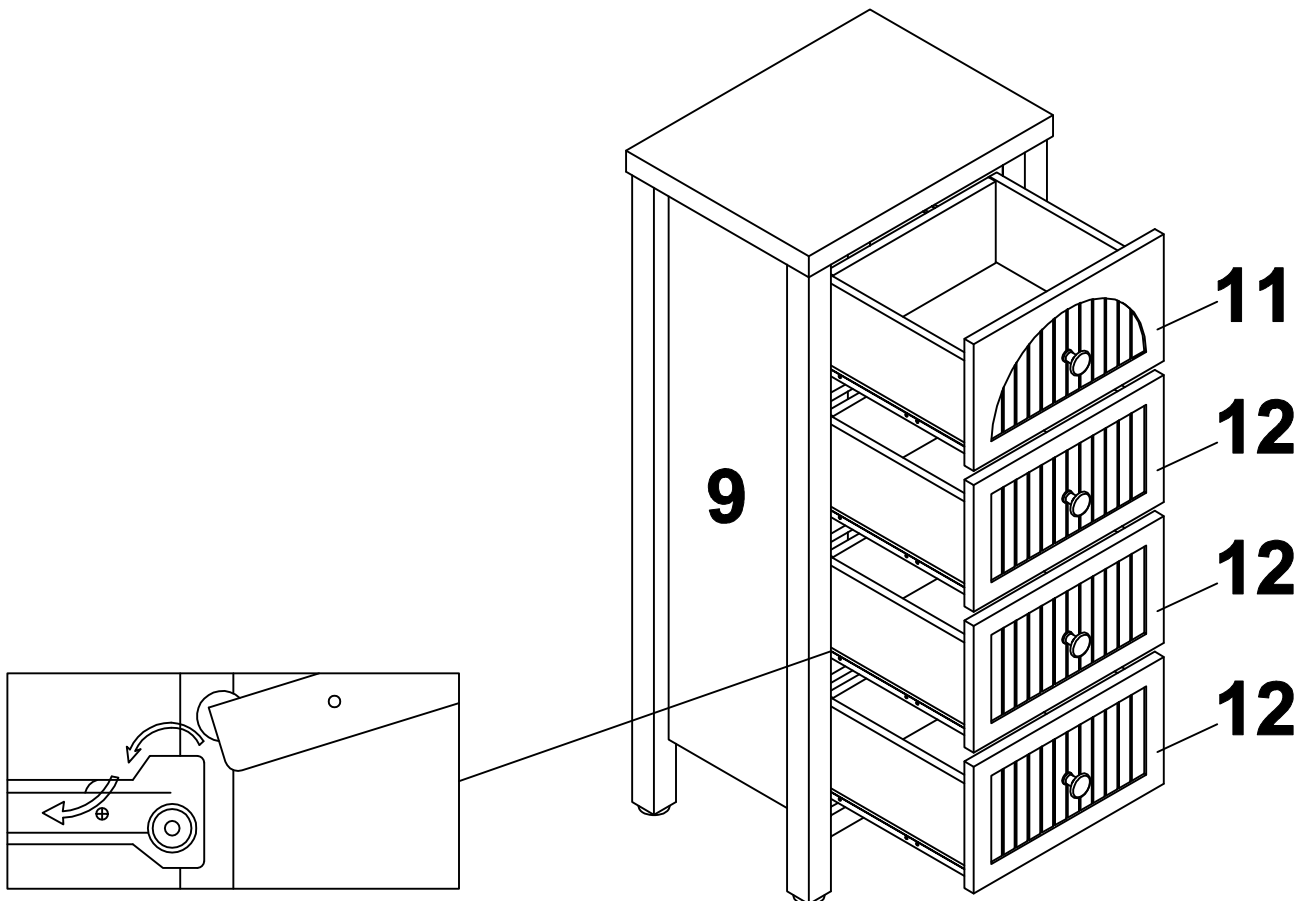


Step 19

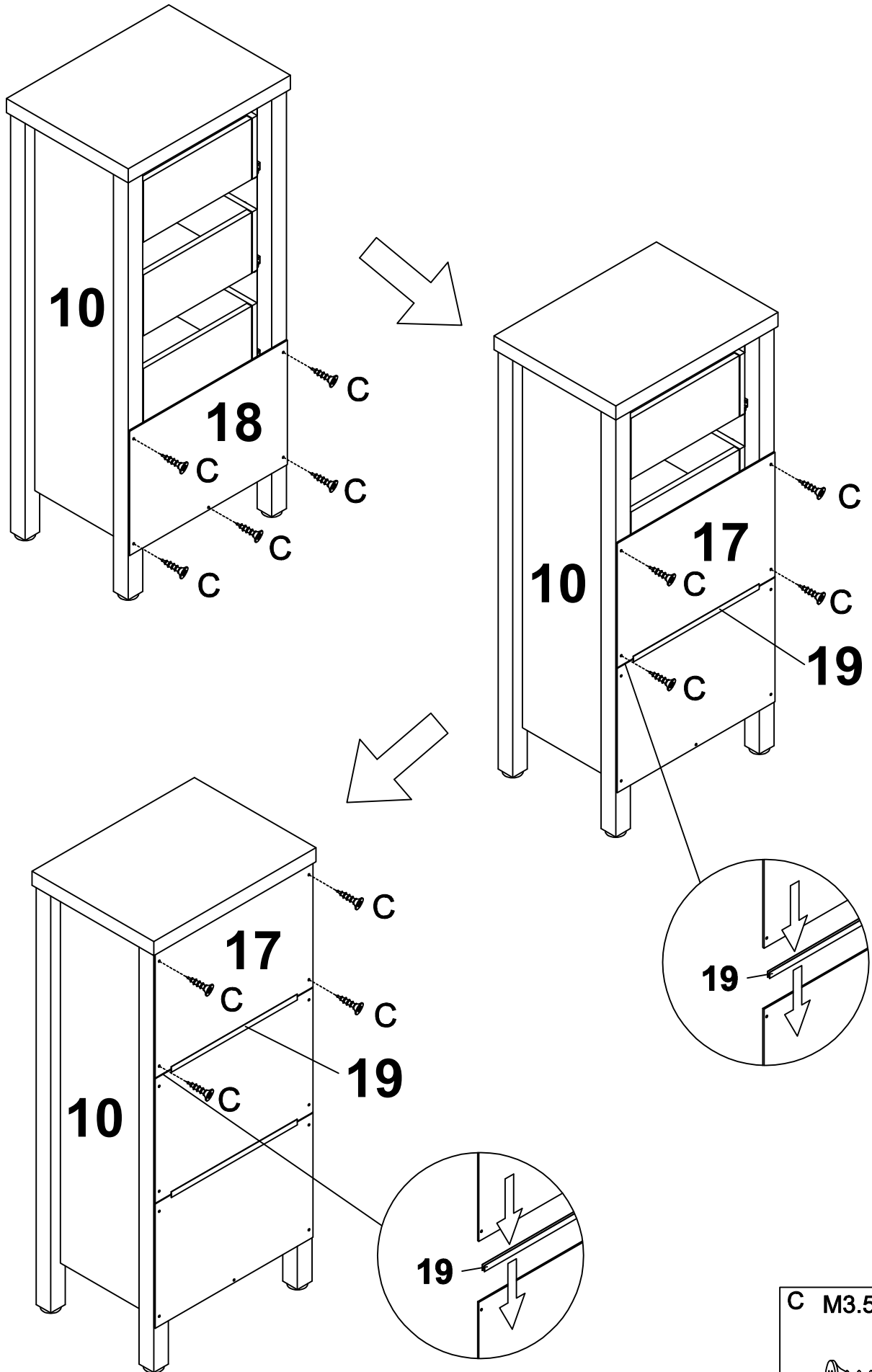


B1 x3	B2 x3	C M3.5x12 x12
---------------------	---------------------	-----------------------------

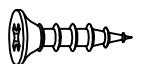
Step 20



Step 21

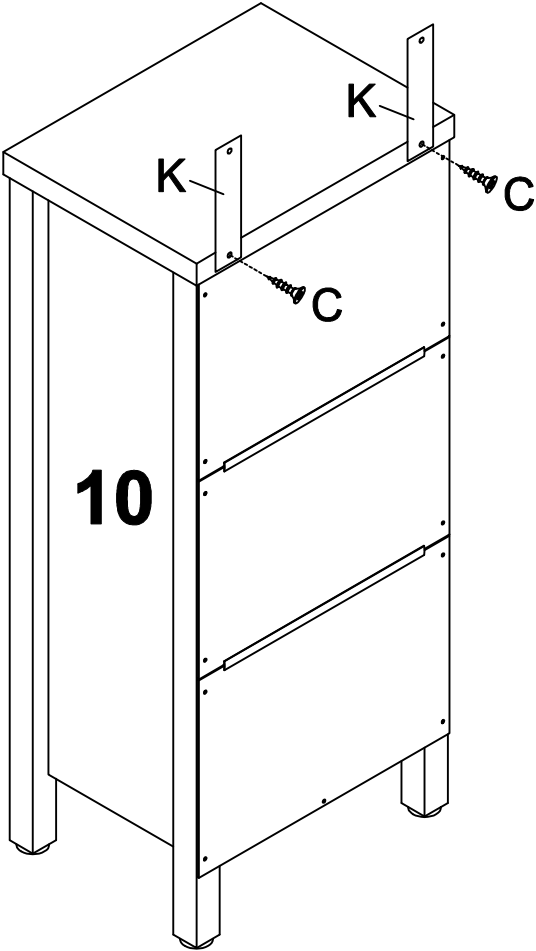


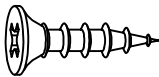
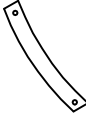
C M3.5x12



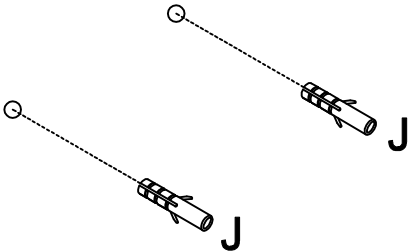
x13

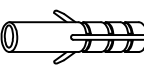
Step 22



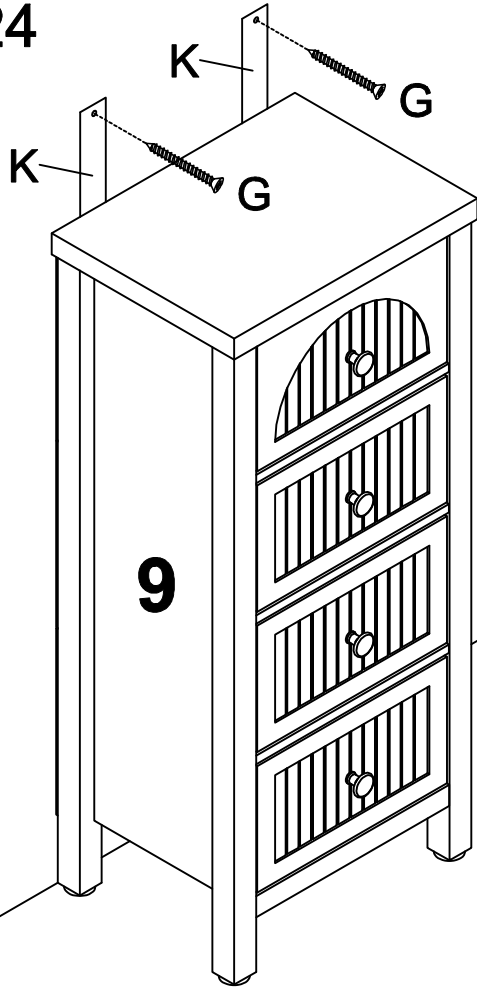
C M3.5x12  x2	K  x2
---	---

Step 23



J  x2
--

Step 24

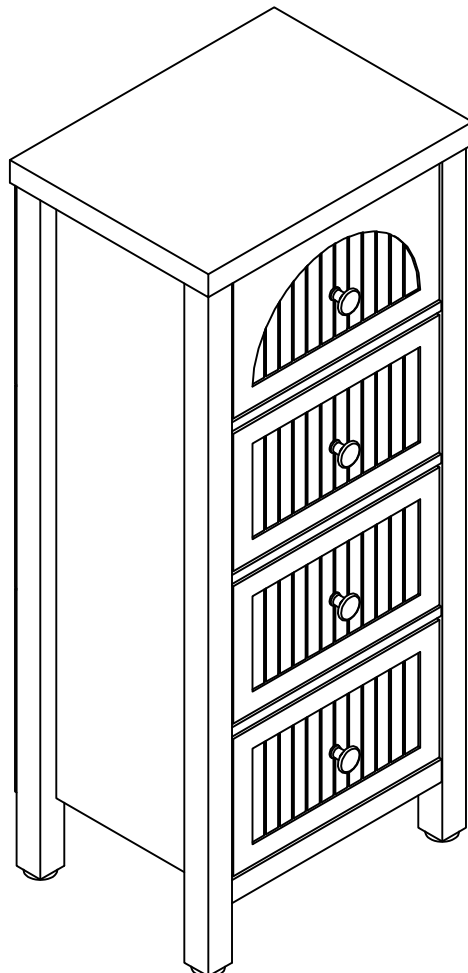


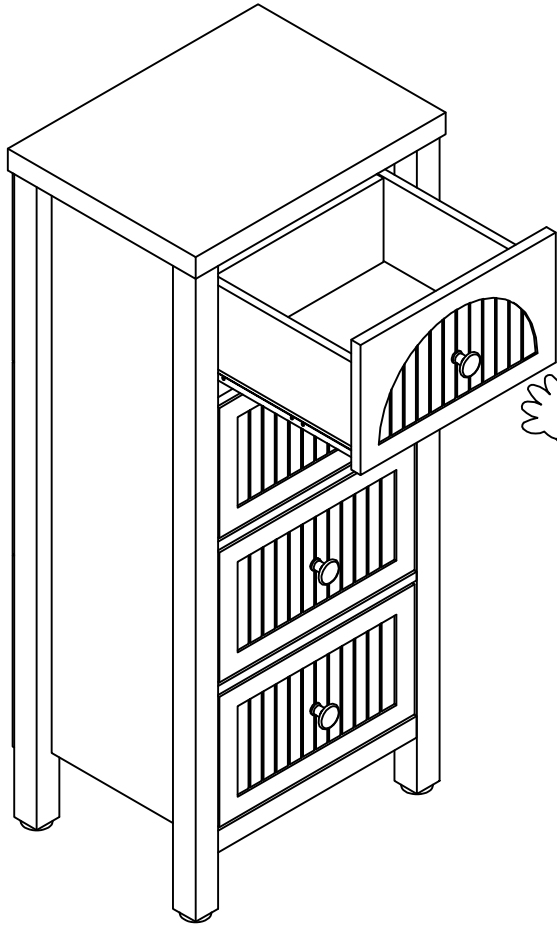
G M3.5x40



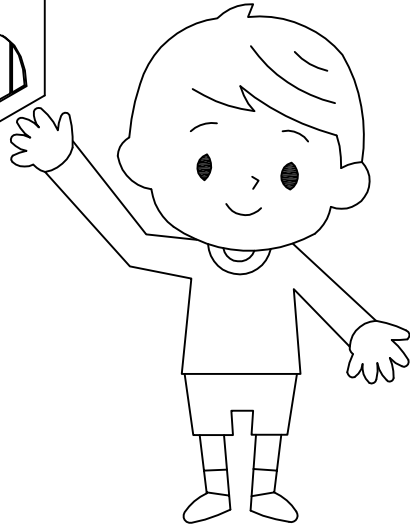
x2

Finish !!!





X



X