

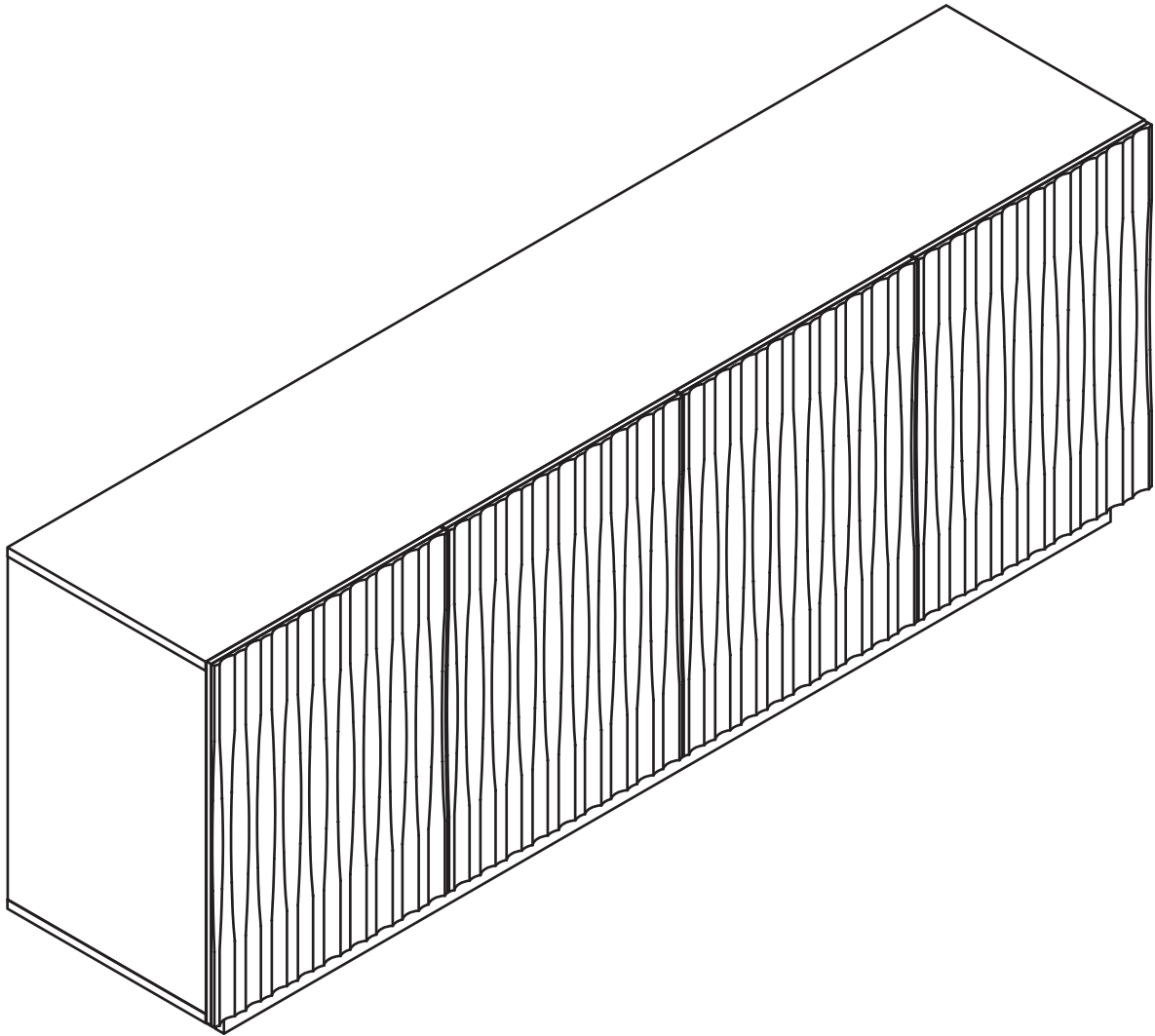
muwen



60 mins



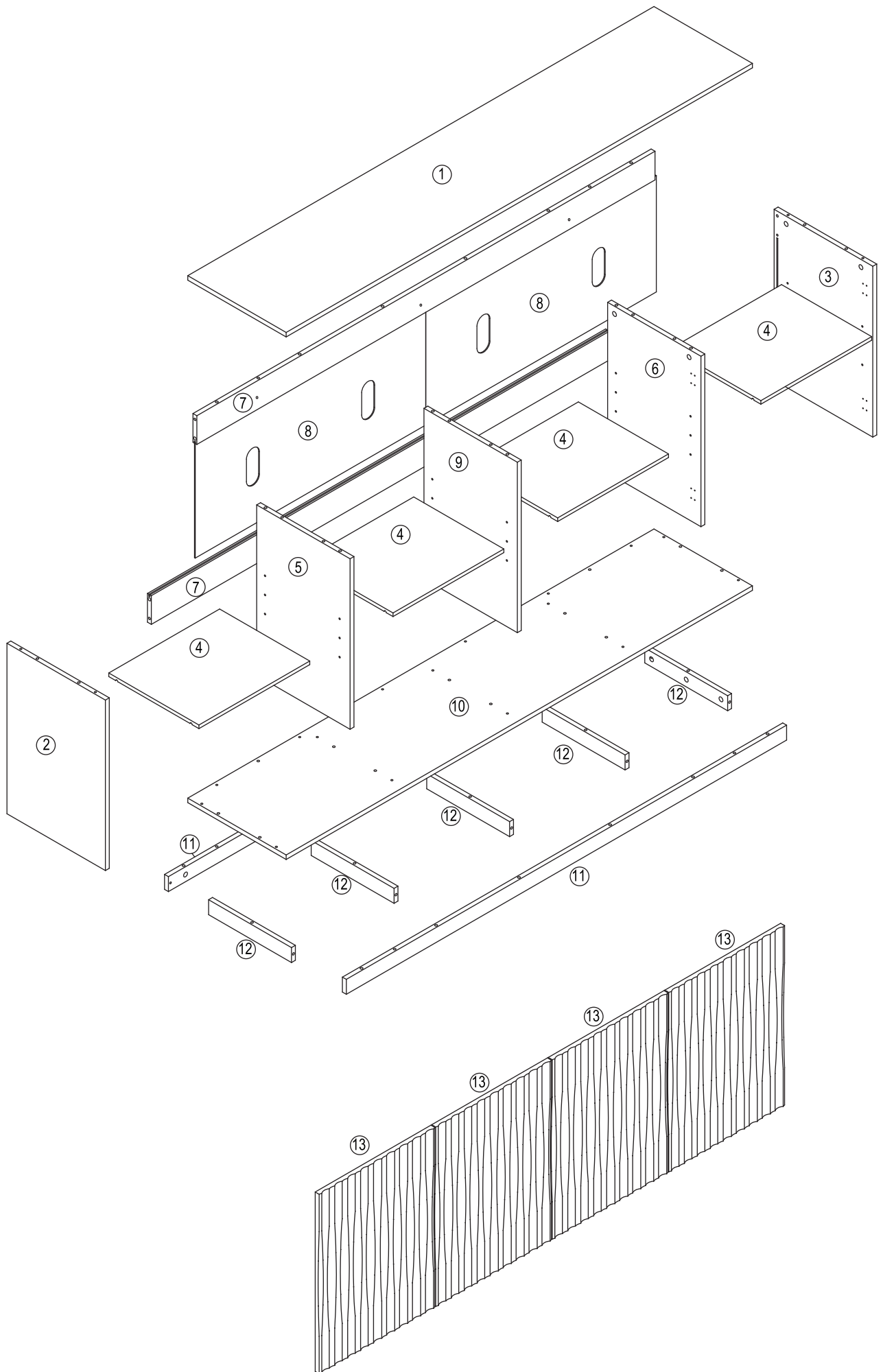
Dual-person



71" TV Stand

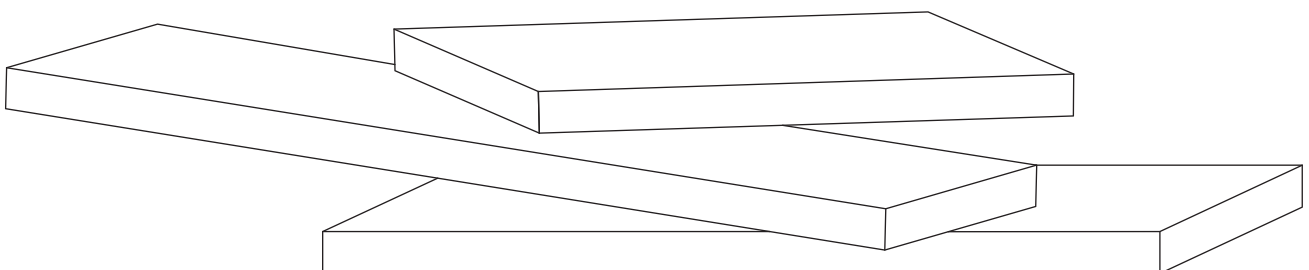
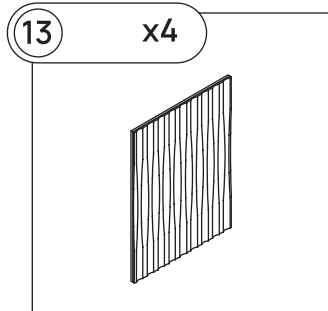
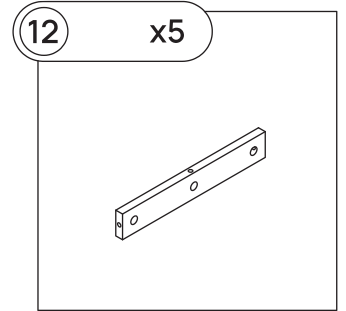
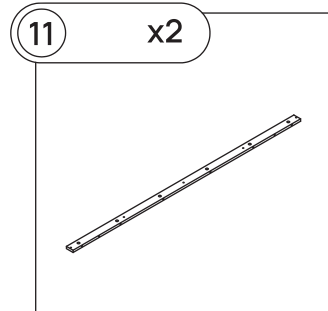
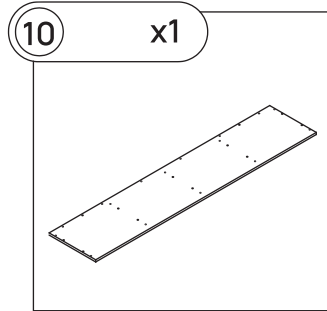
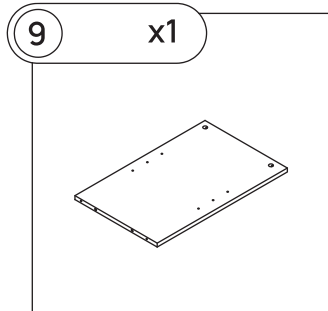
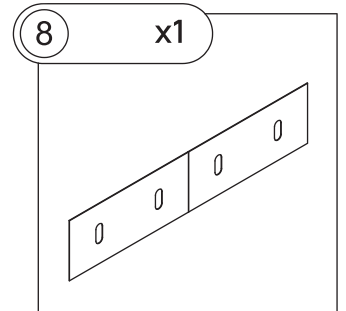
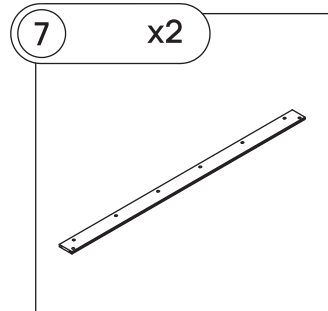
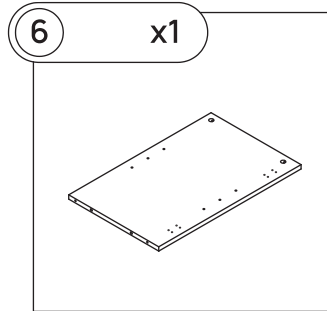
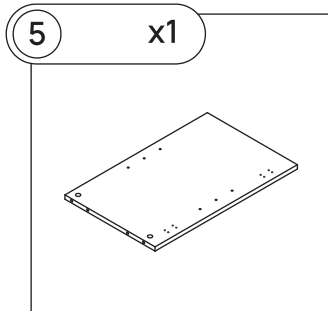
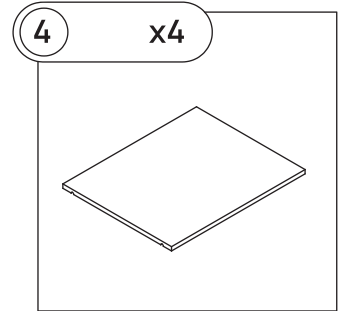
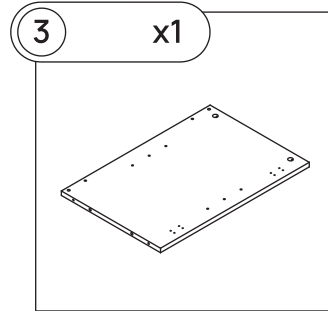
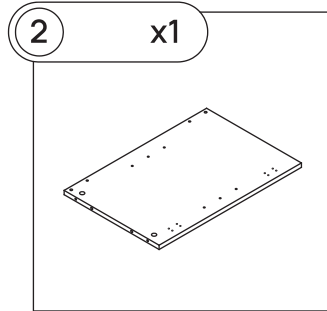
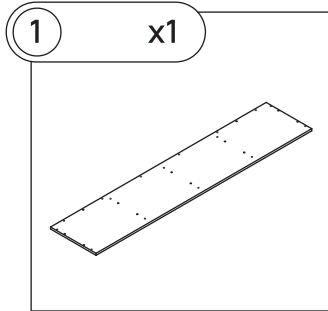
MW005

Assembly Instructions - Please keep for future reference
Important - Please read these instructions before assembly
Customer Support - support@muwenhome.com



Components

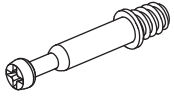
Please check if all the pieces listed below are received.



Components

Please check if all the pieces listed below are received.

A x53+2



ø6x33.5mm

B x53+2



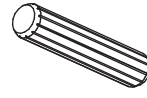
ø15x9.5mm

C x53+2



φ20

D x32+2



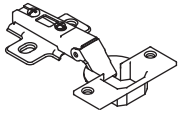
ø8x30mm

E x16+1



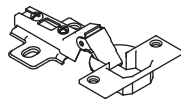
ø6x48mm

F x4



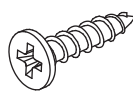
φ35

G x4



φ35

H x48+2



ø4 x 14mm

I x2



ø8x40mm

J x2



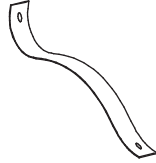
ø4x14mm

K x2

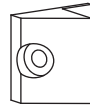


ø4x38mm

L x2

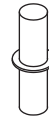


M x8



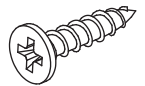
15x15x10mm

N x16+1



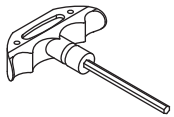
φ5x17 mm

O x8



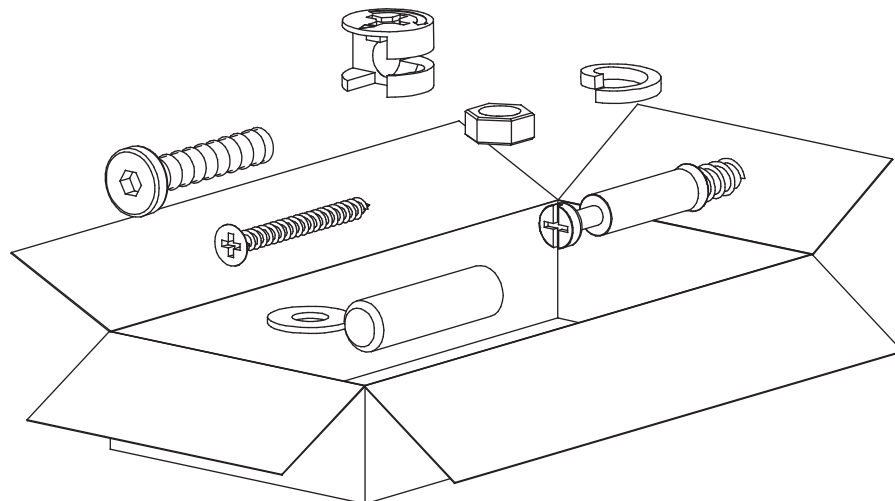
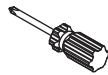
ø3 x 16mm

P x1

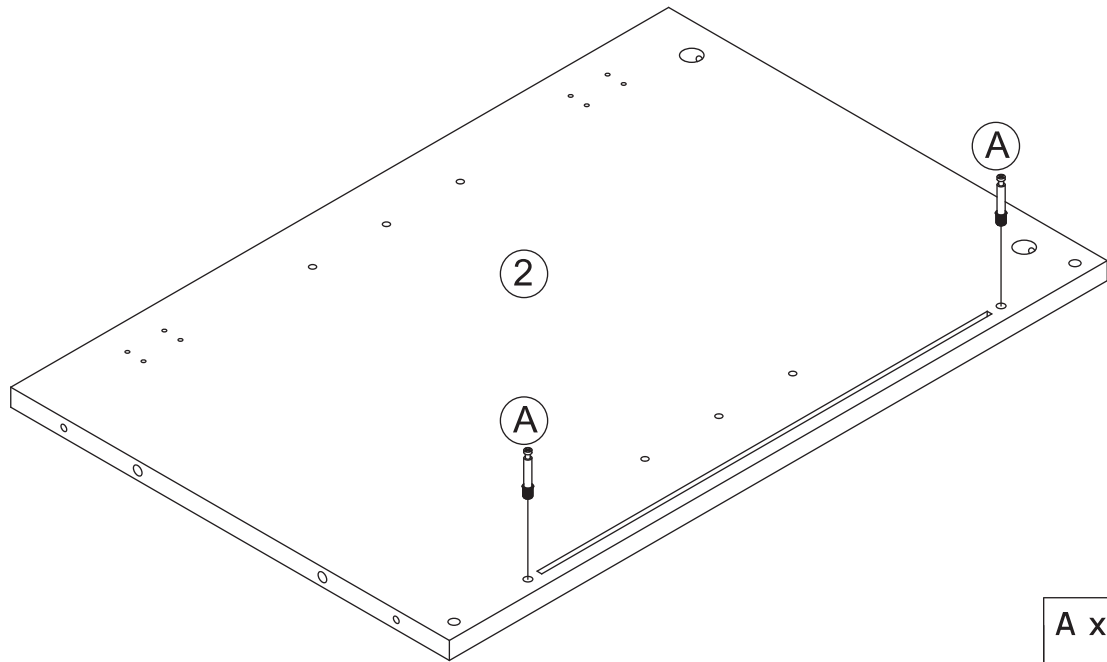


4mm

Q x1



Step 1

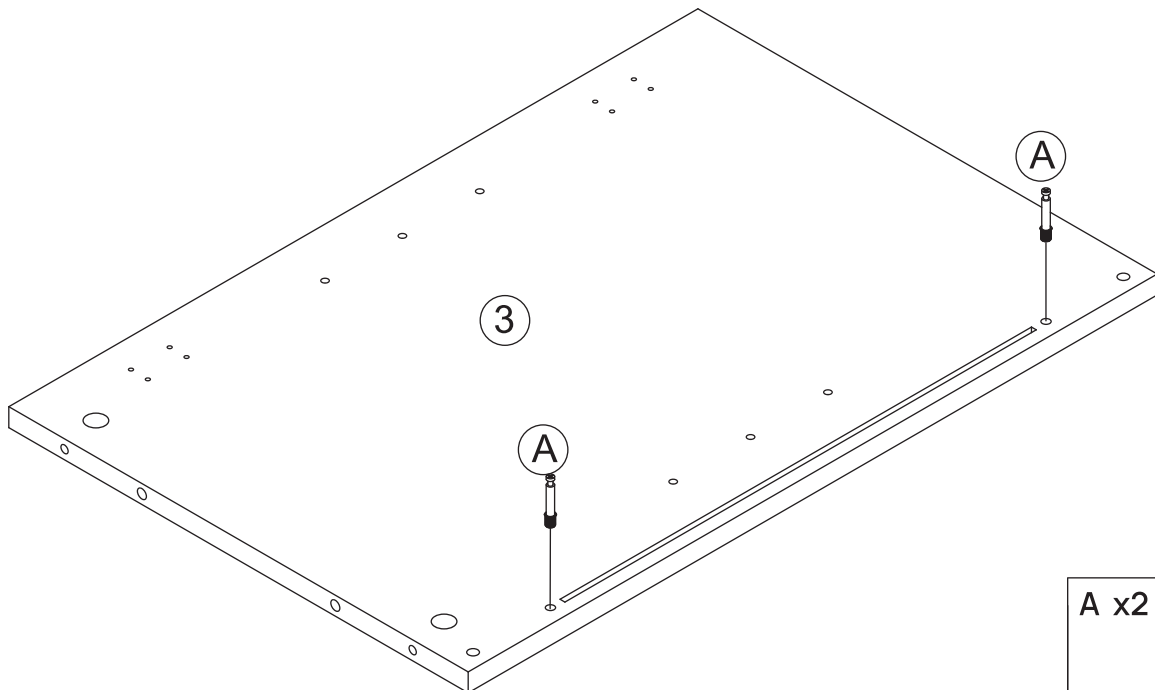


A x2

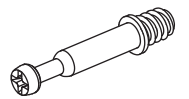


ø6x33.5mm

Step 2

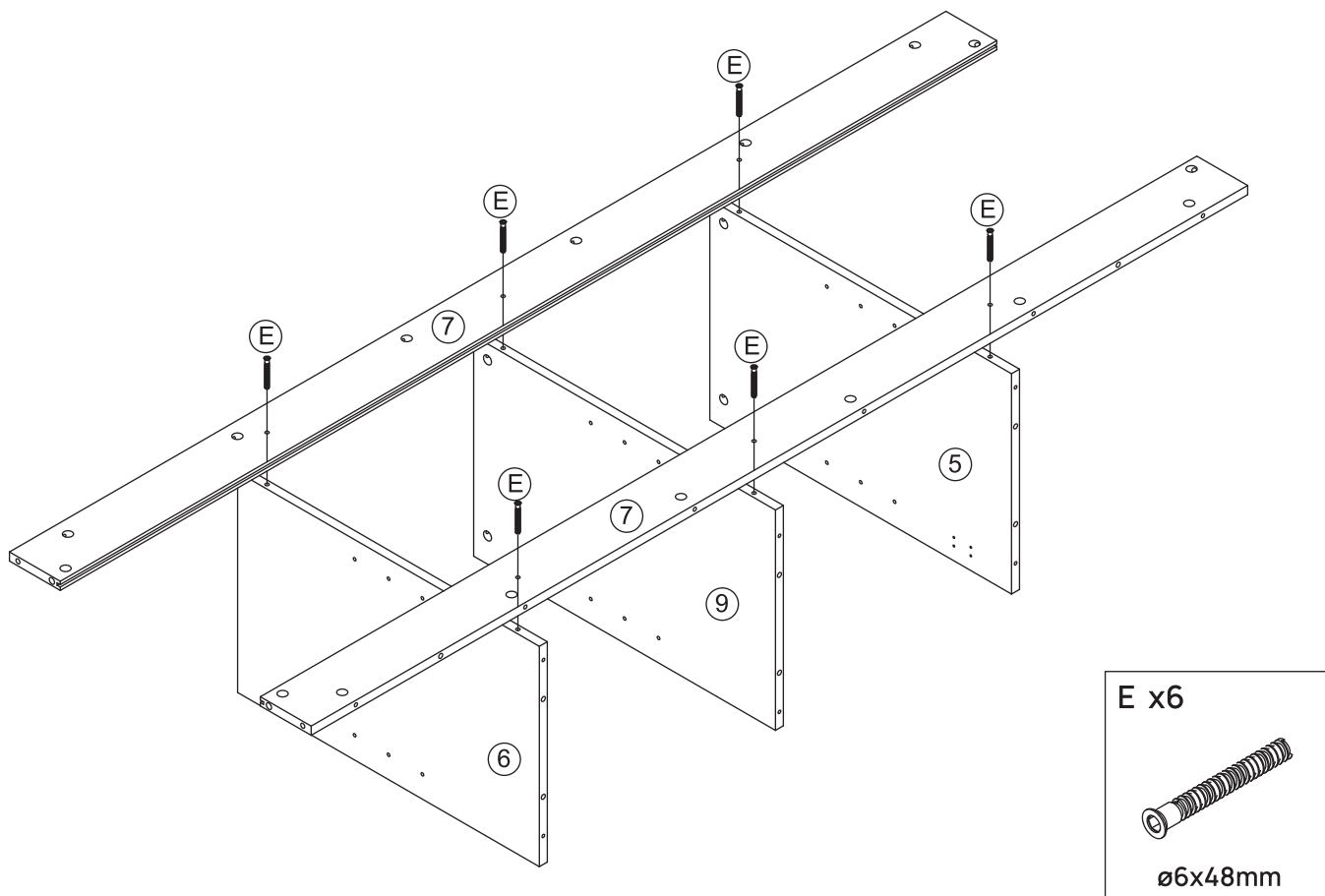


A x2

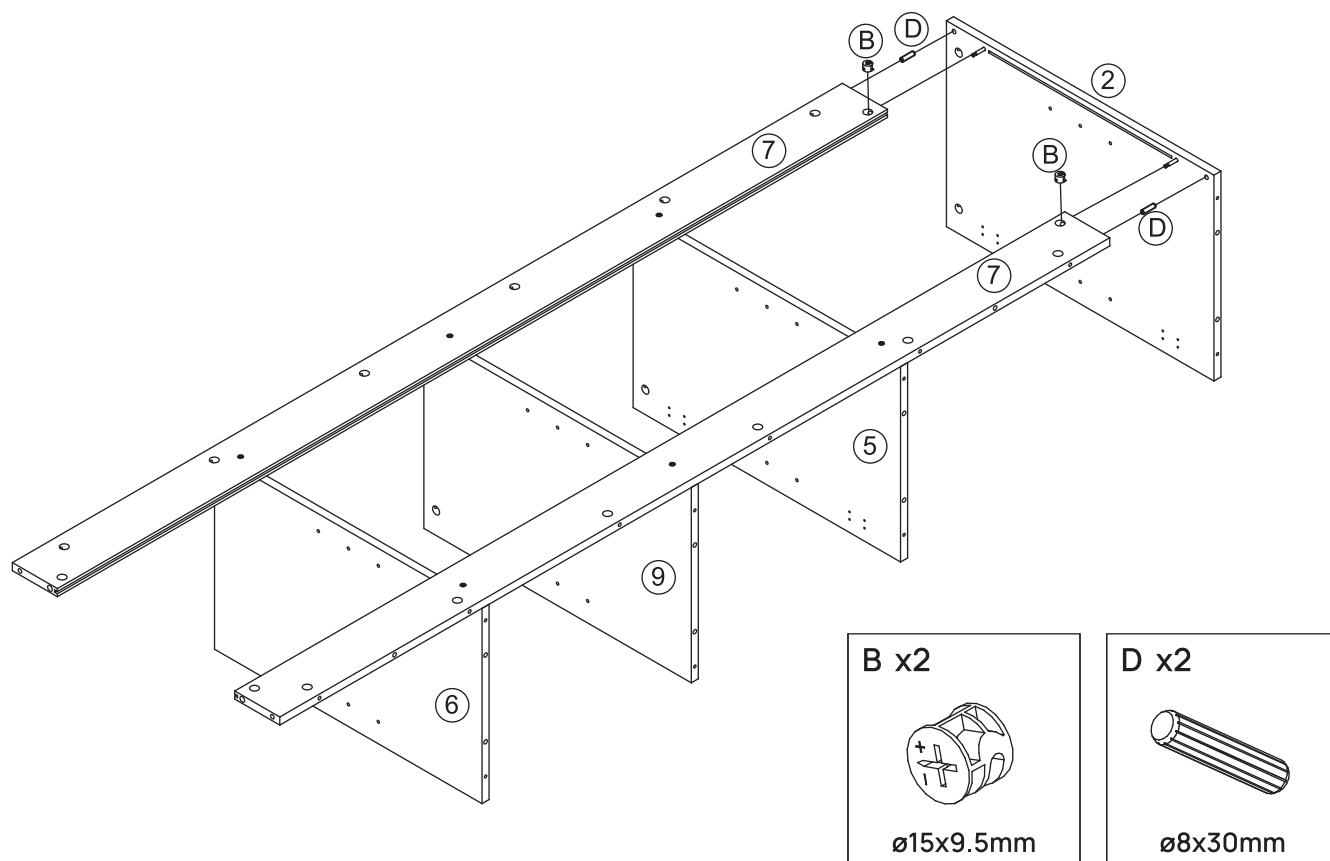


ø6x33.5mm

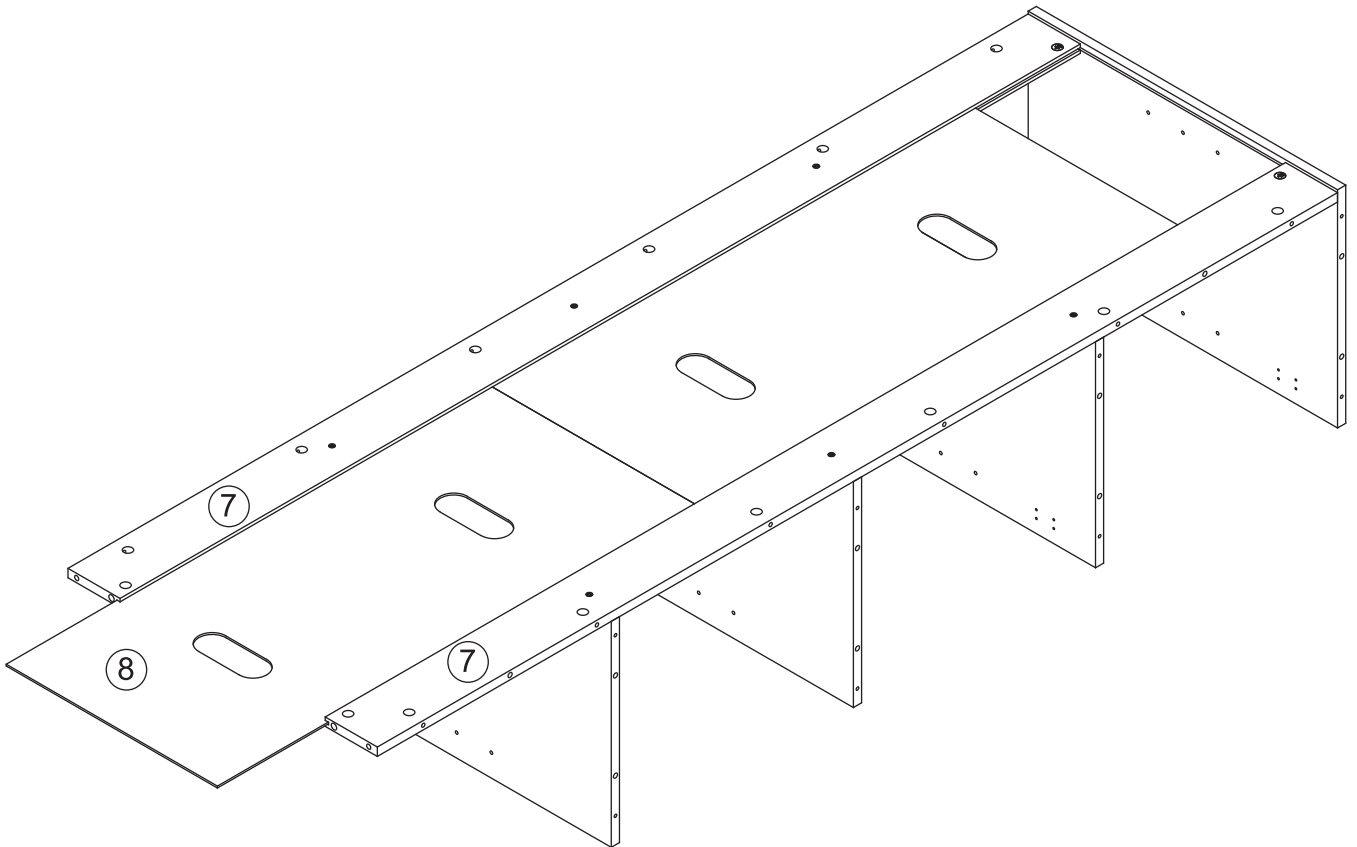
Step 3



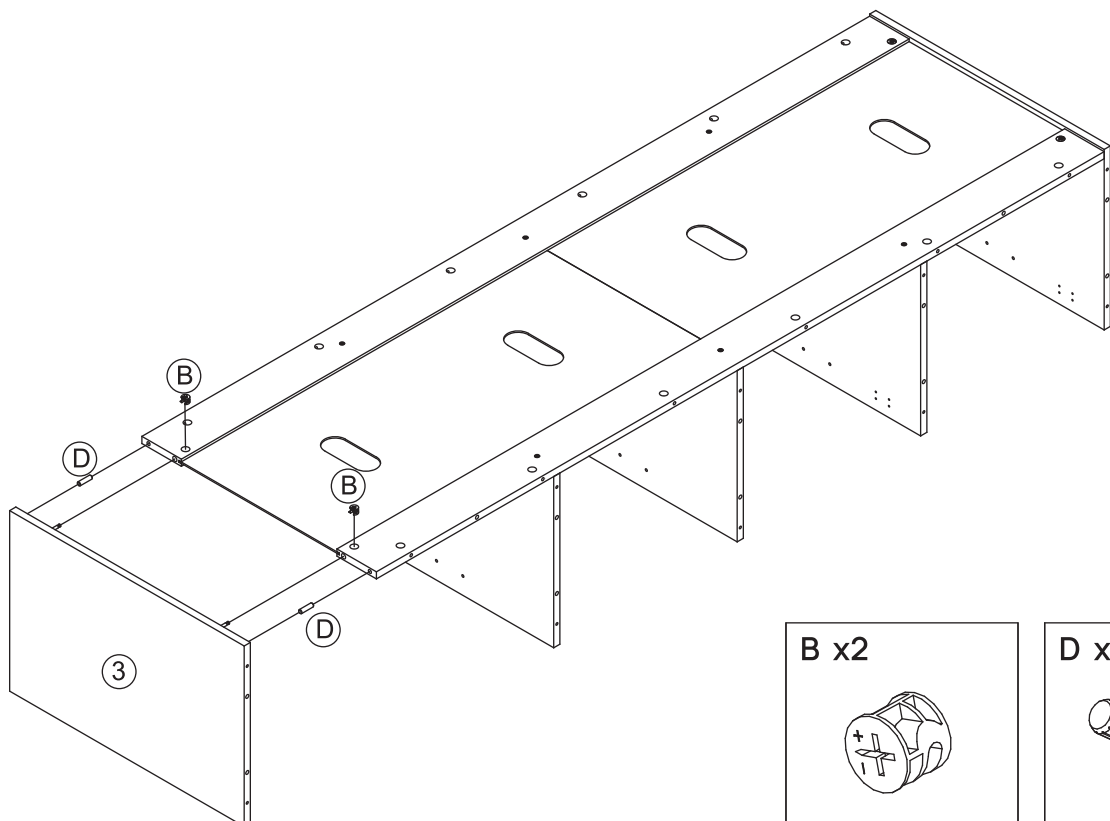
Step 4



Step 5



Step 6

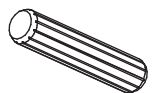


B x2



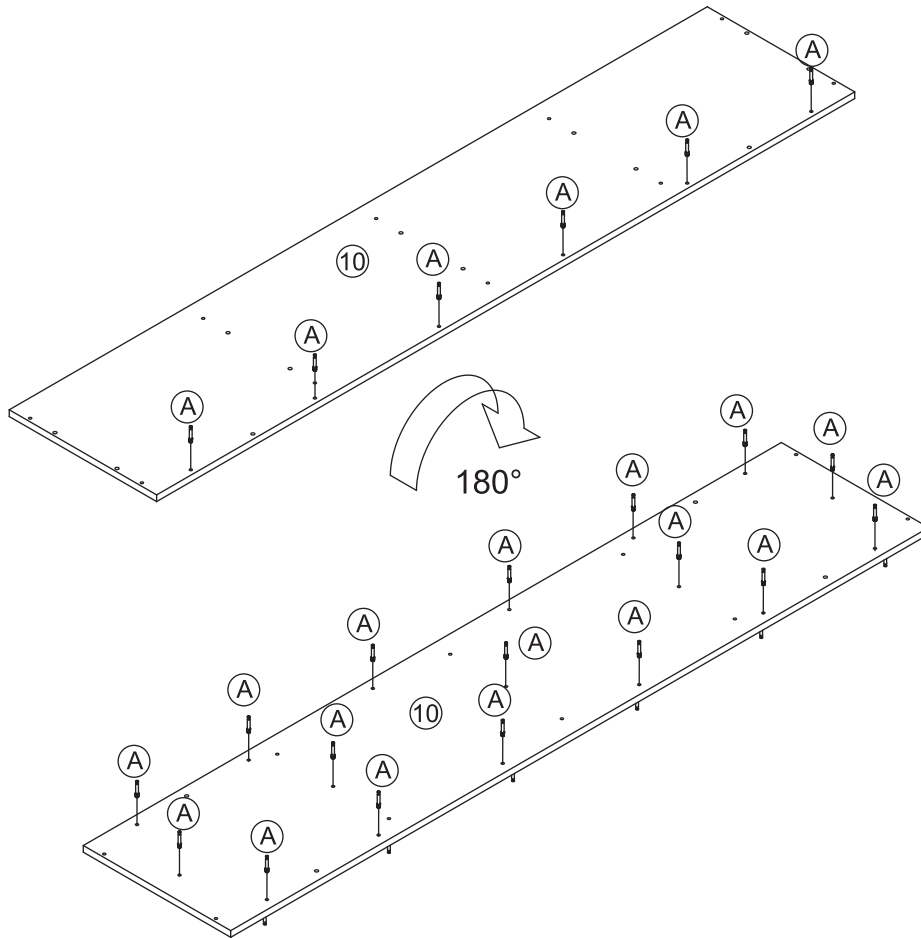
ø15x9.5mm

D x2

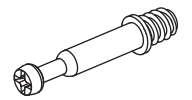


ø8x30mm

Step 7

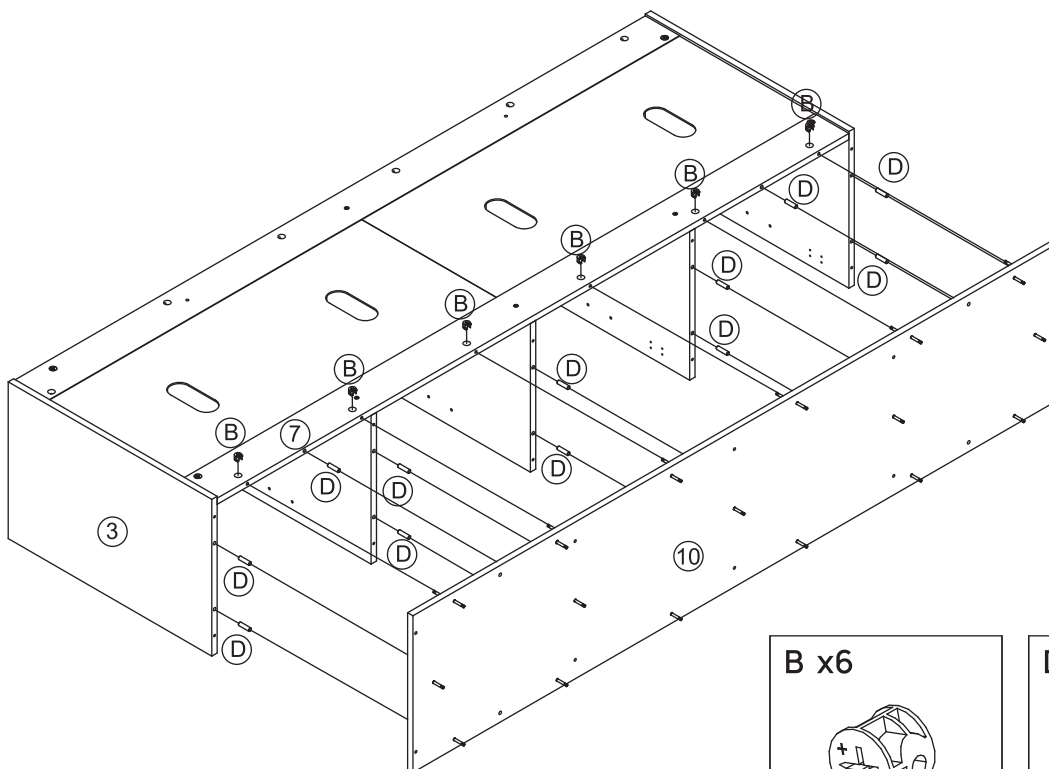


A x23



ø6x33.5mm

Step 8

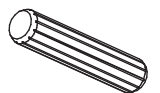


B x6



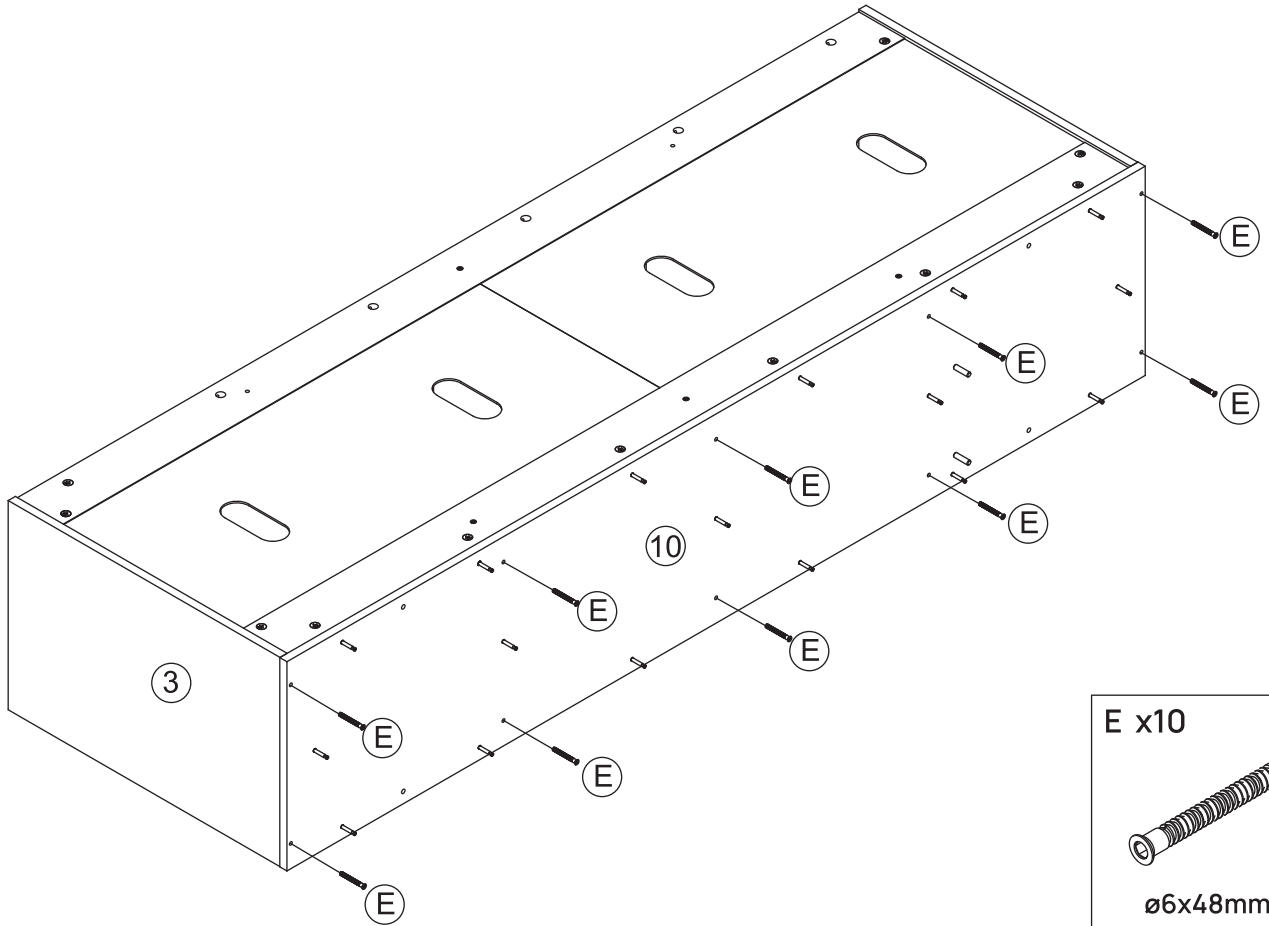
ø15x9.5mm

D x12

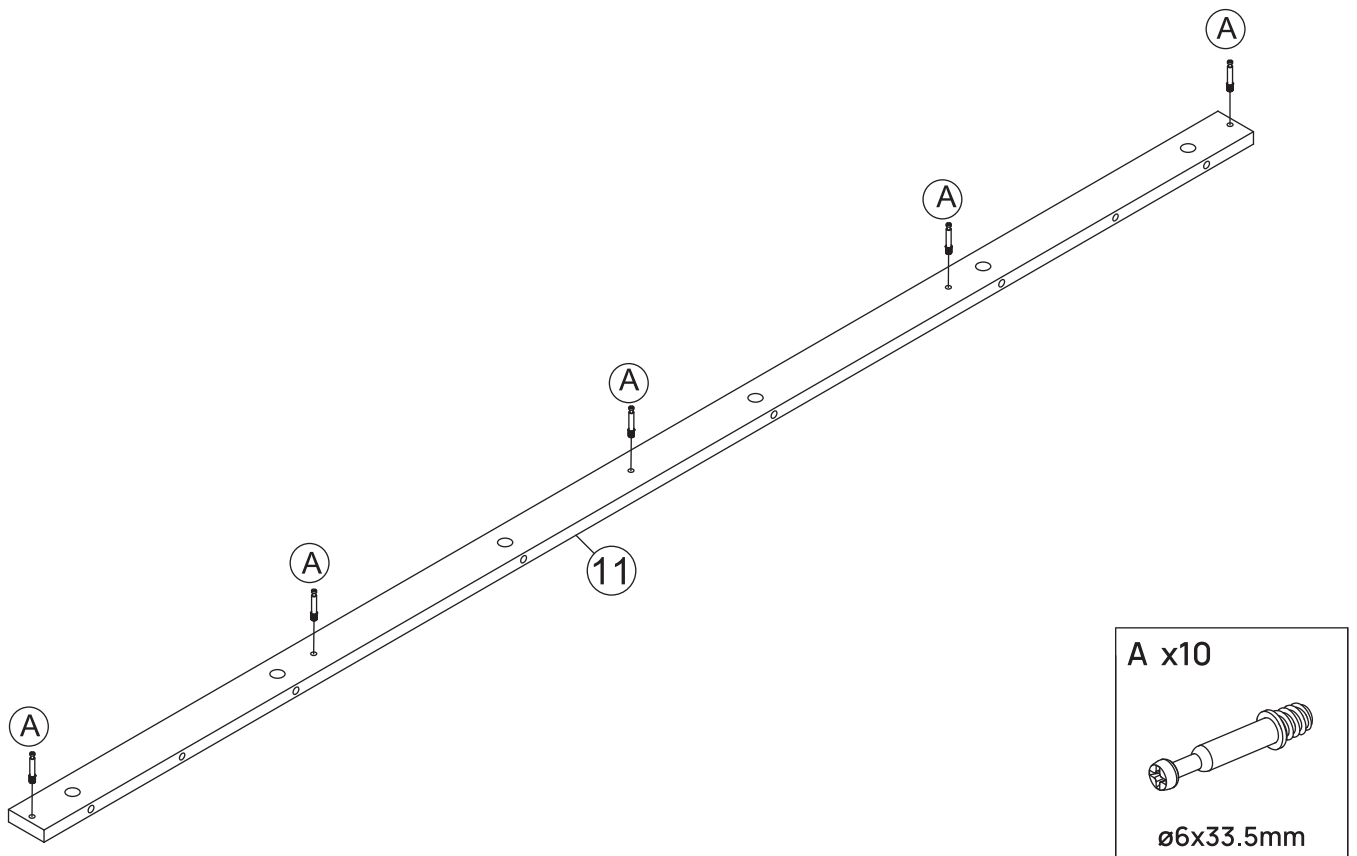


ø8x30mm

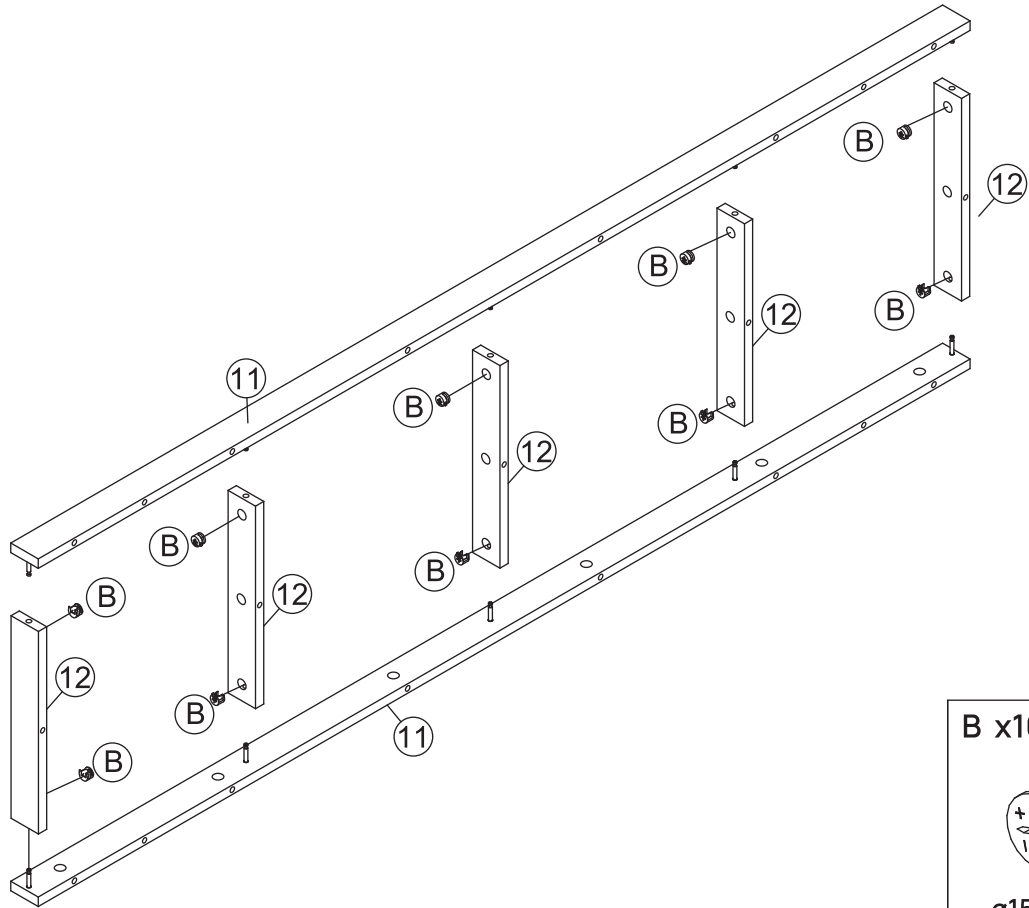
Step 9



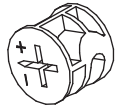
Step 10



Step 11

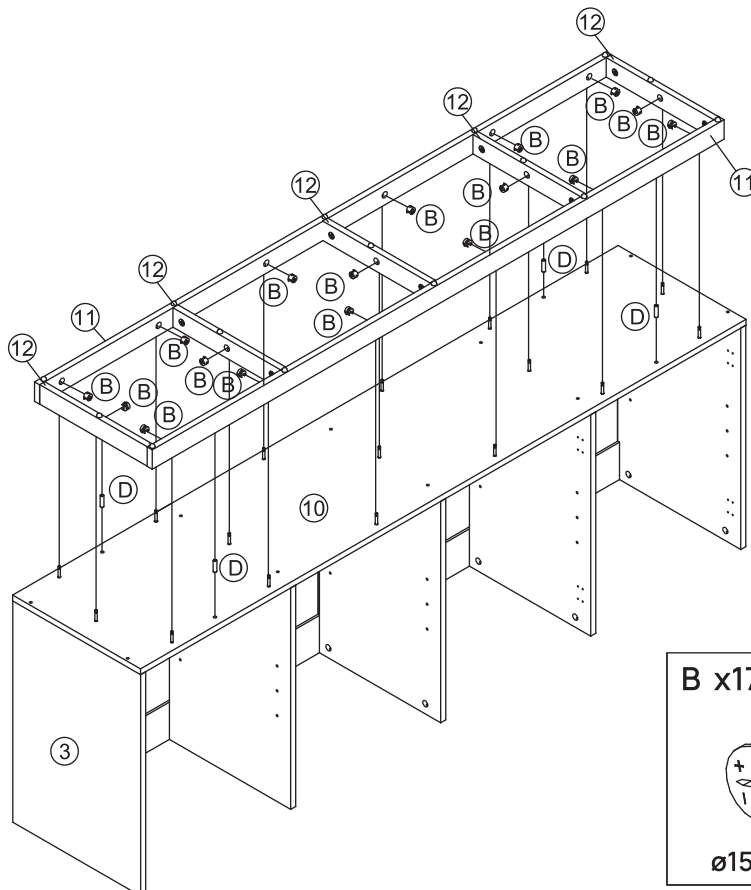


B x10

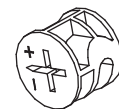


ø15x9.5mm

Step 12

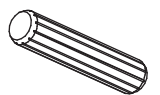


B x17



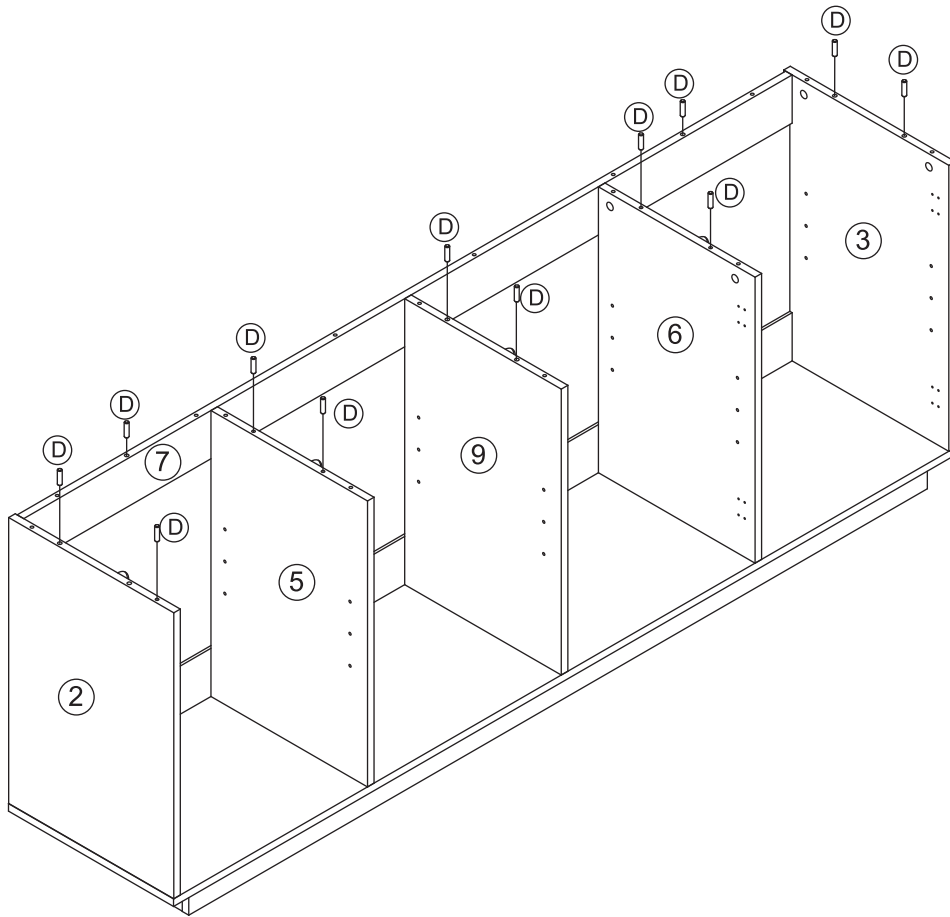
ø15x9.5mm

D x4

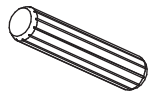


ø8x30mm

Step 13

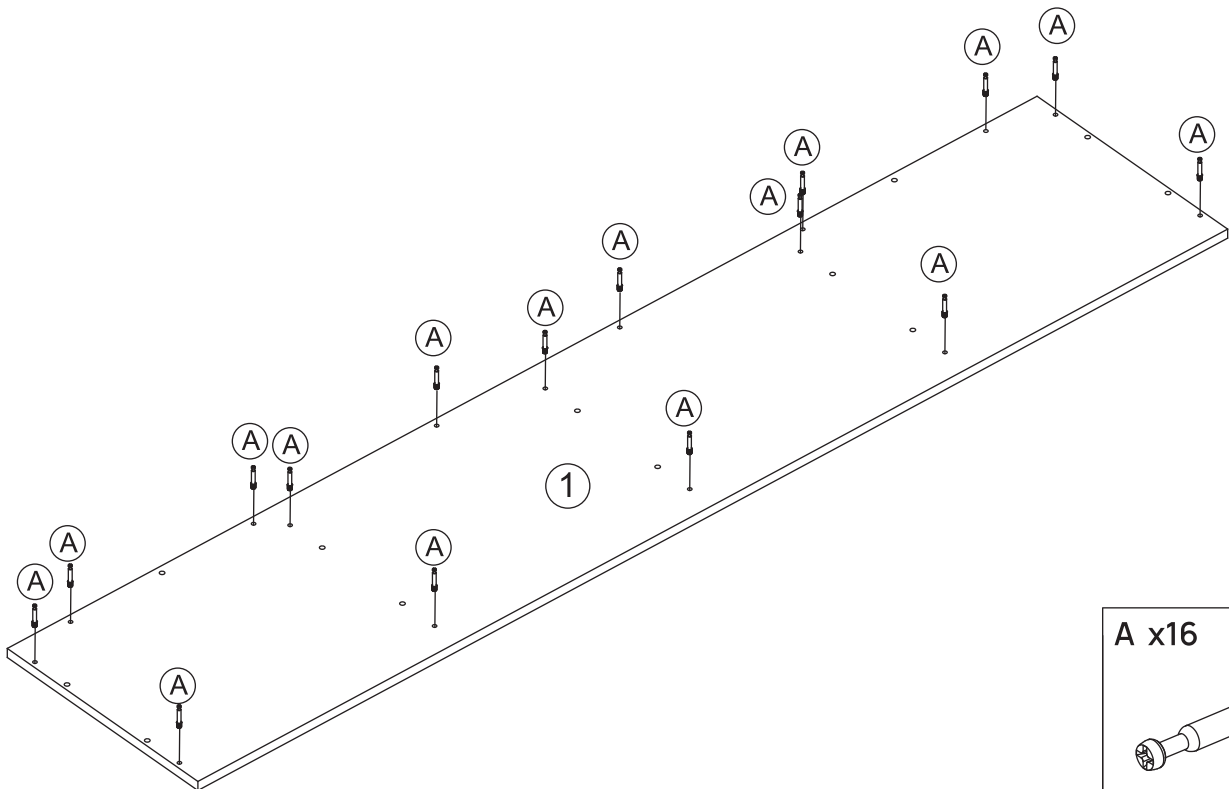


D x12

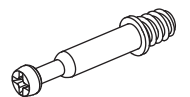


ø8x30mm

Step 14

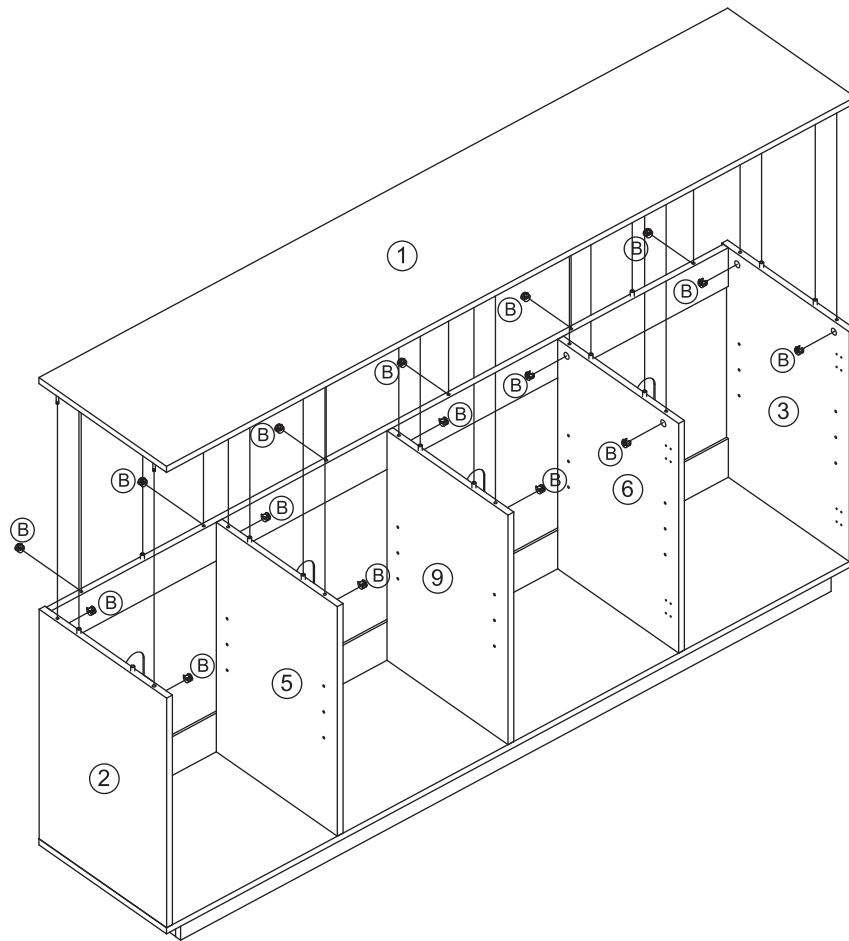


A x16



ø6x33.5mm

Step 15

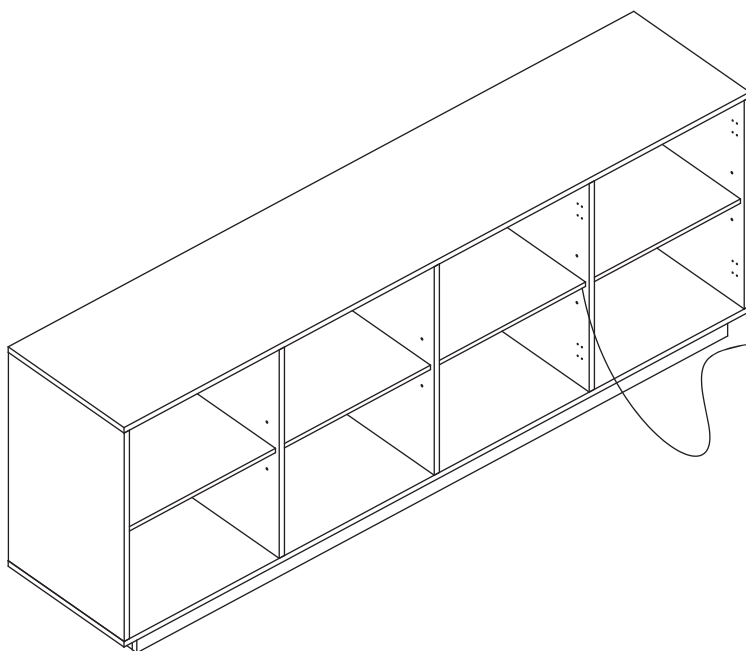


B x16

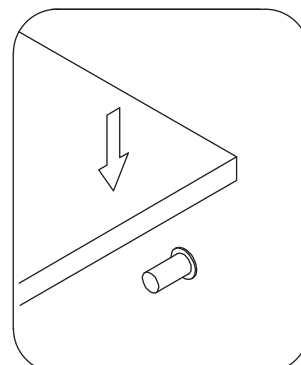


ø15x9.5mm

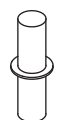
Step 16



N x16

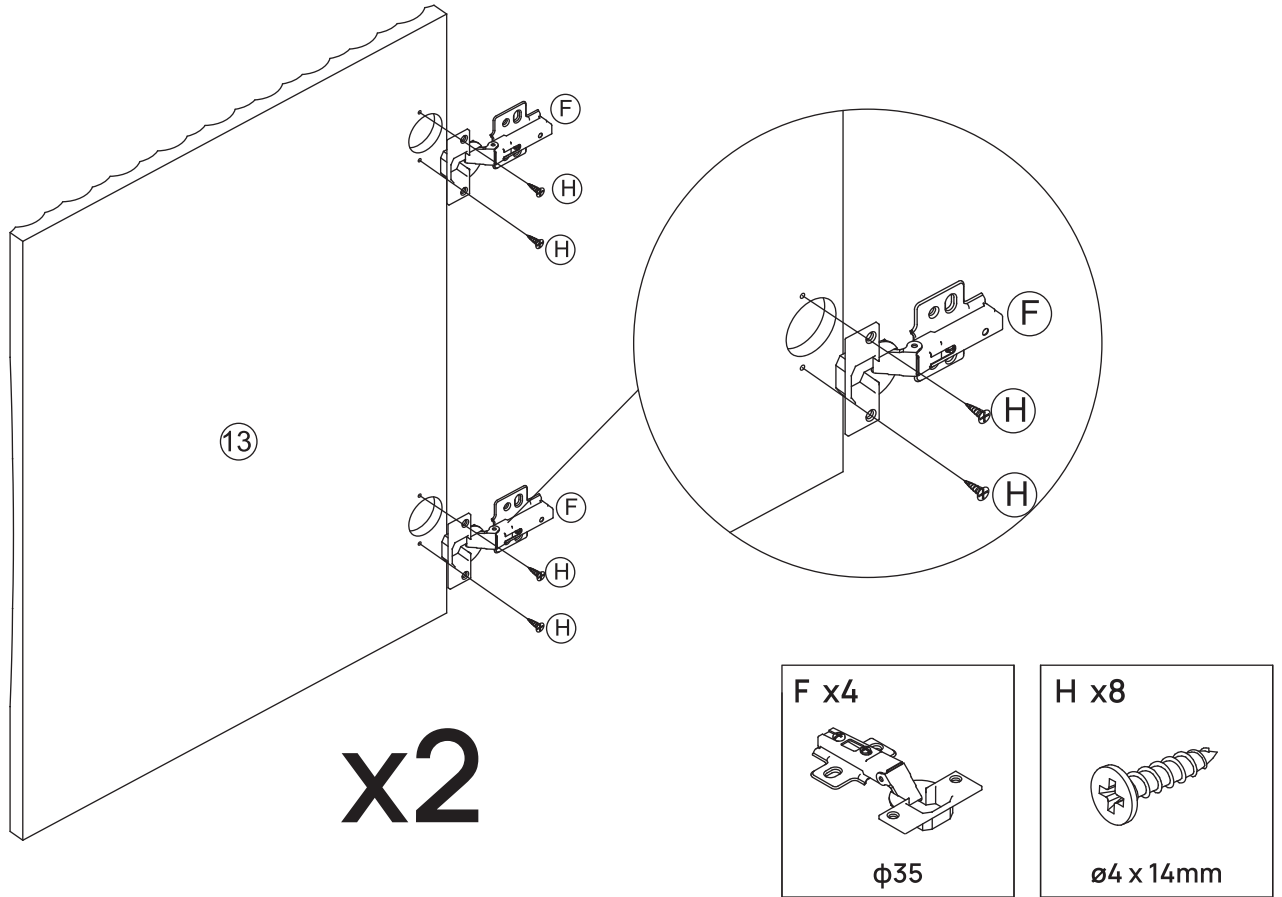


N x8

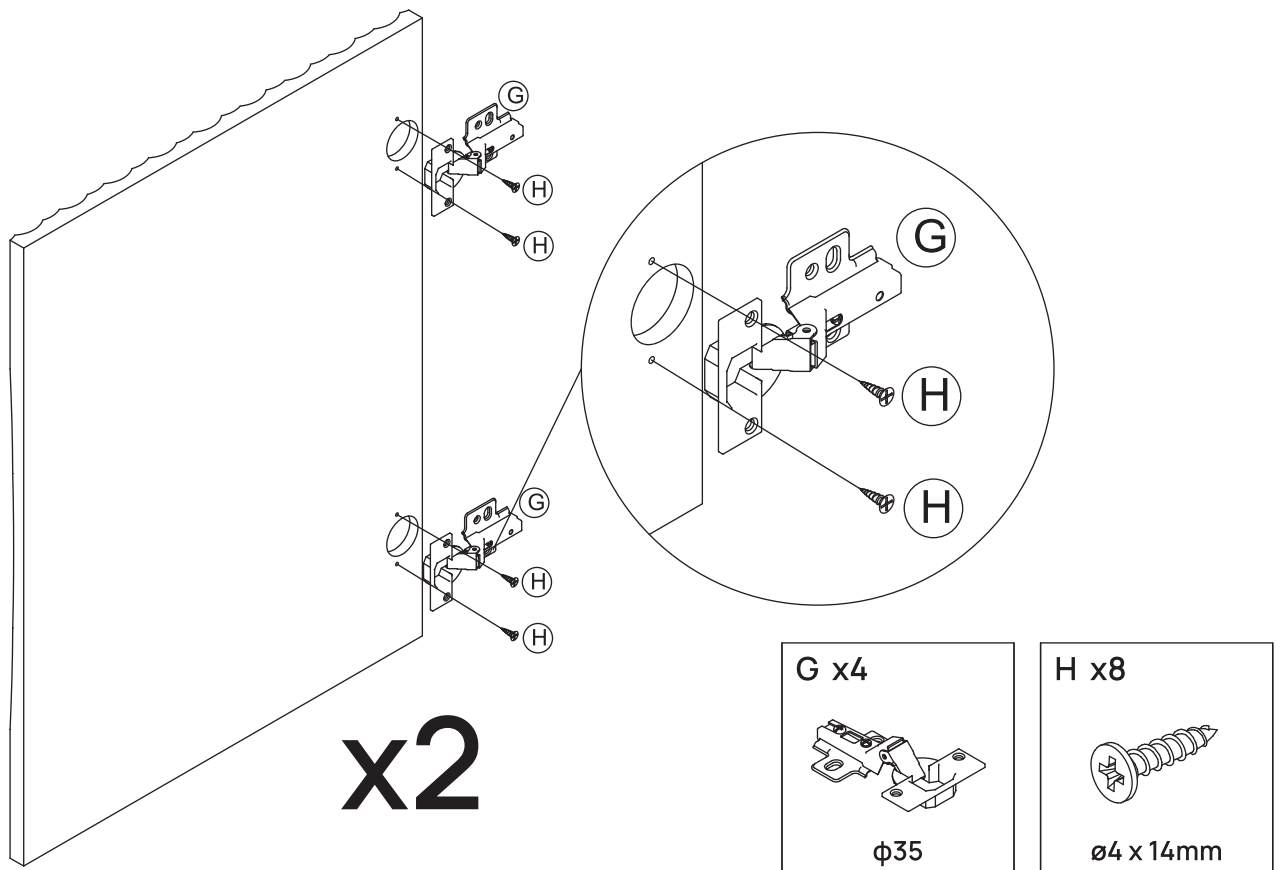


ø5x17 mm

Step 17

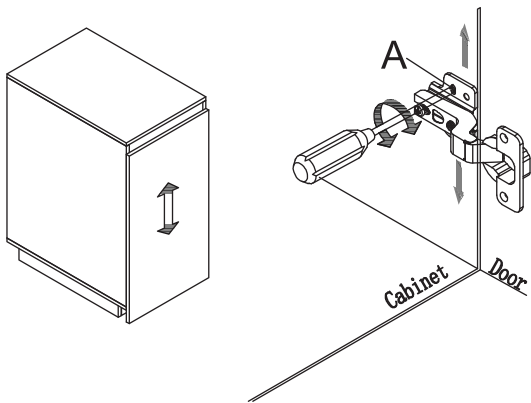
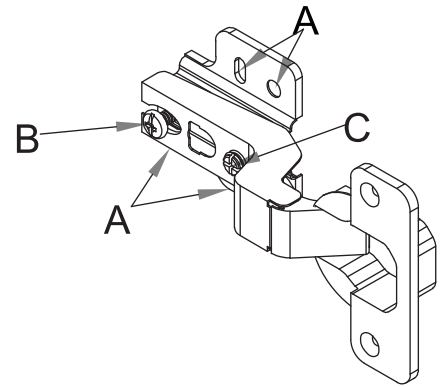


Step 18



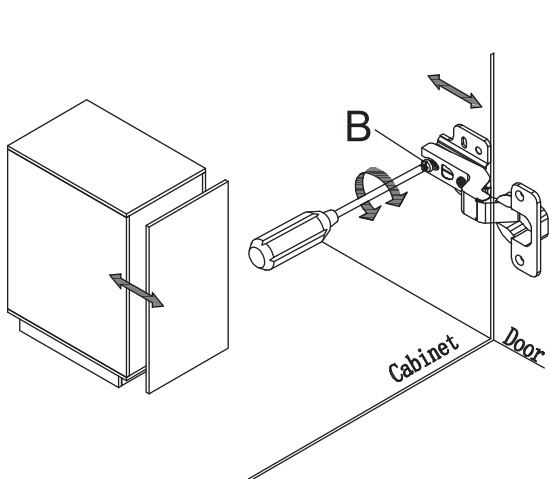
Step 19

YOU WILL USE HINGE ADJUSTMENT INSTRUCTION ON THIS PAGE FOR THE NEXT STEP.



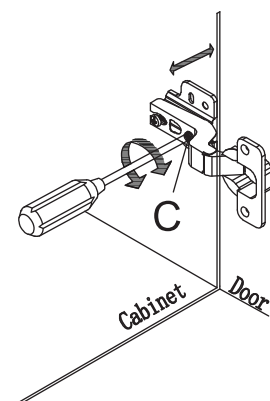
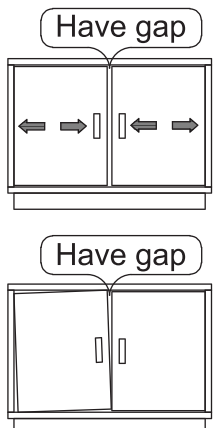
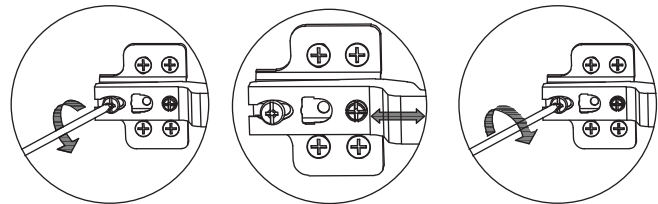
If you find a large gap above or below the door.

To adjust the vertical height.
Loosen the four screws "A" on both hinges.
Two of them are usually in slotted holes which allows you to adjust up or down by a few mm.
Then tighten back up.



If you find the door is too protruding or too inside.

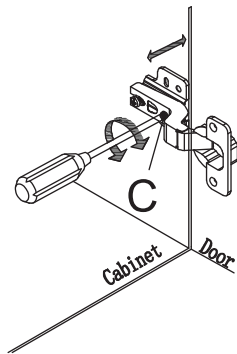
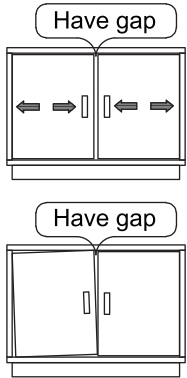
To adjust depth.
Loosen screw "B" on both hinges and move the door to suit. If the door doesn't move, turn screw "C" on both hinges 1-2 turns and try again. Finally, tighten both screw "B" and reset both screw "C".



If you find a large gap between or beside the doors.
Don't worry, it's not the problem with product.

To adjust side ways.
Turn screw "C" clockwise or counterclockwise on both hinges until the door is in the desired position.

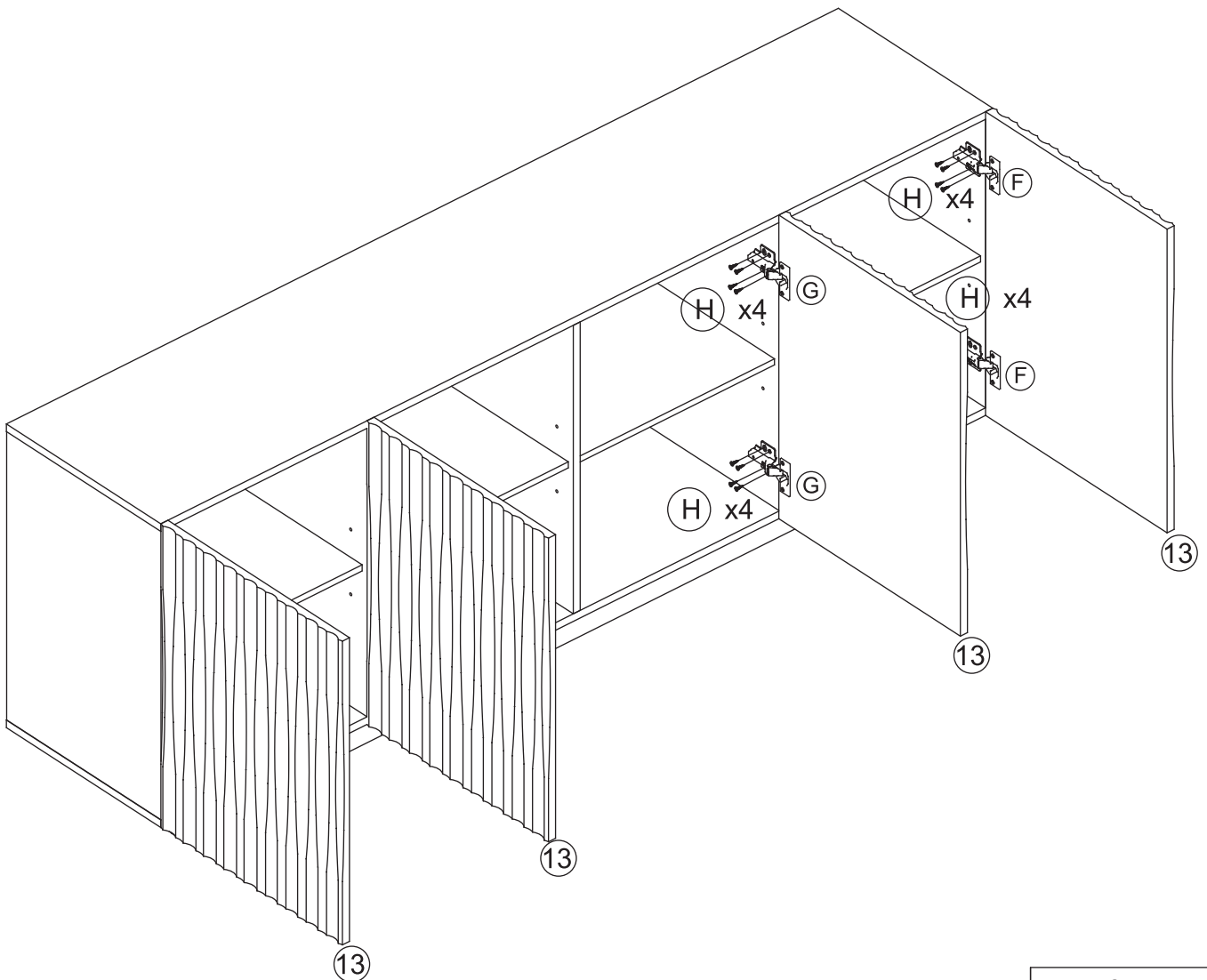
Step 20



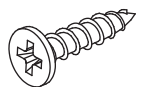
If you find a large gap between or beside the doors. Don't worry, it's not the problem with product.

To adjust side ways.

Turn screw "C" clockwise or counterclockwise on both hinges until the door is in the desired position.



H x32



ø4 x 14mm