



Underscore® Rectangle

60" x 36" drop-in BubbleMassage™ air bath
K-1849-G

Features

- 122 airjets release thousands of bubbles that surround, support, and massage the body.
- Variable-speed blower lets you adjust massage intensity to 18 levels.
- Zones of Control™ feature allows you to target massage to back, midsection, or feet.
- Lighted keypad control.
- Integral lumbar support.
- Slotted overflow allows for deep soaking.
- Automatic and manual purge cycles remove residual water from air channels after use.

Material

- Acrylic.

Hydrotherapy

- BubbleMassage™.

Installation

- Requires K-7271 or K-7272 Clearflo slotted overflow bath drain (sold separately).
- Reversible drain.
- Drop-in or undermount.
- Under-mount installation requires kit K-534 (sold separately).
- Requires 240 V hard-wired electrical service.

Required Products/Accessories

K-7271 Brass Slotted Overflow Bath Drain

or

K-7272 PVC Slotted Overflow Bath Drain

Recommended Products/Accessories

1013469 Trim Ring, Interface, Core
K-1491 Bath/Whirlpool Pillow
K-1601 Bath/whirlpool footstop, removable
K-1705 Whirlpool/BubbleMassage™ Remote Control
K-534 Under-Mount Installation Kit
K-9498 3" Keypad Trim
K-24916 Wireless Music Kit
K-1177 Vinyl Tiling-in Bead
K-23726 Drain treatment
K-23732 Tub & shower cleaner



Codes/Standards



ASME A112.19.7/CSA B45.10
CSA B45.5/IAPMO Z124
ASTM E162
UL 1795

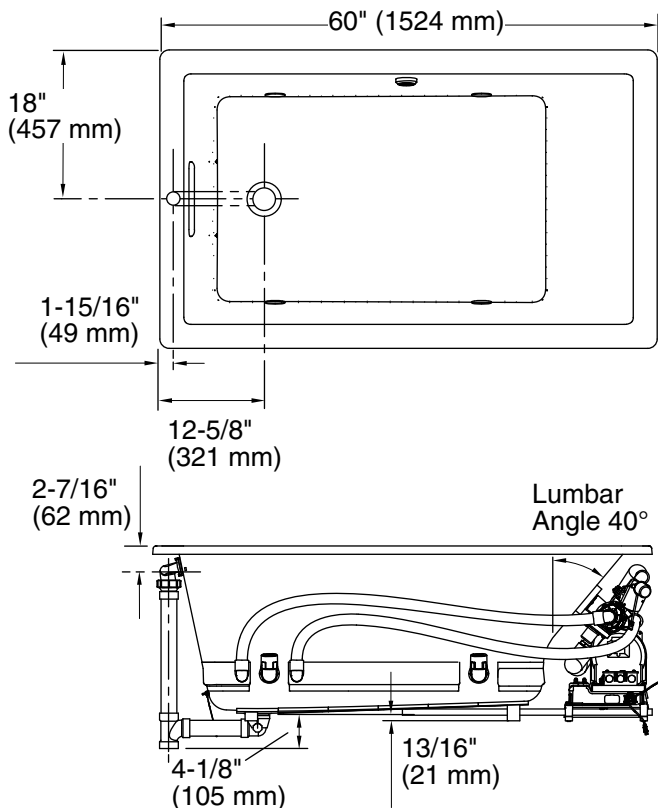
KOHLER® Plastic Baths and Receptors Lifetime Limited Warranty KOHLER® Hydrotherapy Components Five-Year Limited Warranty

See website for detailed warranty information.

Available Colors/Finishes

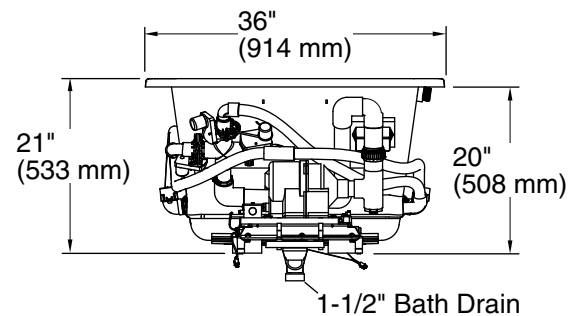
Color tiles intended for reference only.

Color	Code	Description
	G9	Sandbar
	K4	Cashmere



No change in measurement if connected with drain illustrated. (K-7272)

Blower Motor/Control Access
 30" (762 mm) W x
 15" (381 mm) H Min



Required Electrical Service

One dedicated circuit required, protected with Class A Ground-Fault Circuit-Interrupter (GFCI). Outside North America, this device may be known as a Residual Current Device (RCD).

Blower: 240 V, 15 A, 50/60 Hz

Technical Information

All product dimensions are nominal.

Installation: Drop-in, Under-mount

Drain location: End

Basin area, bottom: 39-9/16" x 24-11/16" (1005 mm x 627 mm)

Basin area, top: 53-5/8" x 29-1/2" (1362 mm x 749 mm)

Weight: 100 lbs (45.4 kg)

Minimum floor load: 54 lbs/ft² (263.7 kg/m²)

Water depth: 17-1/8" (435 mm)

Water capacity: 81.1 gal (307 L)

Cutout: Drop-in, 59-1/2" x 35-1/2" (1511 mm x 902 mm)

Electrical component rating: Blower: 240 V, 5 A, 50/60 Hz

Blower speed: Variable

Notes

Measure your actual product for rough-in details.

Install this product according to the installation instructions.

The hot water supply should be 70% of the capacity of the bath or greater. Installations will vary.

If relocating the blower motor, do not relocate or alter the PVC tee or coiled flexible tubing connected to the blower. Follow the blower relocation instructions exactly. Provide access for servicing the blower.