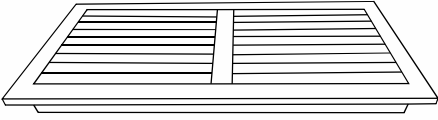

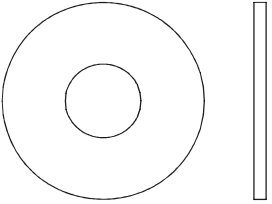
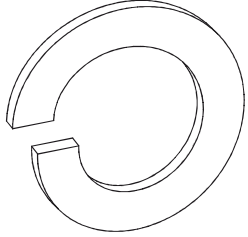
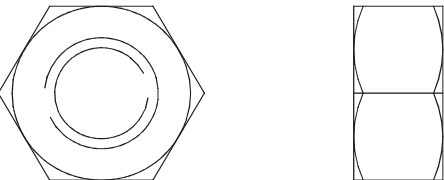
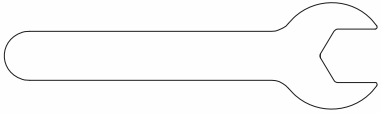


Assembly Instructions

Please read this before you proceed

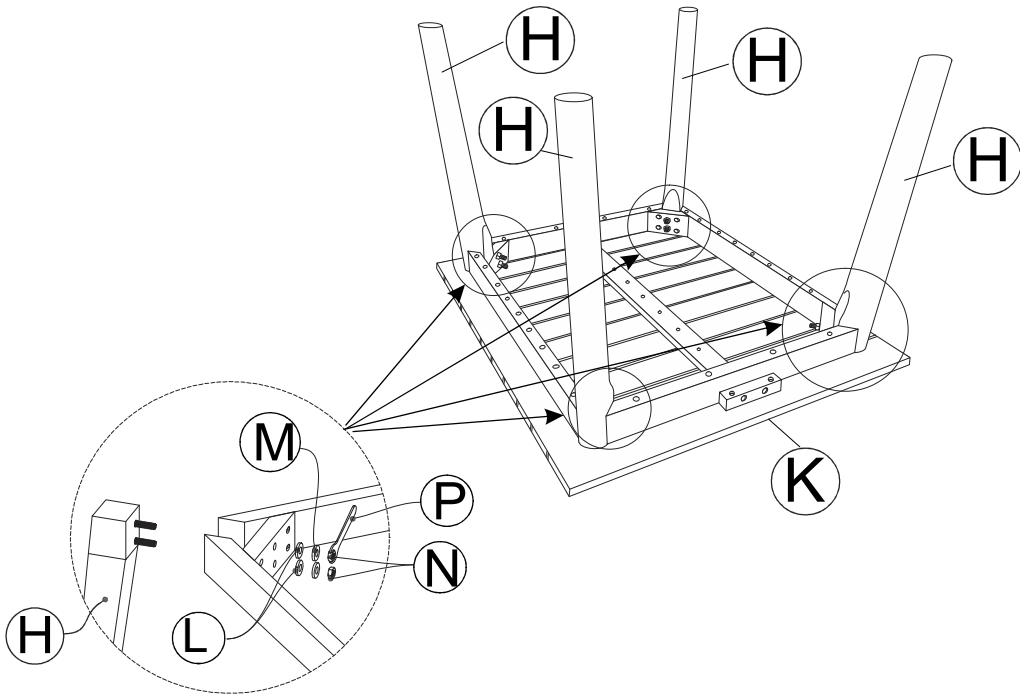
NUMBER	COMPONENT	QUANTITY
K	 Coffee table top	1pc
H	 Table legs	4pcs
L	 M8 shim	8pcs
M	 M8 shim	8pcs
N	 M8 nut	8pcs
P	 M13 Spanner	1pc

Assembly Instructions

Please read this before you proceed

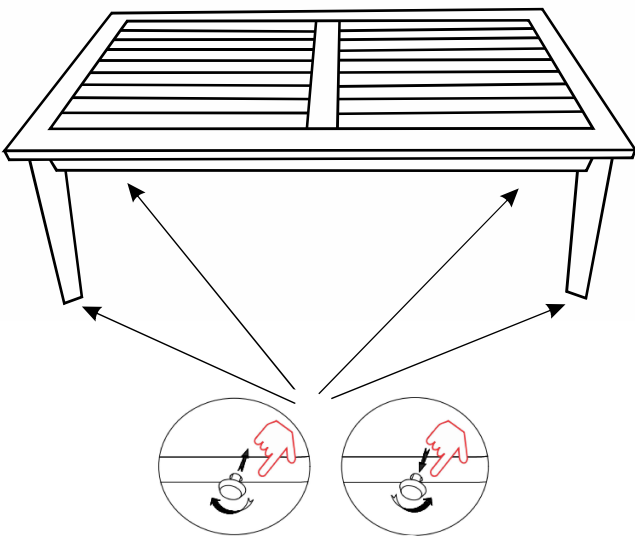
①

K x 1
H x 4
L x 8
M x 8
N x 8
P x 1



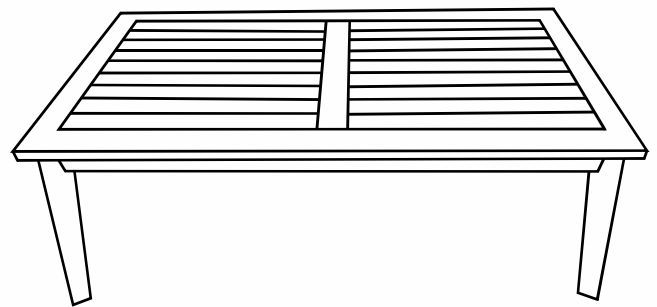
Use the Spanner (P), shim (L), shim (M), nut (N) to connect the part (H), and part (K).
This process requires two operations.
Note: only tighten 80%

②



Adjust this position up or down

③



Finish