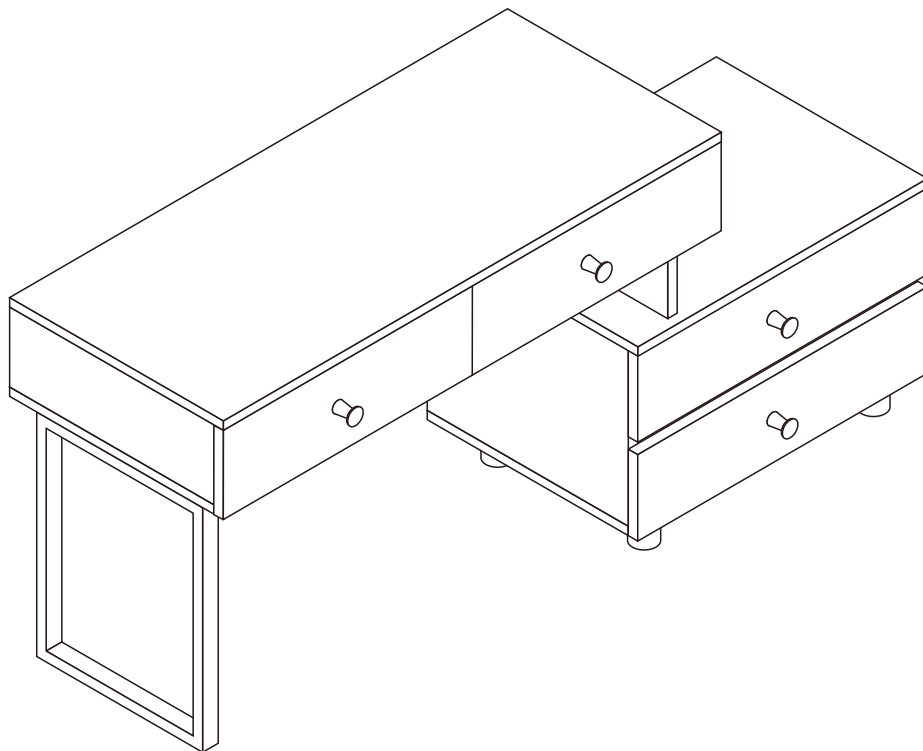


# J-5618-2#

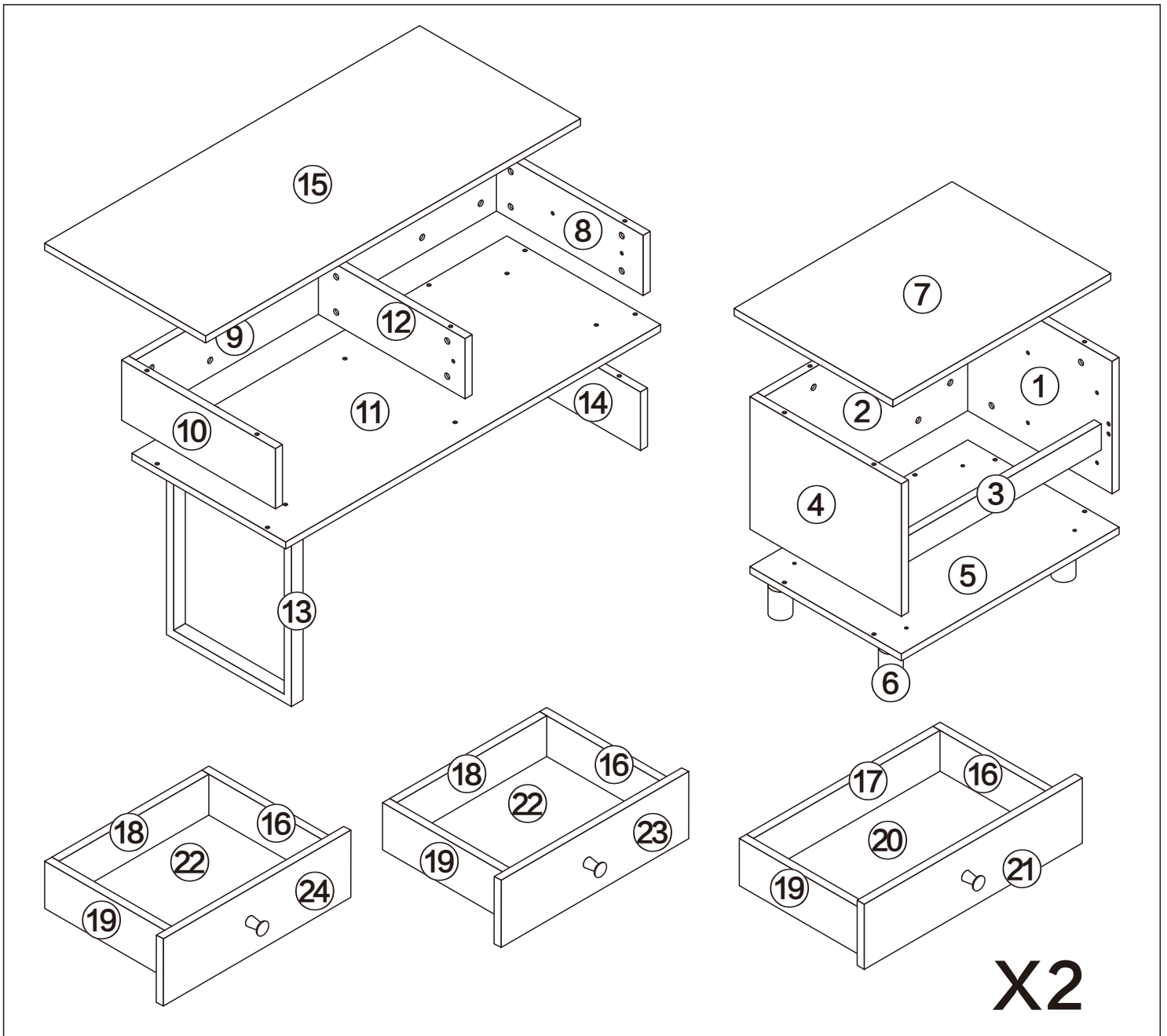
## Dressing table



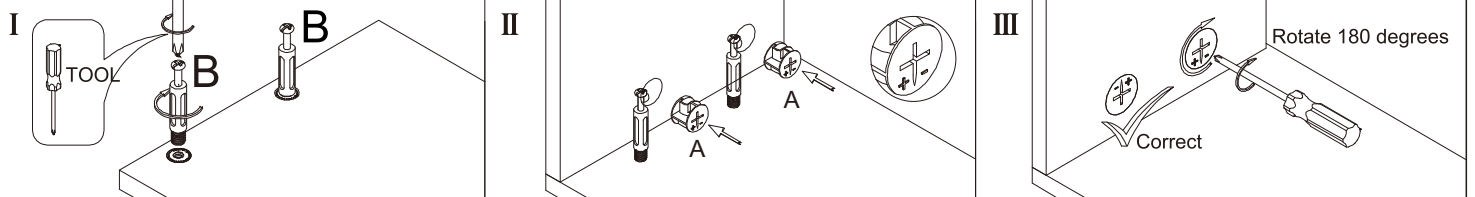
L1200/700\*W500\*H766MM


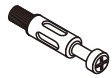












### Installation Instructions

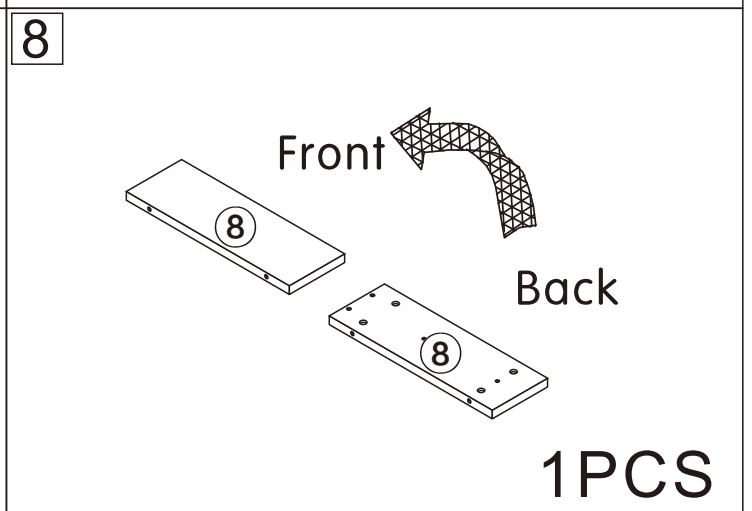
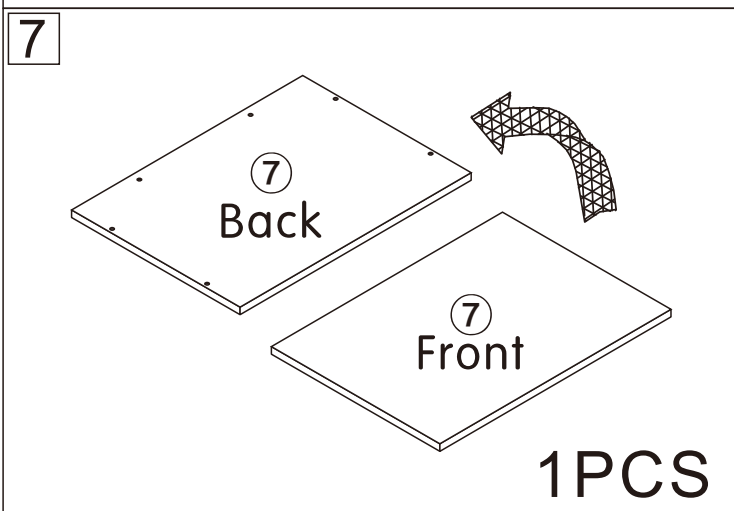
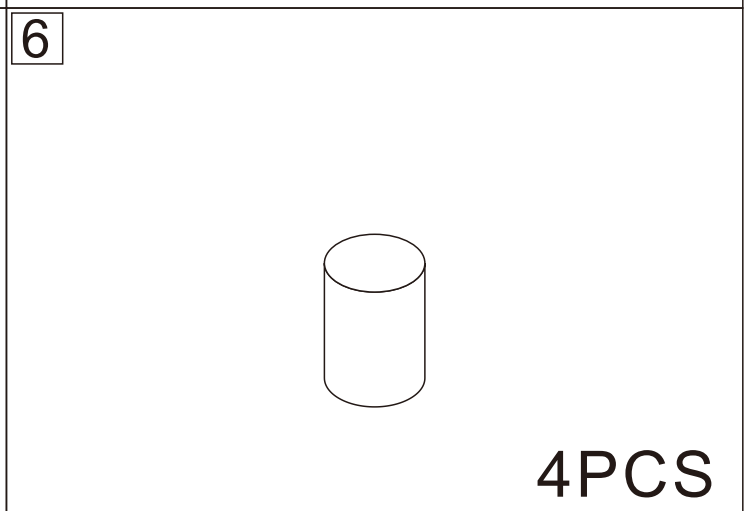
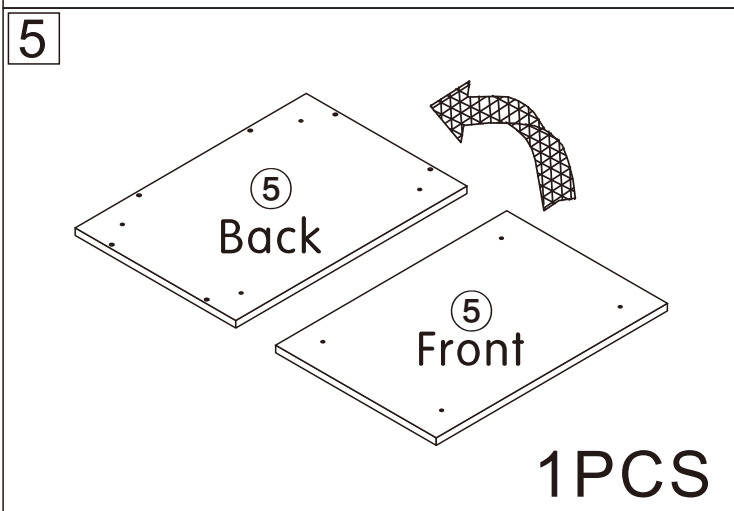
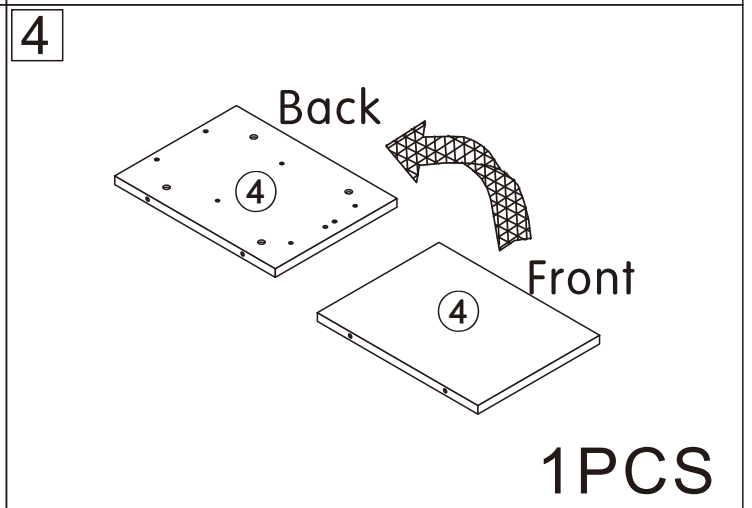
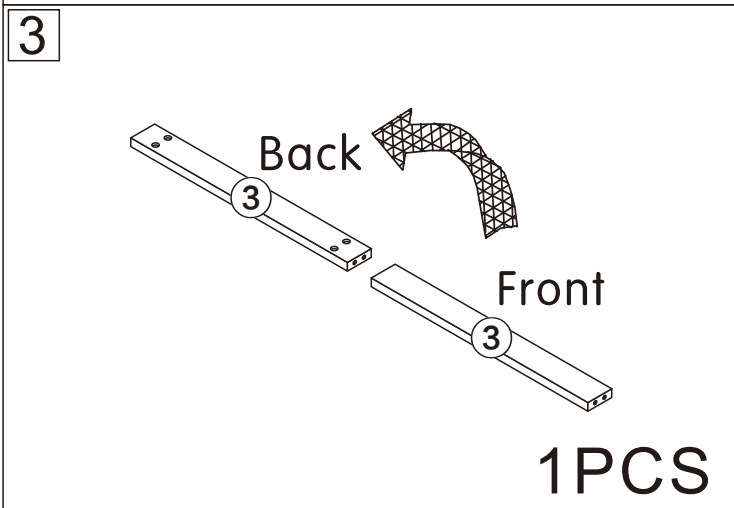
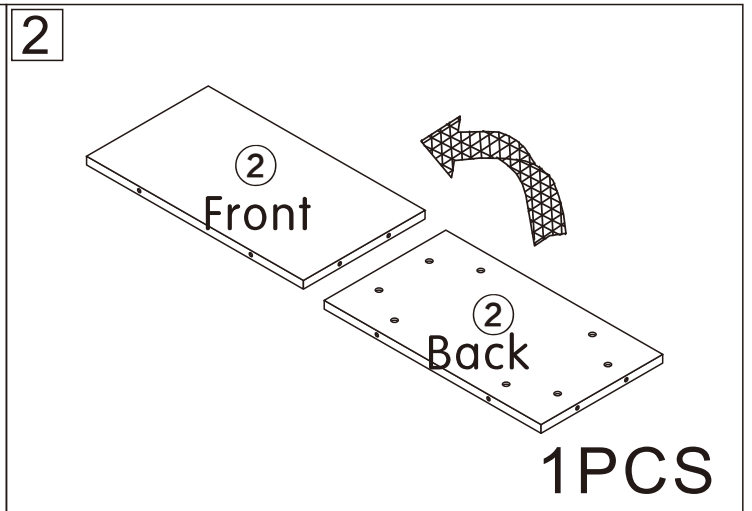
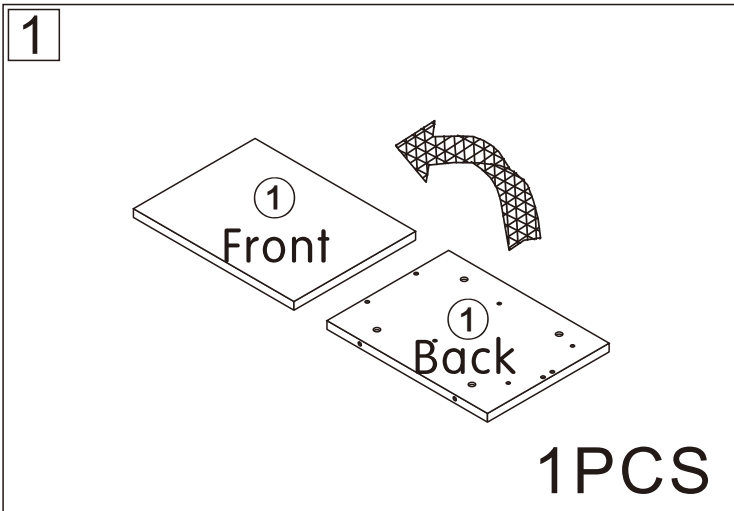
Notes: Don't tighten screws completely at first, just in case parts were assembled wrongly and need disassemble. Tighten screws at last when all parts are put together.

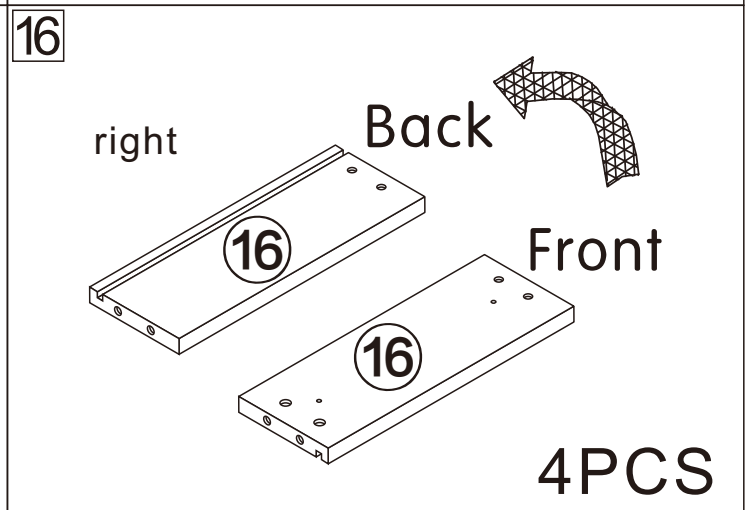
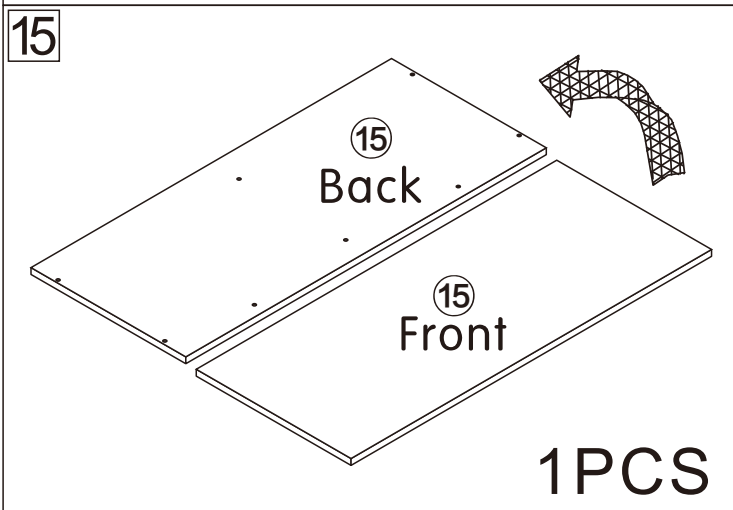
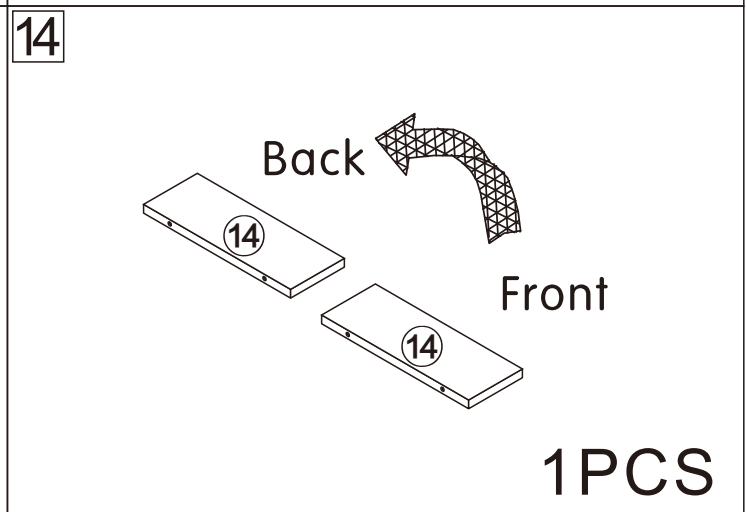
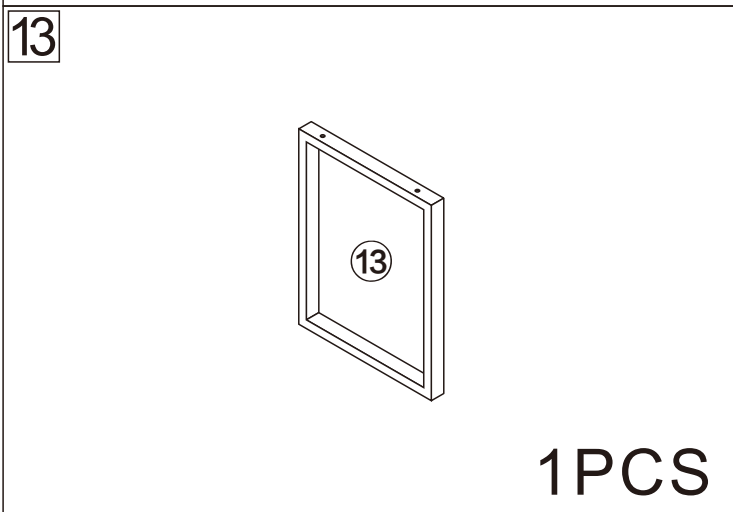
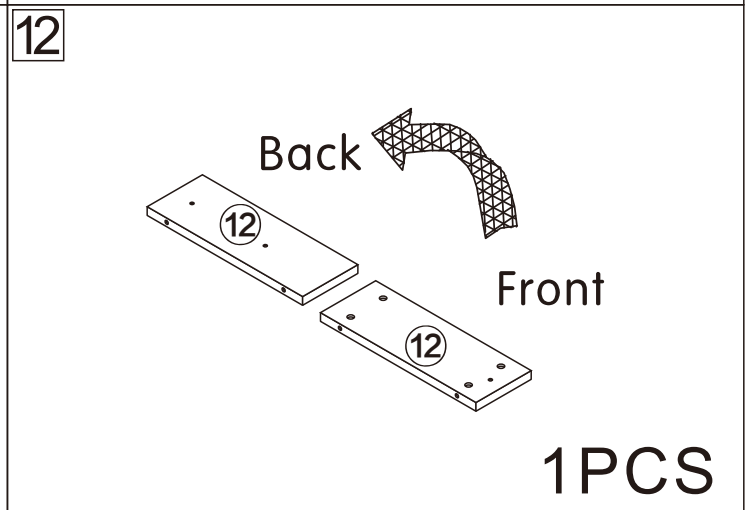
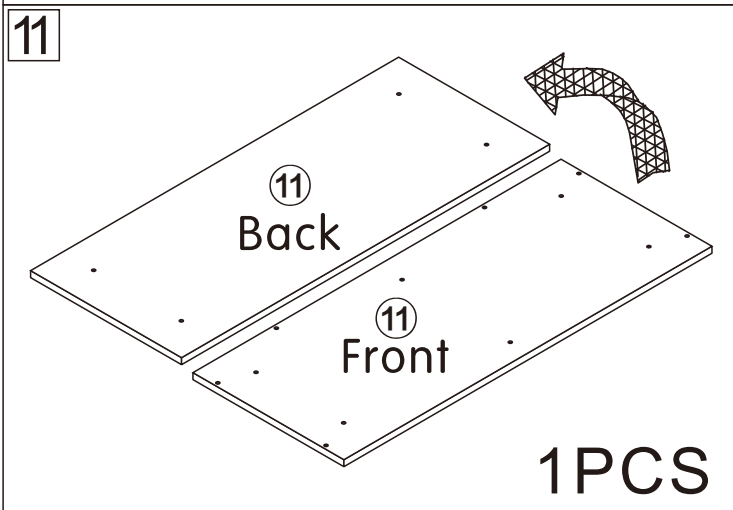
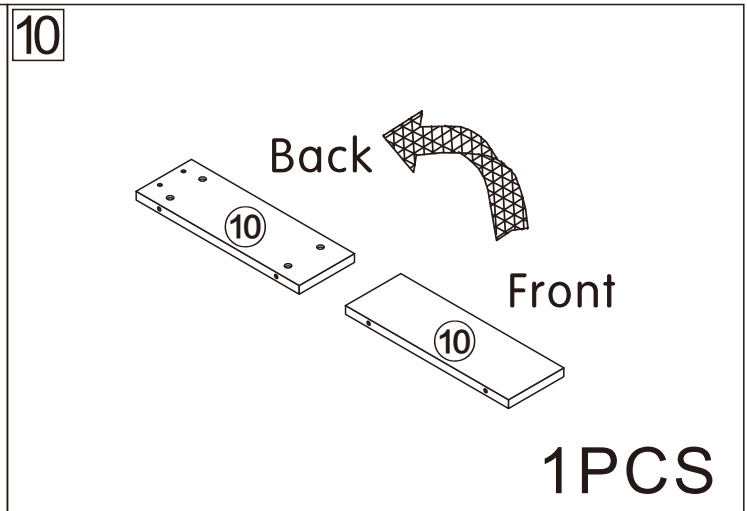
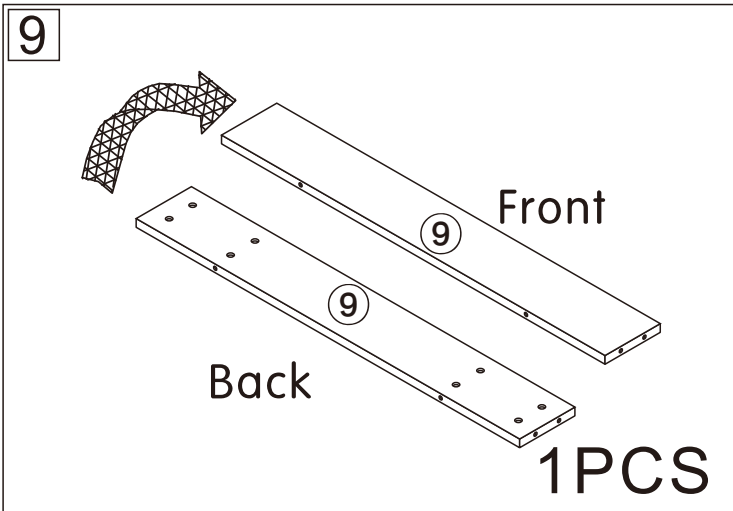


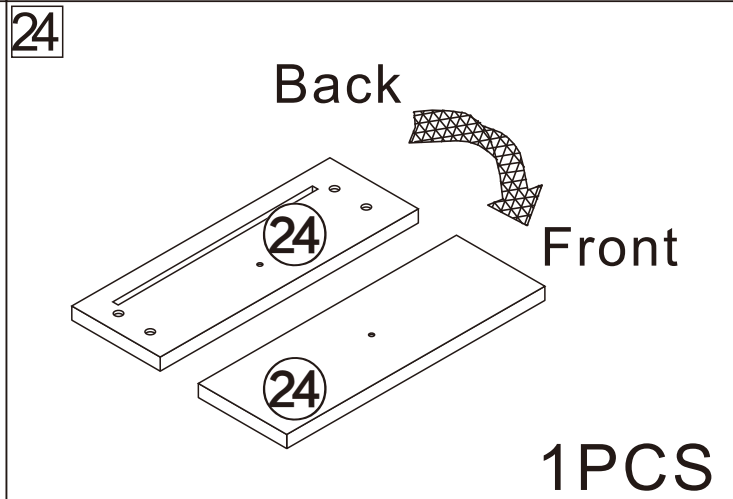
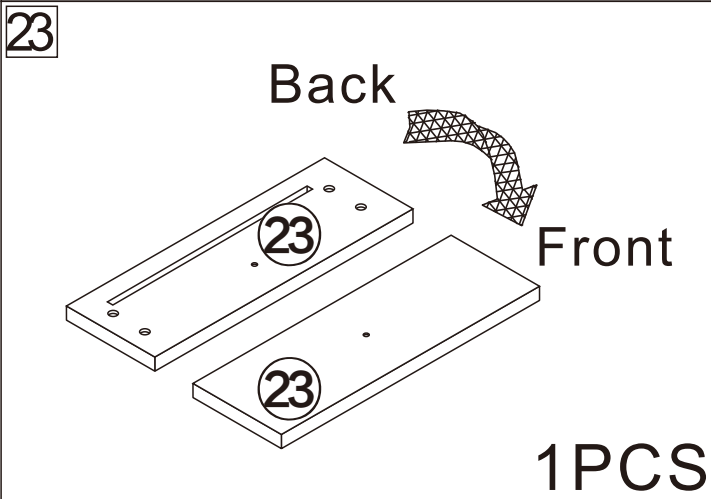
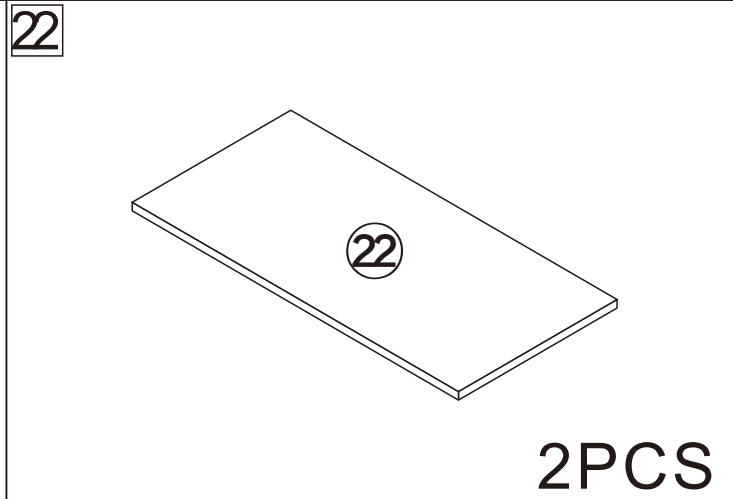
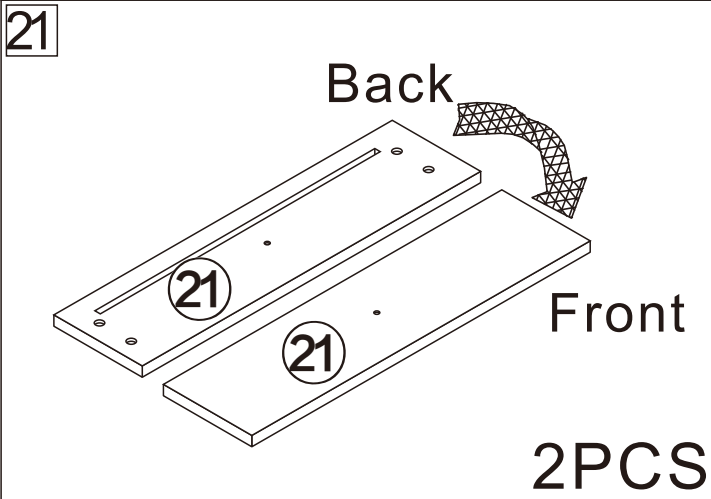
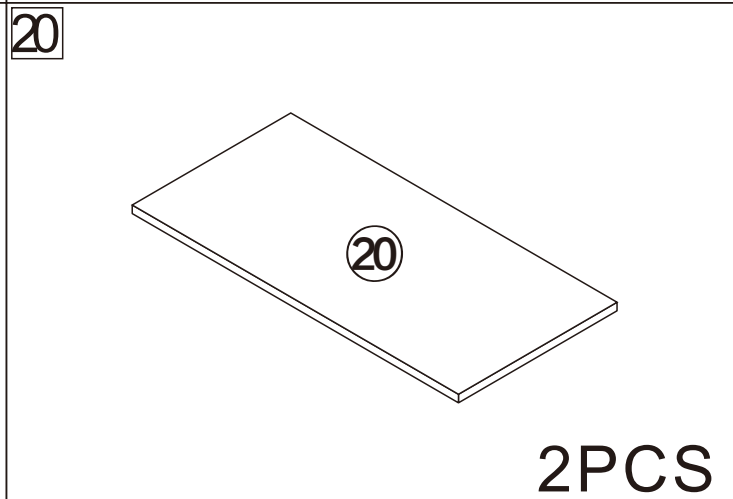
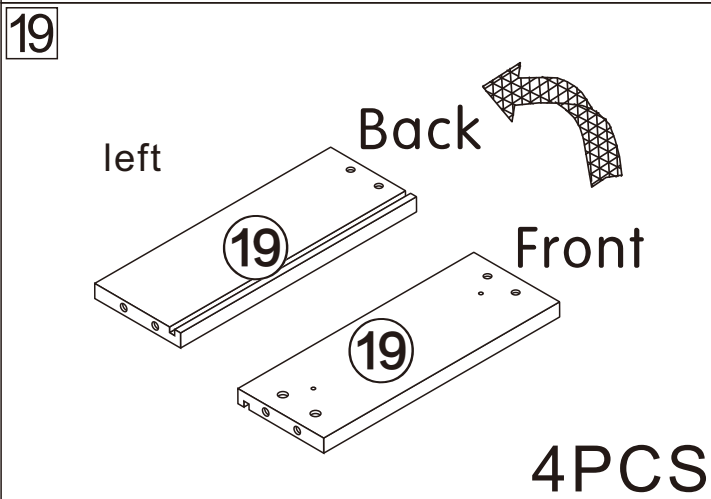
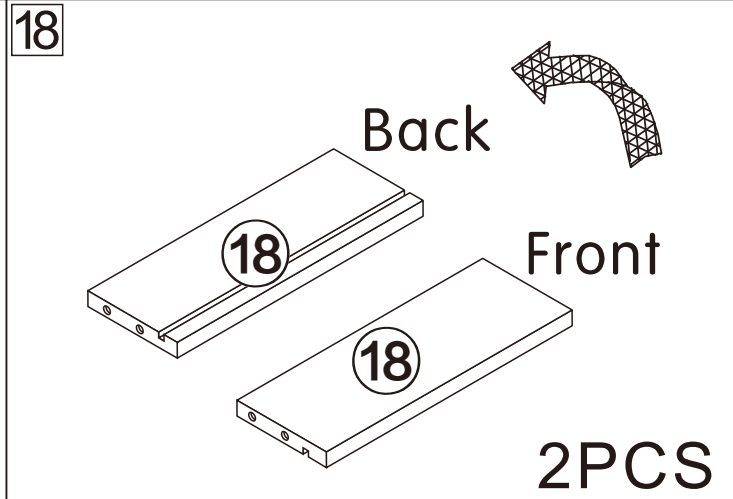
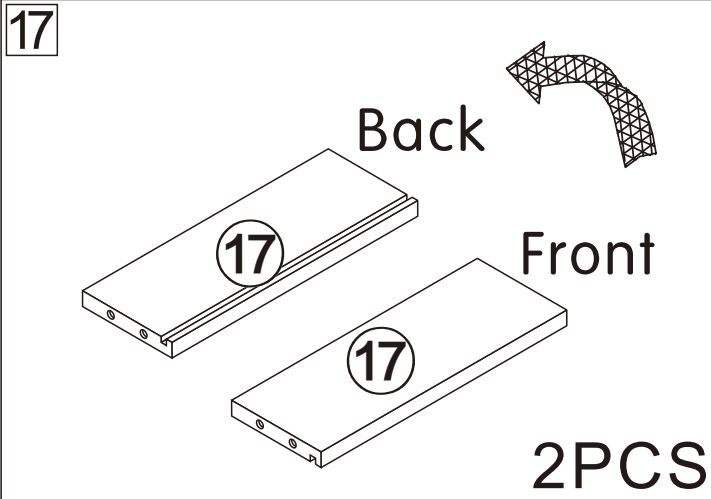
Disassembly and installation of accessories



<b>A</b> 56PCS  15*10mm	<b>B</b> 56PCS  6*28mm	<b>C</b> 32PCS  3.5*14mm	<b>D</b> 8PCS  Three-section Rail	<b>E</b> 16PCS  3.5*40mm	<b>F</b> 4PCS  4*18mm	<b>G</b> 4PCS  6*25mm	 Tools Recommended
<b>H</b> 4PCS 	<b>I</b> 2PCS 	<b>J</b> 4PCS  8*40mm	<b>K</b> 2PCS  8mm	<b>L</b> 2PCS  8mm	<b>M</b> 1PCS 		

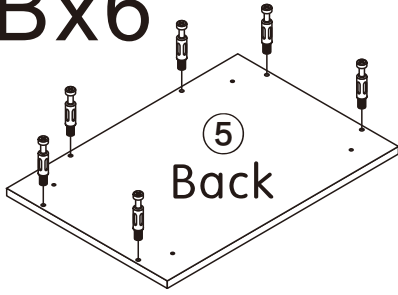




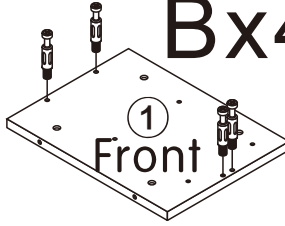


1

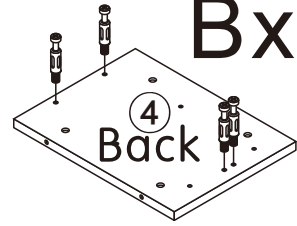
Bx6



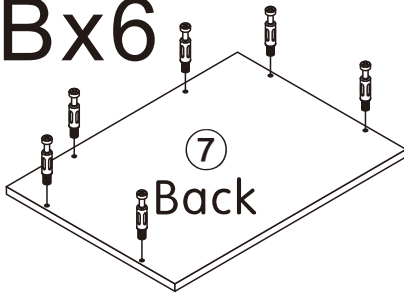
Bx4



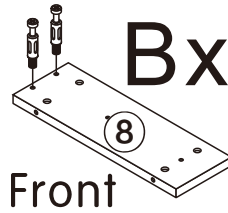
Bx4



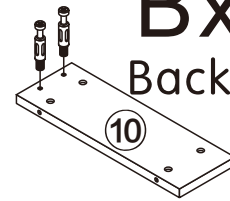
Bx6



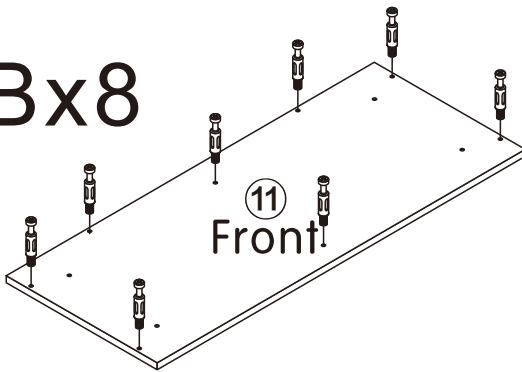
Bx2



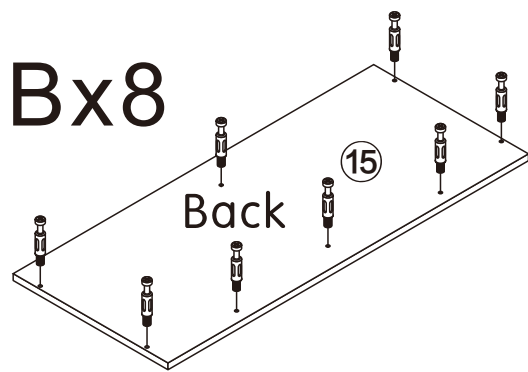
Bx2



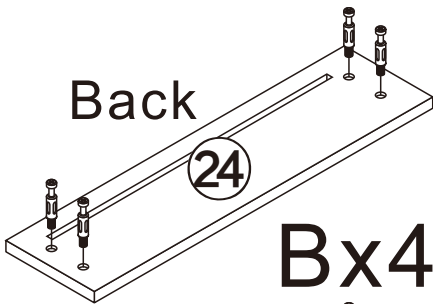
Bx8



Bx8

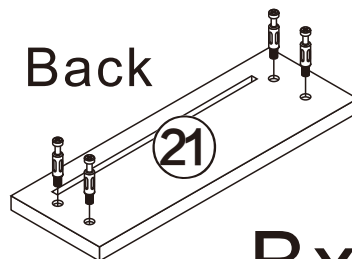


Back

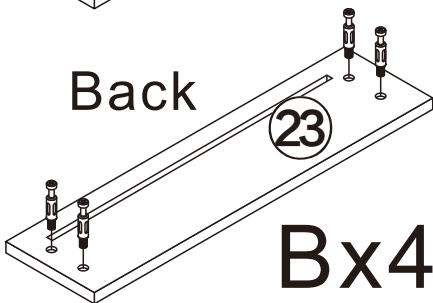


Bx4

Back



Back



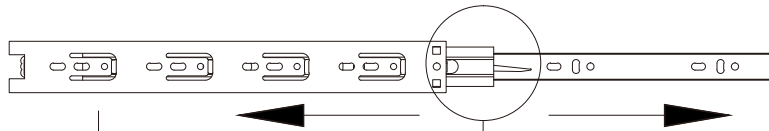
Bx4

Bx4x2

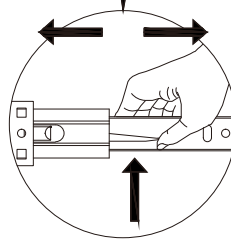
B	56PCS
6*28mm	

2

Dx8



D<sub>1</sub>



D<sub>2</sub>



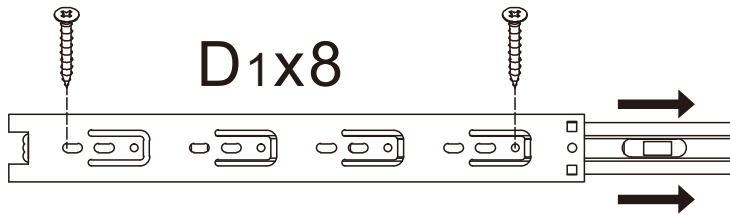
D<sub>1</sub> 8PCS



Three-section Rail

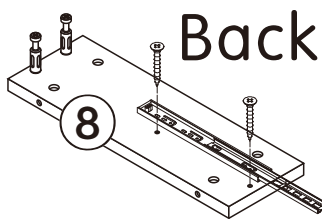
3

D<sub>1</sub>x8

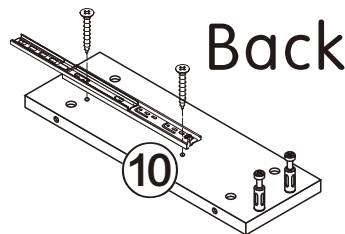


D<sub>1</sub>x8  
CX2x8

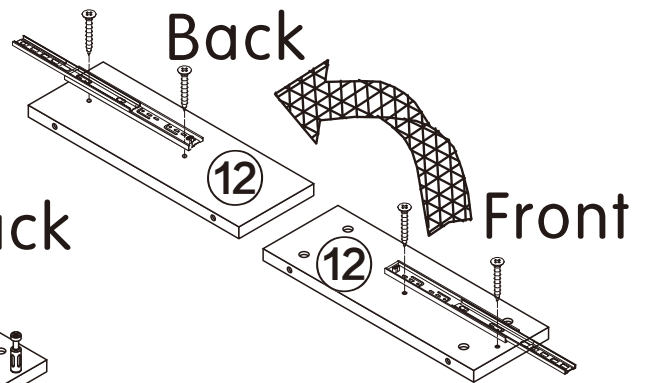
Back



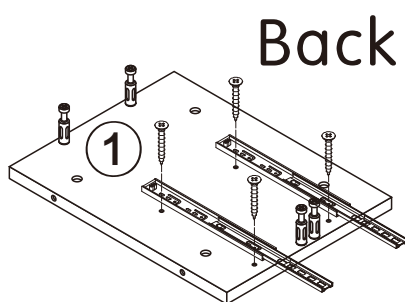
Back



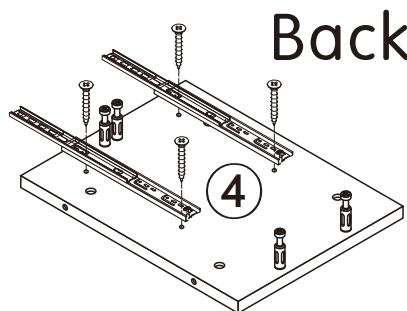
Back



Front



Back



Back

C 16PCS



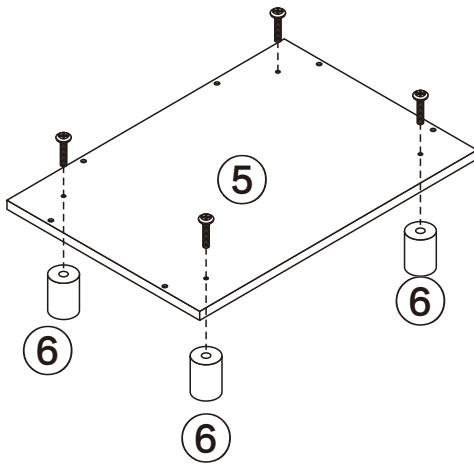
3.5\*14mm


D<sub>1</sub> 8PCS



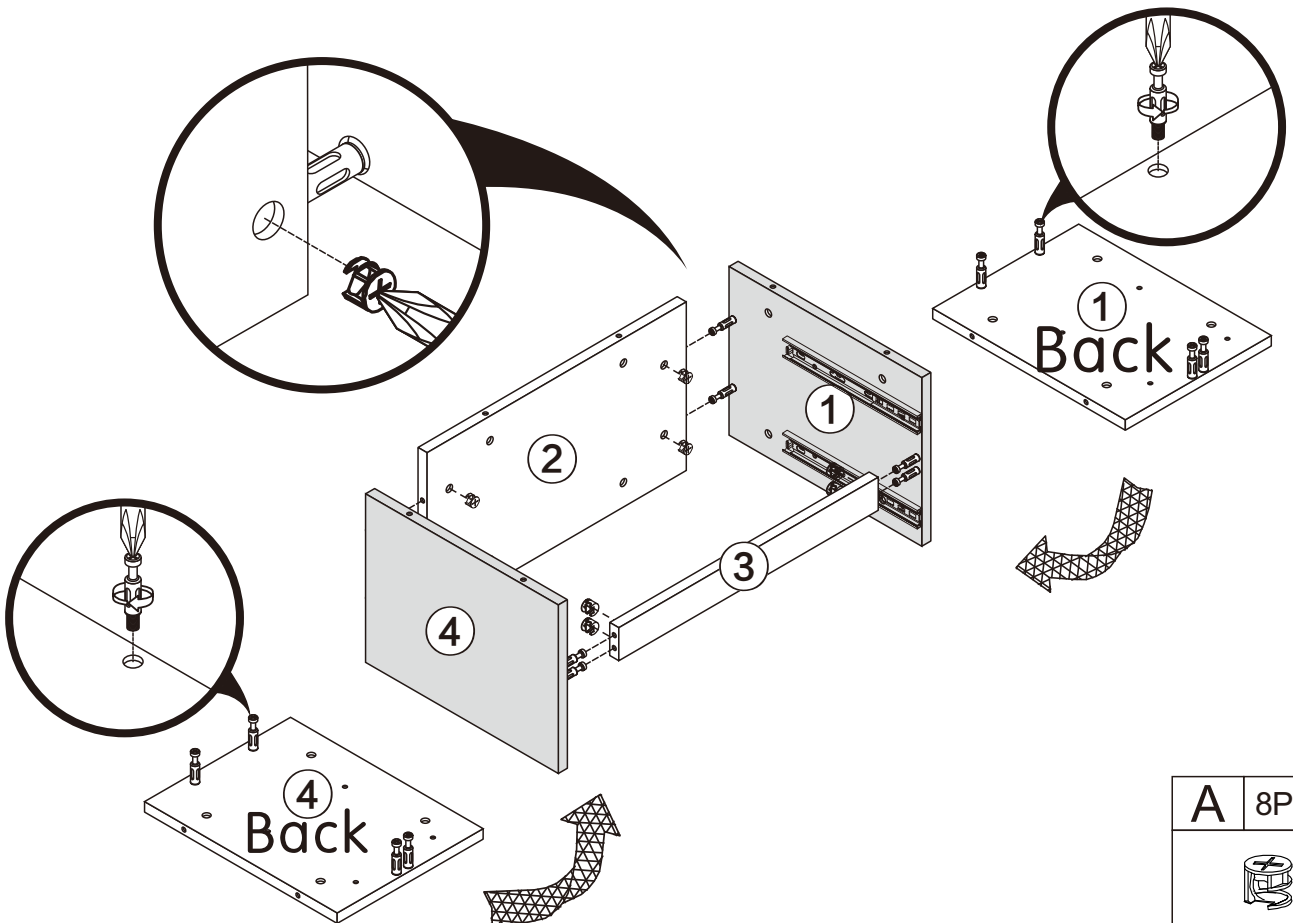
Three-section Rail


4



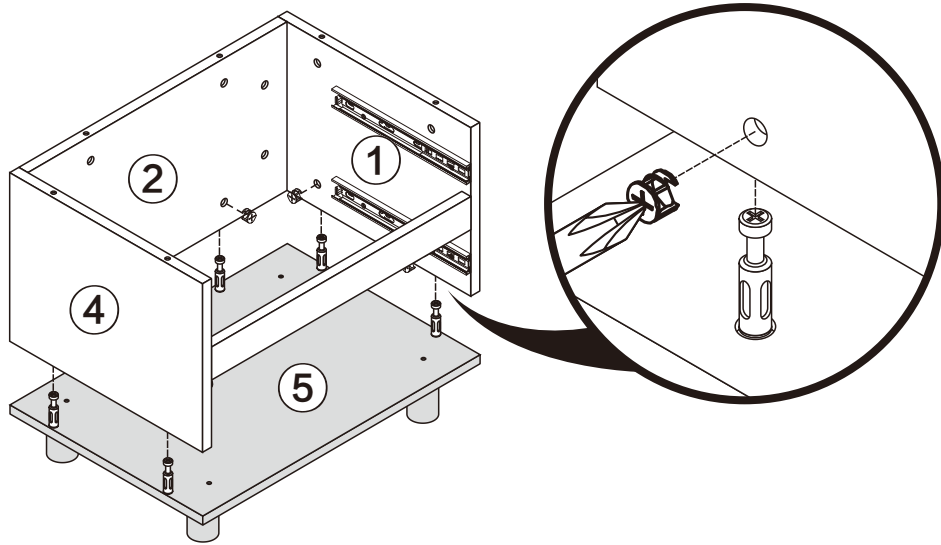
G	4PCS
	
6*25mm	


5



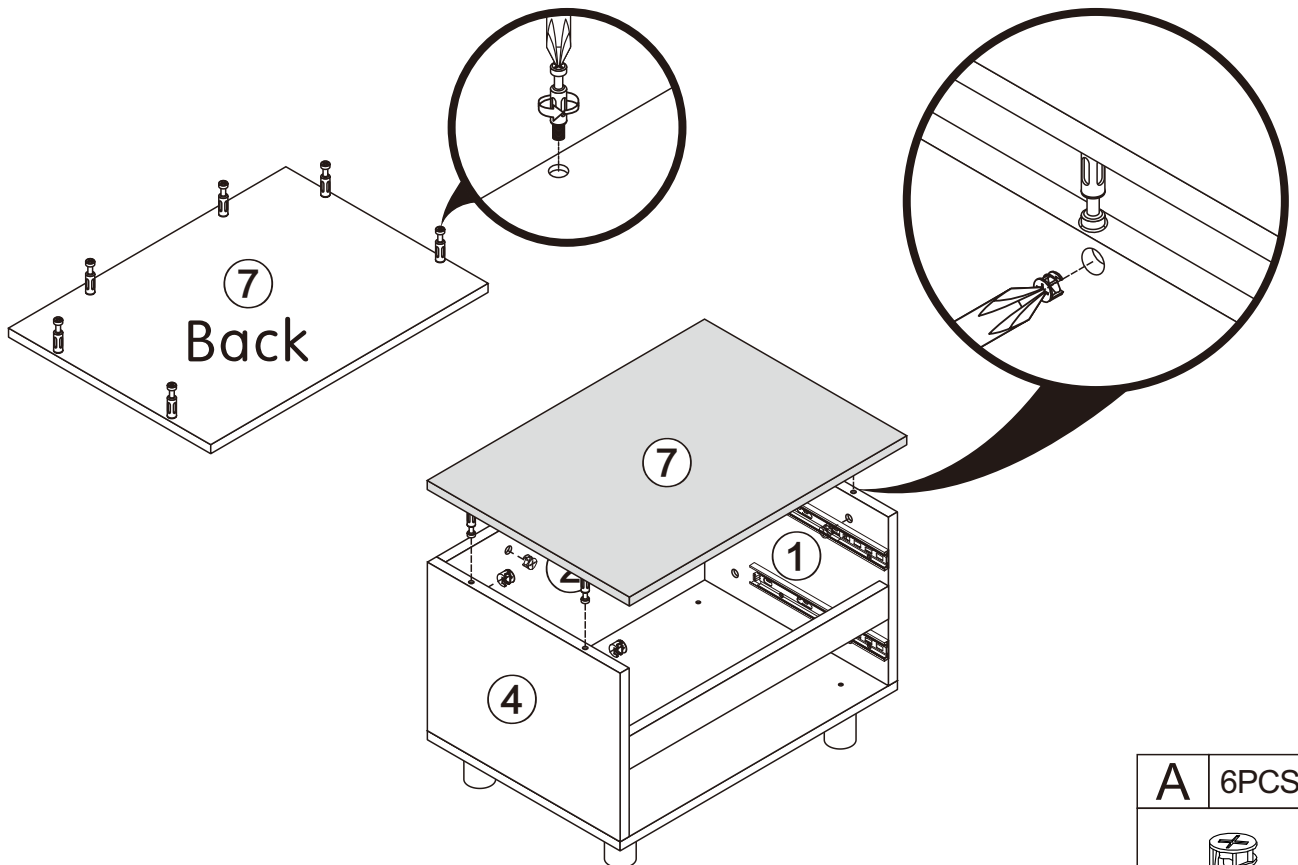
A	8PCS
	
15*10mm	


6



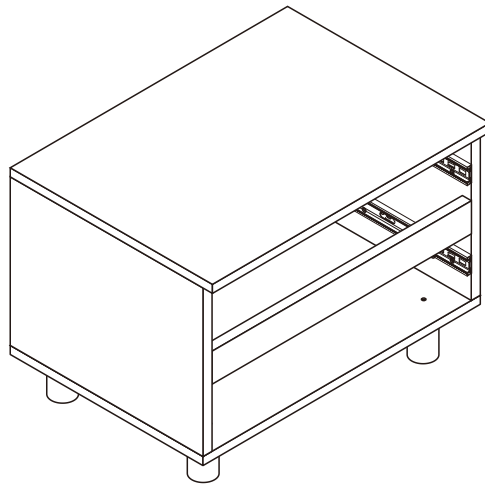
A	6PCS
	
15*10mm	

7

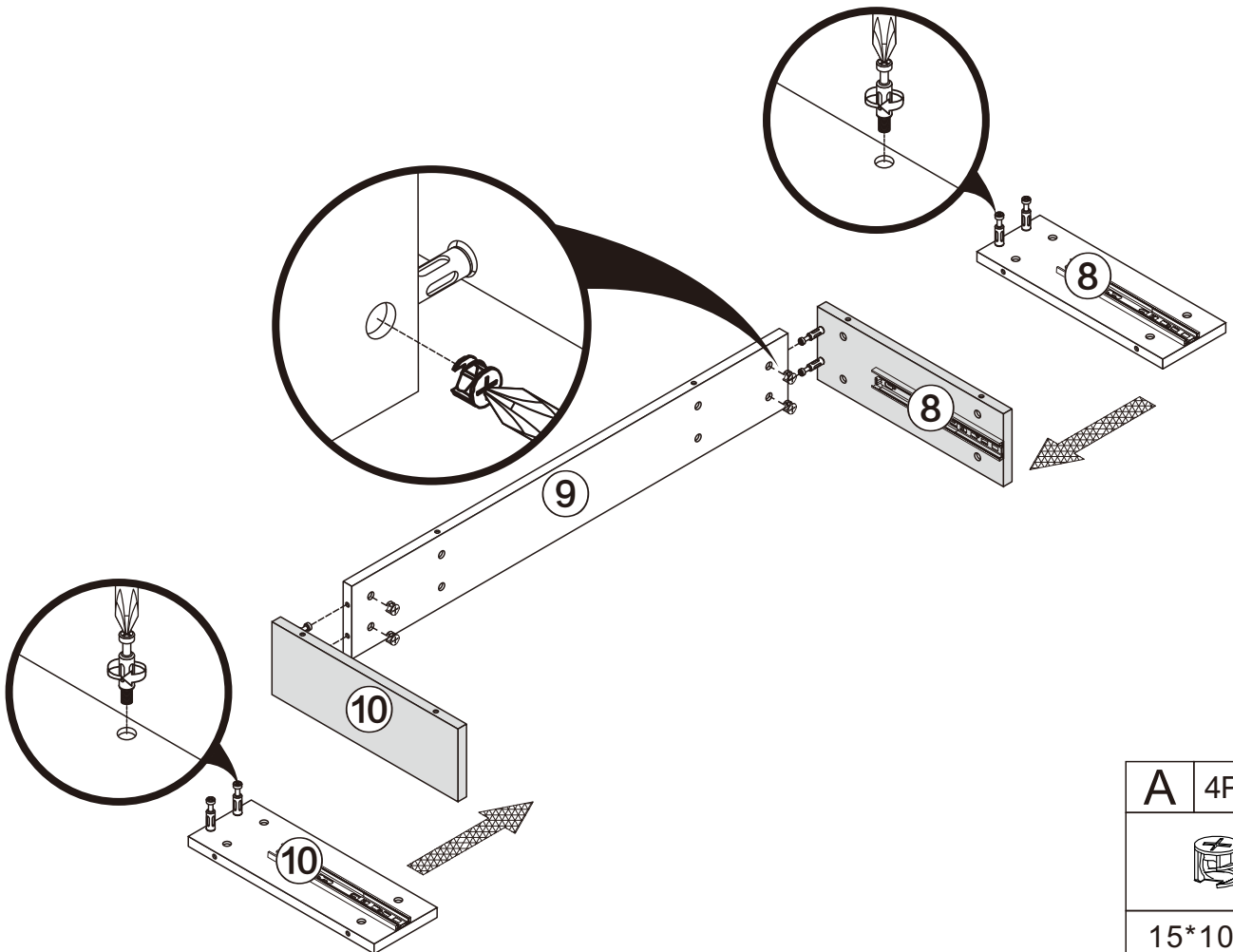



A	6PCS
	
15*10mm	

8

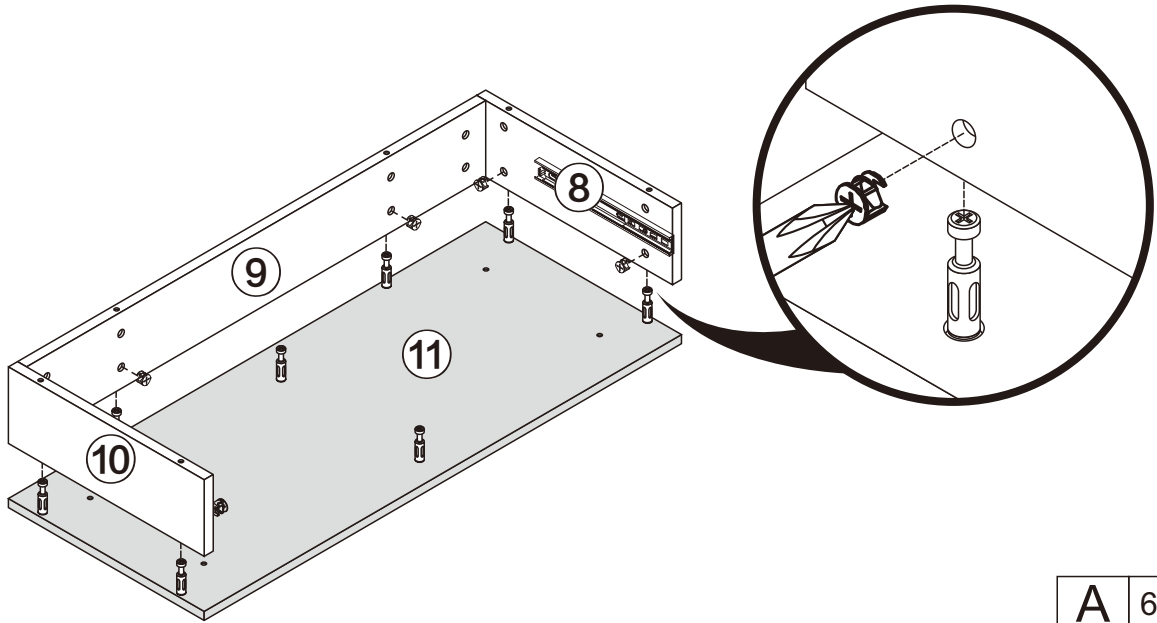



9



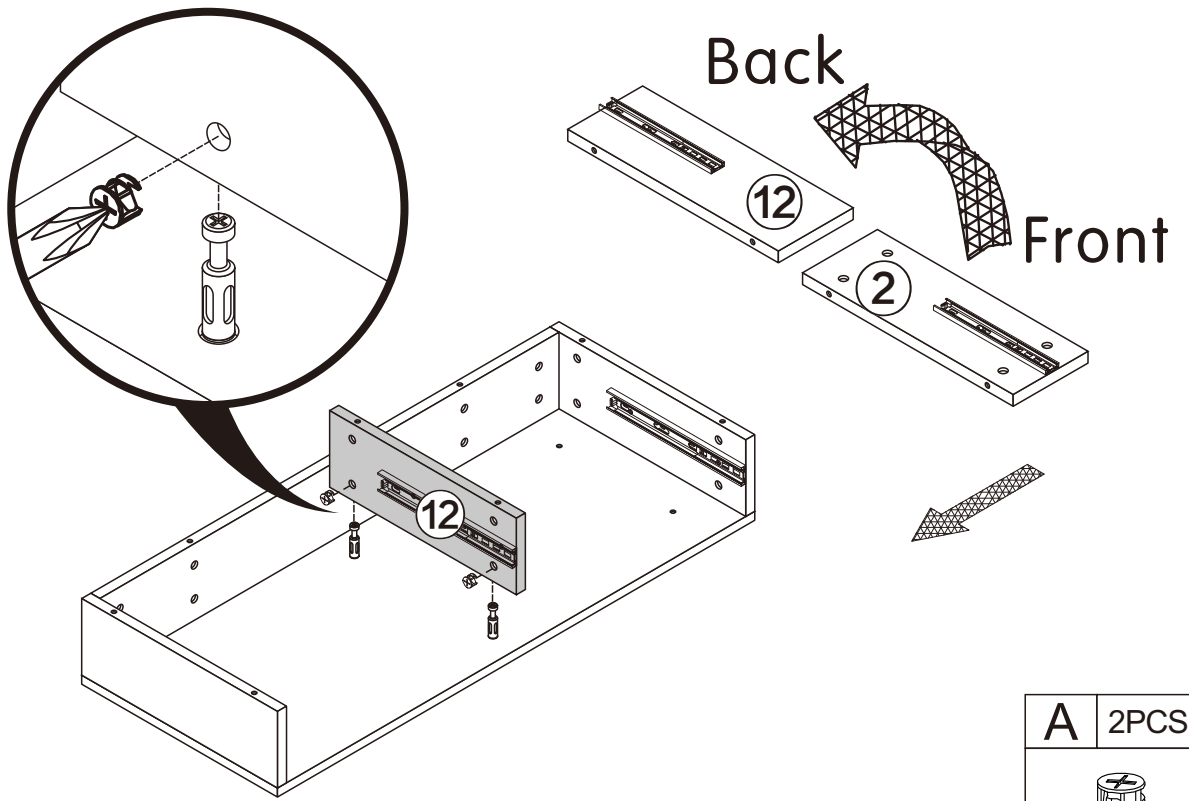
A	4PCS
	
15*10mm	


10



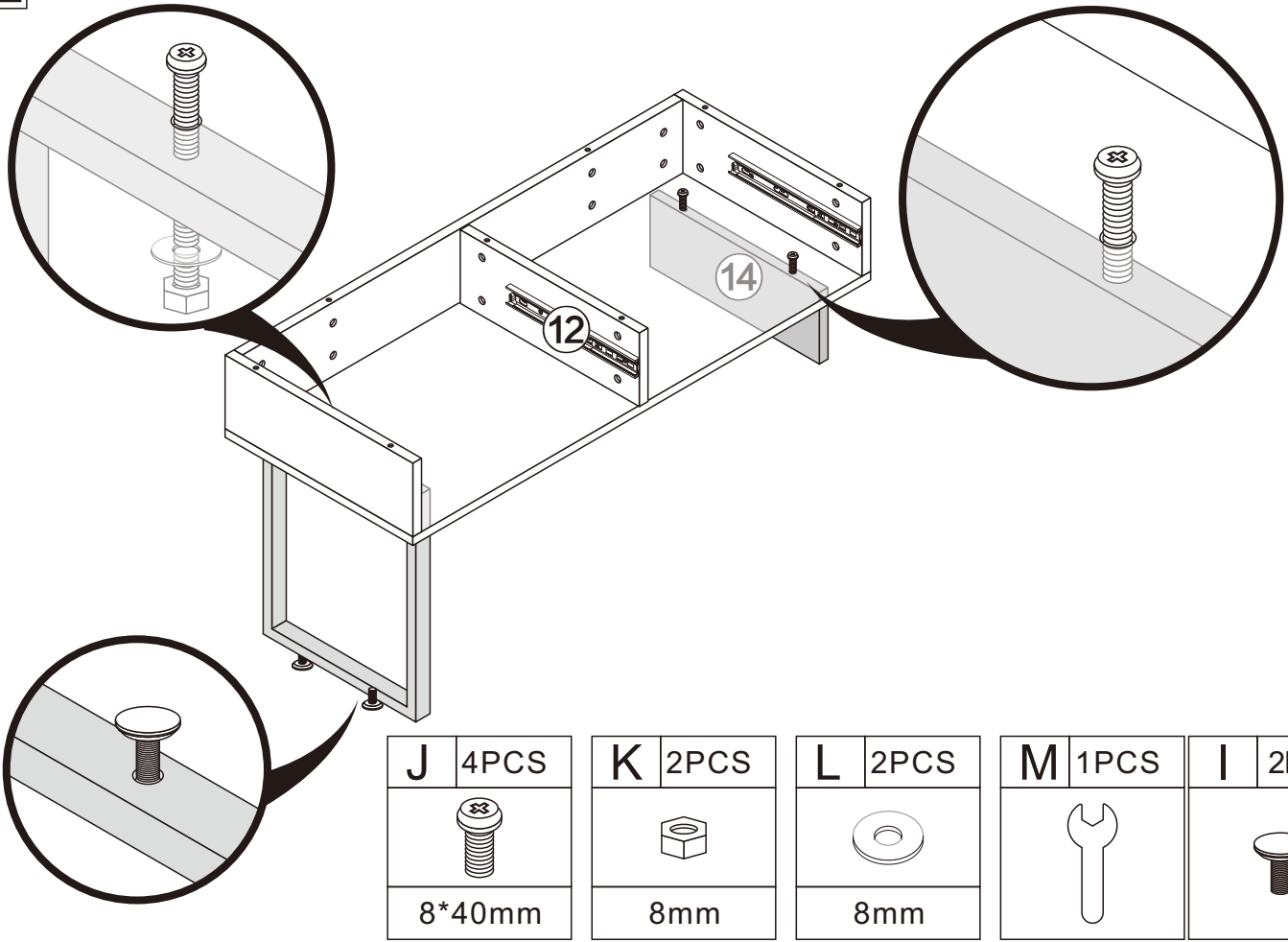
A	6PCS
	
15*10mm	






11



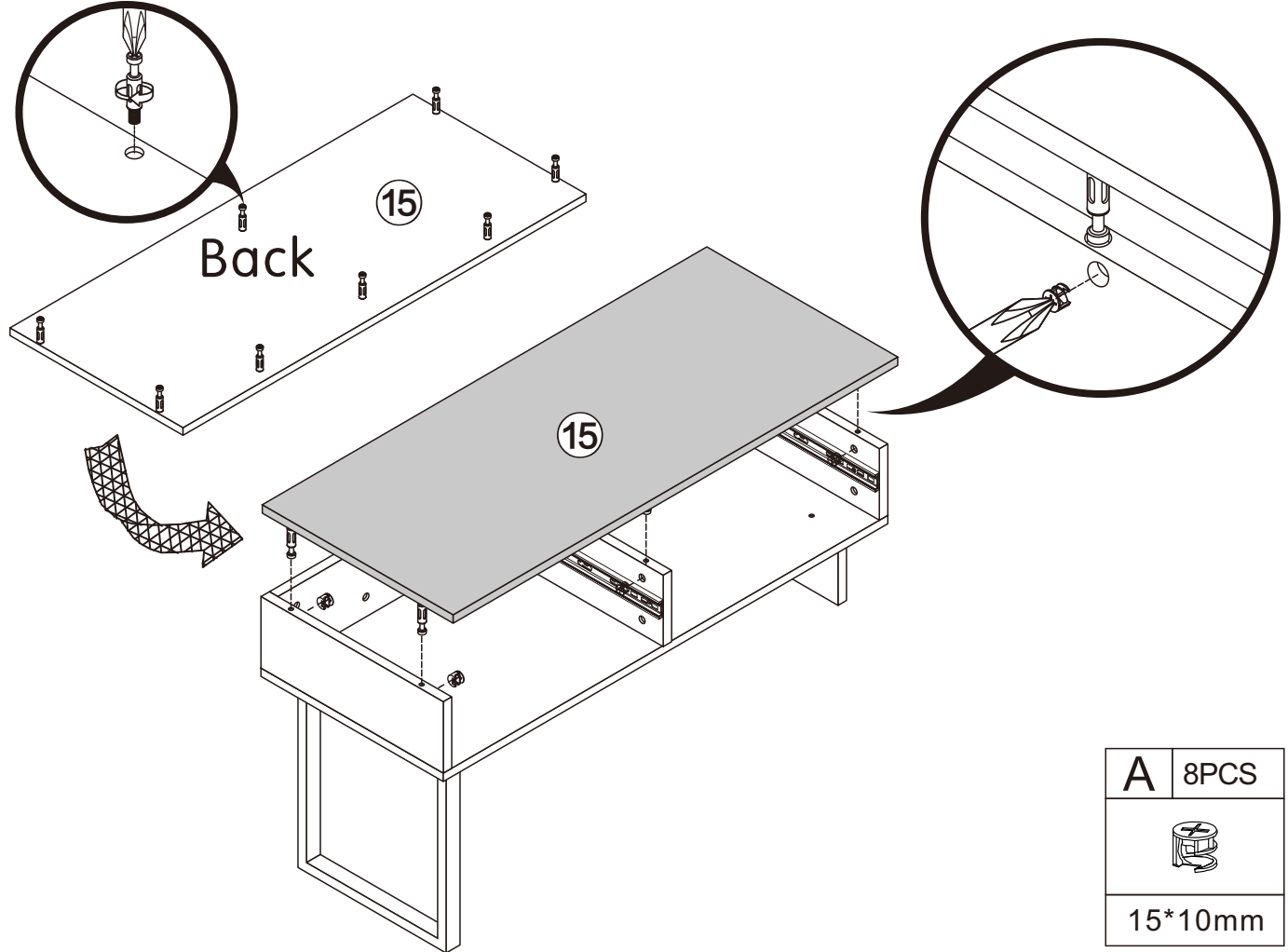
A	2PCS
	
15*10mm	


12



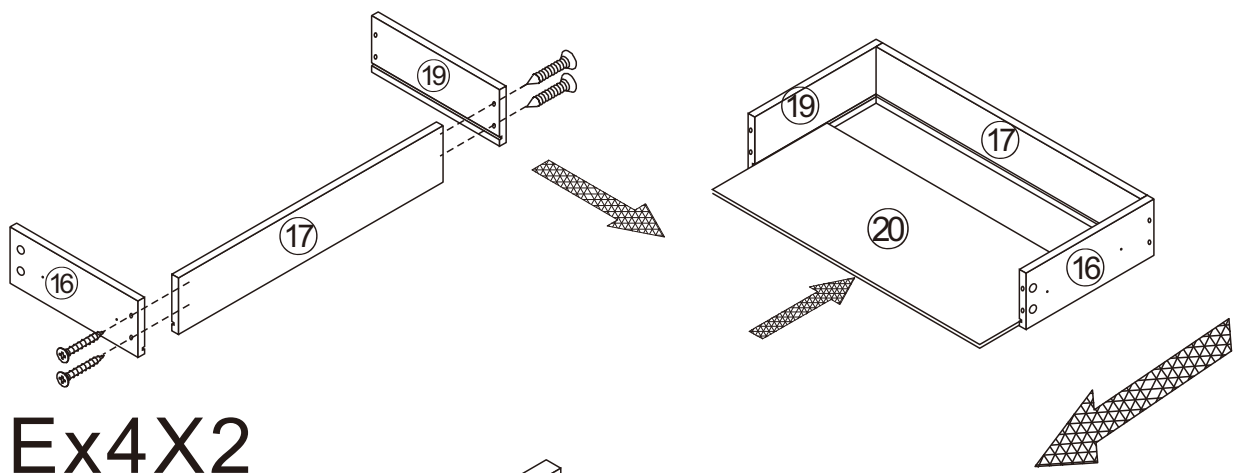
<b>J</b>	4PCS	<b>K</b>	2PCS	<b>L</b>	2PCS	<b>M</b>	1PCS	<b>I</b>	2PCS
									
8*40mm		8mm		8mm					

13

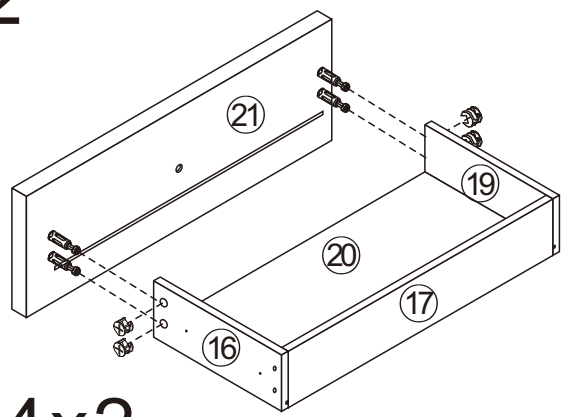


<b>A</b>	8PCS
	
15*10mm	



14



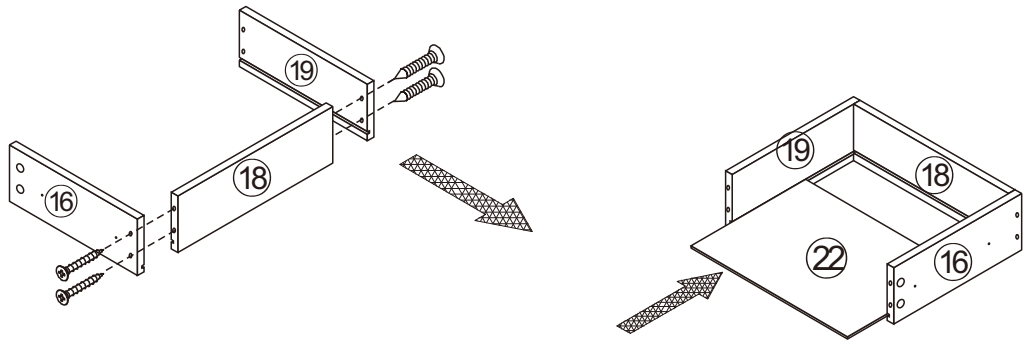
Ex4X2



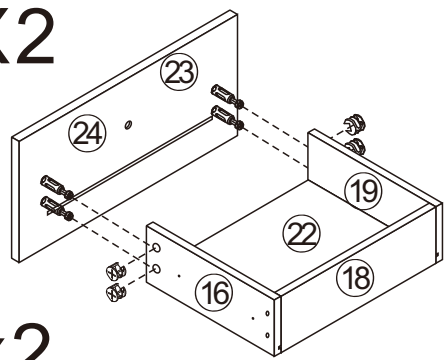
Ax4x2

A	8PCS	E	8PCS
			
15*10mm		3.5*40mm	

15





Ex4X2

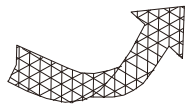
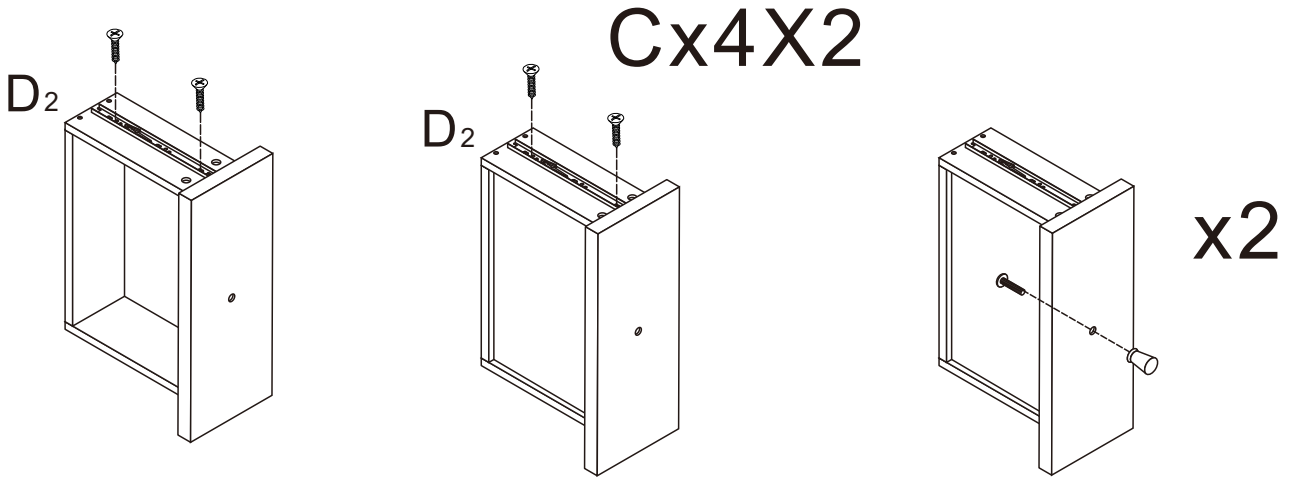
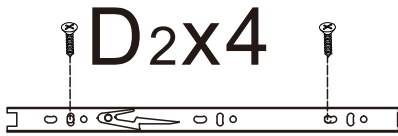






Ax4x2

X2

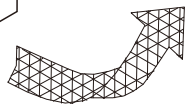
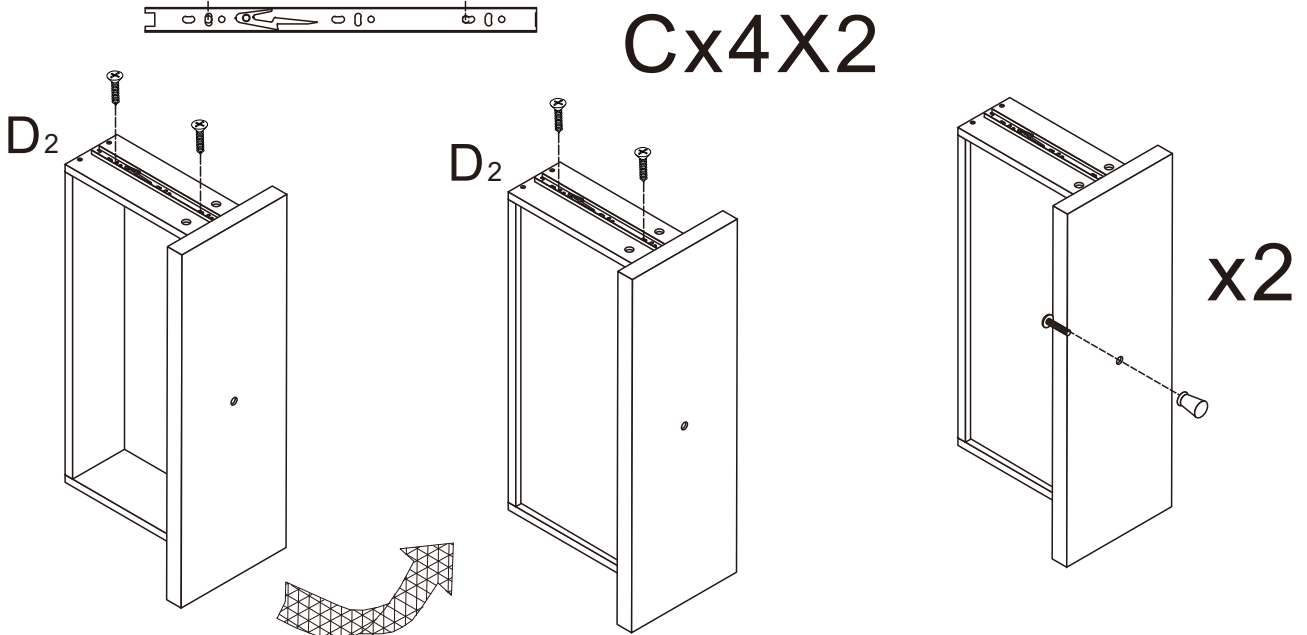
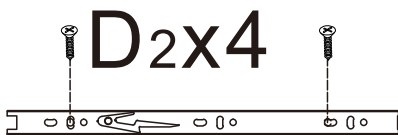
A	8PCS	E	8PCS
			
15*10mm		3.5*40mm	





16

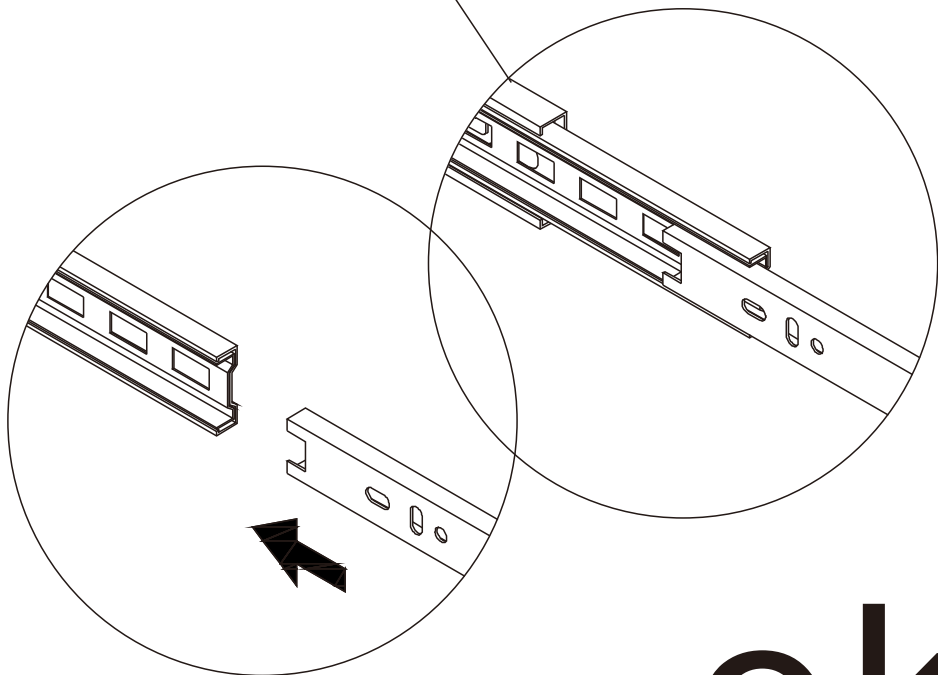
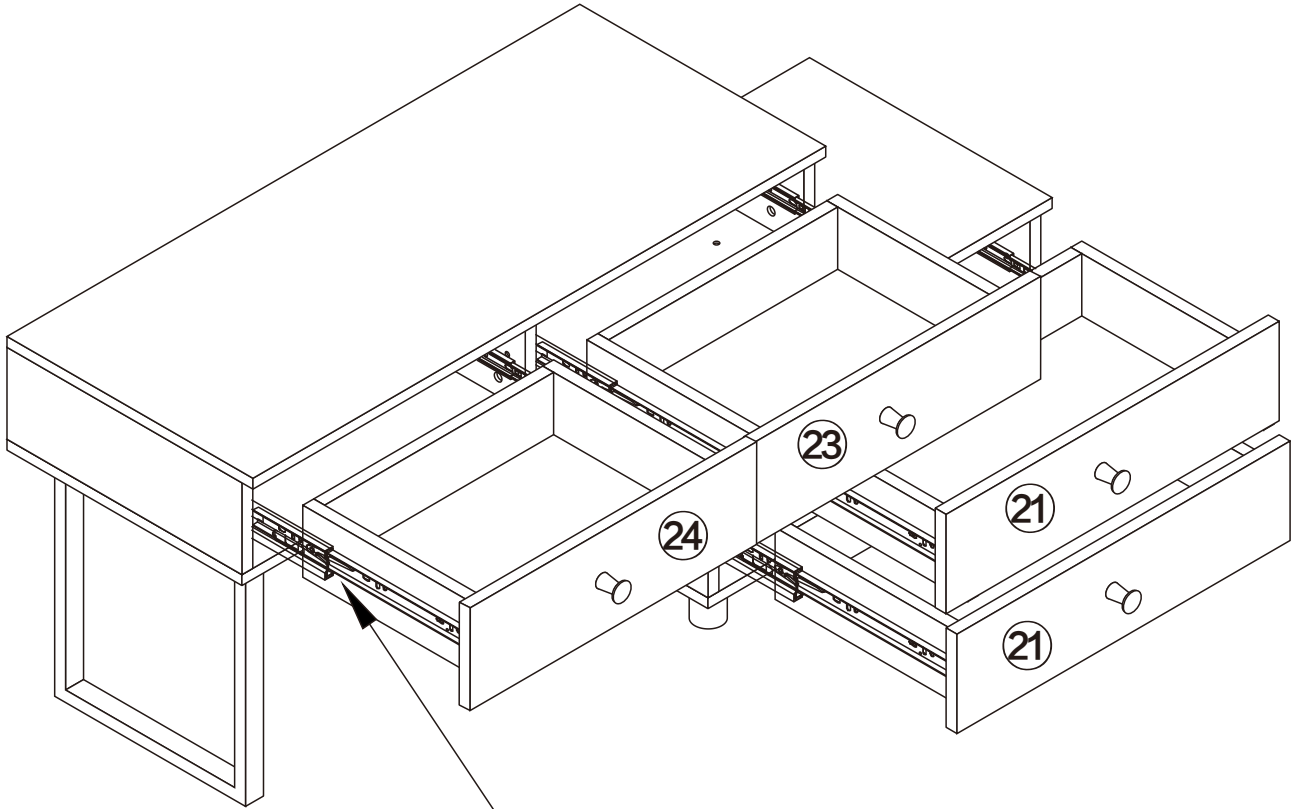


<b>C</b>	8PCS	<b>D<sub>2</sub></b>	4PCS	<b>F</b>	2PCS	<b>H</b>	2PCS
							
3.5*14mm		Three-section Rail		4*18mm			

17



<b>C</b>	8PCS	<b>D<sub>2</sub></b>	4PCS	<b>F</b>	2PCS	<b>H</b>	2PCS
							
3.5*14mm		Three-section Rail		4*18mm			



**OK!**