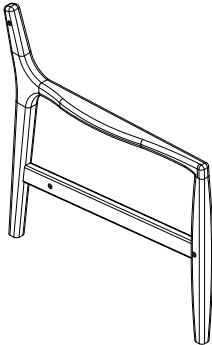
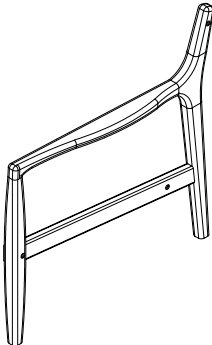


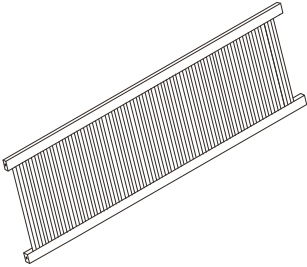
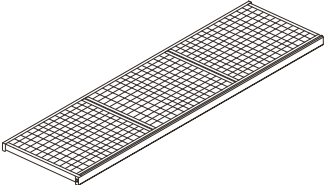

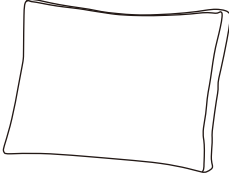


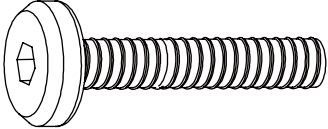
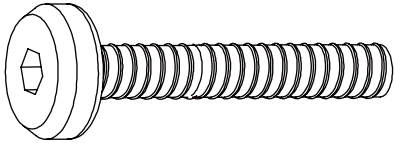
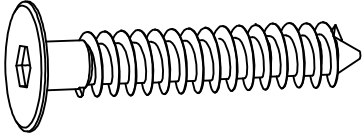

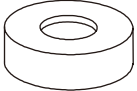
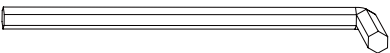
# Assembly Instructions

| NUMBER | COMPONENT  | QUANTITY |
|--------|--|----------|
| A      |  <p>Right arm</p>   | 1PC      |
| B      |  <p>Left arm</p>   | 1PC      |
| C      |  <p>Right leg</p> | 1PC      |
| D      |  <p>Left leg</p>  | 1PC      |

# Assembly Instructions

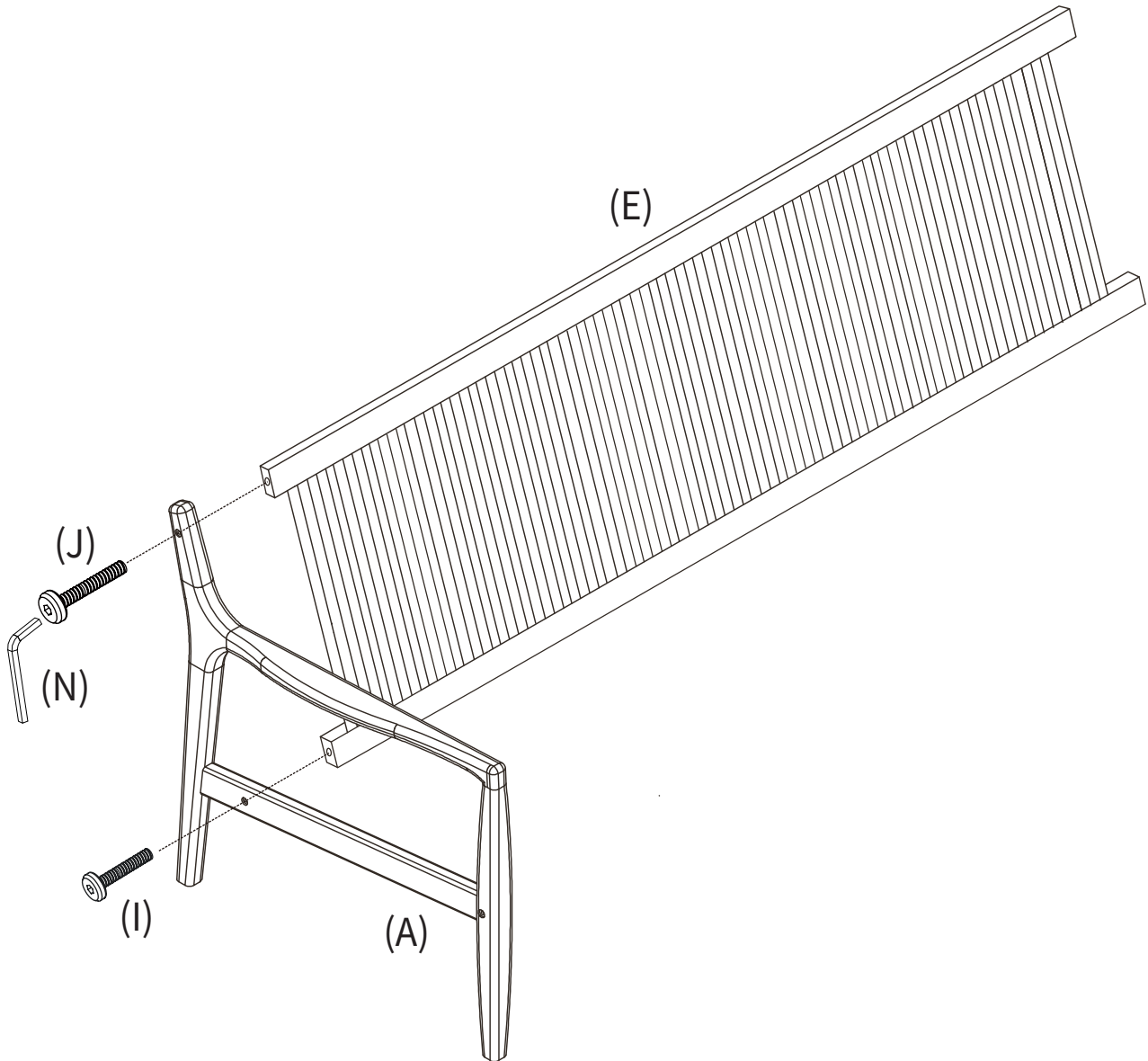
| NUMBER | COMPONENT   | QUANTITY |
|--------|---|----------|
| E      |  <p>Backrest</p>       | 1PC      |
| F      |  <p>Seat</p>          | 1PC      |
| G      |  <p>Seat cushion</p> | 3PCS     |
| H      |  <p>Back cushion</p> | 3PCS     |

# Assembly Instructions

| NUMBER | COMPONENT  | QUANTITY |
|--------|--|----------|
| I      | <br>BoltM6x40mm         | 9PCS     |
| J      | <br>BoltM6x55mm         | 4PCS     |
| K      | <br>ScrewM6x50mm      | 4PCS     |
| L      | <br>M6 Flat washer    | 9PCS     |
| M      | <br>M6 Plastic washer | 4PCS     |
| N      | <br>Allen Key         | 1PC      |

# Assembly Instructions

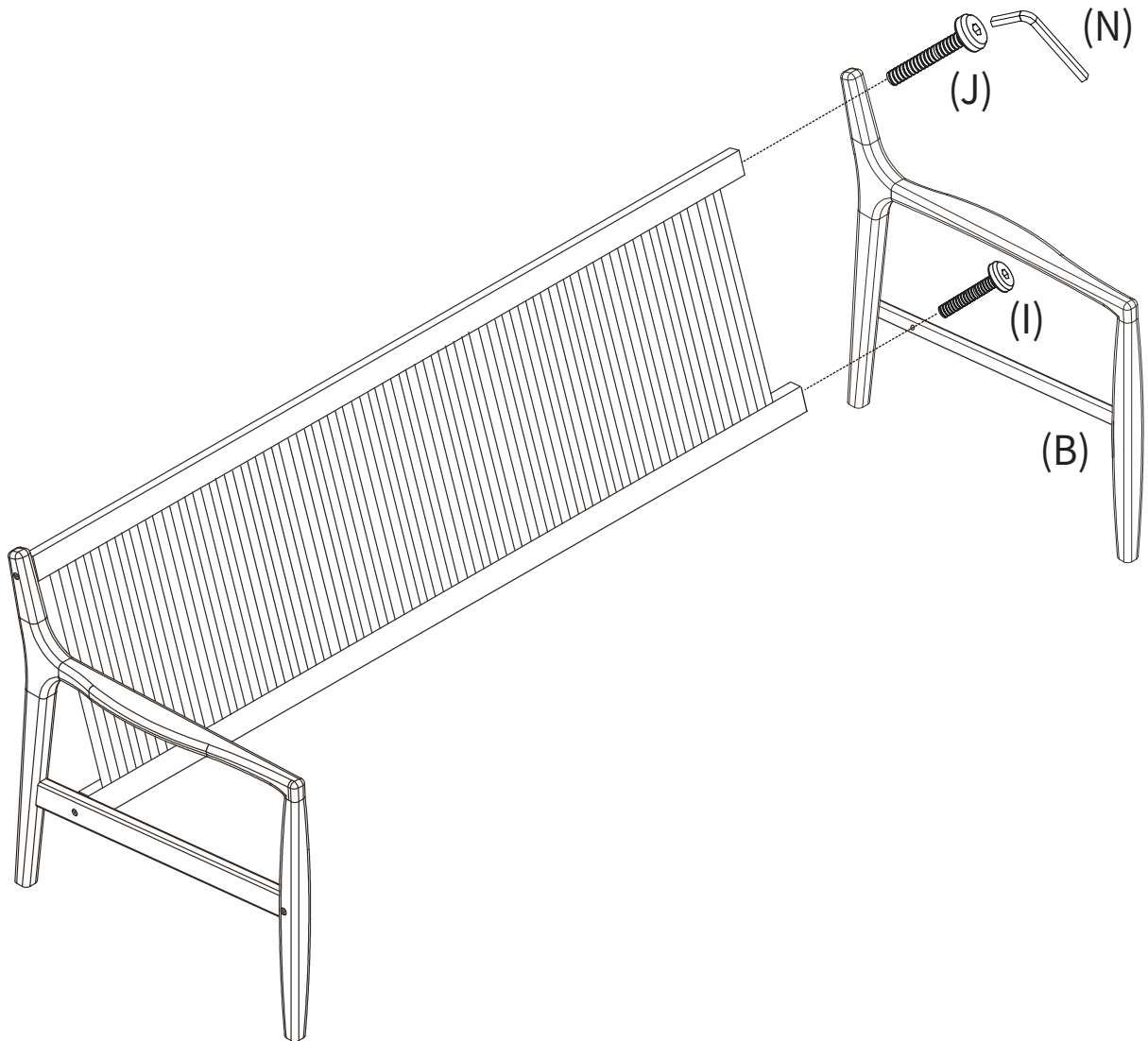
1



Place Right arm (A) in corresponding positions with Backrest (E).  
Secure with Bolt M6x40 (I) and Bolt M6x55 (J) in the order as shown.  
Engage all of the bolts by hand, then tighten them using the Allen key (N).

# Assembly Instructions

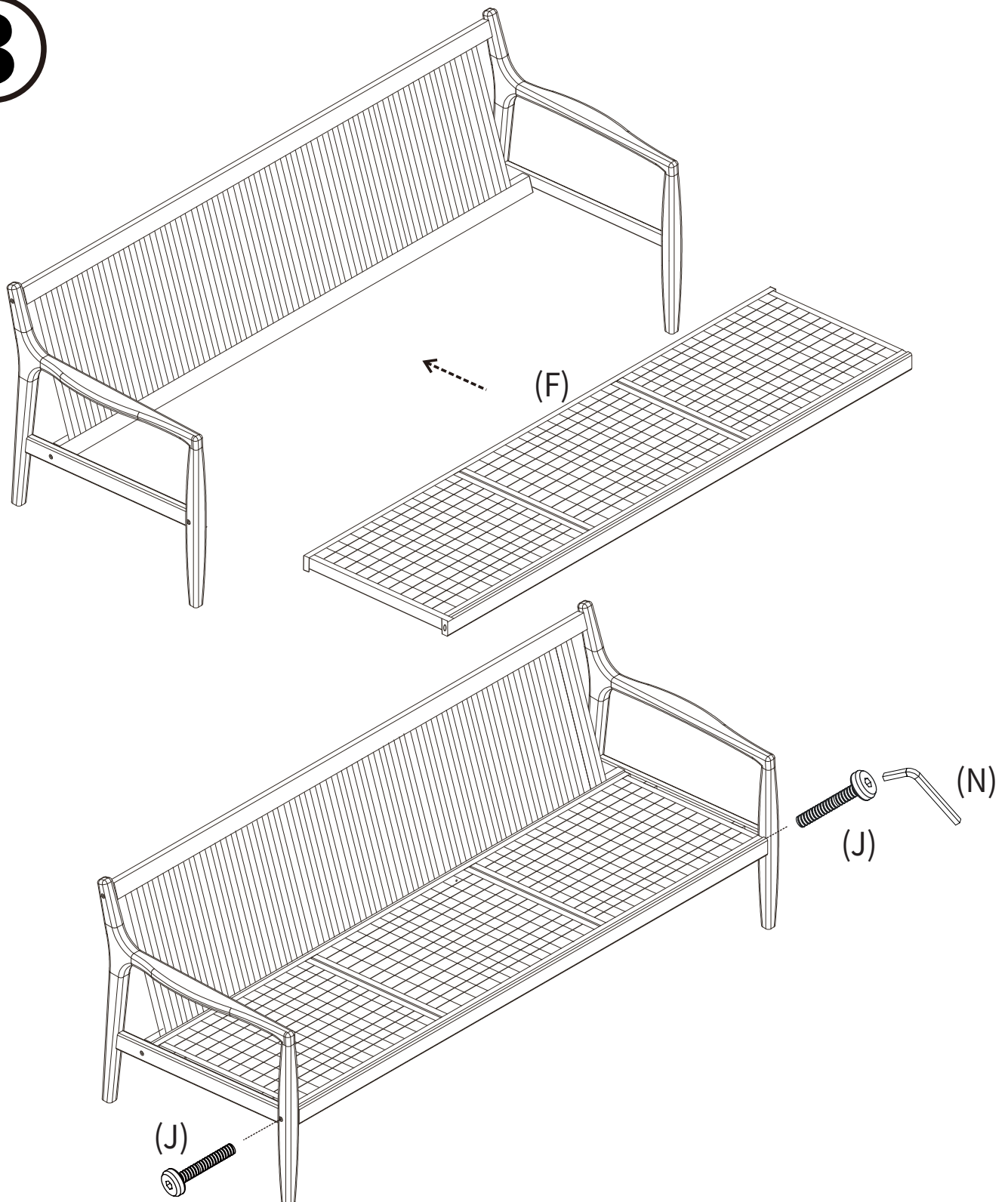
2



Place Left arm (B) in corresponding positions with Backrest (E).  
Secure with Bolt M6x40 (I) and Bolt M6x55 (J) in the order as shown.  
Engage all of the bolts by hand, then tighten them using the Allen key (N).

# Assembly Instructions

3



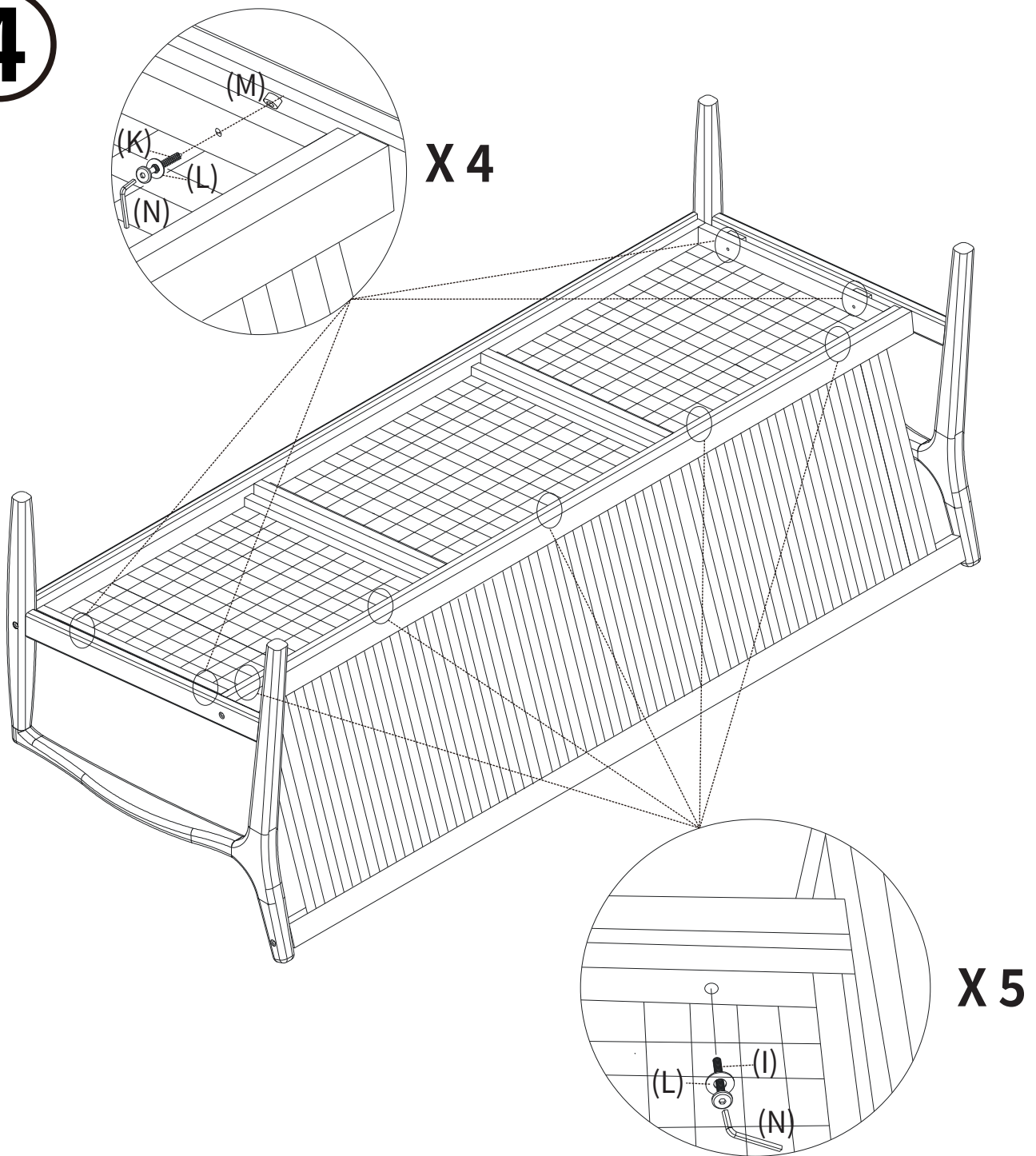
Place Seat (F) between Right arm (A) and Left arm (B) in corresponding positions.

Secure with Bolt M6x55 (J) in the order as shown.

Engage all of the bolts by hand, then tighten them using the Allen key (N).

# Assembly Instructions

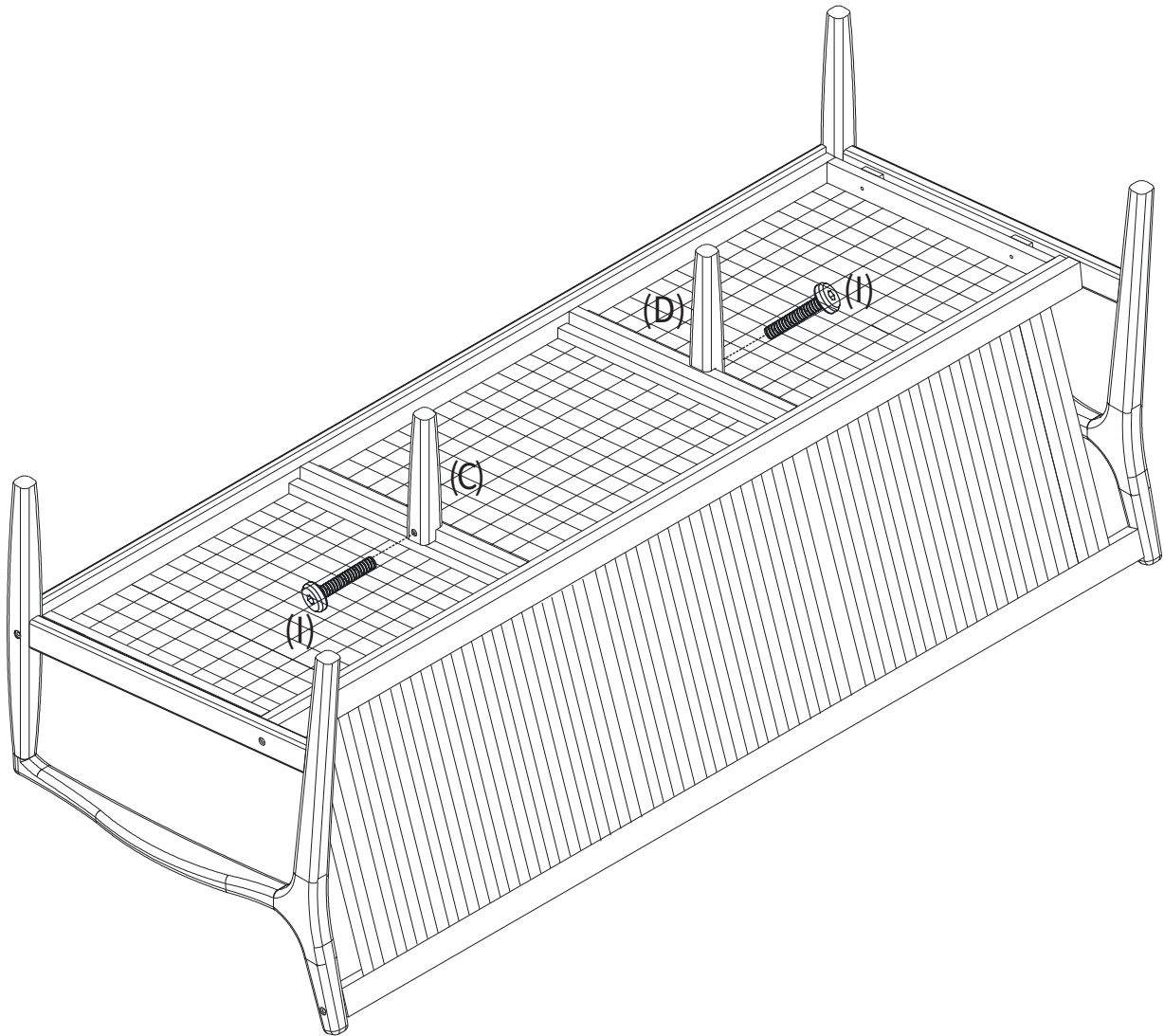
4



Secure with Bolt M6x40 (I) and Flat washers (L) and stacking the hardware in the order as shown. Engage all of the bolts by hand, then tighten them using the Allen key (N) to connect the Seat (F) with Backrest (E). Place Plastic washer (M) between the Seat (F) with Right arm (A) + Left arm (B), after that secure with Screw M6x50 (K) and Flat washers (L) and stacking the hardware in the order as shown. Then tighten them using the Allen key (N) to connect the Seat (F) with Right arm (A) + Left arm (B).

# Assembly Instructions

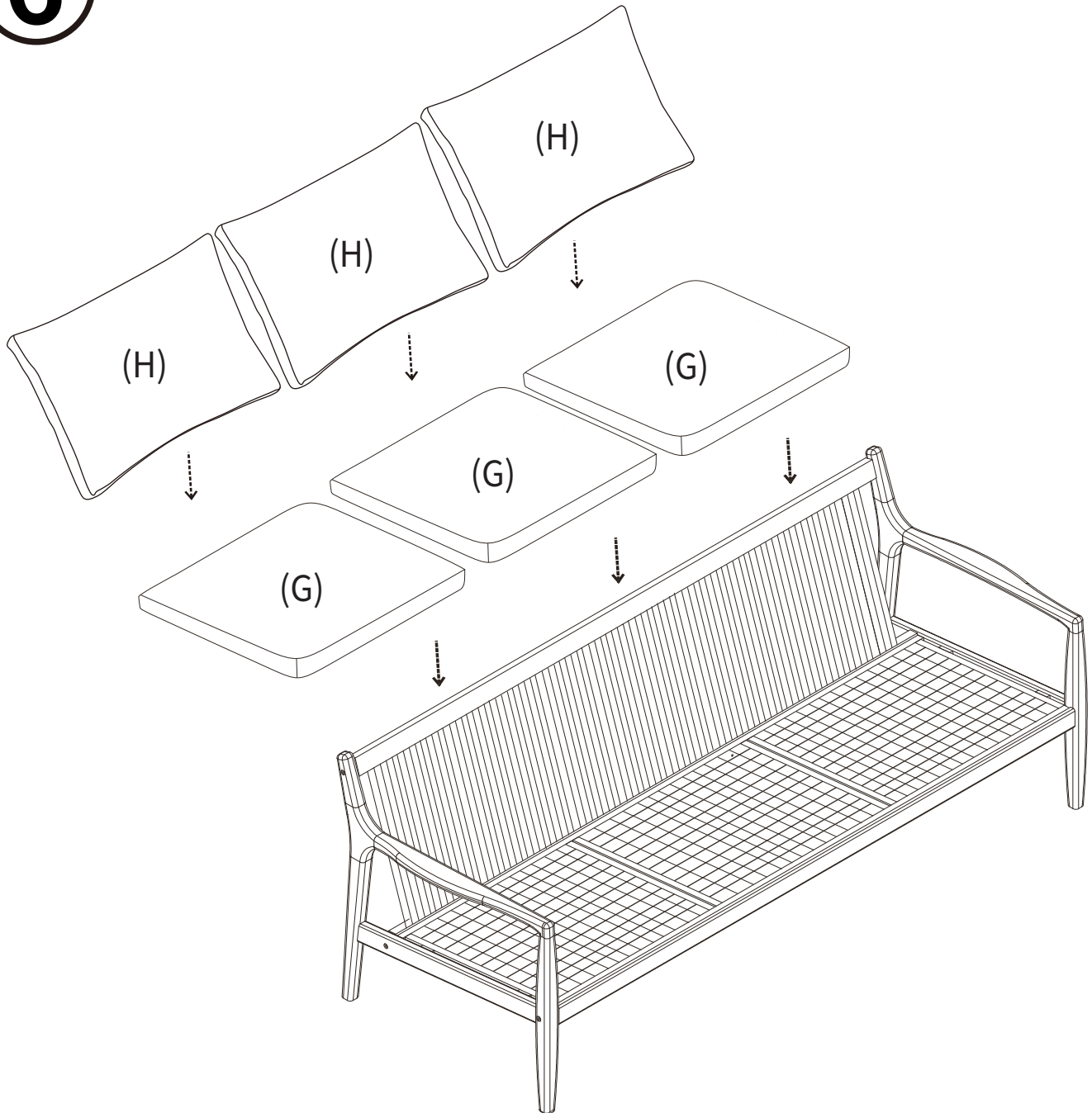
5



Place Right leg (C) and Left leg (D) in corresponding positions with Seat (F). Secure with Bolt M6x40 (I) in the order as shown. Engage all of the bolts by hand, then tighten them using the Allen key (N).

# Assembly Instructions

6



Place Seat cushion (G) and Back cushion (H) onto assembly as shown.

## FORM FOR REPLACING MISSING OR DAMAGED PIECES.

Model # of product: \_\_\_\_\_  
 Ordered by: \_\_\_\_\_  
 Ordered No: \_\_\_\_\_  
 Delivery date: \_\_\_\_\_

Were the boxes good when delivery to you                      Yes / No  
 Upon receiving the product, were all the parts intact                      Yes / No

Name: \_\_\_\_\_  
 Address: \_\_\_\_\_  
 \_\_\_\_\_

Tel: \_\_\_\_\_

**If the product is found damaged after assembly, please provide photo of the entire furniture set and all damaged areas.**

| Part# | Qty | Description | Missing/Damaged |
|-------|-----|-------------|-----------------|
|       |     |             | M / D           |
|       |     |             | M / D           |
|       |     |             | M / D           |
|       |     |             | M / D           |