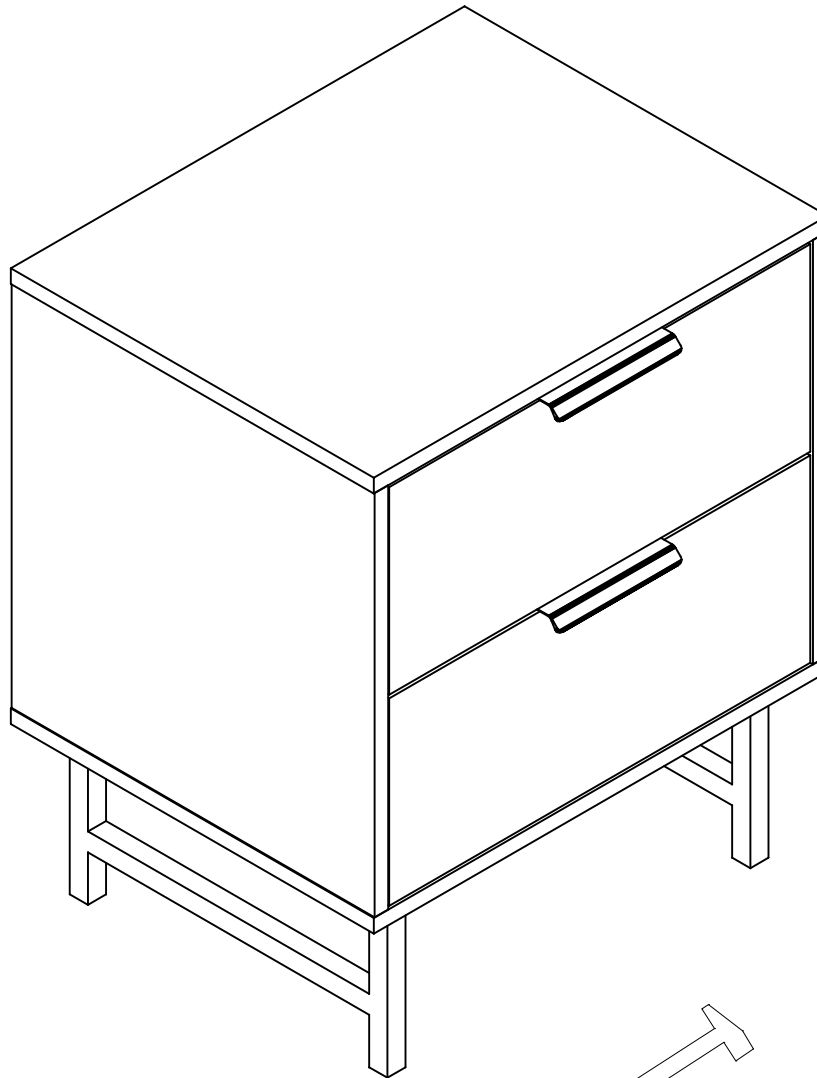
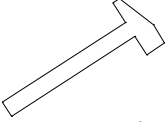
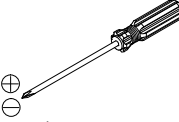
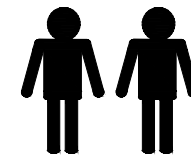
















# Assembly Instruction

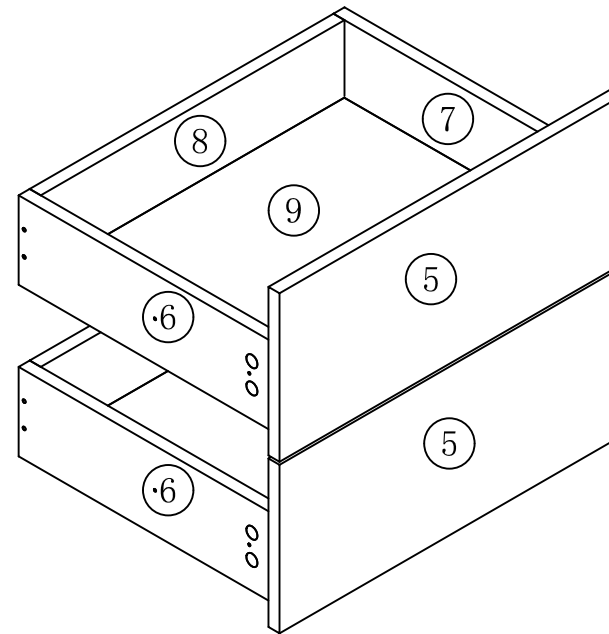
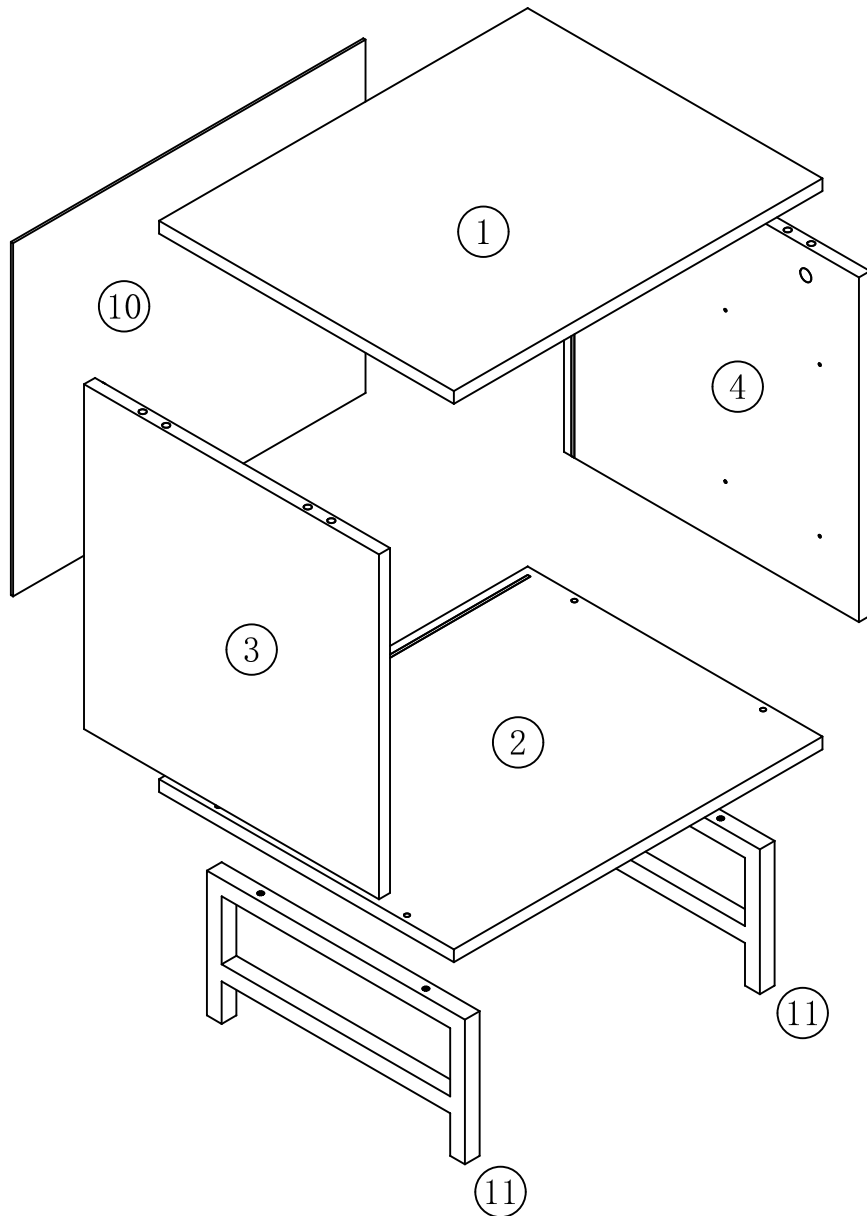




  
 Hammer and Screwdriver  
 are not included !!



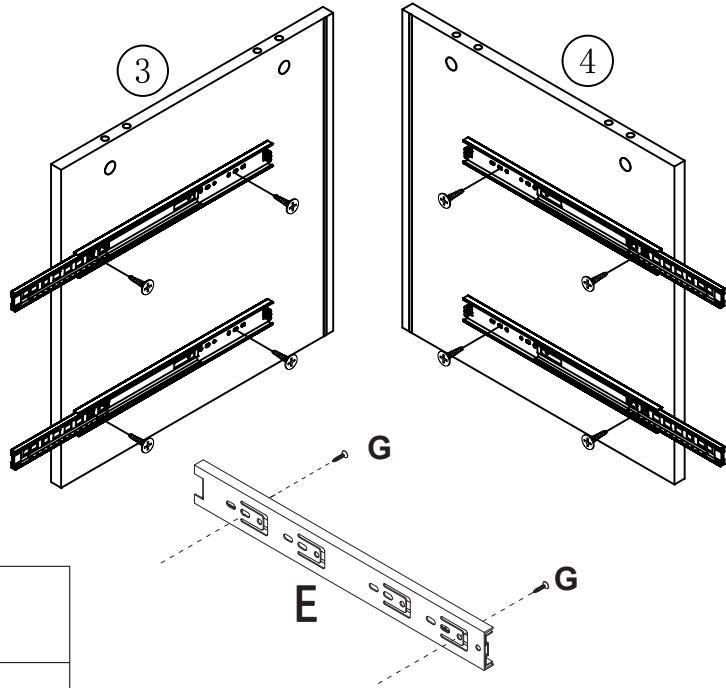
NO.	QTY.	LINEDRAWING
(A)	4	
(B)	12	
(C)	12	
(D)	4	 8x40
(E)	2	
(F)	8	 3.5x35
(G)	16	 3.5x14
(H)	4	 3.5x12
(I)	2	
(J)	8	
(K)	16	 $\phi 20$
(L)	4	 M6x30
(M)	2	
(N)	1	



# PARTS LIST



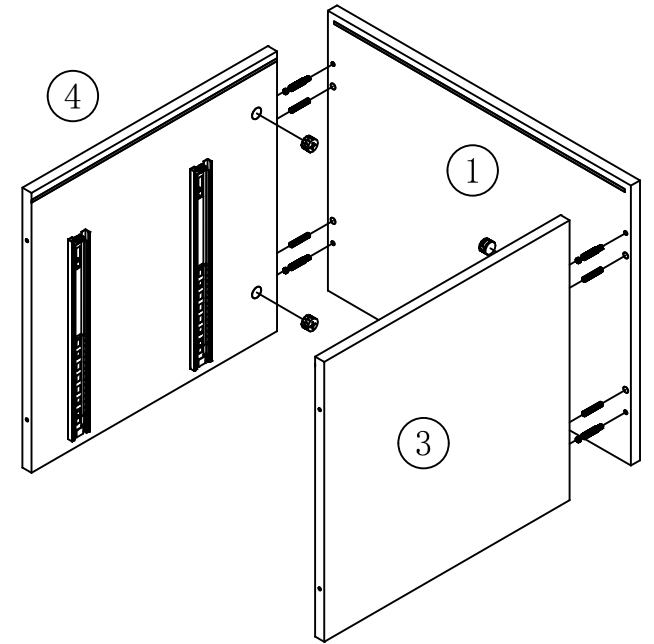
NO.	QTY.
①	1
②	1
③	1
④	1
⑤	2
⑥	2
⑦	2
⑧	2
⑨	2
⑩	1
⑪	2




1



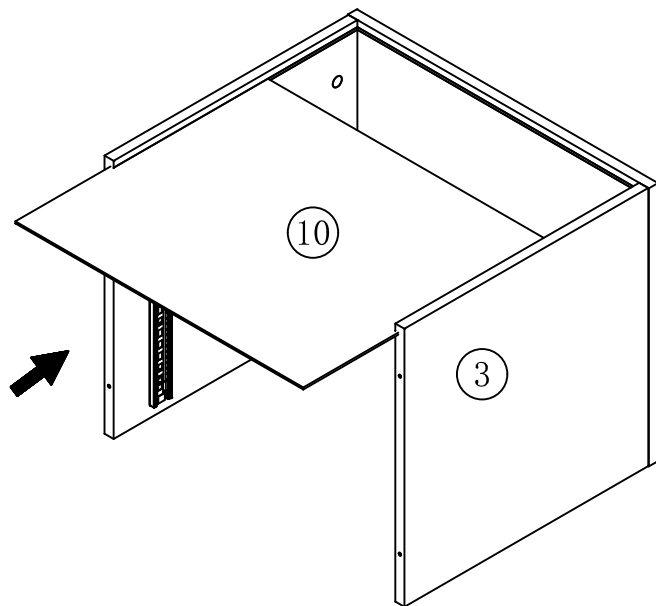
E		G	
	2x		8x

2

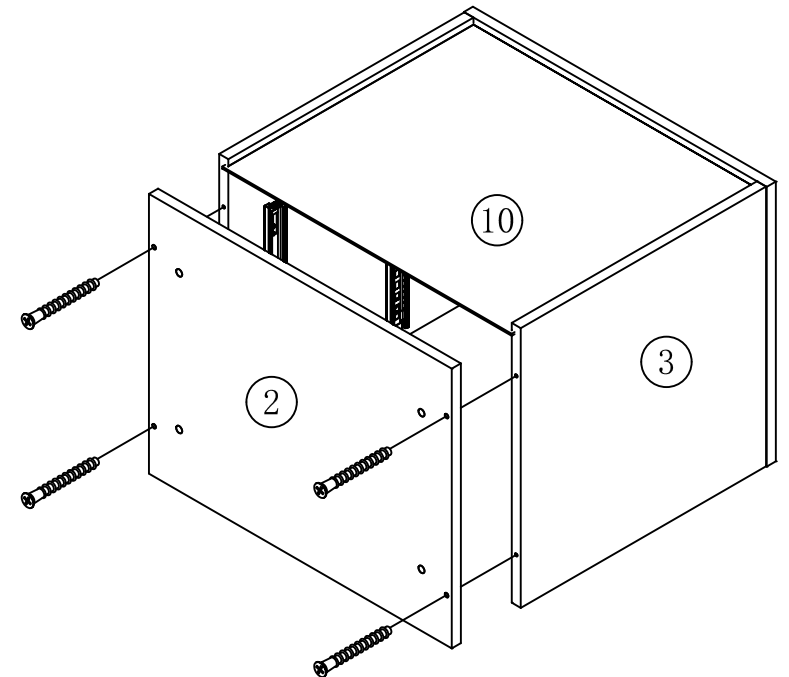



D		8x40
	4x	
B		4x
C		4x

3

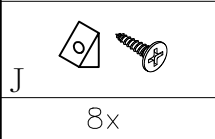
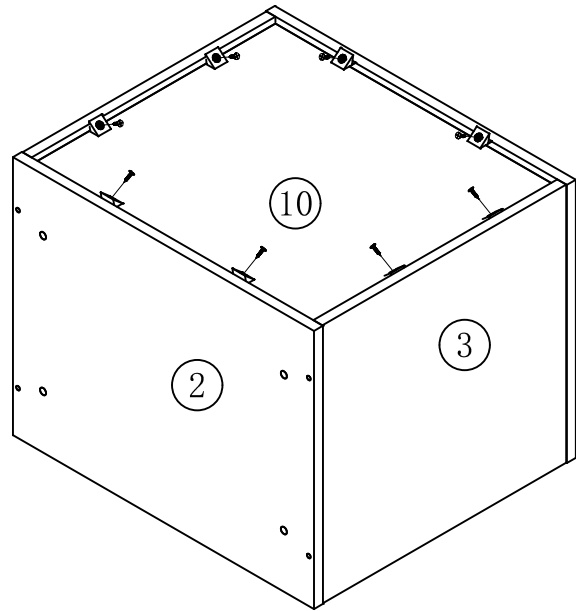


4

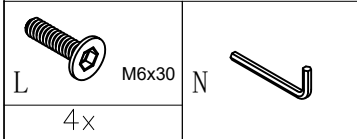
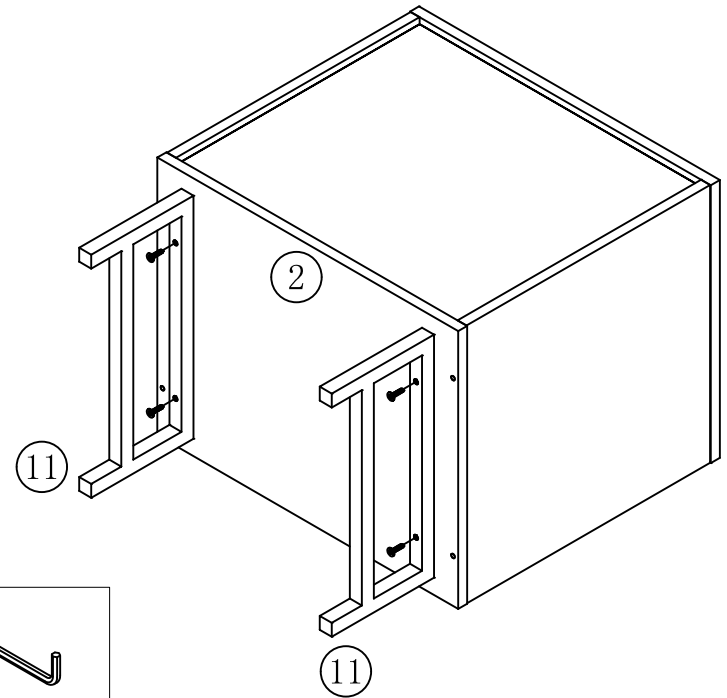


A	
	4x

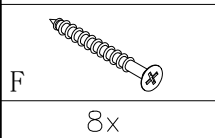
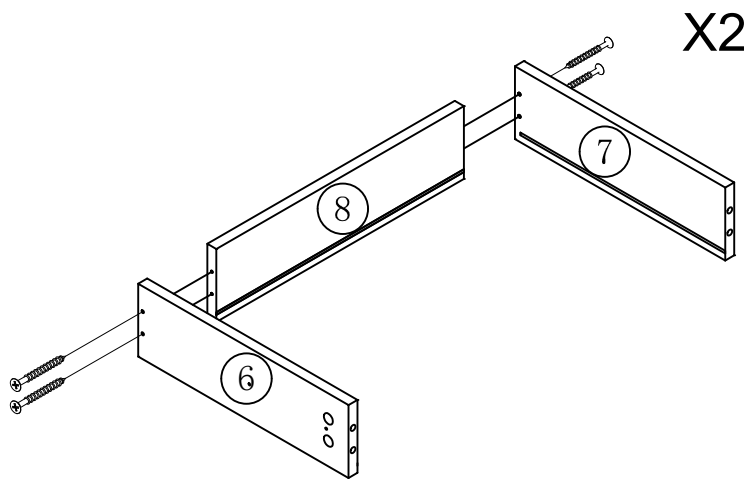
5



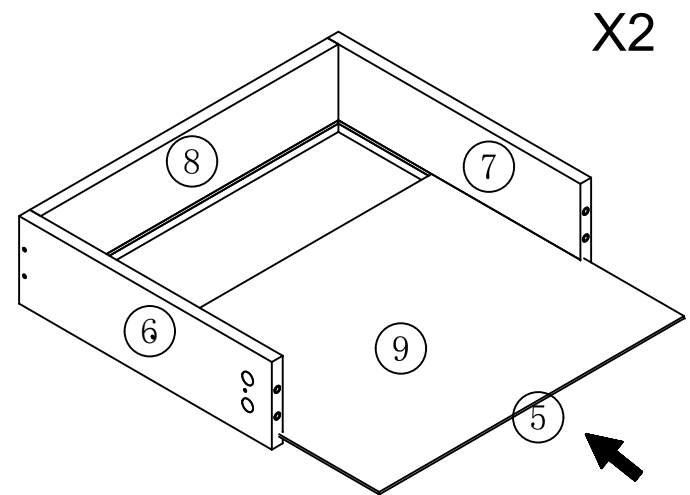
6



7

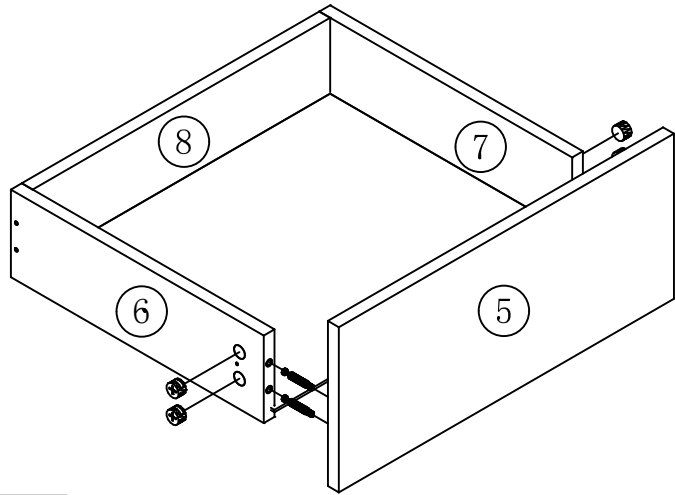




8



9

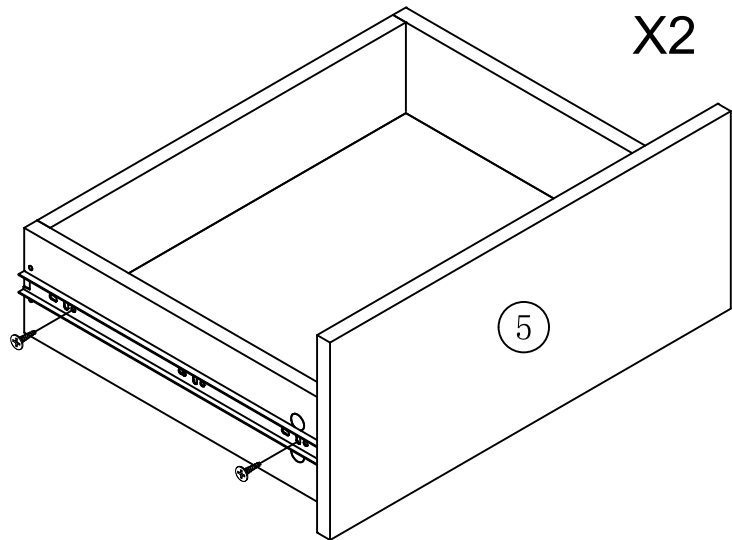
X2





B 	C 
8x	8x

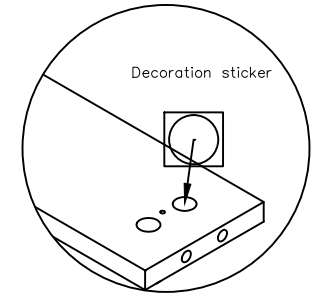
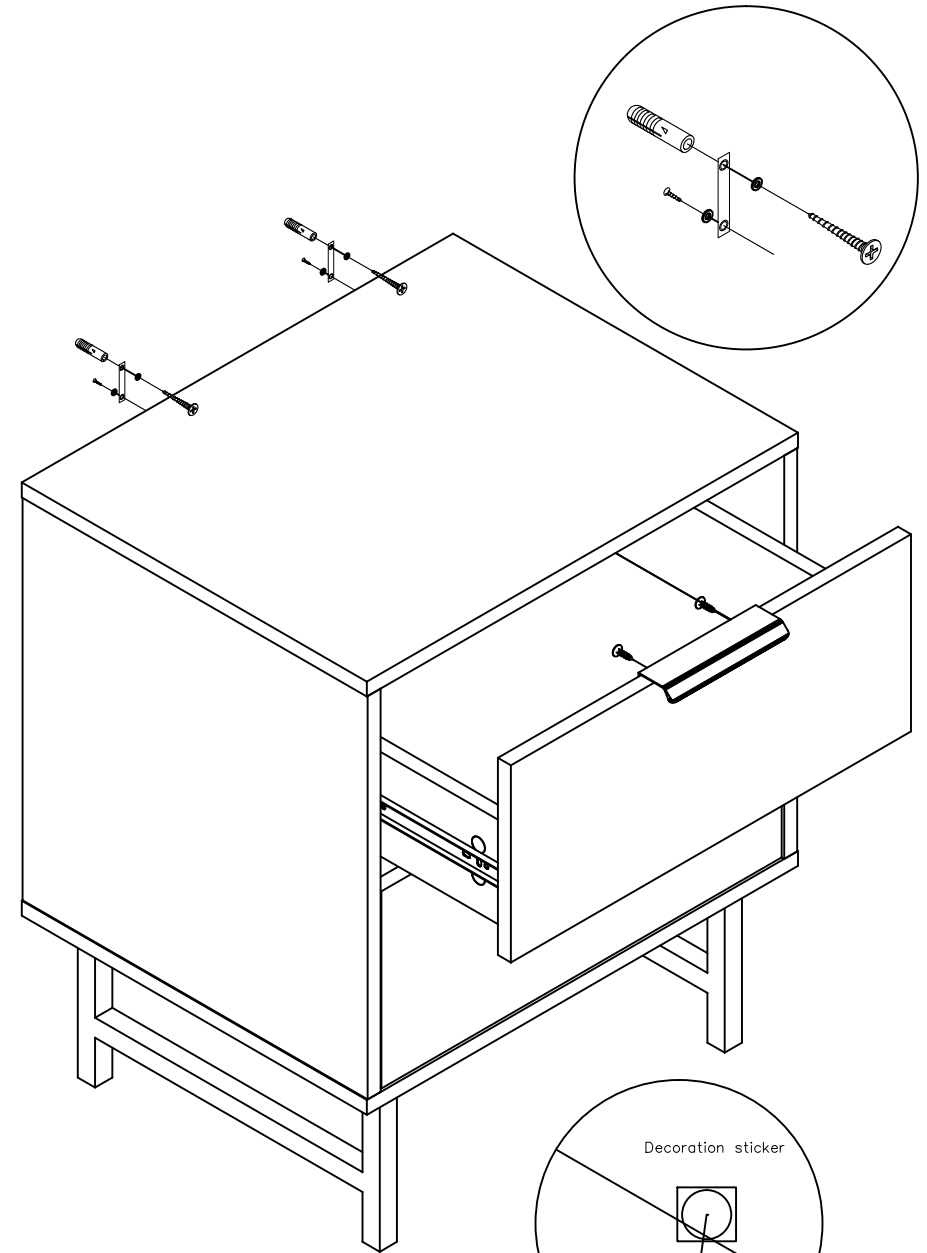
10





X2



E 	G 
2x	8x

11



I 	2x	
K  $\phi 20$	M 	H 
16x	2x	4x