

# Assembly Instructions

## CAUTION



• Inspect the wire insulation for any cuts, abrasions, or exposed copper that may have resulted during shipping. If there is a defect in the wire, do not attempt installation.

• Before starting installation of this fixture or removal of a previous fixture, disconnect the power by turning off the circuit breaker or by removing the fuse at the fuse box.

## TOOLS REQUIRED



Ladder



Safety glasses



Electrical tape



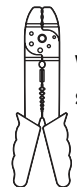
Phillips screwdriver



Flat blade screwdriver

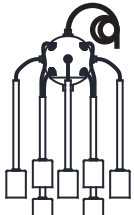


Pliers



Wire strippers

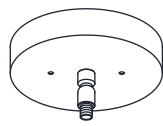
## HARDWARE INCLUDED



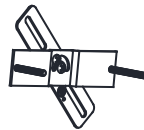
Fixture



Stems



Canopy



Mounting Unit



Ball Nuts



Mounting Screws



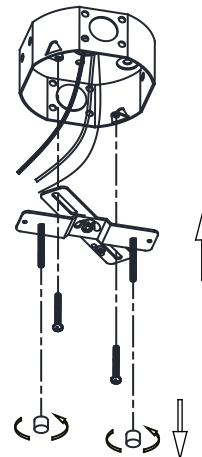
Wire Nuts

**\*PARTS SHOWN MAY DIFFER SLIGHTLY PER LIGHT FIXTURE**

## INSTALLATION

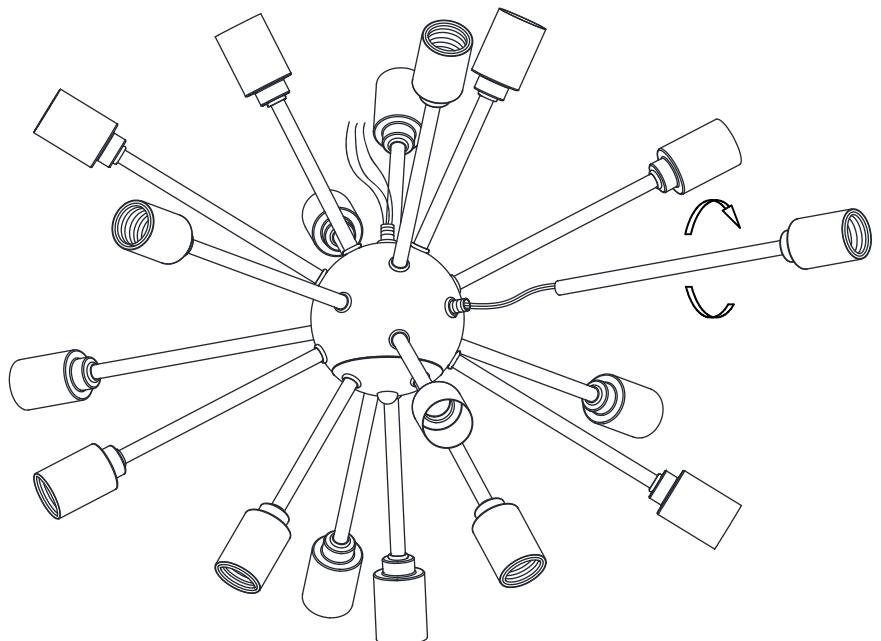
### STEP 1

Unscrew the **ball nuts** from the **mounting unit**. Use the **mounting screws** to attach the **mounting unit** to the junction box.



### STEP 2

Install lamp holder on the **fixture**.

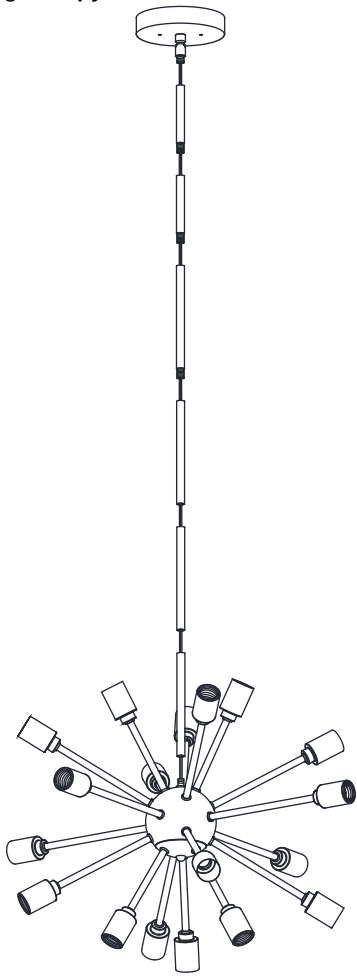


# Assembly Instructions

## INSTALLATION

### STEP 3

Install **stems** based on the desired length of the item, adding **canopy** once finished.



### STEP 4

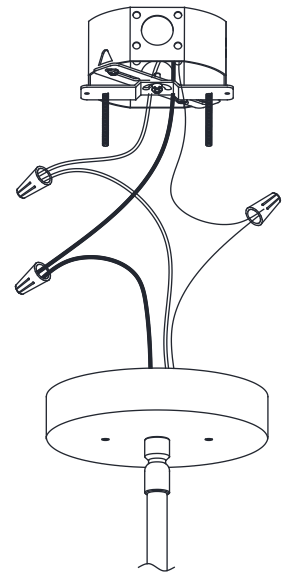
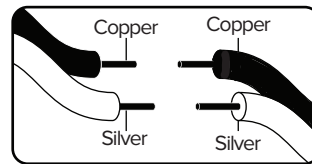
Make the electrical connection from the junction box to the **fixture**. Connect the ground wire to the **mounting unit** using the preinstalled green ground screw. Then, connect the positive, negative and ground wires with the supplied **wire nuts**. Secure with electrical tape.

Connect Clear, Brown, Gold or Black Parallel Wire without tracer (round & smooth) or Black Fixture Wire to:

Connect Clear, Brown, Gold or Black \*Parallel Wire with tracer (square & ridged) or White Fixture Wire to:

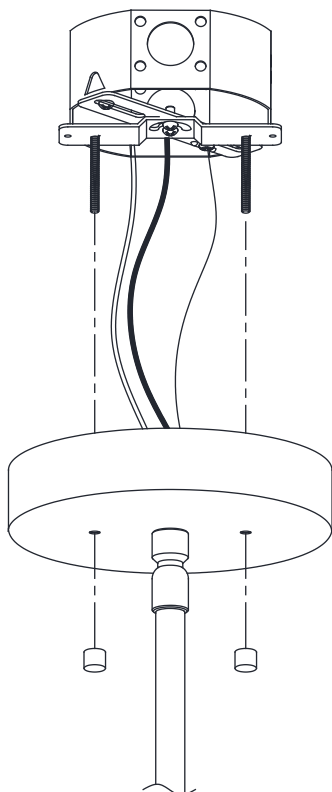
Black or Red Supply Wire or Insulated Wire (other than green) with copper conductor.

White Supply Wire or Insulated Wire (other than green) with silver conductor



### STEP 5

Secure the **canopy** to the **mounting unit** with the **ball nuts**.



### STEP 6

Install bulbs (not included)

