

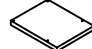





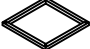




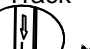

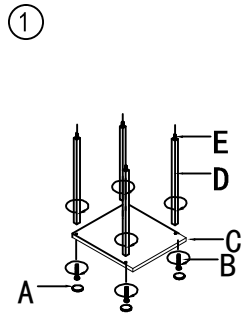
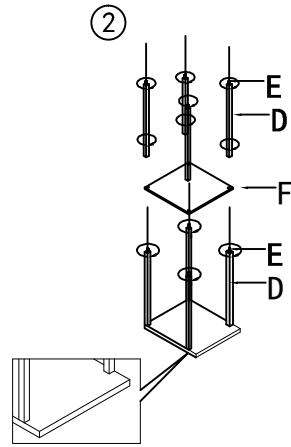


Assembly Instruction

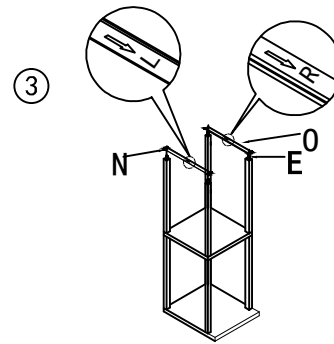
A Stick Cushion	B Screw	C Thick Board	D Long Pole	E Screw
 4PCS	 8PCS	 1PC	 12PCS	 12PCS
F Board	G Board	H Short Pole	I Frame	J Cap
 2PCS	 1PC	 4PCS	 1PC	 4PCS
K Shade	L Drawer	M Wire Clamps	N Track	O Track
 4PCS	 1PC	 3PCS	 1PC	 1PC



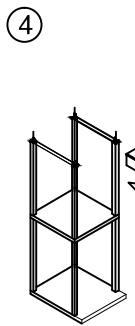
1. Carefully unpack all parts from the packaging and place them on a flat/smooth surface. Be sure to remove all the packaging materials from the lamp. Screw and tighten the long poles (D) to thick board (C) with screws (B), and cover them with cushions (A). Tighten the screw (E) on the top of long pole (D).



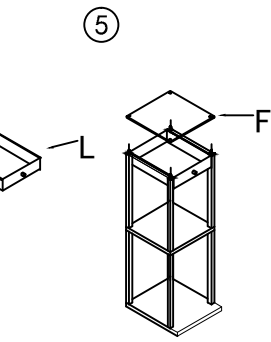
2. Place board (F) on screw (E) and tighten long pole (D) on the screw (E) installed on step 1. Tighten the screw (E) on the top of the long pole (D).



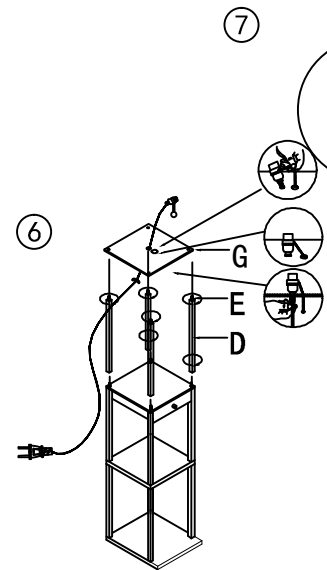
3. Put tracks (N) and (O) into the poles (D), tighten with screw (E). Note: Please make sure the tracks (N) and (O) are placed in the correct direction for drawer (L).



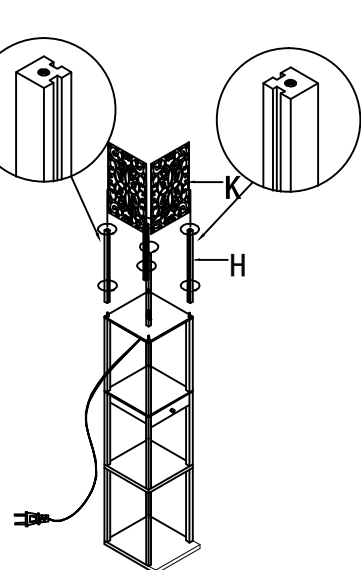
4. Put drawer (L) onto the tracks.



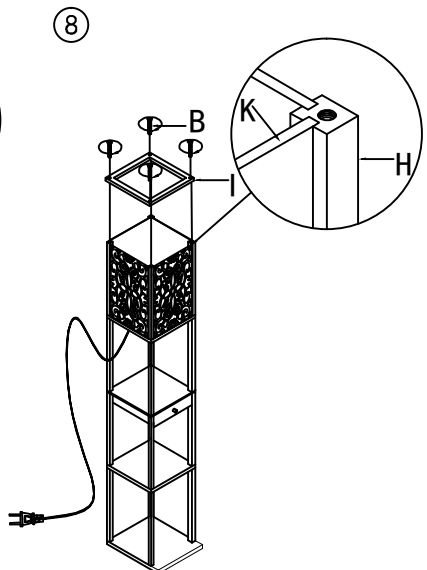
5. Place board (F) onto the drawer (L).



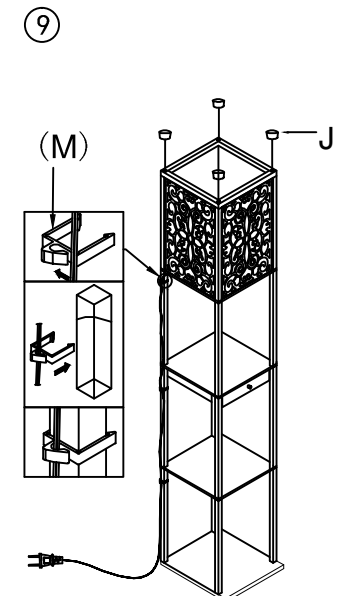
6. Tighten long pole (D) on the board (F), then tighten screw (E) on the top of the long pole (D). Place board (G) onto the poles (D).



7. Screw the short poles (H) on board (G), tighten to the correct position as above. Slide the shade (K) into short poles (H).



8. Place frame (I) onto short poles (H) and tighten with screw (B).



9. Put the caps (J) onto frame (I), cover the screws (B). Attach the clamp (M) on the pole to secure the wire, your lamp is ready to use.