



# Undertone® Preserve®

Undermount double-equal kitchen sink  
K-3171-HCF

## Features

- 36" minimum base cabinet width.
- Double-equal bowls.
- 9-1/2" depth provides generous workspace.
- Innovative Preserve™ sink resists scratching and withstands everyday wear and tear.
- Rear drain increases workspace in the sink and storage space underneath.
- Includes bottom sink rack.
- Includes installation hardware.

## Material

- Premium 18-gauge stainless steel.

## Installation

- Undermount.

## Recommended Products/Accessories

- K-6388 Sink Rack
- K-3294 Hardwood cutting board for kitchen sinks
- K-8801 Sink drain and strainer with tailpiece (Qty 2)
- K-8799 Sink drain and strainer basket
- K-23726 Drain treatment
- K-23729 Stainless steel cleaner

## Optional Products/Accessories

- K-11352 Disposal Flange with Stopper

## Included Components

- Additional Components:
- Bottom Bowl Rack

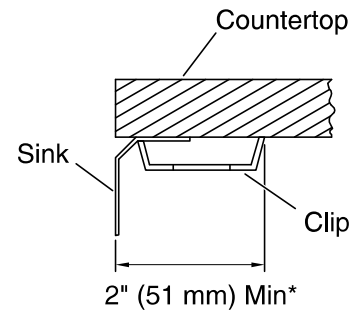
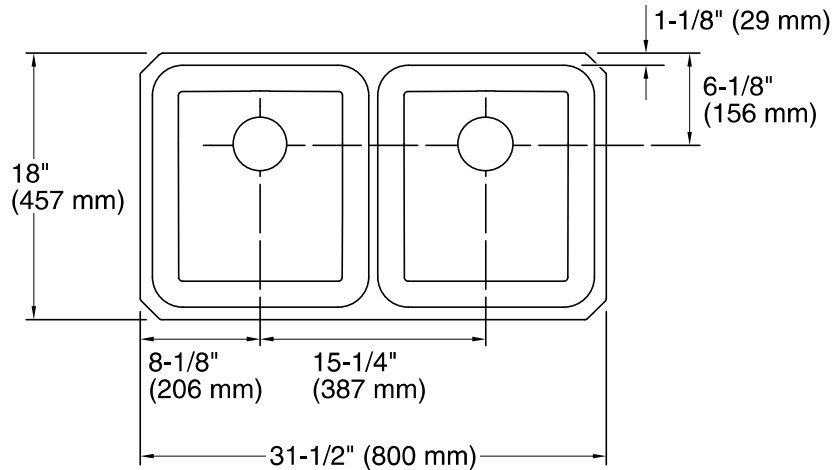


## Codes/Standards

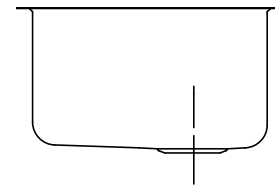
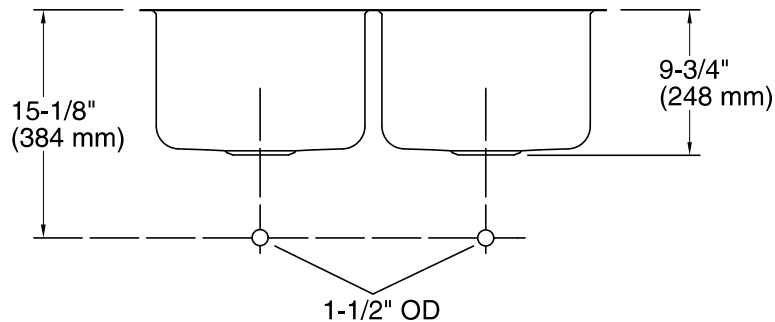
ASME A112.19.3/CSA B45.4

## Lifetime Limited Warranty for KOHLER® Stainless Steel Sinks

See website for detailed warranty information.



\* Allow clearance around sink rim for clip attachment.



### Technical Information

All product dimensions are nominal.

Bowl configuration: Double equal

Installation: Under-mount

Min. base cabinet width: 36" (914 mm)

Bowl area (Left): Length: 14" (356 mm)  
Width: 15-3/4" (400 mm)  
Bowl depth: 9-1/2" (241 mm)  
Water depth: 9-1/2" (241 mm)

Bowl area (Right): Length: 14" (356 mm)  
Width: 15-3/4" (400 mm)  
Bowl depth: 9-1/2" (241 mm)  
Water depth: 9-1/2" (241 mm)

Drain hole: 3-3/4" (94 mm)

Template: 1221369-7, required, included

### Notes

Install this product according to the installation instructions.

Allow a minimum of 2" (51 mm) clearance around the sink rim for clip attachment.