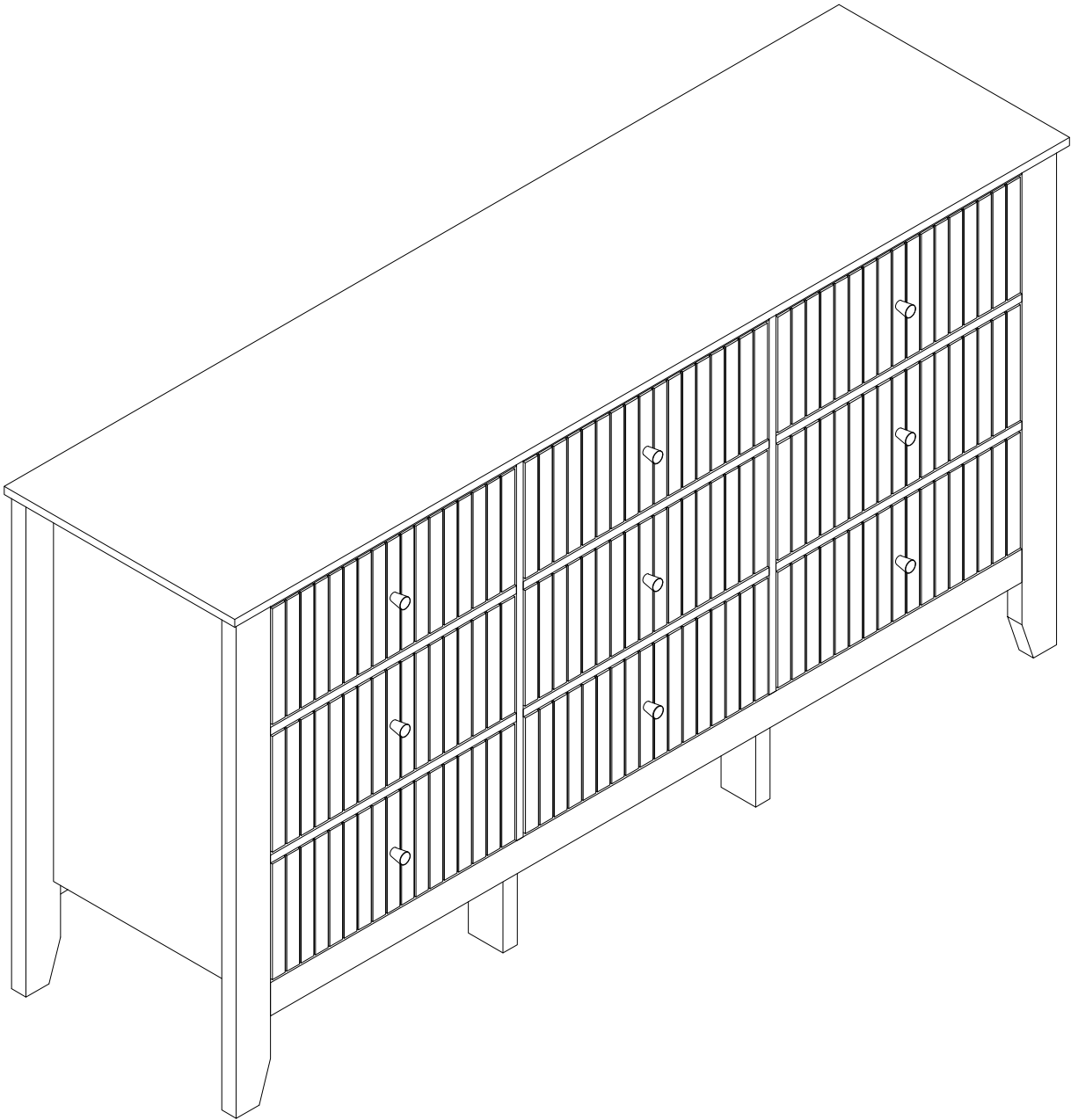


ASSEMBLY INSTRUCTIONS



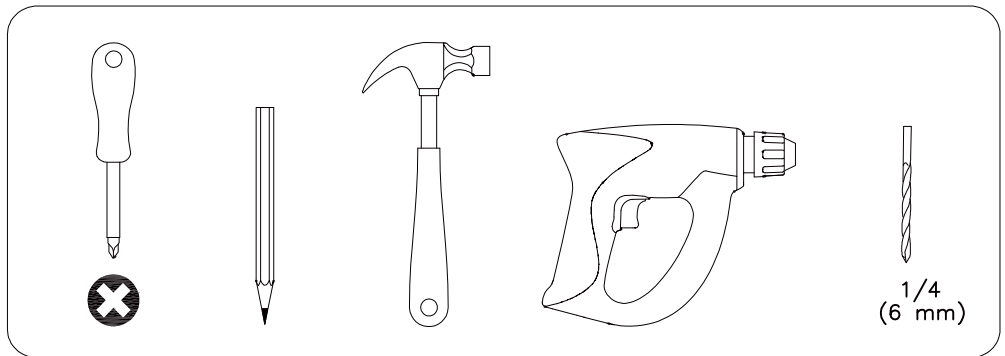
Read this instruction carefully. Refer hardware and furniture parts list for guidance. Be sure all parts are complete before assembling. Place all wooden furniture part on a clean and flat soft surface to prevent scratches. Refer steps provided as assembling guide.

PRE-ASSEMBLY PREPARATION

Before you start:

1. Choose a clean, level, spacious assembly area. Avoid hard surfaces that may damage the product.
2. Take care when lifting. Product should be assembled as near as possible to the point of use.
3. Ensure that you have all required contents for complete assembly.
4. Always read the assembly instructions carefully before beginning assembly.
5. Keep all hardware parts and packaging out of reach of small children.
6. Do not over tighten the screws and bolts as this may damage the threads.

Tools Needed (not included)



WARNING



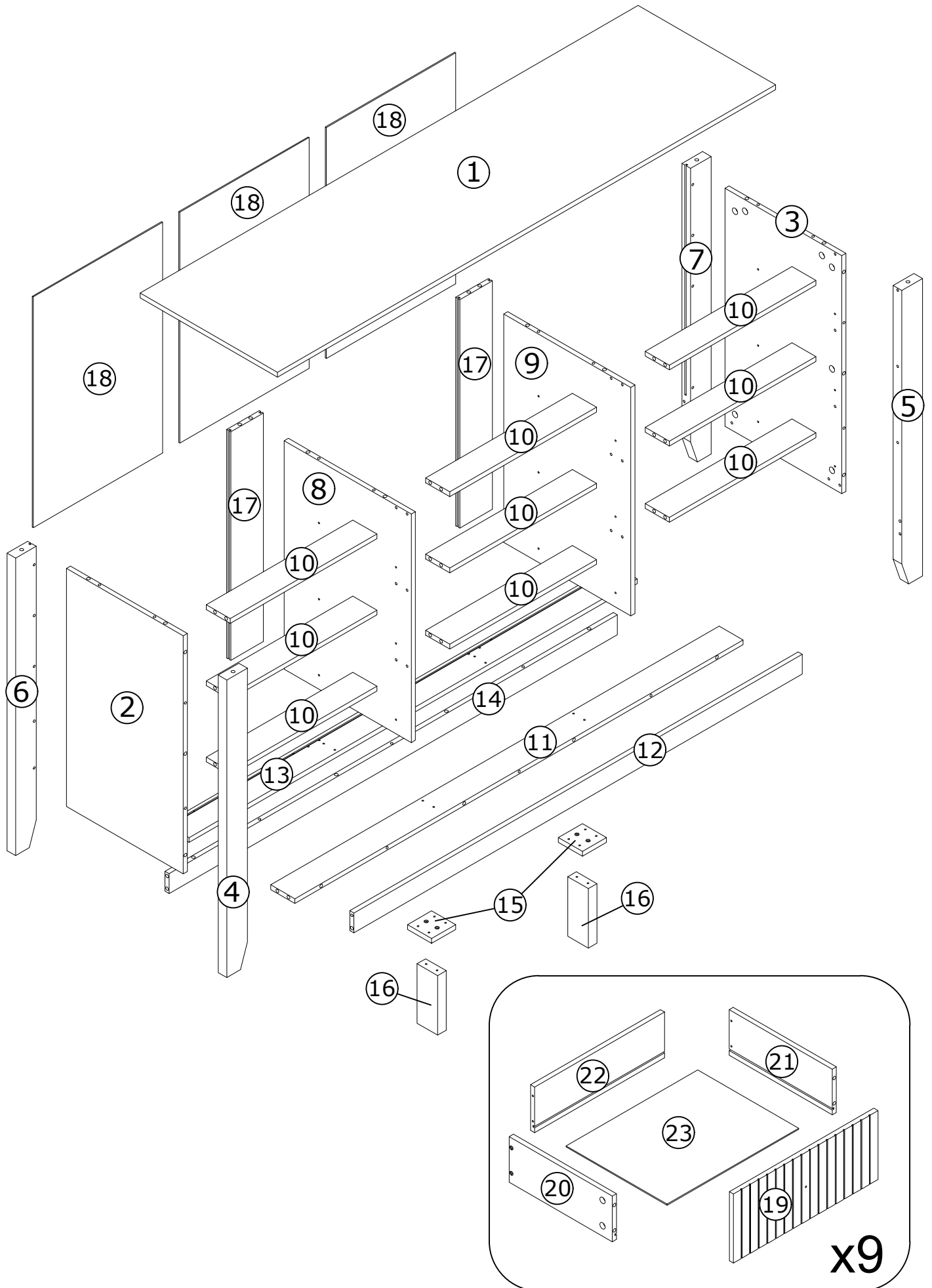
Furniture tipovers can be fatal to children. To minimize this risk:

- **ALWAYS** use the tipover restraint provided.
- **DO NOT** place a TV or similar items on the product.
- **DO NOT** let children stand, climb or hang on drawers, doors, or shelves.
- **ONLY** open one drawer at a time.
- **STORE** the heaviest items in the bottom drawers.




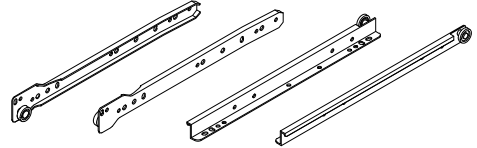

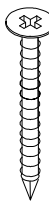
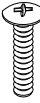
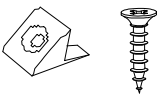
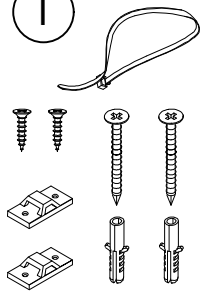

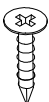
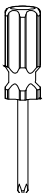


This label must remain in place and cannot be removed.

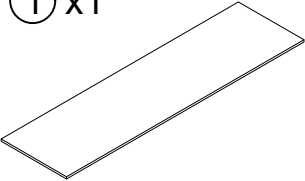
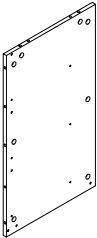
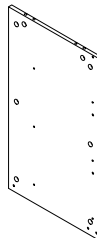




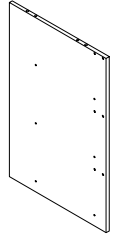
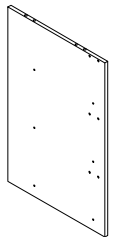
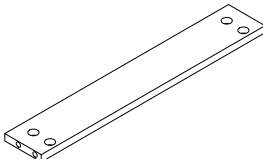
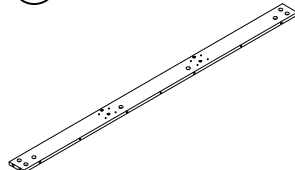
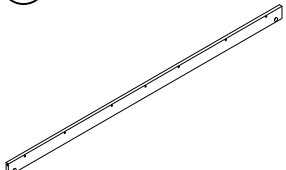
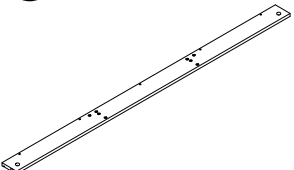
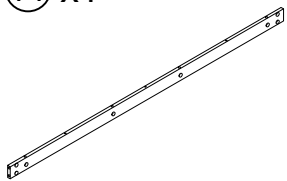
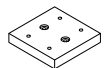

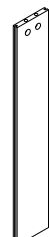
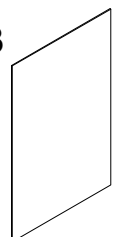
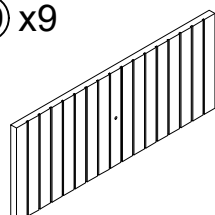
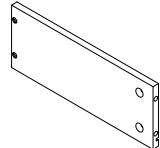
Product disassembly diagram



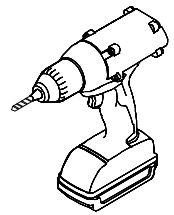
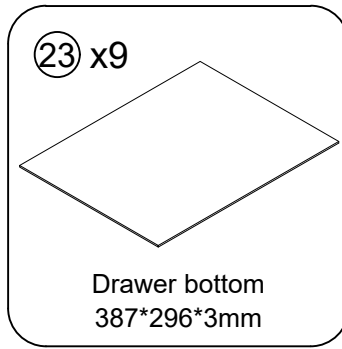
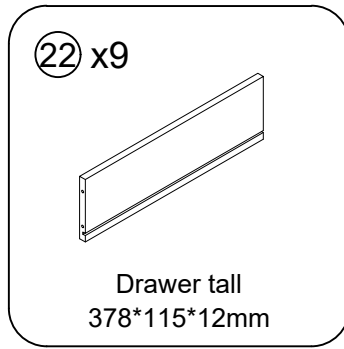
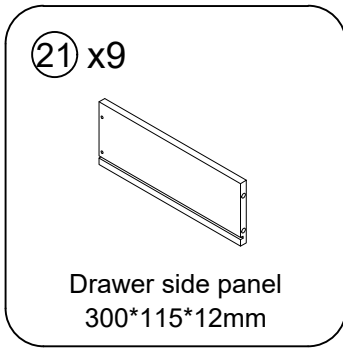
Hardware List

<p>A</p>  <p>M6x35mm (120+3PCS)</p>	<p>B</p>  <p>M15x10mm (120+3PCS)</p>	<p>C</p>  <p>M6x30mm (24+2PCS)</p>	<p>D</p>  <p>CL CR DL DR (9PCS)</p>	
<p>E</p>  <p>M3x12mm (72+3PCS)</p>	<p>F</p>  <p>M4x35mm (52+3PCS)</p>	<p>G</p>  <p>M4x18mm (9+1PCS)</p>	<p>H</p>  <p>(8PCS)</p>	<p>I</p>  <p>(2PCS)</p>
<p>J</p>  <p>(9PCS)</p>	<p>K</p>  <p>M4x20mm (8+1PCS)</p>	 <p>(1PC)</p>		

Panel List

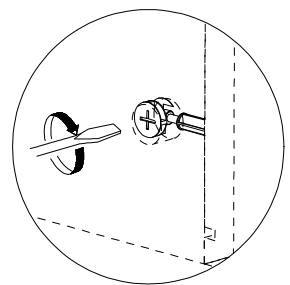
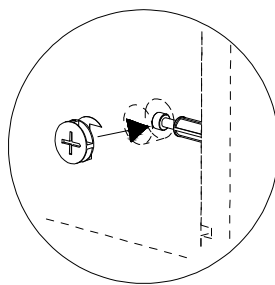
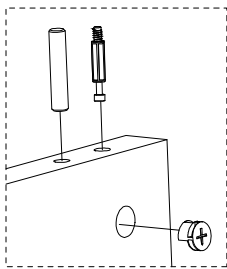
<p>① x1</p>  <p>Top panel 1450*398*12mm</p>	<p>② x1</p>  <p>Lateral plate 600*339*12mm</p>	<p>③ x1</p>  <p>Lateral plate 600*339*12mm</p>	<p>④ x1</p>  <p>Front Feet 751*59*25mm</p>
<p>⑤ x1</p>  <p>Front Feet 751*59*25mm</p>	<p>⑥ x1</p>  <p>Back Feet 751*59*25mm</p>	<p>⑦ x1</p>  <p>Back Feet 751*59*25mm</p>	<p>⑧ x1</p>  <p>Middle plate 576*369*12mm</p>
<p>⑨ x1</p>  <p>Middle plate 576*369*12mm</p>	<p>⑩ x9</p>  <p>Drawer pull plate 427*69*12mm</p>	<p>⑪ x1</p>  <p>Middle Pull plate 1305*70*12mm</p>	<p>⑫ x1</p>  <p>Pull plate 1305*50*12mm</p>
<p>⑬ x1</p>  <p>Back Bottom Pull plate 1305*70*12mm</p>	<p>⑭ x1</p>  <p>Pull plate 1305*50*12mm</p>	<p>⑮ x2</p>  <p>Middle Foot Fixing plate 70*70*12mm</p>	<p>⑯ x2</p>  <p>Middle Feet 150*60*25mm</p>
<p>⑰ x2</p>  <p>Back pull plate 576*94.5*12mm</p>	<p>⑱ x3</p>  <p>Back panel 582*377*3mm</p>	<p>⑲ x9</p>  <p>Drawer panel 174*422*12mm</p>	<p>⑳ x9</p>  <p>Drawer side panel 300*115*12mm</p>

Panel List



REMARK:

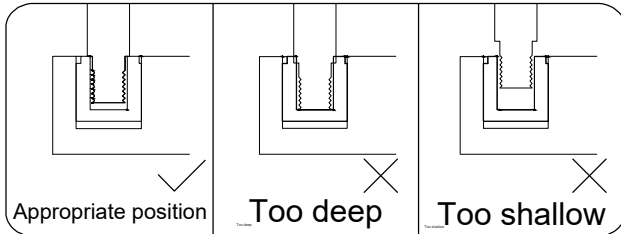
MINIFIX POSITION



Assembling the unit with camlocks and wood dowels.

REMARK:

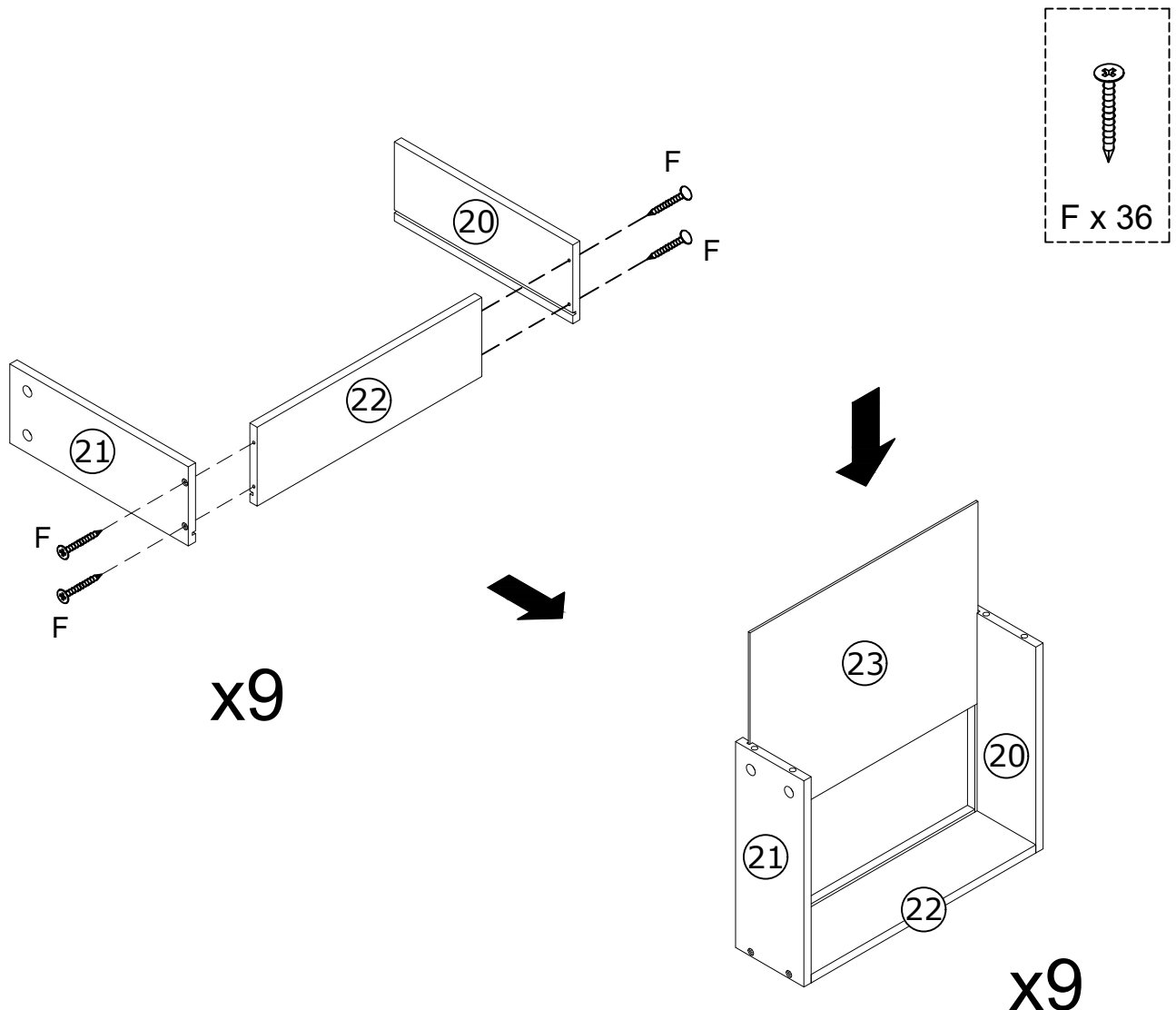
Please do not screw **A** too deep or too shallow.



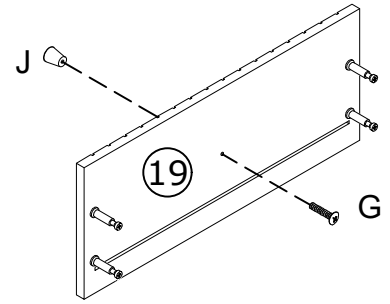
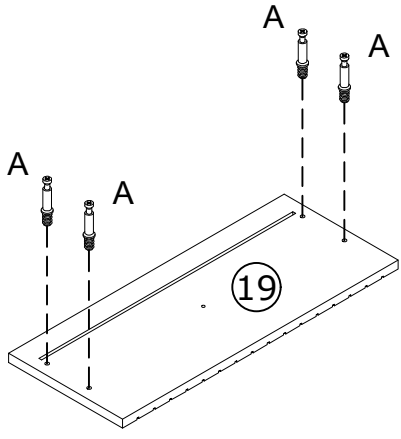
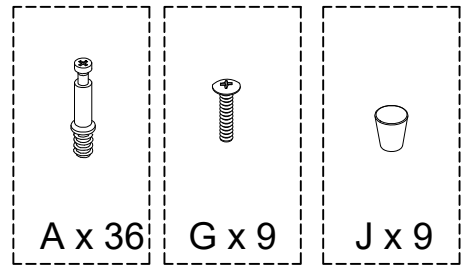
REMARK :

Put a blanket under the board to avoid scratch or damage.

Step 1



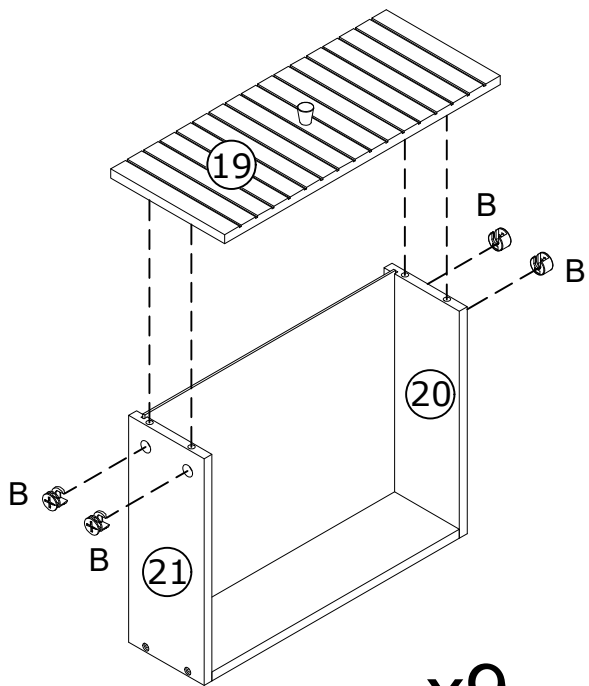
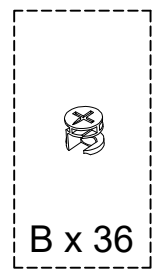
Step 2



x9

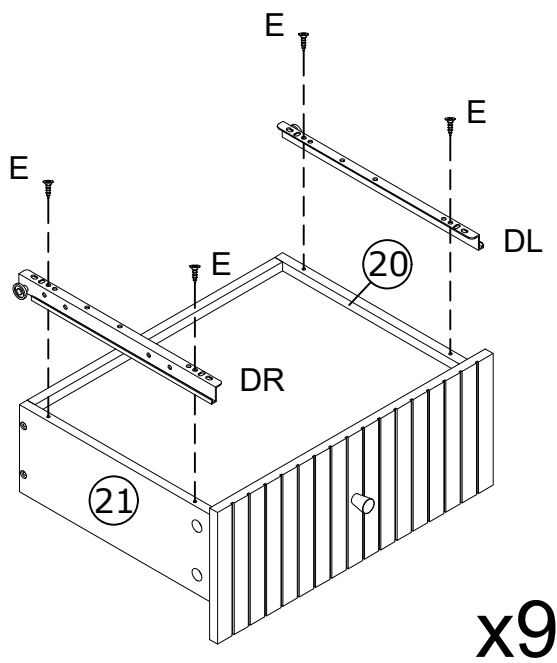
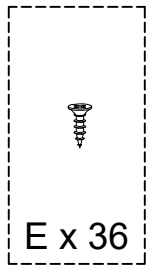
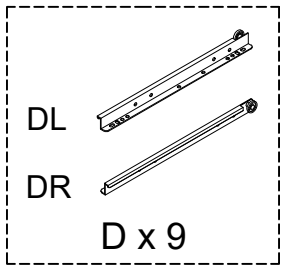
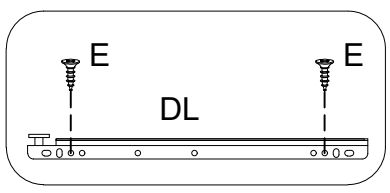
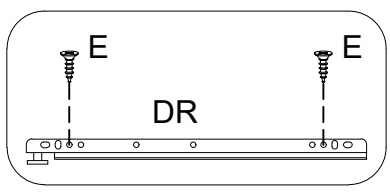
x9

Step 3

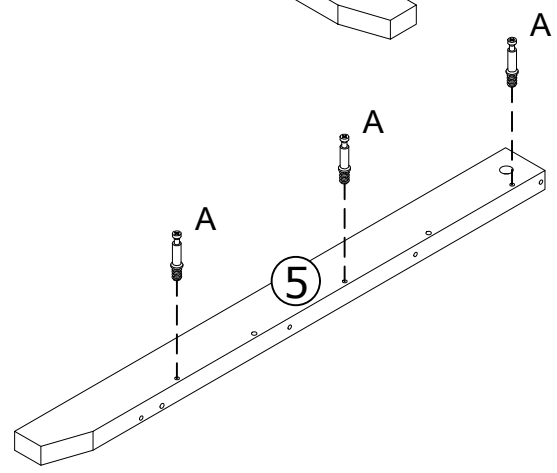
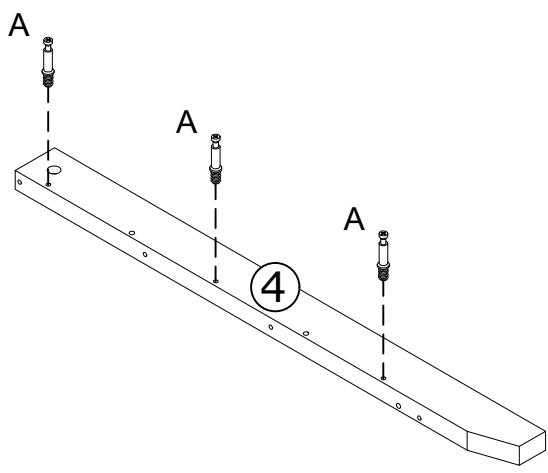
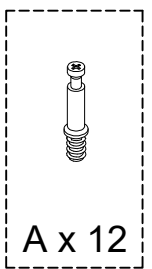
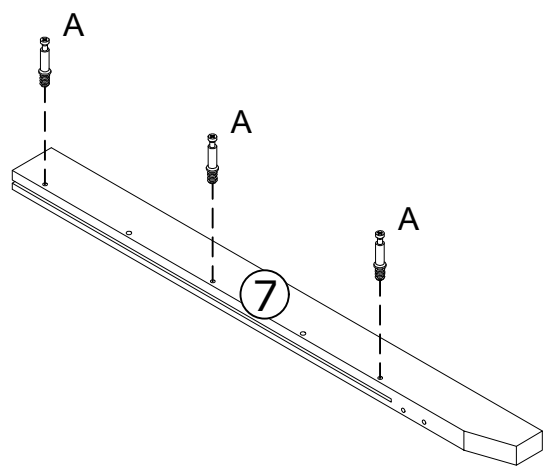
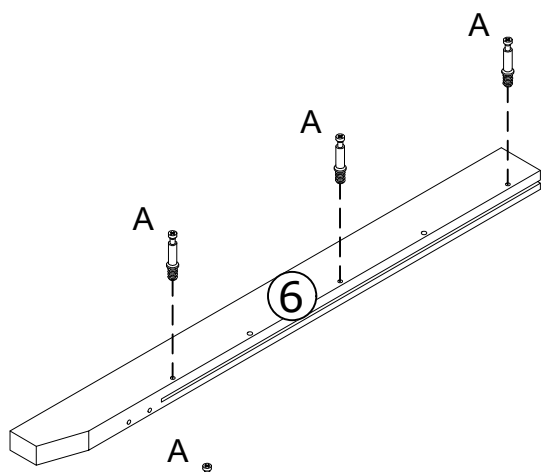


x9

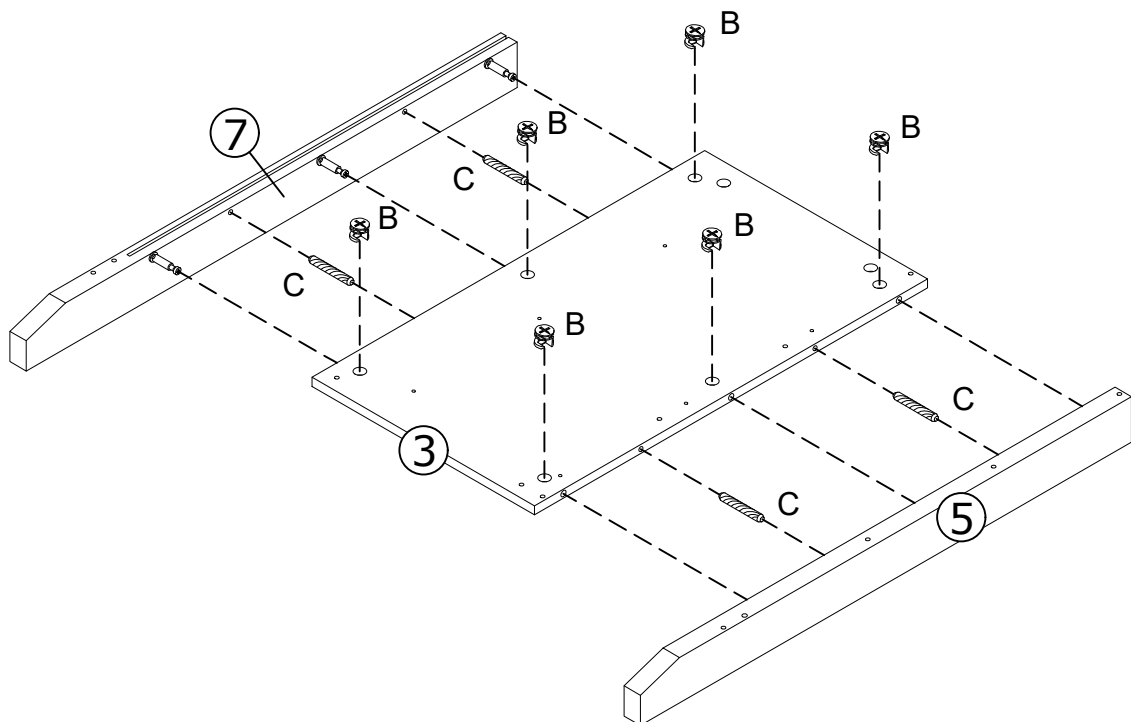
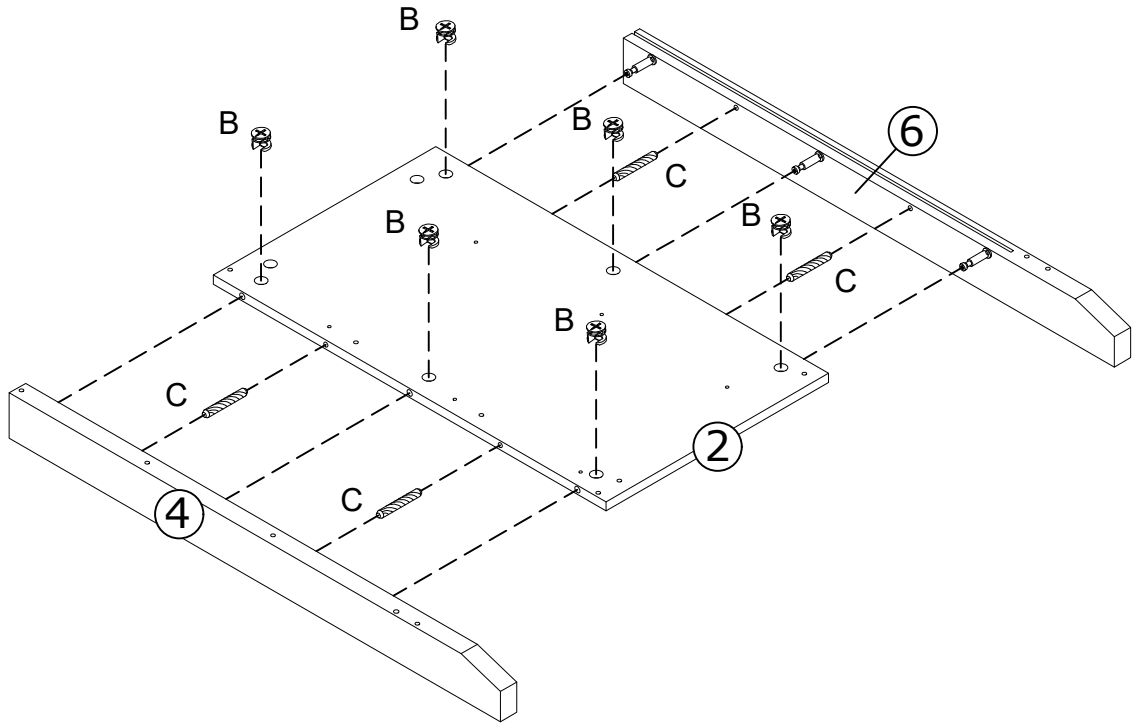
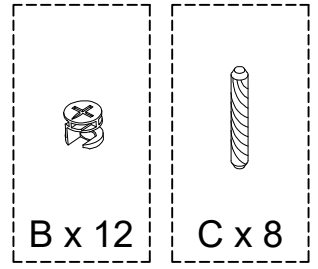
Step 4



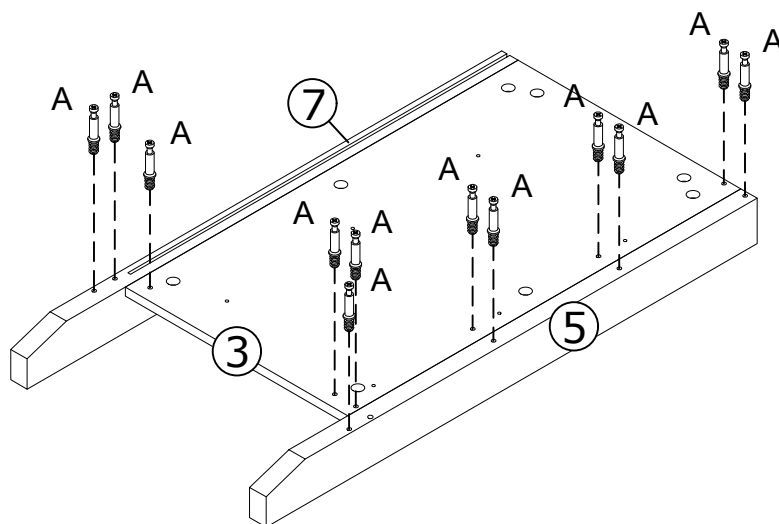
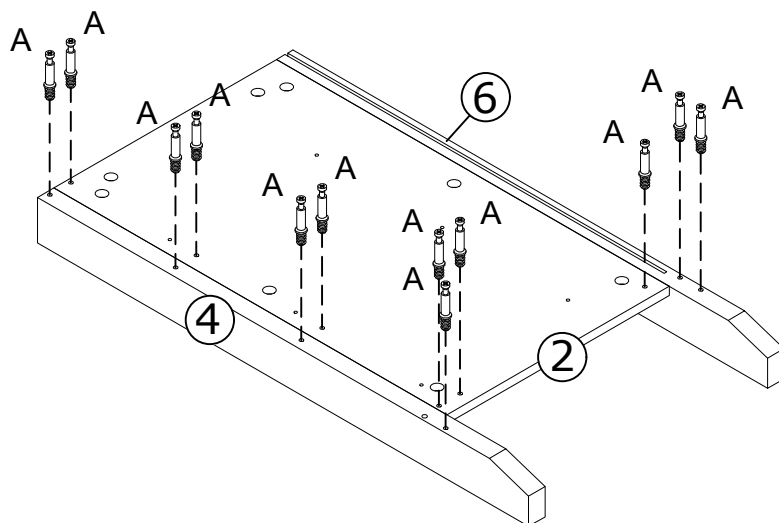
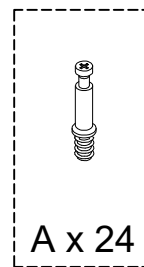
Step 5



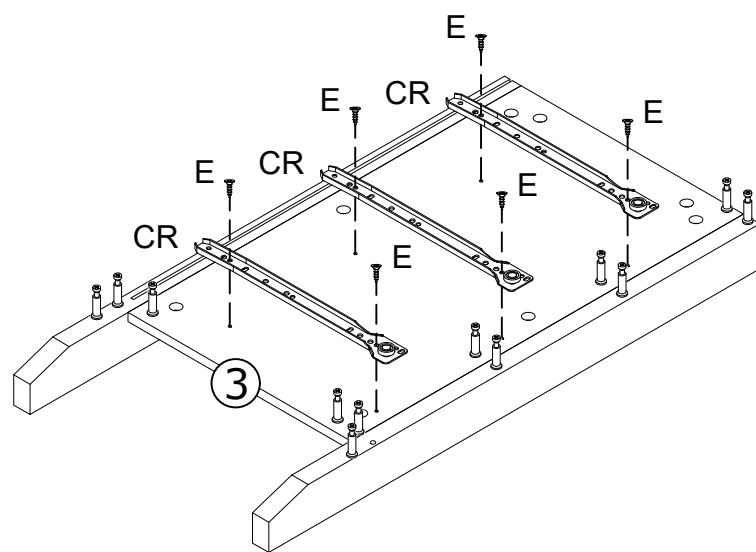
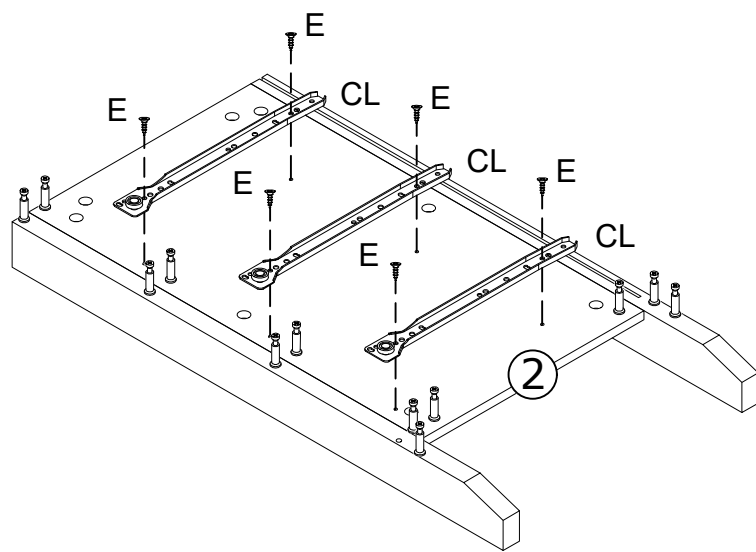
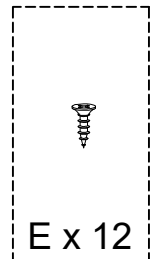
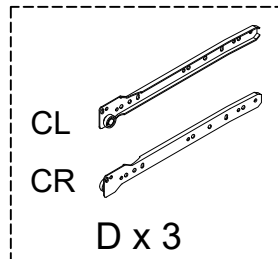
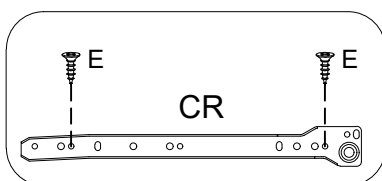
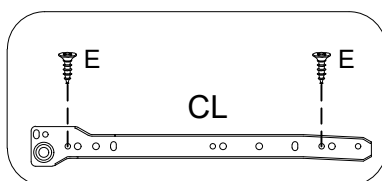
Step 6



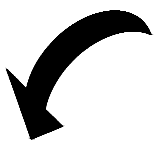
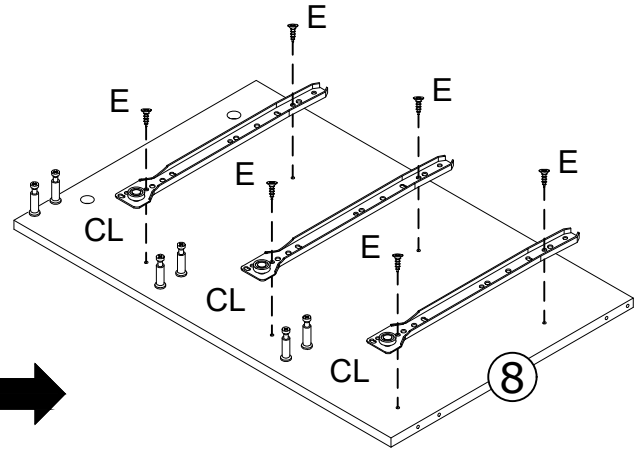
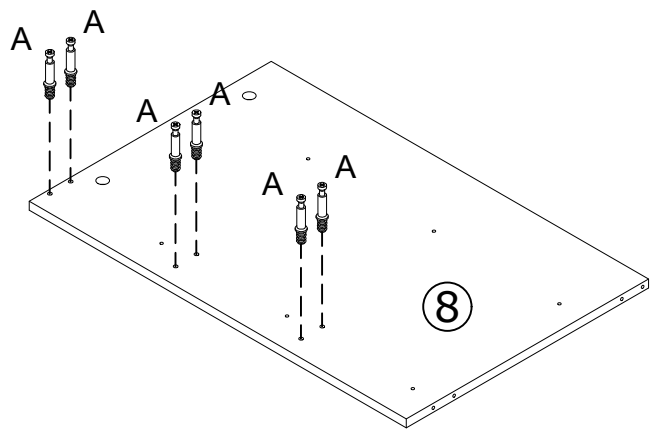
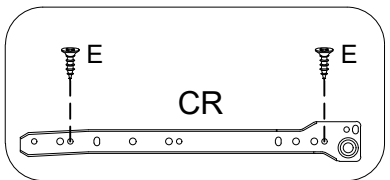
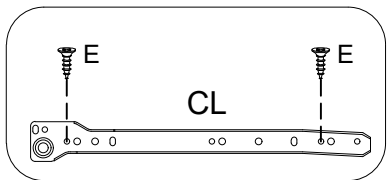
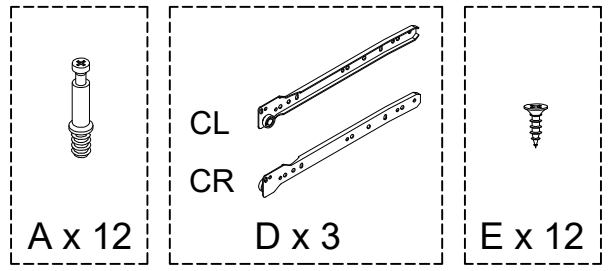
Step 7



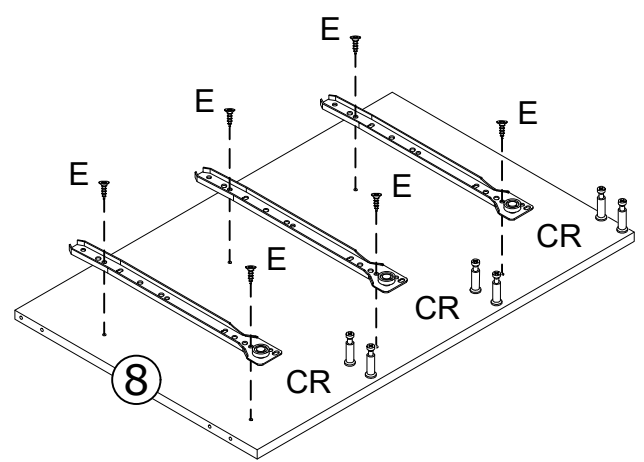
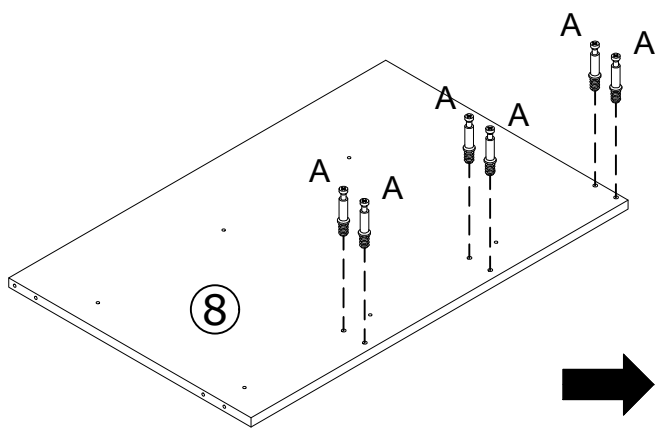
Step 8



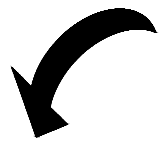
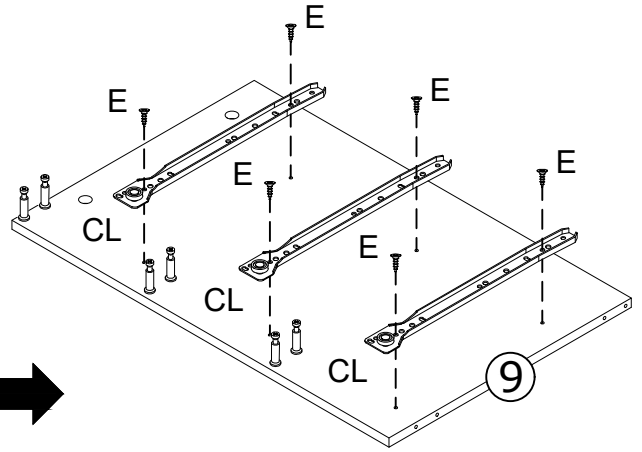
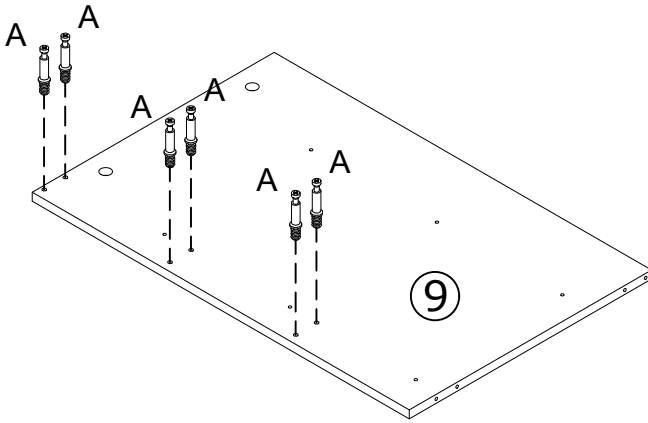
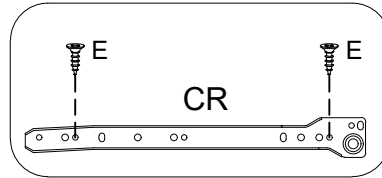
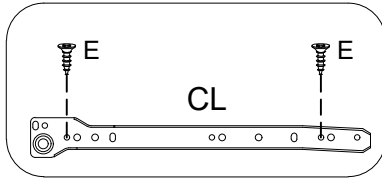
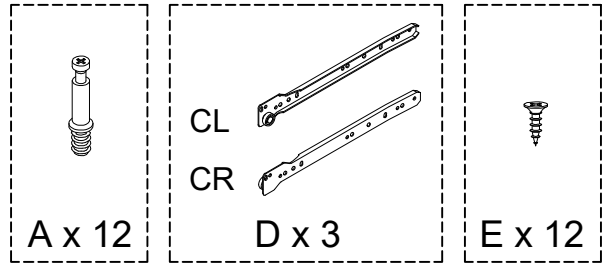
Step 9



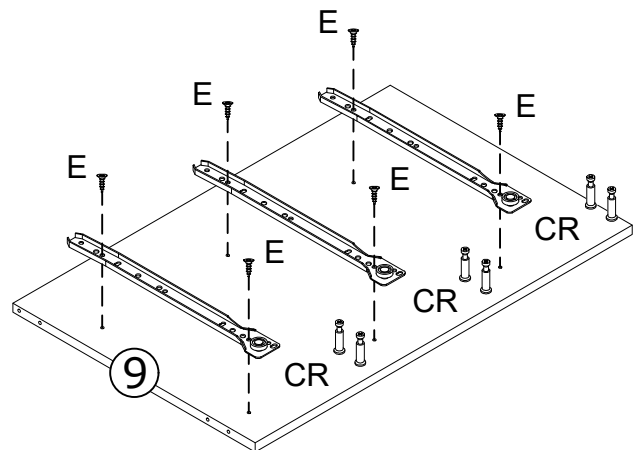
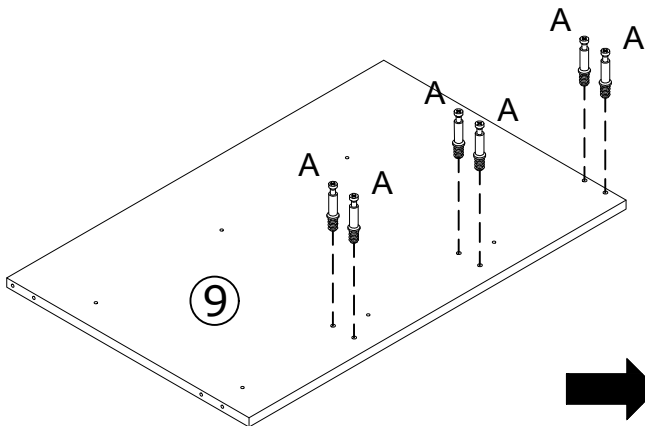
180°



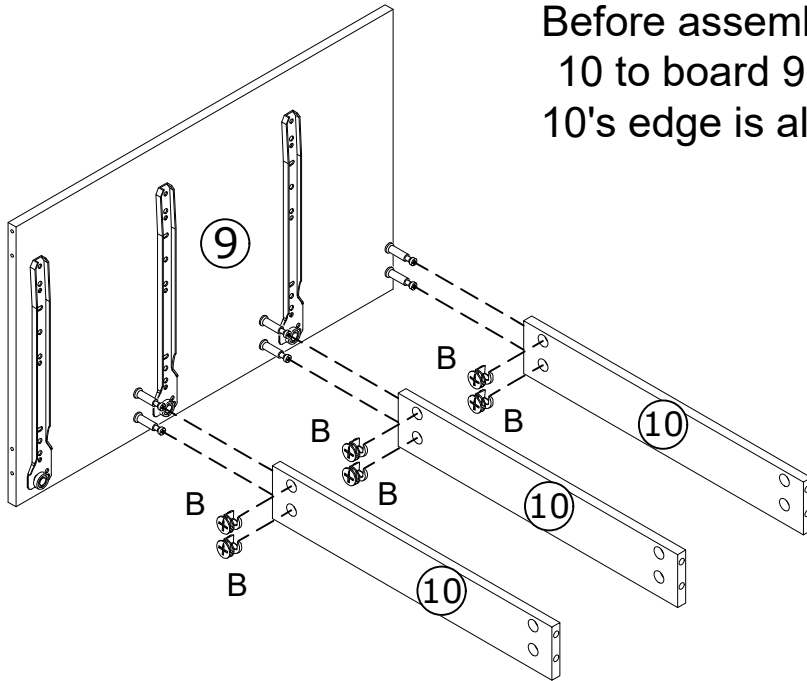
Step 10



180°



Step 11

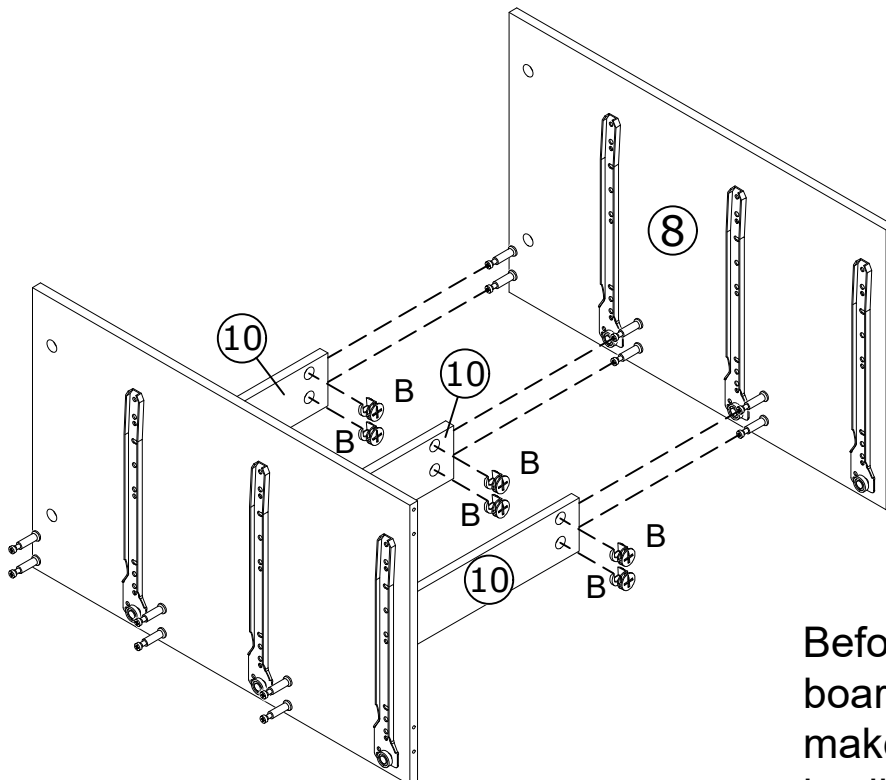


Before assembling board 10 to board 9, make sure 10's edge is aligned to 9's.



B x 6

Step 12

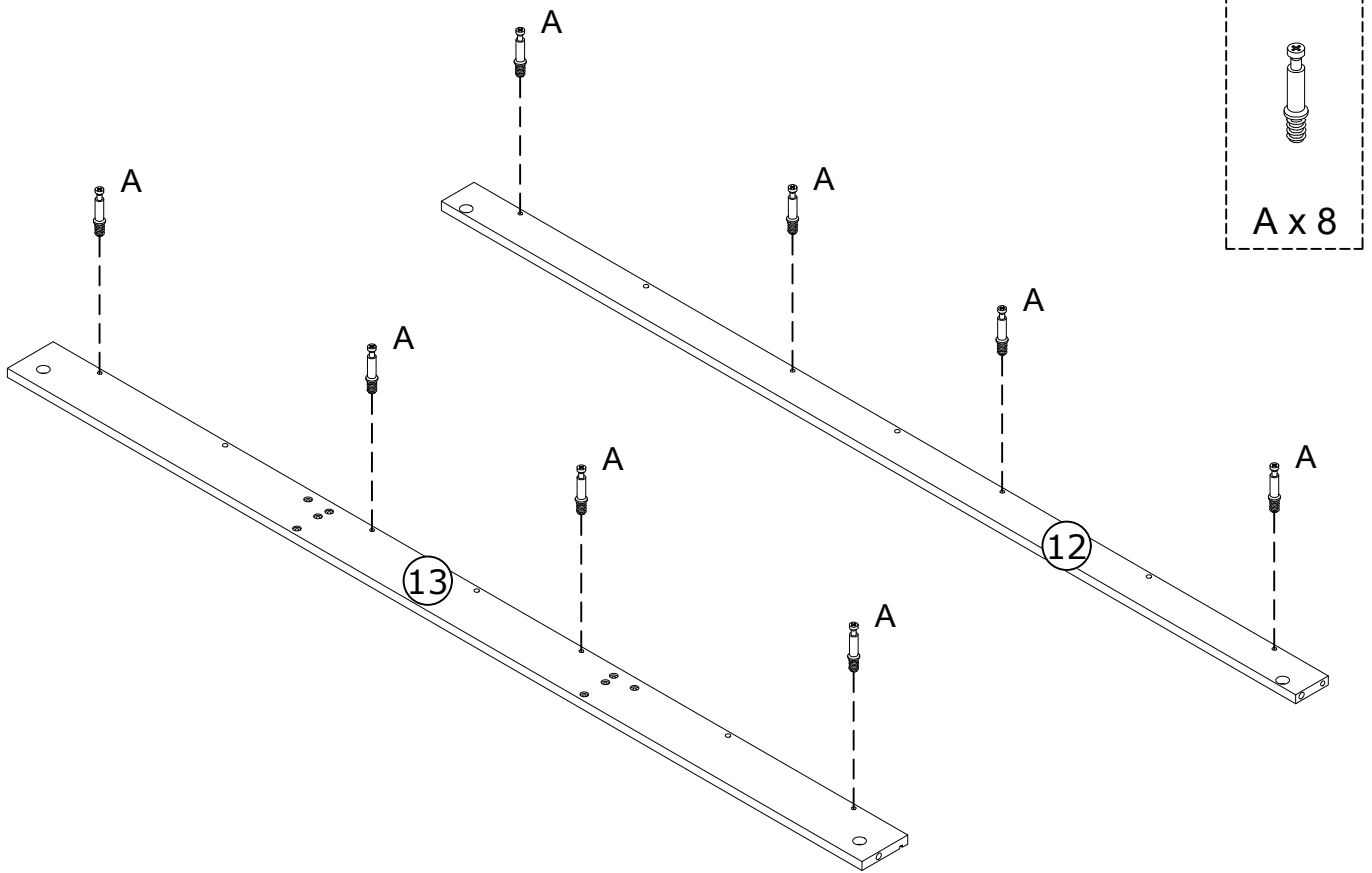


Before assembling board 10 to board 8, make sure 10's edge is aligned to 8's.

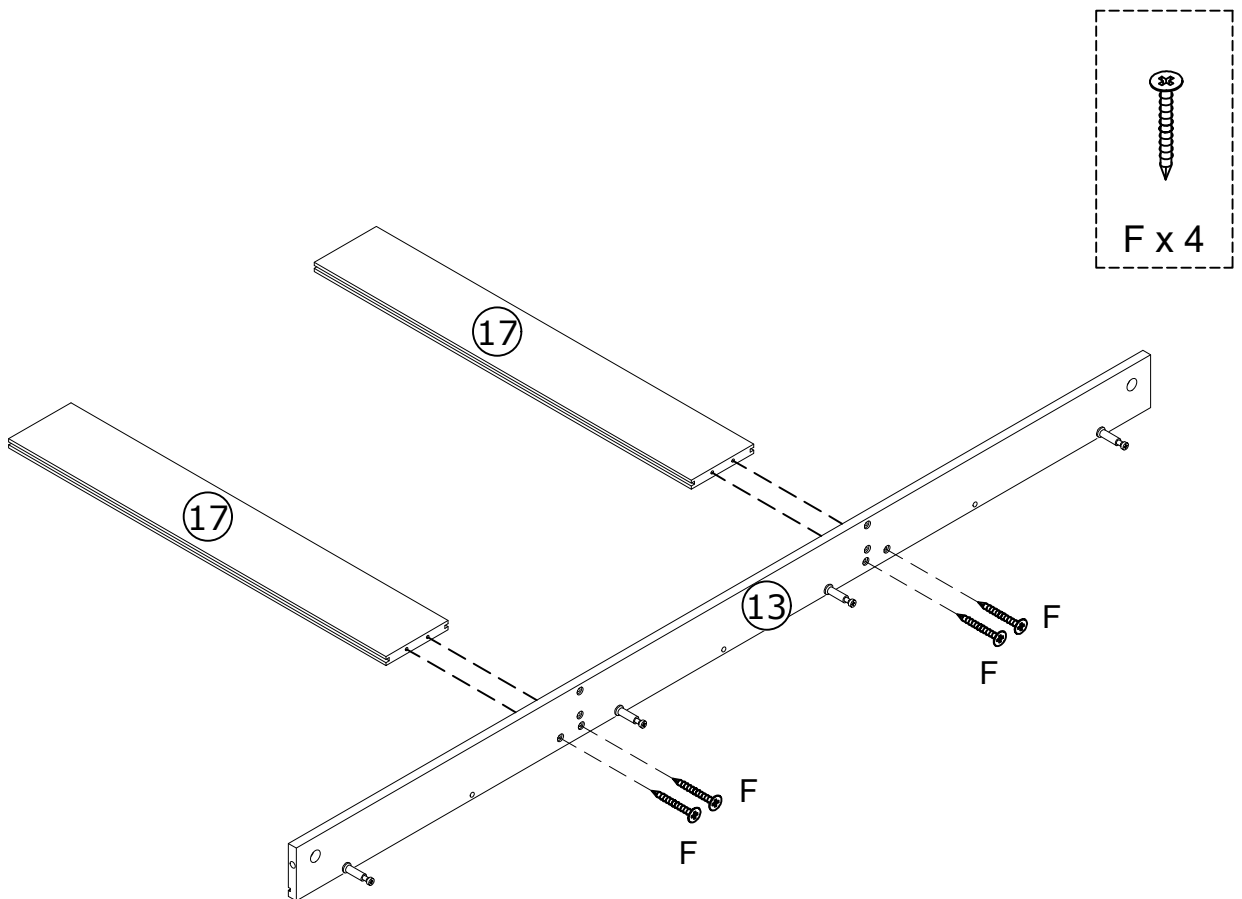


B x 6

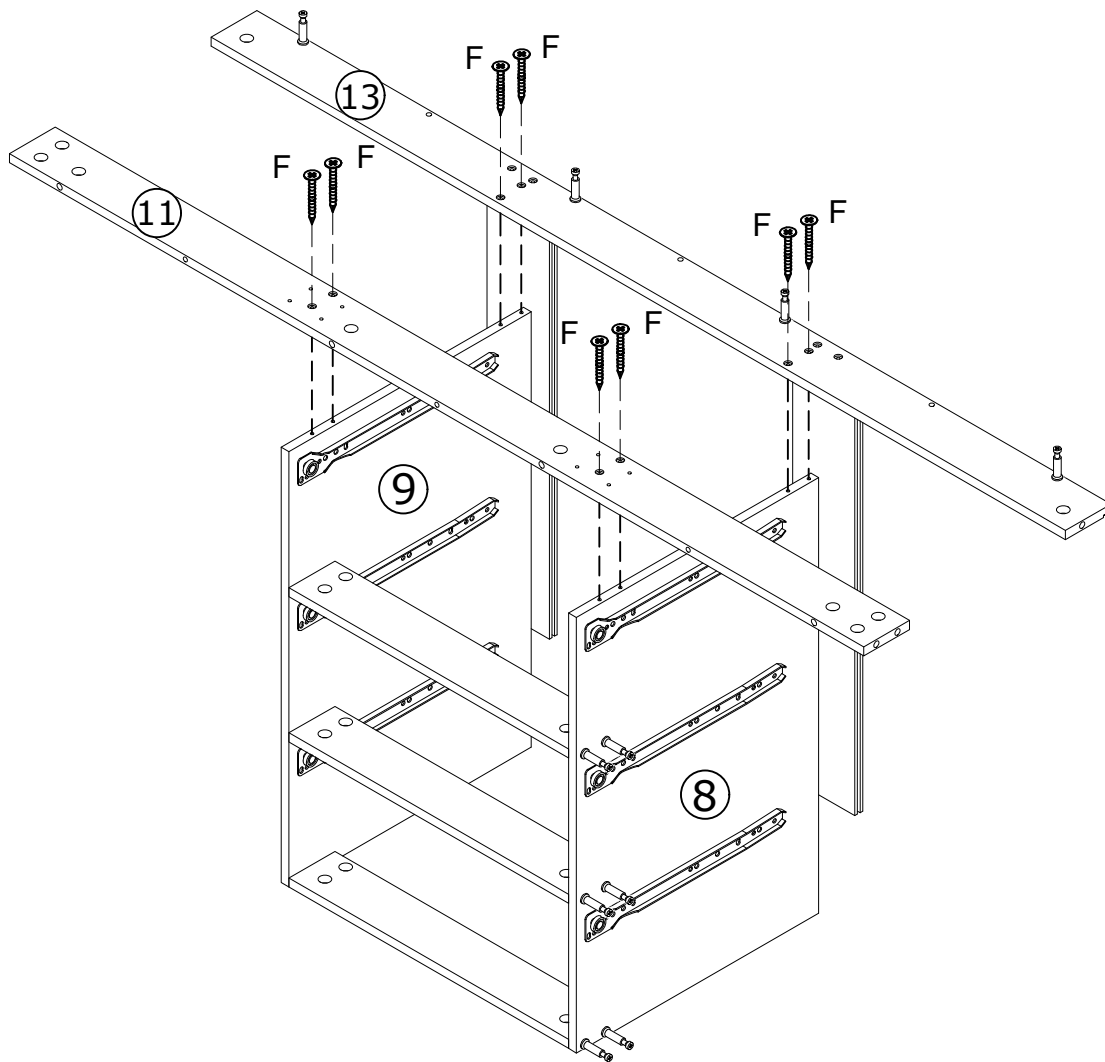
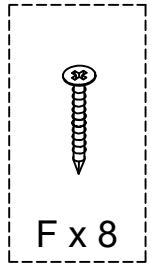
Step 13



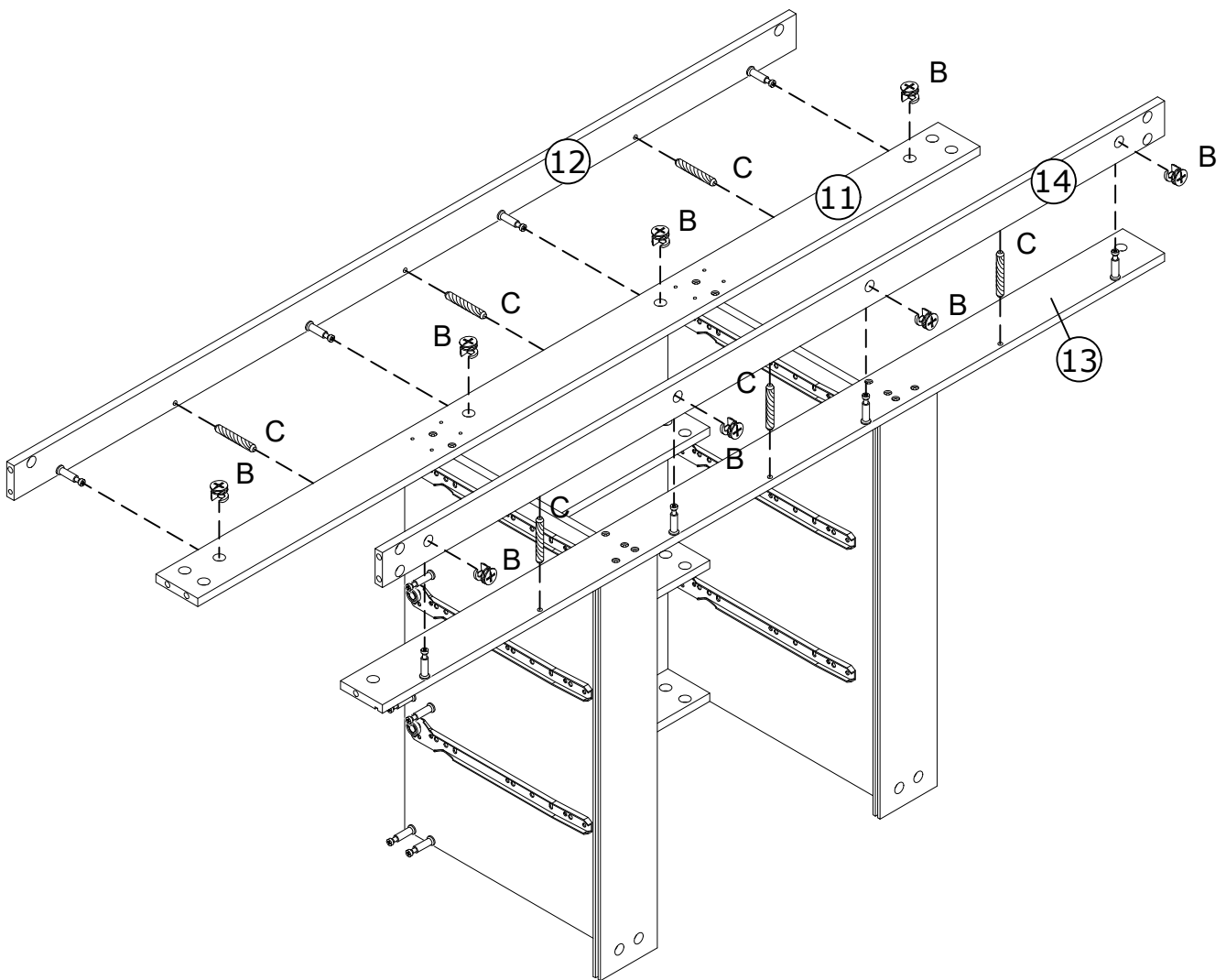
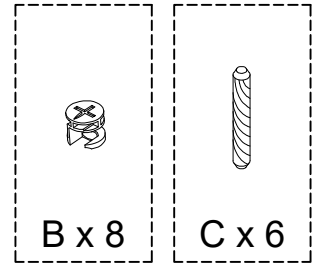
Step 14



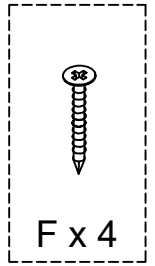
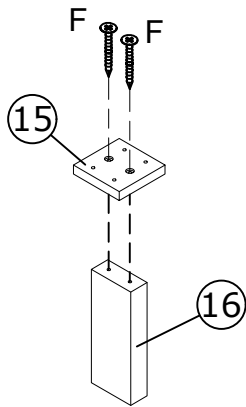
Step 15



Step 16

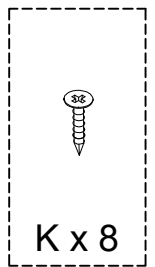
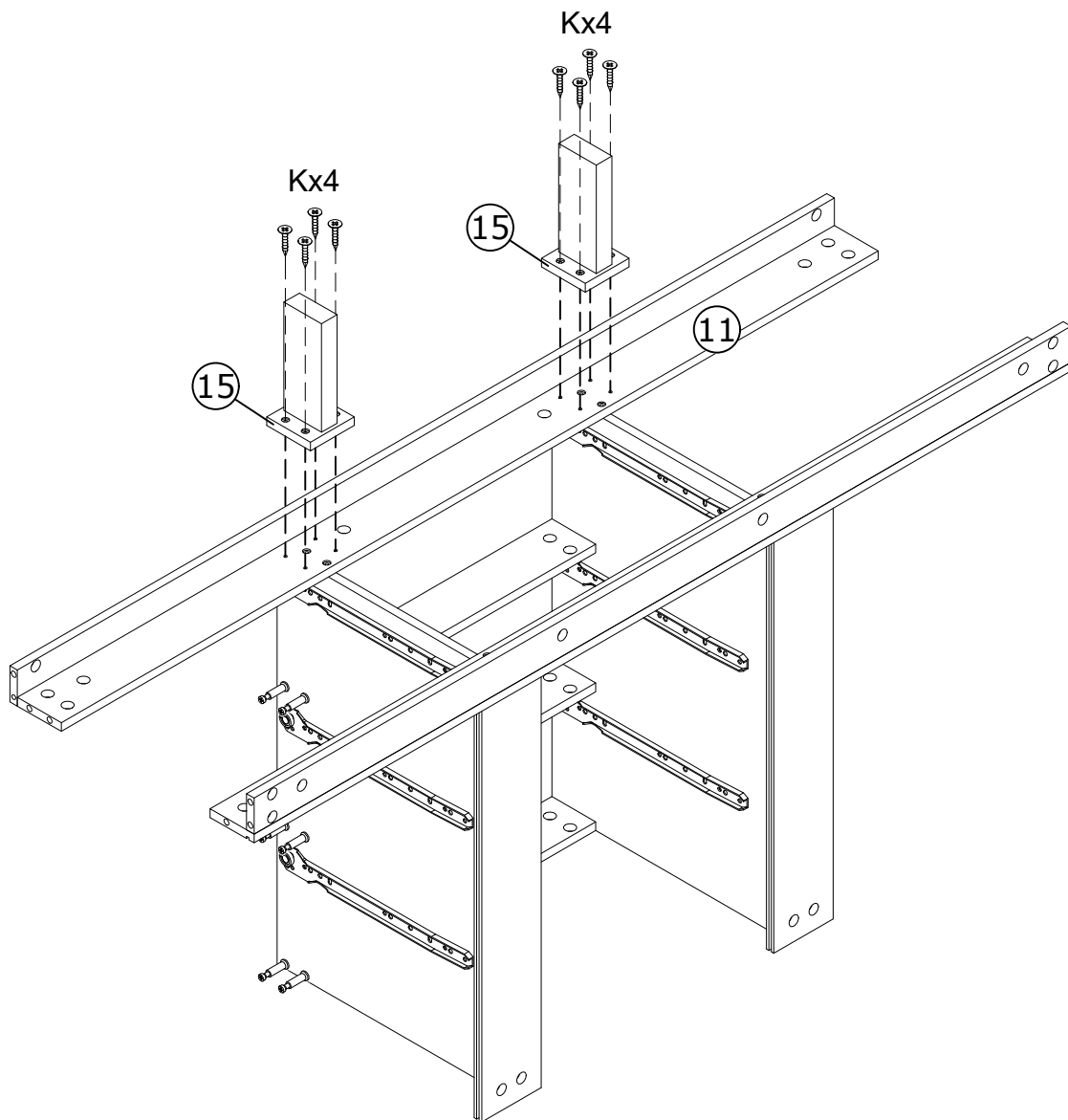


Step 17

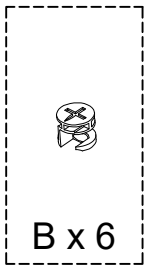


x2

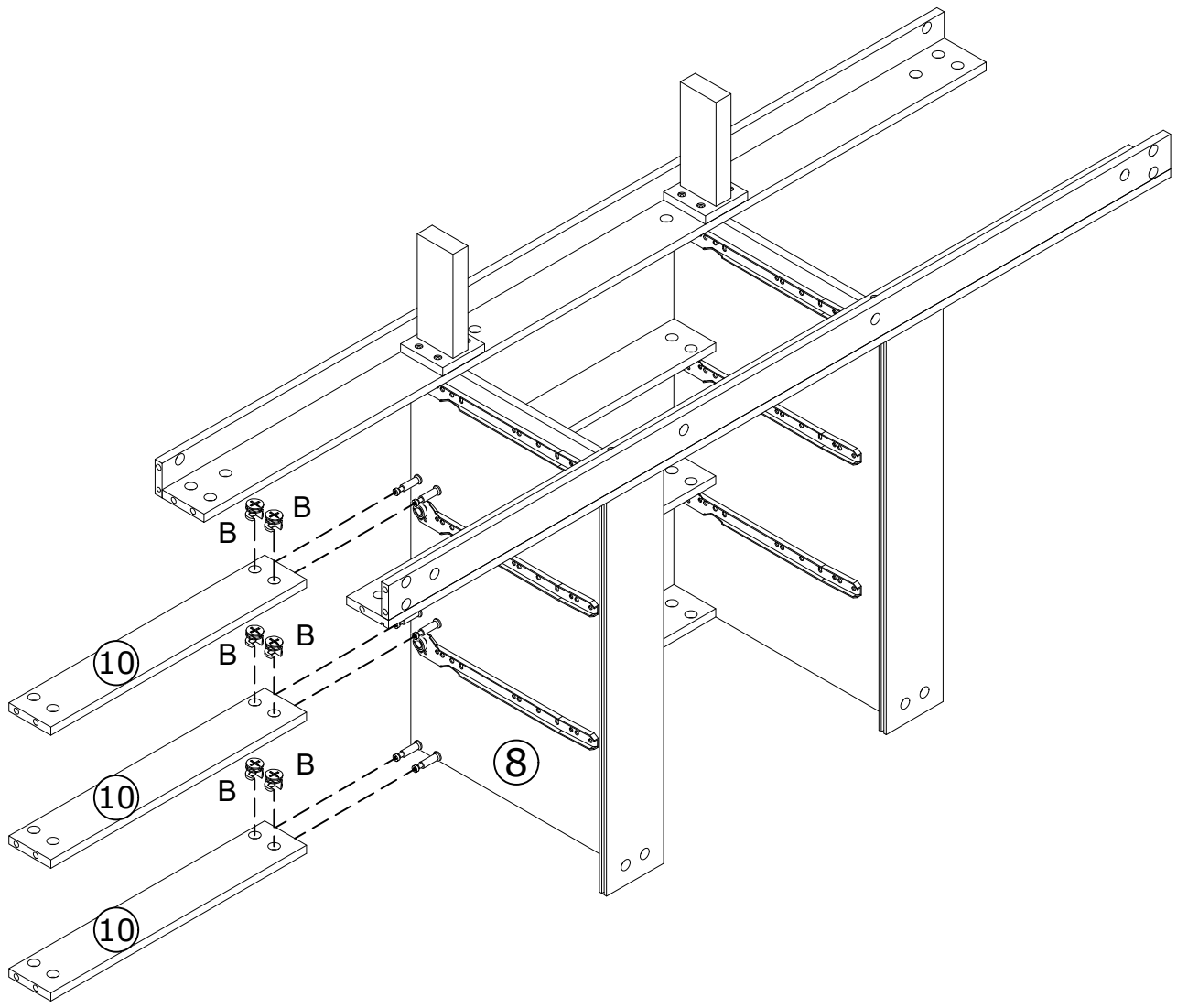
Step 18



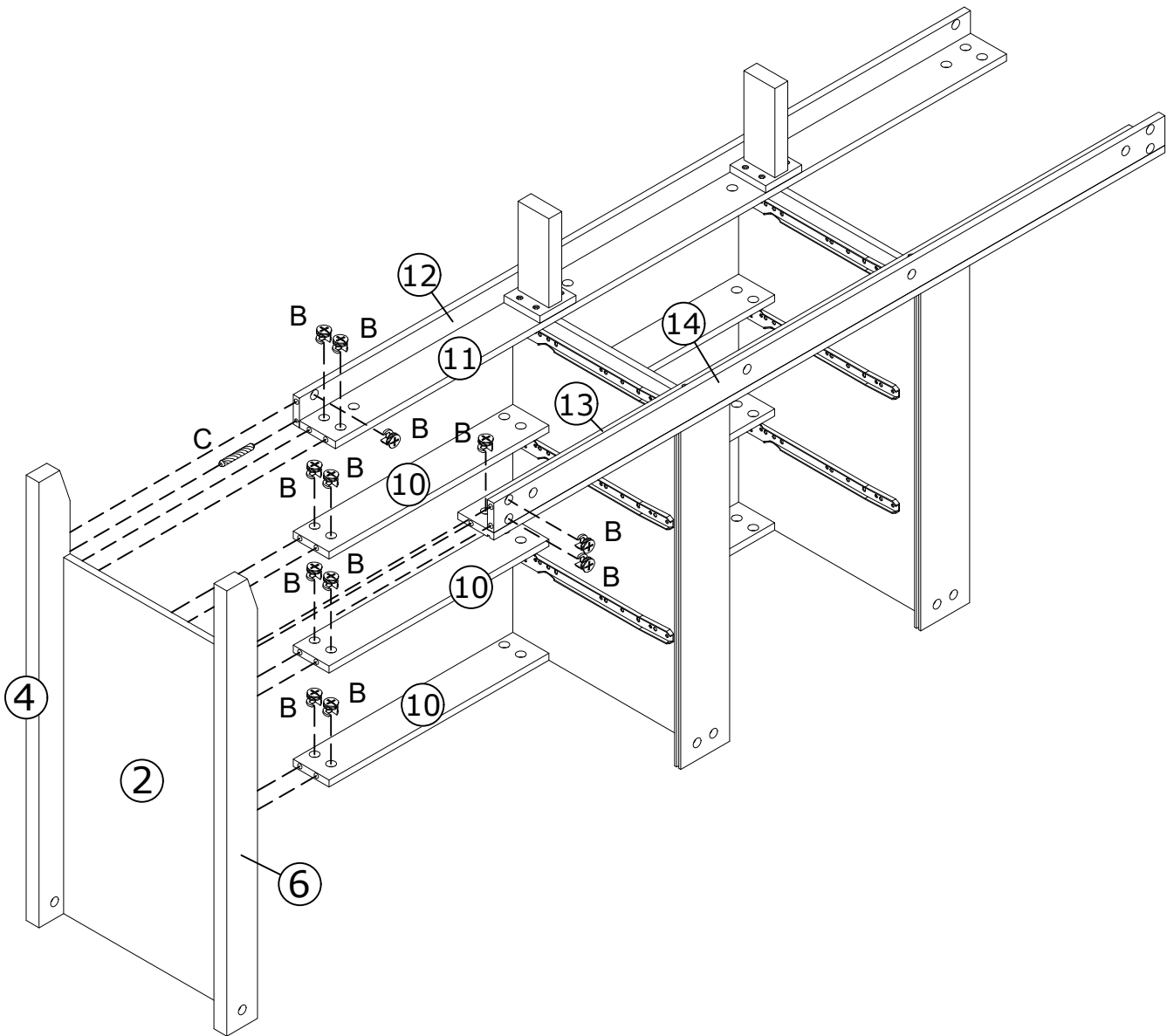
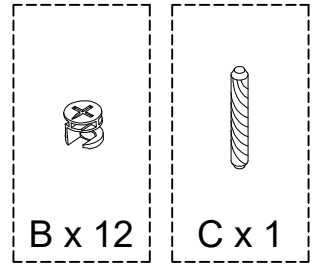
Step 19



Before assembling board 10 to board 8, make sure 10's edge is aligned to 8's.



Step 20

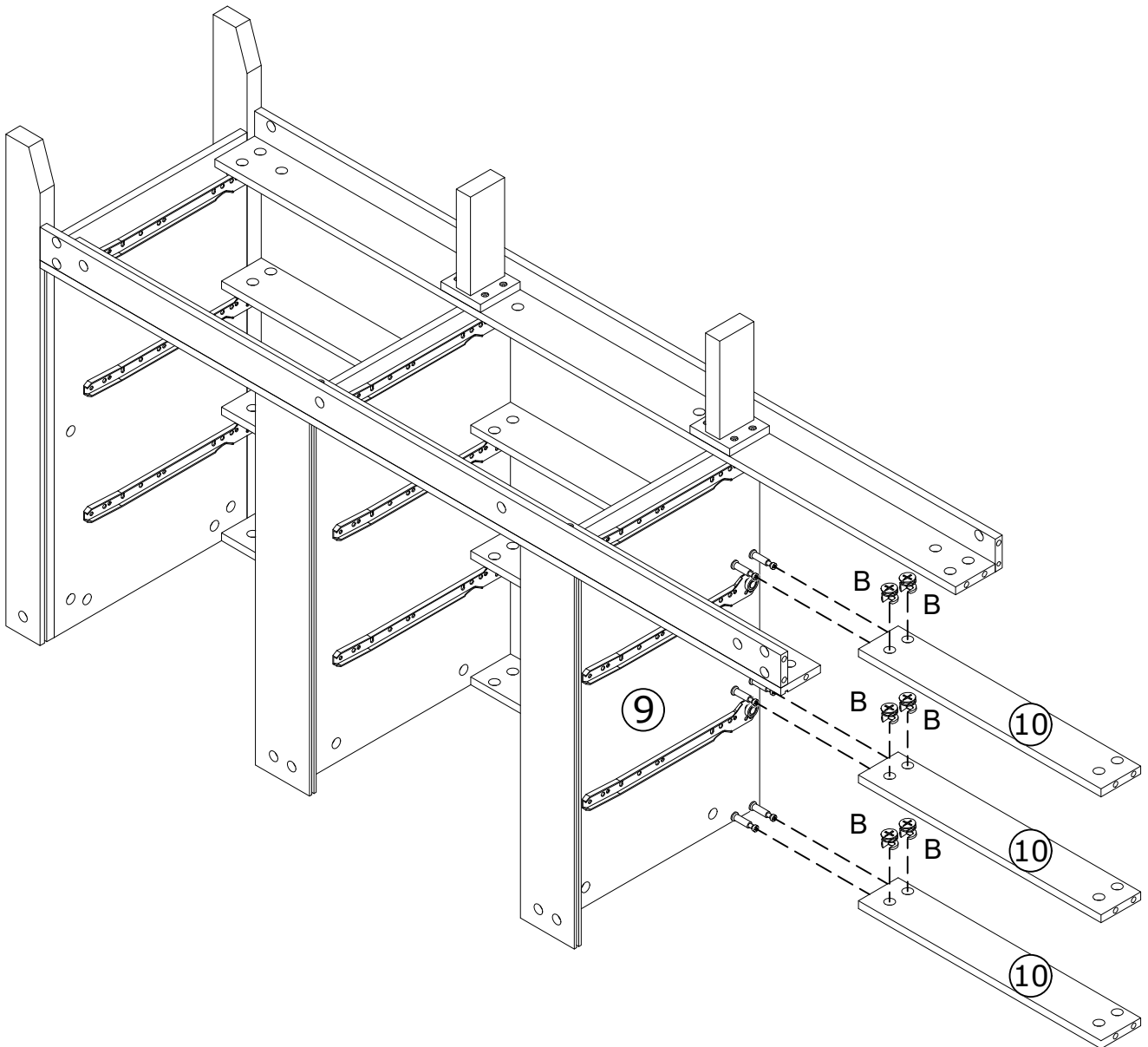


Step 21

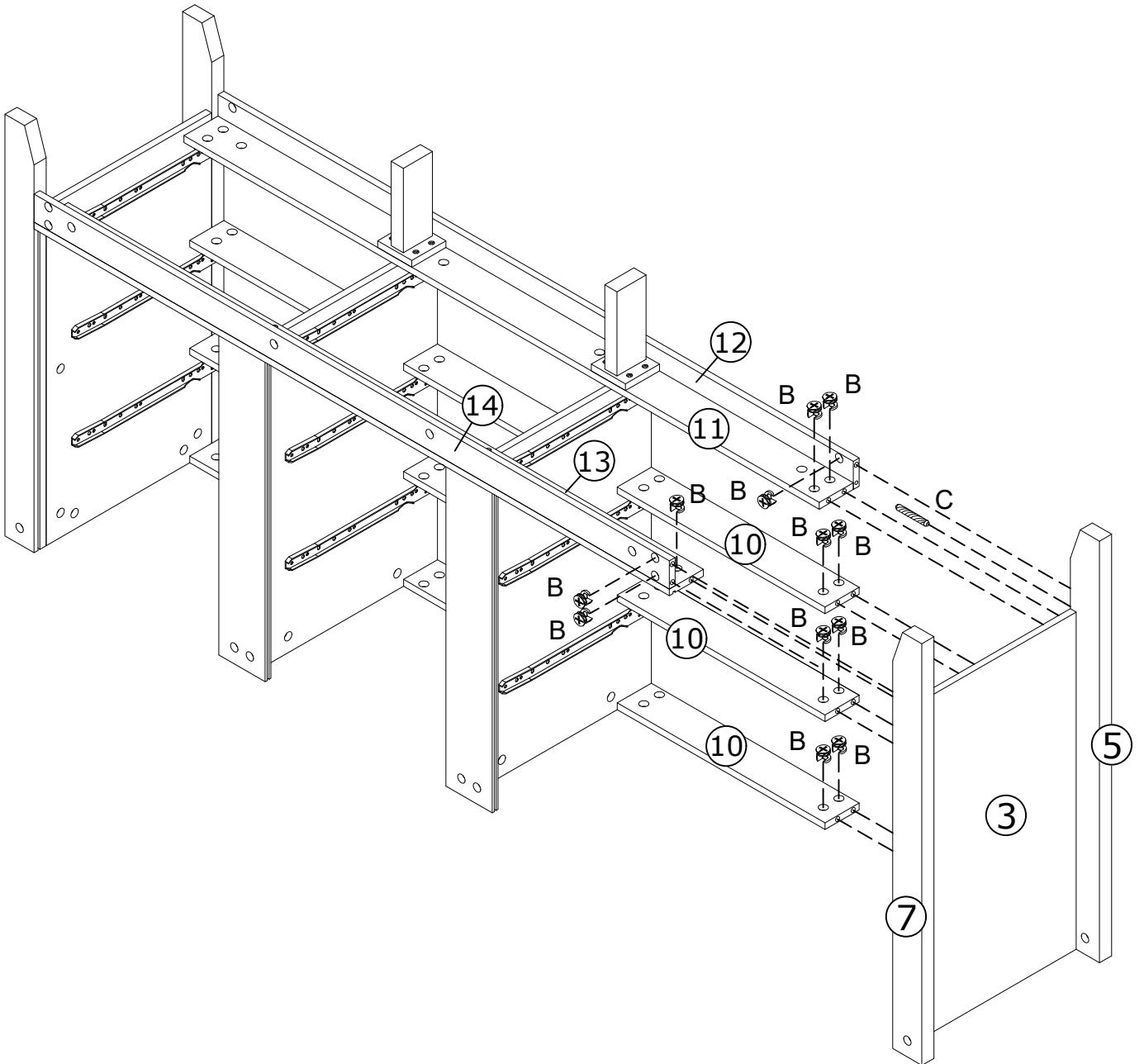
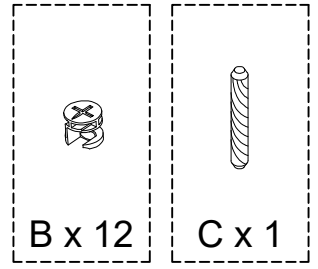
Before assembling board 10 to board 9, make sure 10's edge is aligned to 9's.



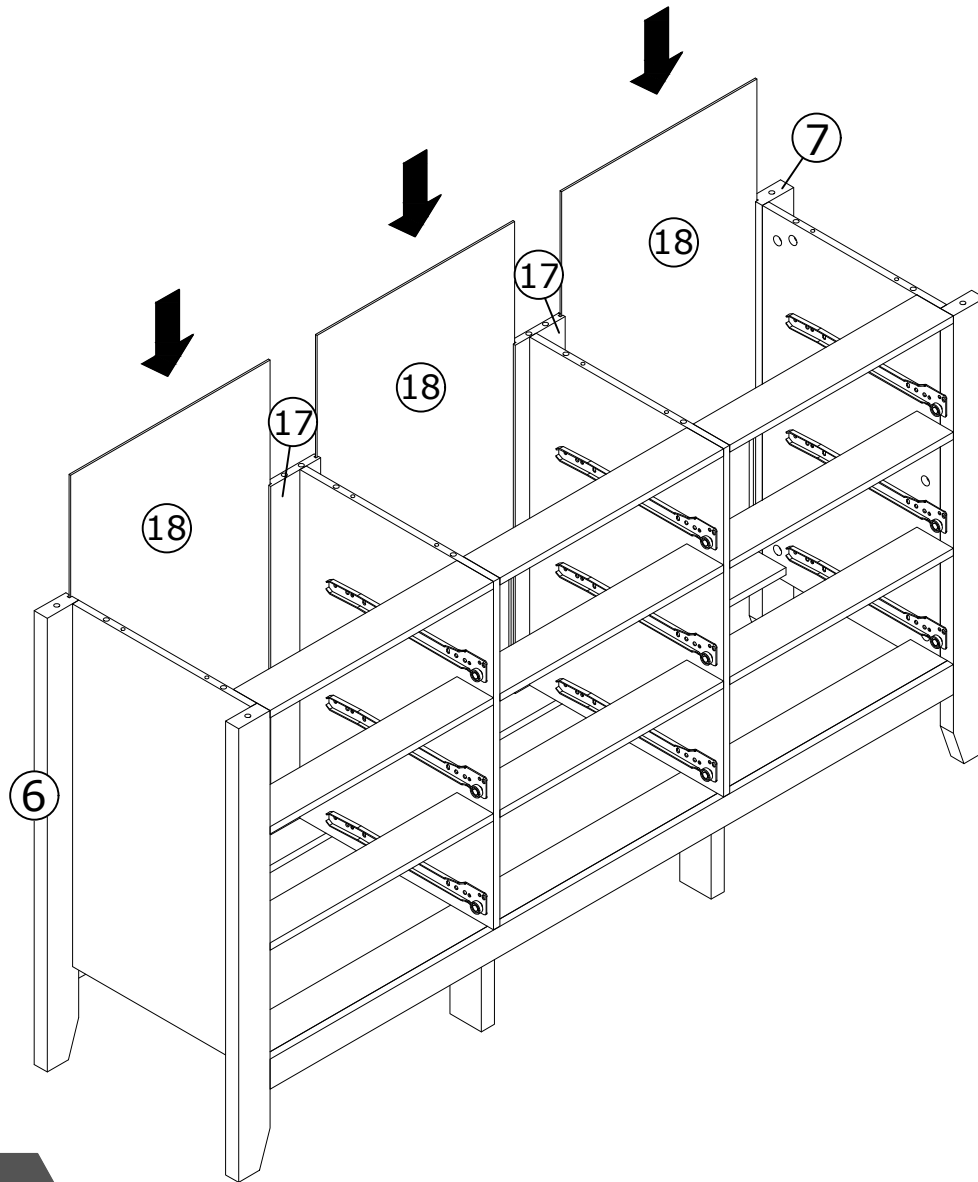
B x 6



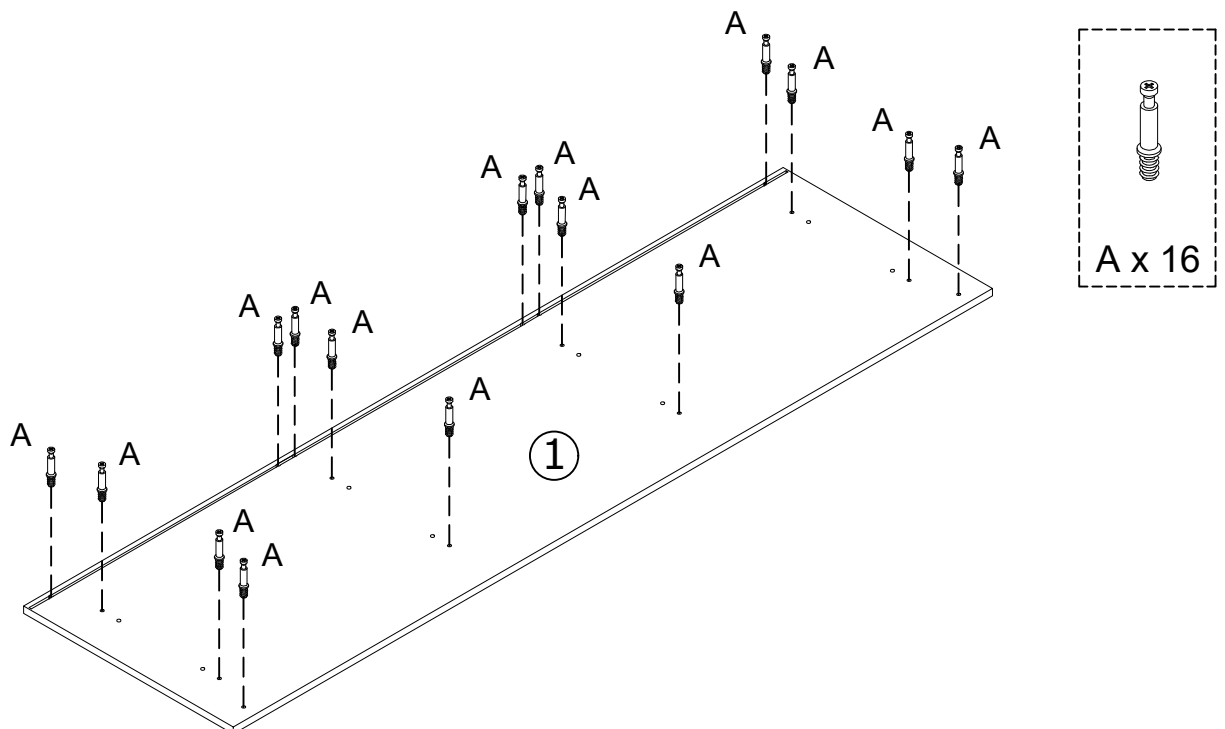
Step 22



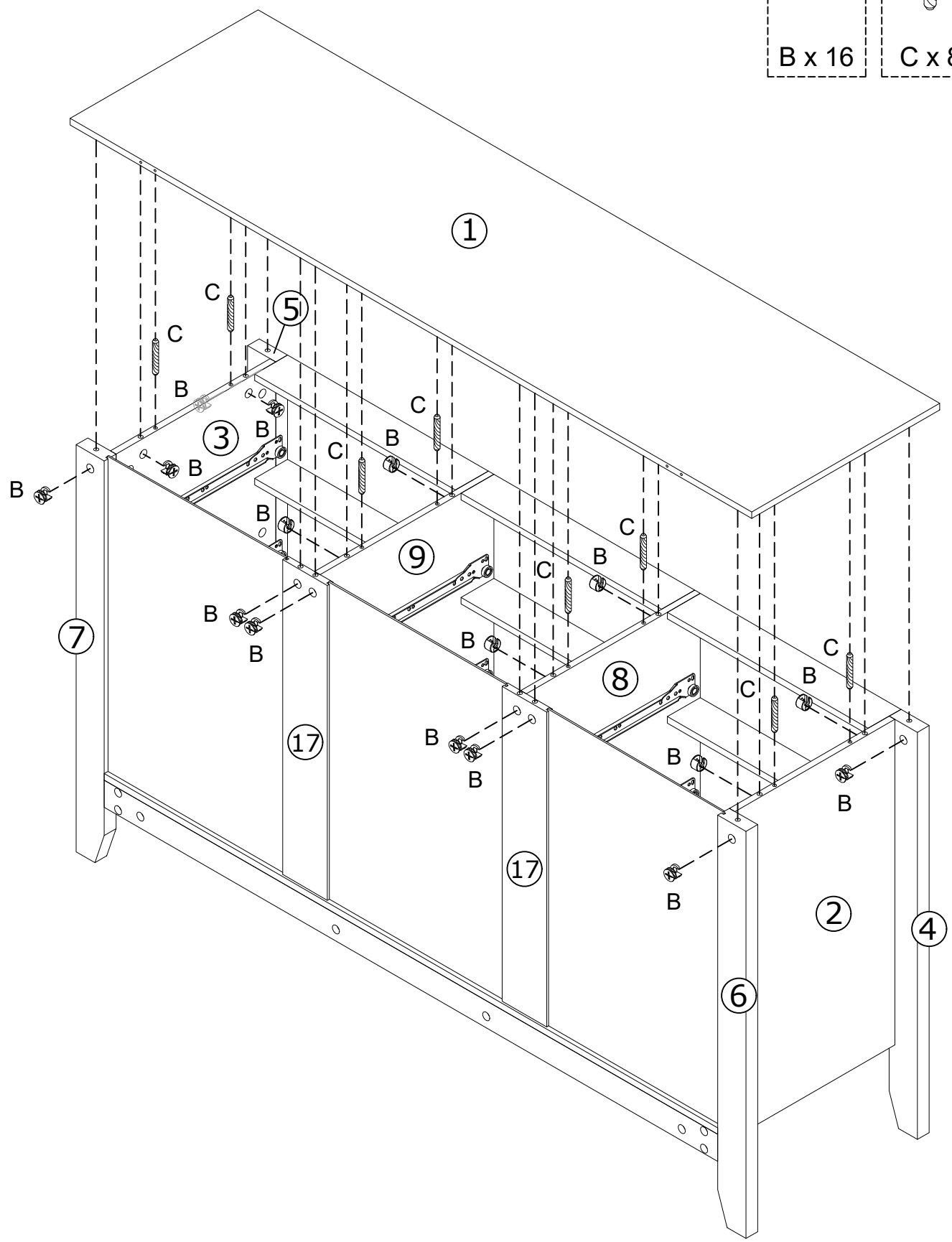
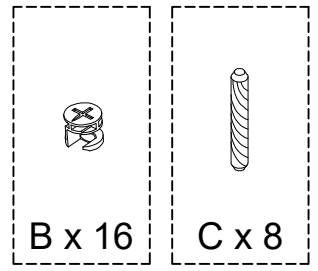
Step 23



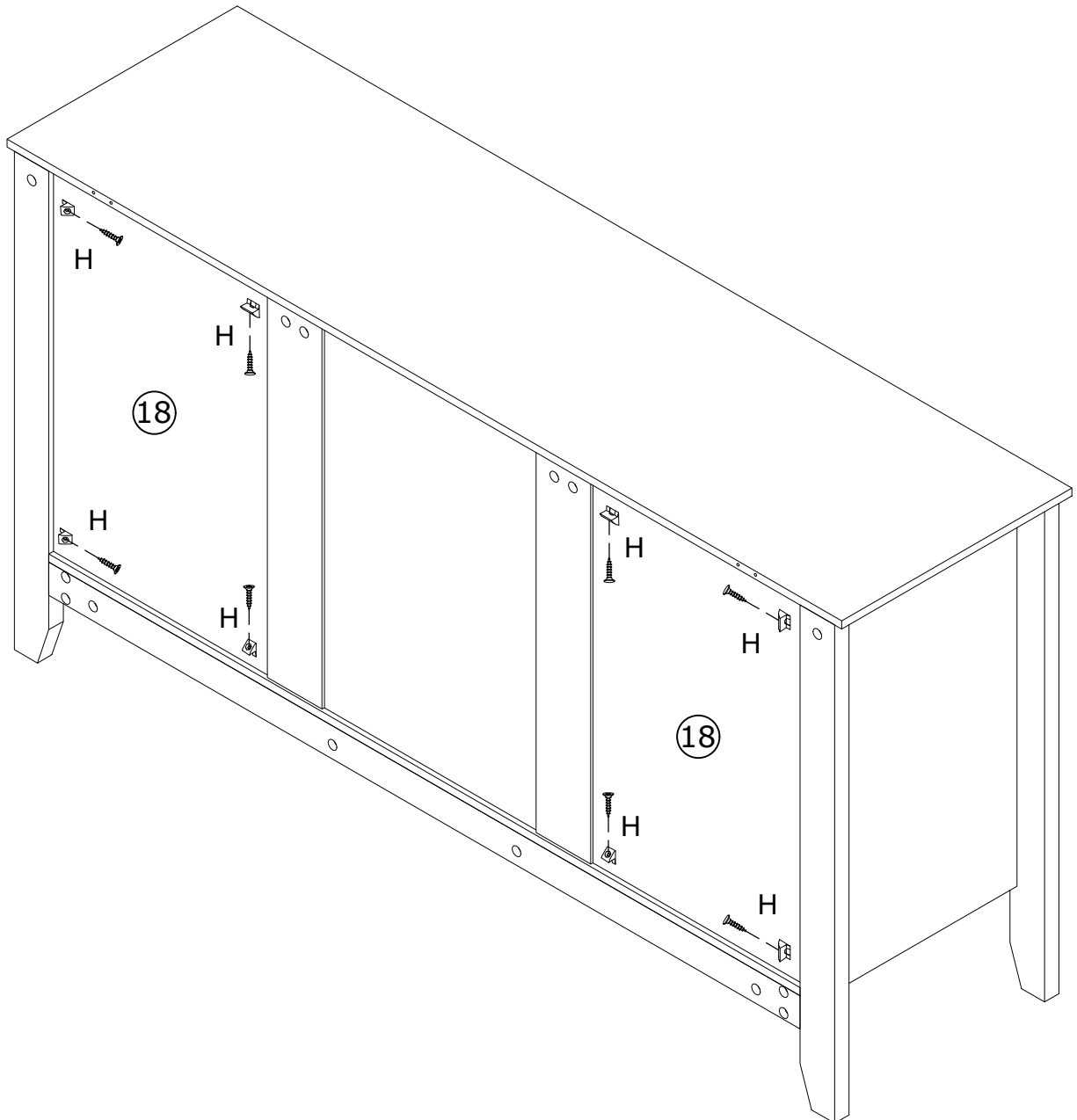
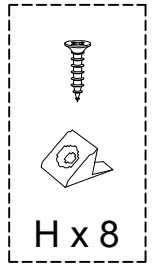
Step 24



Step 25



Step 26



Step 27

