

# VEVOR

**Affordable. Reliable. Home Improvement.**

## **LAUNDRY ROOM CABINETS**

**MODEL:XYFG-03**

Technical Support and E-Warranty Certificate

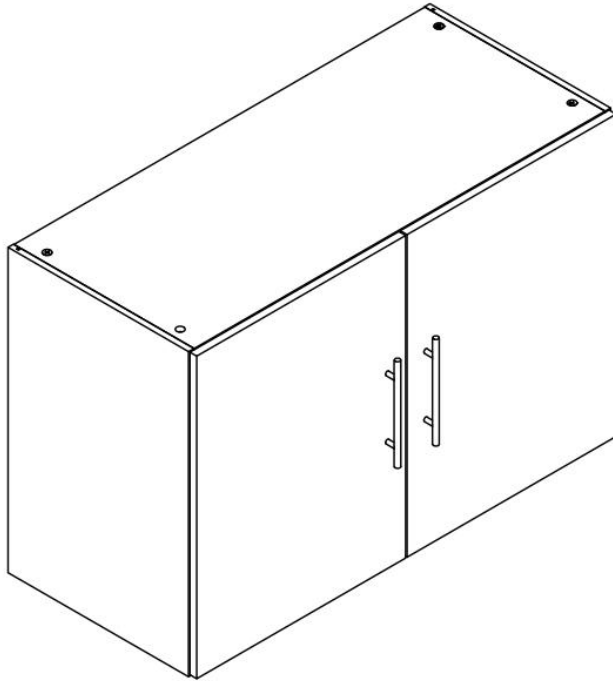
[www.vevor.com/support](http://www.vevor.com/support)

# VEVOR

Affordable. Reliable. Home Improvement.

## LAUNDRY ROOM CABINETS

**MODEL:XYFG-03**



This is the original instruction, please read all manual instructions carefully before operating. VEVOR reserves a clear interpretation of our user manual. The appearance of the product shall be subject to the product you received. Please forgive us that we won't inform you again if there are any technology or software updates on our product.

## SAFETY INSTRUCTIONS

### **WARNING:**

**Read this material before using this product. Failure to do so may result in serious injury.**

### **Assembly precautions**

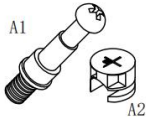



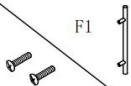


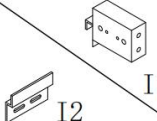





1. Assemble only according to these instructions. Improper assembly may create hazards.
2. Wear ANSI-approved safety goggles and heavy-duty work gloves during assembly.
3. Keep the assembly area clean and well-lit.
4. Keep bystanders out of the area during assembly.
5. Do not assemble if tired or when under the influence of alcohol, drugs or medication.
6. The product capabilities apply to properly and completely assembled products only.
7. Assemble on a flat, level, hard and smooth surface capable of safely supporting the Laundry Room Cabinets.
8. If possible, you can use power tools to make assembly easier.
9. For additional information regarding the parts listed in the following pages, please refer to the Assembly Diagram of this manual. Unwrap and separate all parts in a clean work area.
10. It is recommended that the Laundry Room Cabinets be installed on a load-bearing wall.

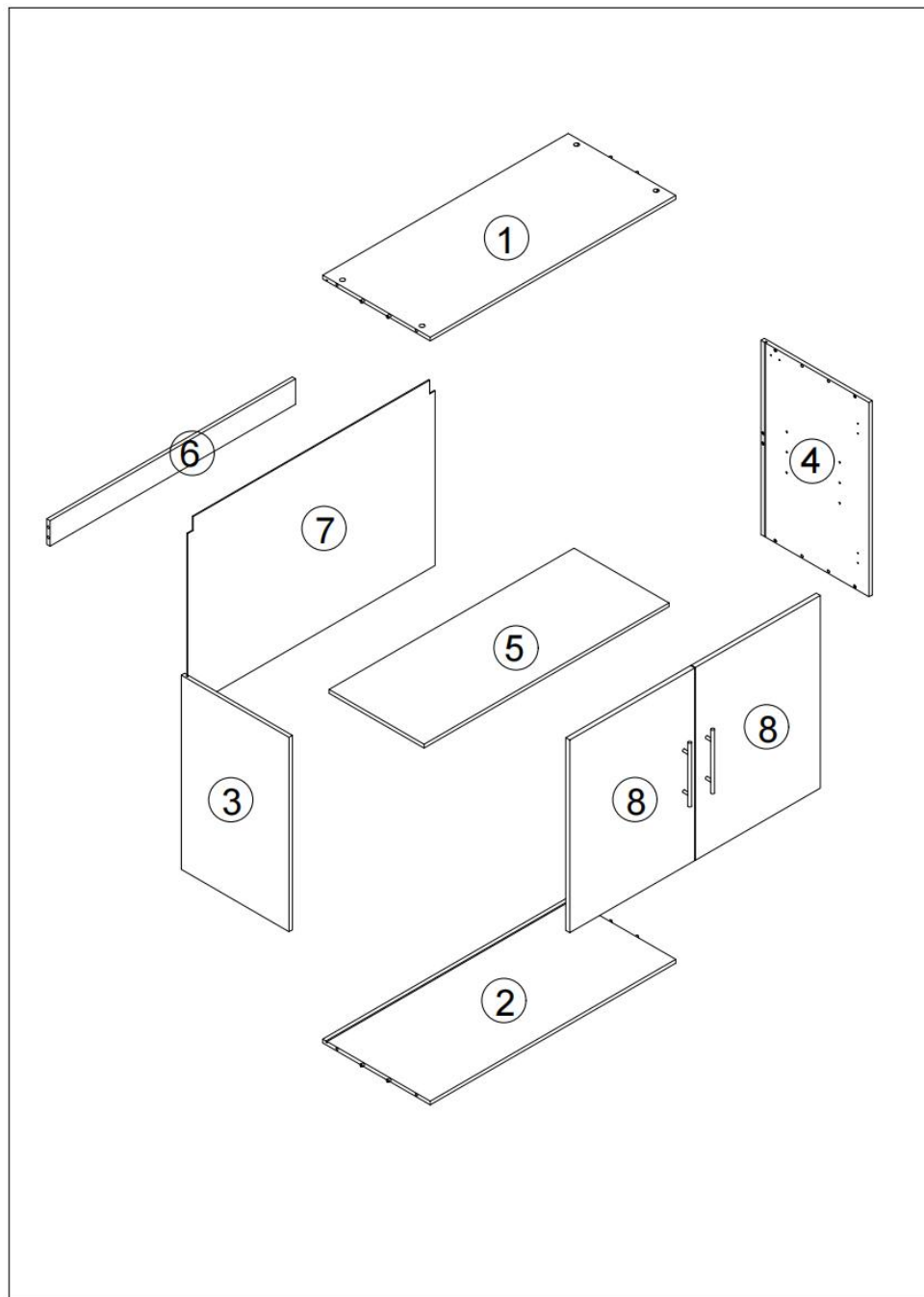
### **Use precautions**



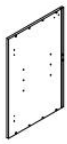



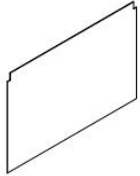

1. Do not exceed specified weight capacities.
2. Use only on a flat, level, hard, and smooth surface that can safely support a fully loaded Laundry Room Cabinets.
3. Use as intended only.
4. Inspect before every use; do not use if parts are loose or damaged.
5. If there is a gap in the cabinet door, it can be eliminated by adjusting the hinge, refer to step 12 of the assembly instructions.

### **SAVE THIS MANUAL**

## PARTS LIST

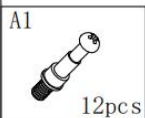
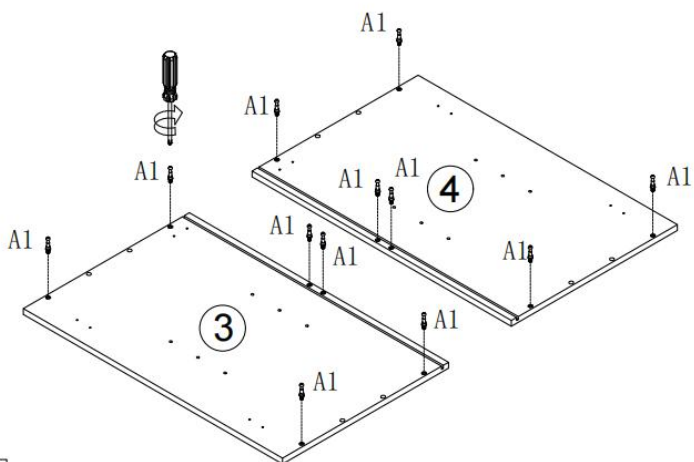
 <p>A1 A2</p>	 <p>Φ 6*30</p>	 <p>C</p>	 <p>E</p>	 <p>F1 Φ 4*18 F2</p>
A × 12	B × 8	C × 4	E × 4	F × 2
 <p>Φ 3.5*12</p>	 <p>Φ 3.5*30</p>	 <p>I1 I2</p>	 <p>J</p>	 <p>K</p>
G × 16	H × 4	I × 2	J × 4	K × 1
 <p>L</p>				
L × 12				
Spare Parts				
 <p>A1 A2</p>	 <p>Φ 6*30</p>			
A × 2	B × 2			



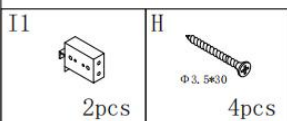
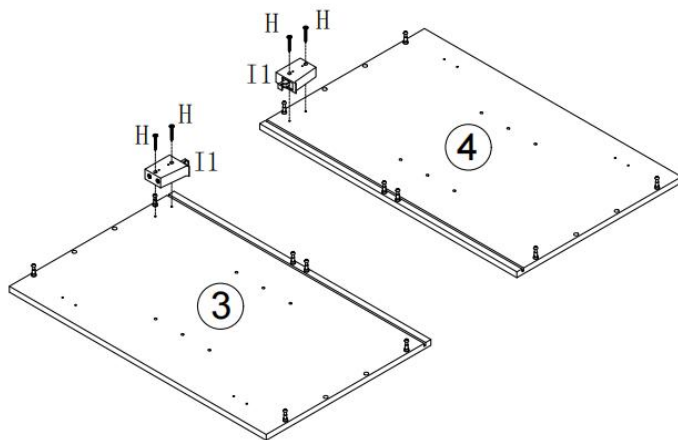
<p>①</p>  <p>890x390x12      1 PC</p>	<p>②</p>  <p>890x390x12      1 PC</p>	<p>③</p>  <p>610x391x12      1 PC</p>
<p>④</p>  <p>610x391x12      1 PC</p>	<p>⑤</p>  <p>888x344x12      1 PC</p>	<p>⑥</p>  <p>890x80x12      1 PC</p>
<p>⑦</p>  <p>897x592x3      2 PCS</p>	<p>⑧</p>  <p>605x452.5x15      2 PCS</p>	

# ASSEMBLY STEP

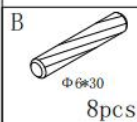
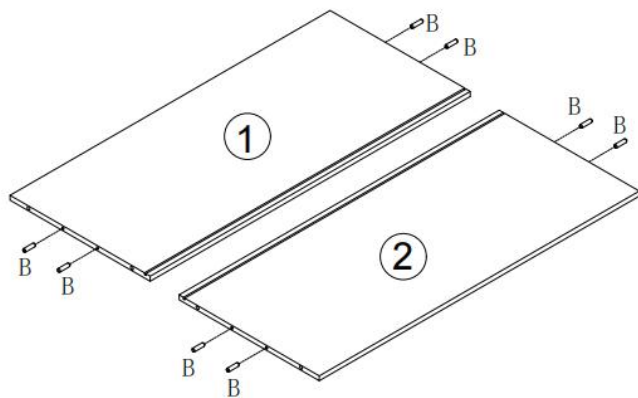
# 1



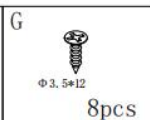
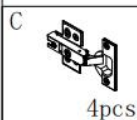
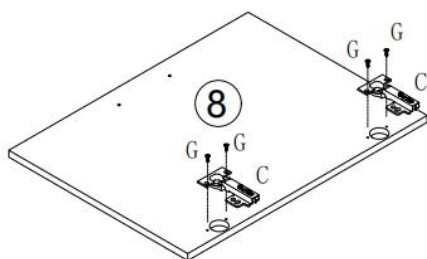
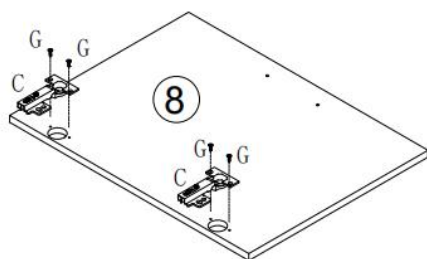
# 2



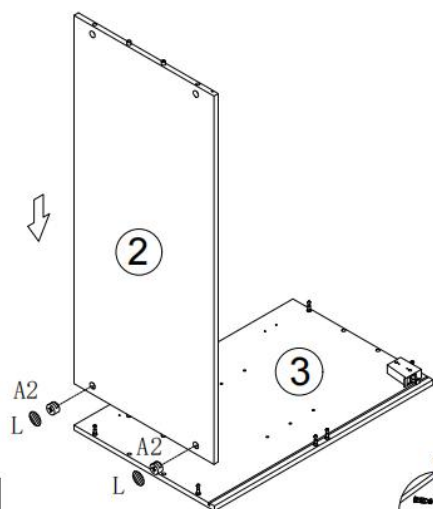
# 3



# 4



# 5



A2

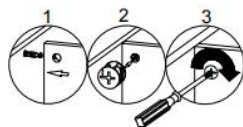


2pcs

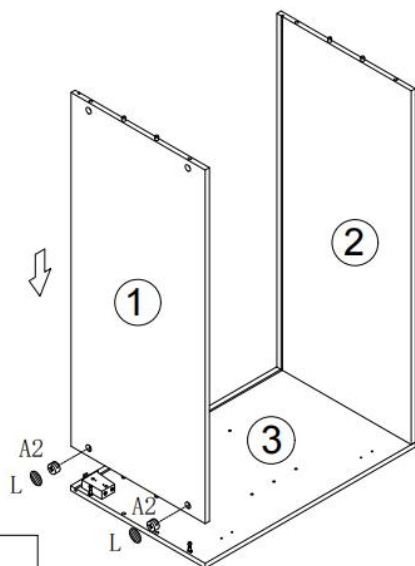
L



2pcs



# 6



A2

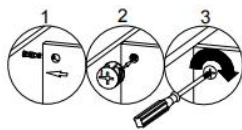


2pcs

L

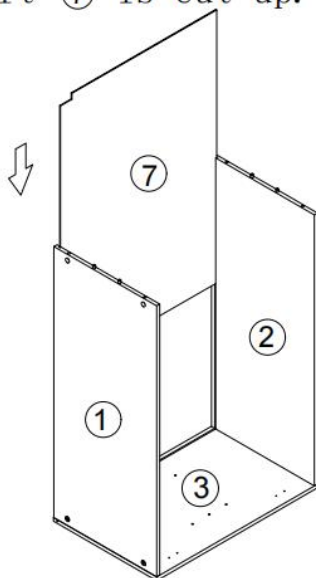


2pcs

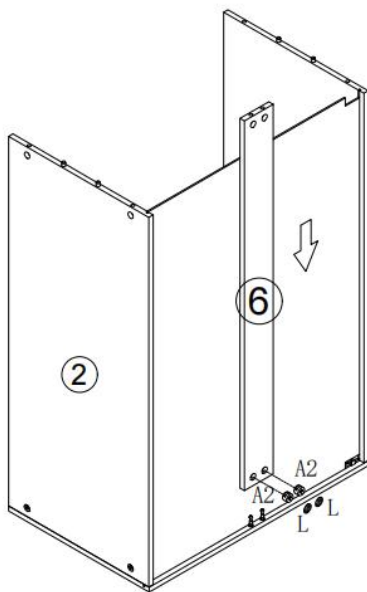


7

Note that part ⑦ is cut up.



8



A2



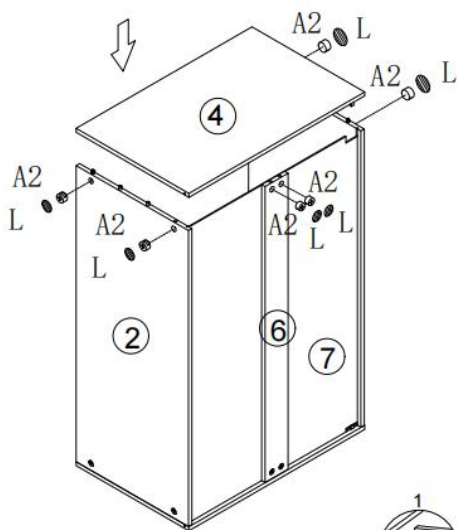
2pcs

L



2pcs

9



A2

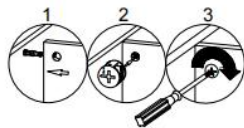


6pcs

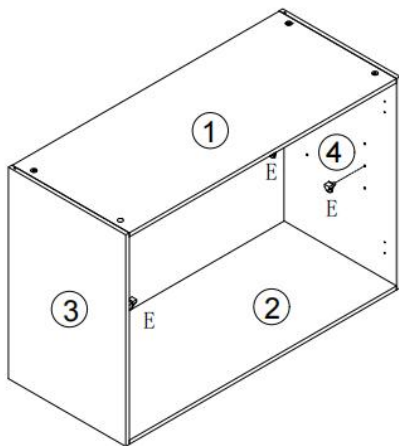
L



6pcs



10

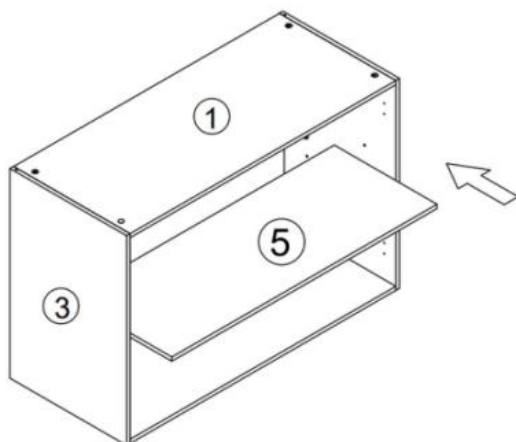


E

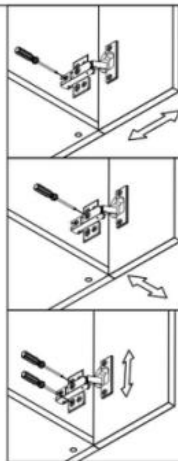
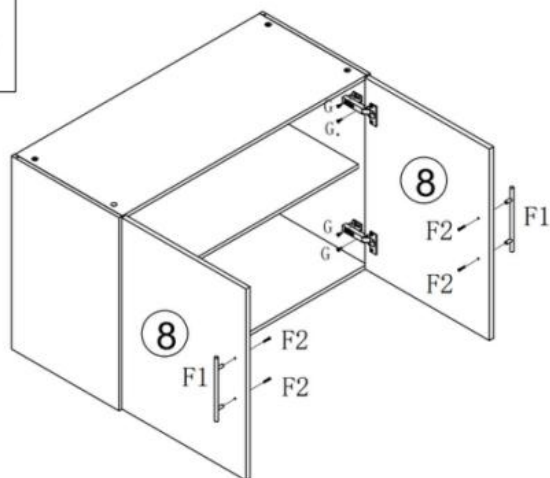





4pcs

# 11



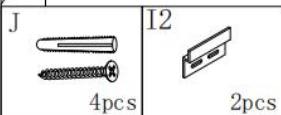
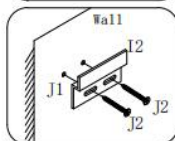
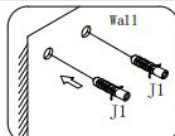
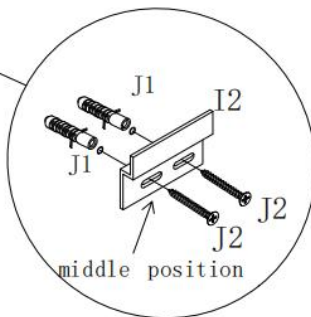
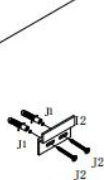
# 12



<p>F1</p>  <p>2pcs</p>	<p>F2</p>  <p>Φ4×18 2pcs</p>	<p>G</p>  <p>Φ3.5×12 8pcs</p>
---	---	--

# 13

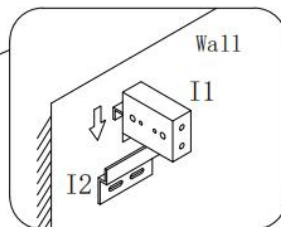
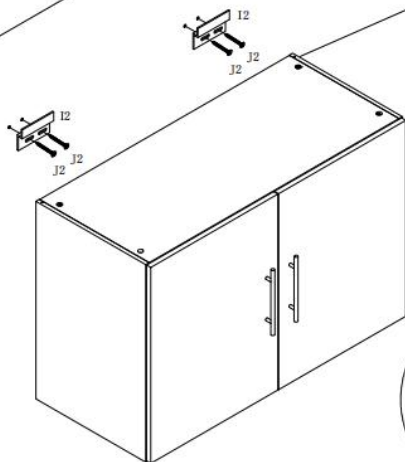
NOTE: dimension distance must be right!



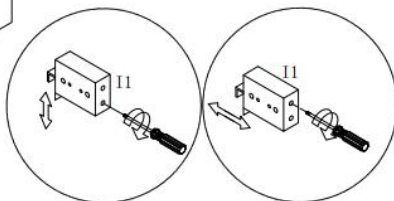
NOTE: J1 must be in the middle of J2

# 14

NOTE: same horizontal position



NOTE: install the cabinet on the J2



## PRODUCT PARAMETER

<b>Model</b>	XYFG-03
<b>Main Color</b>	White
<b>Safe Loading Weight</b>	60 lbs
<b>Product Size(D×W×H)</b>	406*914*610mm
<b>Net Weight</b>	20.95kg

\* Products such as specifications, appearance, and design are subject to modification without prior notice.

**Manufacturer:** Shanghaimuxinmuyeyouxiangongsi

**Address:** Shuangchenglu 803nong11hao1602A-1609shi, baoshanqu, shanghai 200000 CN.

**Imported to AUS:** SIHAO PTY LTD. 1 ROKEVA STREETEASTWOOD NSW 2122 Australia

**Imported to USA:** Sanven Technology Ltd. Suite 250, 9166 Anaheim Place, Rancho Cucamonga, CA 91730

<b>EC</b>	<b>REP</b>
-----------	------------

E-CrossStu GmbH  
Mainzer Landstr.69, 60329 Frankfurt am Main.

<b>UK</b>	<b>REP</b>
-----------	------------

YH CONSULTING LIMITED.  
C/O YH Consulting Limited Office 147, Centurion House, London Road, Staines-upon-Thames, Surrey, TW18 4AX



**Technical Support and E-Warranty Certificate**  
**[www.vevor.com/support](http://www.vevor.com/support)**