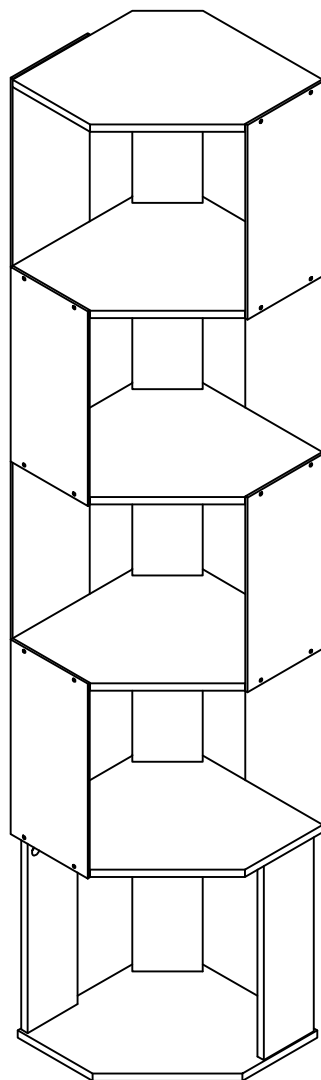


Manual



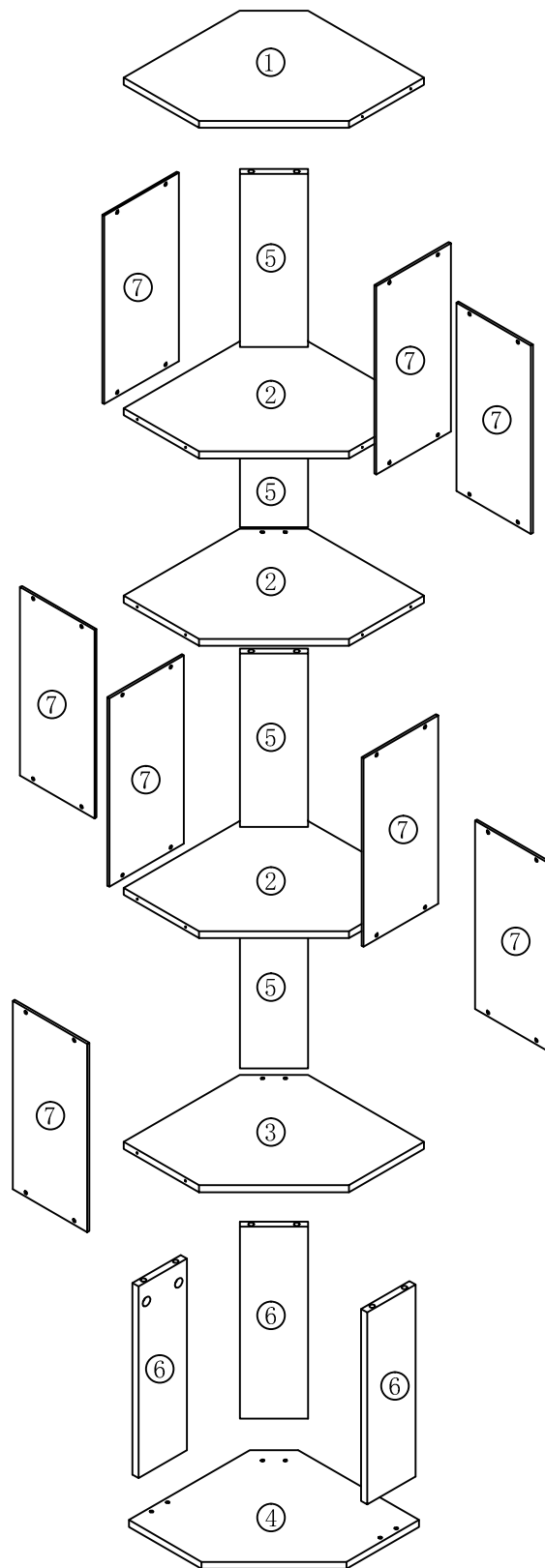
Thank you for purchase on our products. Please contact us if you have difficulty with assembly or need replacement parts. Our customer service is here to assist you. Please attach your User Name or Order ID so that we can assist you better.

WARNING

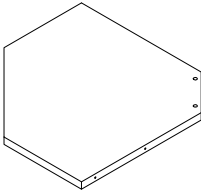
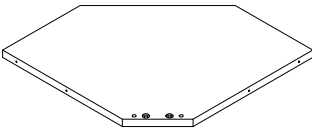
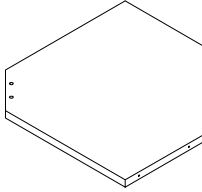
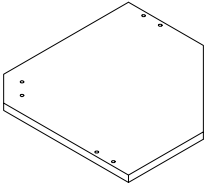
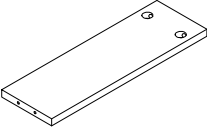
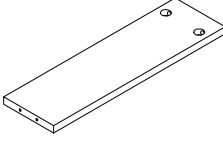
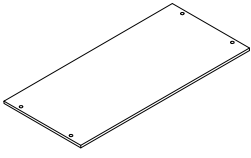
Serious or fatal injury may occur from unexpected assembly or use.


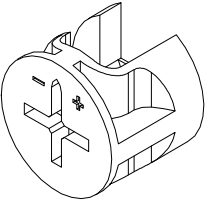
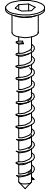
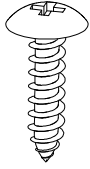
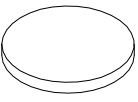
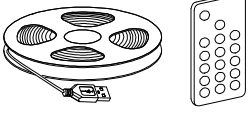
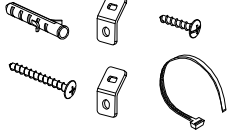
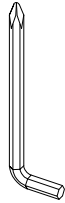
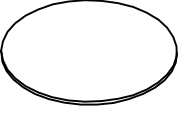
1. During the assembly process, keep all parts away from babies or children.
2. Always securely fix this product to the wall. Make sure the wall area to be drilled is free from hidden electrical wires, water and gas pipes.
3. Use of tip-over restraints may only reduce, but not eliminate the risk of tip-over.
4. Unless specially designed to accommodate, do not set heavy objects on top of this product.
5. Place the heaviest items on the lowest shelf.
6. Never allow children to climb or bang on drawers, doors or shelves.

Parts List



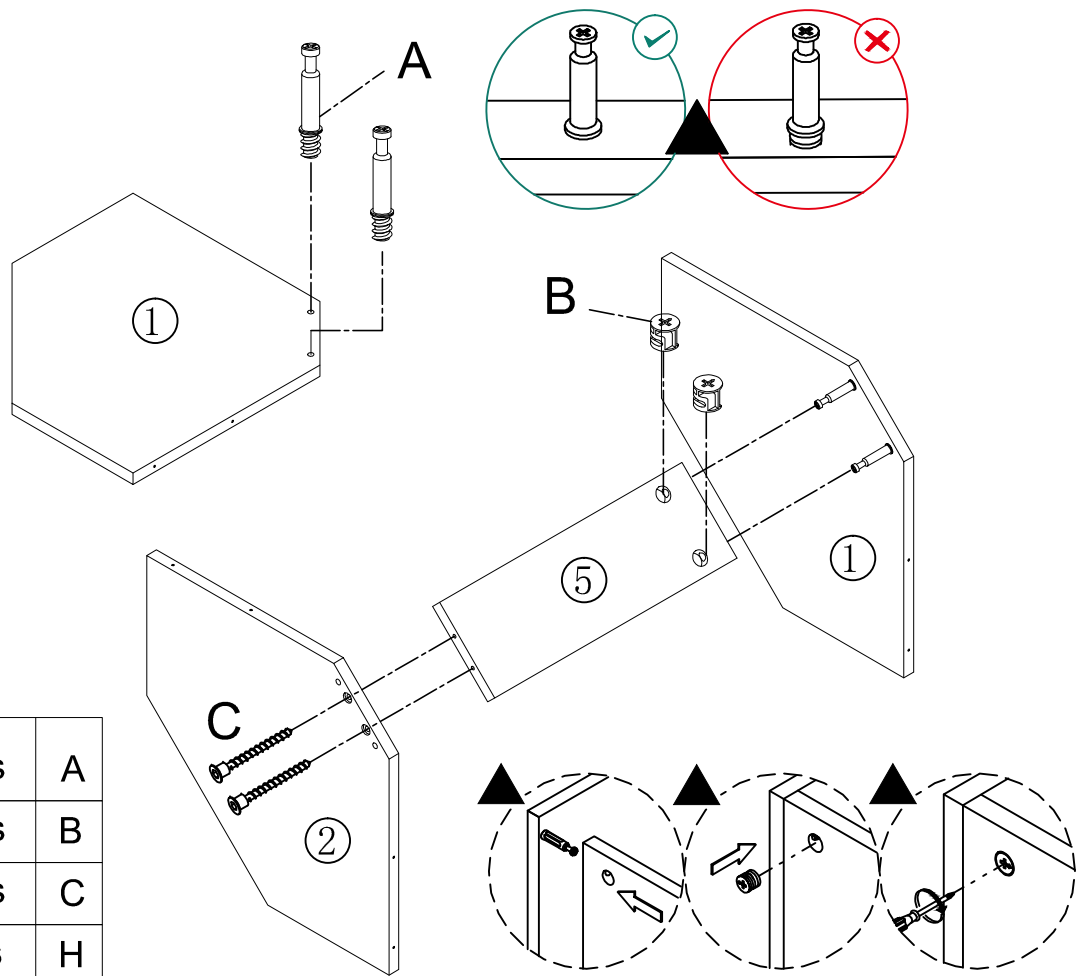
Parts List

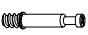



<p>①</p>  <p>1PC</p>	<p>②</p>  <p>3PCS</p>	<p>③</p>  <p>1PC</p>
<p>④</p>  <p>1PC</p>	<p>⑤</p>  <p>4PCS</p>	<p>⑥</p>  <p>3PCS</p>
<p>⑦</p>  <p>8PCS</p>		

<p>A</p>  <p>14+1PCS</p>	<p>B</p>  <p>14+1PCS</p>	<p>C</p>  <p>M5×40mm 14+1PCS</p>	<p>D</p>  <p>32+2PCS</p>
<p>E</p>  <p>4PCS</p>	<p>F</p>  <p>5PCS 1PC</p>	<p>G</p>  <p>1PCS</p>	<p>H</p>  <p>M4×60mm 1PC</p>
<p>I</p>  <p>14+1PCS</p>			

Assembly Steps

STEP 1

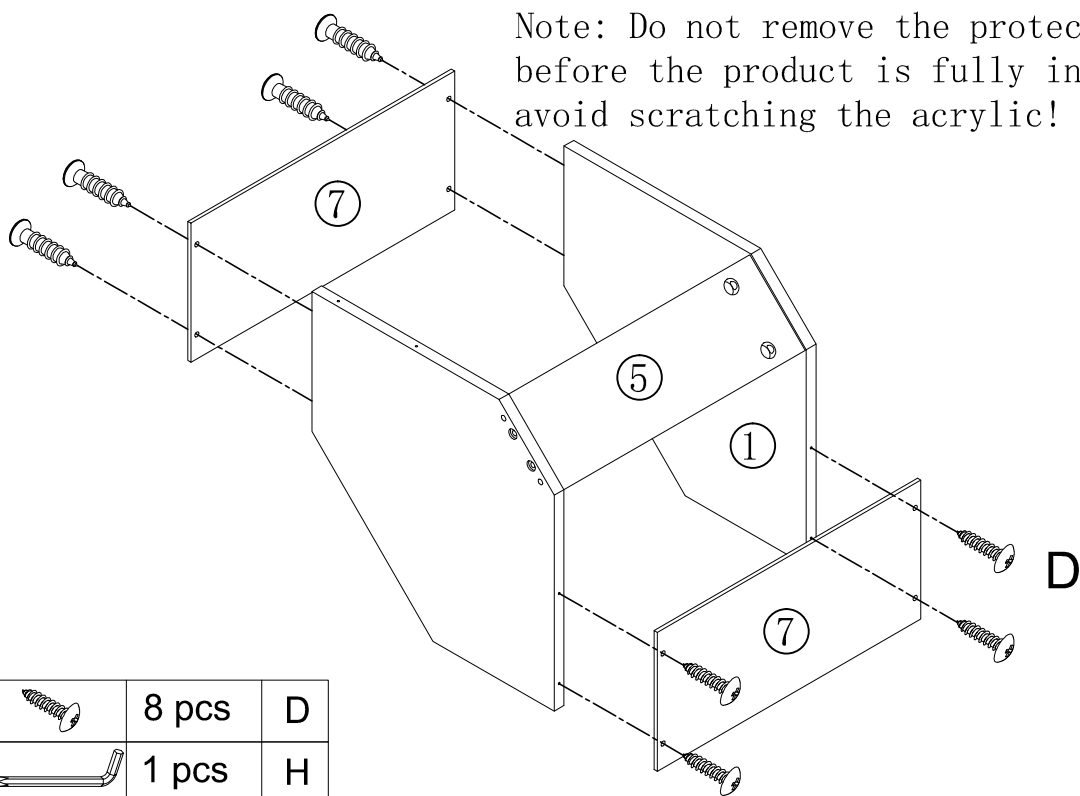



	2 pcs	A
	2 pcs	B
	2 pcs	C
	1 pcs	H

STEP 2

Before installation, you will need to peel off the plastic film at the holes on both sides of plate 7

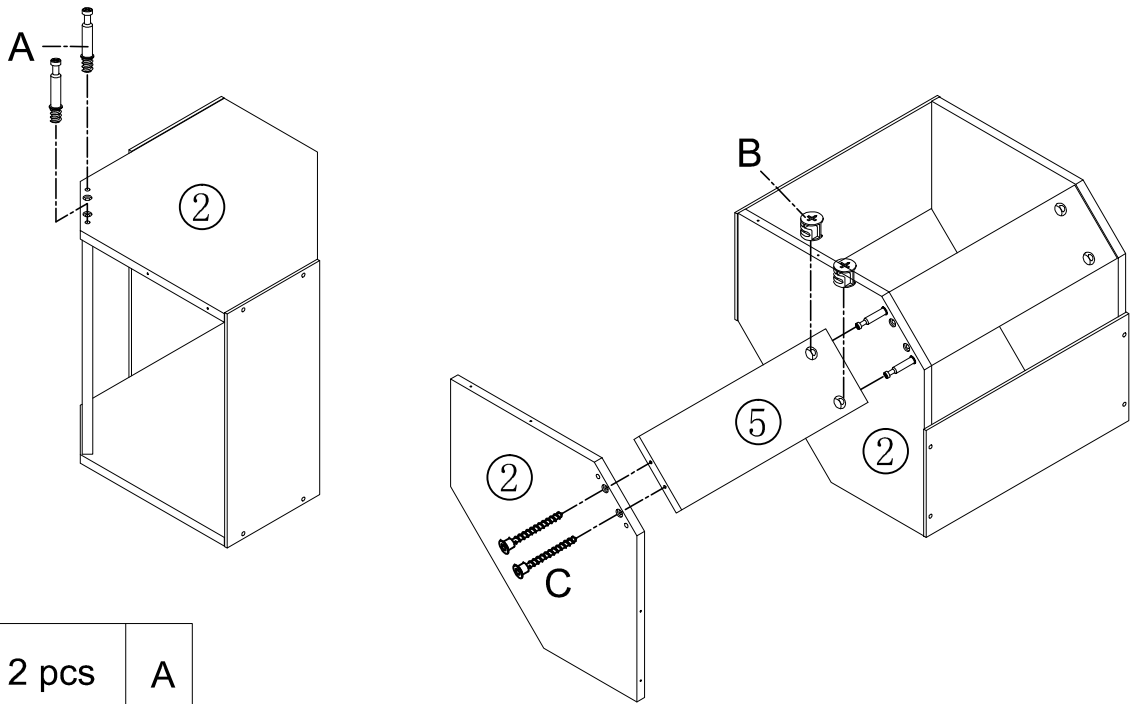
Note: Do not remove the protective film before the product is fully installed to avoid scratching the acrylic!

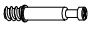





	8 pcs	D
	1 pcs	H

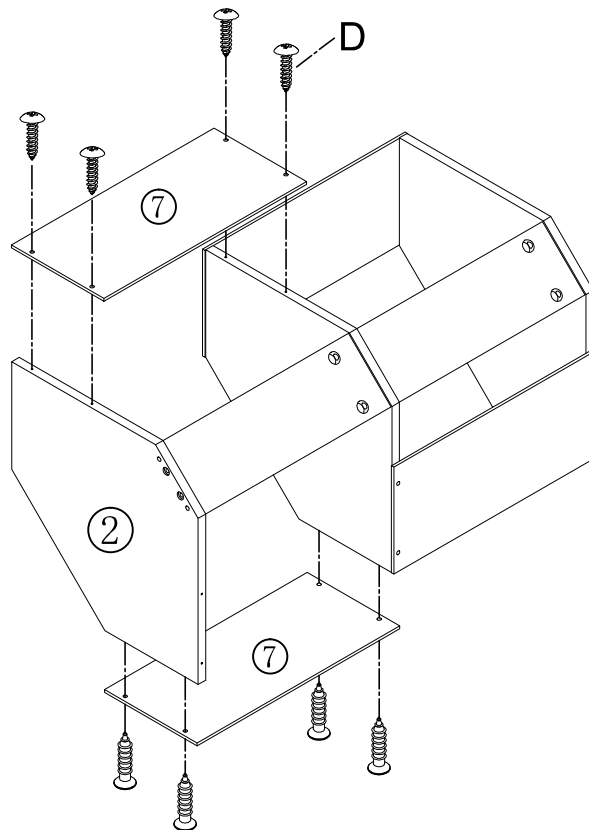
Assembly Steps



STEP 3



	2 pcs	A
	2 pcs	B
	2 pcs	C
	1 pcs	H

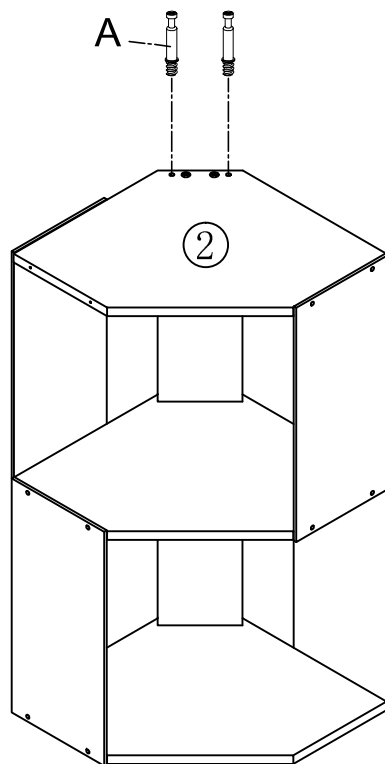
STEP 4

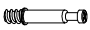



	8 pcs	D
	1 pcs	H

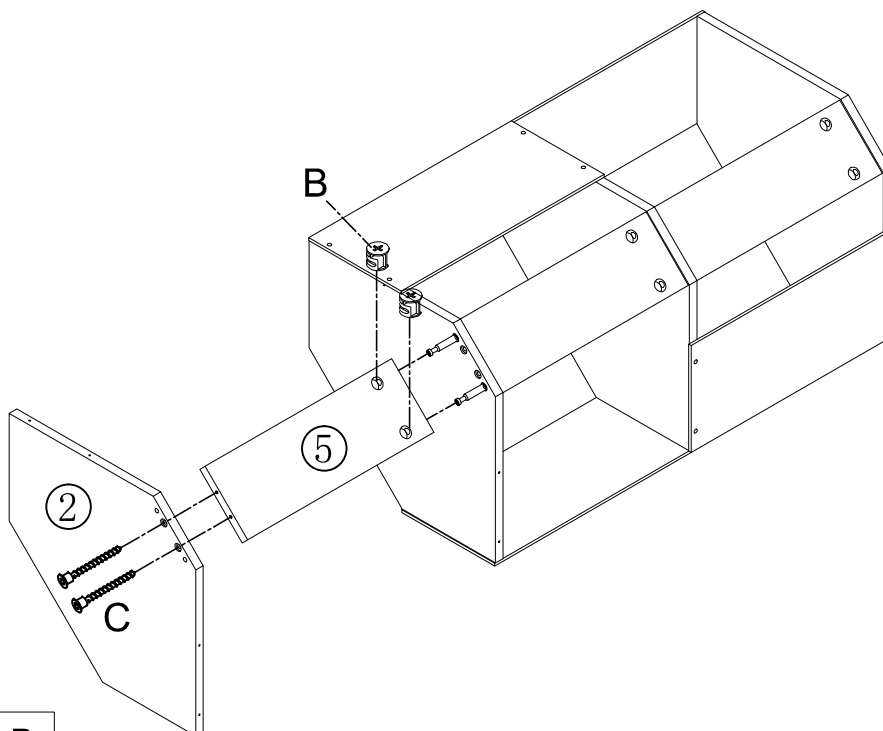
Assembly Steps




STEP 5



	2 pcs	A
	1 pcs	H

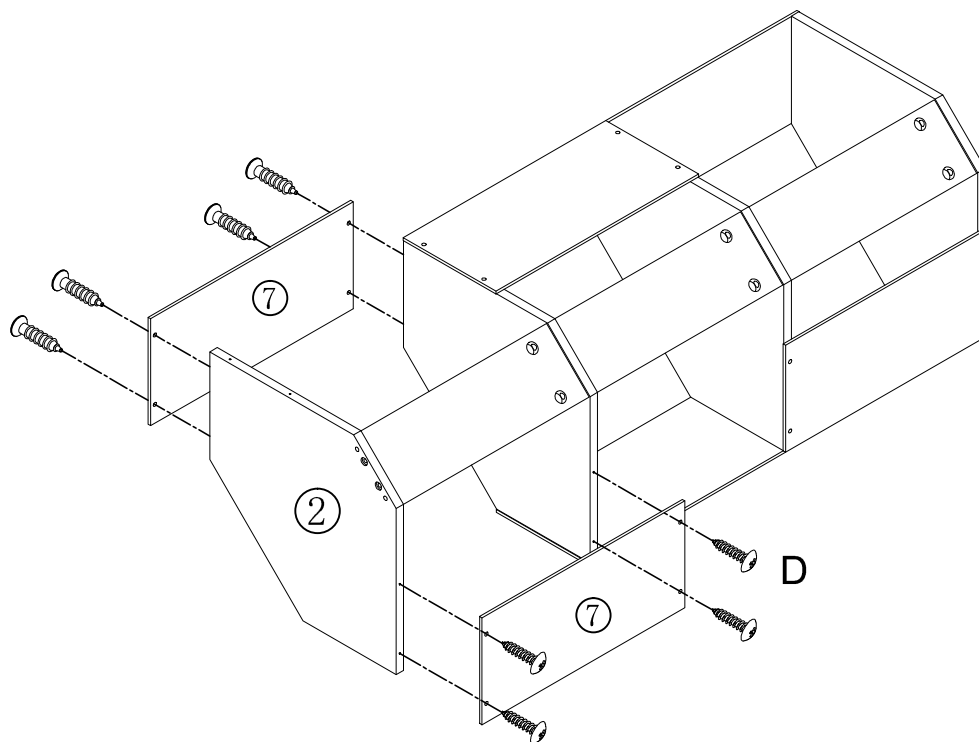
STEP 6





	2 pcs	B
	2 pcs	C
	1 pcs	H

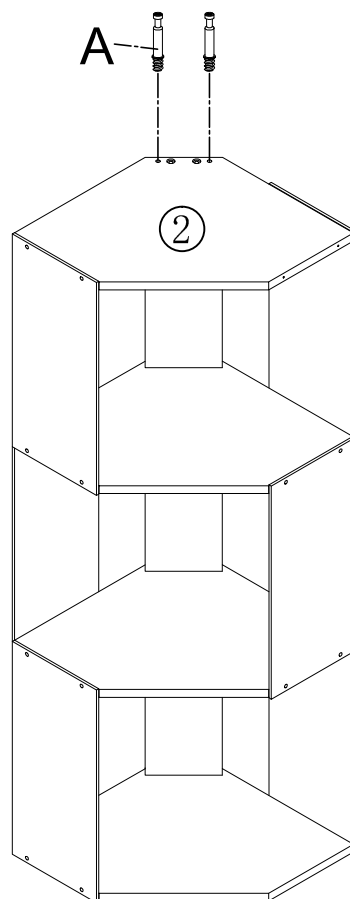
Assembly Steps

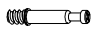

STEP 7



	8 pcs	D
	1 pcs	H

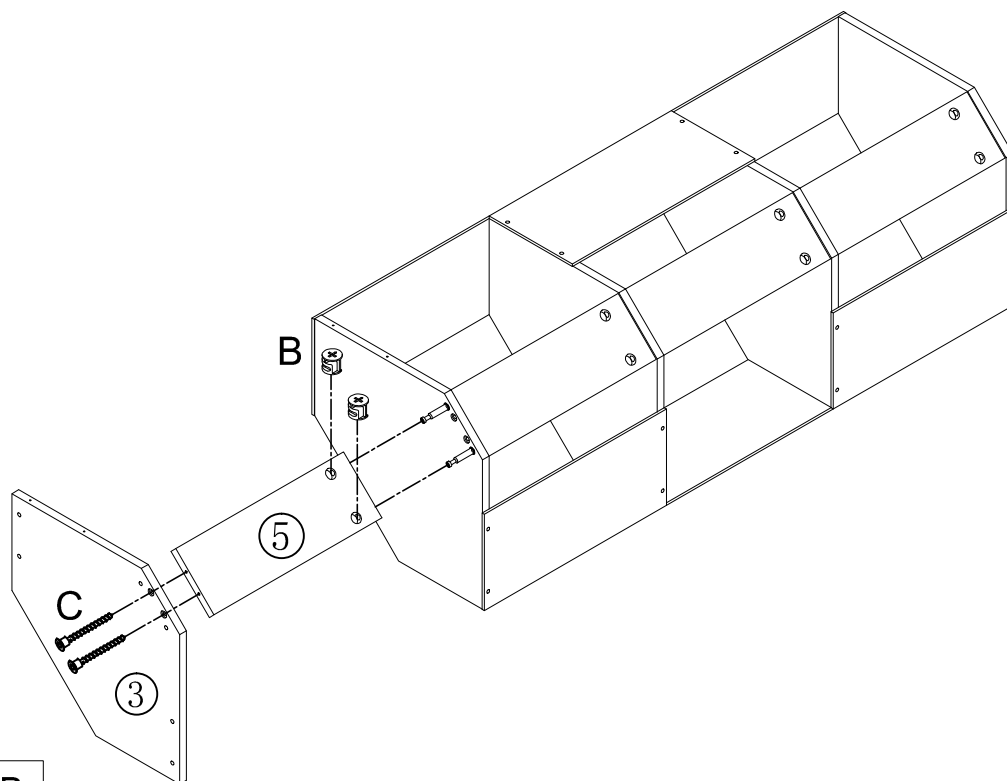
STEP 8


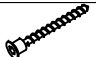



	2 pcs	A
	1 pcs	H

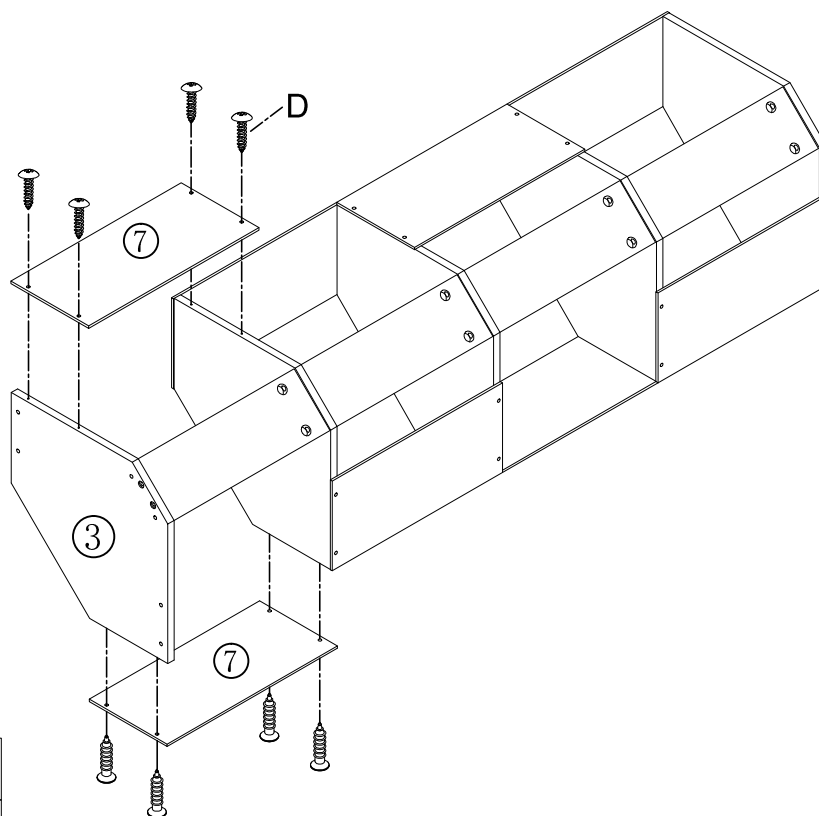
Assembly Steps



STEP 9



	2 pcs	B
	2 pcs	C
	1 pcs	H

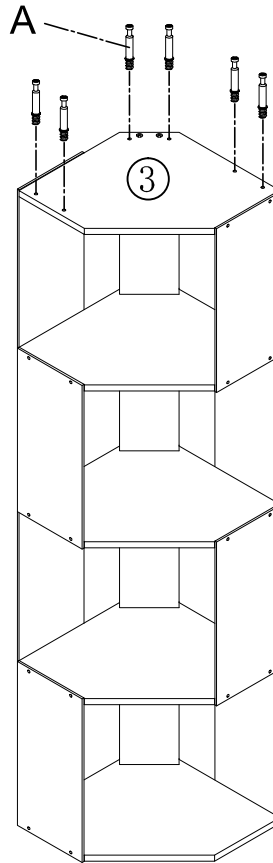
STEP 10

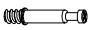



	8 pcs	D
	1 pcs	H

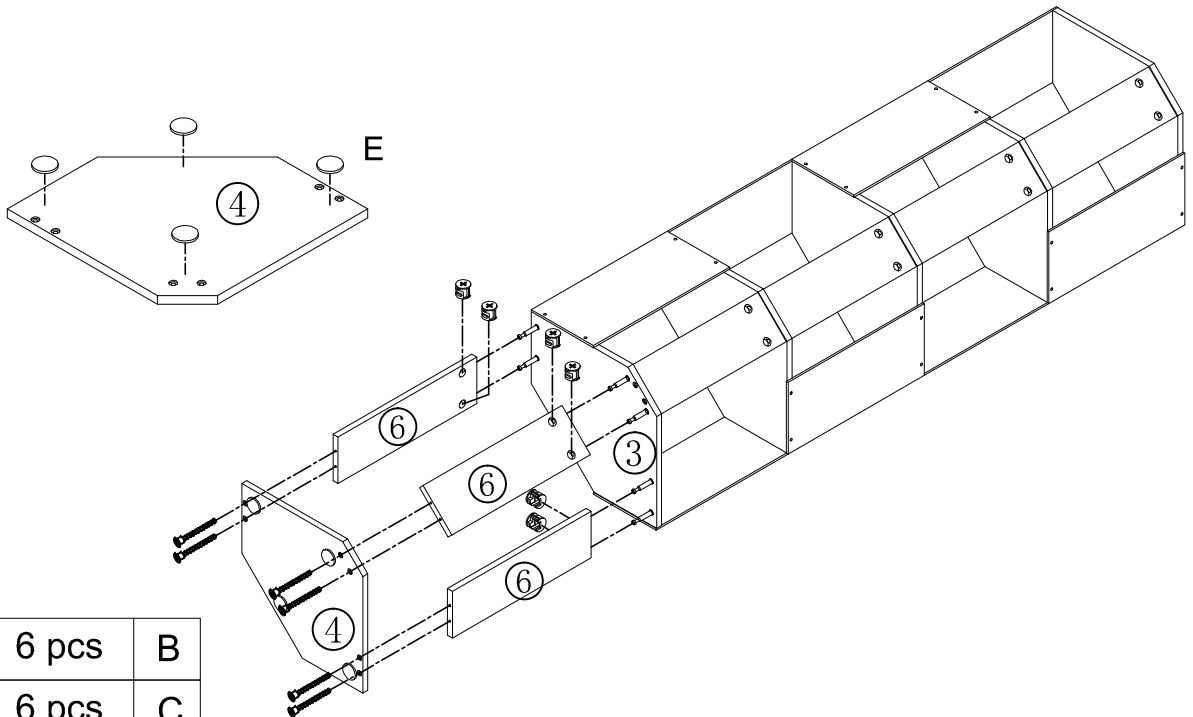
Assembly Steps





STEP 11



	6 pcs	A
	1 pcs	H

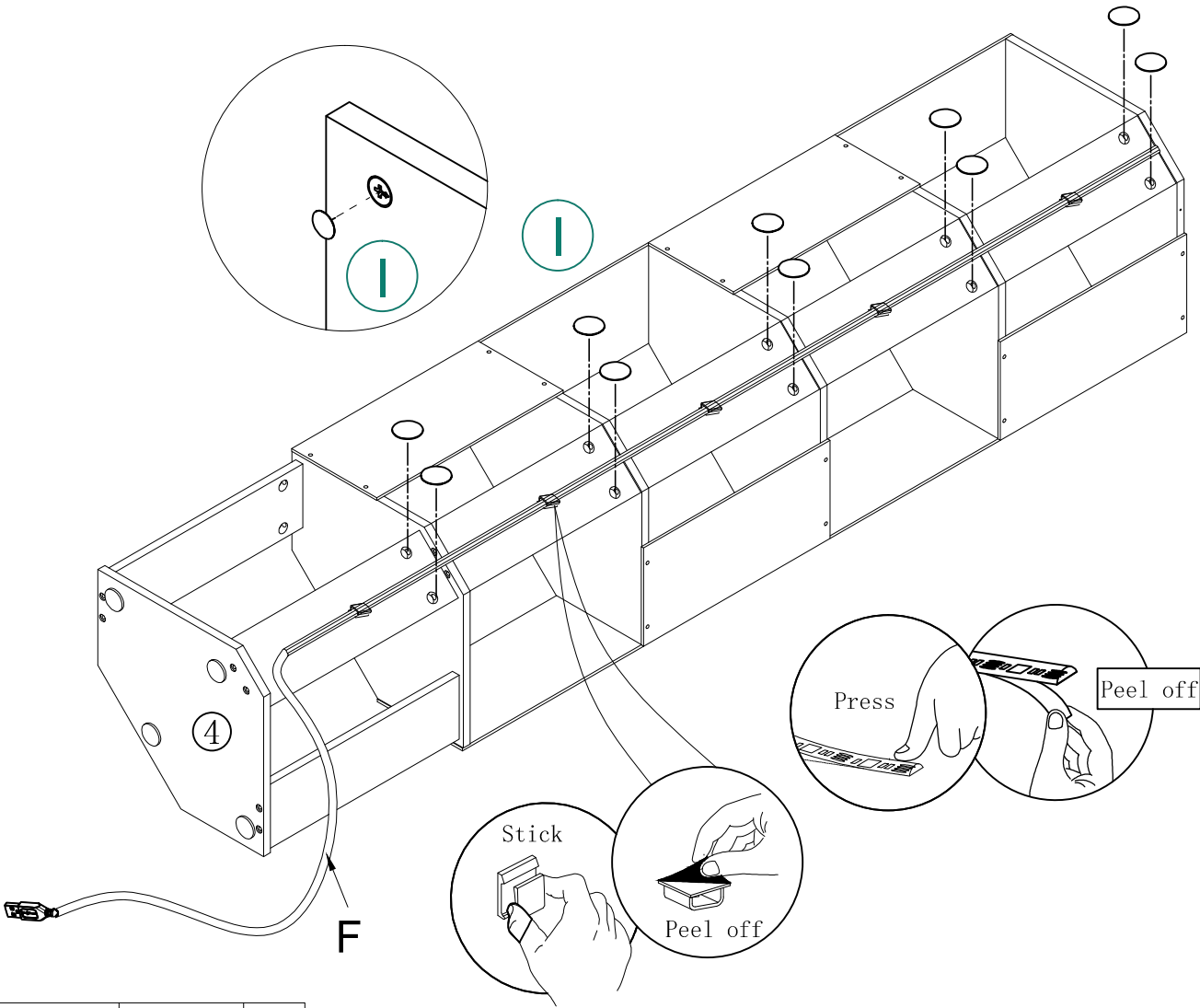
STEP 12

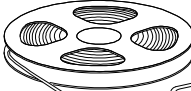
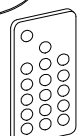


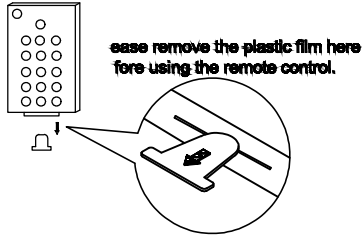
	6 pcs	B
	6 pcs	C
	4 pcs	E
	1 pcs	H

Assembly Steps

STEP 13



○	14 pcs	I
		
		F
5PCS		



Assembly Steps

STEP 14

