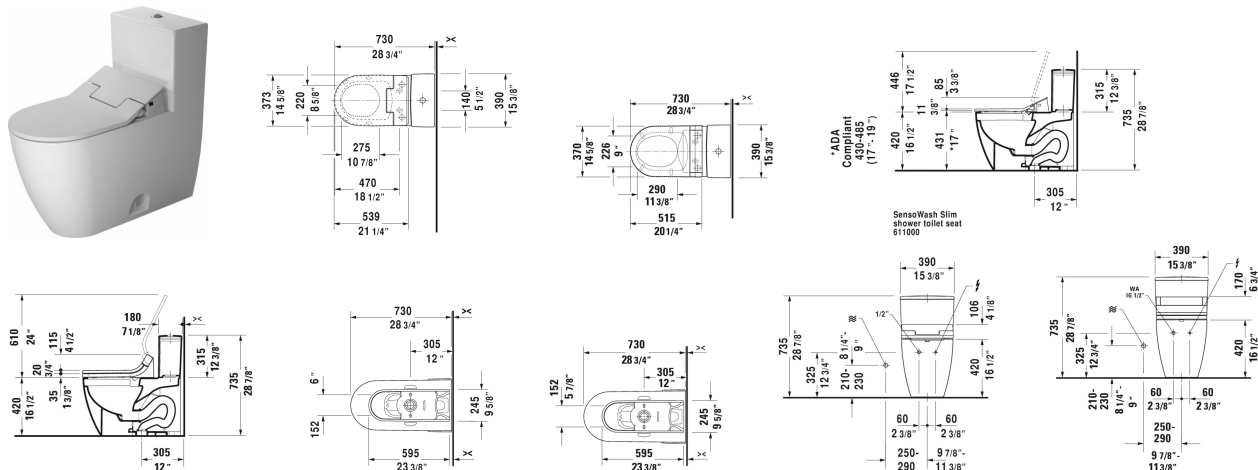


ME by Starck One-piece toilet Duravit Rimless for SensoWash®
217351..01 / 217351..85

< 14 1/8" Inch >



One-piece toilet Duravit Rimless for SensoWash®	Dimension	Weight	Order number
rimless, connecting elements for SensoWash with concealed connections included, syphonic, 12" rough-in, only in combination with SensoWash, vertical outlet, cUPC listed			
Colors			
00 White 20 HygieneGlaze (an antibacterial ceramic glaze that provides almost indefinite effectiveness)			
Variant			
◆ 1.32/0.92 gpf, with dual flush mechanism	14 1/8" x 28 3/4" Inch	153 lb	217351..01
◆ 1.28 gpf, with single flush piston valve, top flush	14 1/8" x 28 3/4" Inch	153 lb	217351..85
Mounting set for One-Piece and Two-Piece toilets, outlet 3/8" - male thread, wall connection 1/2" - female thread, 1/2", North American version	17 3/4" Inch	1.1 lb	001417
Suitable products			
SensoWash Starck C shower-toilet seat for ME by Starck, Starck 2, Starck 3 and Darling New* with concealed connections, remote control included, power actuated lid and seat, rear-, front and oscillating wash, individual adjustment of water-, air- and seat surface temperature as well as nozzle position and jet strength, self-cleaning wand, 2 individually programmable user profiles, night light, Quick release: easy seat unit removal and attachment, on / off-button, 14 5/8" x 20 1/4" Inch	14 5/8" x 20 1/4" Inch		610001

ME by Starck One-piece toilet Duravit Rimless for SensoWash®
217351..01 / 217351..85

|< 14 1/8" Inch >|

SensoWash Slim shower-toilet seat for ME by Starck, Starck 2, Starck 3 and Darling New* with concealed connections, remote control included, locking function via remote control, rear-, front and oscillating wash, self-cleaning wand, with slow close, 14 3/4" x 21 1/4" Inch night light, seat and lid easily removable with one hand, automatic drainage in periods of prolonged disuse, on / off-button, 14 3/4" x 21 1/4" Inch

611000

All drawings contain the necessary measurements which are subject to standard tolerances. They are stated in inch & mm and are non-binding. Exact measurements, in particular for customized installation scenarios, can only be taken from the finished ceramic piece.