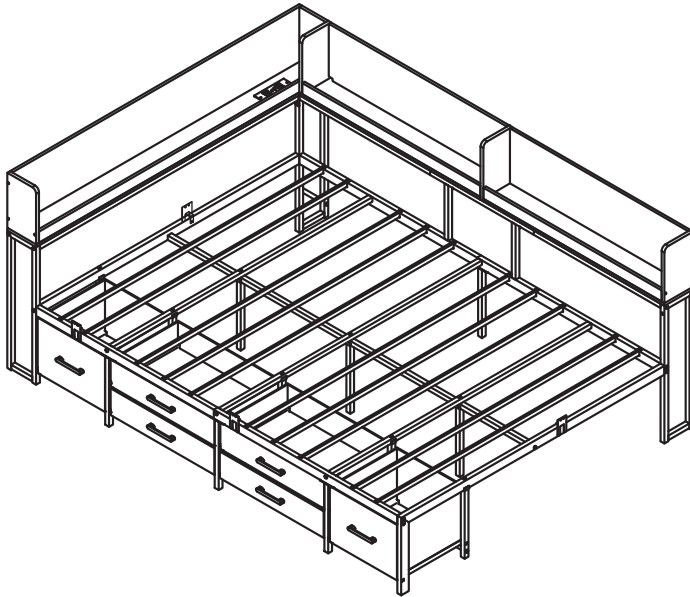
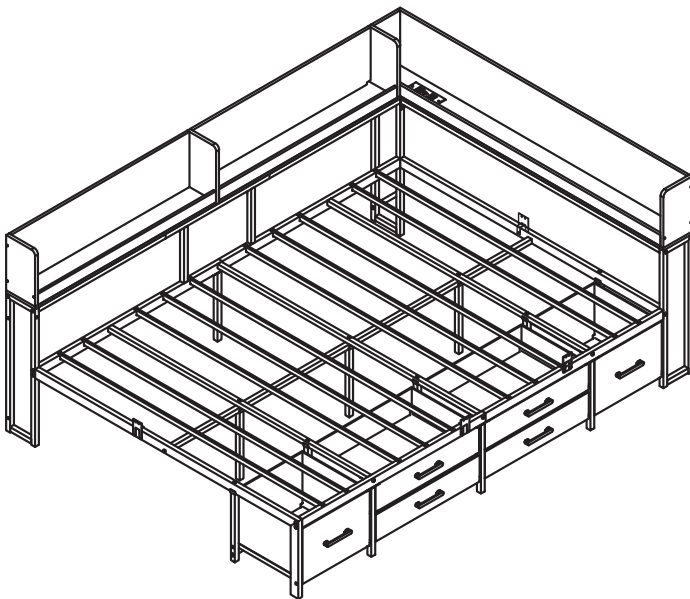


# ASSEMBLY INSTRUCTION

Version: 1.0



Assembly headboard at left side, please follow the assembly steps on page 6-27



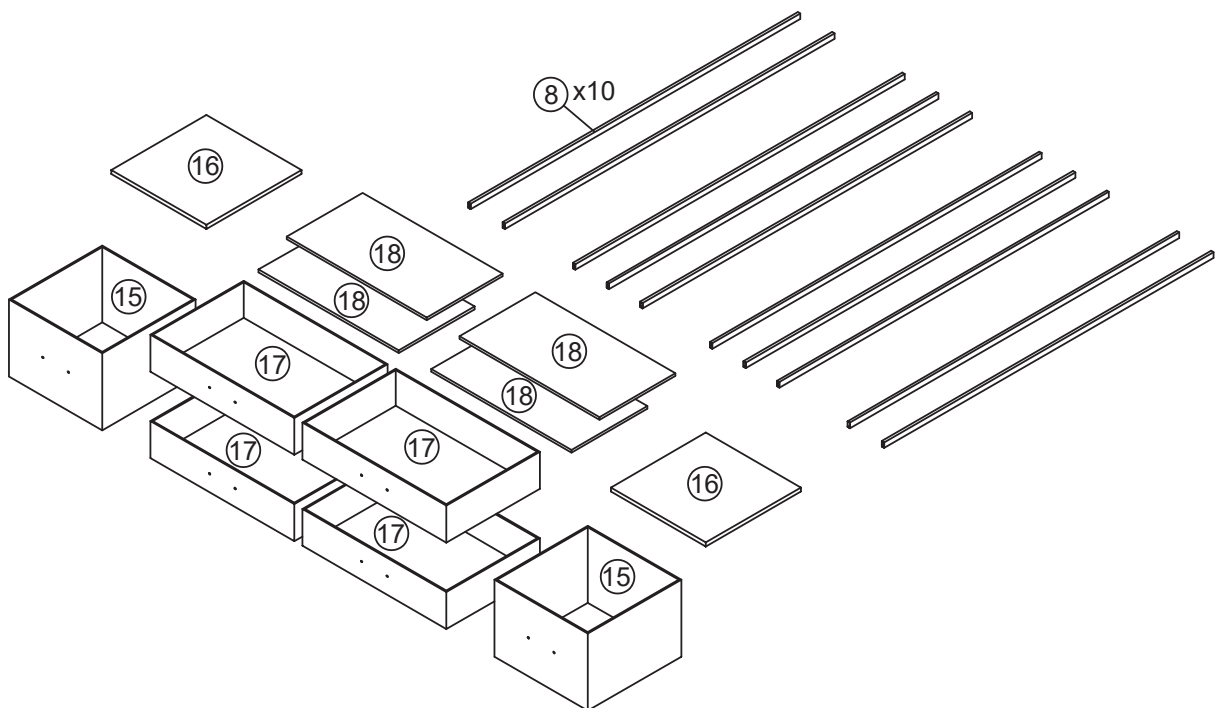
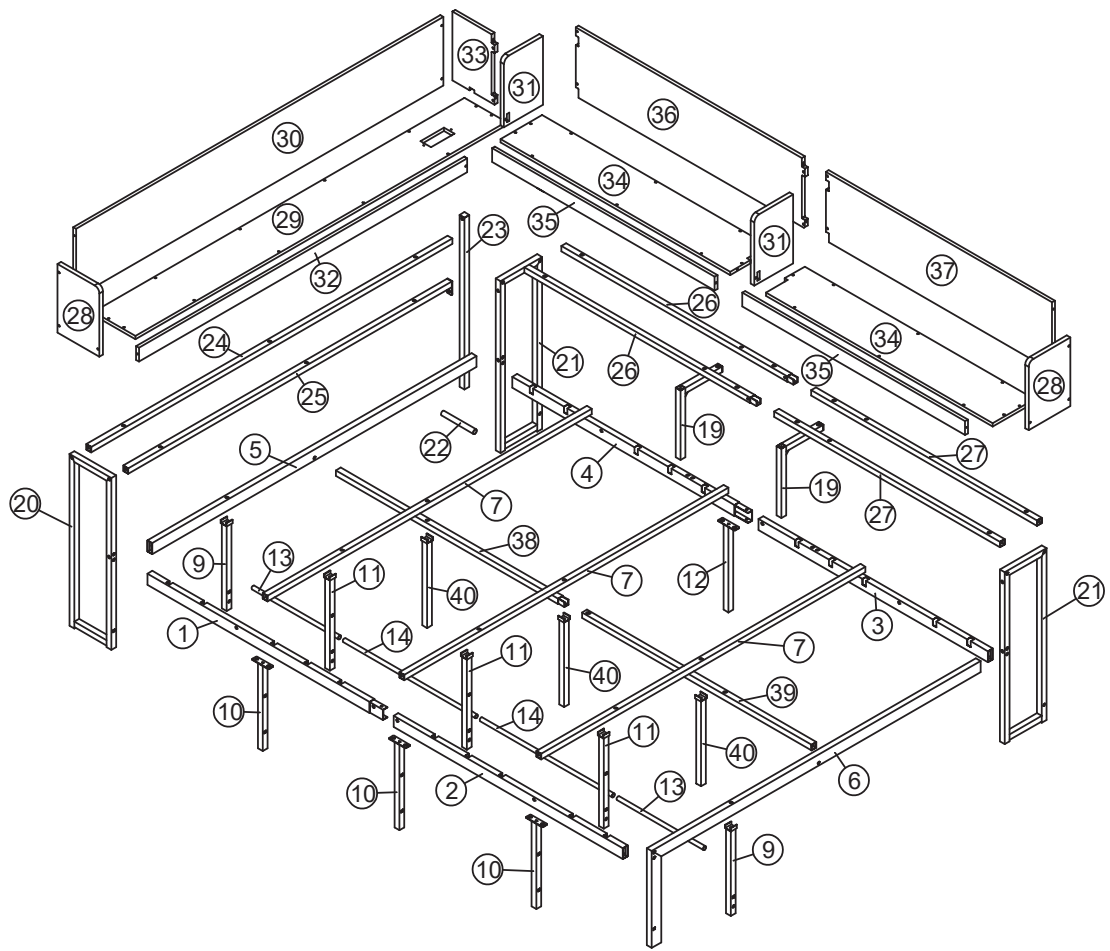
Assembly headboard at right side, please follow the assembly steps on page 28-50.



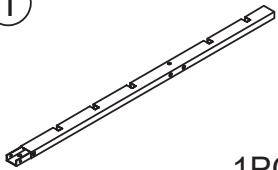
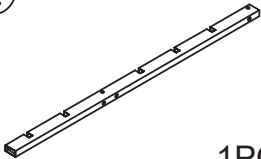
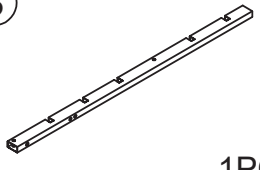
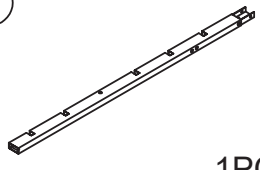
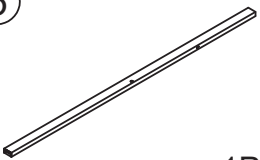
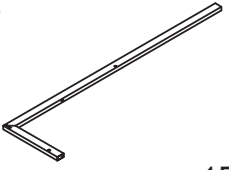
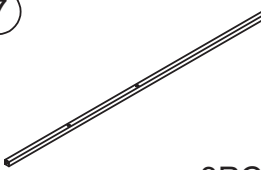

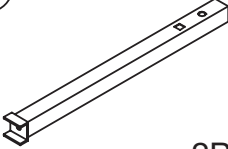
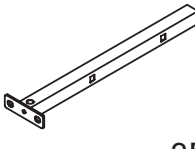
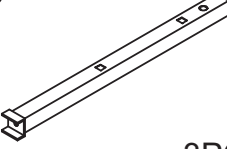
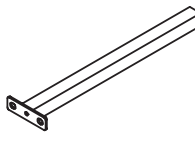
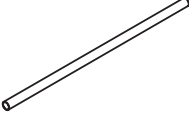
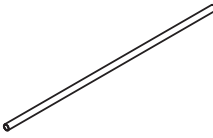
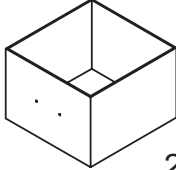
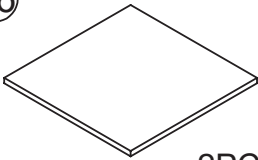
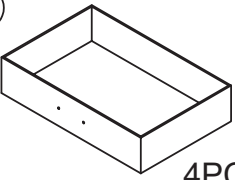
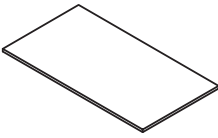
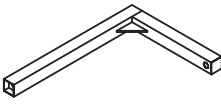
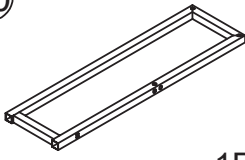
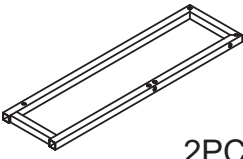
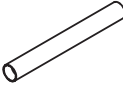
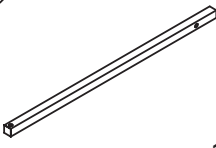
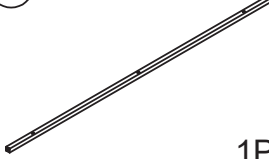
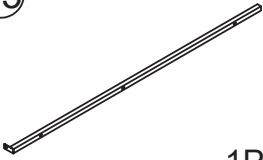
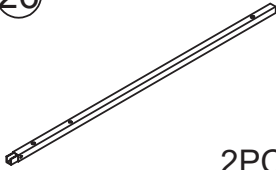
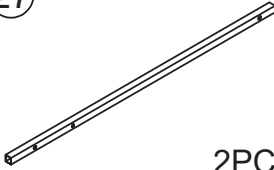
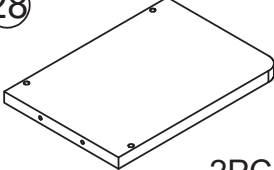
## Note:

Should be assembled on flat ground to keep balance.  
It needs at least two people to install.

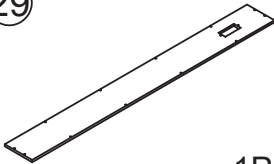
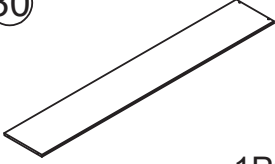
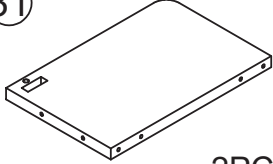
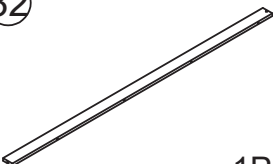
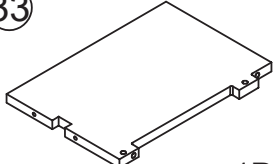
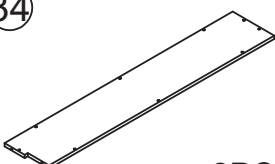
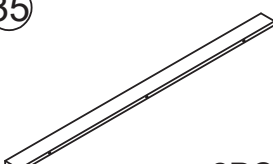
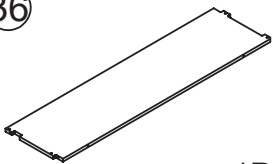
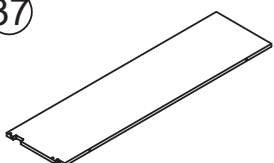
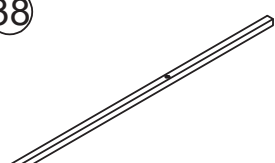
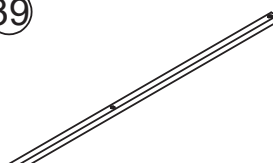
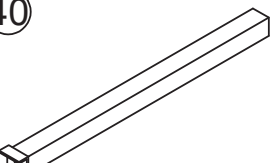
Before starting the assembly, you must read the whole manual and follow the instructions.







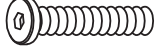


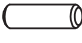
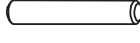

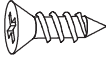
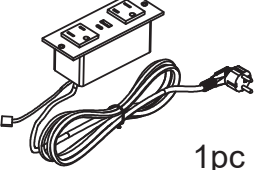
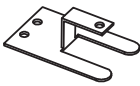
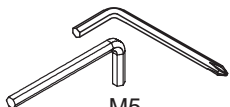
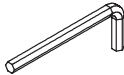



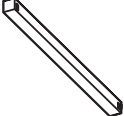



# PARTS LIST

①  1PC	②  1PC	③  1PC	④  1PC
⑤  1PC	⑥  1PC	⑦  3PCS	⑧  10PCS
⑨  2PCS	⑩  3PCS	⑪  3PCS	⑫  1PC
⑬  2PCS	⑭  2PCS	⑮  2PCS	⑯  2PCS
⑰  4PCS	⑱  4PCS	⑲  2PCS	⑳  1PC
㉑  2PCS	㉒  1PC	㉓  1PC	㉔  1PC
㉕  1PC	㉖  2PCS	㉗  2PCS	㉘  2PCS

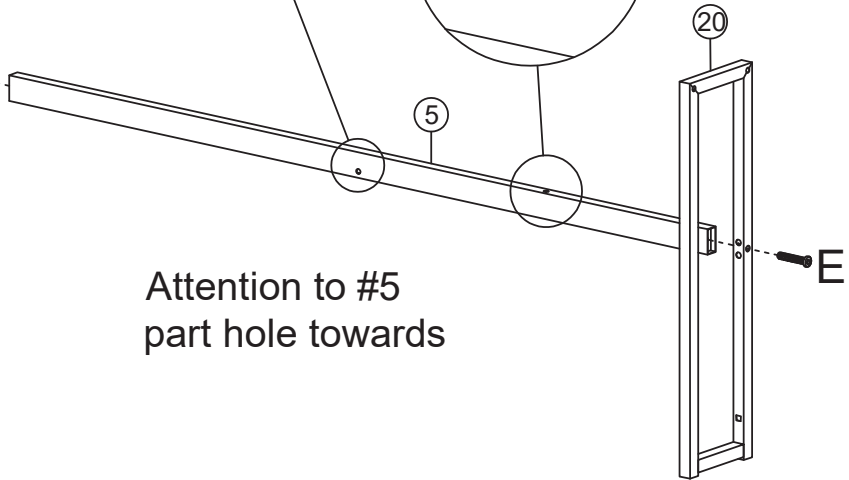
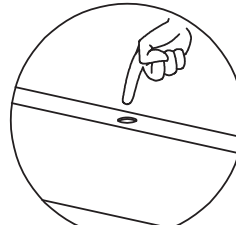
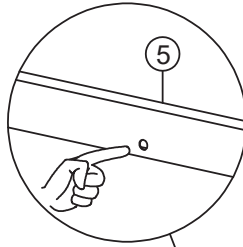
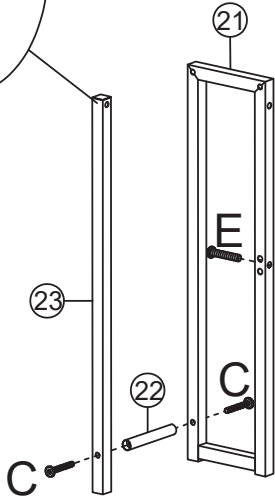
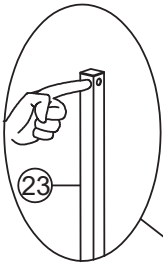
# PARTS LIST

<p>29</p>  <p>1PC</p>	<p>30</p>  <p>1PC</p>	<p>31</p>  <p>2PCS</p>	<p>32</p>  <p>1PC</p>
<p>33</p>  <p>1PC</p>	<p>34</p>  <p>2PCS</p>	<p>35</p>  <p>2PCS</p>	<p>36</p>  <p>1PC</p>
<p>37</p>  <p>1PC</p>	<p>38</p>  <p>1PC</p>	<p>39</p>  <p>1PC</p>	<p>40</p>  <p>3PCS</p>

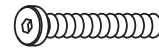
# PARTS LIST

<p style="text-align: center;"><b>A</b></p>  <p style="text-align: center;">M6x12 17pcs+1</p>	<p style="text-align: center;"><b>B</b></p>  <p style="text-align: center;">M6x28 14pcs+1</p>	<p style="text-align: center;"><b>C</b></p>  <p style="text-align: center;">M6x40 26pcs+2</p>	<p style="text-align: center;"><b>D</b></p>  <p style="text-align: center;">M6x60 7pcs+1</p>	<p style="text-align: center;"><b>E</b></p>  <p style="text-align: center;">M8x40 11pcs+1</p>
<p style="text-align: center;"><b>F</b></p>  <p style="text-align: center;">M6x50 3pcs+1</p>	<p style="text-align: center;"><b>G</b></p>  <p style="text-align: center;">M5x38 47pcs+2</p>	<p style="text-align: center;"><b>H</b></p>  <p style="text-align: center;">Ø6x30 6pcs+1</p>	<p style="text-align: center;"><b>I</b></p>  <p style="text-align: center;">Ø6x60 1pc+1</p>	<p style="text-align: center;"><b>J</b></p>  <p style="text-align: center;">3pcs</p>
<p style="text-align: center;"><b>K</b></p>  <p style="text-align: center;">Ø3.5x12 2pcs+1</p>	<p style="text-align: center;"><b>L</b></p>  <p style="text-align: center;">1pc</p>	<p style="text-align: center;"><b>M</b></p>  <p style="text-align: center;">4pcs</p>	<p style="text-align: center;"><b>N</b></p>  <p style="text-align: center;">M5 1+1pc</p>	<p style="text-align: center;"><b>O</b></p>  <p style="text-align: center;">M4 2pcs</p>
<p style="text-align: center;"><b>P</b></p>  <p style="text-align: center;">6pcs</p>	<p style="text-align: center;"><b>Q</b></p>  <p style="text-align: center;">M4x10 12pcs+2</p>	<p style="text-align: center;"><b>R</b></p>  <p style="text-align: center;">6pcs</p>	<p style="text-align: center;"><b>S</b></p>  <p style="text-align: center;">6pcs</p>	<p style="text-align: center;"><b>T</b></p>  <p style="text-align: center;">M3 2pcs</p>
<p style="text-align: center;"><b>U</b></p>  <p style="text-align: center;">1pc</p>	<p style="text-align: center;"><b>V</b></p>  <p style="text-align: center;">1pc</p>			

### Step 1



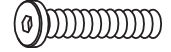
C



M6x40

2pcs

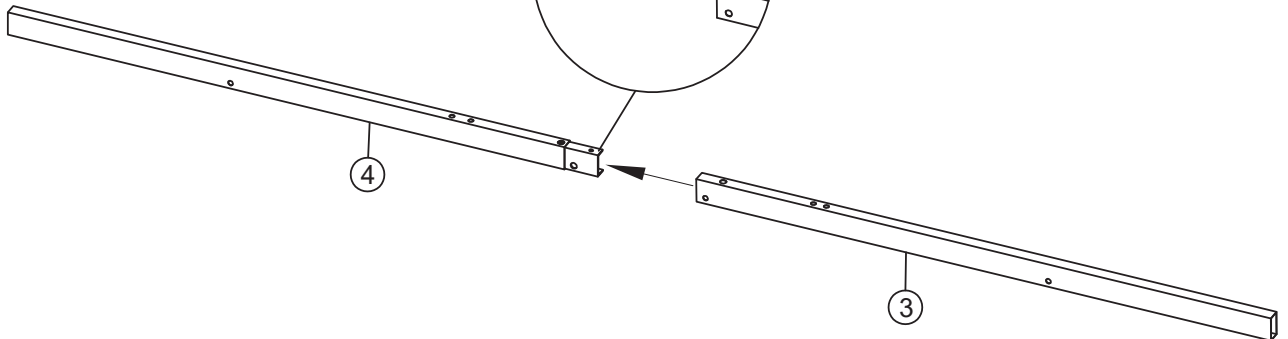
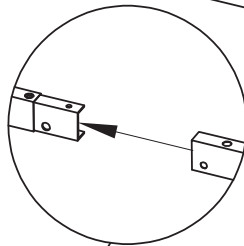
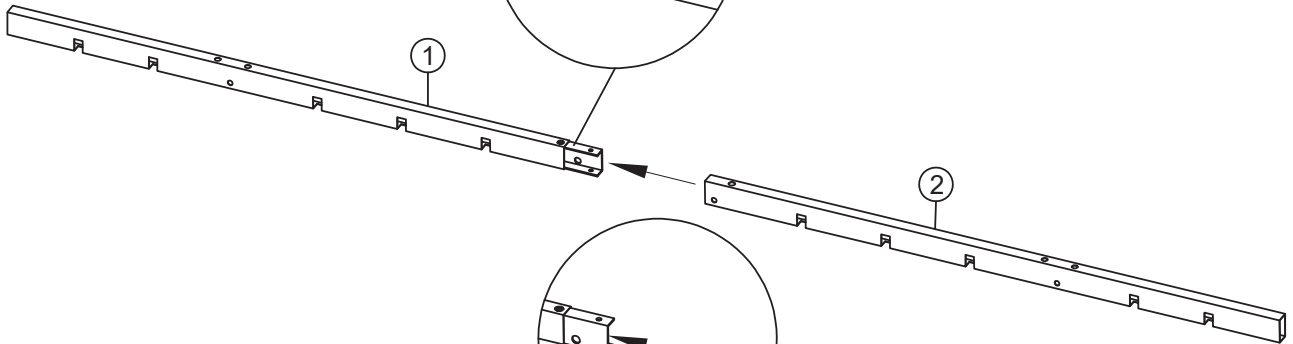
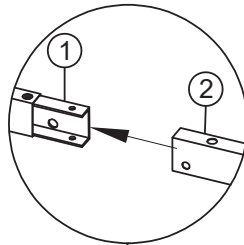
E



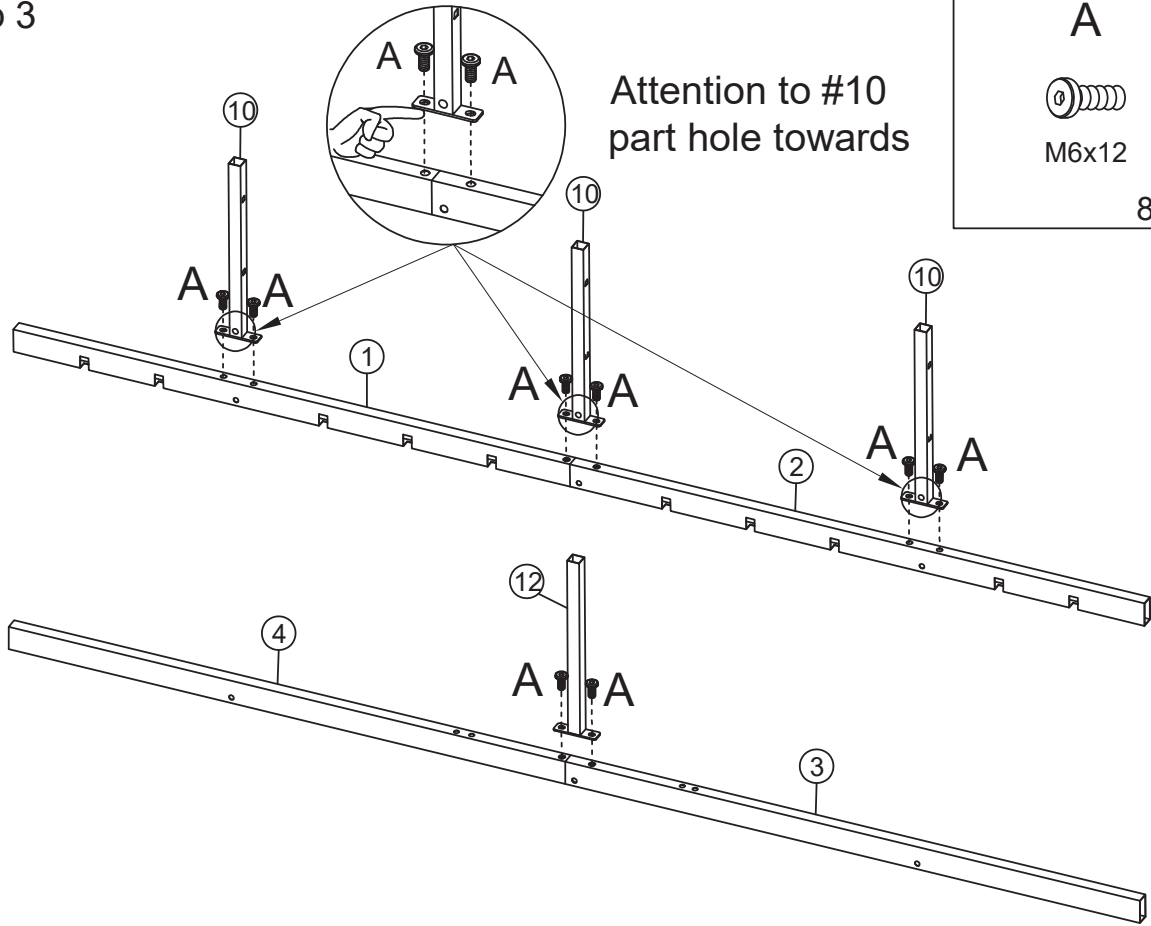
M8x40

2pcs

### Step 2



### Step 3



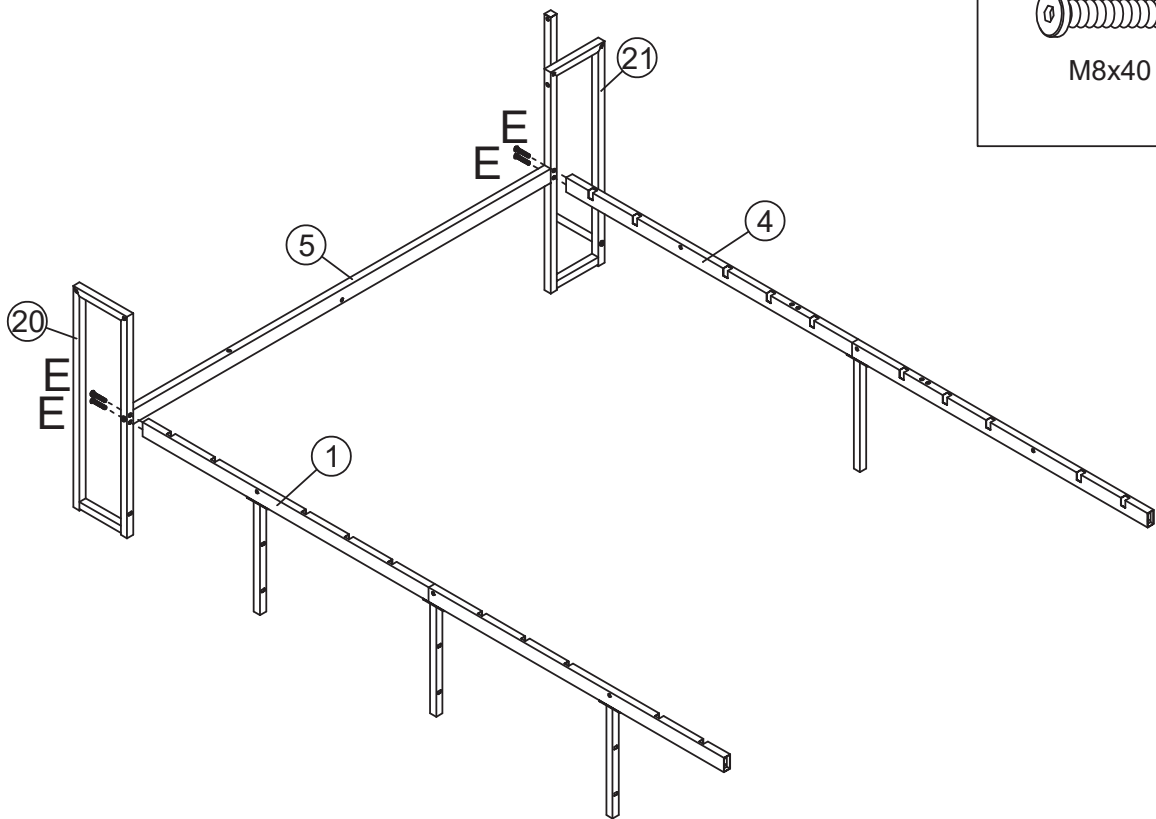
A



M6x12

8pcs

### Step 4



E

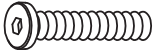


M8x40

4pcs

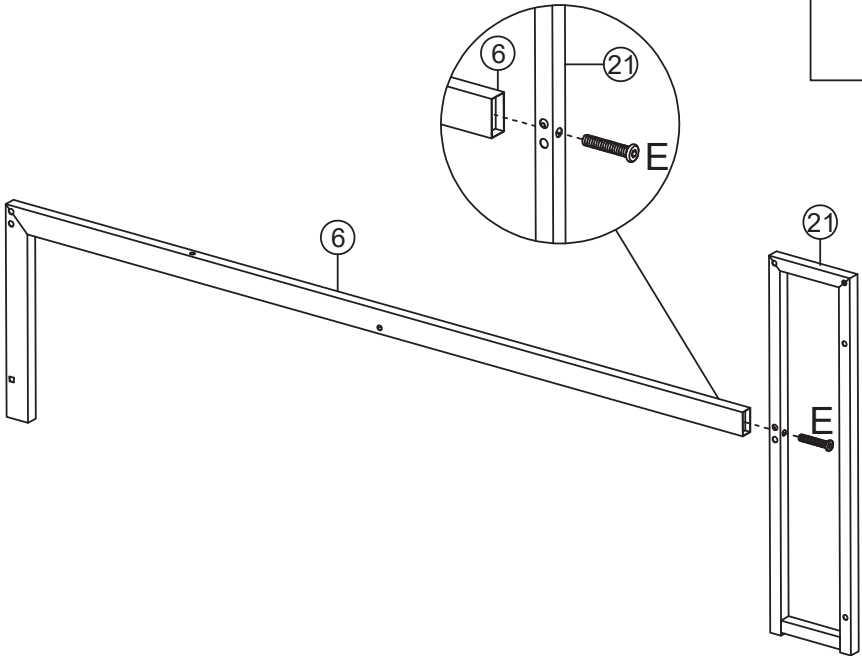
Step 5

E



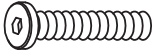
M8x40

1pc



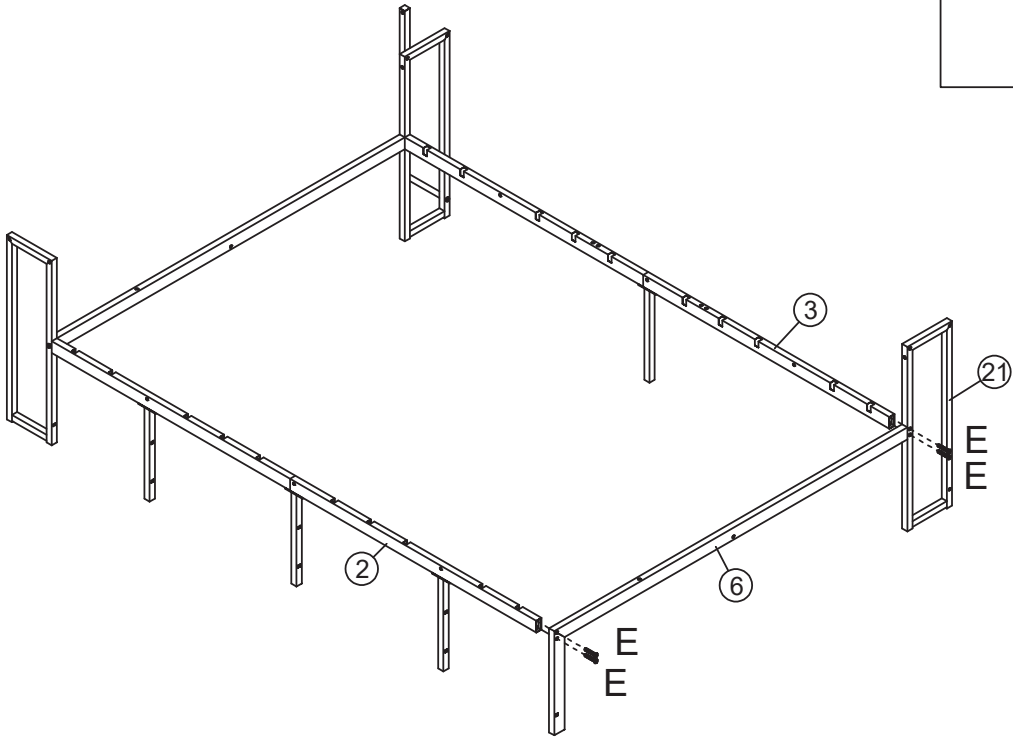
Step 6

E

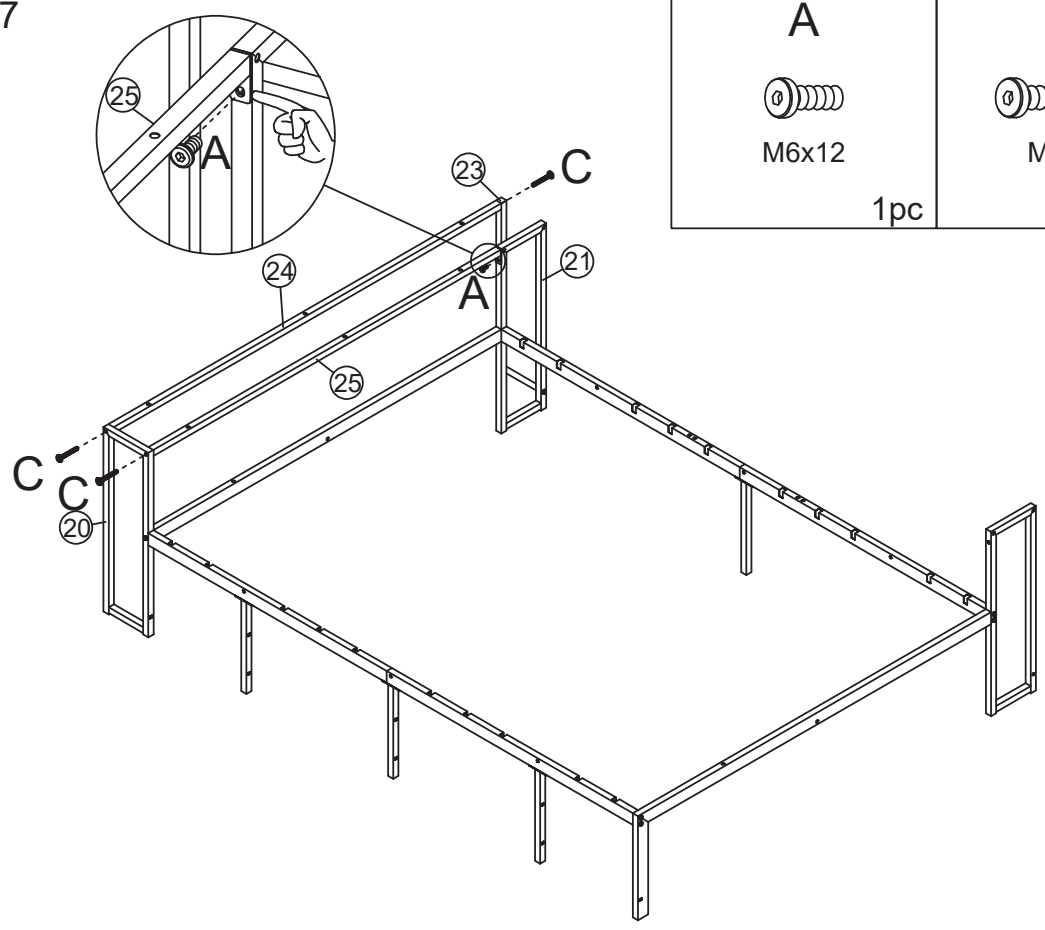



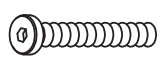
M8x40

4pcs

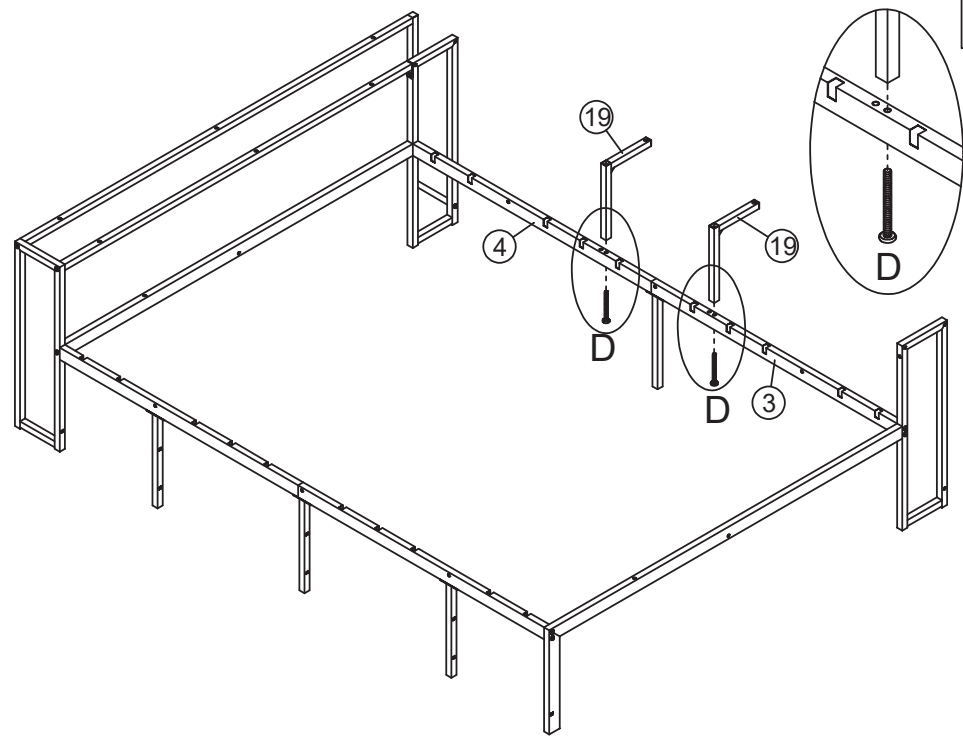


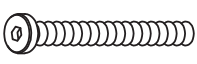
Step 7



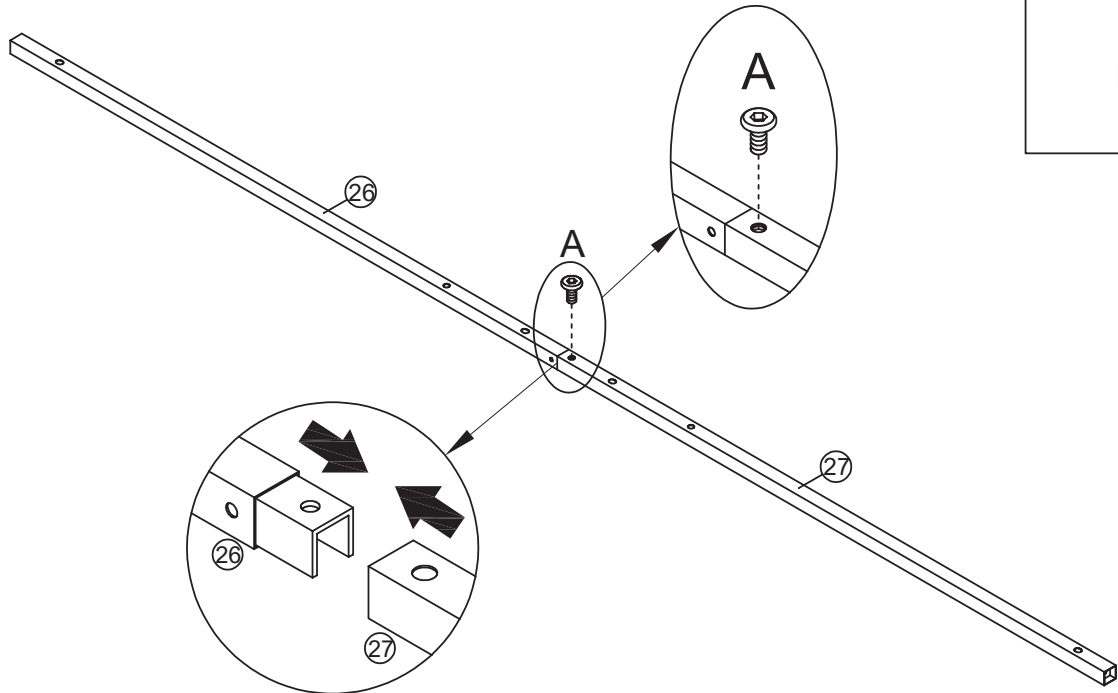
<p><b>A</b></p>  <p>M6x12</p> <p>1pc</p>	<p><b>C</b></p>  <p>M6x40</p> <p>3pcs</p>
-----------------------------------------------------------------------------------------------------------------------------	------------------------------------------------------------------------------------------------------------------------------

Step 8



<p><b>D</b></p>  <p>M6x60</p> <p>2pcs</p>
--------------------------------------------------------------------------------------------------------------------------------

Step 9



A

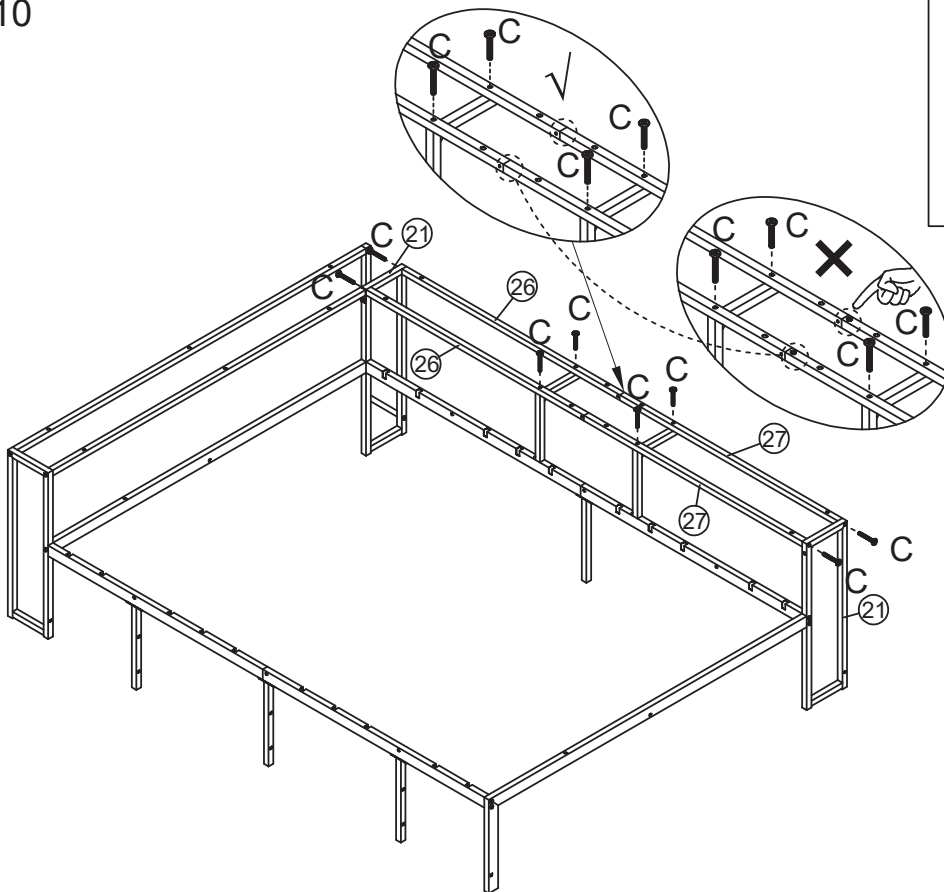


M6x12

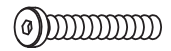
2pcs

x2

Step 10



C



M6x40

8pcs

Step 11

J



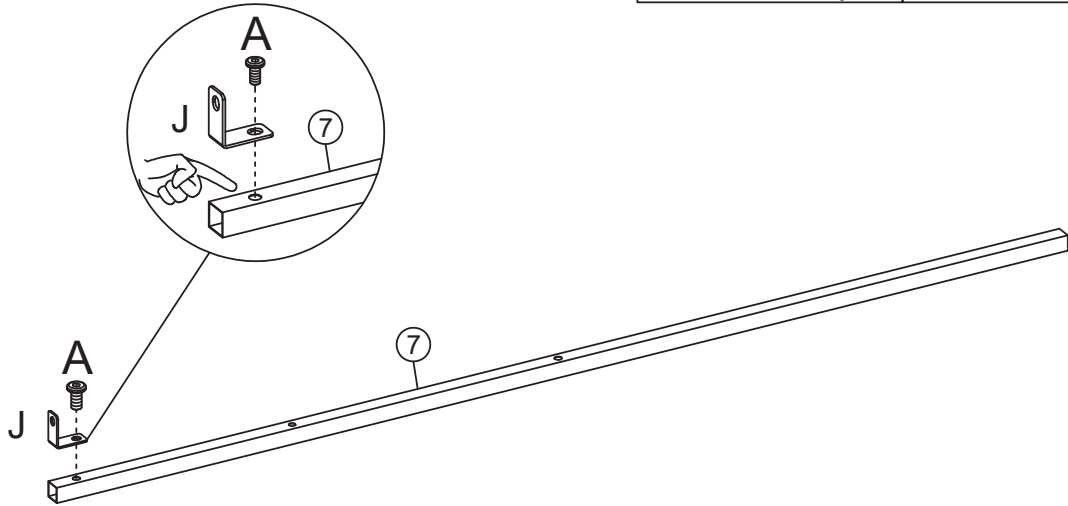
3pcs

A



M6x12

3pcs



x3

Step 12

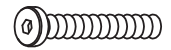
A



M6x12

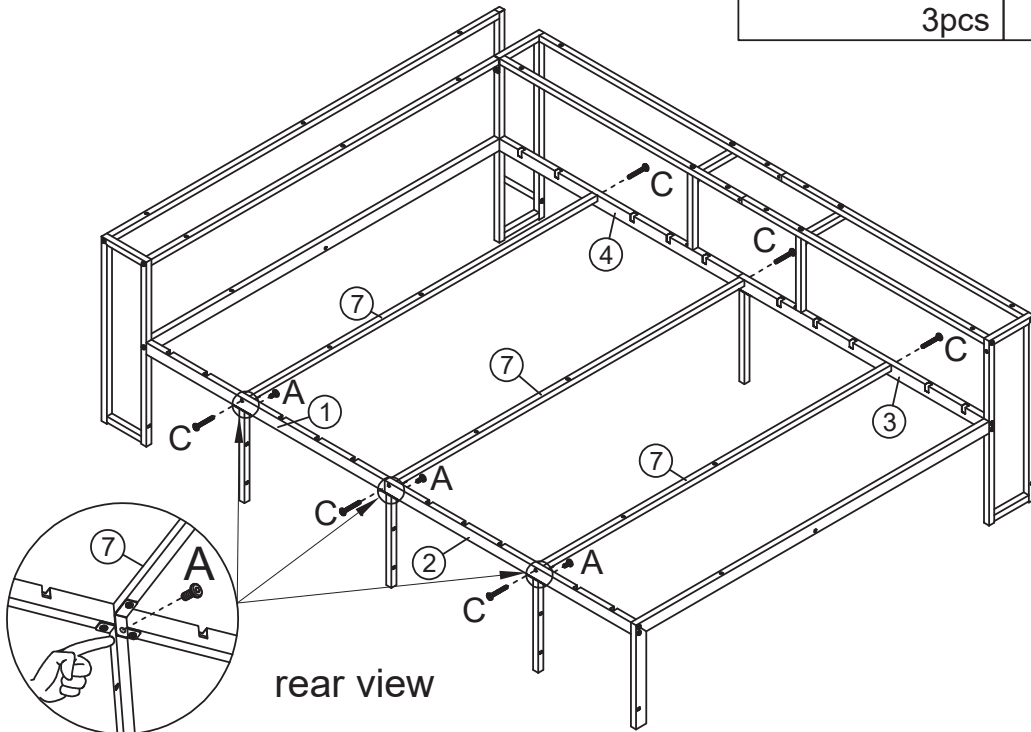
3pcs

C

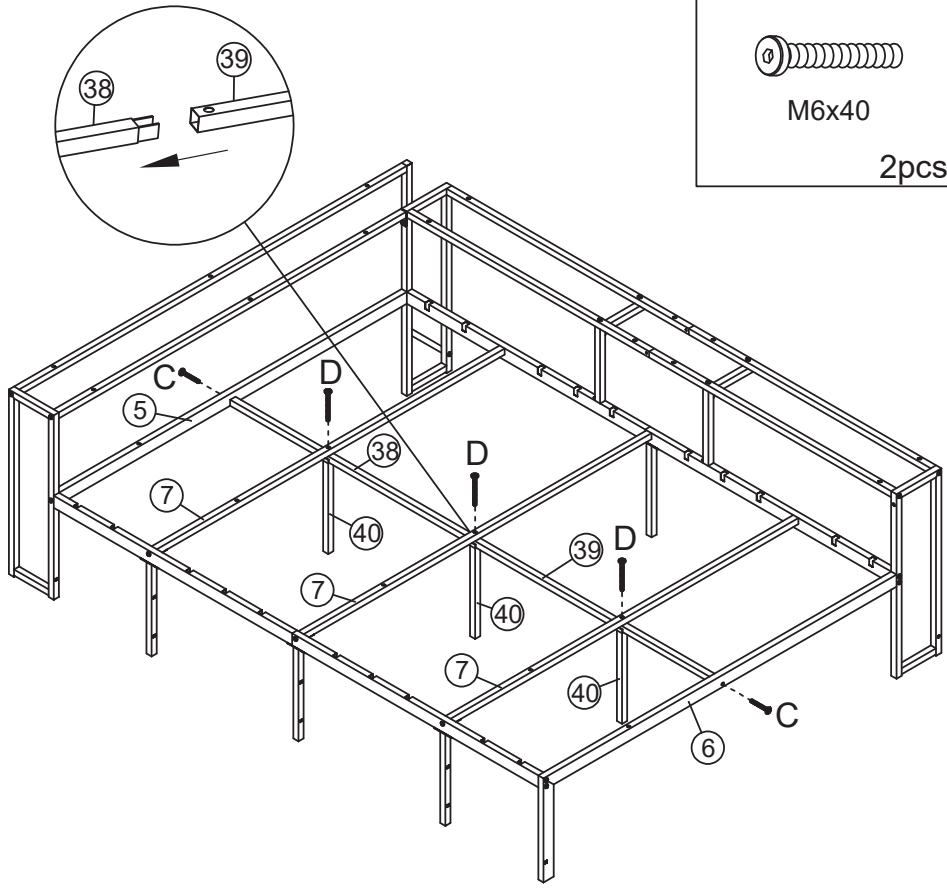


M6x40

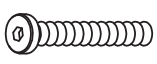
6pcs



Step 13




**C**



M6x40

2pcs

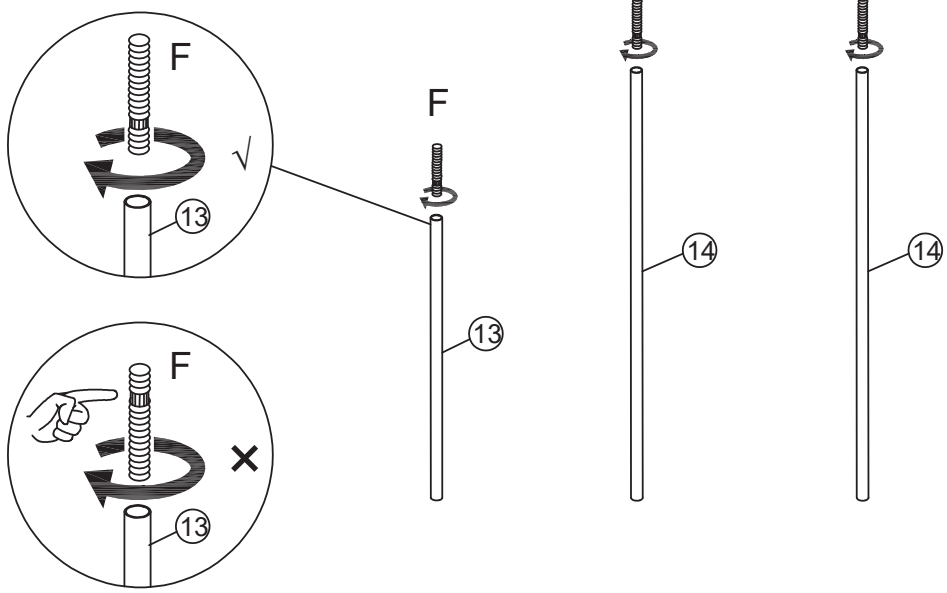
**D**




M6x60

3pcs

Step 14



**F**



M6x50

3pcs

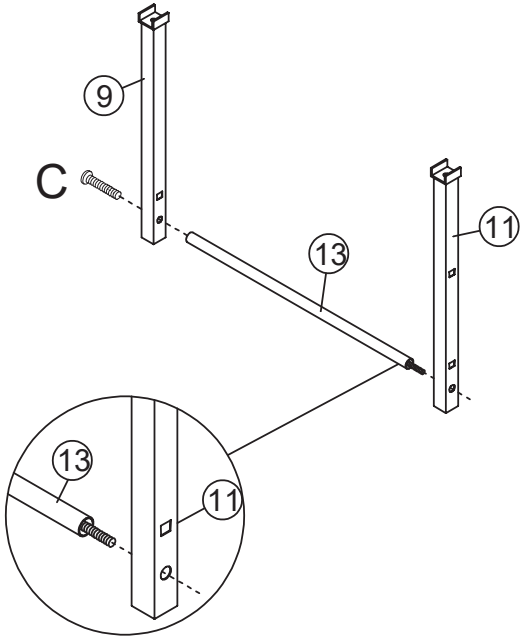
Step 15

C

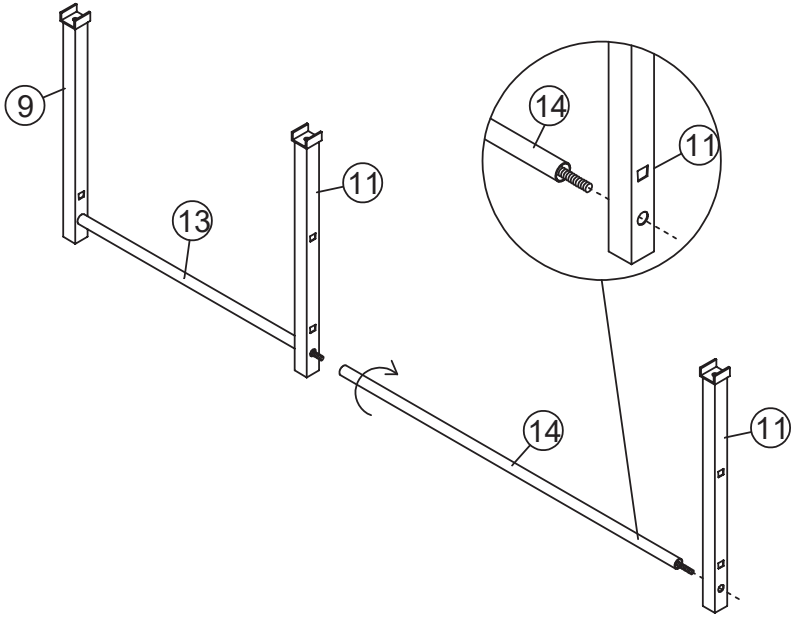


M6x40

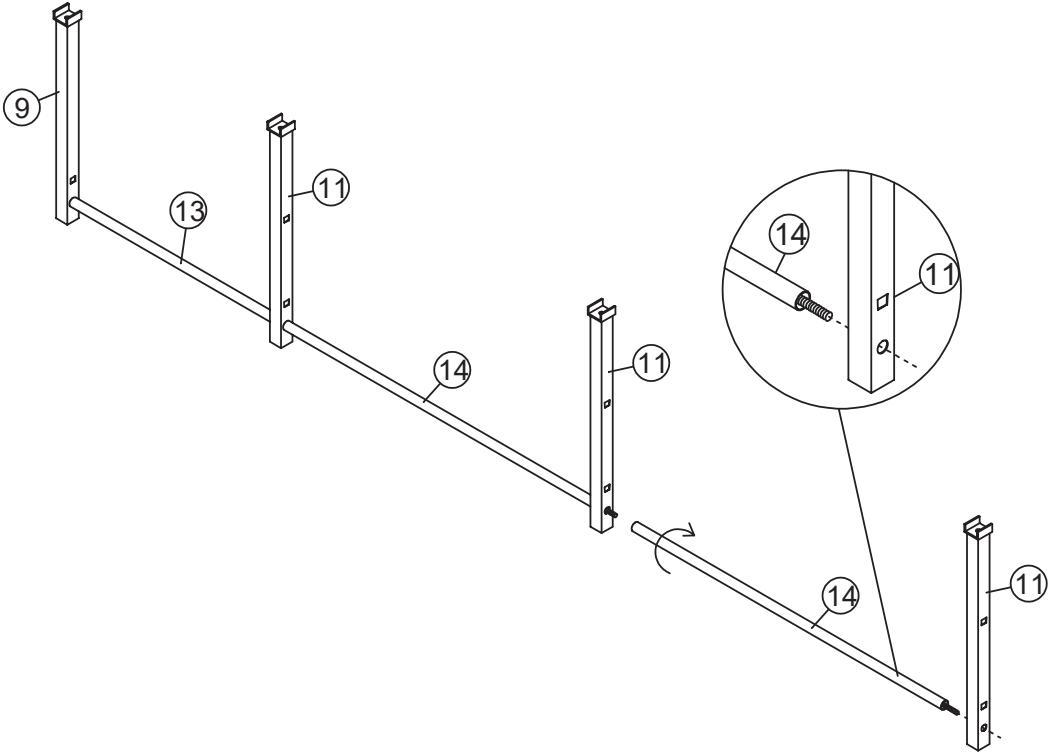
1pc



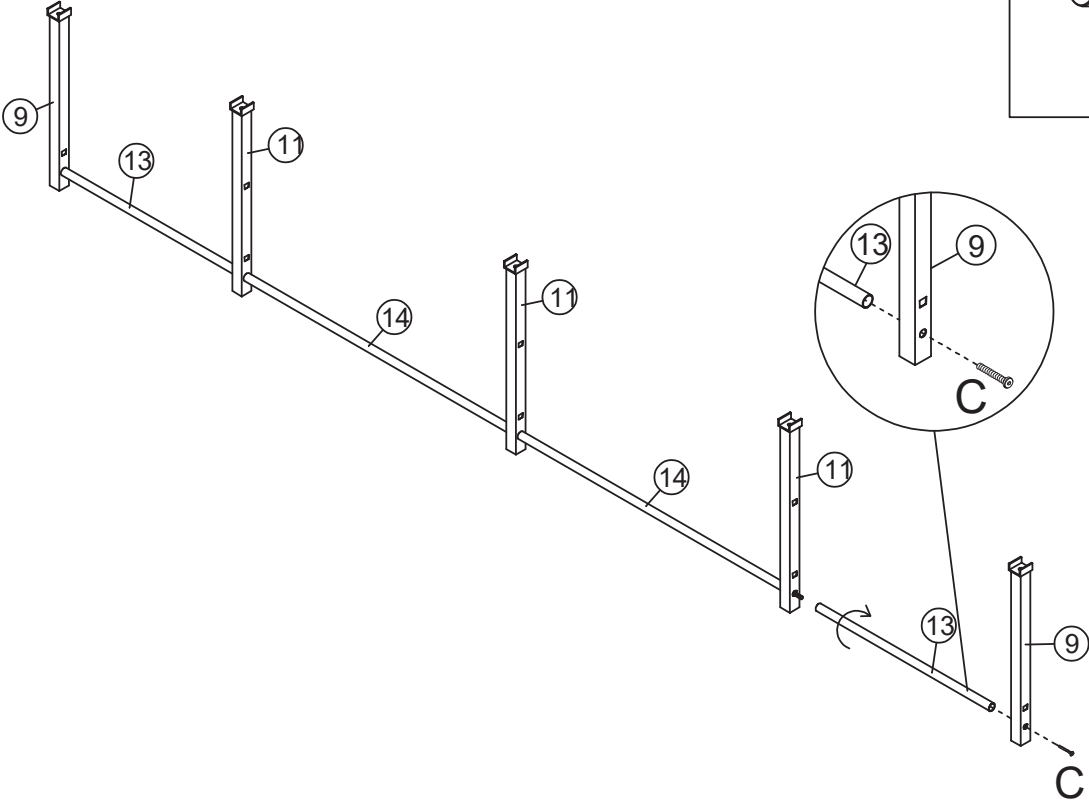
Step 16



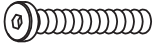
Step 17



Step 18



**C**

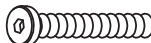


M6x40

1pc

Step 19

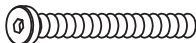
C



M6x40

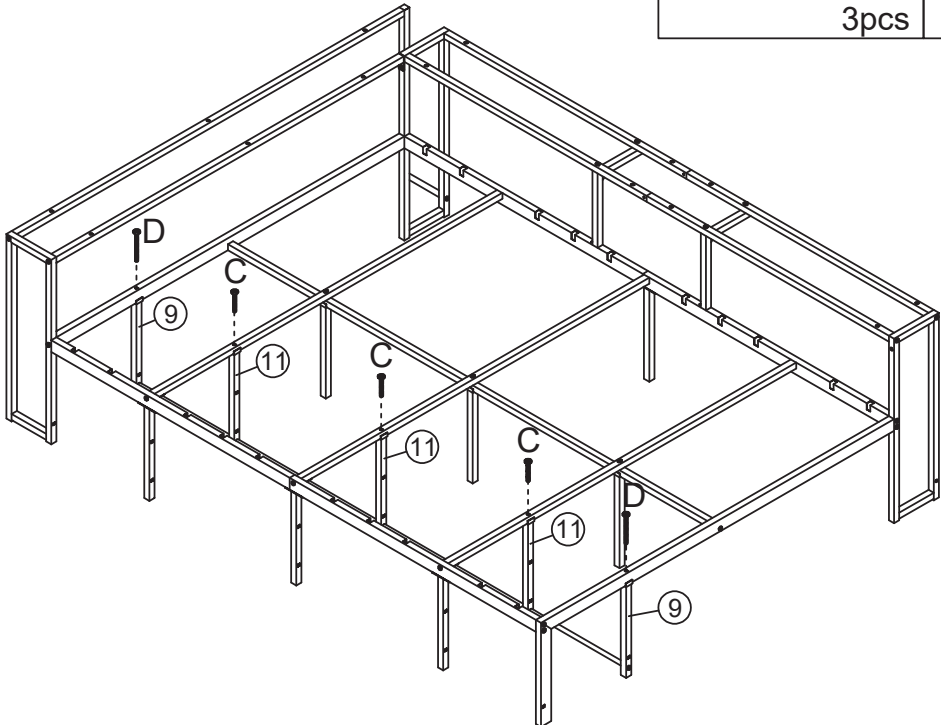
3pcs

D



M6x60

2pcs

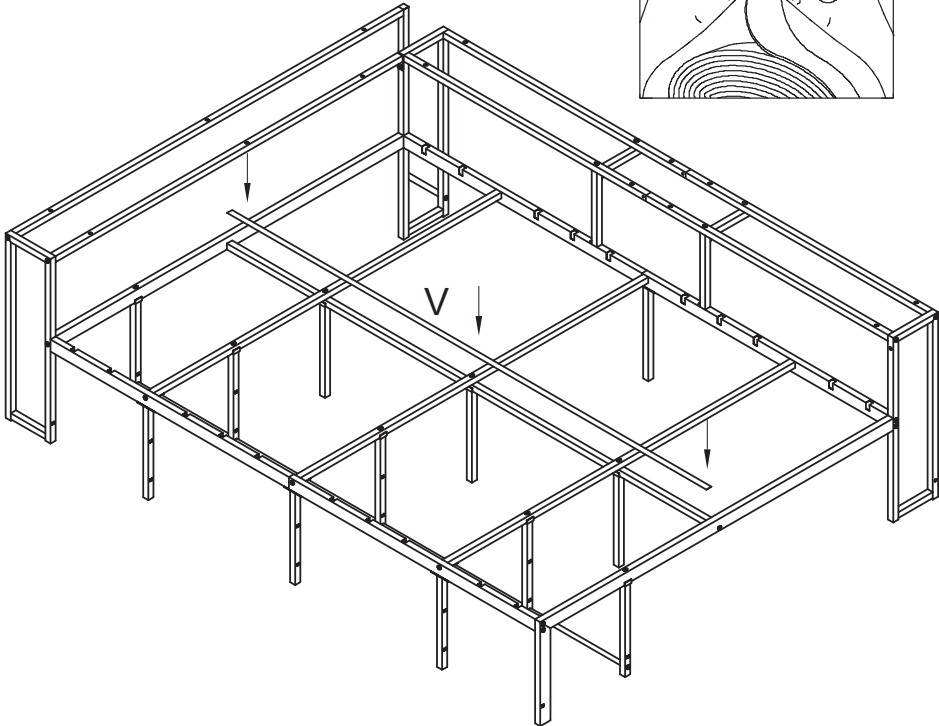
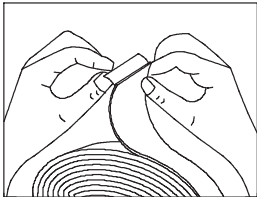


Step 20

V

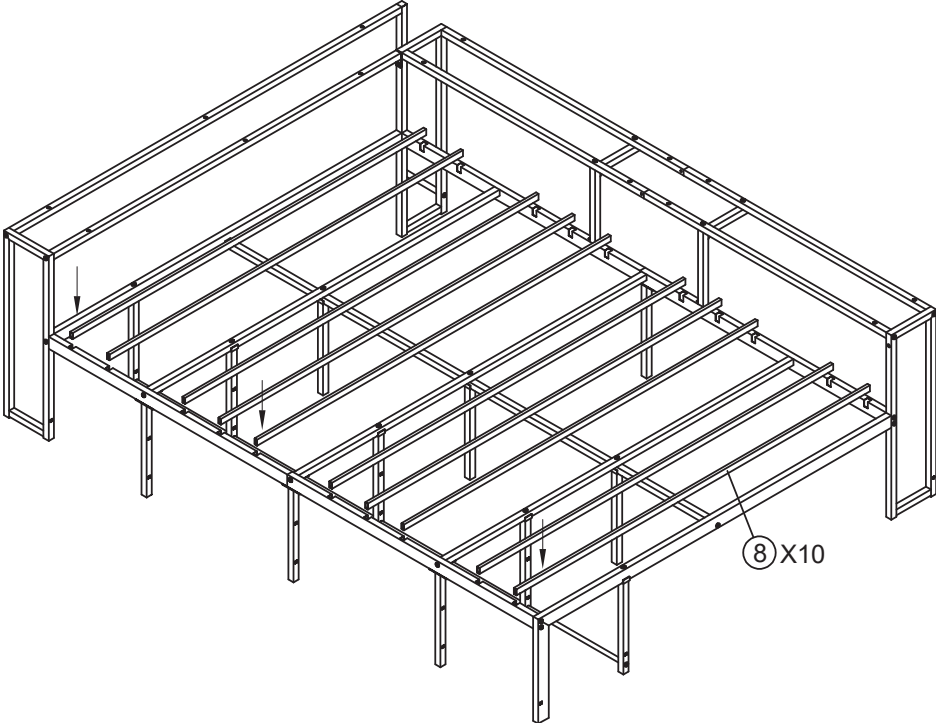


1pc




Step 21

Tighten all screws



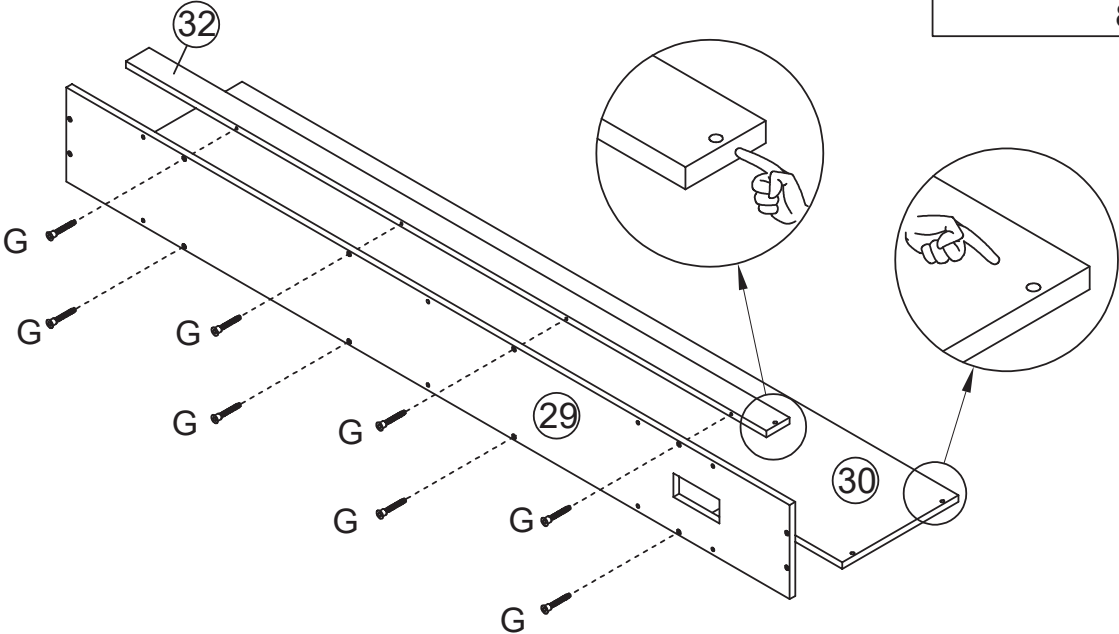
Step 22

G

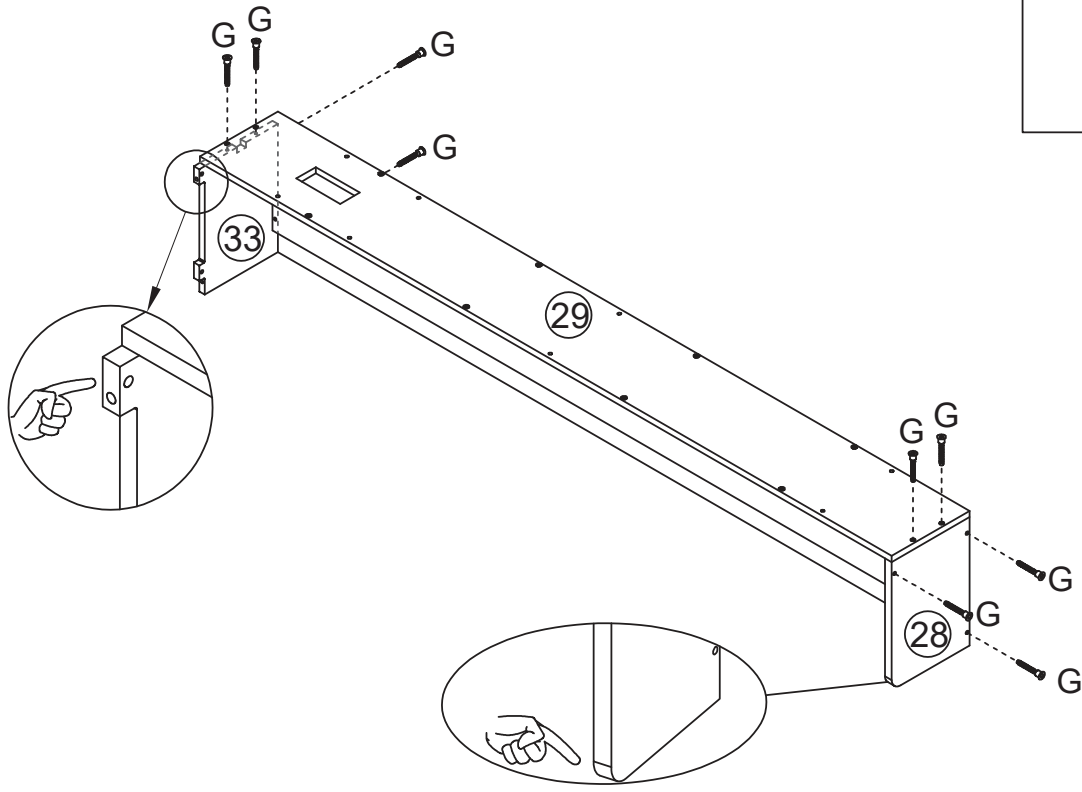


M5x38

8pcs



Step 23



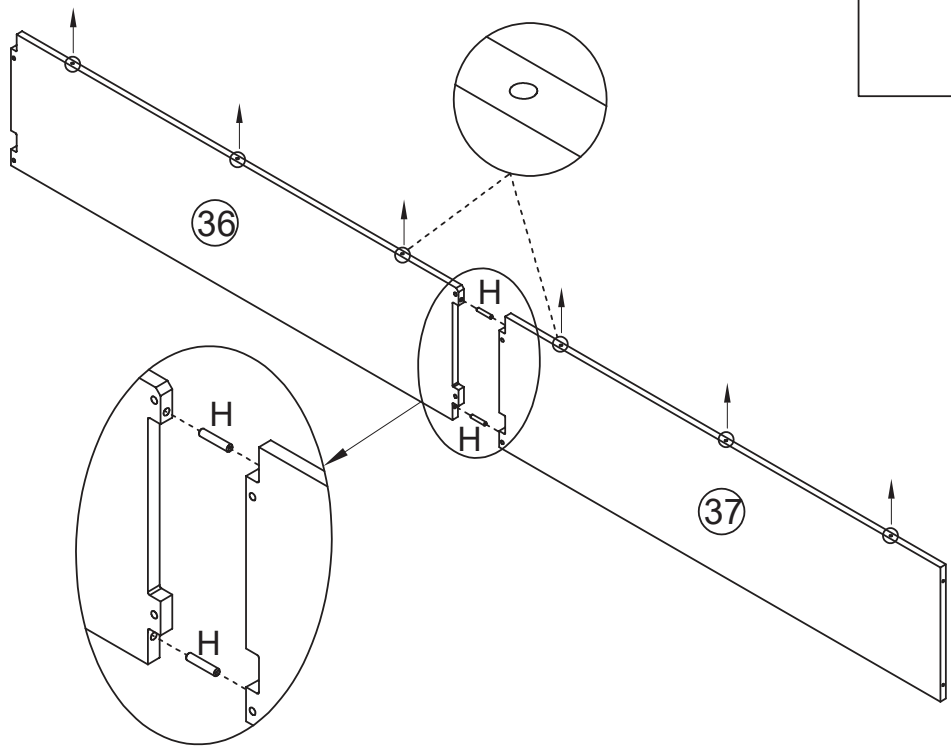
G



9pcs

Step 24

The hole faces up



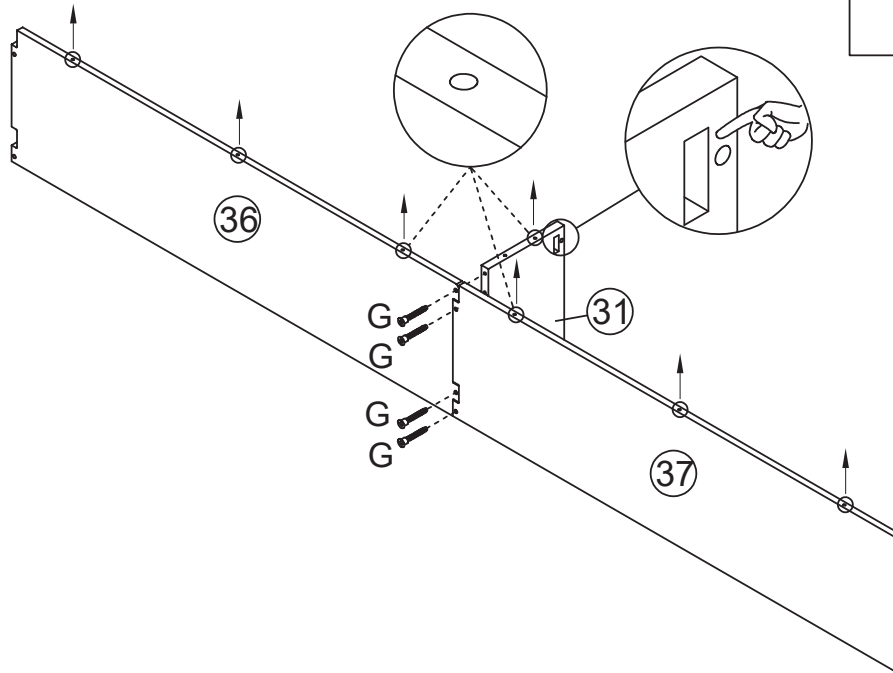
H



2pcs

Step 25

The hole faces up



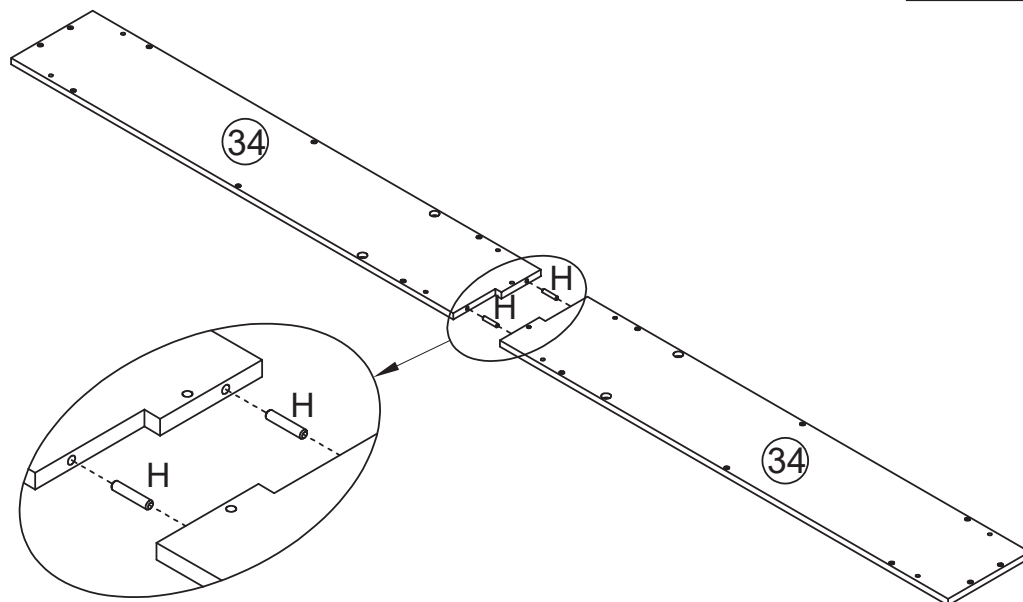
G



M5x38

4pcs

Step 26



H



Ø6x30

2pcs

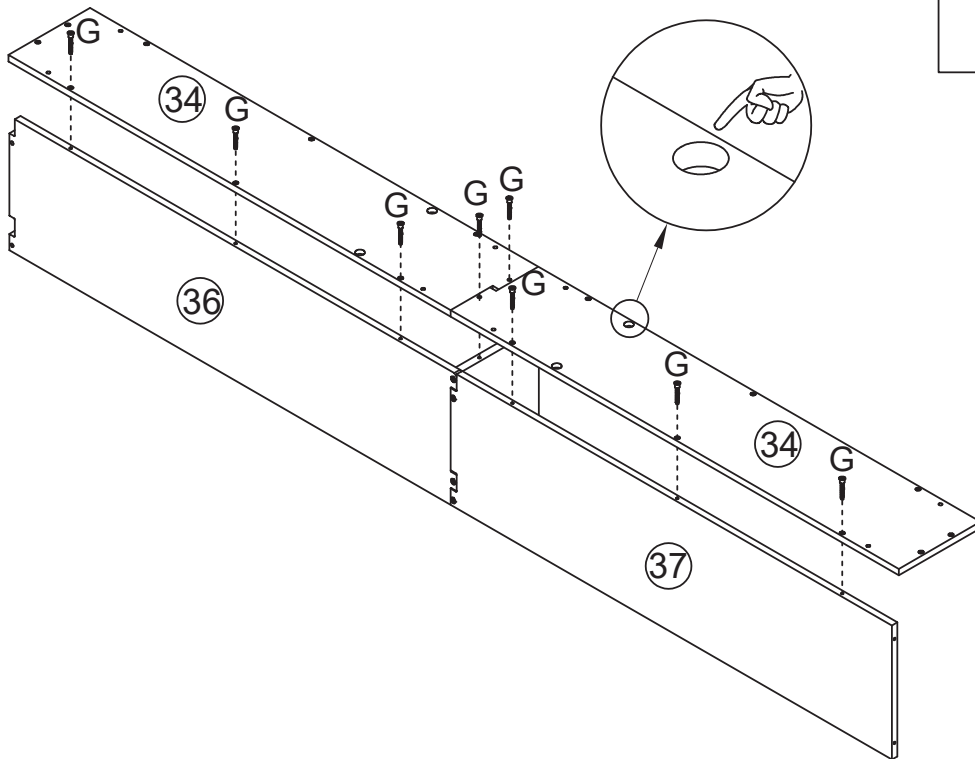
Step 27

G



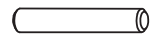
M5x38

8pcs



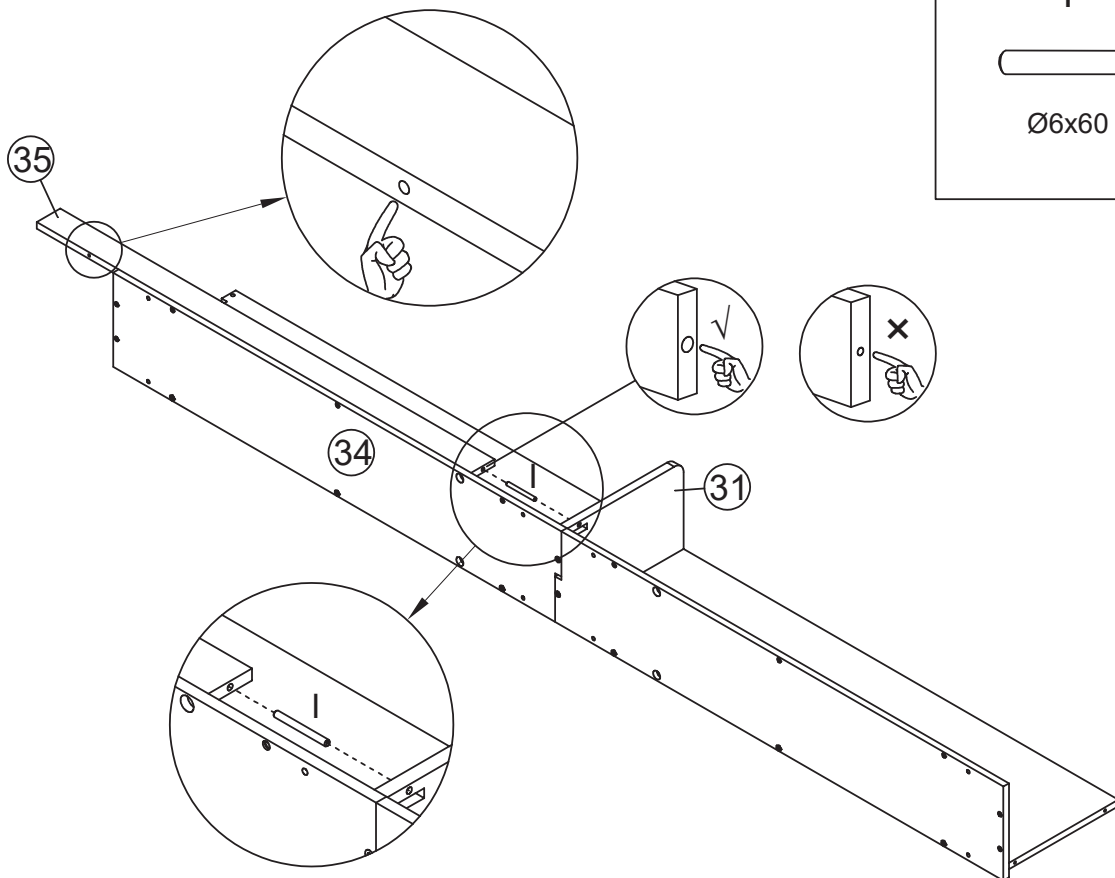
Step 28

I



Ø6x60

1pc

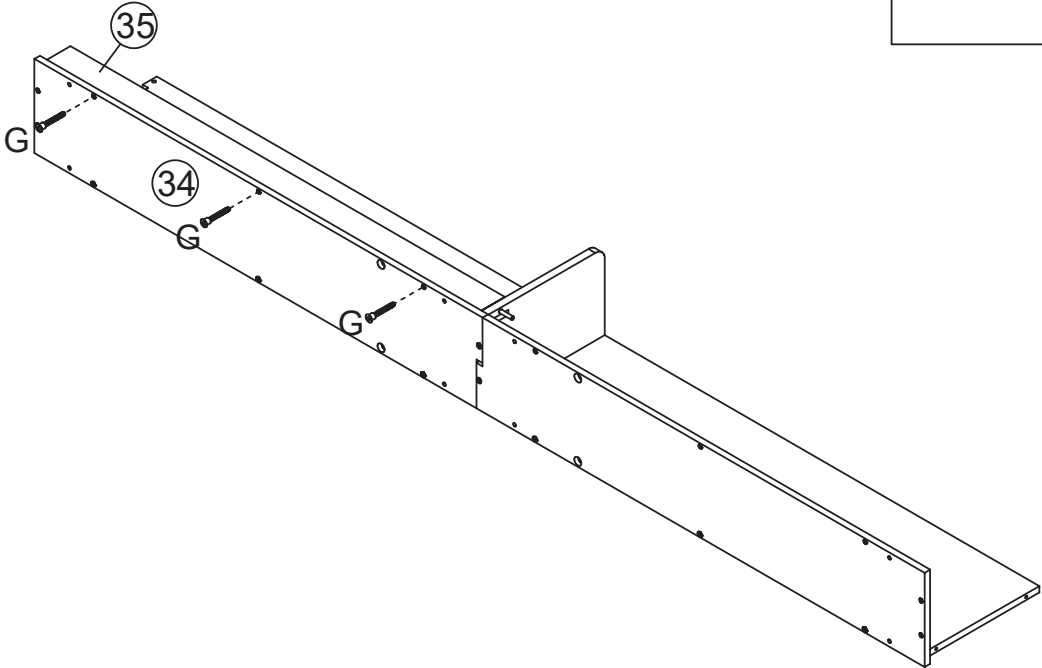


Step 29

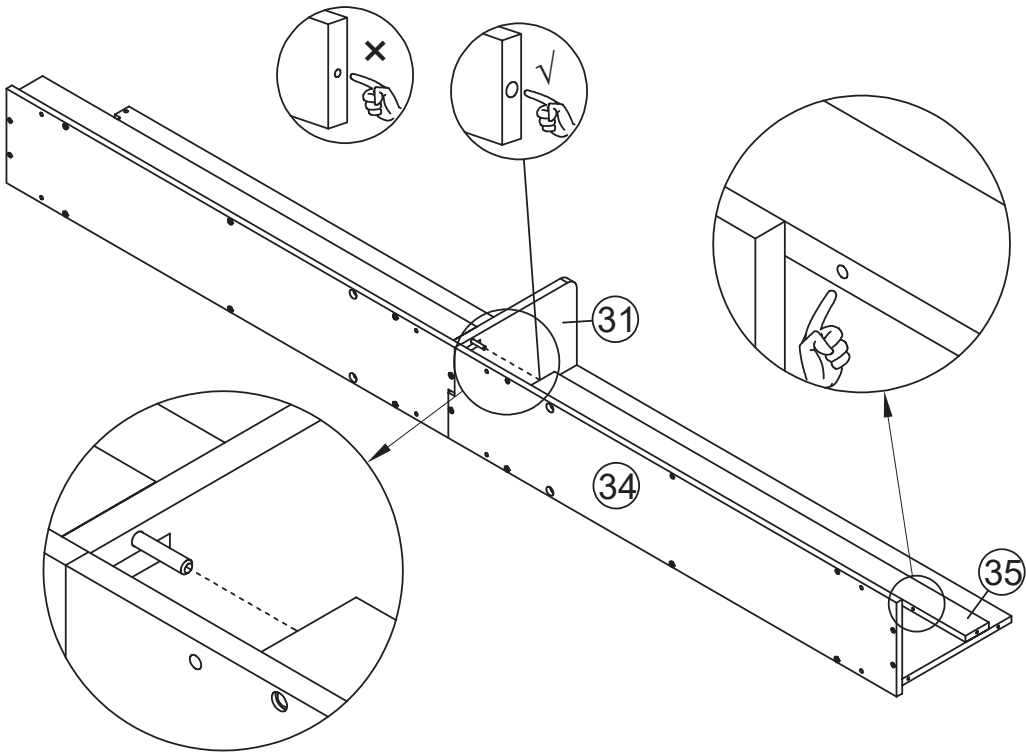
G



3pcs



Step 30



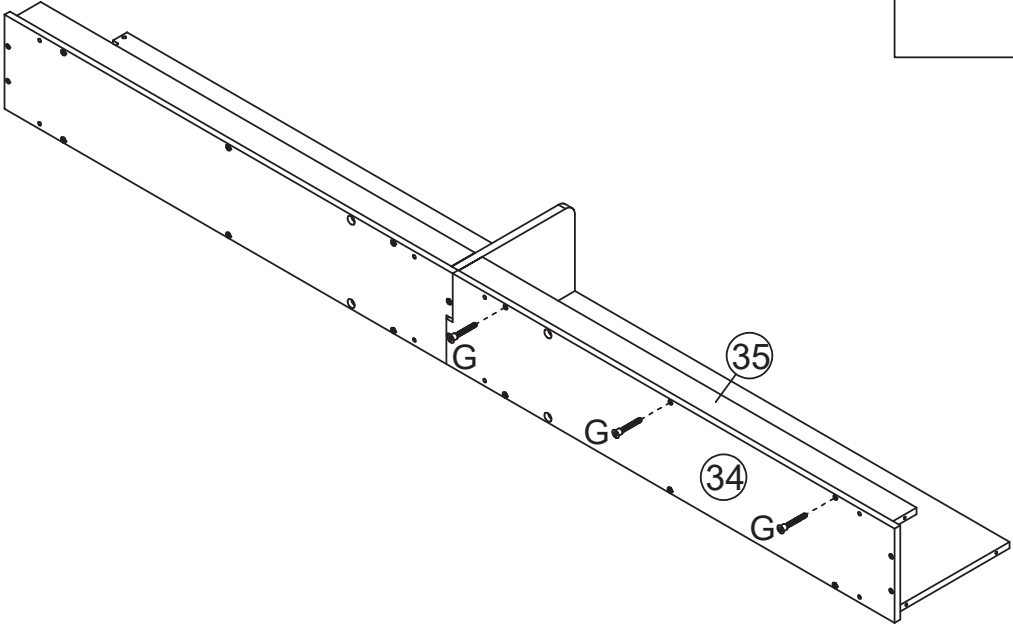
Step 31

G



M5x38

3pcs



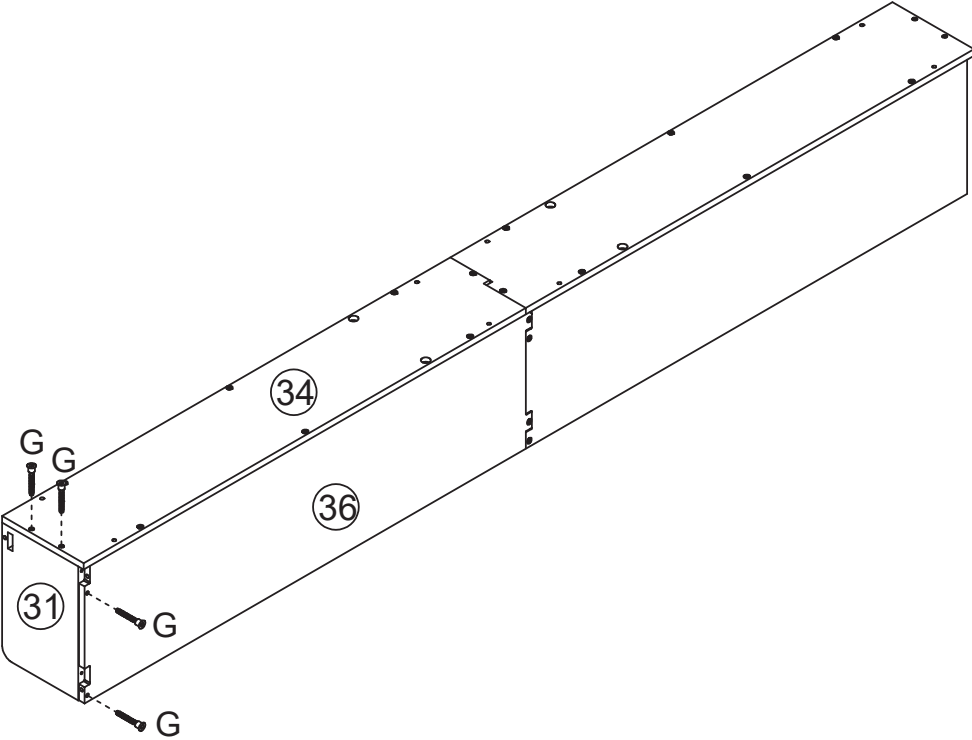
Step 32

G



M5x38

4pcs



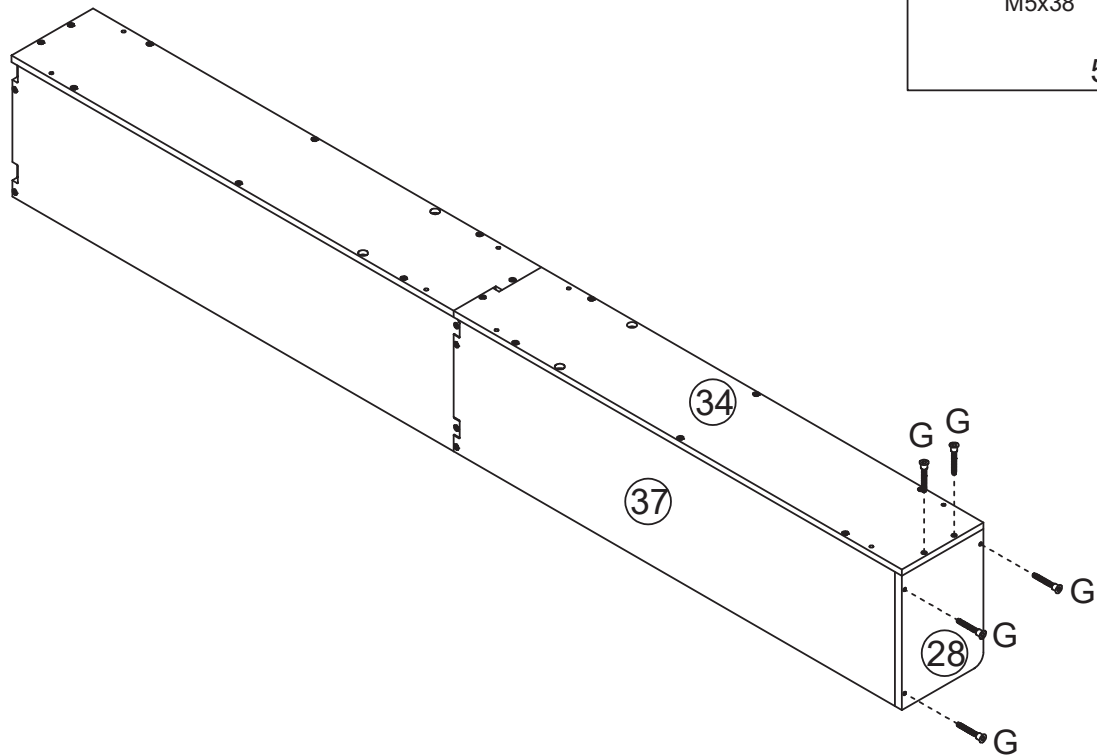
### Step 33

G



M5x38

5pcs



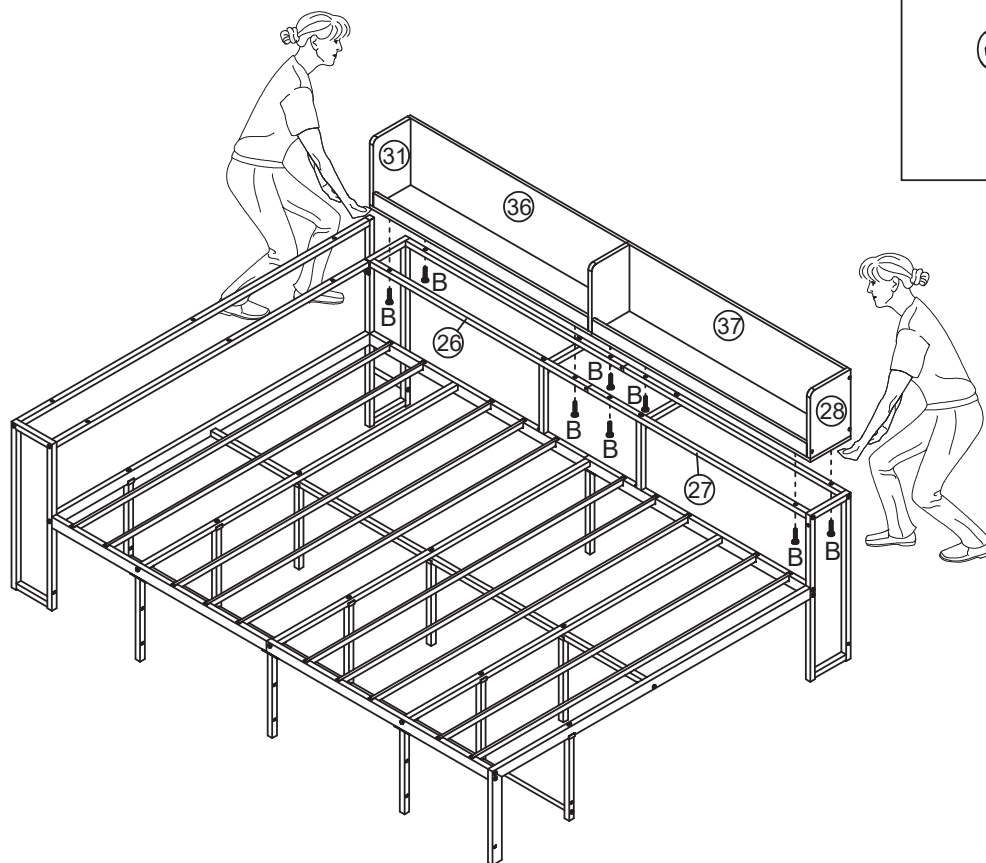
### Step 34

B



M6x28

8pcs



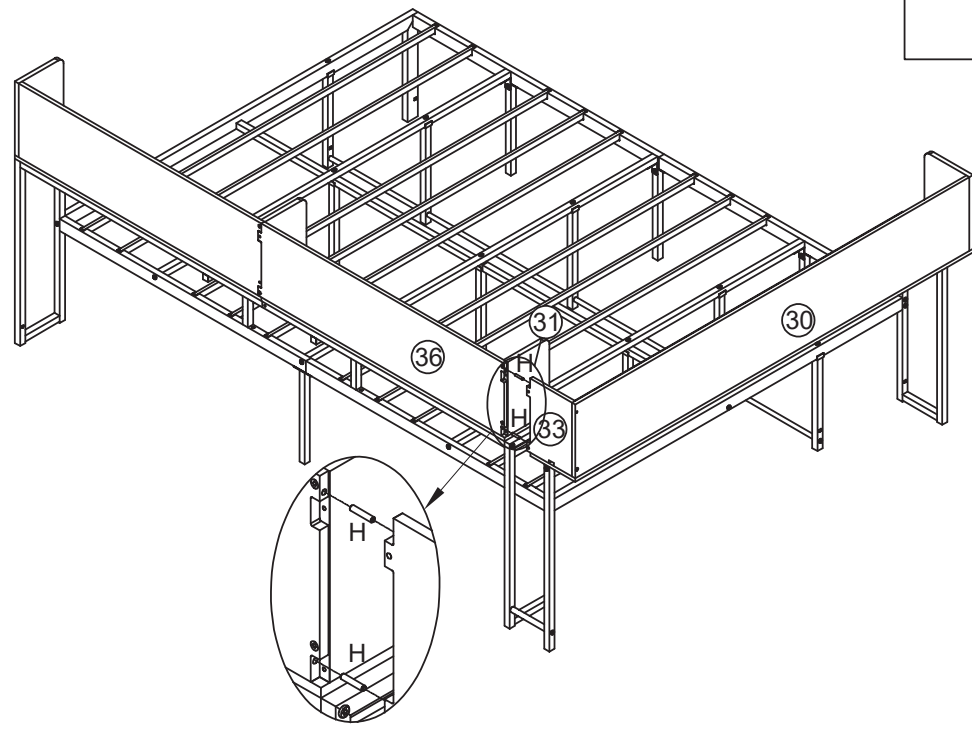
Step 35

H



Ø6x30

2pcs



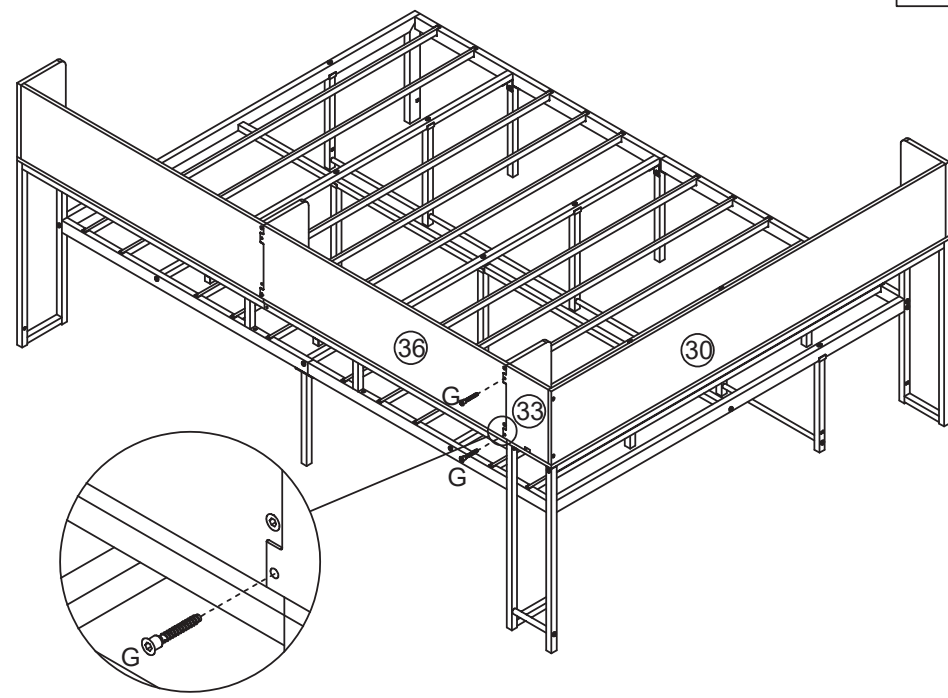
Step 36

G

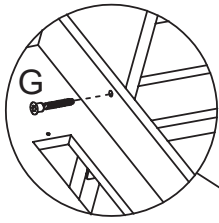




M5x38

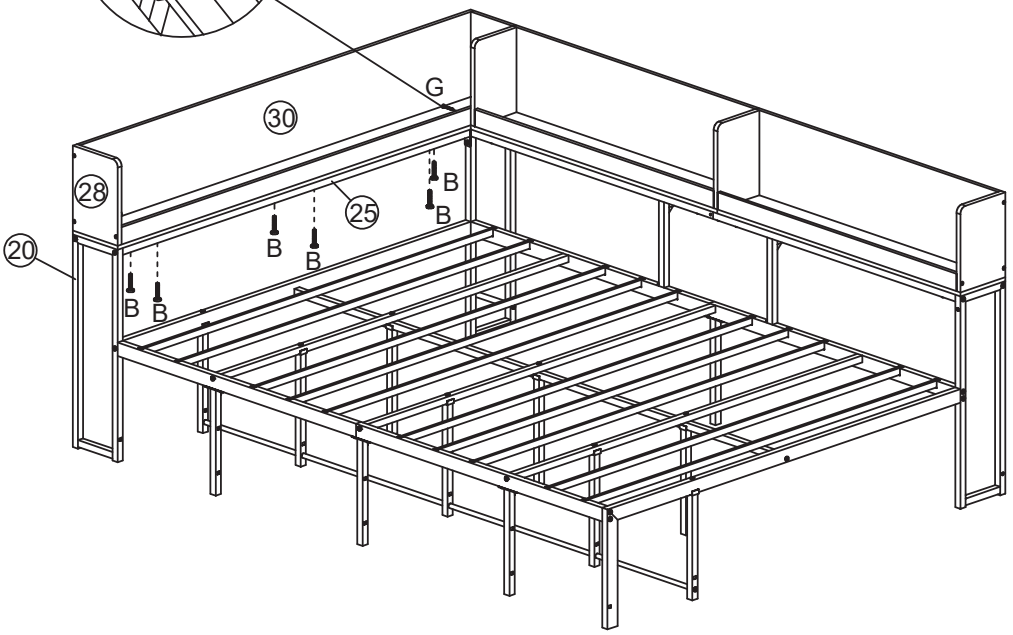
2pcs



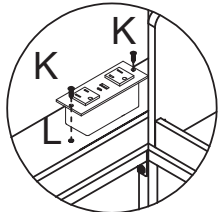
### Step 37

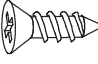
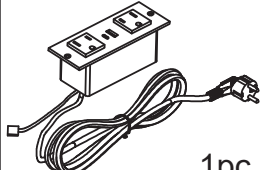


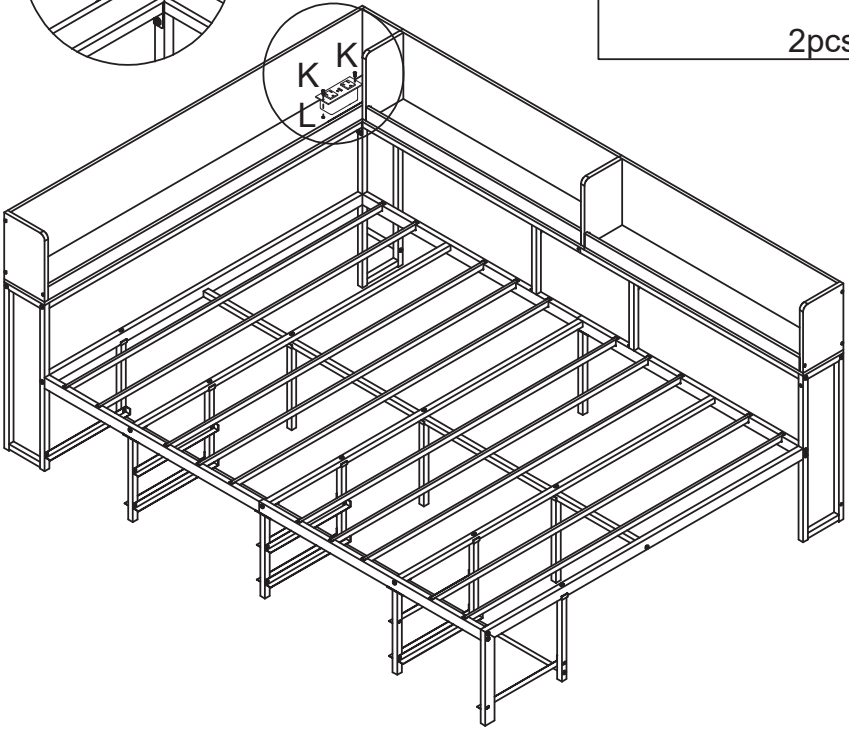
<b>B</b>  M6x28 6pcs	<b>G</b>  M5x38 1pc
------------------------------------------------------------------------------------------------------------------	-----------------------------------------------------------------------------------------------------------------



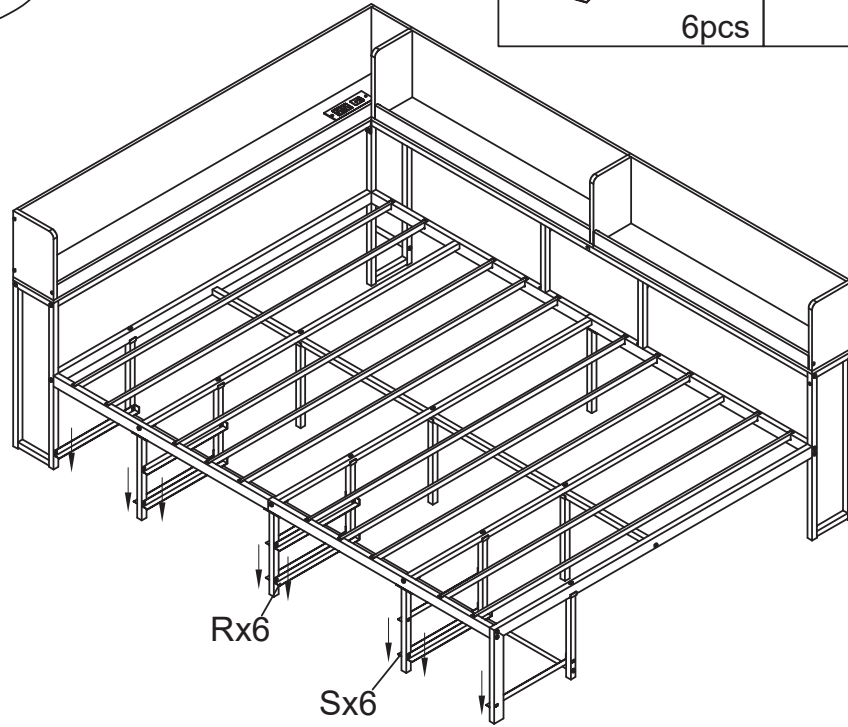
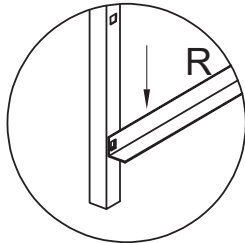
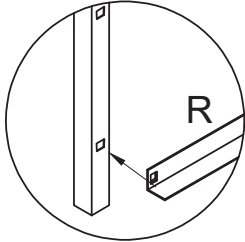
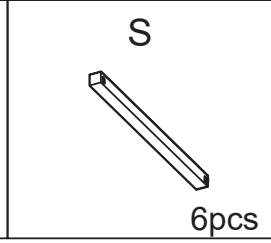
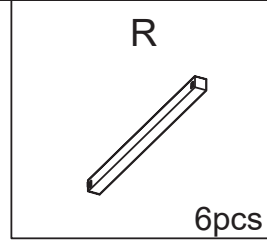
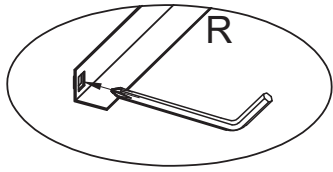
### Step 38



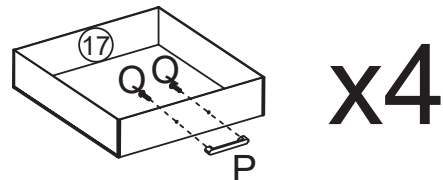
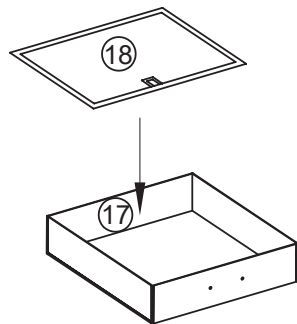
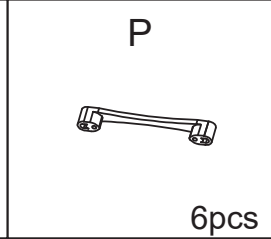
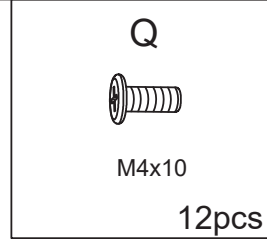
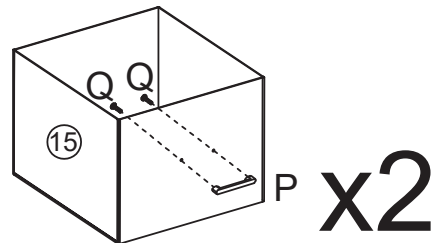
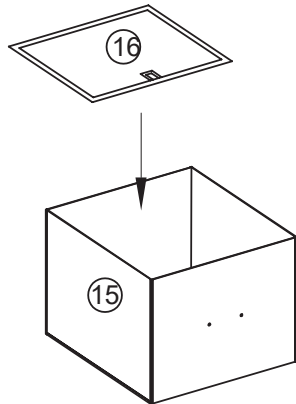
<b>K</b>  Ø3.5x12 2pcs	<b>L</b>  1pc
----------------------------------------------------------------------------------------------------------------------	----------------------------------------------------------------------------------------------------------



Step 39



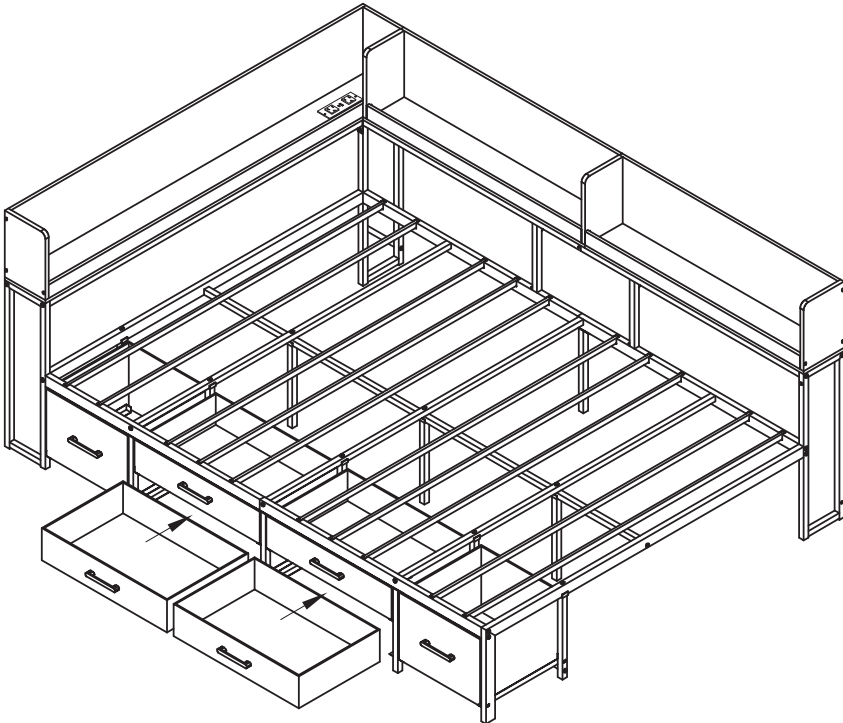
Step 40



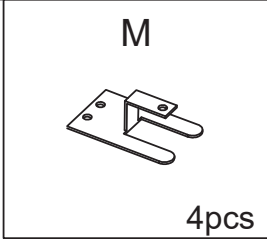
**x2**

**x4**

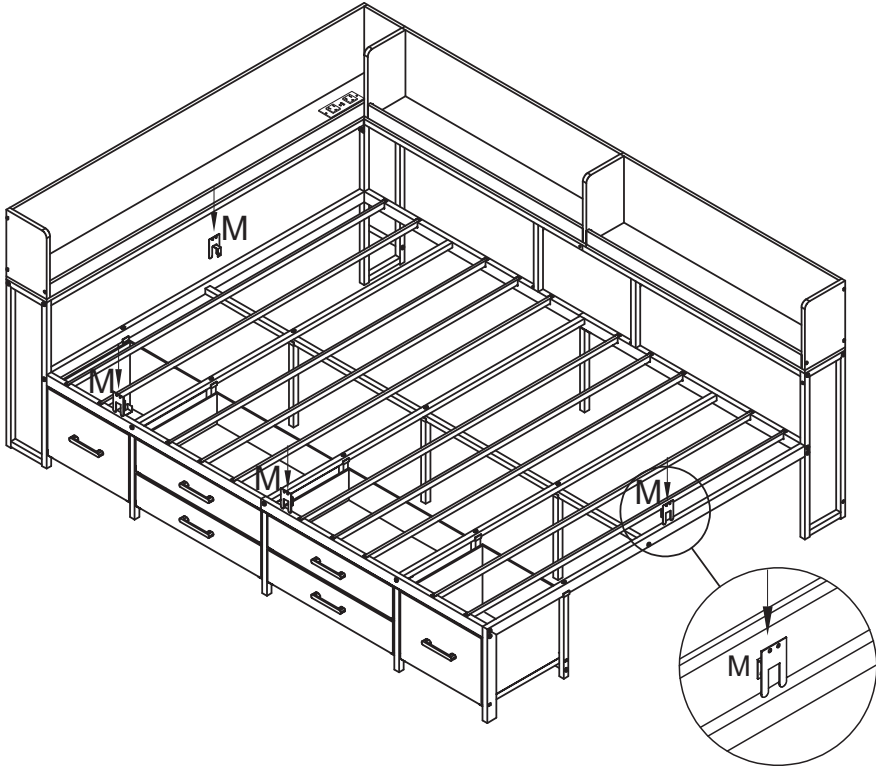
Step 41



Step 42

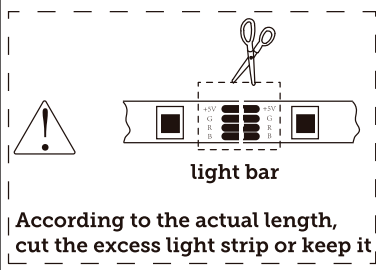
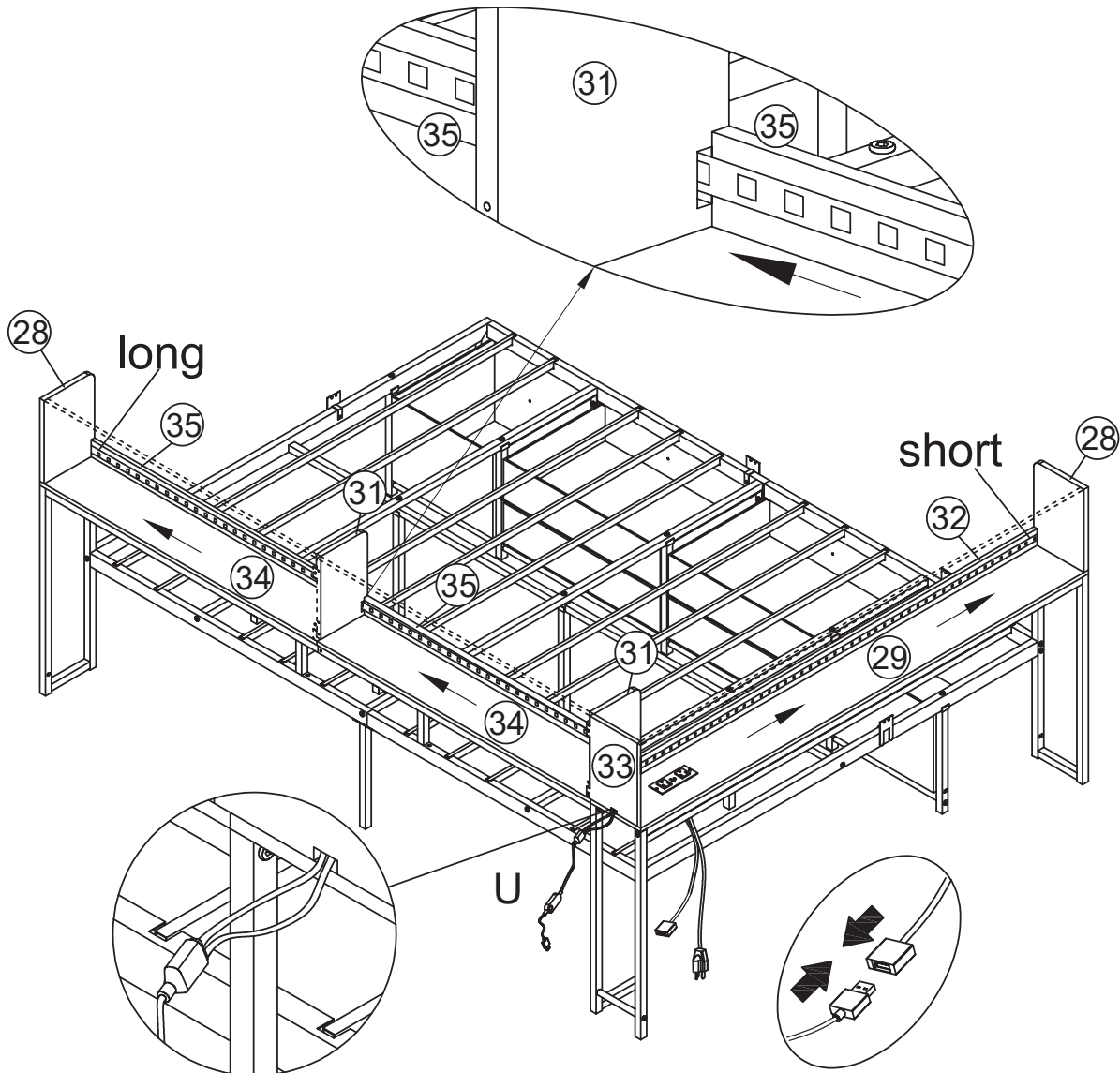
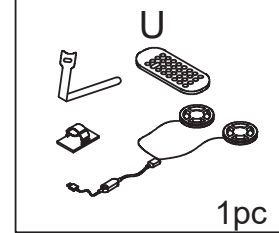


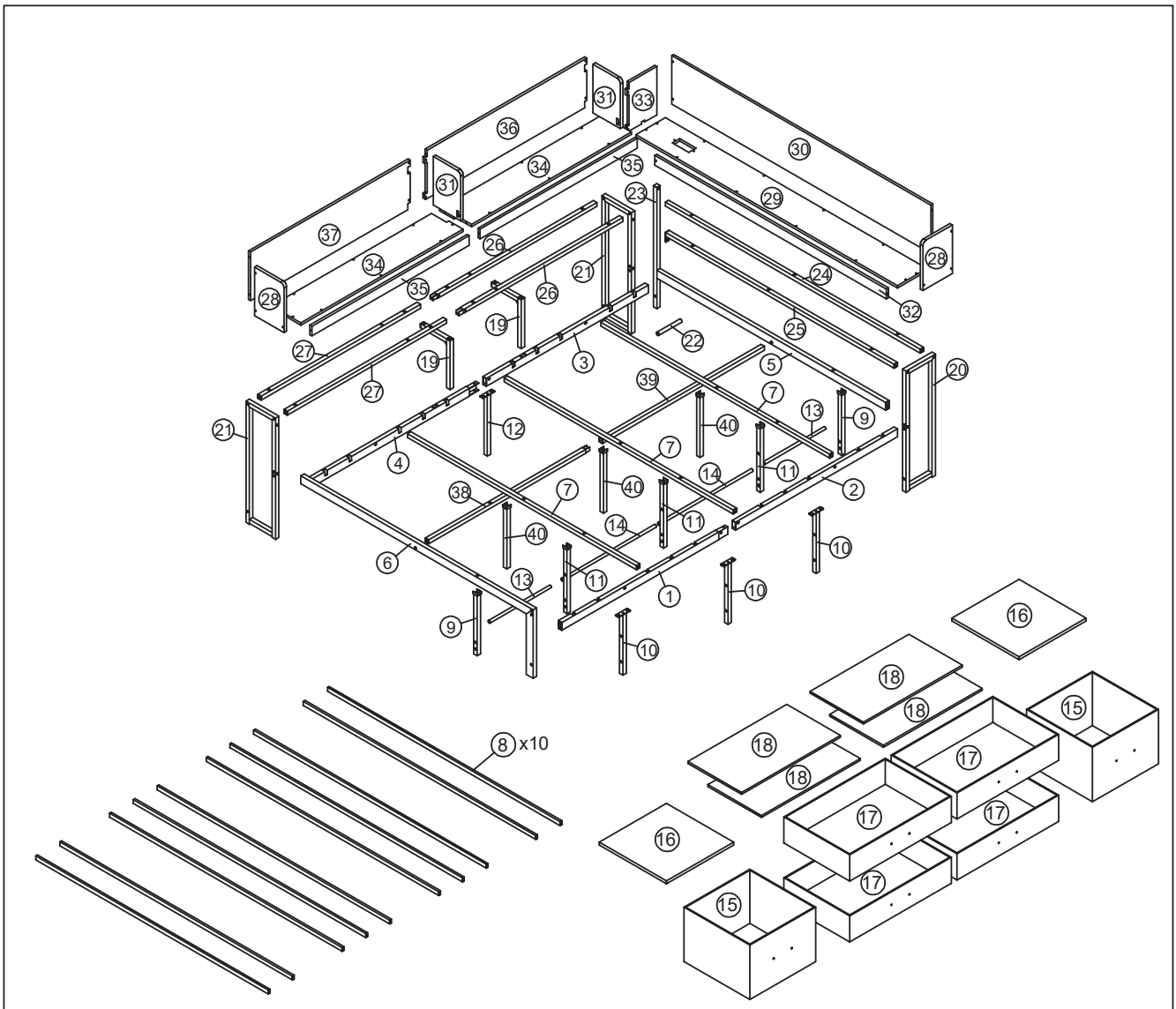
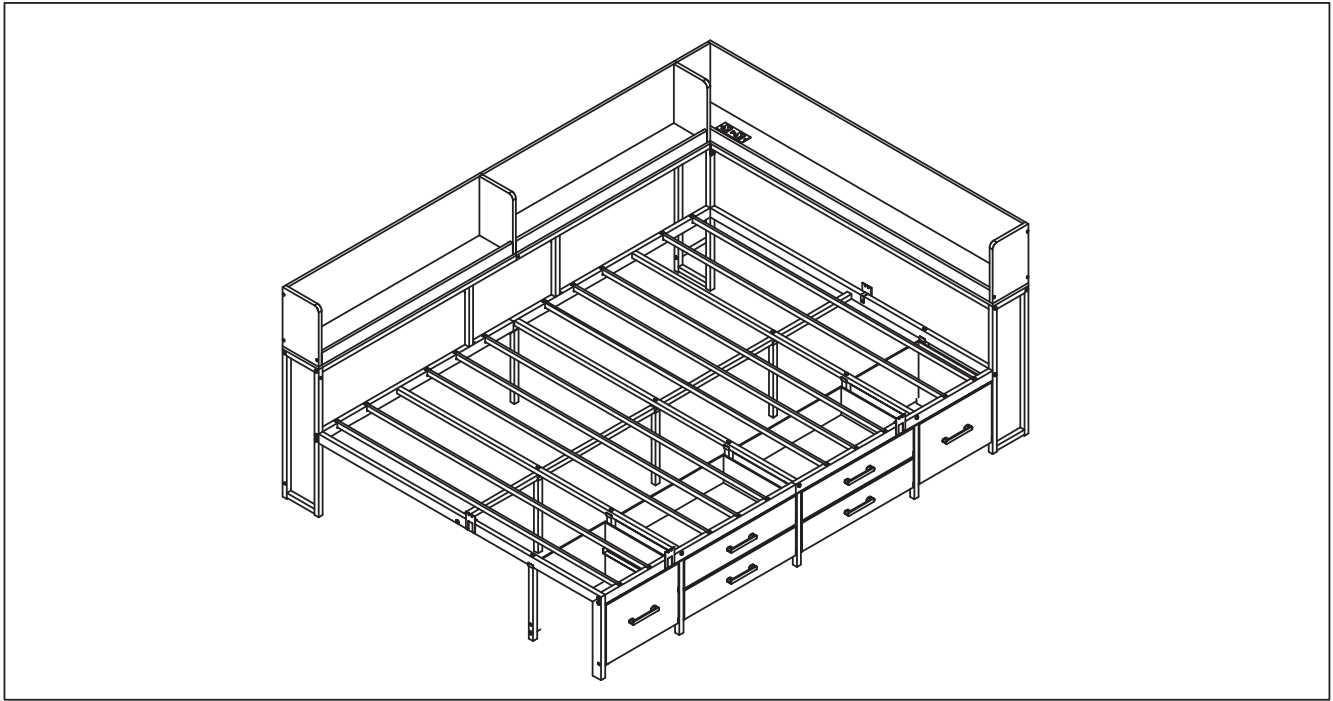
4pcs



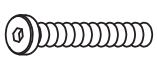
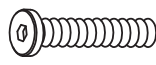
### Step 43

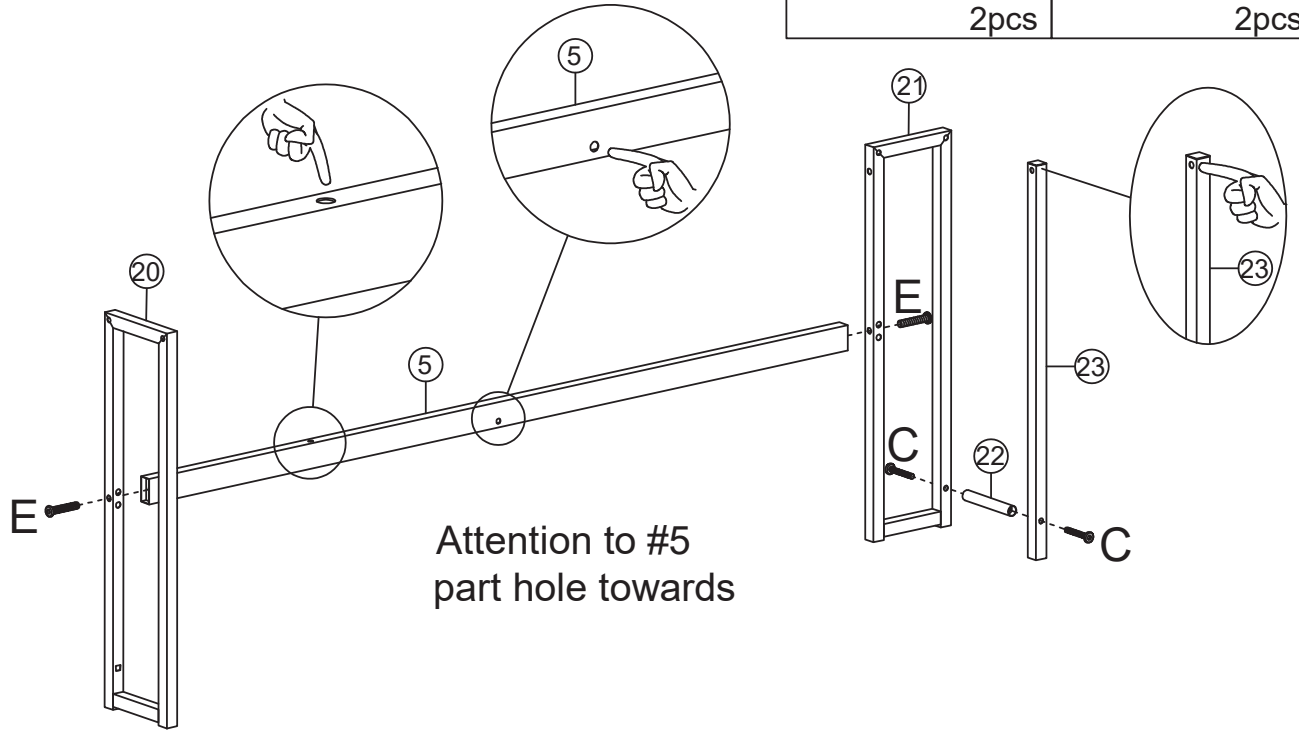
Feed the long light strip through the slots in the two Panel #31s, all the way to Panel #28. Then peel off its adhesive backing and stick it onto the two Panel #35s. For the short light strip, peel off its adhesive backing and stick it onto Panel #32. Finally, both light strips run through Panel #33.



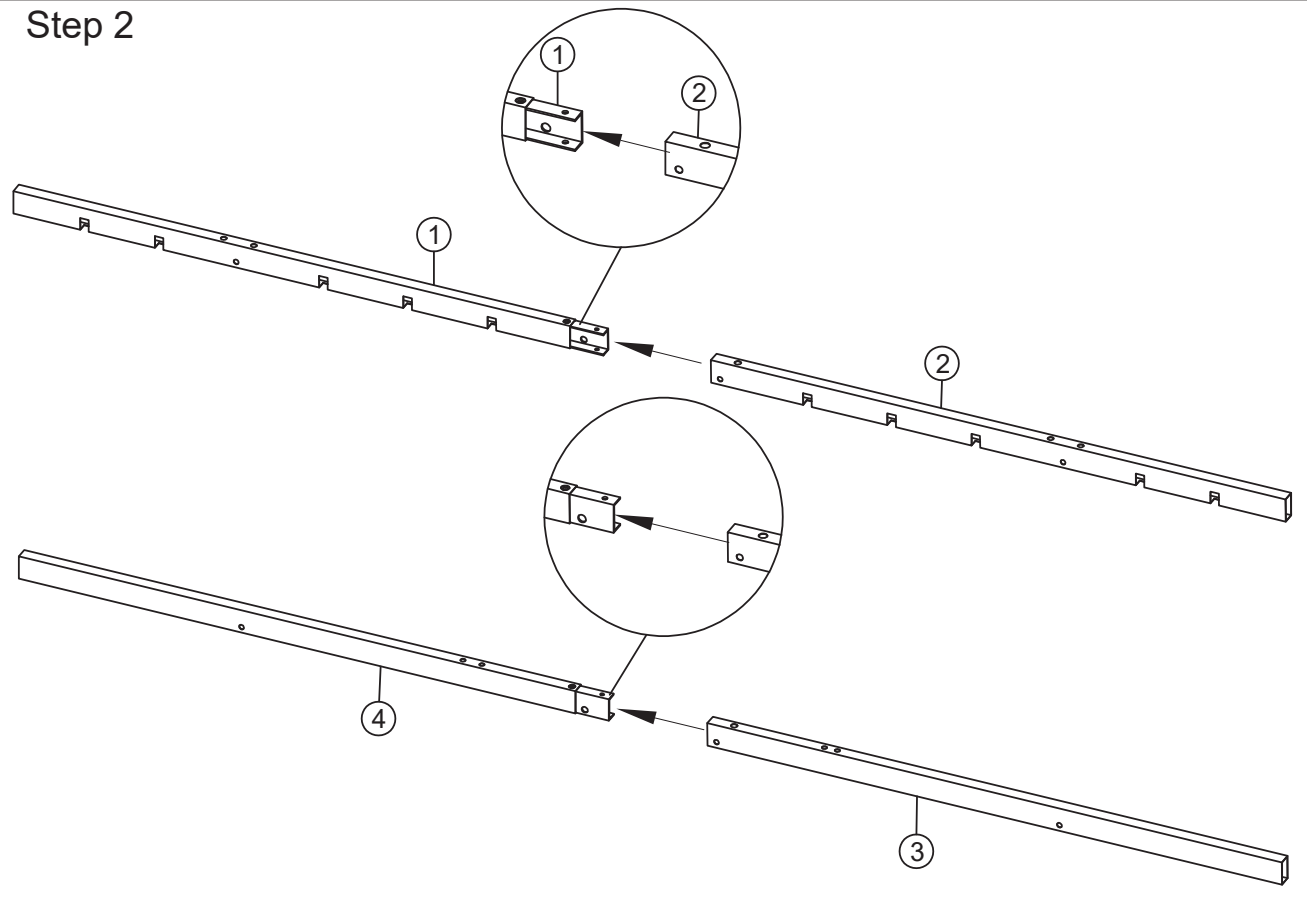


### Step 1

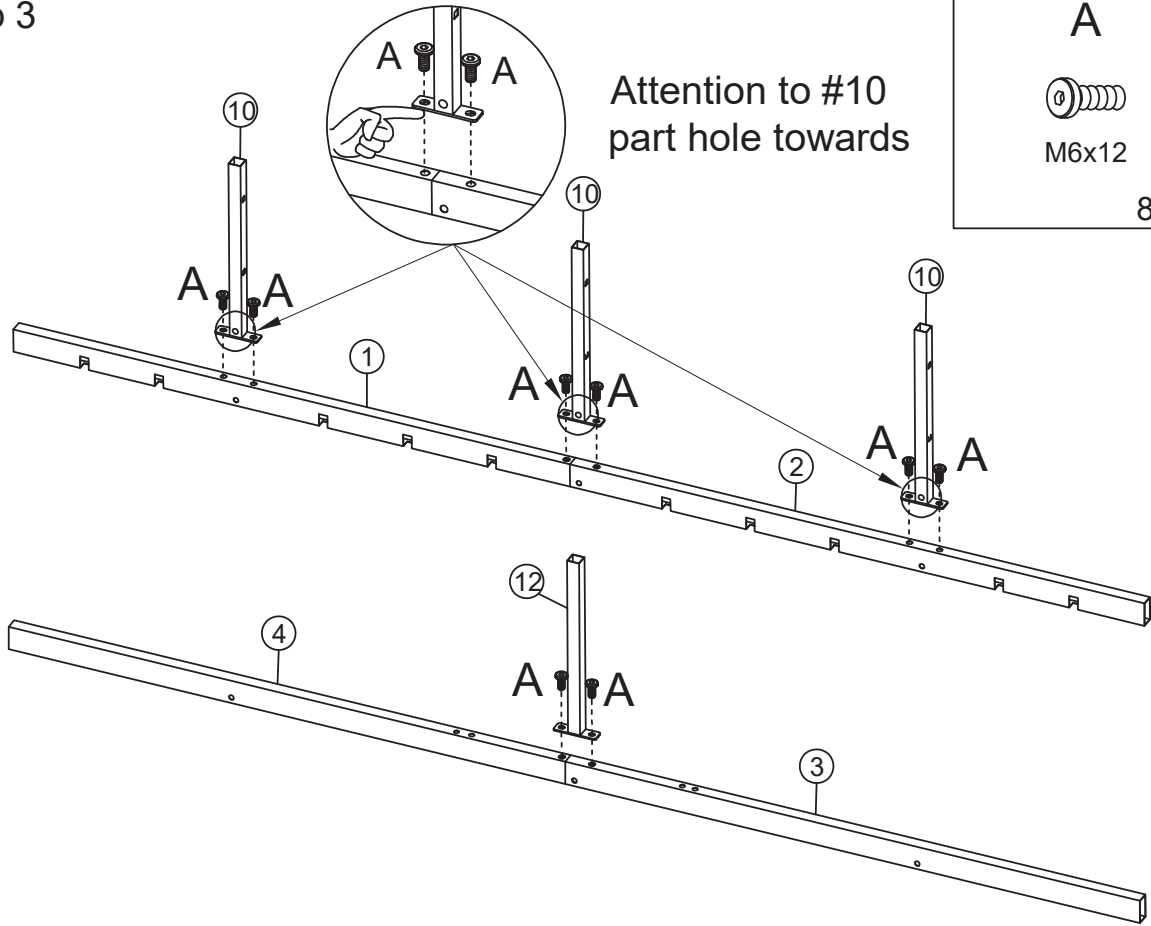
C	E
 M6x40	 M8x40
2pcs	2pcs



### Step 2



Step 3



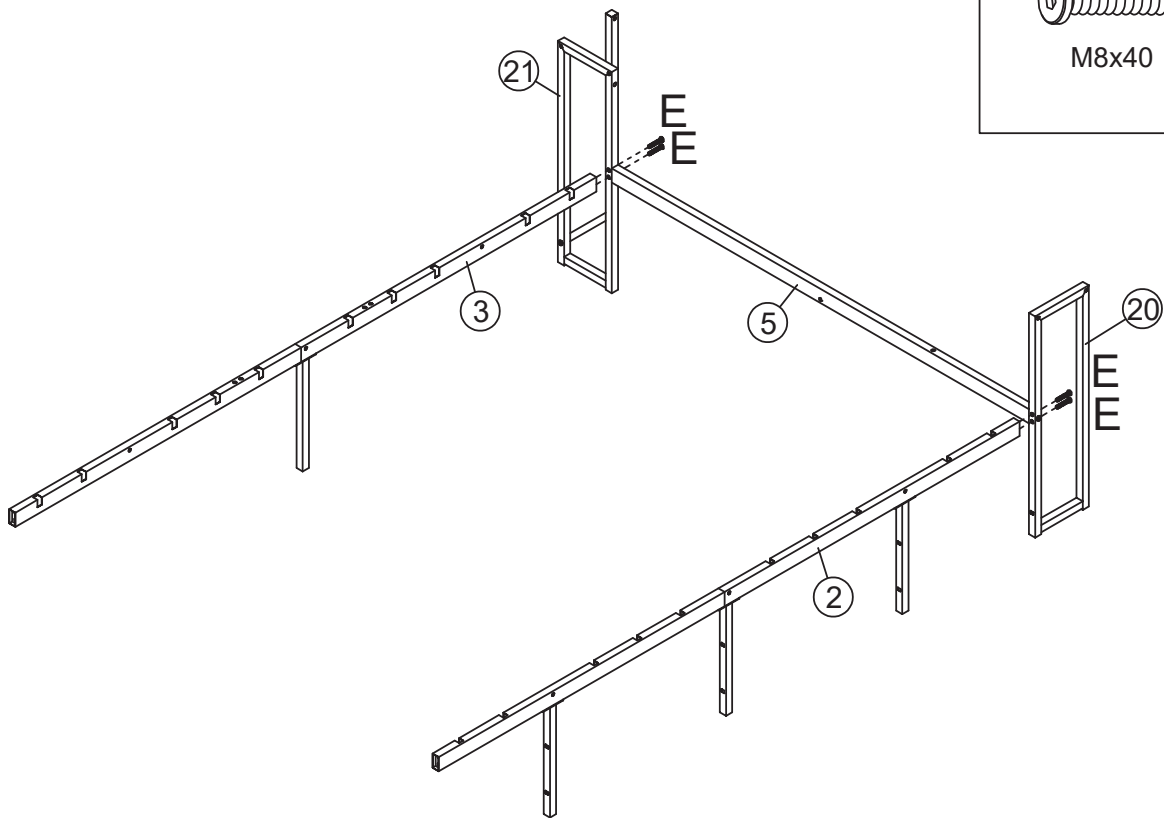
A



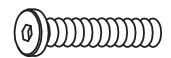
M6x12

8pcs

Step 4



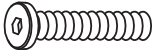
E

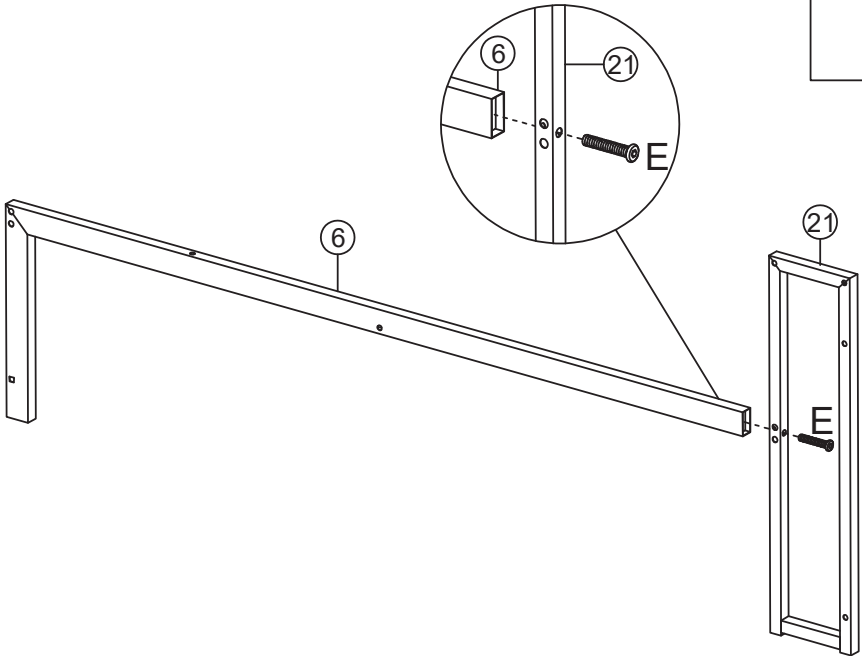


M8x40

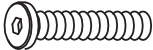
4pcs

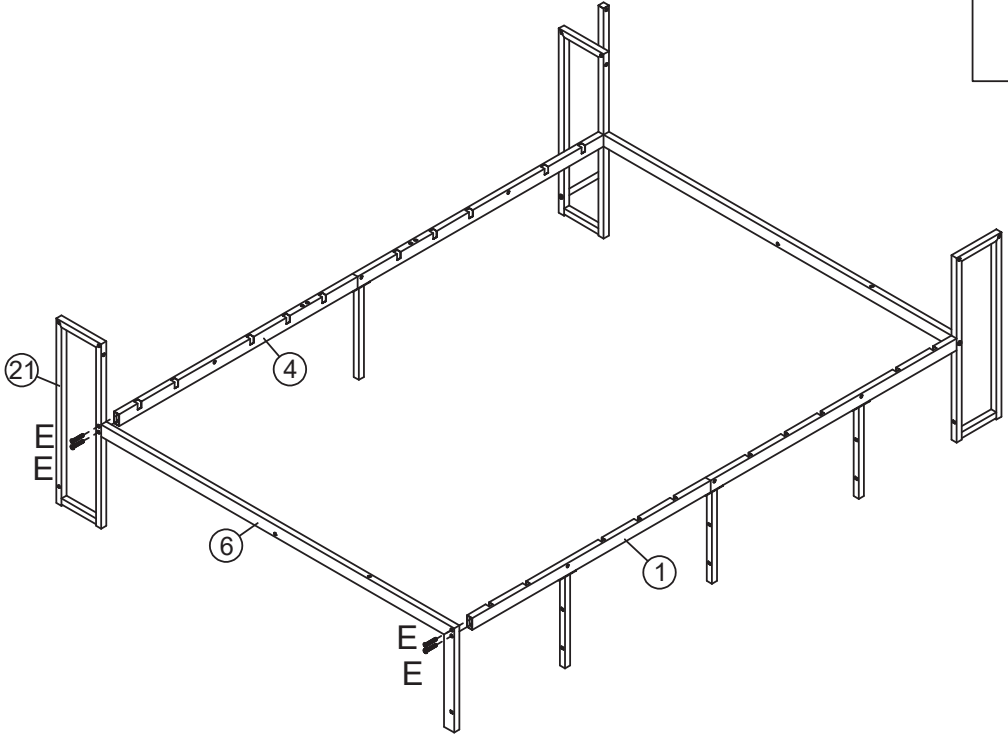
Step 5

E  
  
M8x40  
1pc

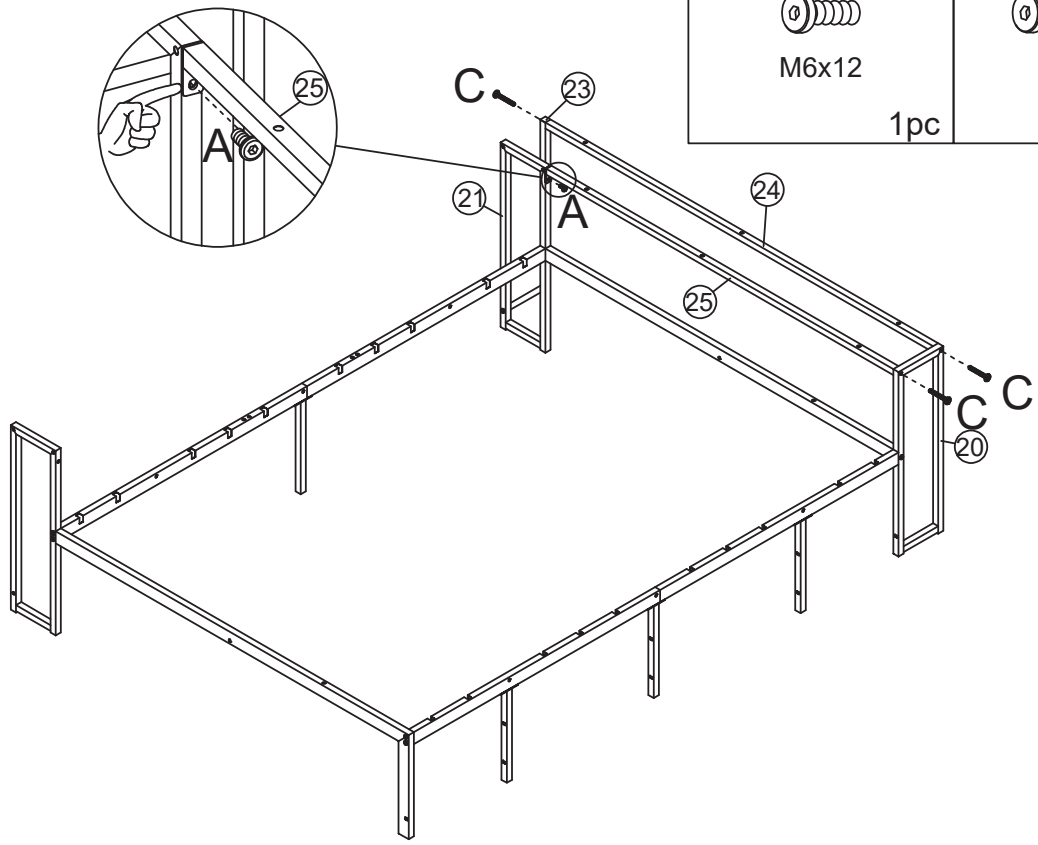



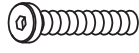
Step 6

E  
  
M8x40  
4pcs

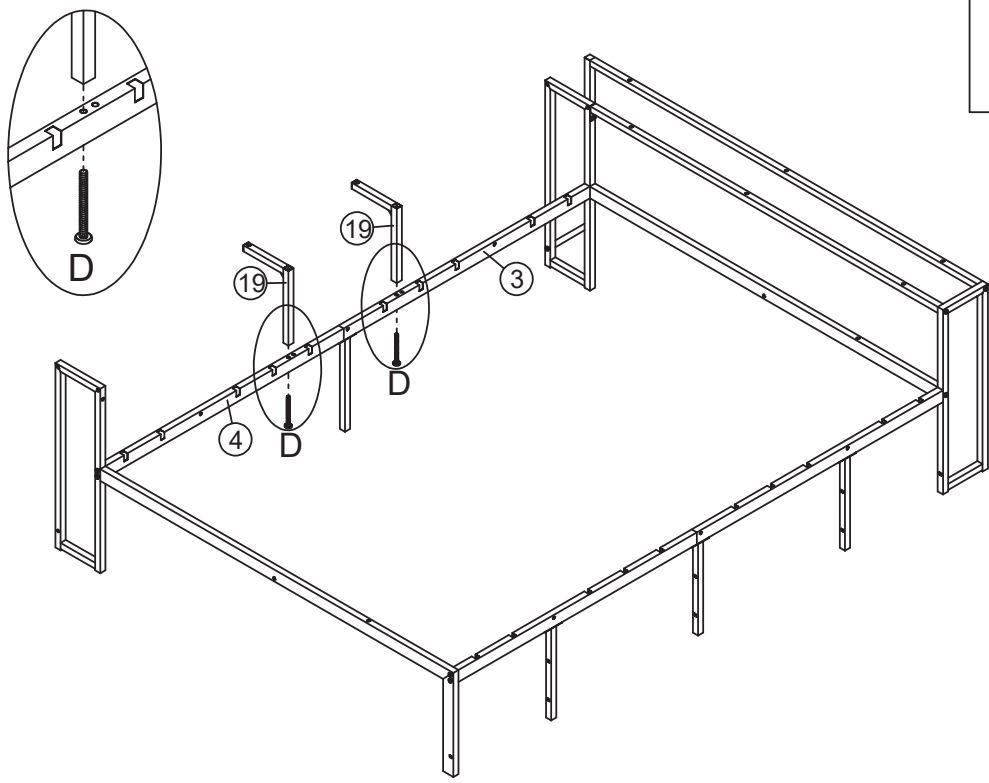


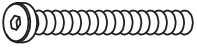
Step 7



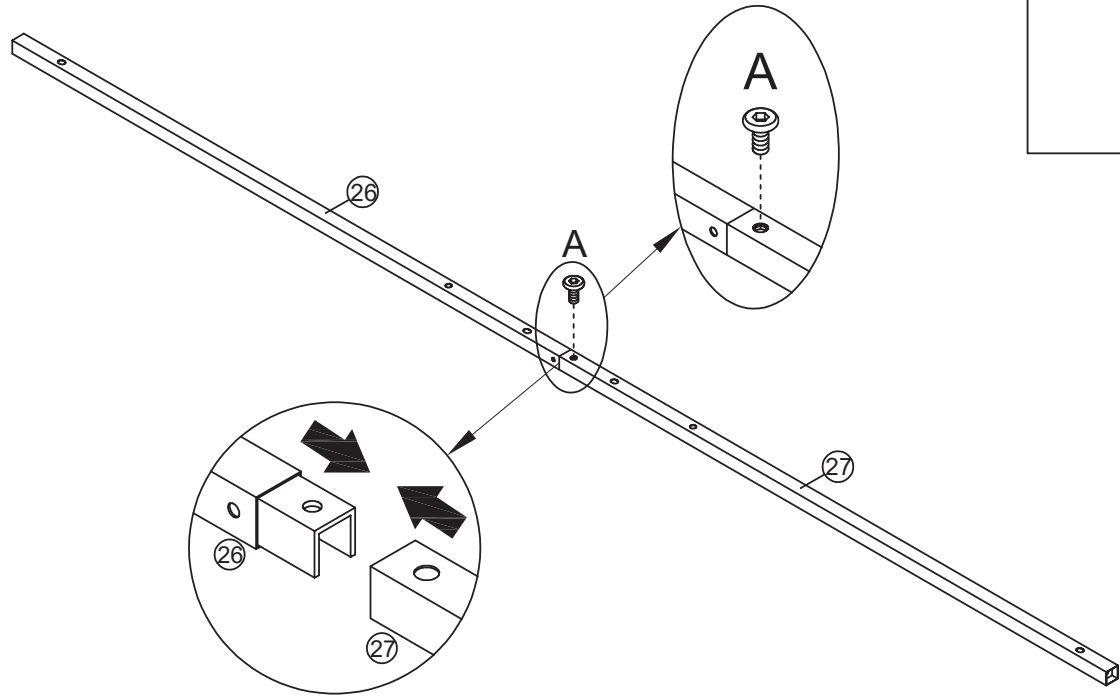
<b>A</b>  M6x12 1pc	<b>C</b>  M6x40 3pcs
-----------------------------------------------------------------------------------------------------------------	------------------------------------------------------------------------------------------------------------------


Step 8



<b>D</b>  M6x60 2pcs
--------------------------------------------------------------------------------------------------------------------

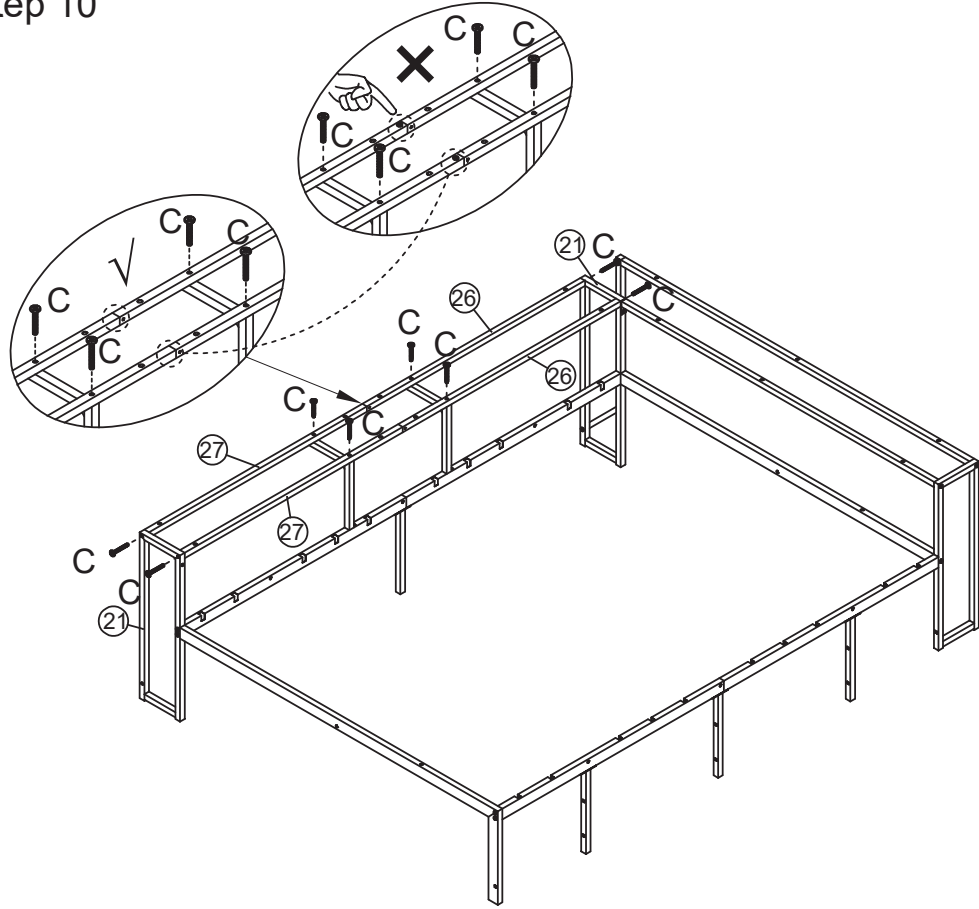
Step 9

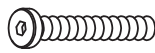


A  
  
M6x12  
2pcs

x2

Step 10



C  
  
M6x40  
8pcs

Step 11

J



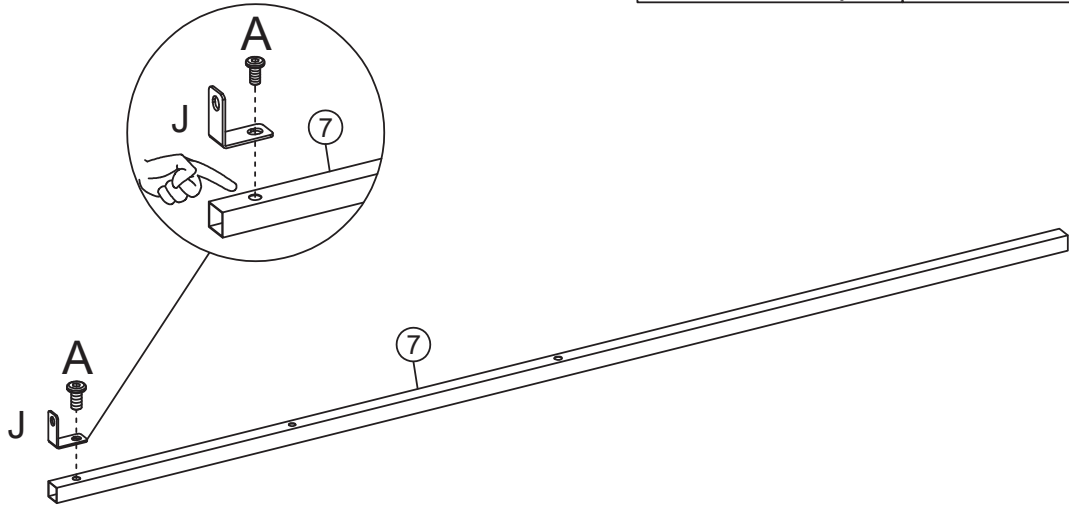
3pcs

A



M6x12

3pcs



x3

Step 12

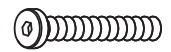
A



M6x12

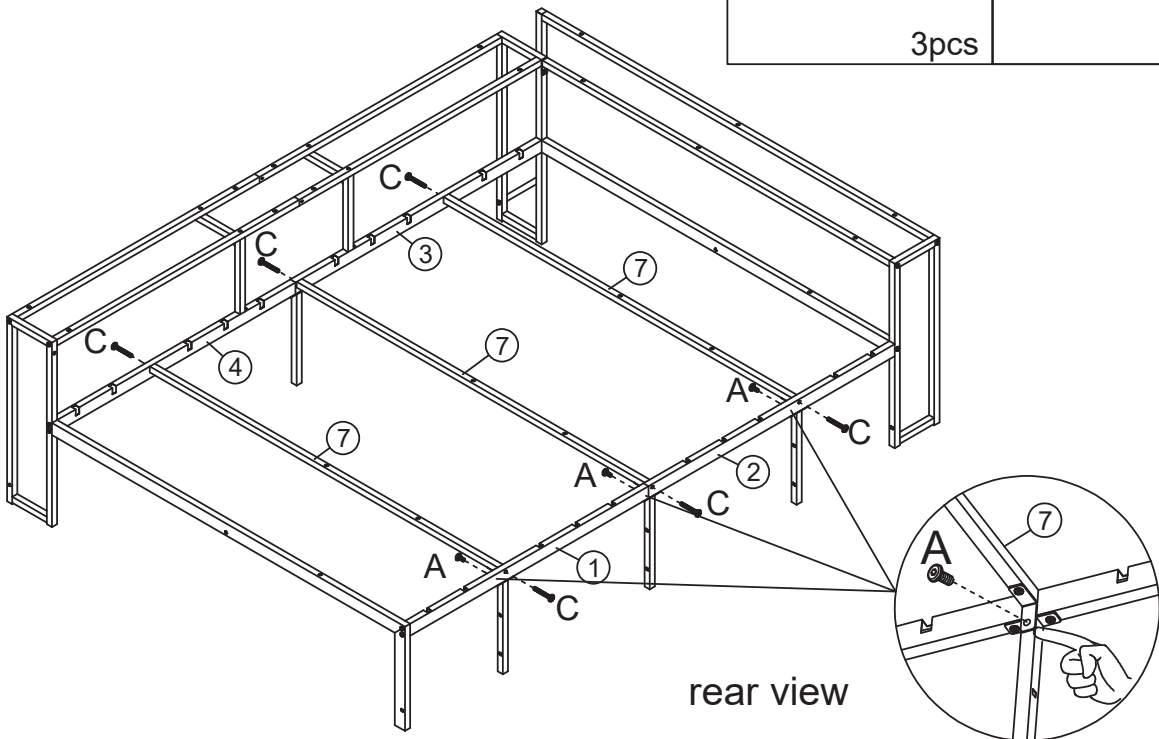
3pcs

C

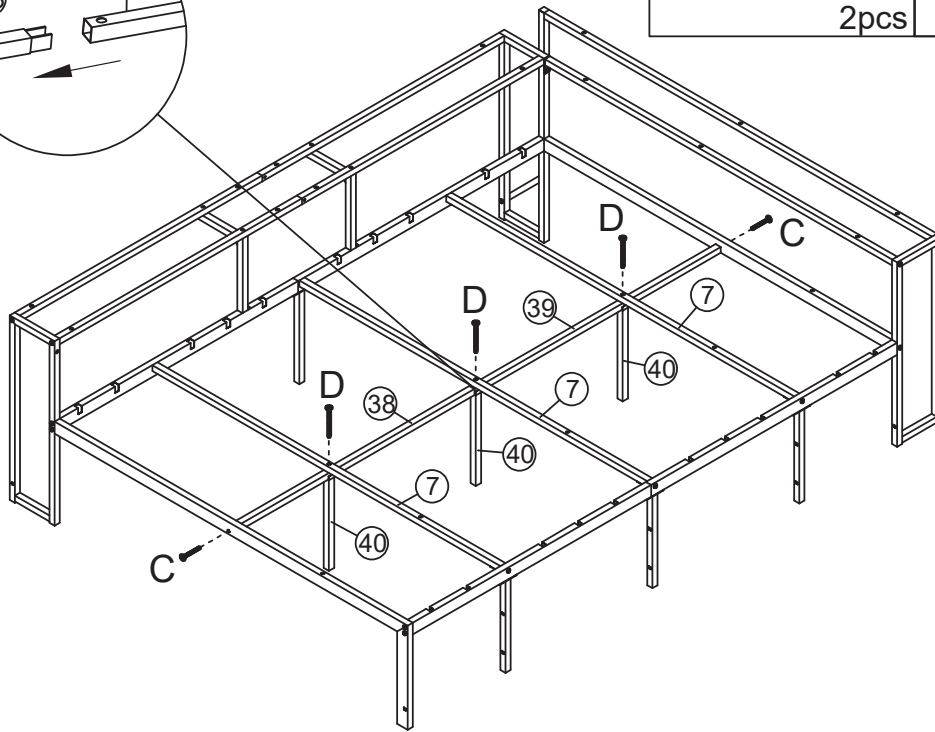
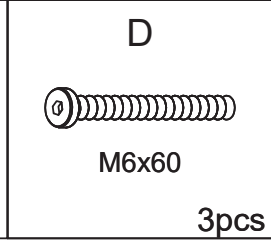
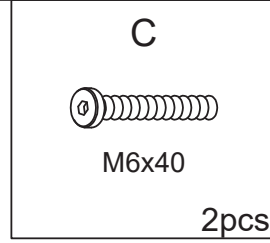
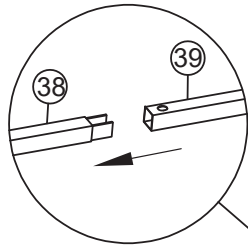


M6x40

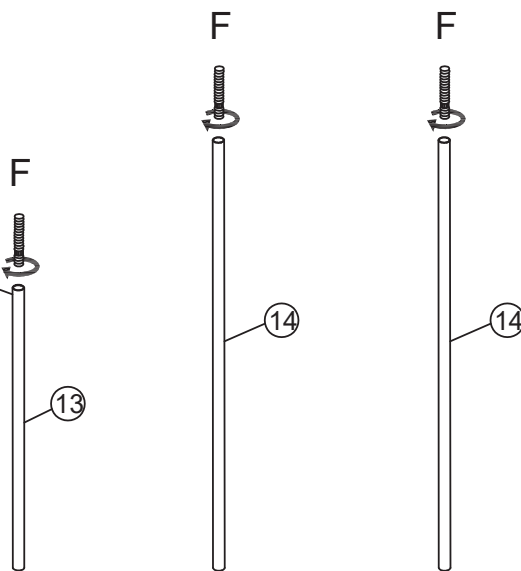
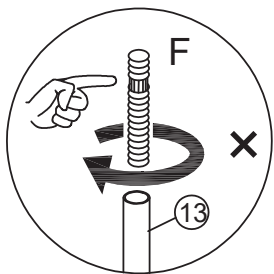
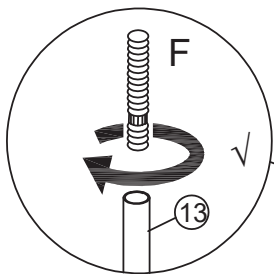
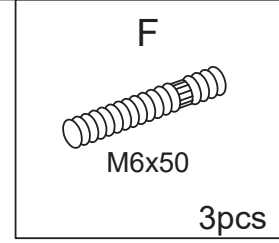
6pcs



Step 13

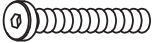


Step 14



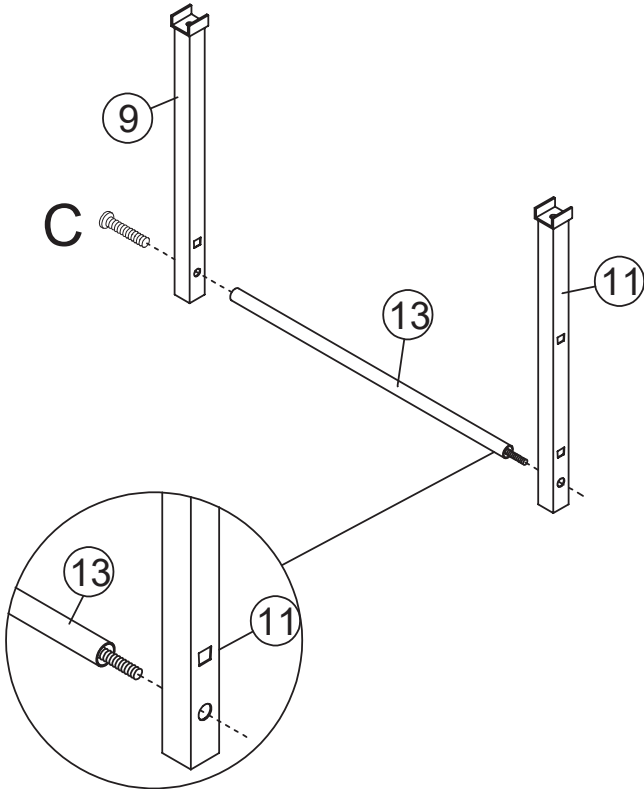
Step 15

C

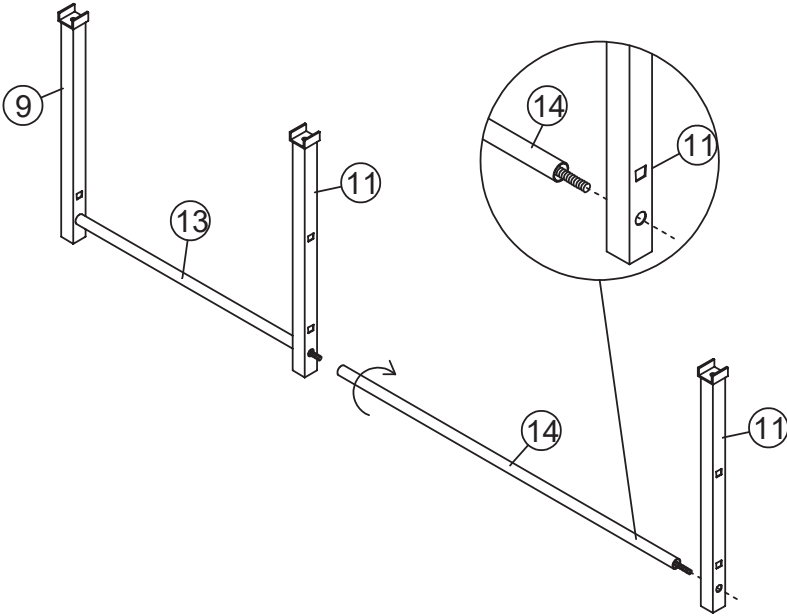


M6x40

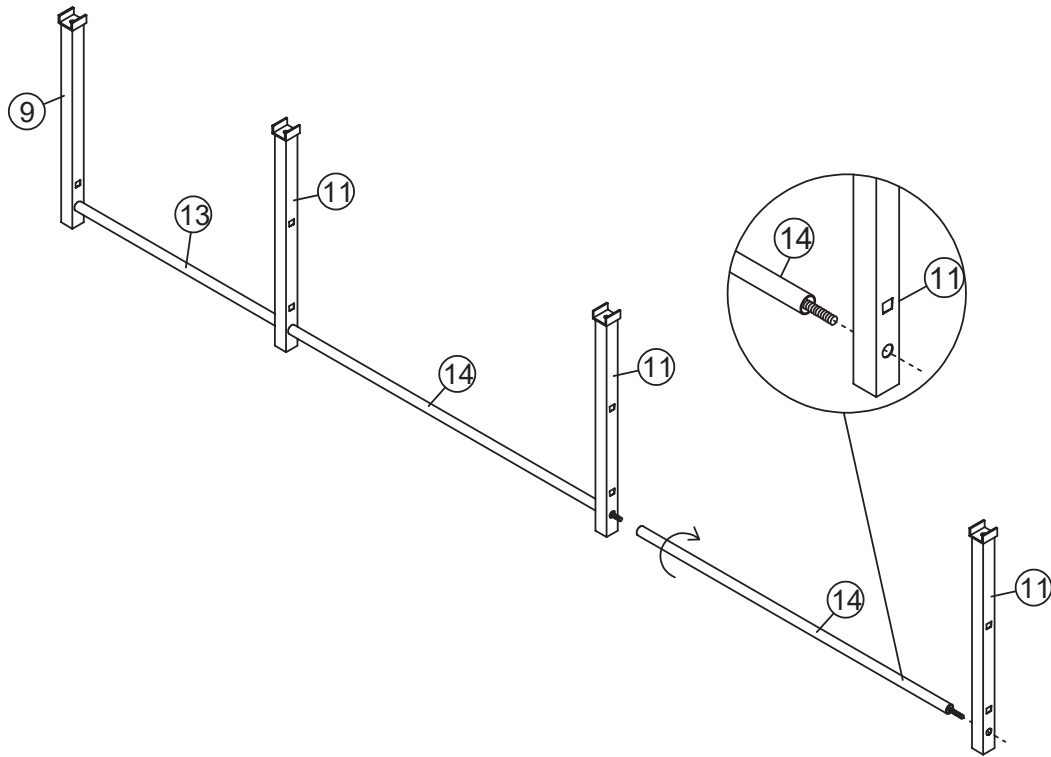
1pc



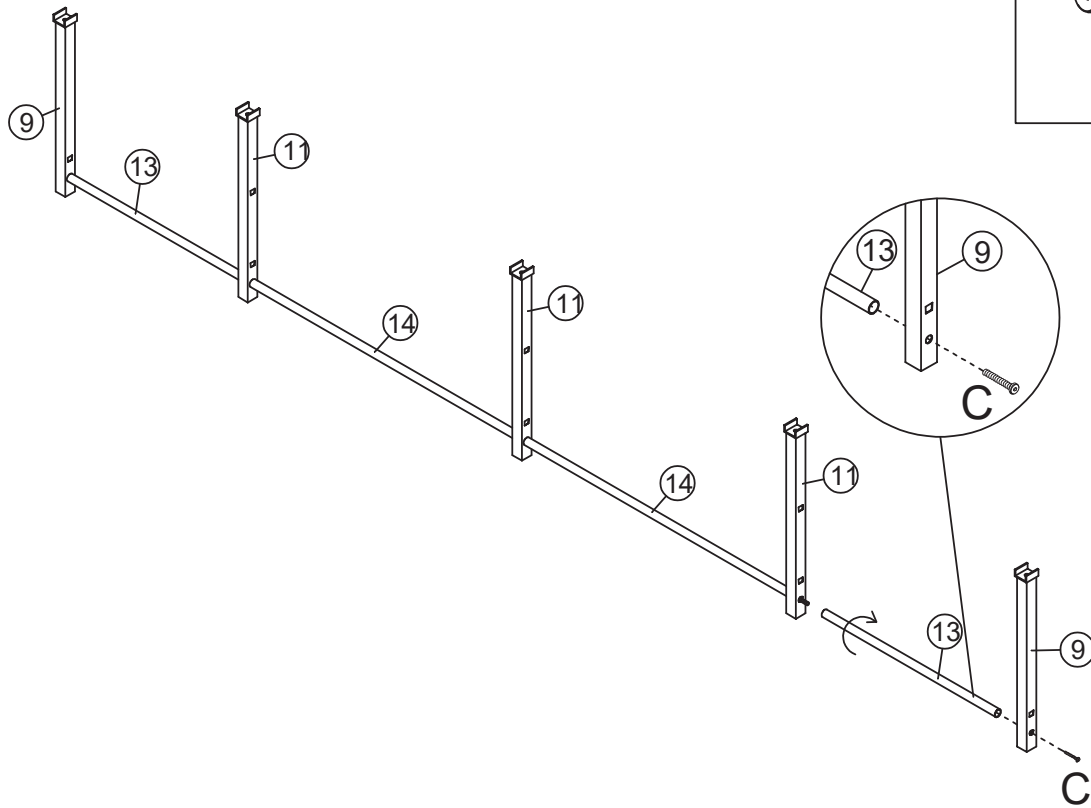
Step 16




Step 17



Step 18





**C**

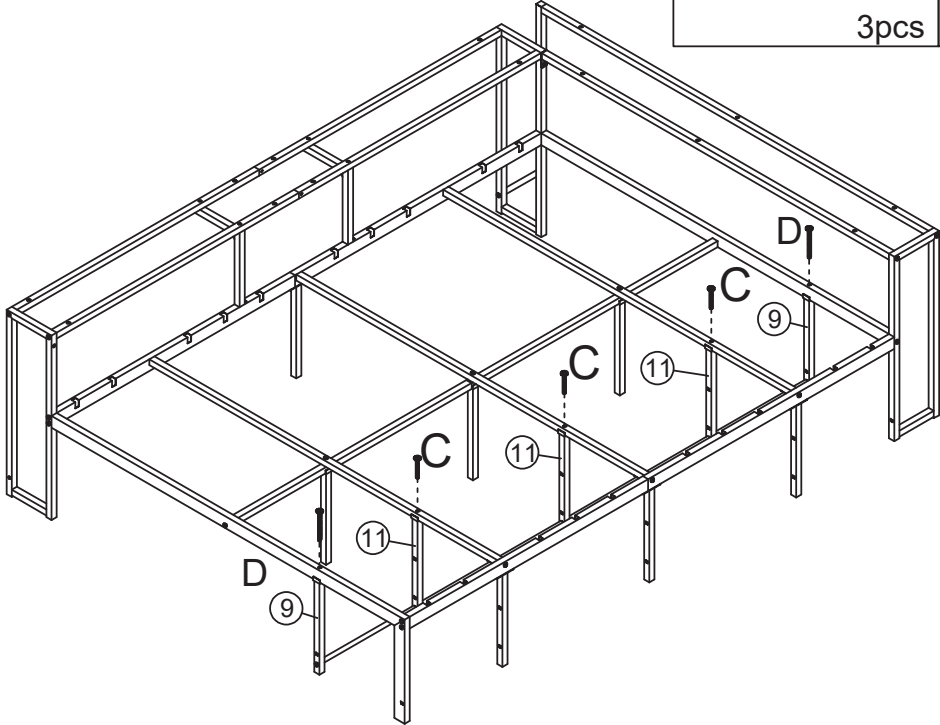


M6x40


1pc

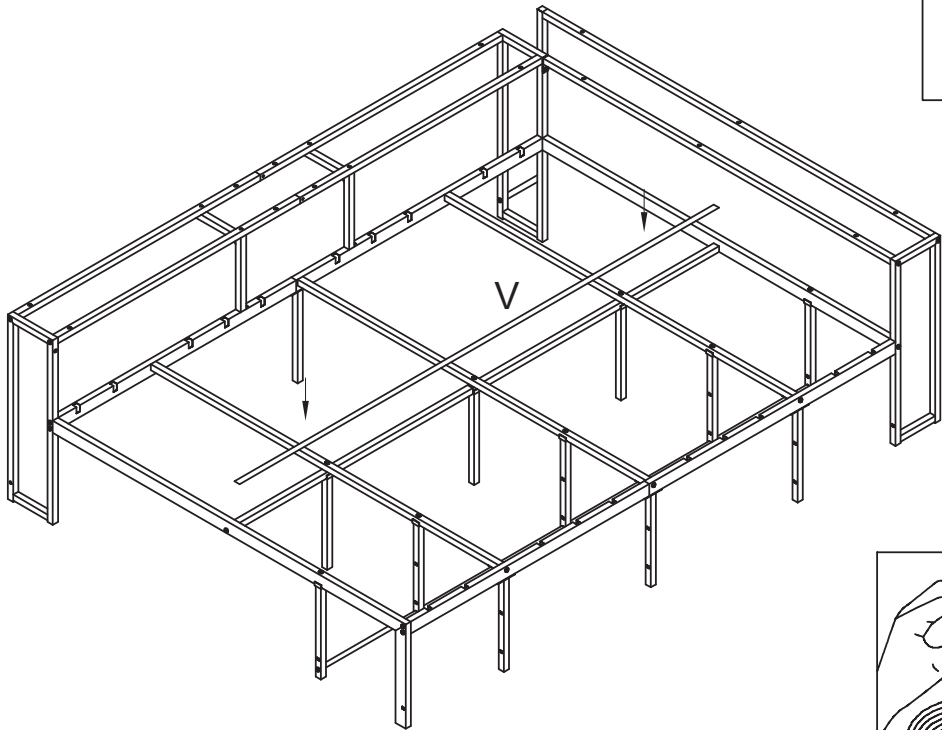
Step 19

<b>C</b>  M6x40 3pcs	<b>D</b>  M6x60 2pcs
-----------------------------------------------------------------------------------------------------------------	------------------------------------------------------------------------------------------------------------------



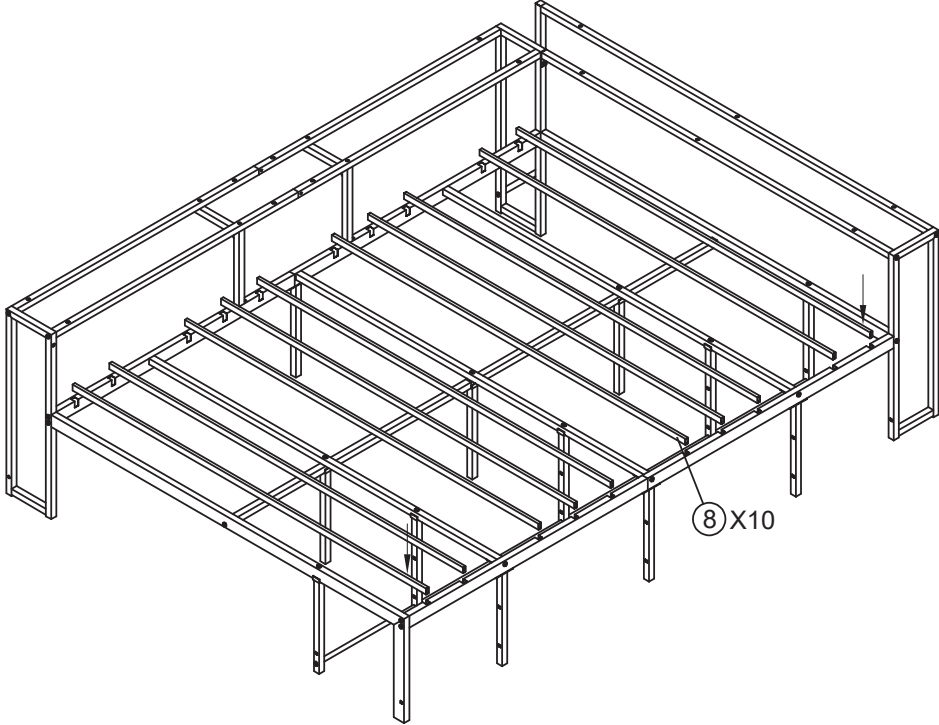
Step 20

<b>V</b>  1pc
----------------------------------------------------------------------------------------------------------




Step 21

Tighten all screws



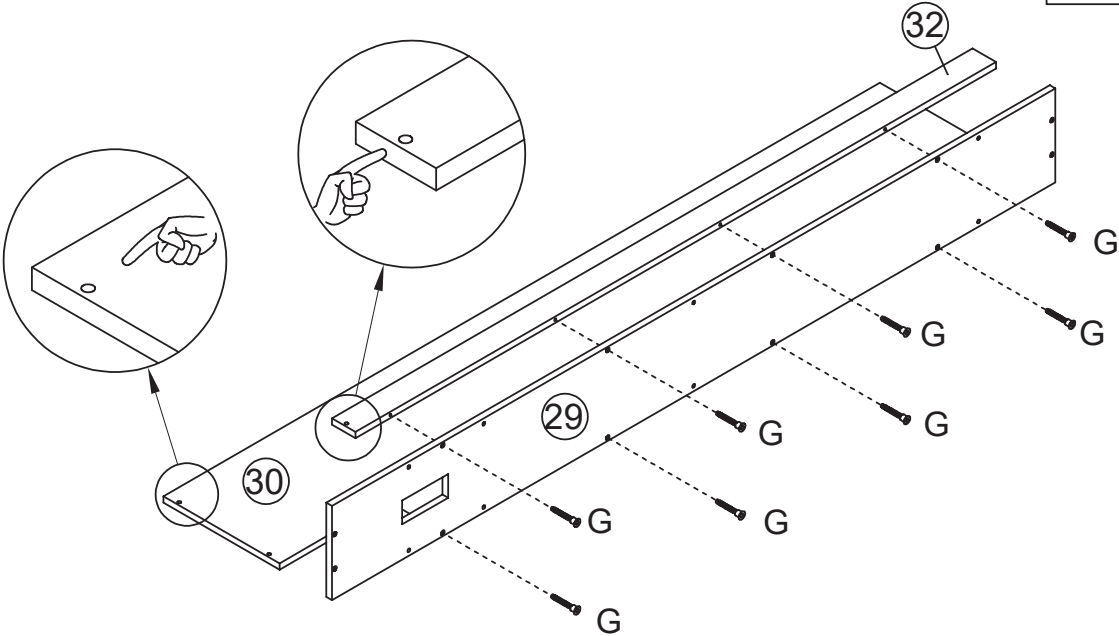
Step 22

G

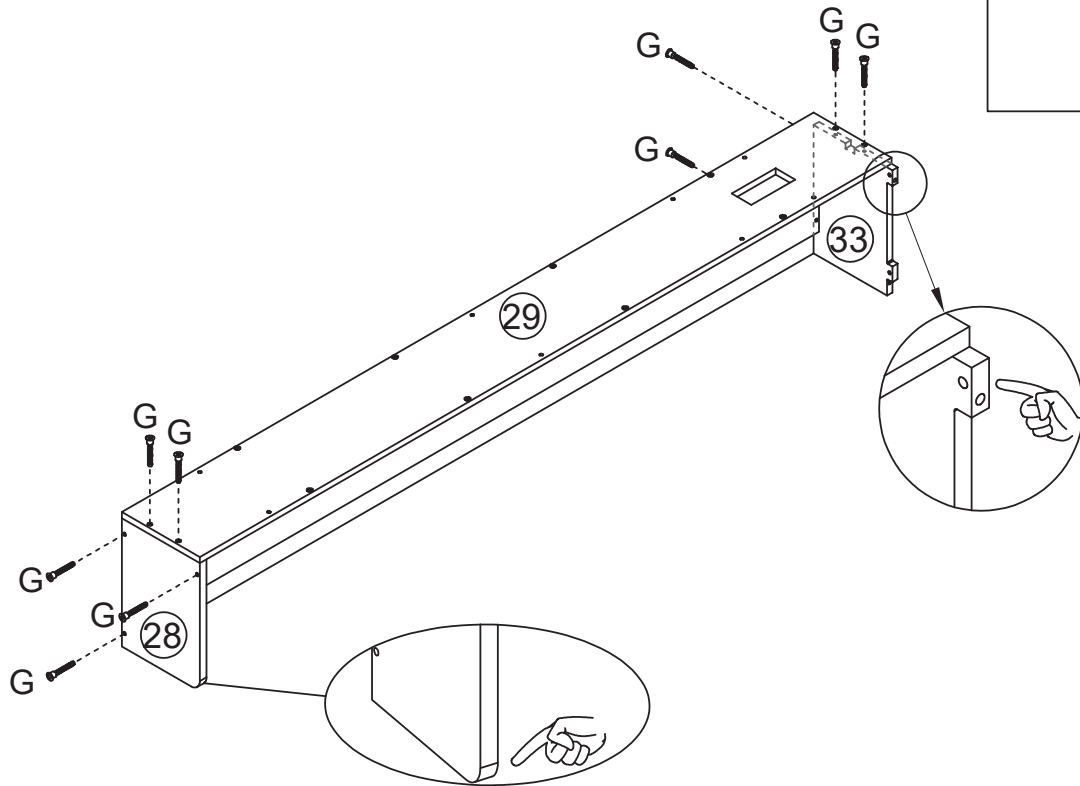


M5x38

8pcs



### Step 23



G

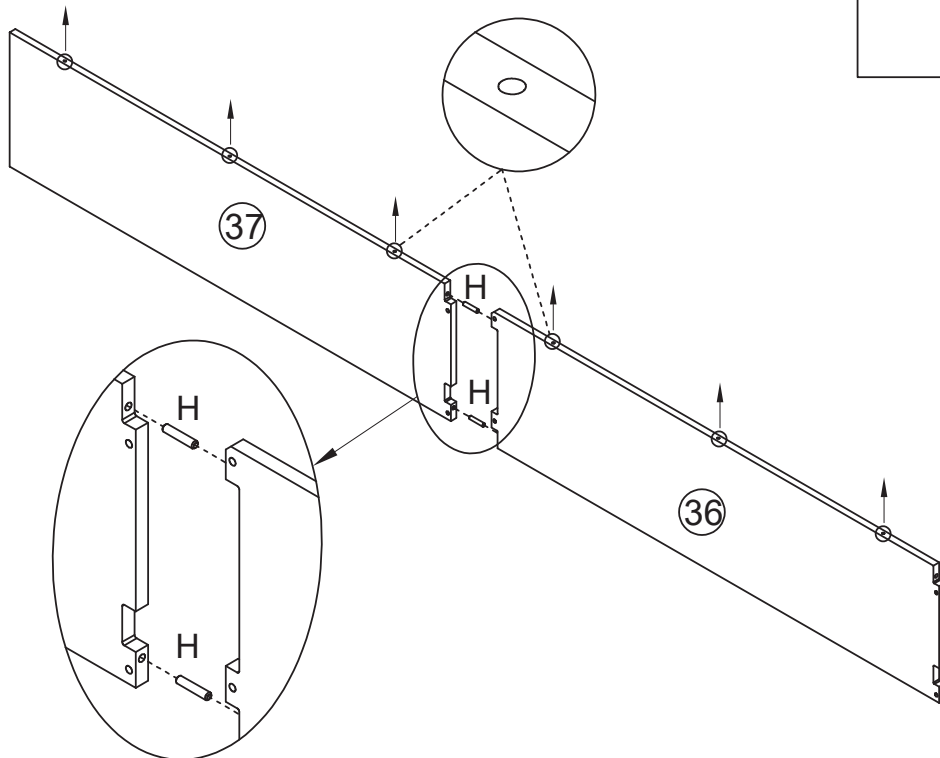


M5x38

9pcs

### Step 24

The hole faces up



H

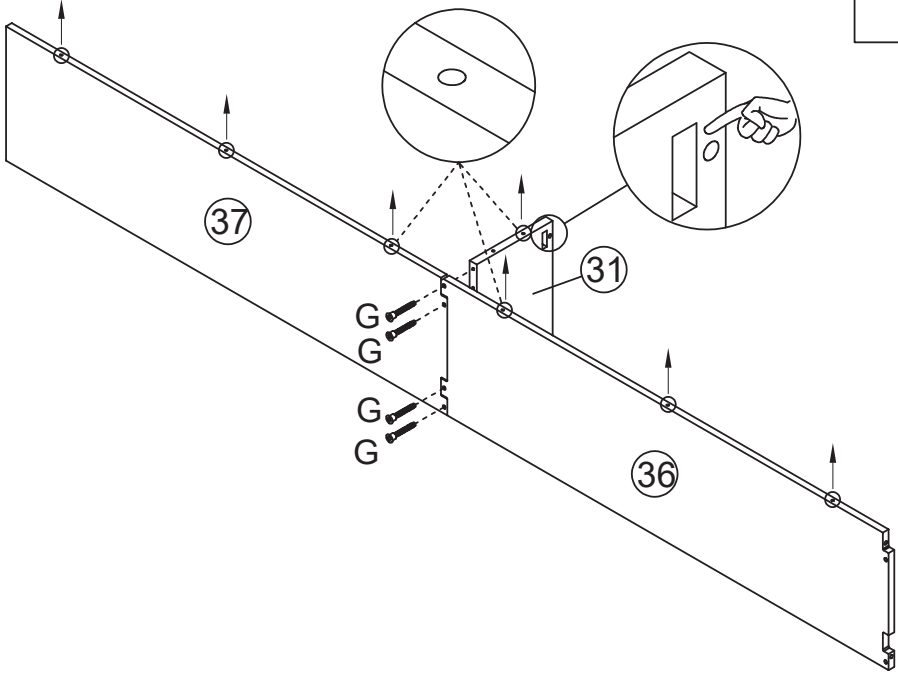


Ø6x30

2pcs

Step 25

The hole faces up



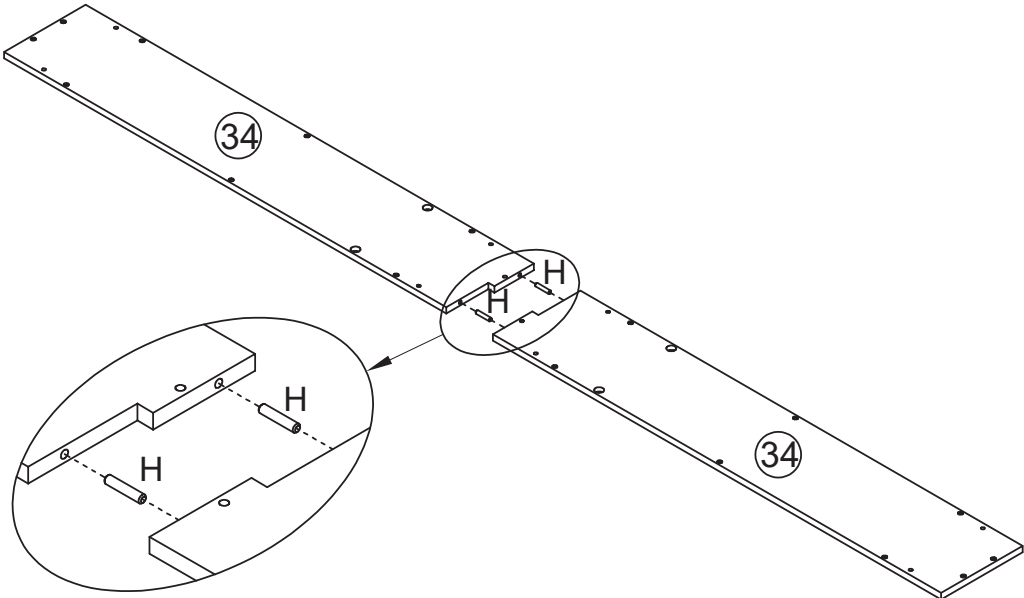
G



M5x38

4pcs

Step 26



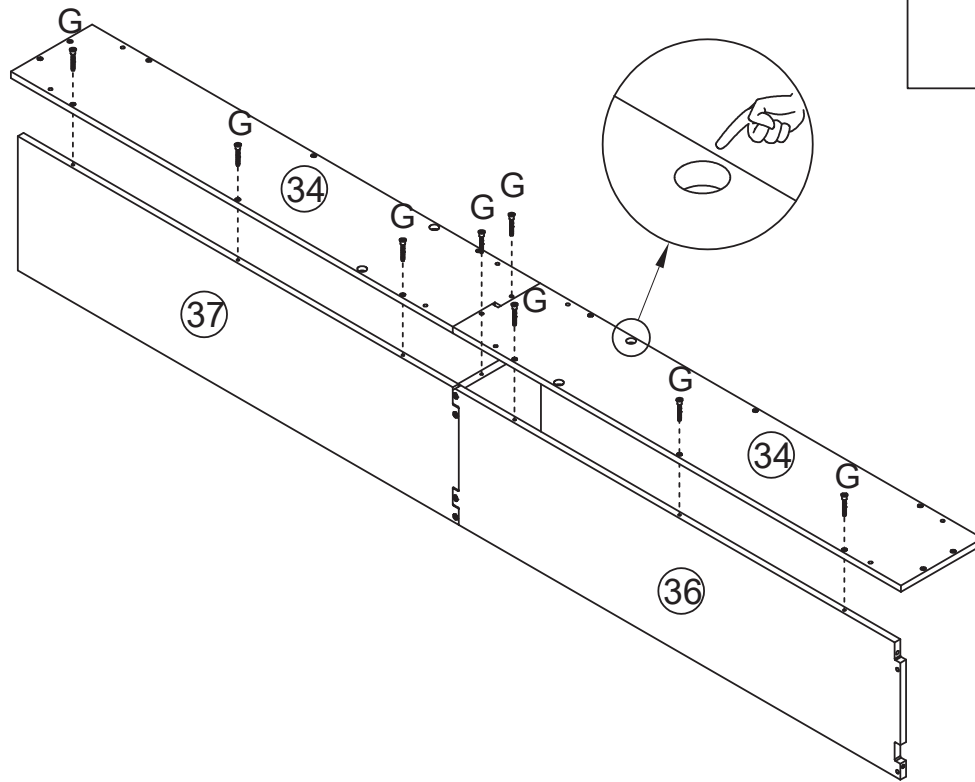
H



Ø6x30

2pcs

Step 27



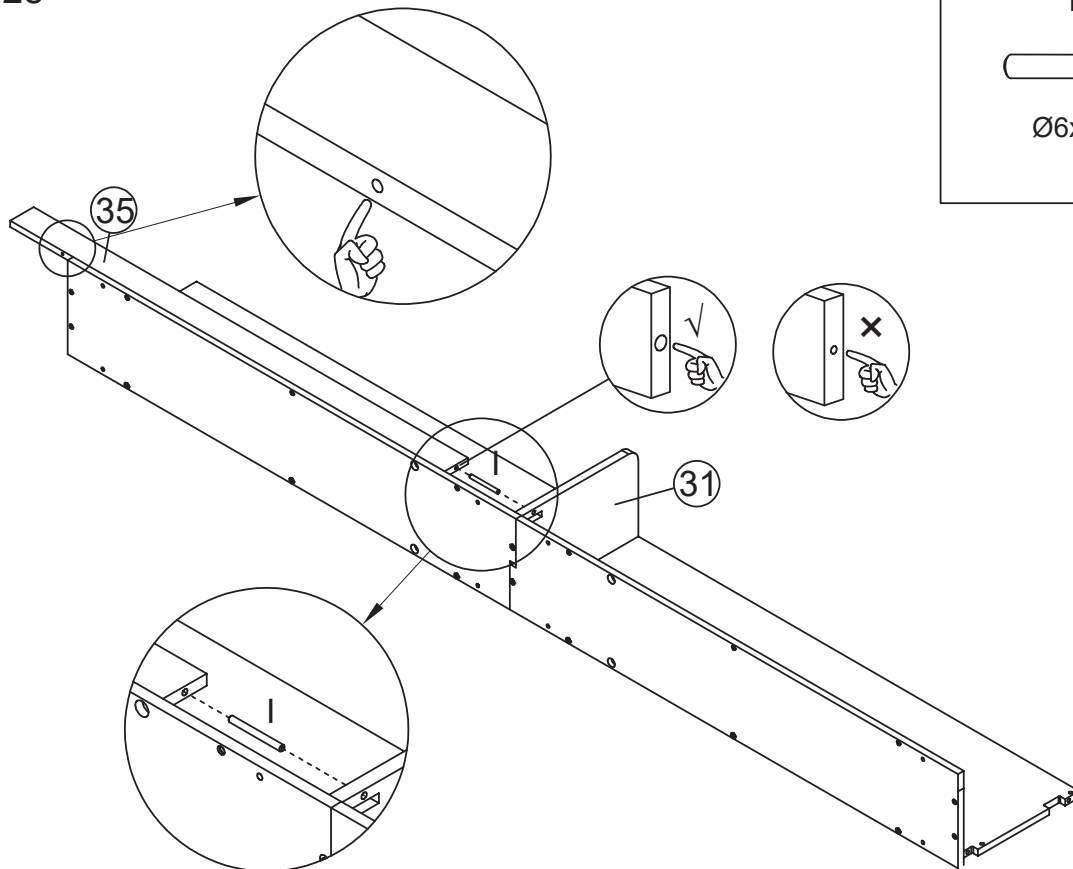
G



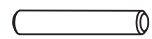
M5x38

8pcs

Step 28



I



Ø6x60

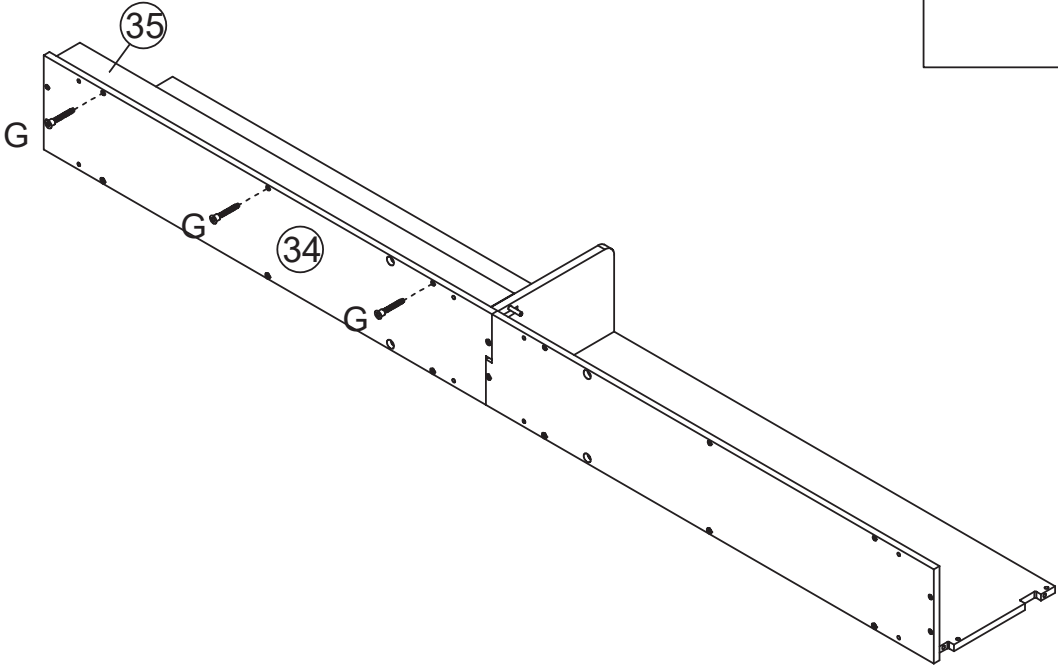
1pc

Step 29

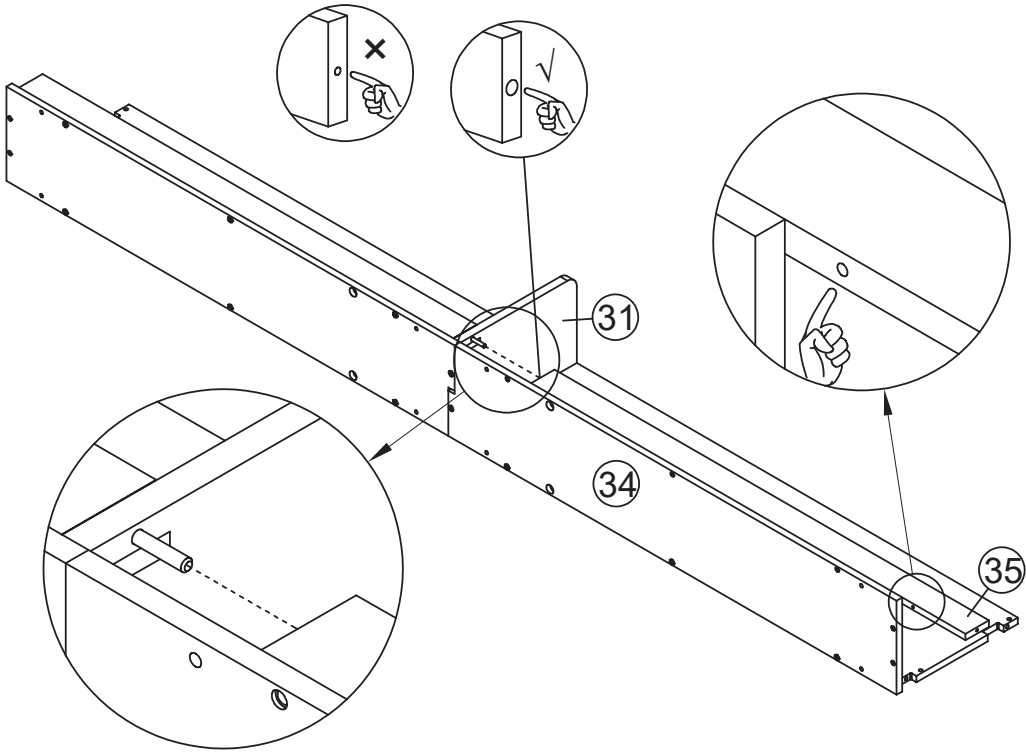
G



3pcs



Step 30

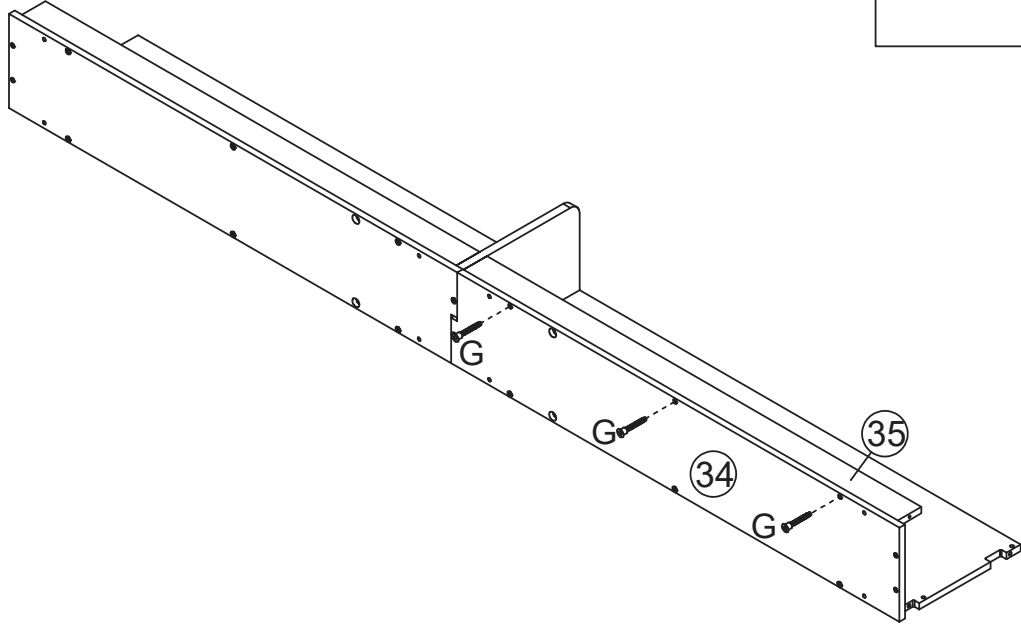


Step 31

G



3pcs

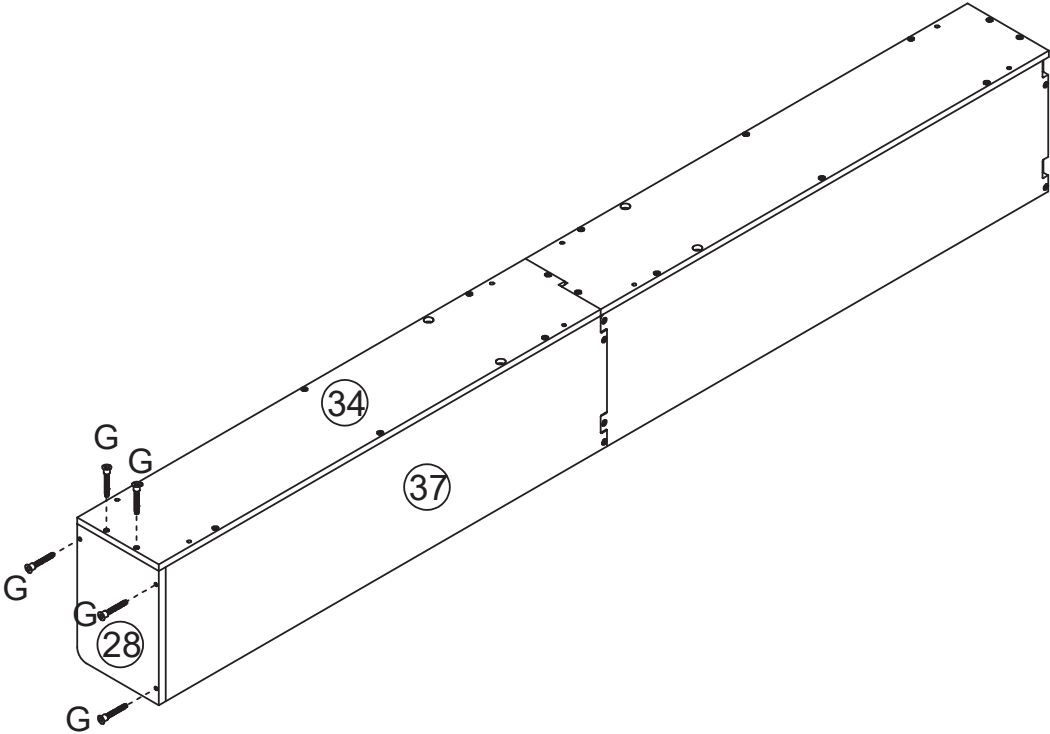


Step 32

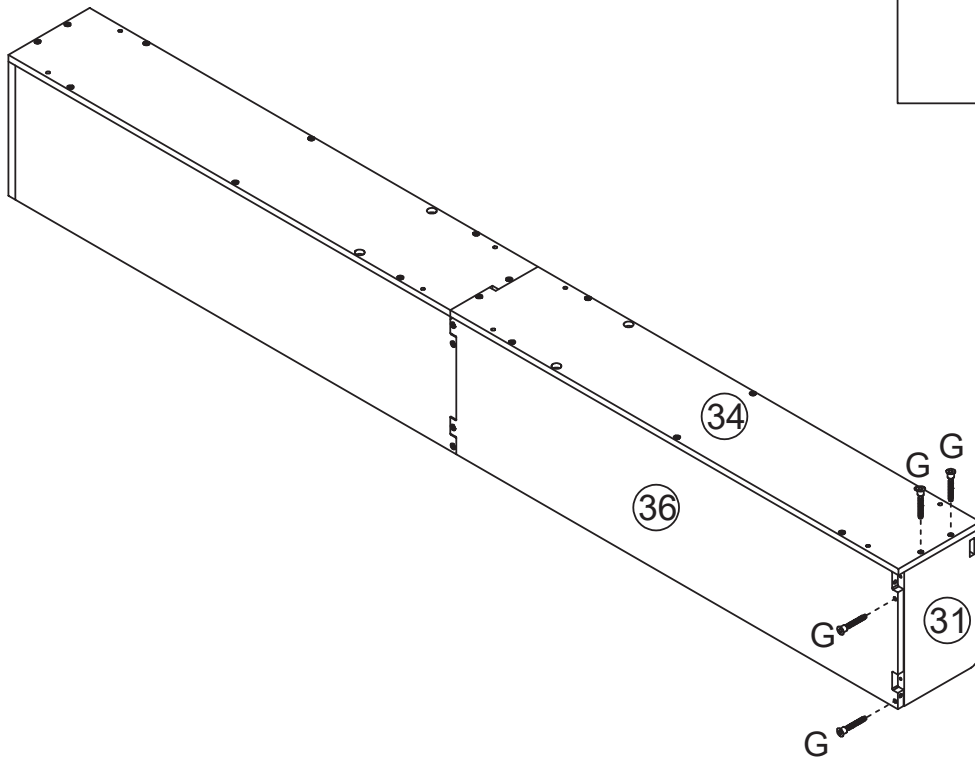
G



5pcs



### Step 33



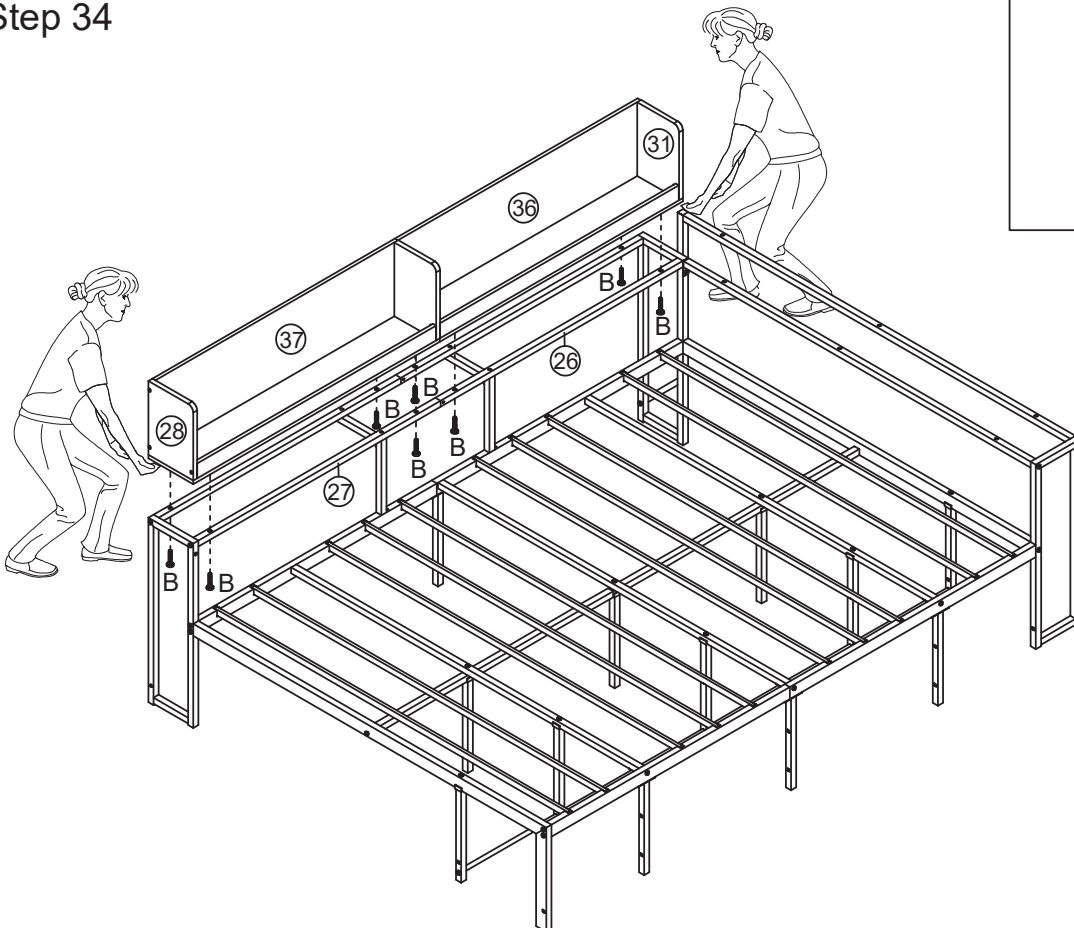
G



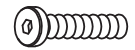
M5x38

4pcs

### Step 34



B



M6x28

8pcs

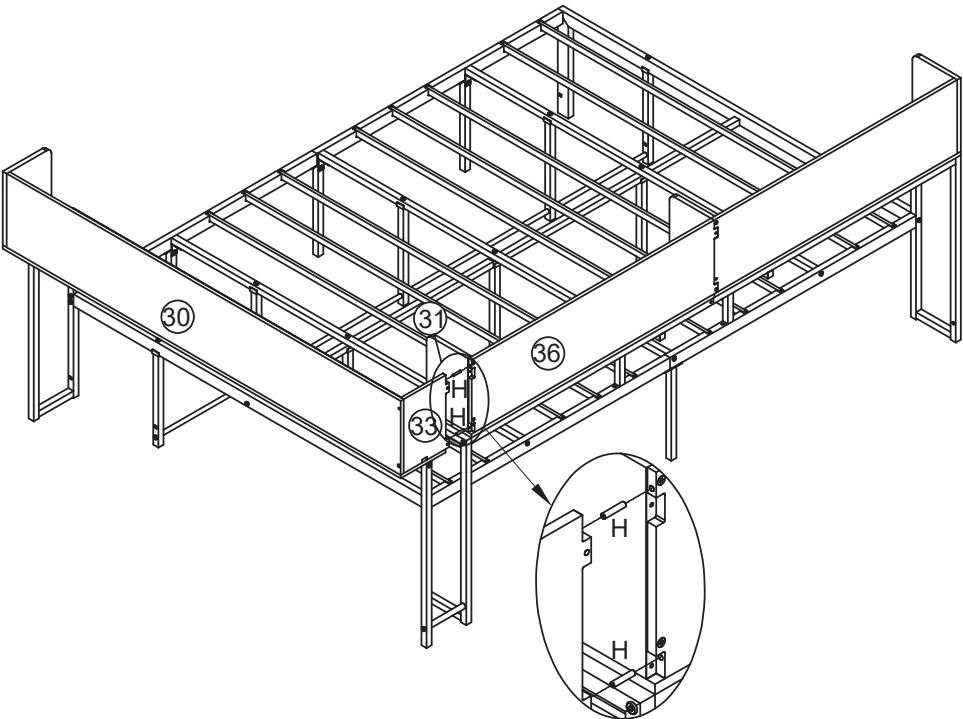
Step 35

H



Ø6x30

2pcs



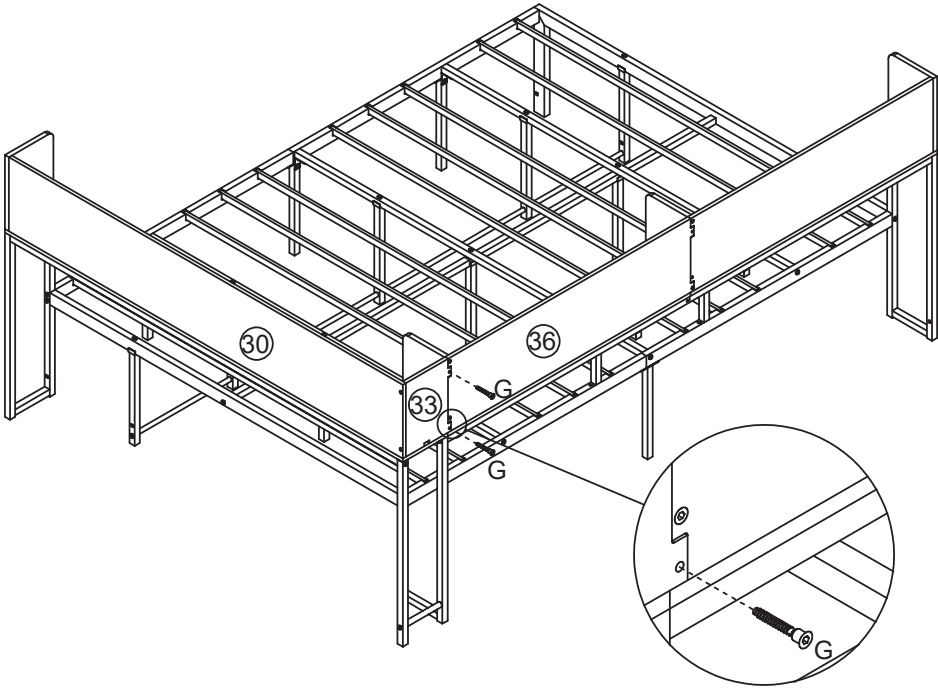
Step 36

G

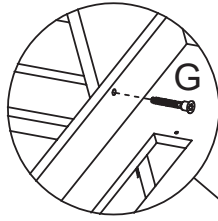




M5x38

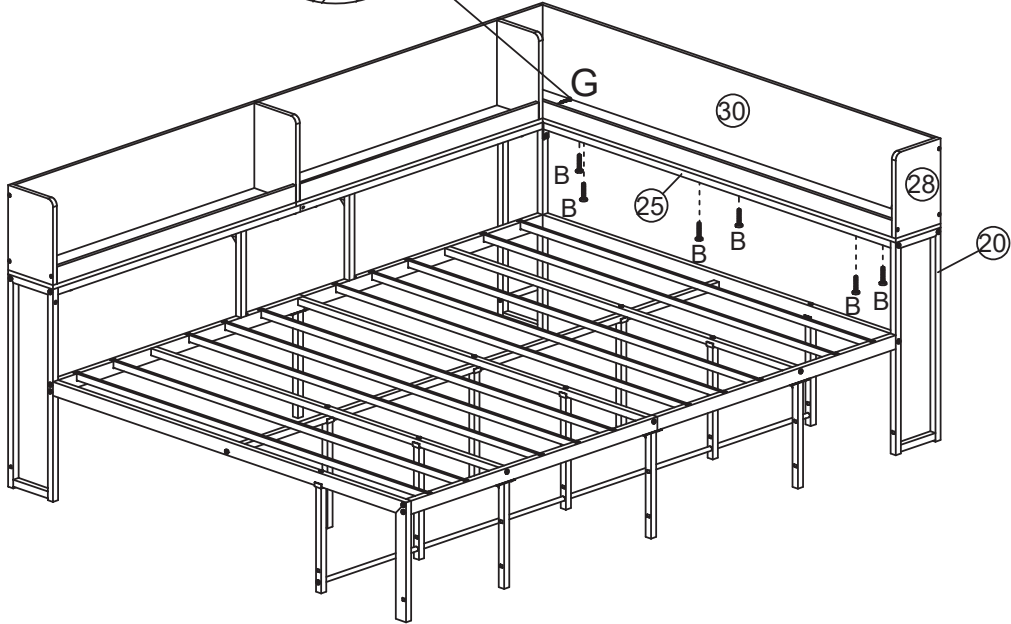
2pcs



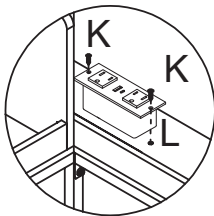
### Step 37

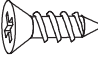
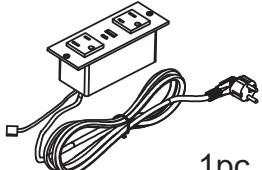


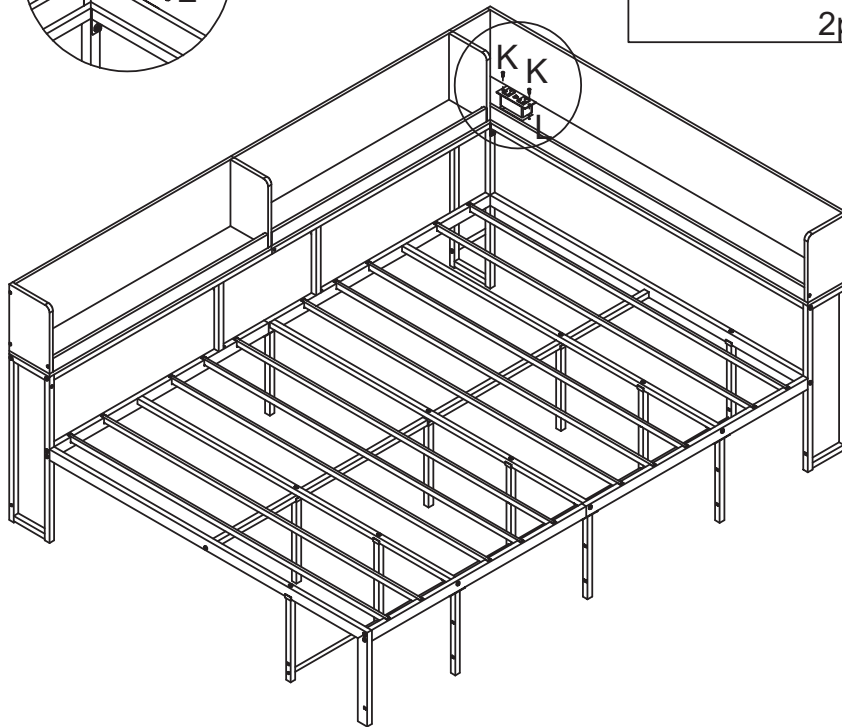
<b>B</b>  M6x28 6pcs	<b>G</b>  M5x38 1pc
------------------------------------------------------------------------------------------------------------------	-----------------------------------------------------------------------------------------------------------------



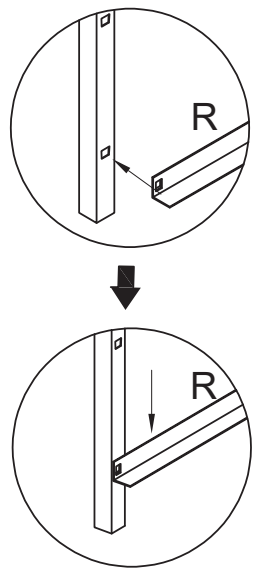
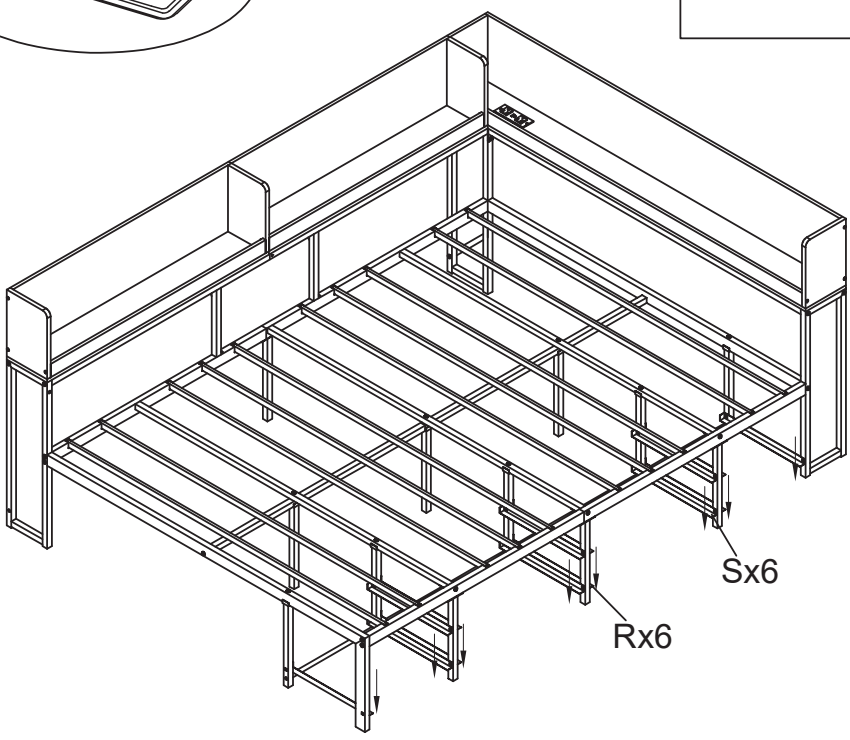
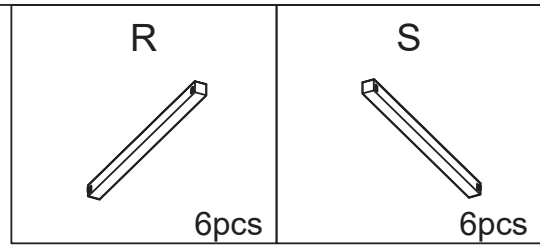
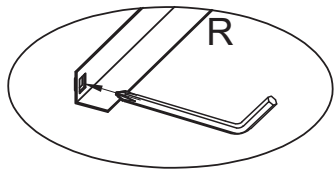
### Step 38



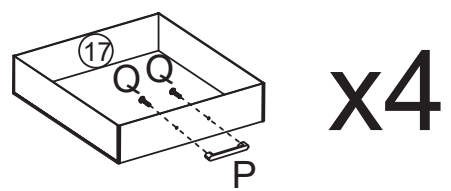
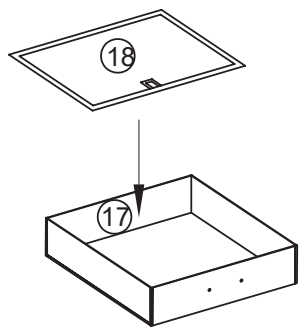
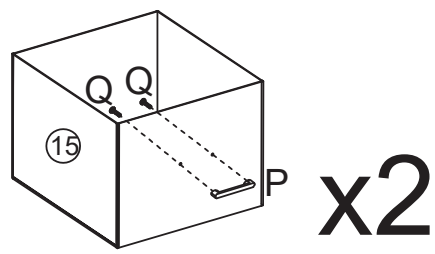
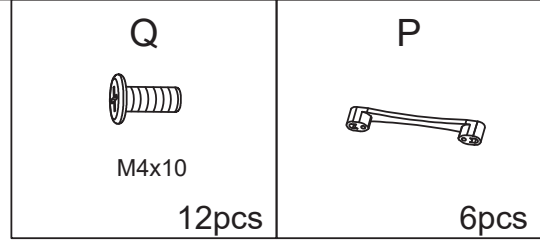
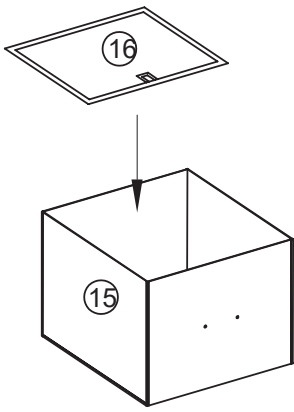
<b>K</b>  Ø3.5x12 2pcs	<b>L</b>  1pc
----------------------------------------------------------------------------------------------------------------------	----------------------------------------------------------------------------------------------------------



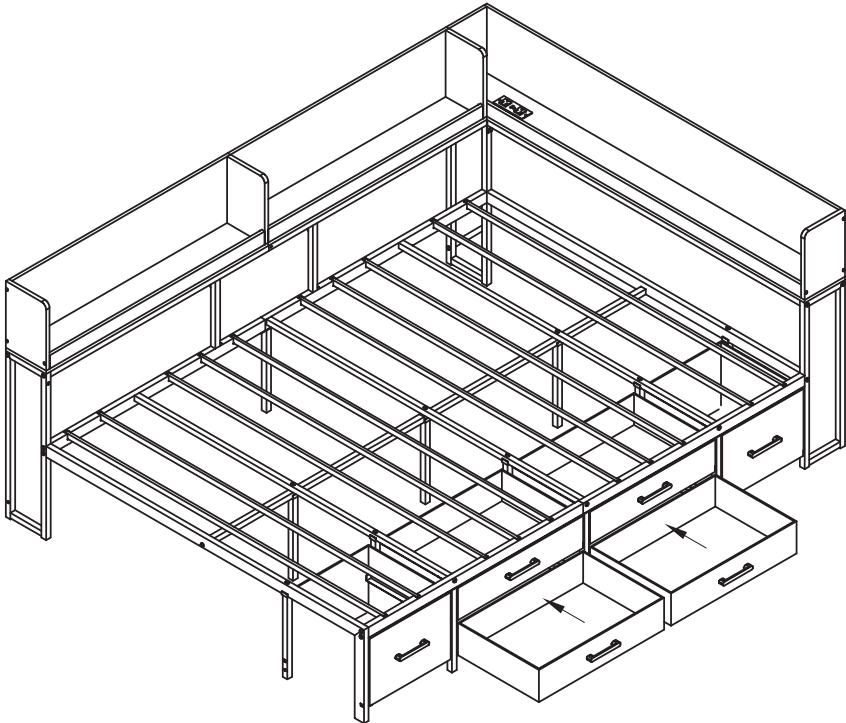
Step 39



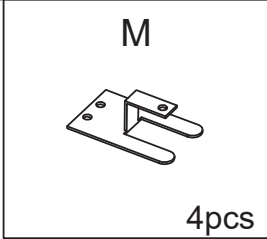
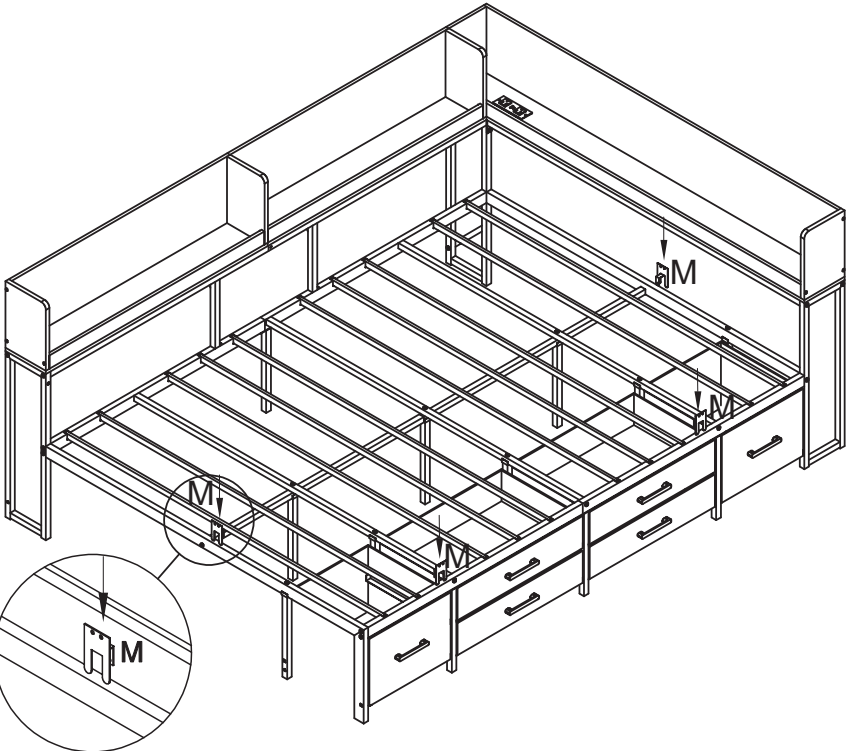
Step 40



Step 41



Step 42



## Step 43

Feed the long light strip through the slots in the two Panel #31s, all the way to Panel #28. Then peel off its adhesive backing and stick it onto the two Panel #35s. For the short light strip, peel off its adhesive backing and stick it onto Panel #32. Finally, both light strips run through Panel #33.

