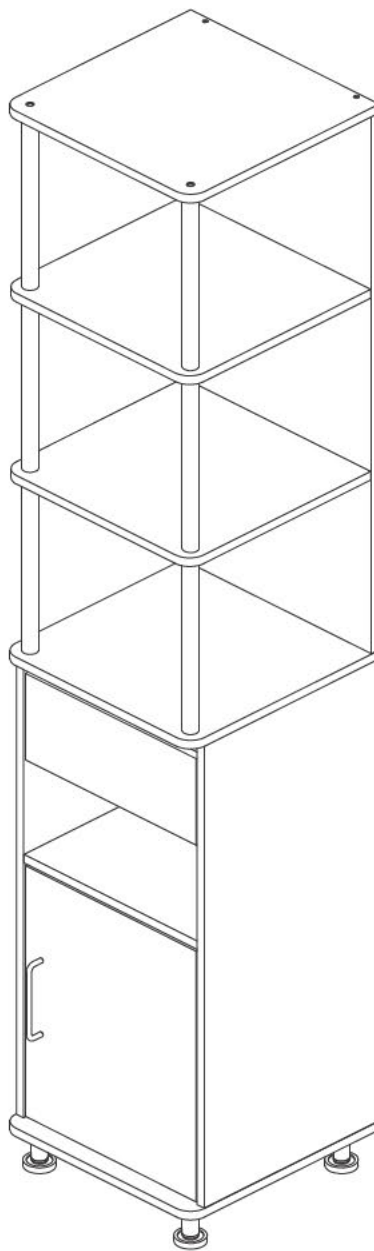
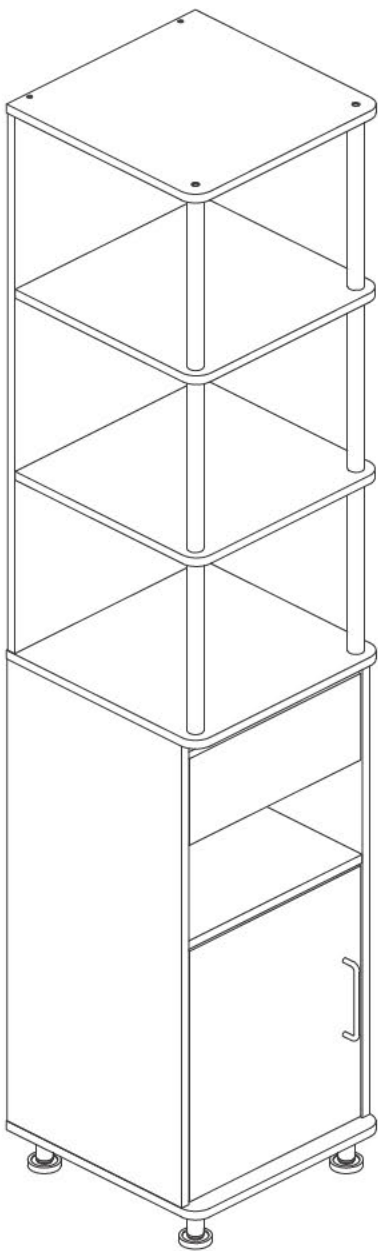


ASSEMBLY INSTRUCTIONS



TOOLS REQUIRED



Hammer

(Not Included)



**Philips
Screwdriver**

(Not Included)



**2 - People
Recommended**

ASSEMBLY RATING



EASY —————> DIFFICULT

The Assembly Rating is a 5-point system showing the level of effort needed to assemble a specific product.

Thank you for your purchase!

We hope you enjoy this new addition to your home for many years to come.

Our commitment to providing quality products does not simply end when you purchase our product. We fully stand behind our products from start to finish. Our customer service department is available Monday – Friday 8:30 AM – 5:30 PM Pacific and can help with assembly questions as well as, if necessary, replacing damaged or missing parts. To help expedite our service, please have these assembly instructions readily available, along with your order receipt.



CHECK BEFORE STARTING

Are you missing anything?

Double-check all parts, hardware and accessories listed are all accounted for.

Check out our Quick Tips!

We recommend reviewing the pre-assembly handouts. Even experts need a refresher now and then!

Should we send any replacements?

Are there any irregularities or flaws in the parts? We can send replacements!

Prep Time!

Please review the assembly instructions and all diagrams prior to assembling. Arrange parts as recommended on Page 7 and group identical hardware together to make assembling easier.

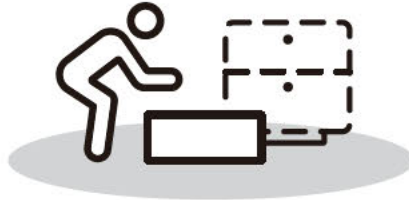
PRE ASSEMBLY INTRODUCTION

We understand building ready-to-assemble furniture can be a challenging experience for some. To help avoid confusion, we have provided some helpful tips that may speed up the process.



Teamwork

ALWAYS have at least two people to help with transporting and assembling the product to avoid potential injury and/or damage.



Suitable Location

Assembling near the area of the intended location is highly recommended.



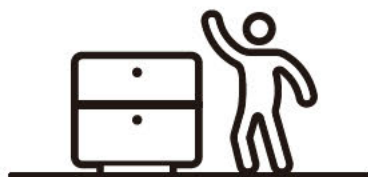
Sufficient Space

Make sure you have enough space to move around during the assembly.



Avoid Scratches

Use cardboard, blankets or a carpeted area while assembling furniture to prevent scratches.



Flat Surface

Make sure the furniture rests on a flat and level surface with each leg evenly touching the floor.

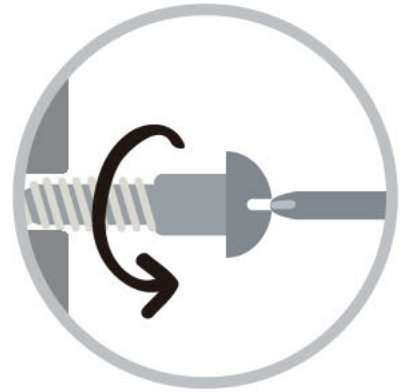
ASSEMBLY AND CARE ADVICE



FAILURE TO FOLLOW THE GUIDELINES BELOW MAY RESULT IN INJURY AND/OR PROPERTY DAMAGE.



Position each part correctly and insert screws or bolts into their respective holes.



Turn clockwise to tighten and only tighten when step is completed or when instructed to do so.



Use the appropriate hand tools or power tools for assembly. Select steps, such as tightening screws and/or bolts, may require hand tools to avoid causing damage during assembly.



Save the instructions and store any supplied tools for later maintenance.



After two weeks, check and tighten any loose hardware and repeat again every six months thereafter.

IT IS THE USER'S RESPONSIBILITY TO MAINTAIN THE FURNITURE. THE HARDWARE MAY LOOSEN OVER TIME AND MAY CAUSE THE FURNITURE TO BE WOBBLY AND UNABLE TO SUPPORT ITS INTENDED WEIGHT CAPACITY. THIS MAY LEAD TO COLLAPSE AND MAY CAUSE SERIOUS INJURY.

CAM LOCK FASTENER ASSEMBLY INSTRUCTIONS

Note :

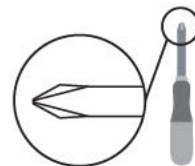
Every cam lock bolt must have a cam lock connector in order to fasten the parts together.



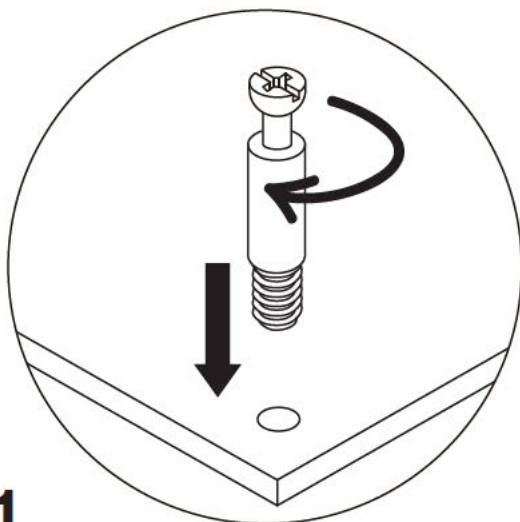
cam bolt



cam lock

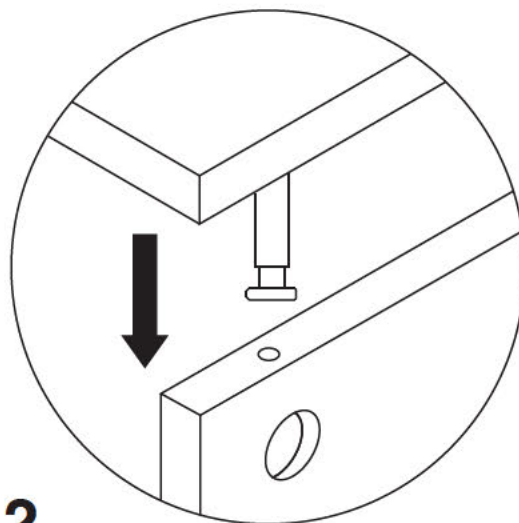


screwdriver



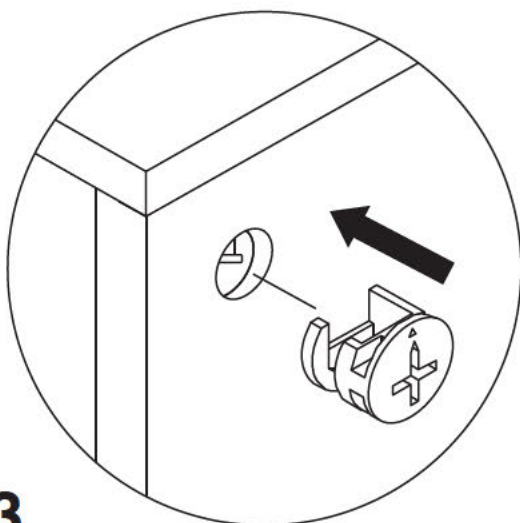
1

Screw the cam bolt into panel.



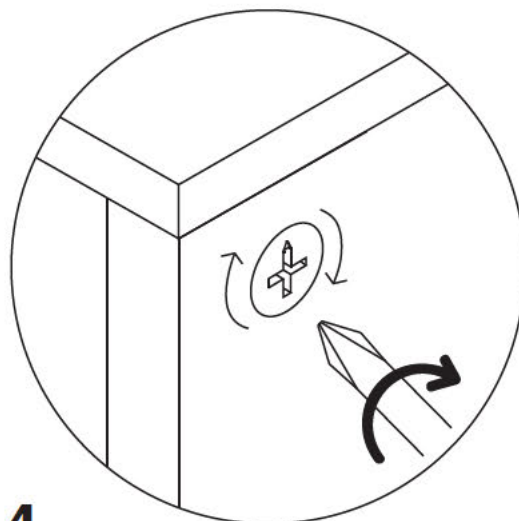
2

Insert the cam bolt into the bolt hole of joint panel.



3

Align the cam lock with its side opening (or arrow) pointing to cam bolt.



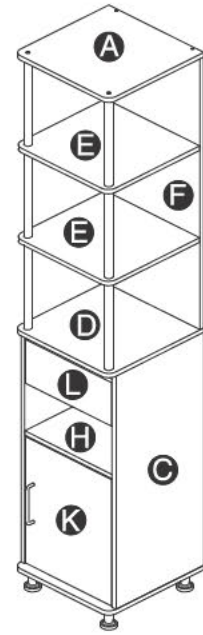
4

Turn the cam lock clockwise gently until it will not turn any more.

TV TOWER

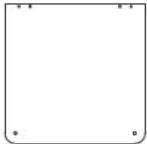


- Please keep instructions for future reference.
- Check the quantity and irregularity of parts and hardware before you start.



PARTS

A1PC



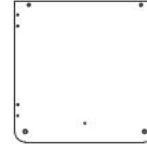
B1PC



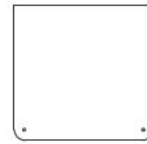
C1PC



D1PC



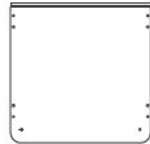
E2PCS



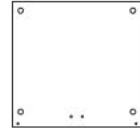
F1PC



G1PC



H1PC



I1PC



J1PC



K1PC



L1PC



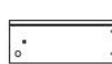
M1PC



N1PC



O1PC



P1PC



Q1PC



HARDWARE

① 10PCS ② 10PCS ③ 29PCS ④ 16PCS



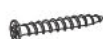
0.47"



0.98"



1.49"



⑤ 4PCS



⑥ 4PCS



⑦ 1PC



⑧ 1PC



⑨ 1PC



⑩ 1PC

Fixed



⑪ 2PCS



⑫ 6PCS



ACCESSORIES

A1 4PCS



A2 16PCS

0.62"



A3 4PCS



A4 1PC



A5 2PCS



A6 6SETS



A7 1PC



A8 1PC



A9 1PC



A10 1PC



A11 1PC



A12 1PC



A13 2PCS



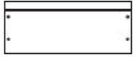
A14 1PC



GET READY

Please group boards as below.

L1PC



M1PC



N1PC



O1PC

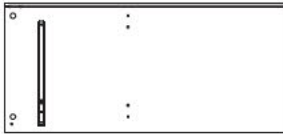


P1PC



Drawer

B1PC



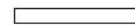
C1PC



H1PC



I1PC



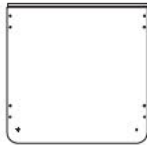
J1PC



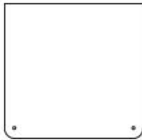
Q1PC



G1PC



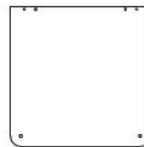
E2PCS



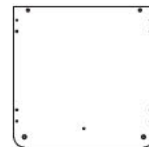
F1PC



A1PC

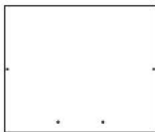


D1PC



Body

K1PC



Doors

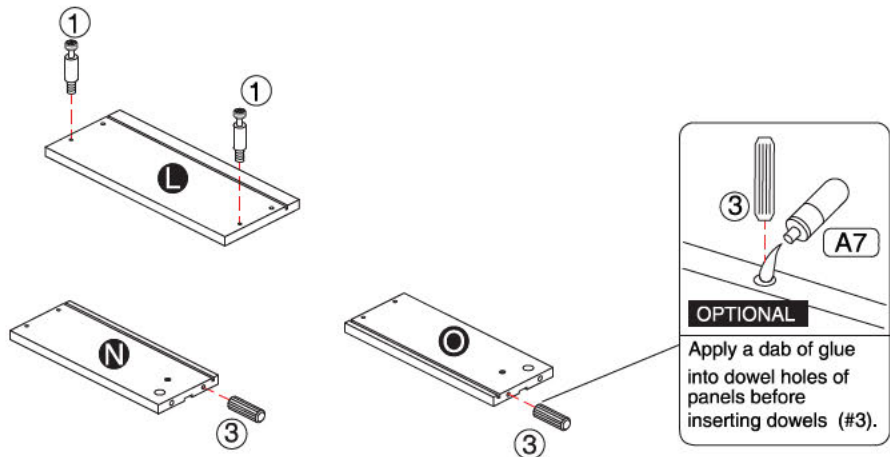
ASSEMBLY INSTRUCTIONS

1

Hardware ① x 2PCS

Hardware ③ x 2PCS

Accessory (A7) x 1PC



2

Part L x1PC

Part M x1PC

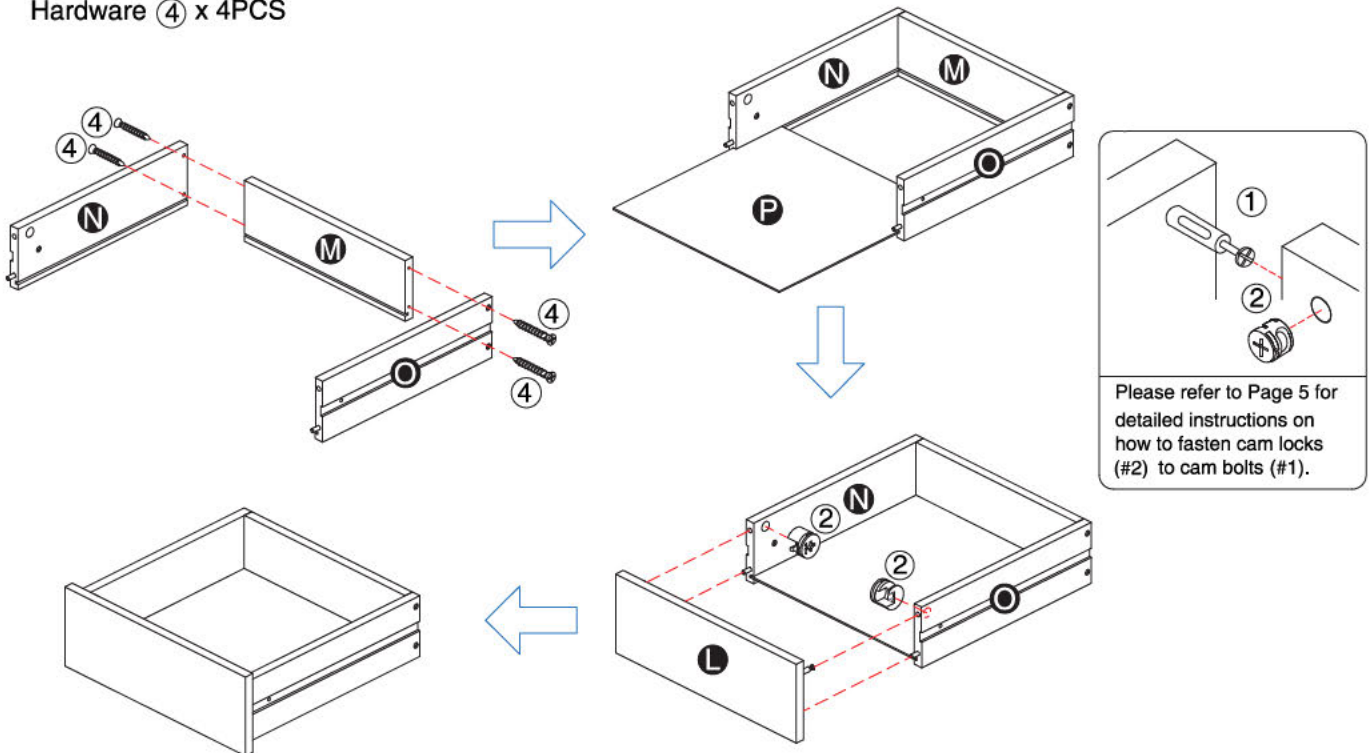
Part N x1PC

Part O x1PC

Part P x1PC

Hardware ② x 2PCS

Hardware ④ x 4PCS



ASSEMBLY INSTRUCTIONS

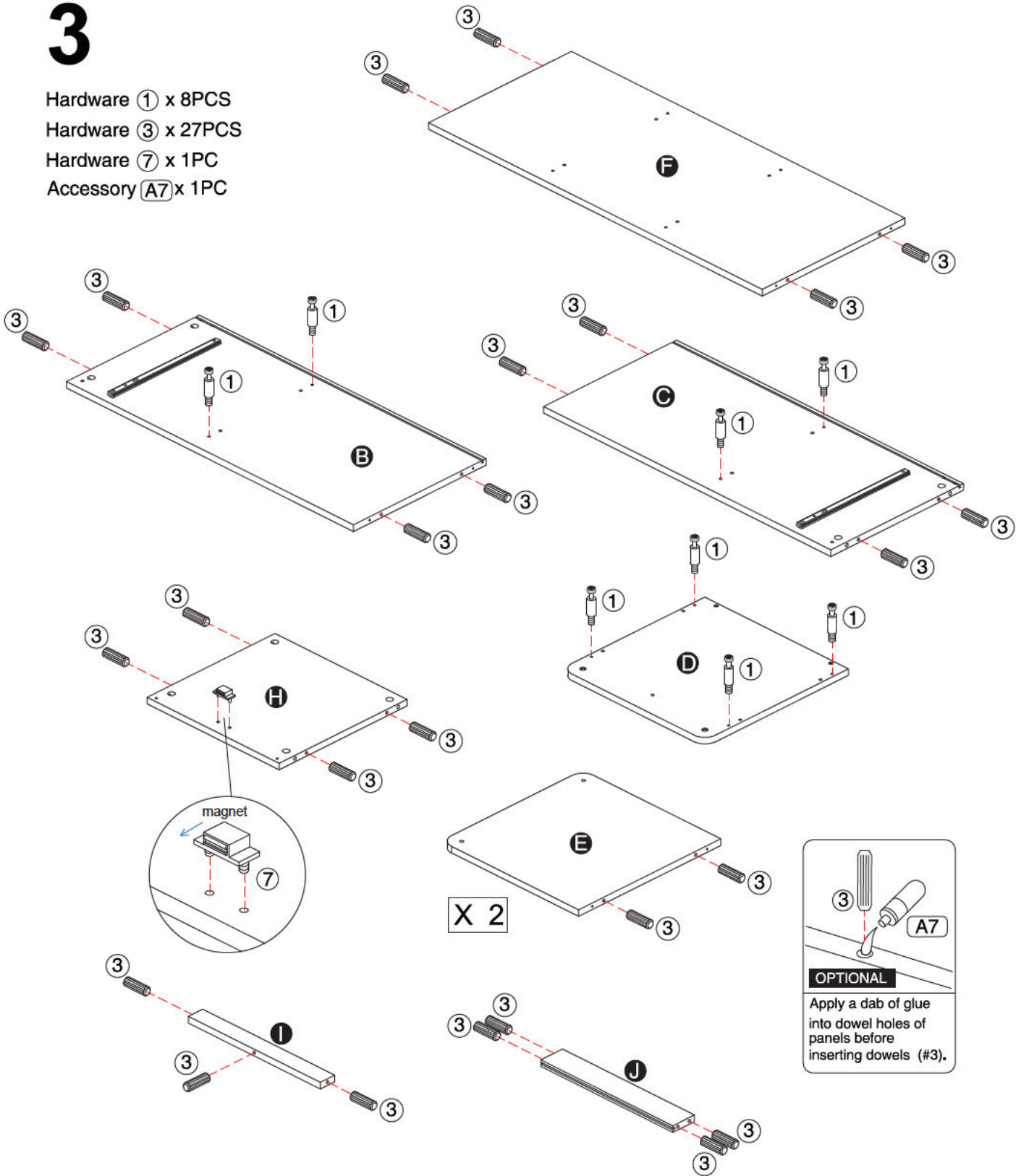
3

Hardware ① x 8PCS

Hardware ③ x 27PCS

Hardware ⑦ x 1PC

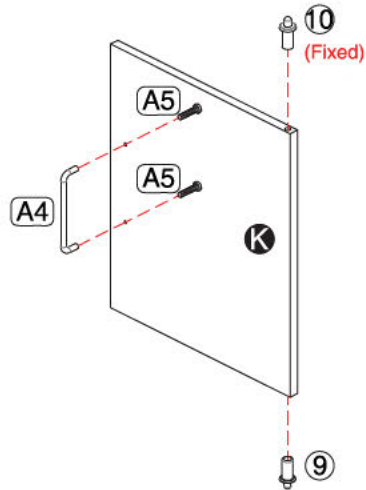
Accessory A7 x 1PC



ASSEMBLY INSTRUCTIONS

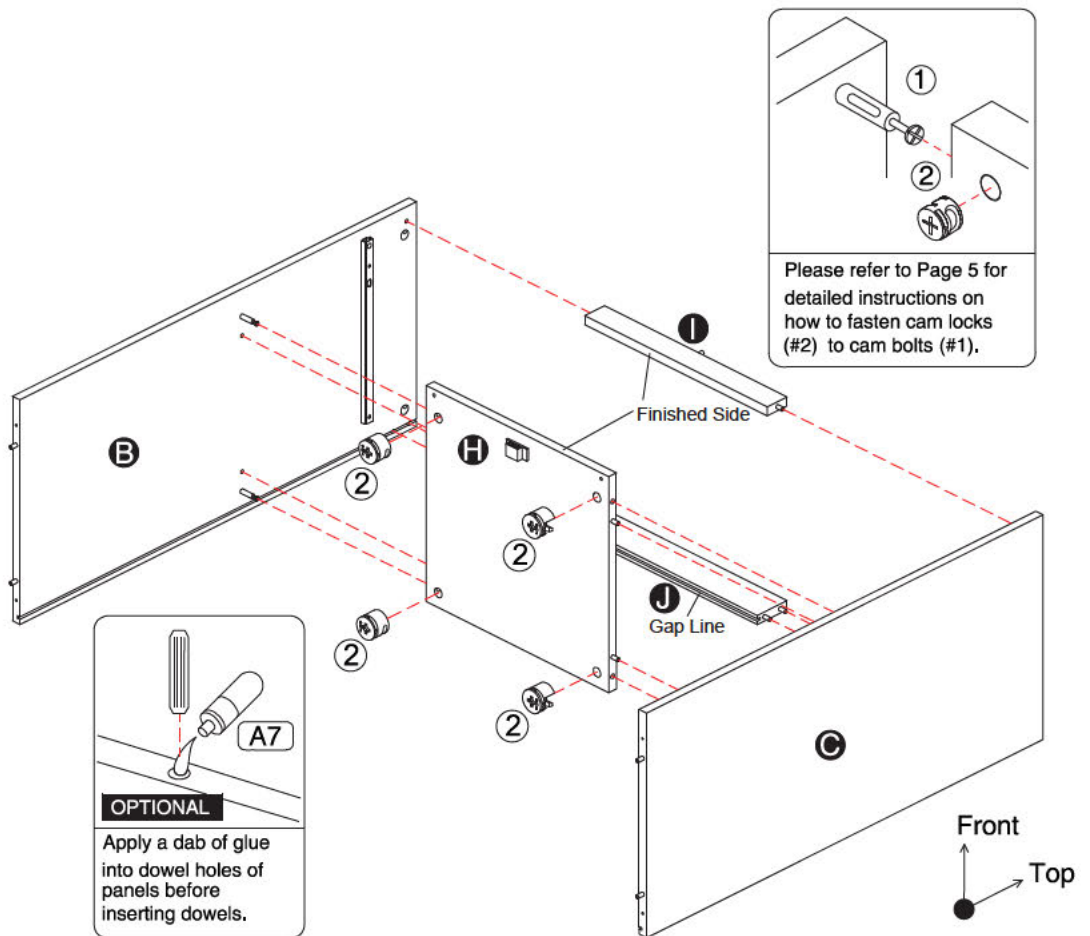
4

- Hardware ⑨ x 1PC
- Hardware ⑩ x 1PC
- Accessory ④ x 1PC
- Accessory ⑤ x 2PCS



5

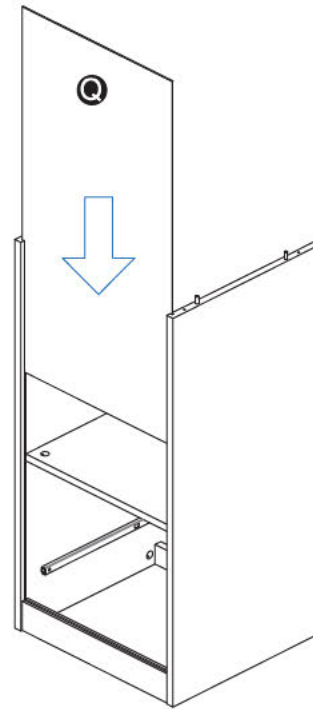
- Part ③ x 1PC
- Part ⑥ x 1PC
- Part ⑧ x 1PC
- Part ⑩ x 1PC
- Part ⑪ x 1PC
- Hardware ② x 4PCS
- Accessory ⑦ x 1PC



ASSEMBLY INSTRUCTIONS

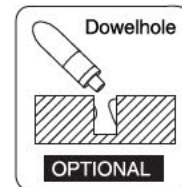
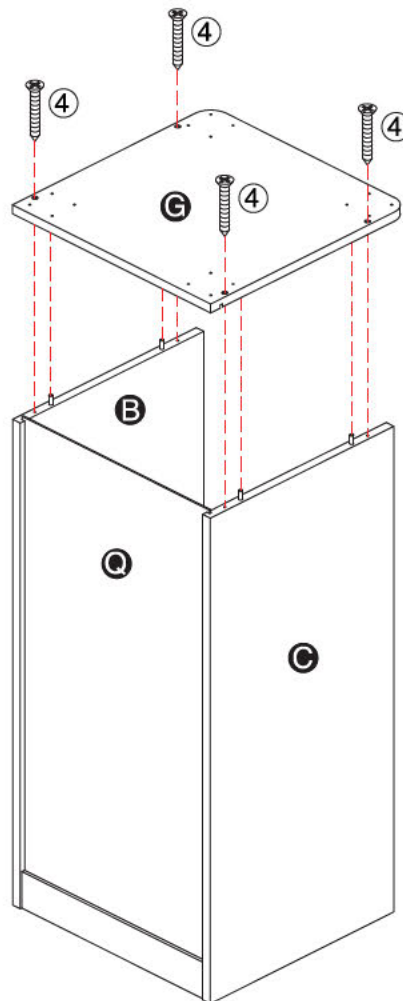
6

Part **C** x1PC



7

Part **C** x1PC
Hardware **4** x 4PCS

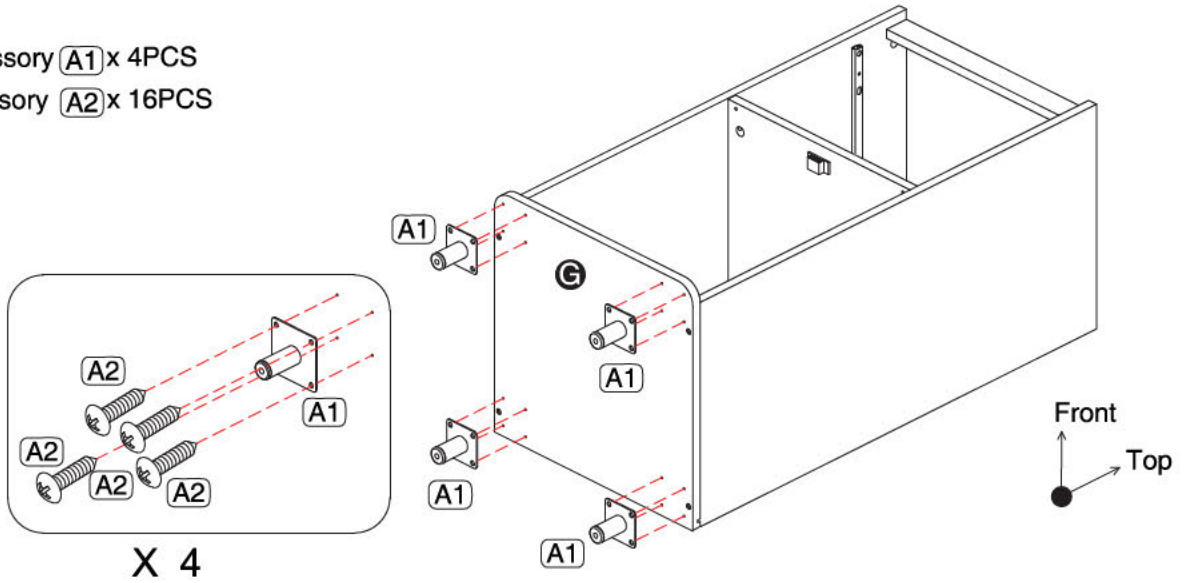


ASSEMBLY INSTRUCTIONS

8

Accessory **A1** x 4PCS

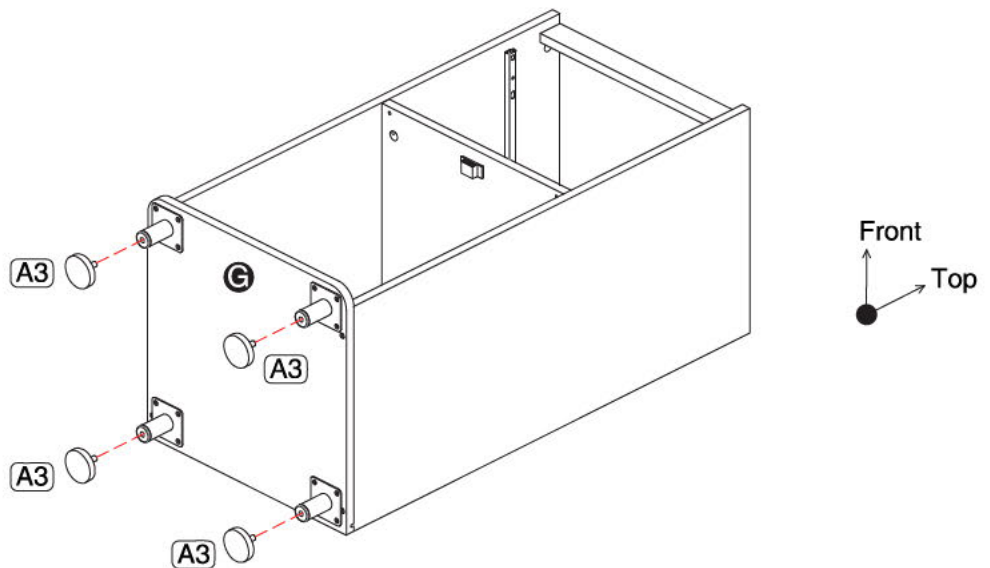
Accessory **A2** x 16PCS



X 4

9

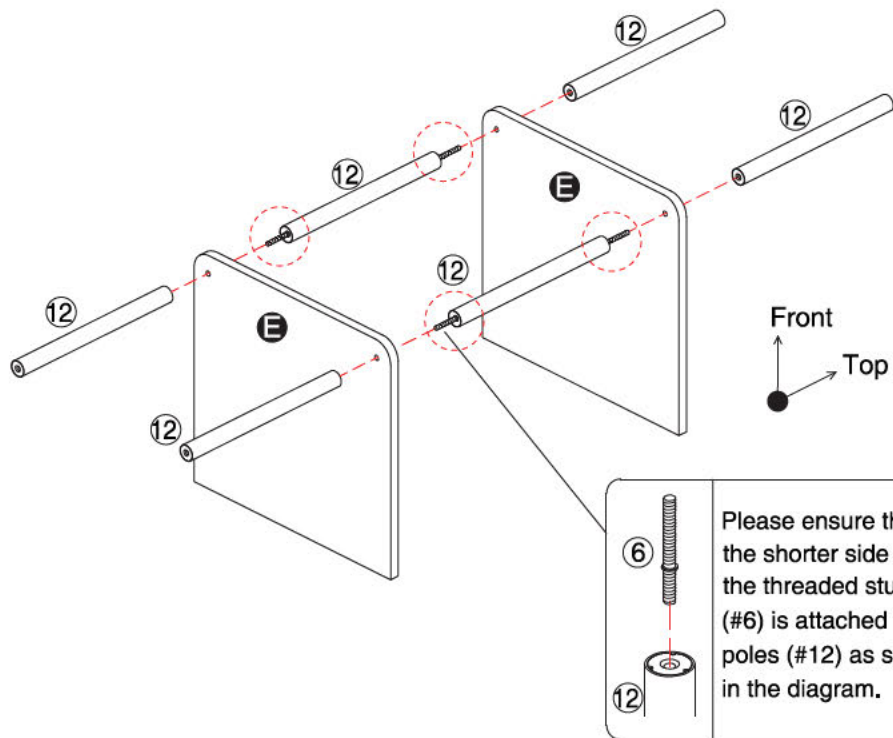
Accessory **A3** x 4PCS



ASSEMBLY INSTRUCTIONS

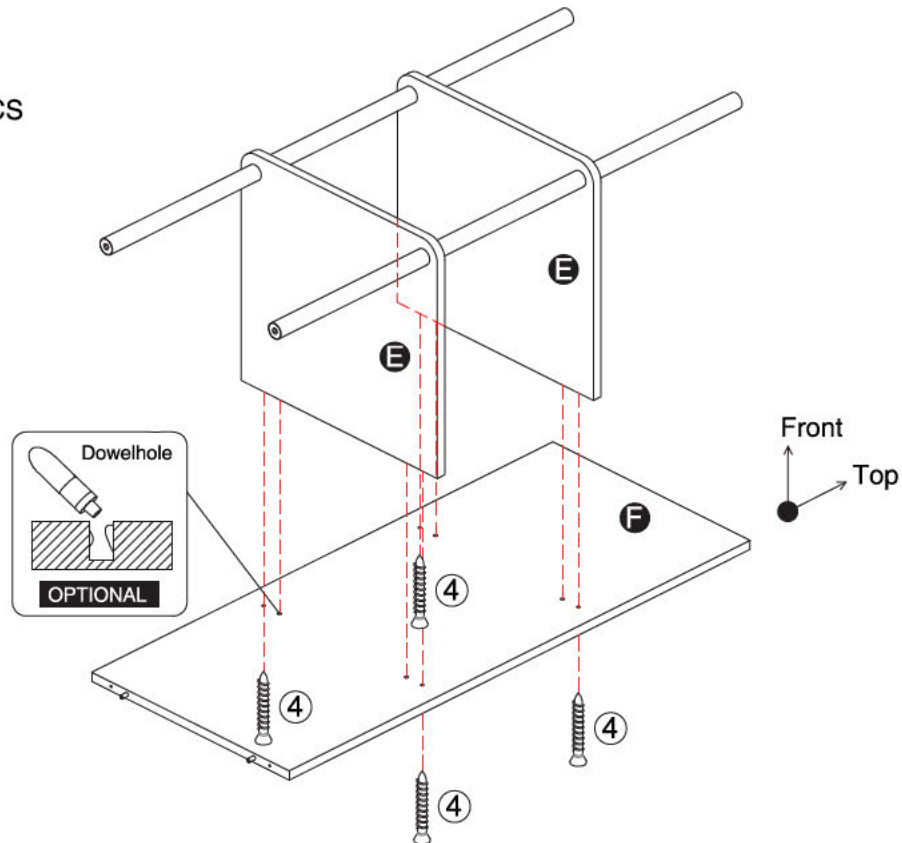
10

Part **E** x2PCS
Hardware **6** x 4PCS
Hardware **12** x 6PCS



11

Part **F** x1PC
Hardware **4** x 4PCS



ASSEMBLY INSTRUCTIONS

12

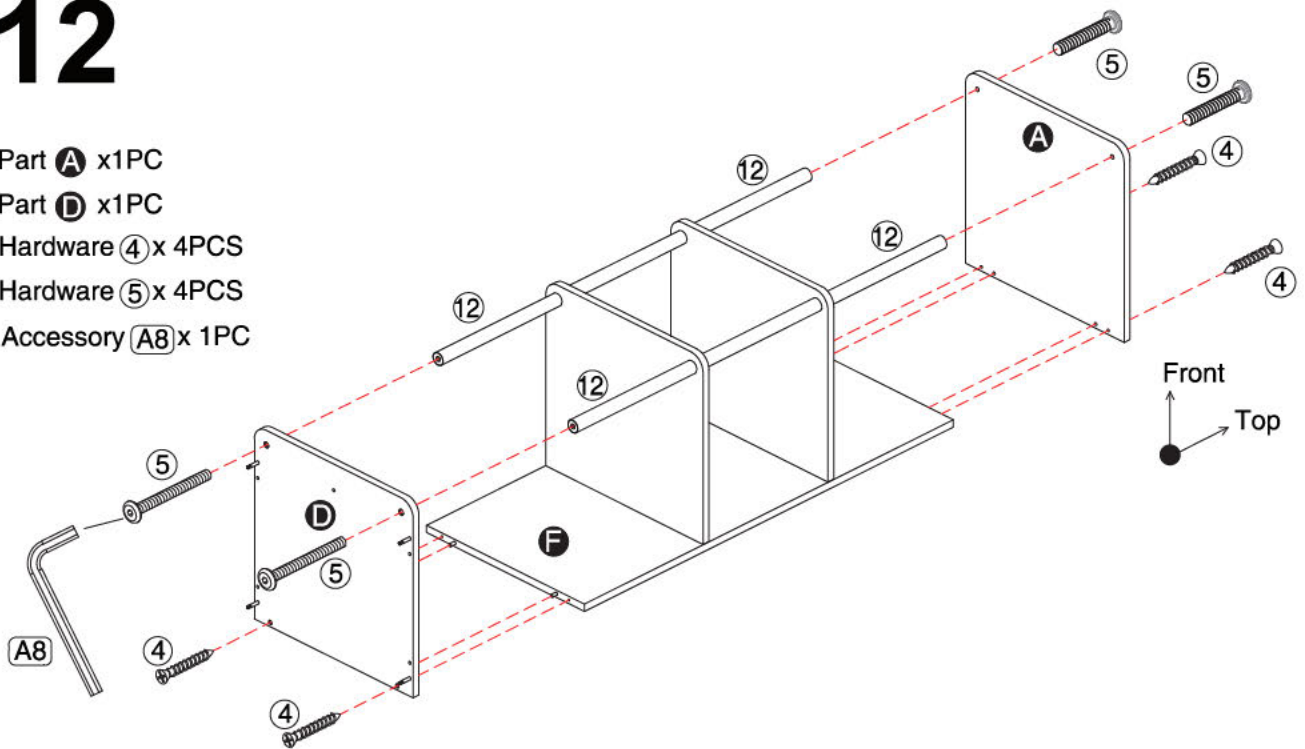
Part **A** x1PC

Part **D** x1PC

Hardware **4** x 4PCS

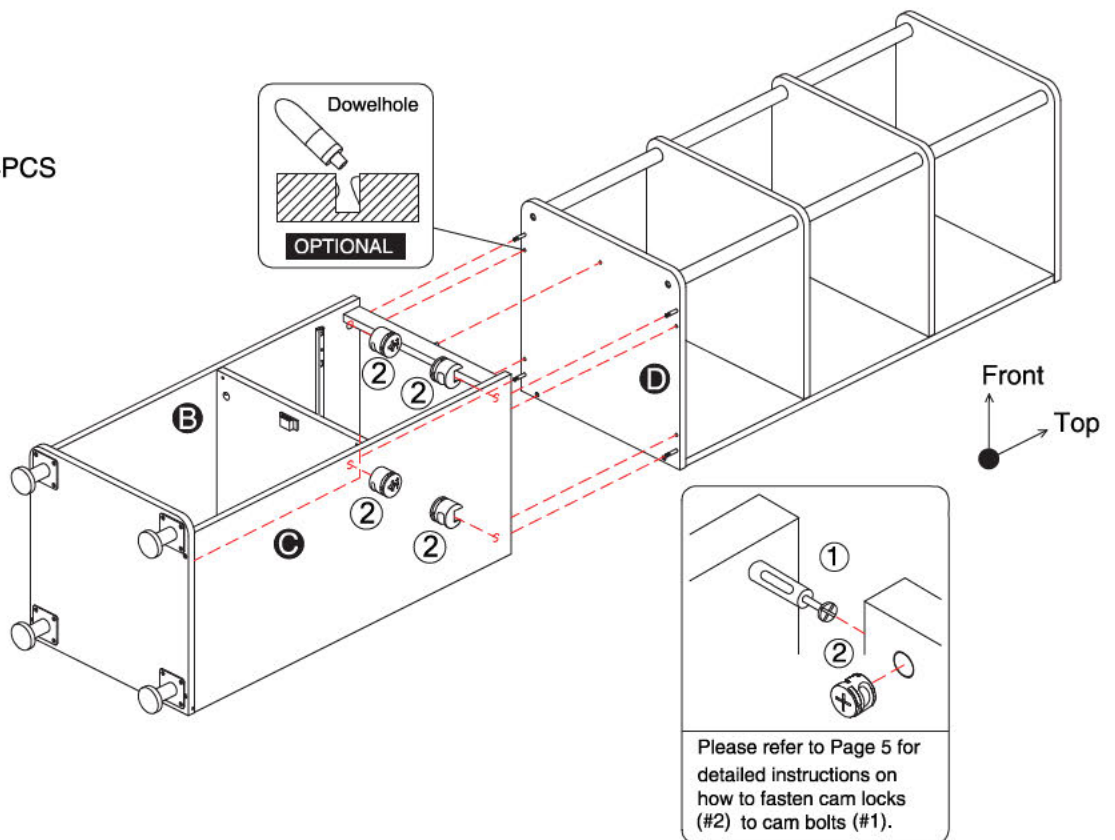
Hardware **5** x 4PCS

Accessory **A8** x 1PC



13

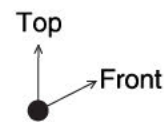
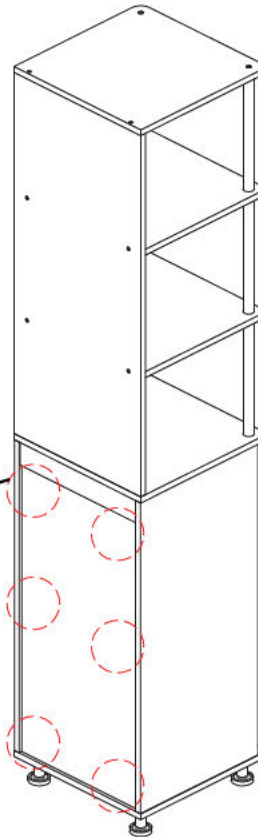
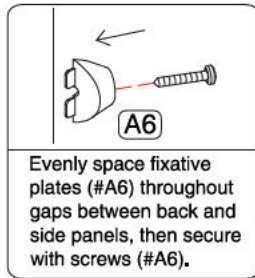
Hardware **2** x 4PCS



ASSEMBLY INSTRUCTIONS

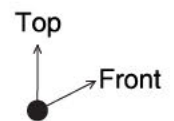
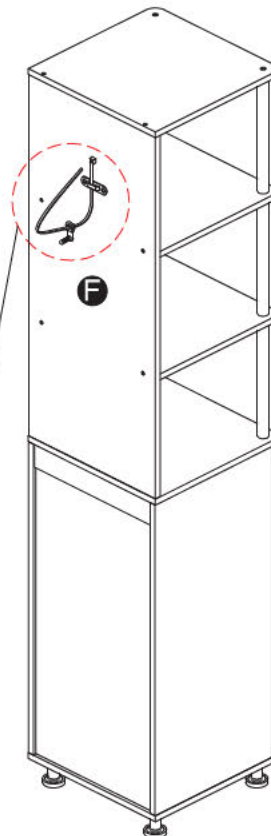
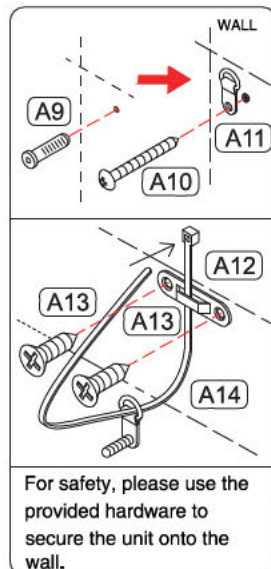
14

Accessory **A6** x 6 SETS



15

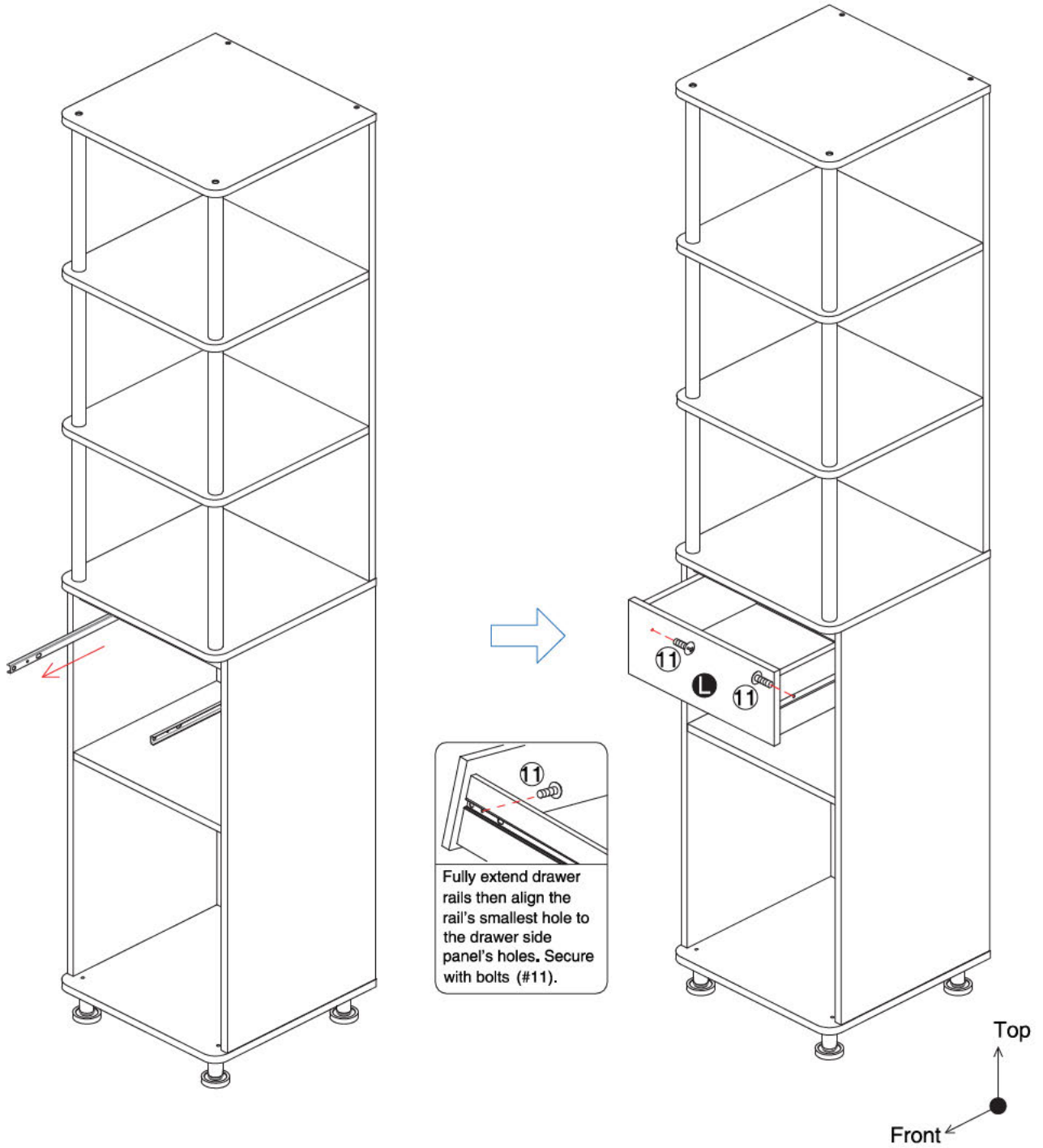
- Accessory **A9** x 1PC
- Accessory **A10** x 1PC
- Accessory **A11** x 1PC
- Accessory **A12** x 1PC
- Accessory **A13** x 2PCS
- Accessory **A14** x 1PC



ASSEMBLY INSTRUCTIONS

16

Hardware ⑪ x 2PCS



ASSEMBLY INSTRUCTIONS

17

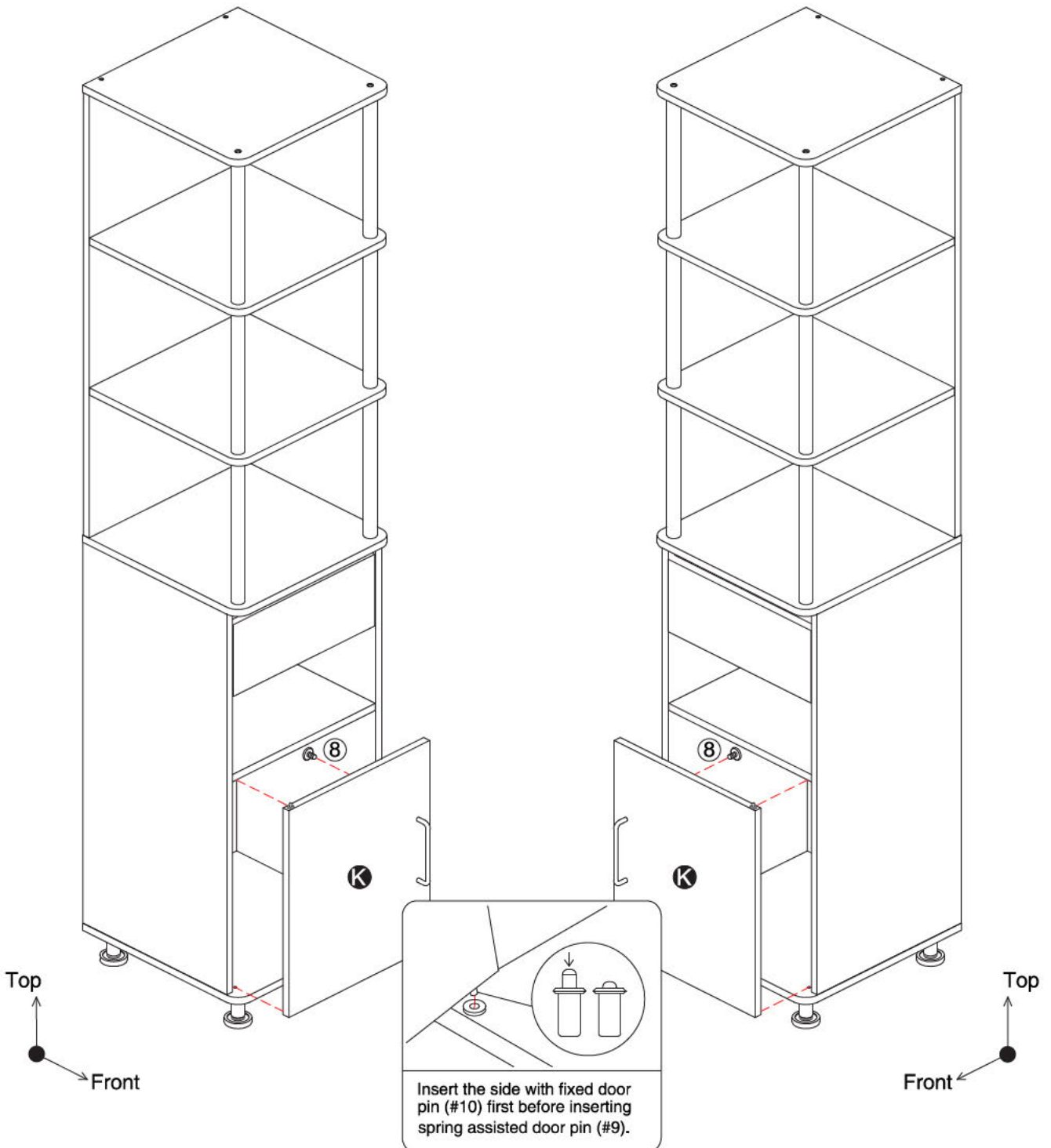
Hardware ⑧ x 1PC

Optional: You can have the door open from the left side or the right side.

Attention: Please note that once the door pins on the door is in place on the product, the door may not be interchanged to the other side. Determine the orientation of how you want the door to be before placing on the product.

Left -open Door

Right -open Door



ASSEMBLY INSTRUCTIONS

18

ASSEMBLY COMPLETED



Please ensure the furniture rests on an even and flat surface. If the product wobbles or feels loose, double-check all bolts and/or screws are properly tightened and secured.

✓ **Keep this handy!**

Please retain this instruction manual and any order-related information for future reference.

✓ **Lift, don't drag!**

To avoid damage to product please always LIFT the product when transporting or adjusting the placement.

