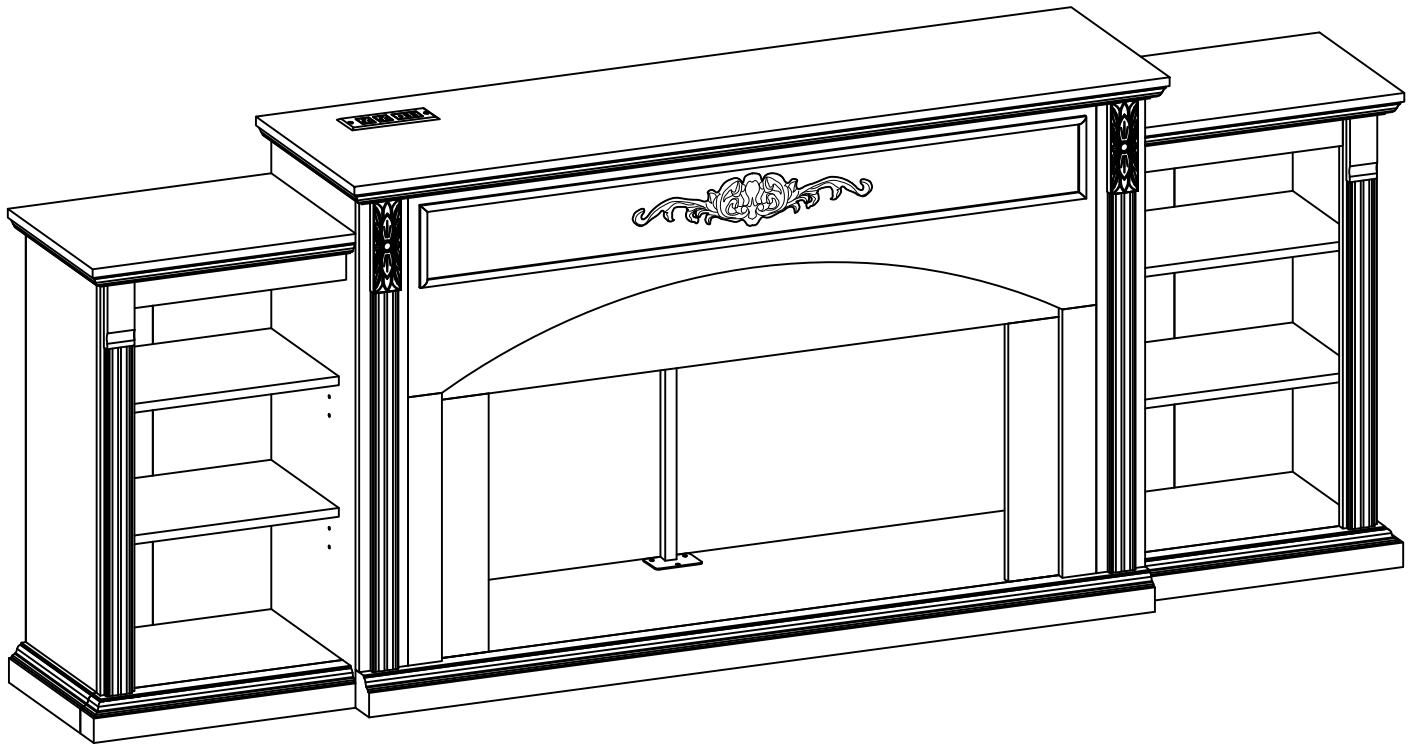
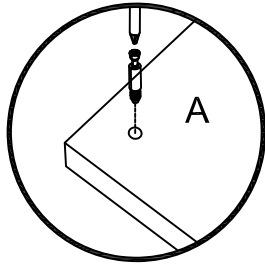


# ASSEMBLY INSTRUCTIONS

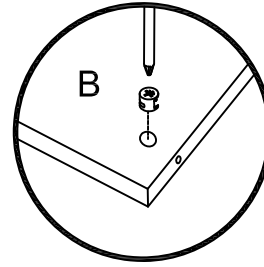


[ServiceSupport2008@126.com](mailto:ServiceSupport2008@126.com)

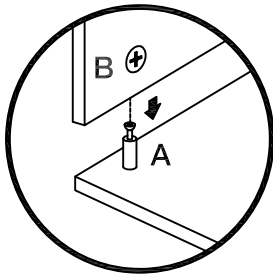
# How to use the cam lock system



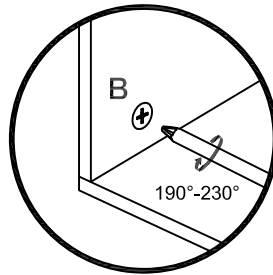
1. Screw cam bolt into panel



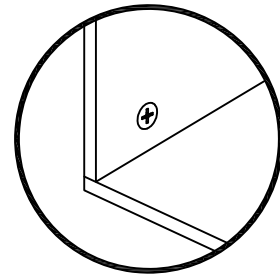
2. Push cam into panel - arrow feature on cam top points to panel edge



3. Align cam bolt(s) with cam(s) and insert all the way into cross-board hole(s)

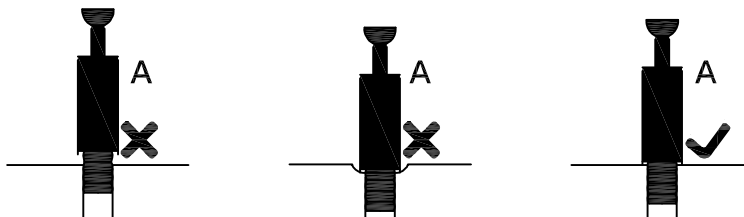
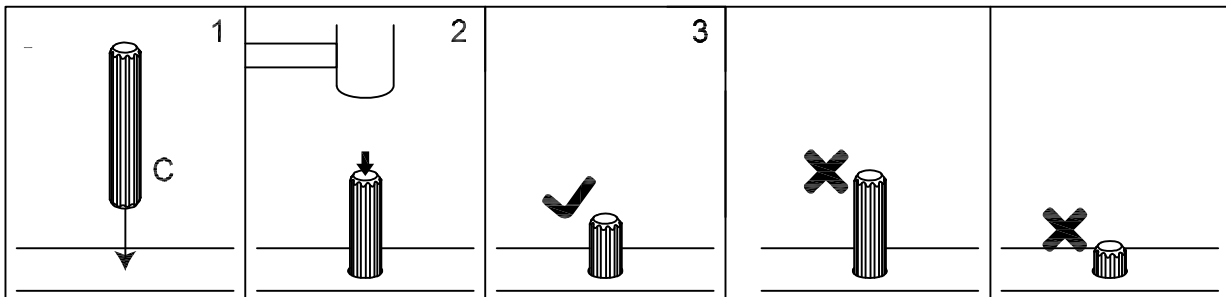


4. Rotate cam(s) clockwise 190°-230° to lock panels together



5. Panels should be tighten against each other and connection should be rigid

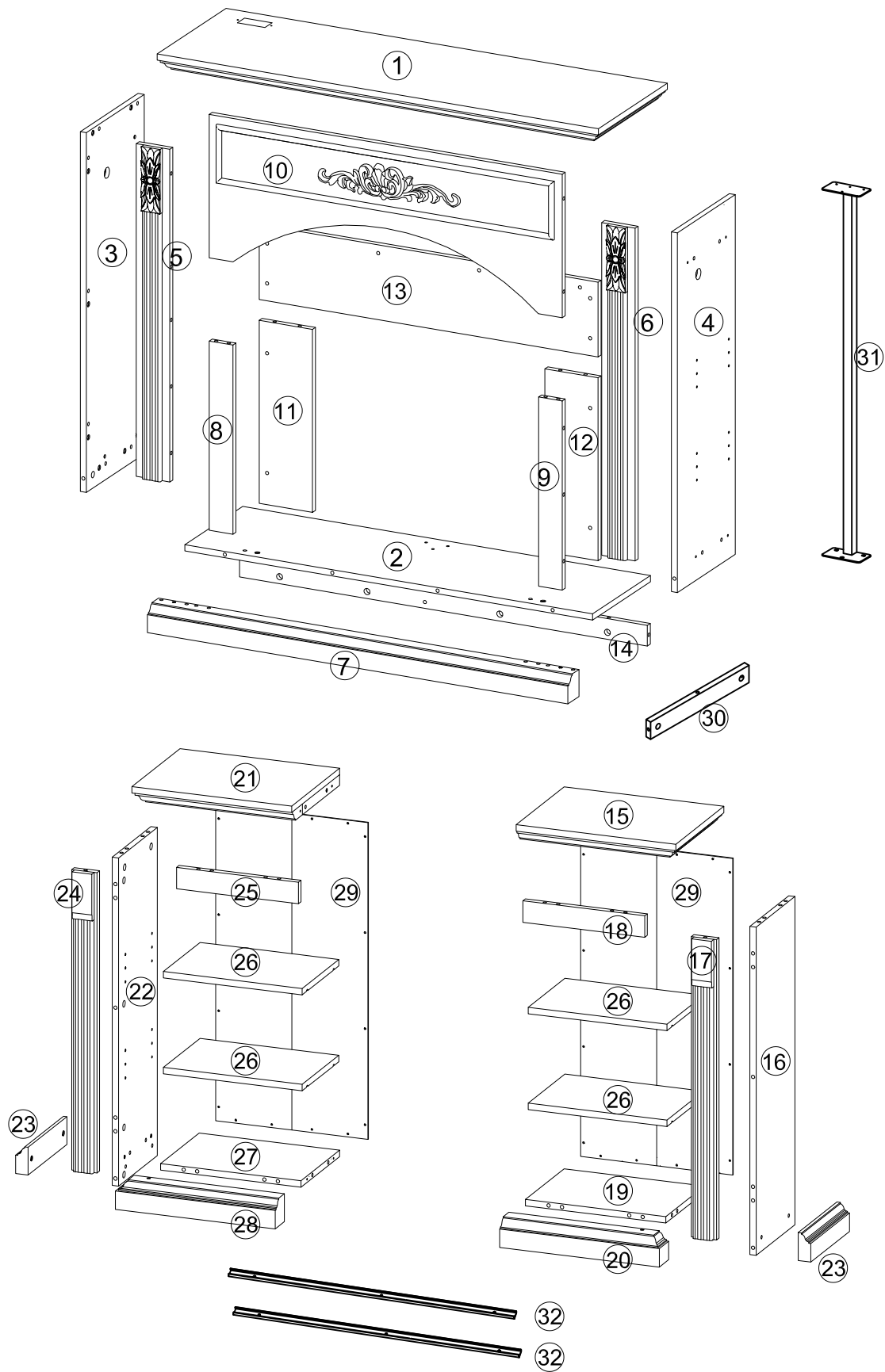
Insert the wood dowel [C] at least half way by tapping lightly with a rubber mallet, IF NECESSARY.





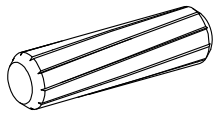
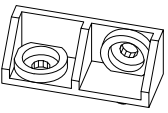
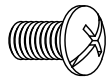
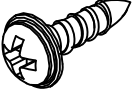
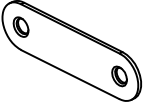
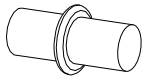
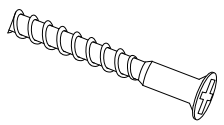
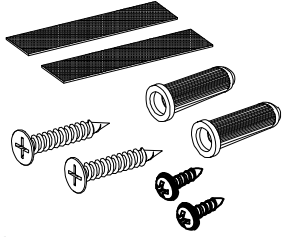
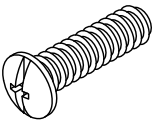
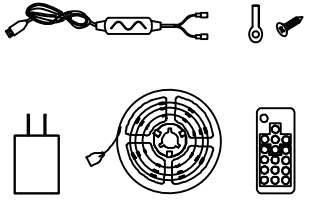
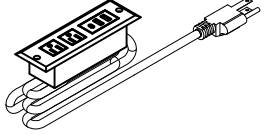
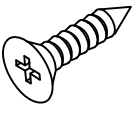
## ⚠ WARNING

- Unit must be placed on a level surface or leveled with included hardware (when applicable).
- Do not sit or stand on or allow children to climb, sit or stand on the assembled product.
- For safety reasons, it is imperative that this unit be mounted to the wall.
- Do not use without installing the tip restraint.
- Unit can tip over causing severe injury or death.
- Do not exceed the recommended weight limits.
- Evenly distribute the weight on each level and always keep the heavier loads on the bottom.
- Before cutting, drilling or hammering into any wall or floor surface, verify the location of electrical, plumbing and gas lines. Cutting may cause serious injury.

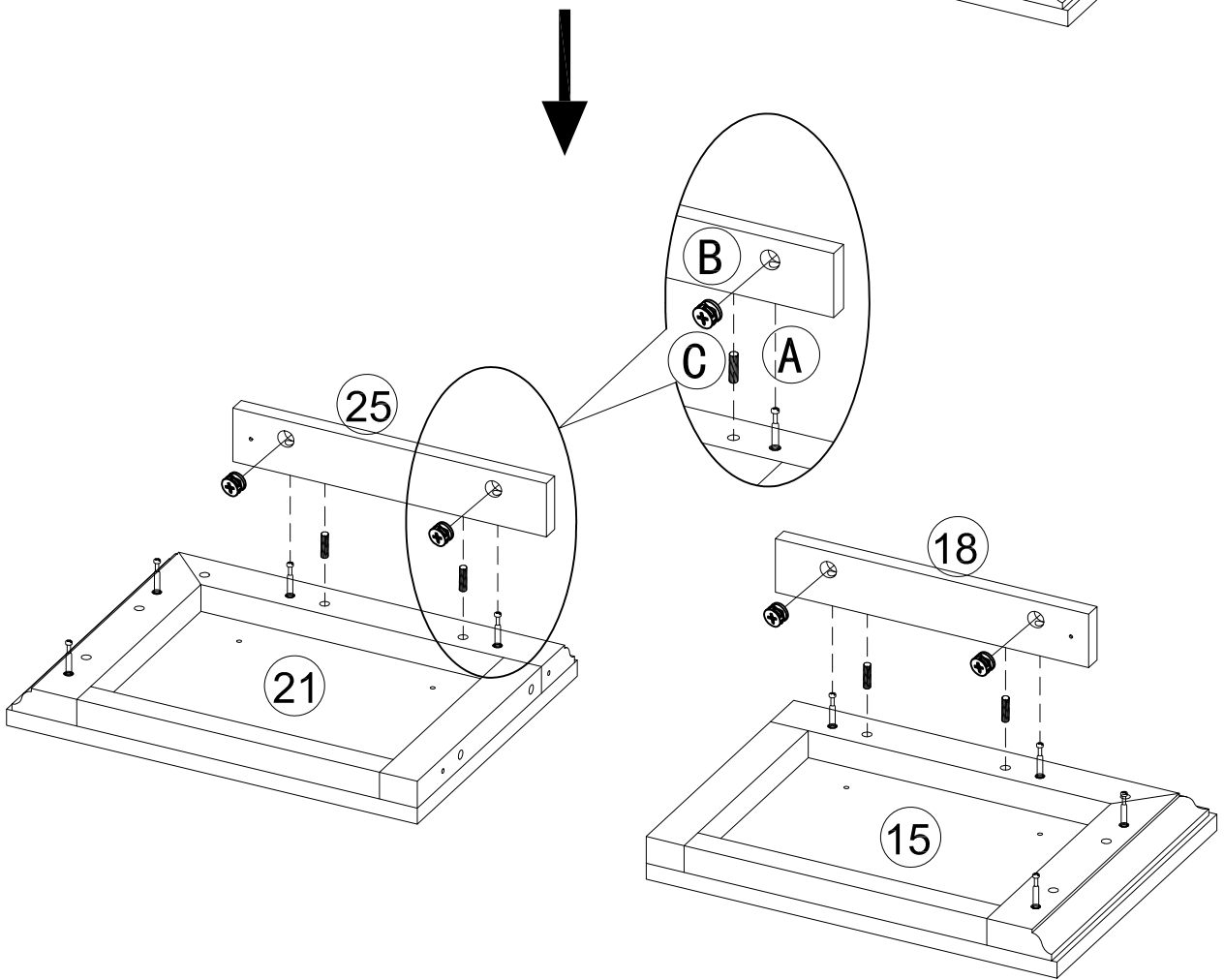
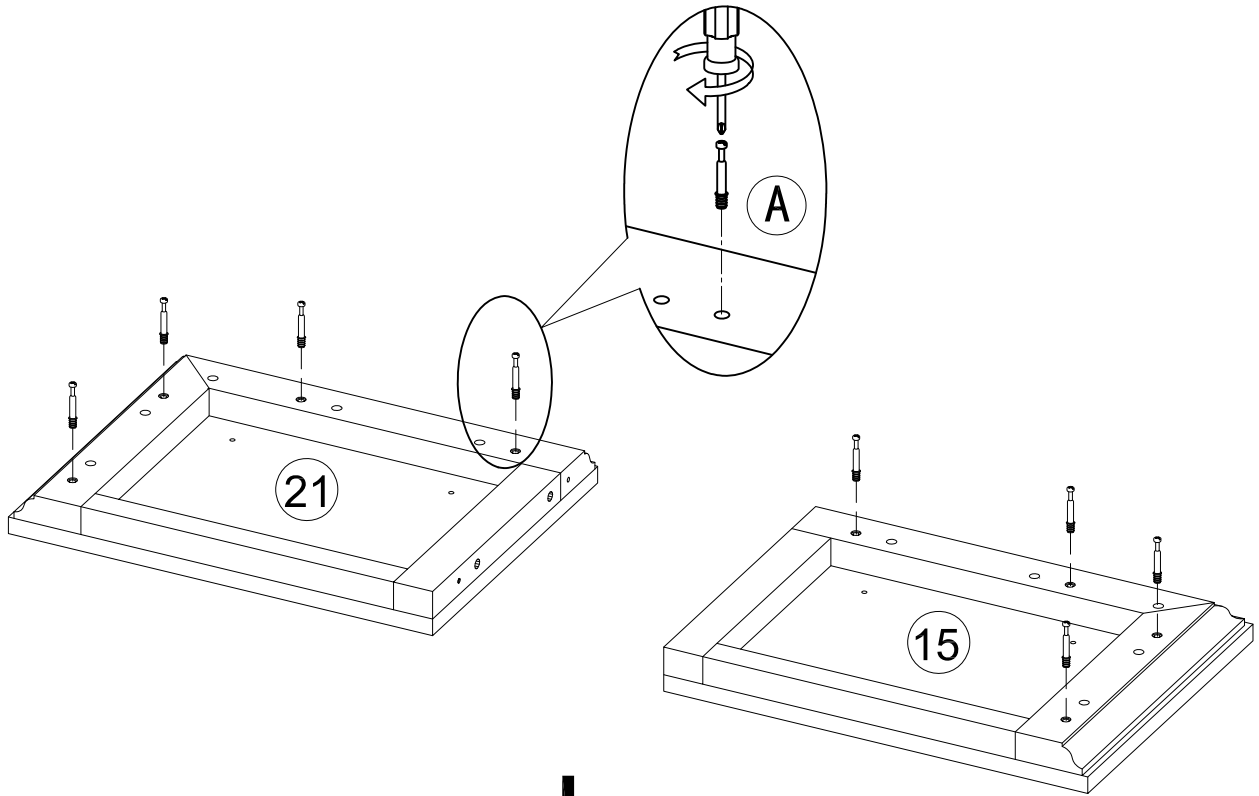
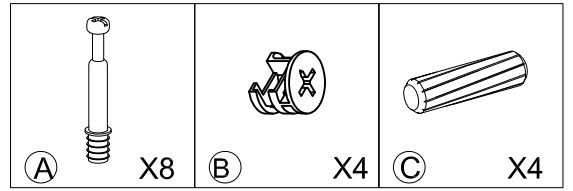
# PACKAGE INCLUDE



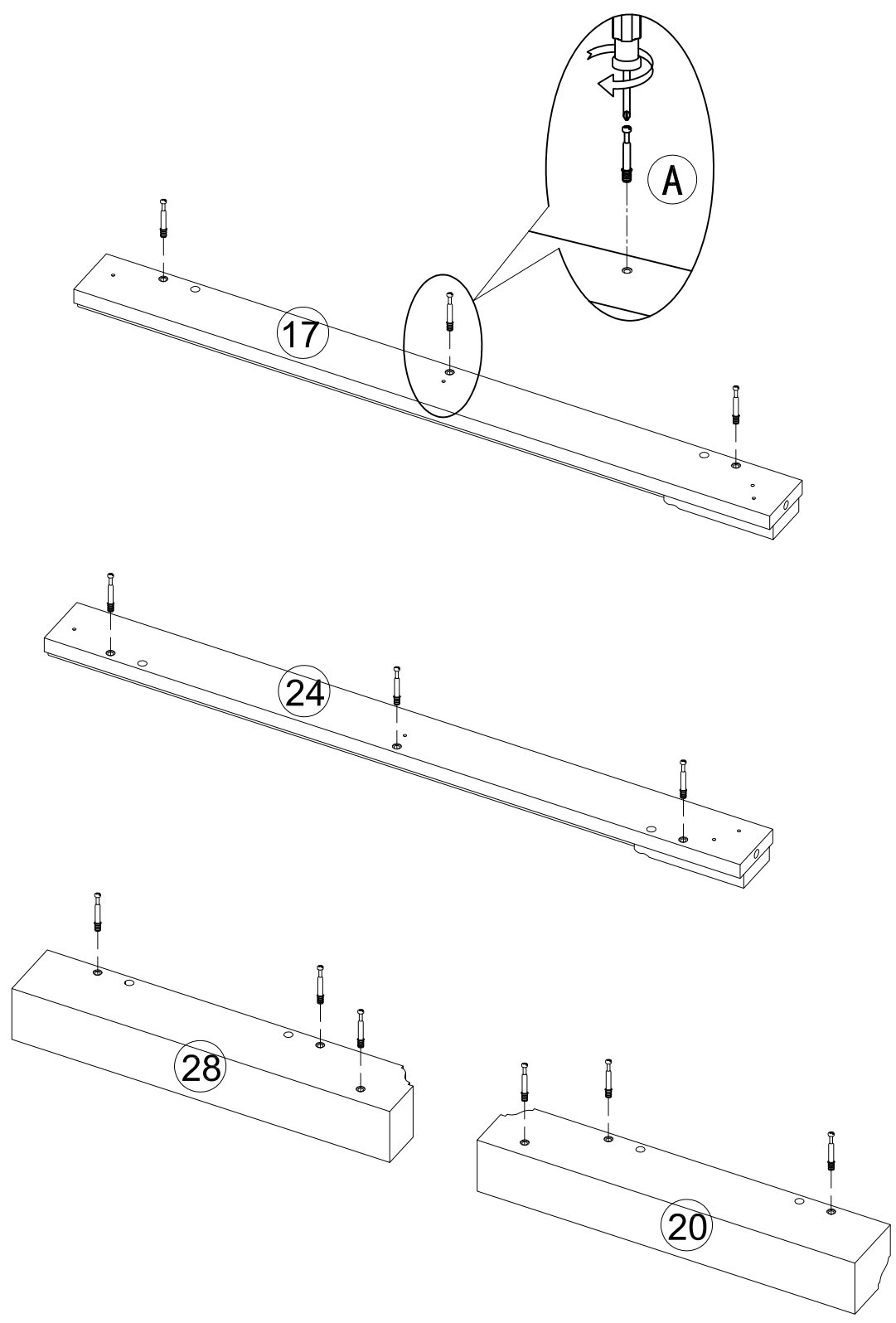
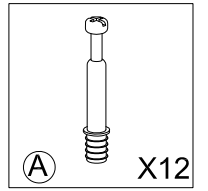
# PACKAGE CONTENT

 <b>A</b> 38X+2	 <b>B</b> 38X+2	<p>Ø8X30MM</p>  <b>C</b> 61X+2	 <b>D</b> 19X
 <b>E</b> 38X+1	<p>Ø3.5X12MM</p>  <b>F</b> 62X+2	 <b>G</b> 12X	 <b>H</b> 16X+1
 <b>I</b> 8X	 <b>J</b> 1X	 <b>K</b> 16X+1	 <b>L</b> 1X
 <b>M</b> 1X	<p>Ø3.5X12MM</p>  <b>N</b> 8X		

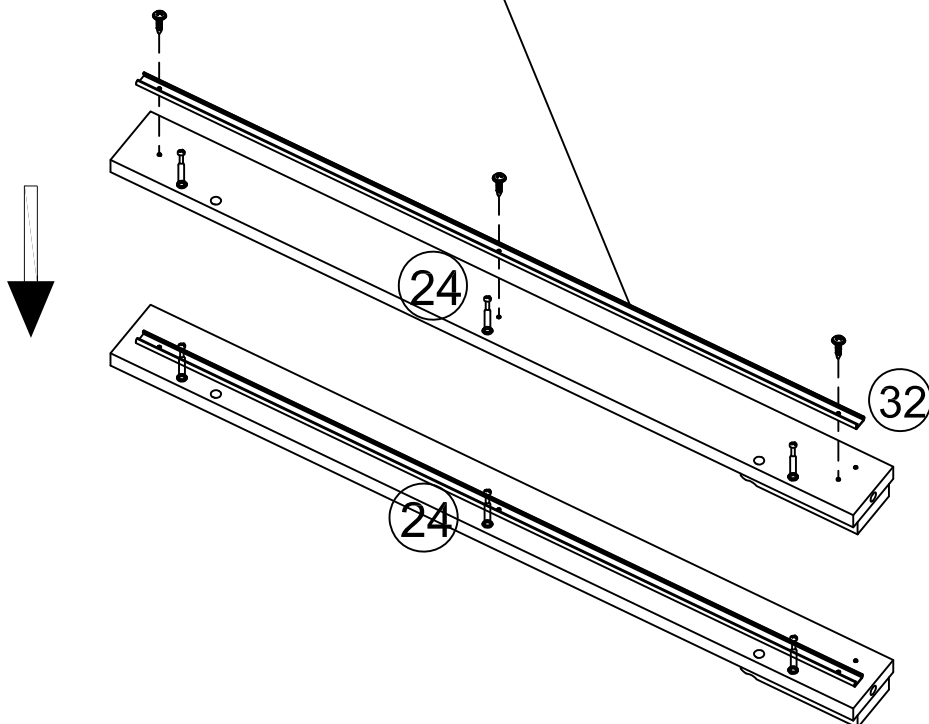
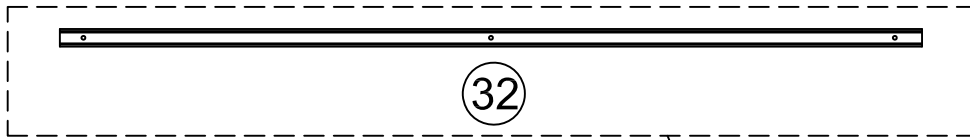
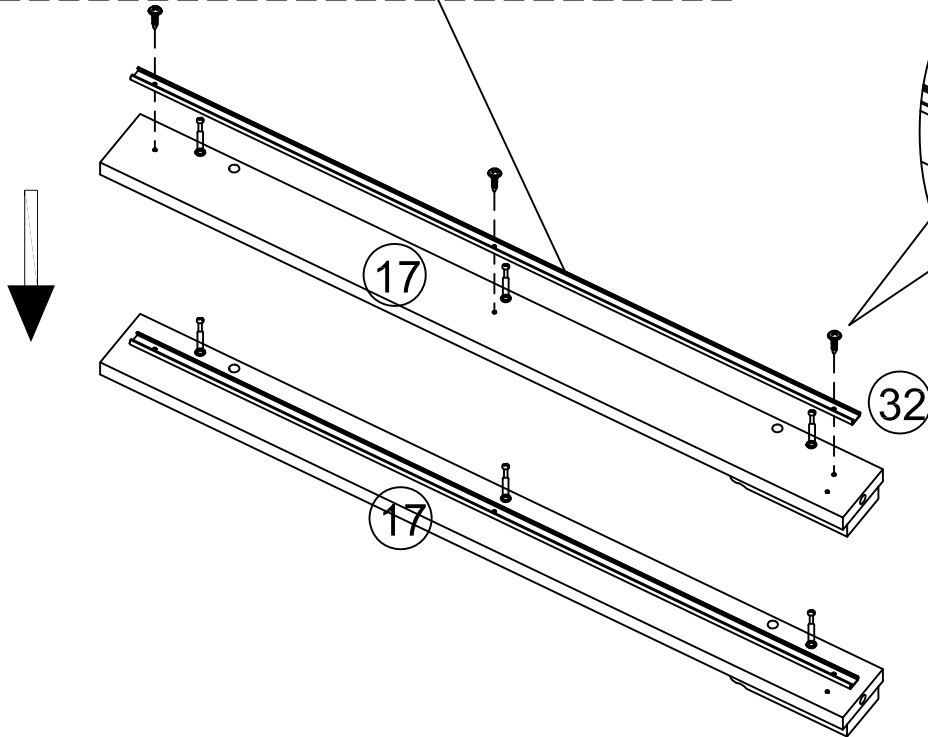
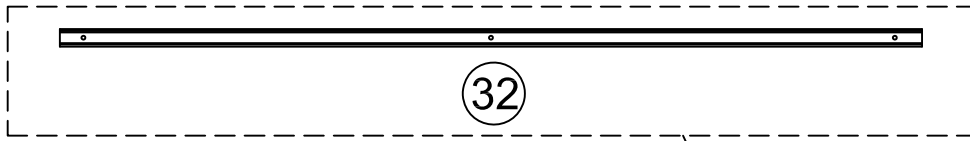
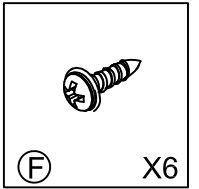
# STEP 1



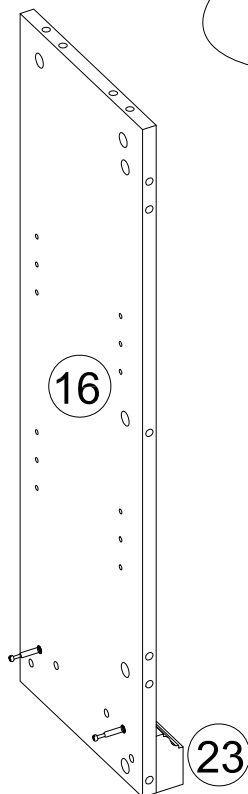
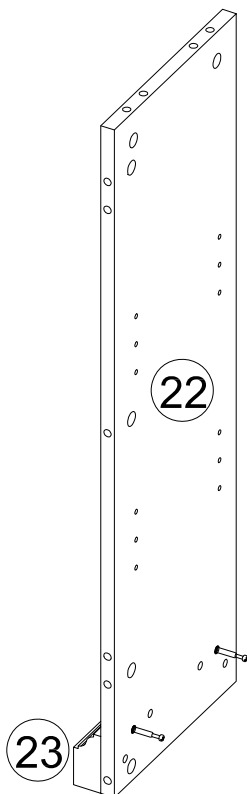
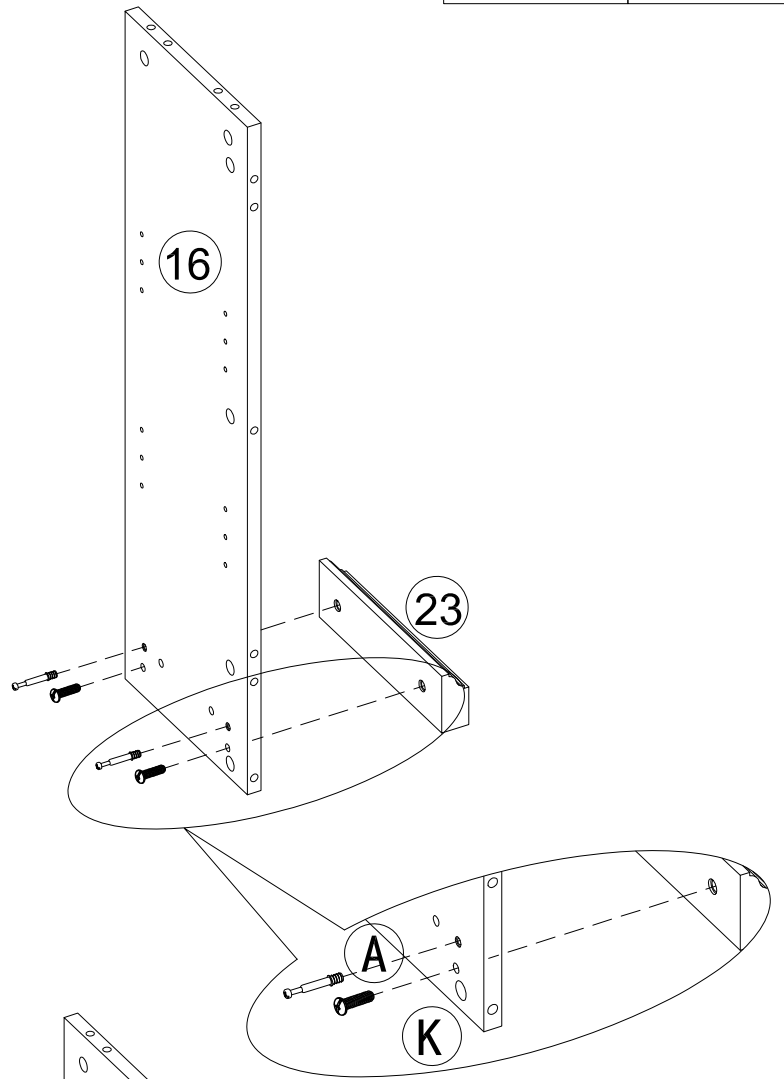
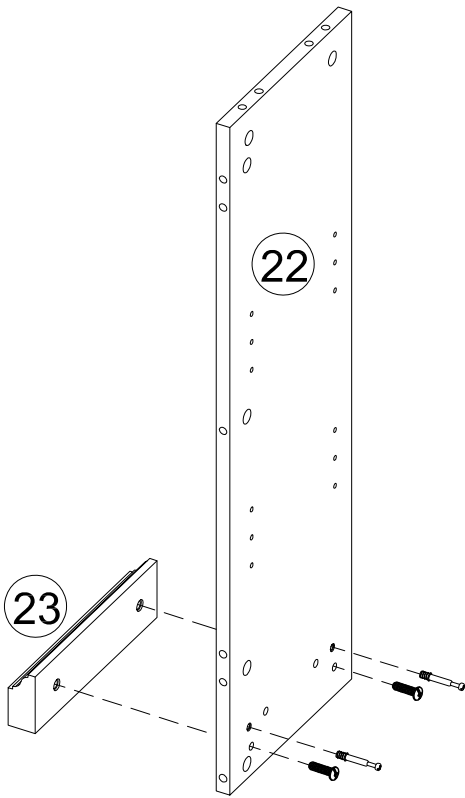
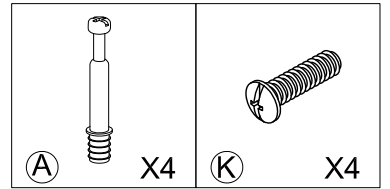
# STEP 2



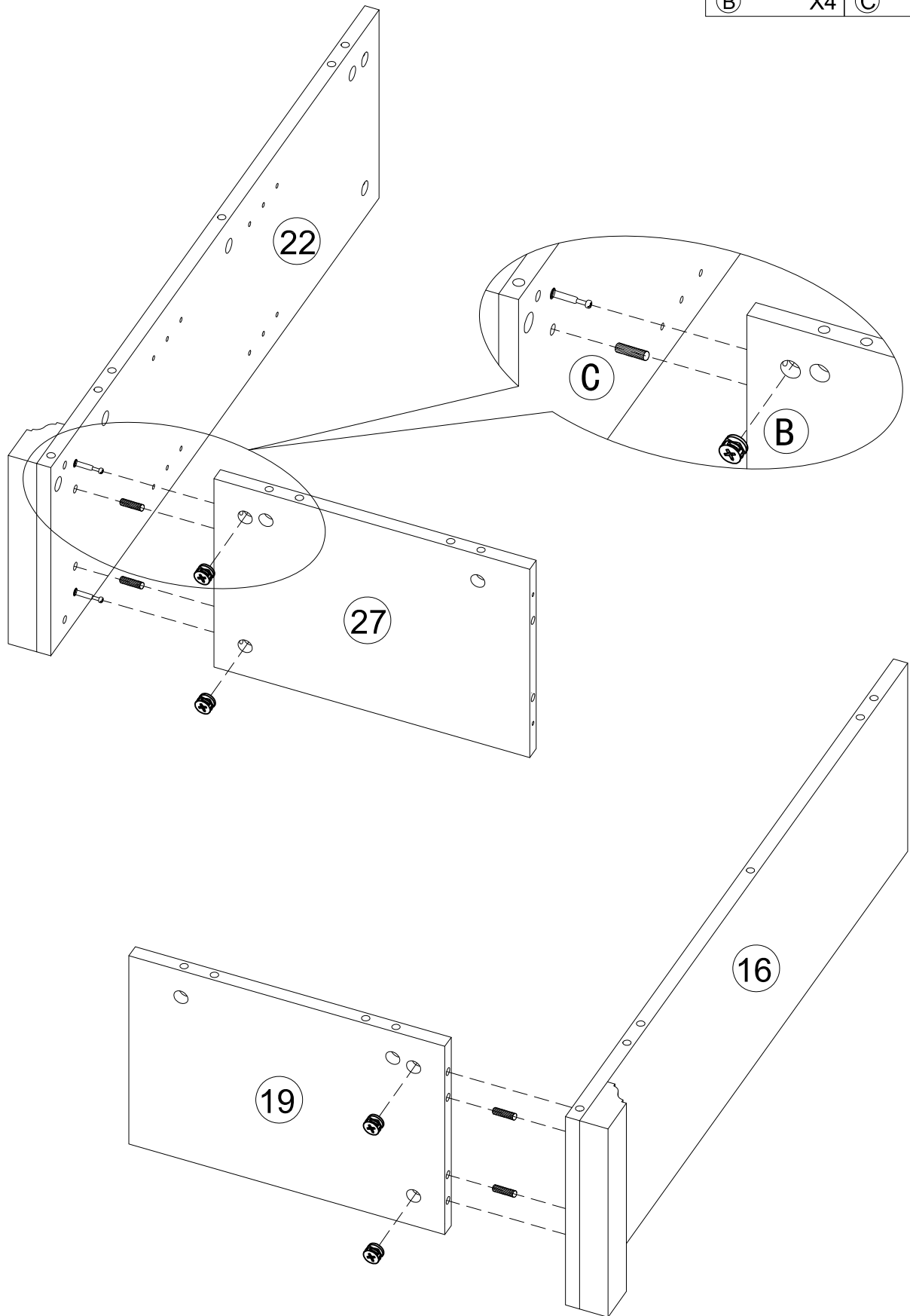
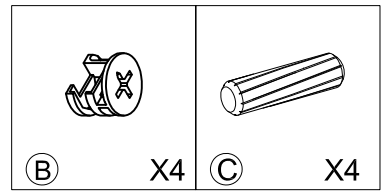
# STEP 3





# STEP 4

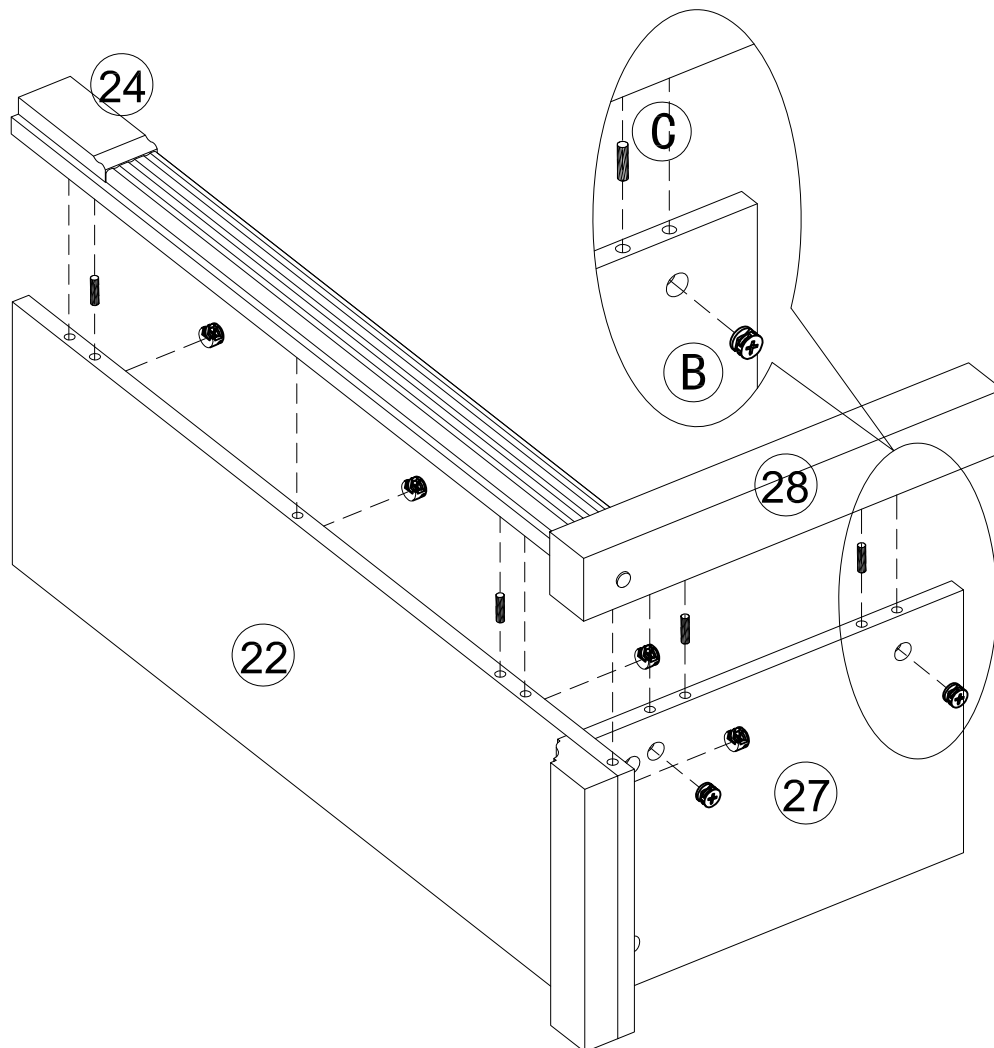
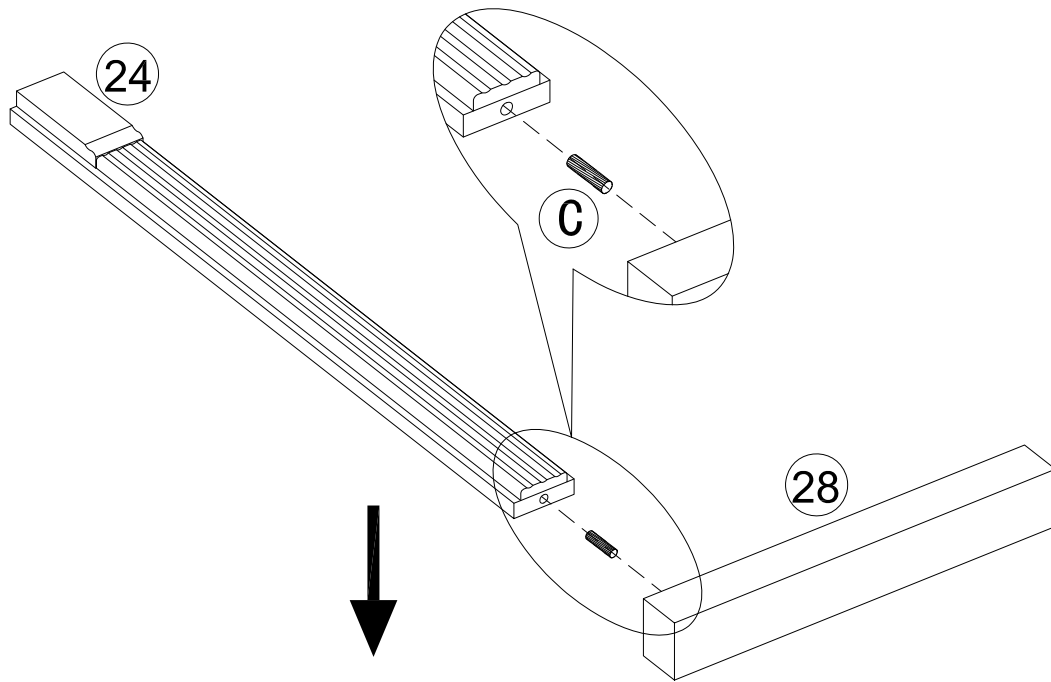


# STEP 5

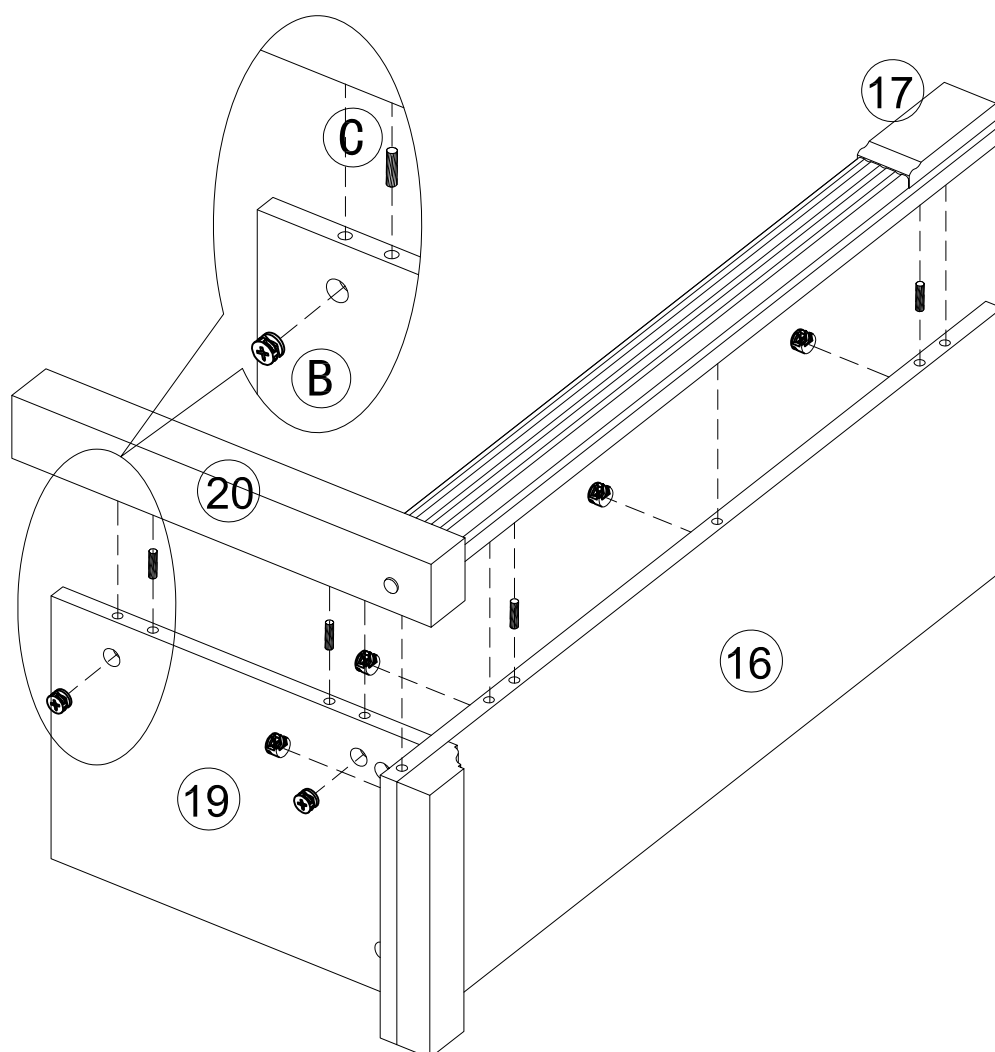
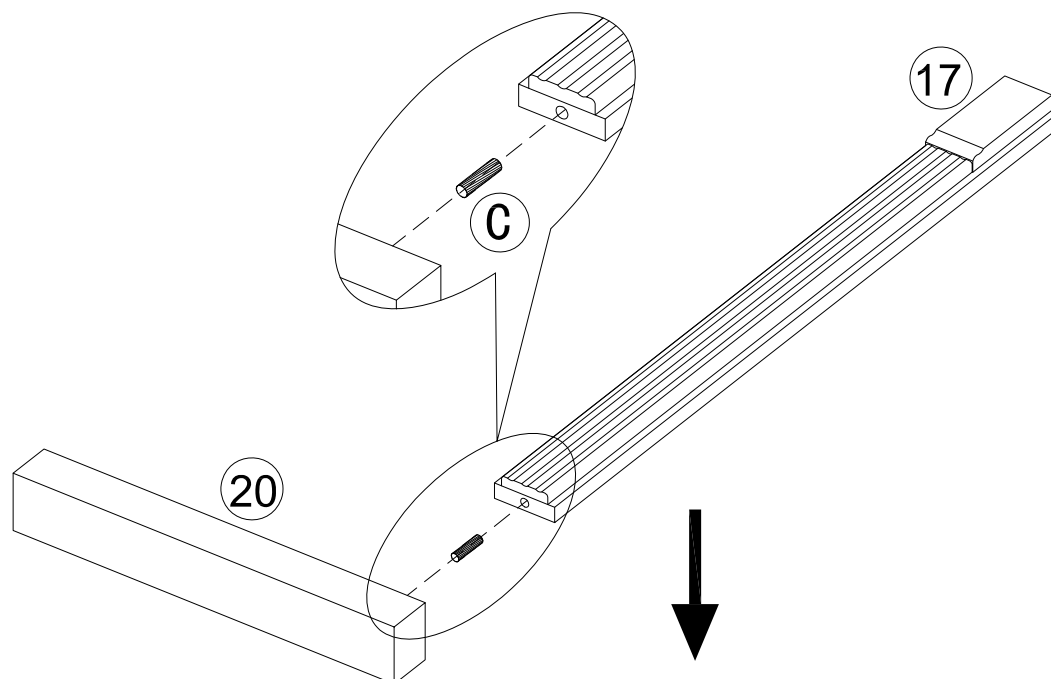
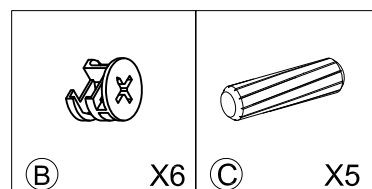


# STEP 6

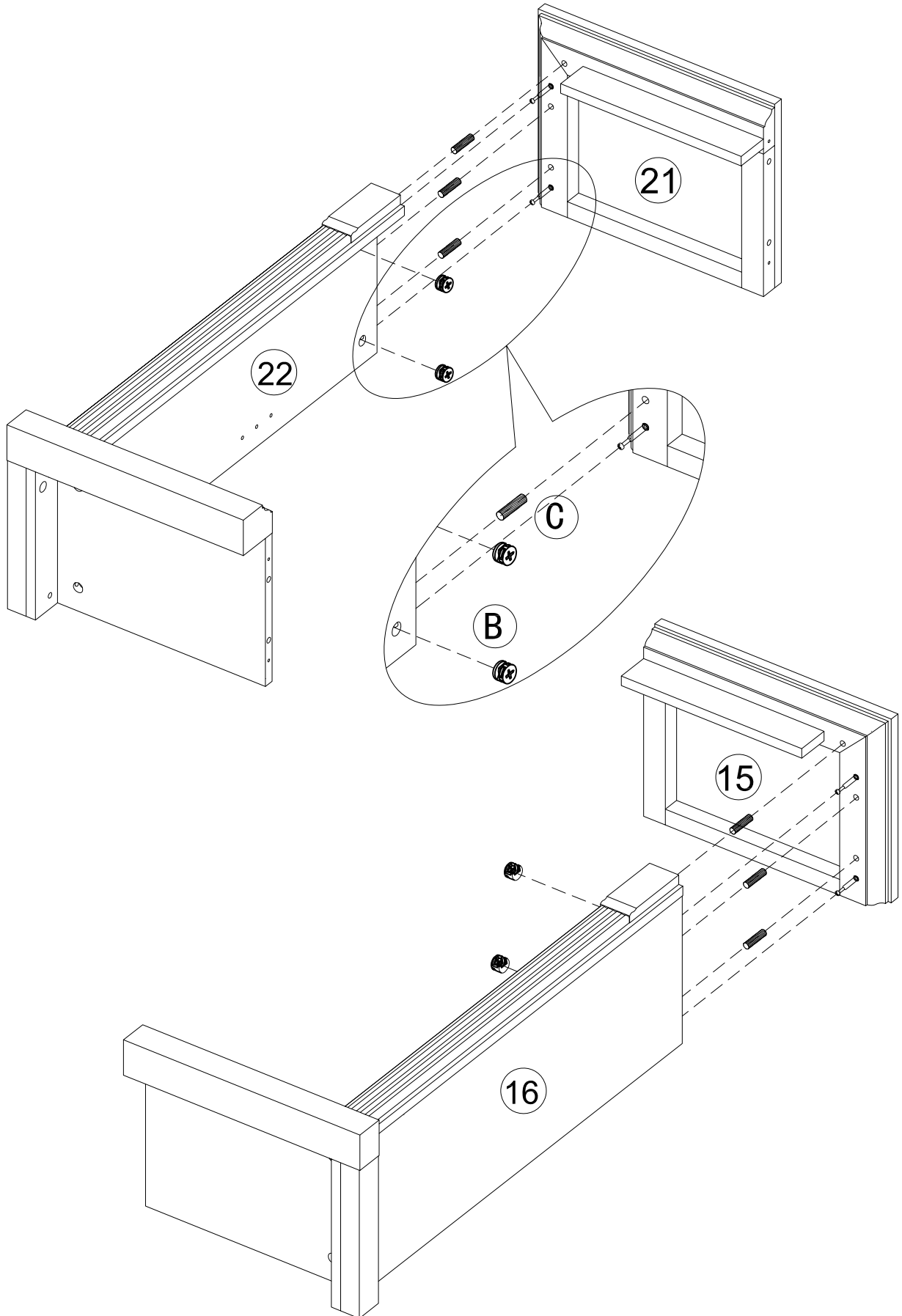
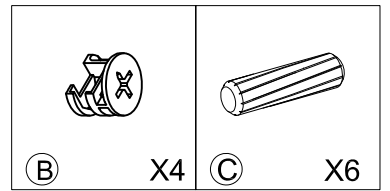
	
(B) X6	(C) X5



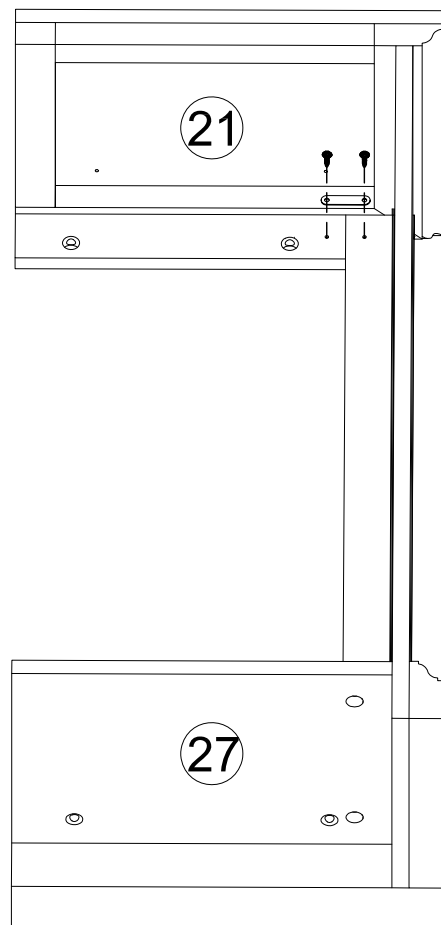
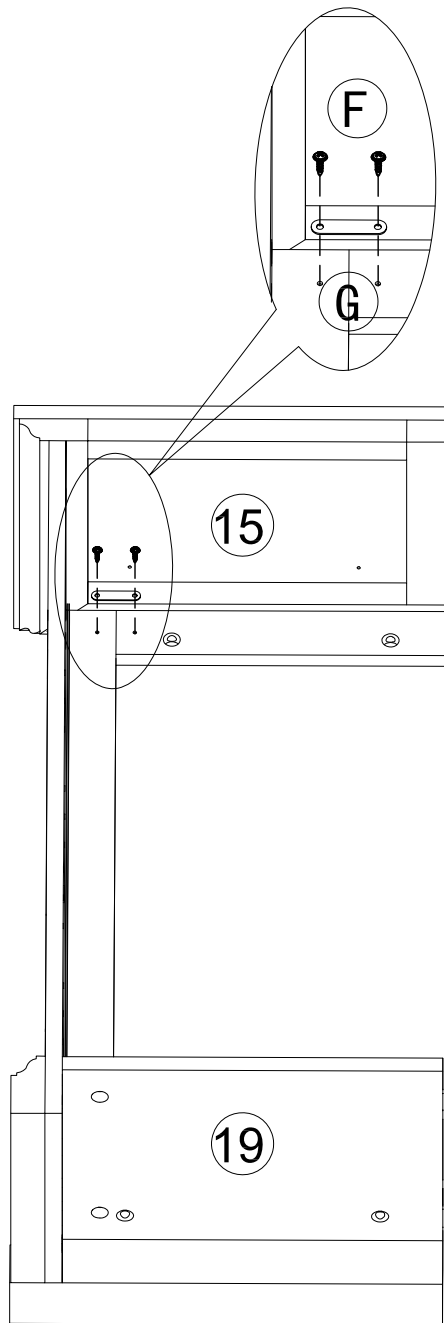
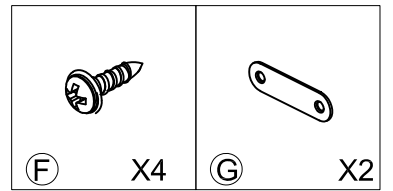
# STEP 7



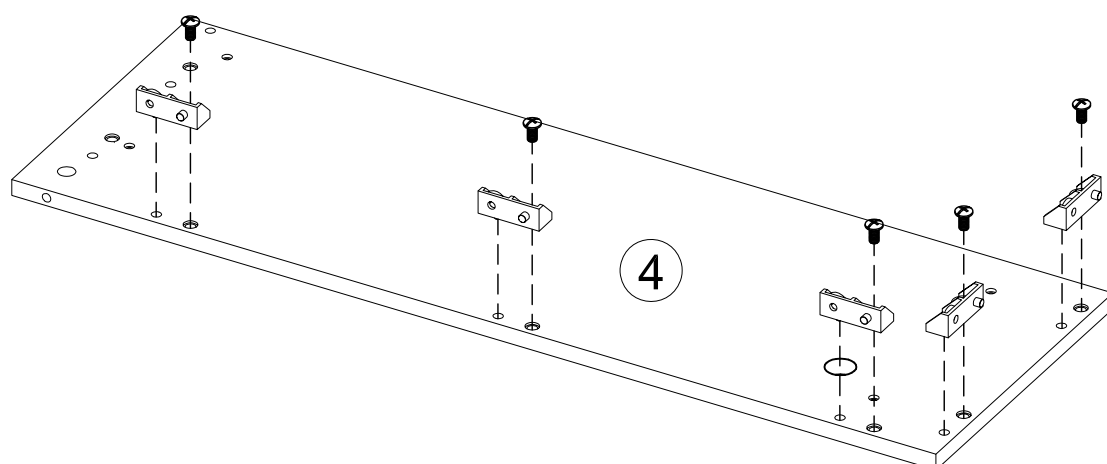
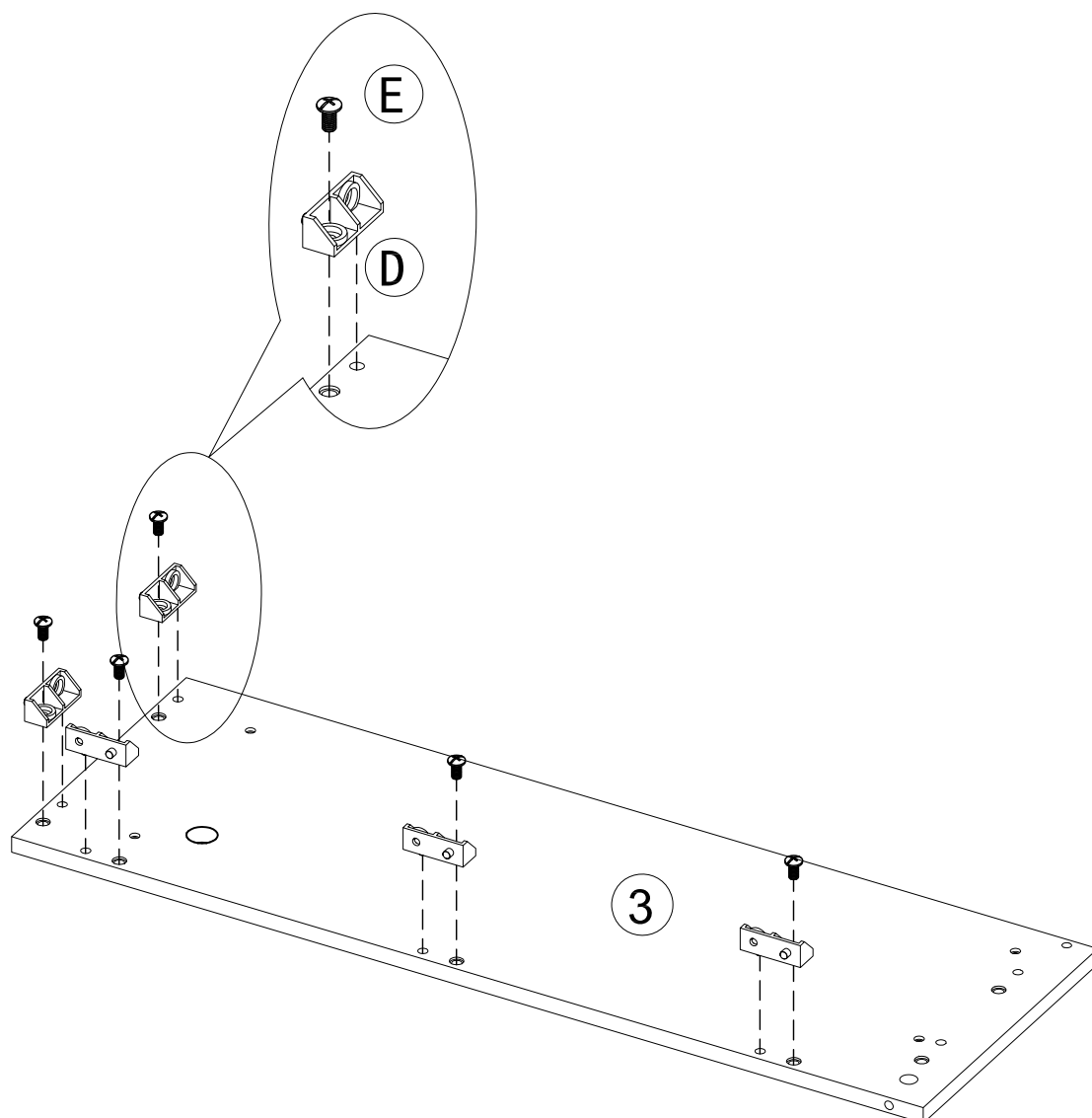
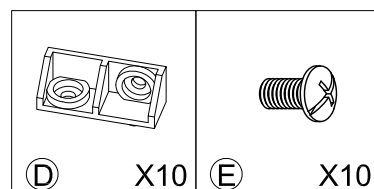
# STEP 8



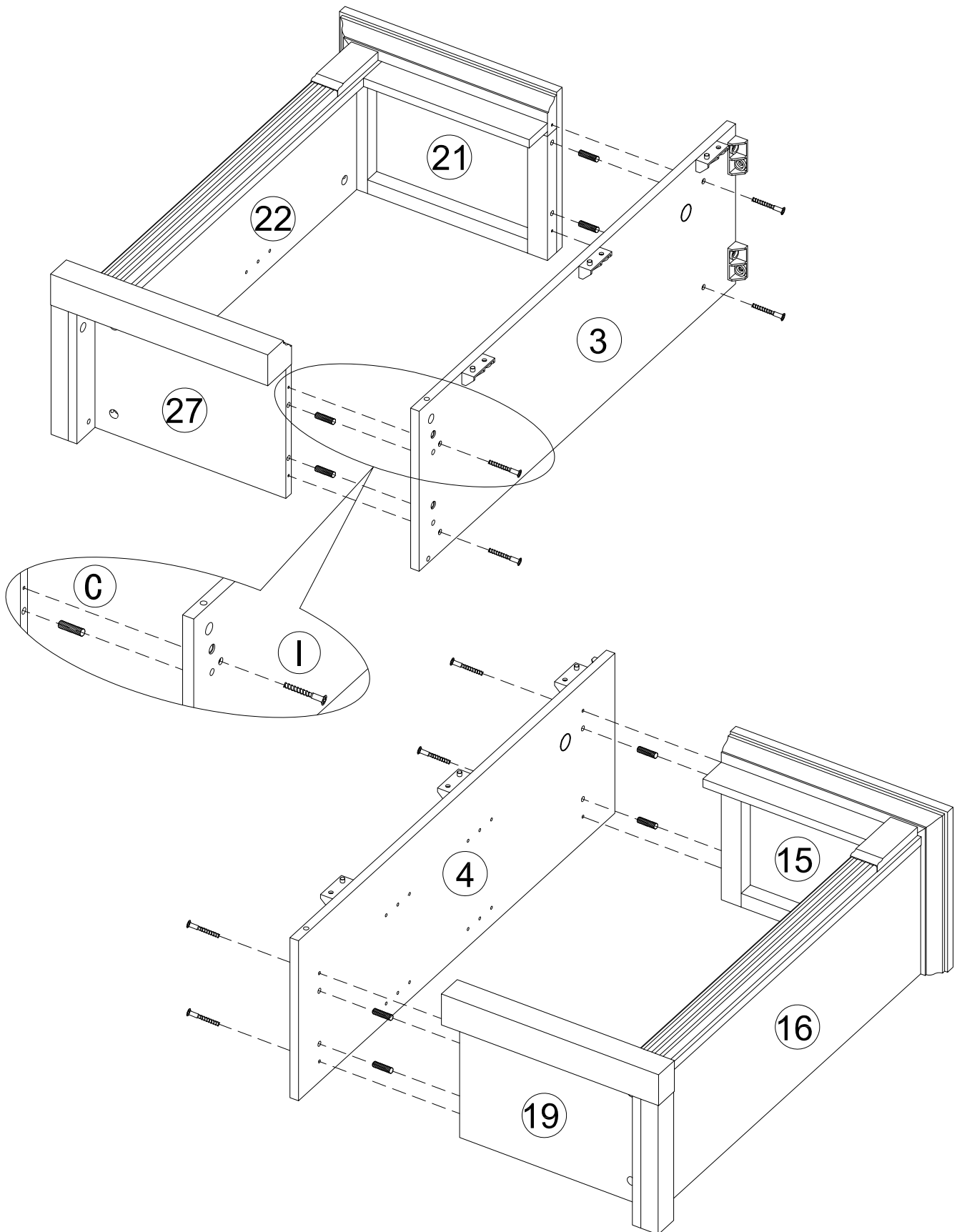
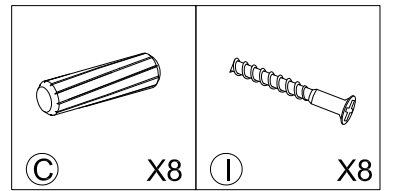
# STEP 9



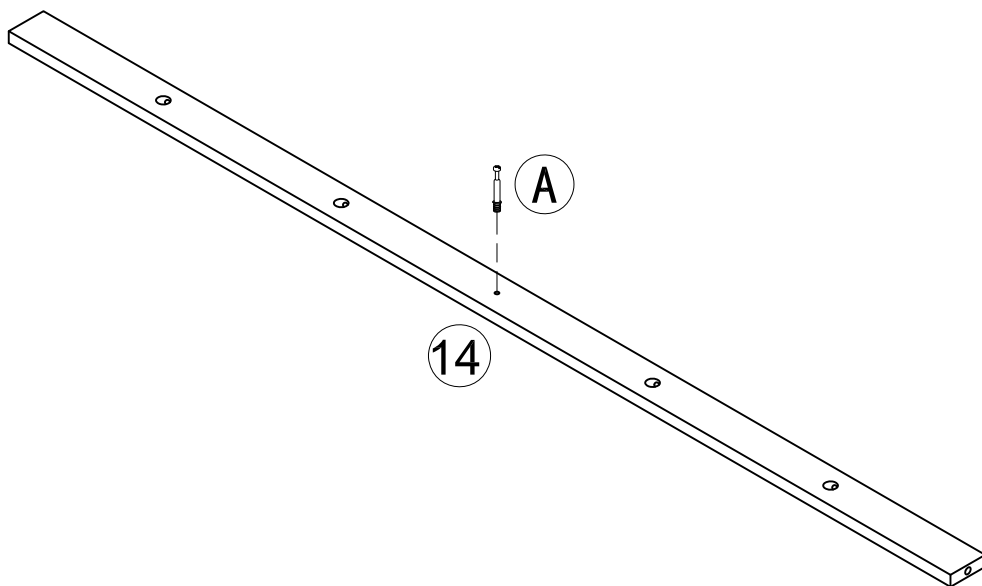
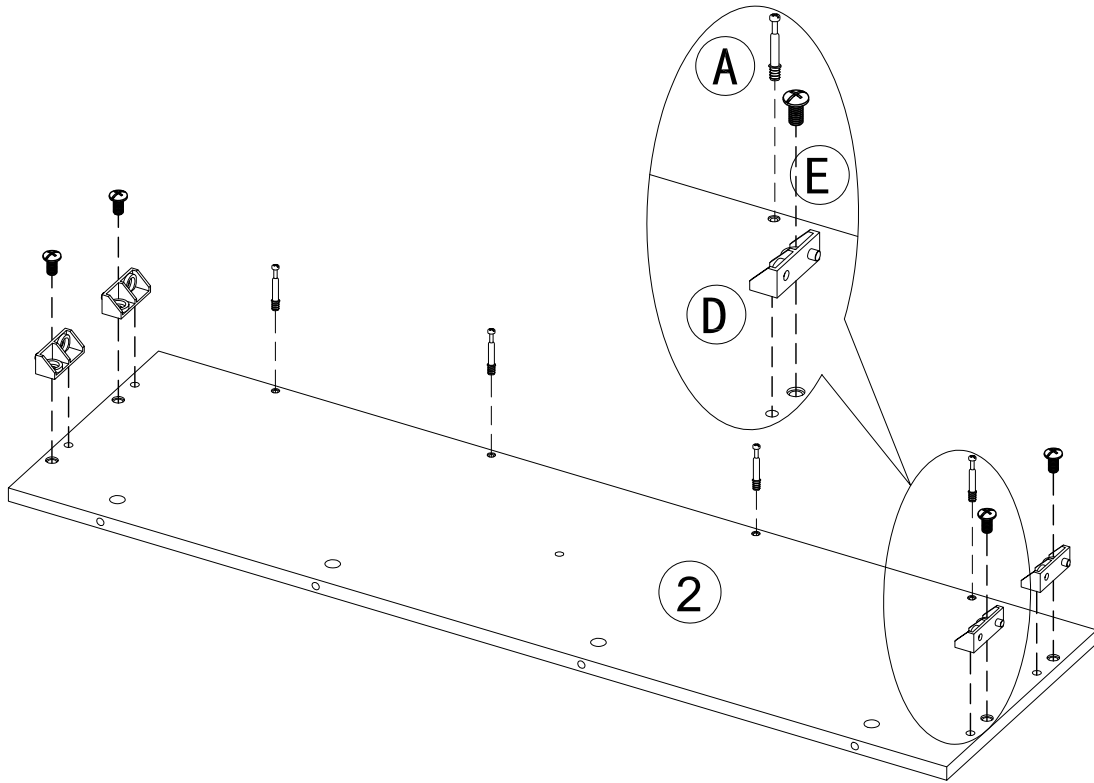
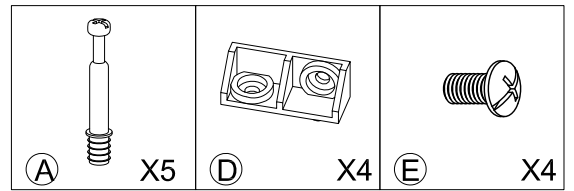
# STEP 10



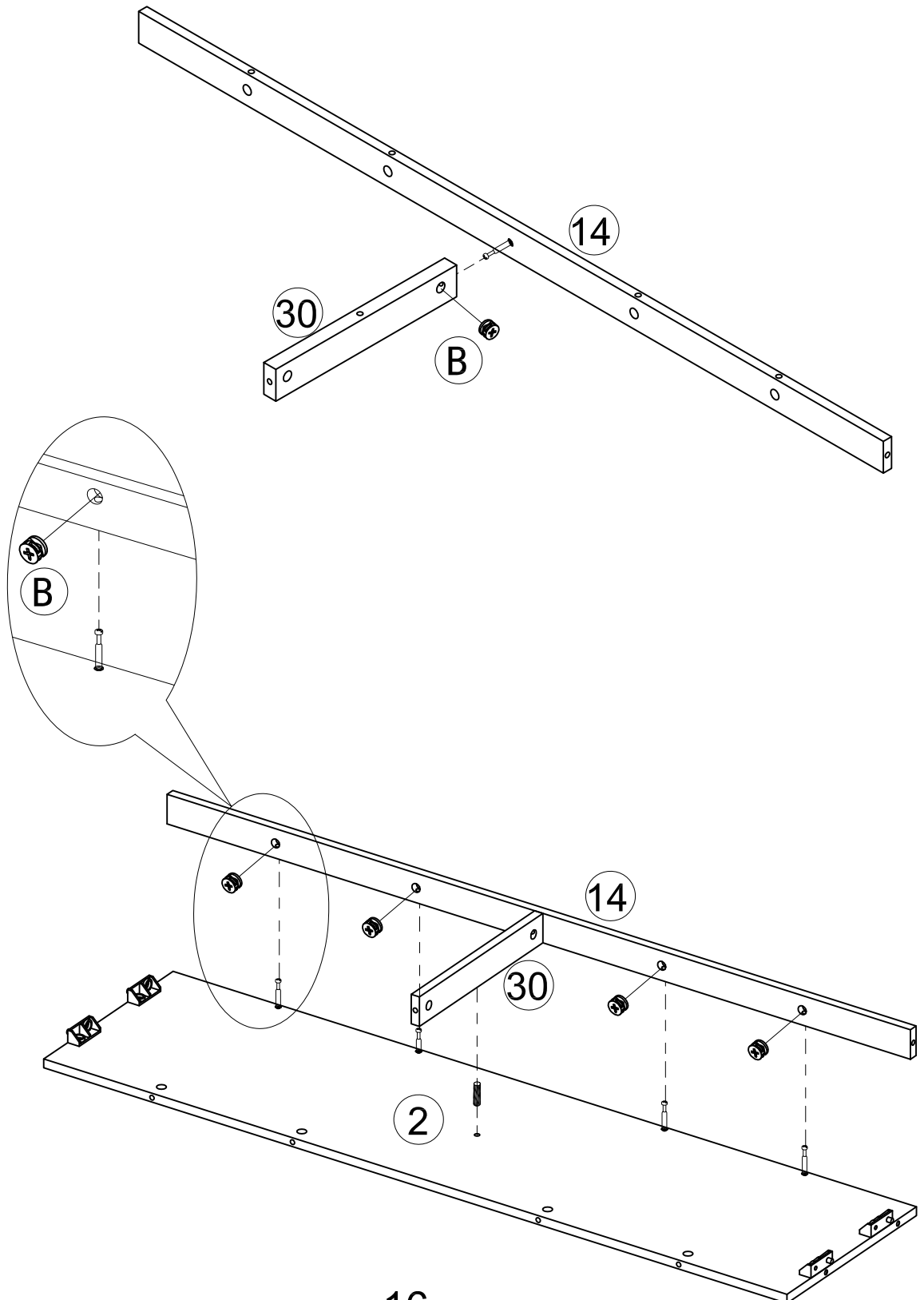
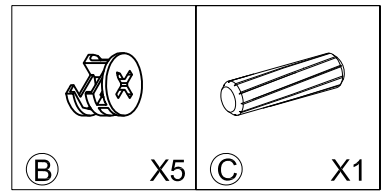
# STEP 11



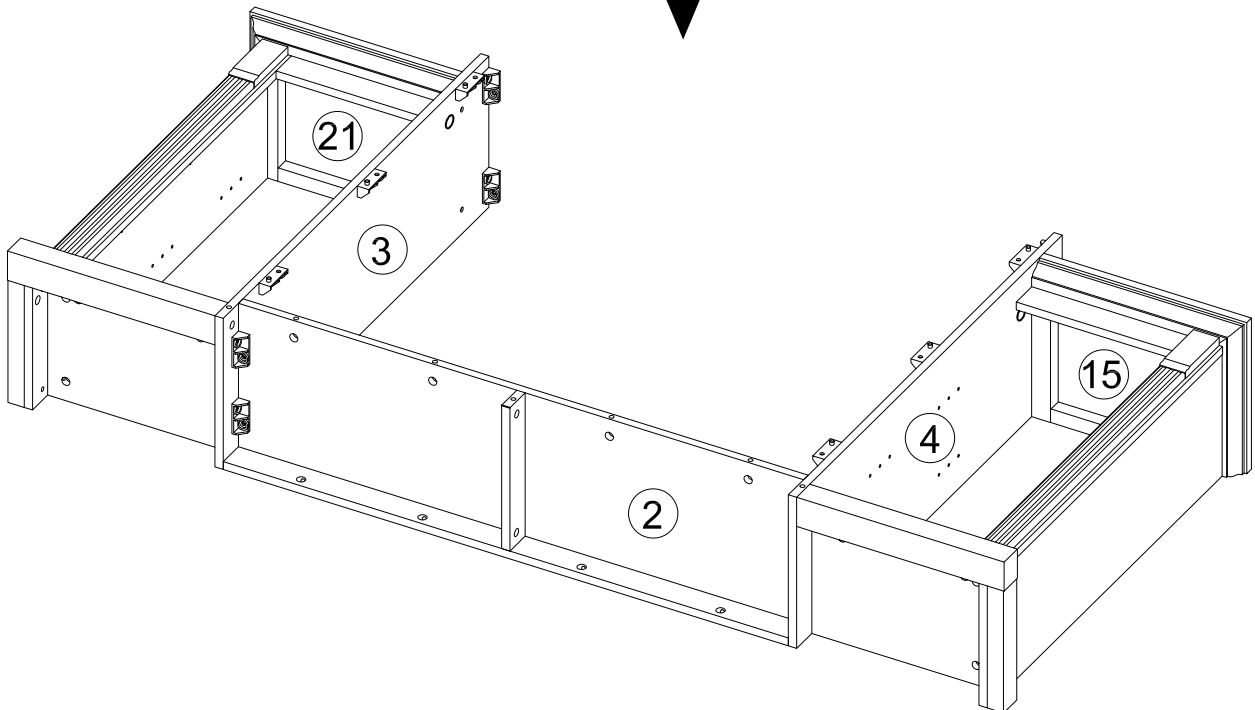
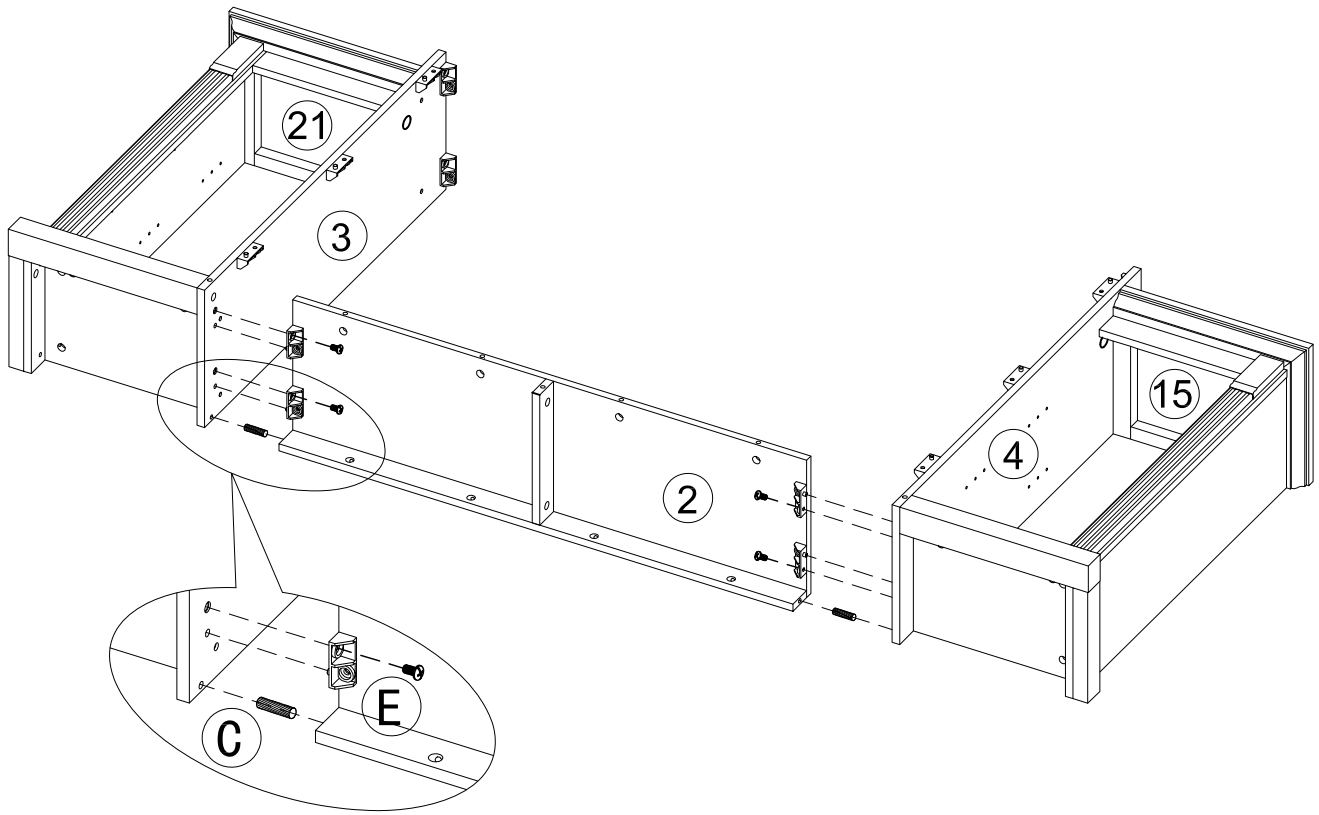
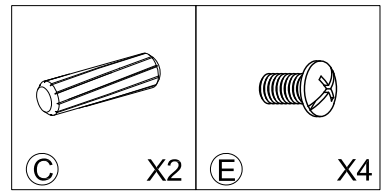
# STEP 12



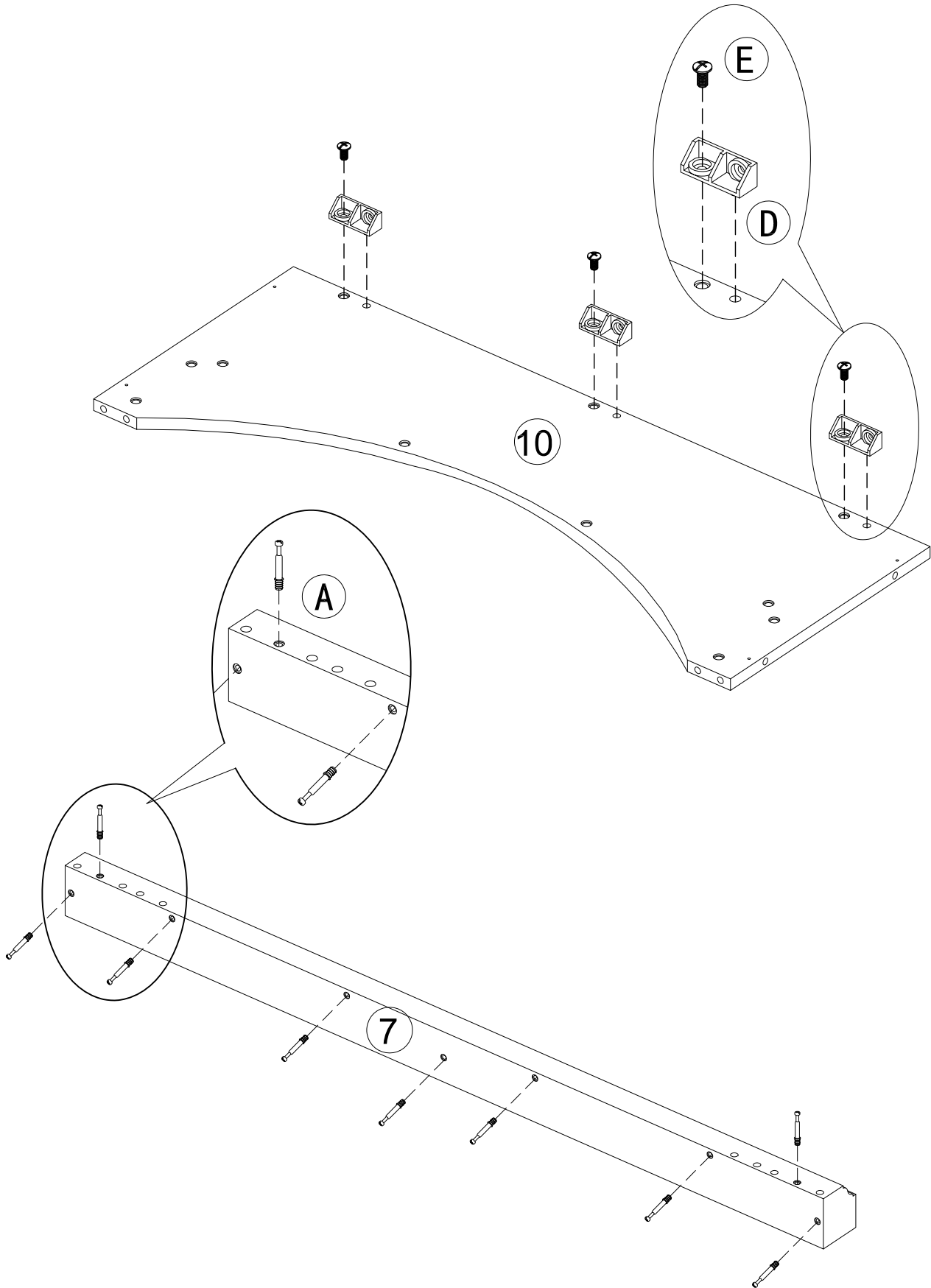
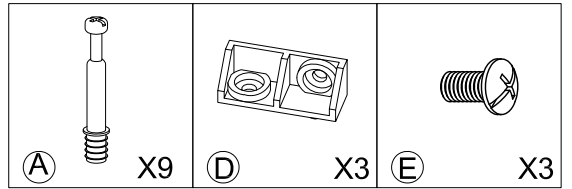
# STEP 13



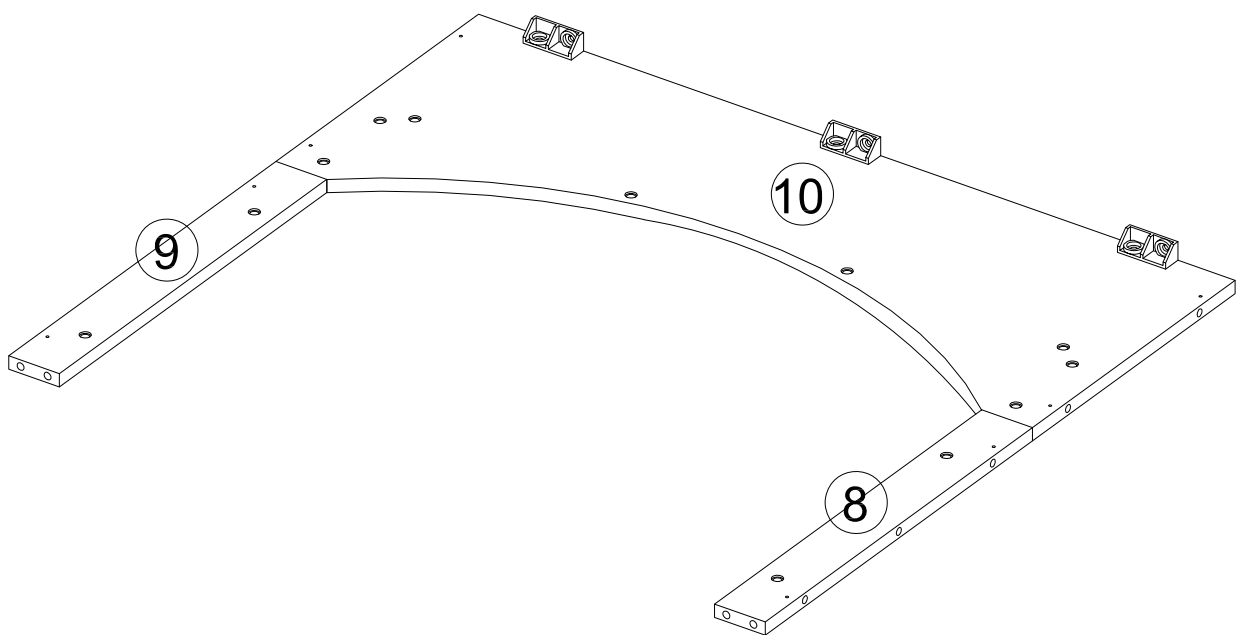
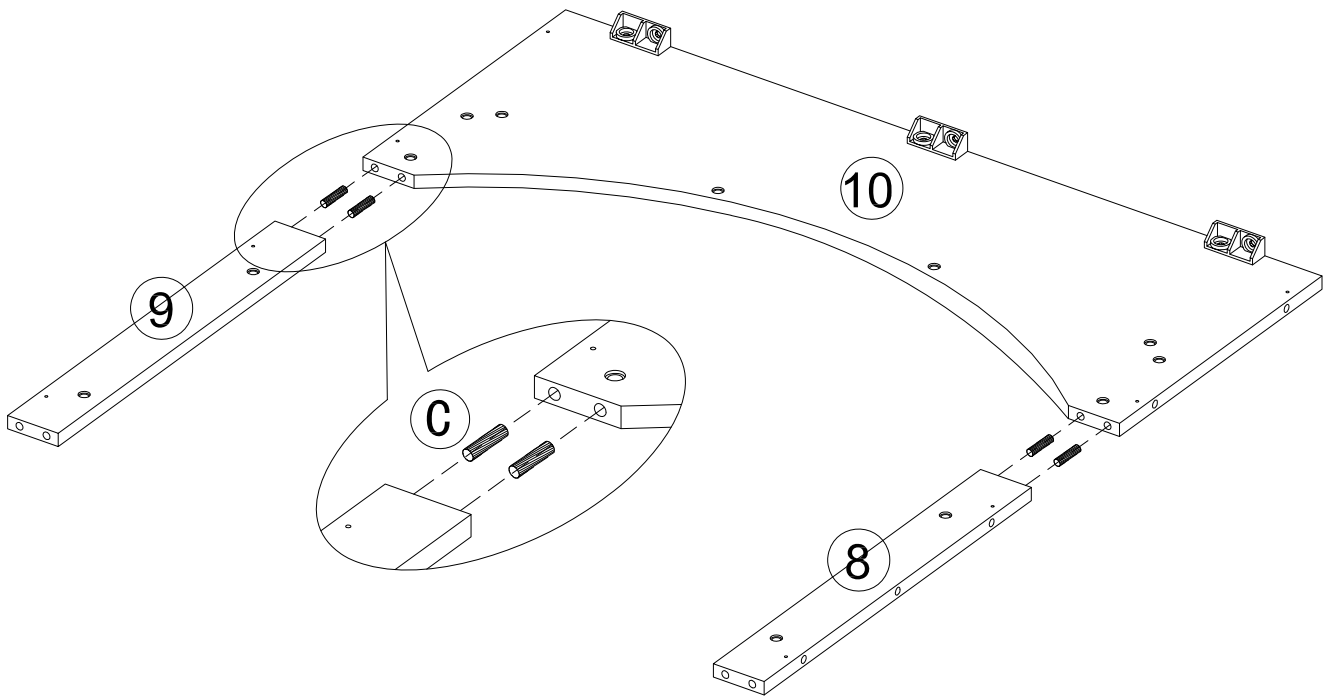
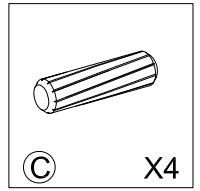
# STEP 14






# STEP 15

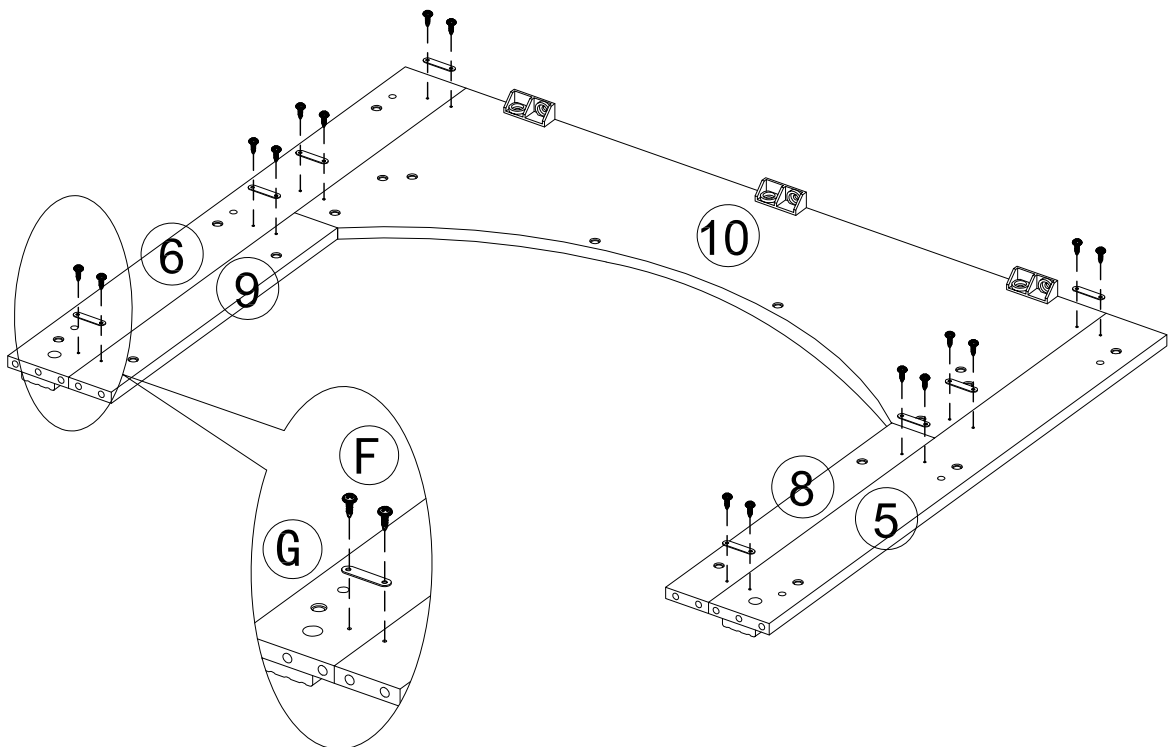
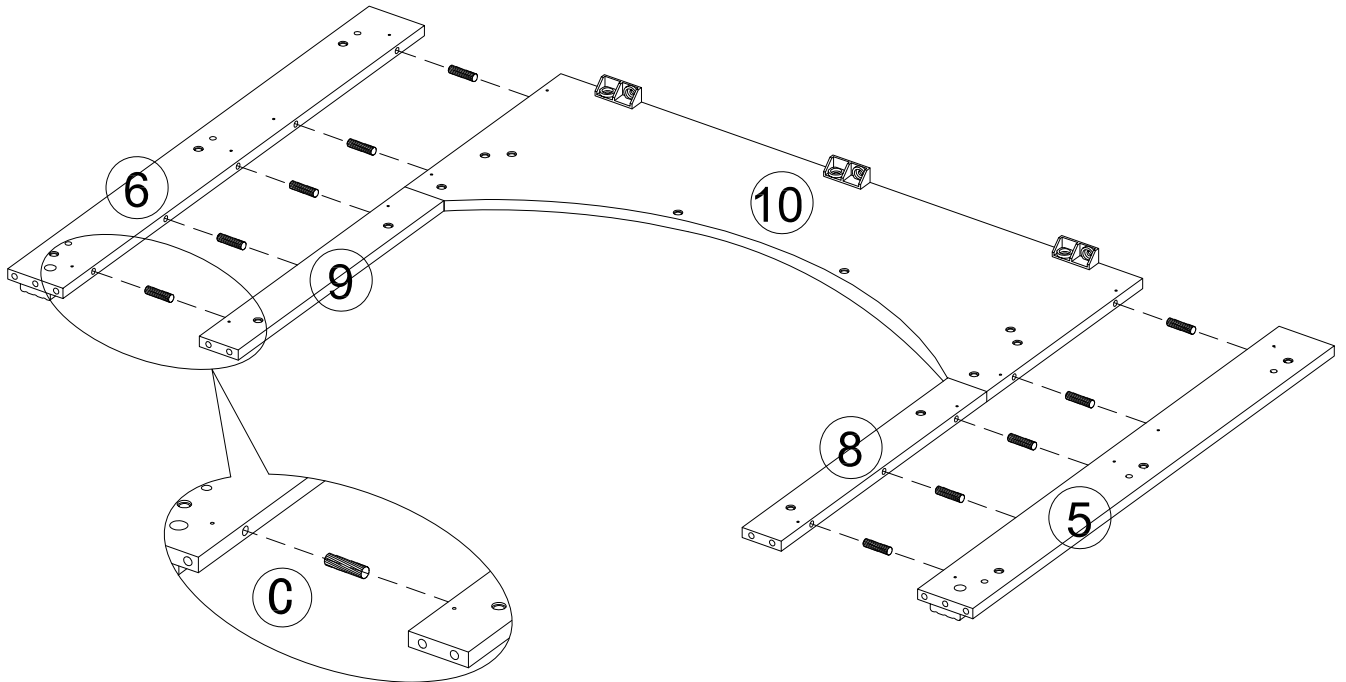


# STEP 16


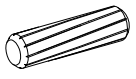


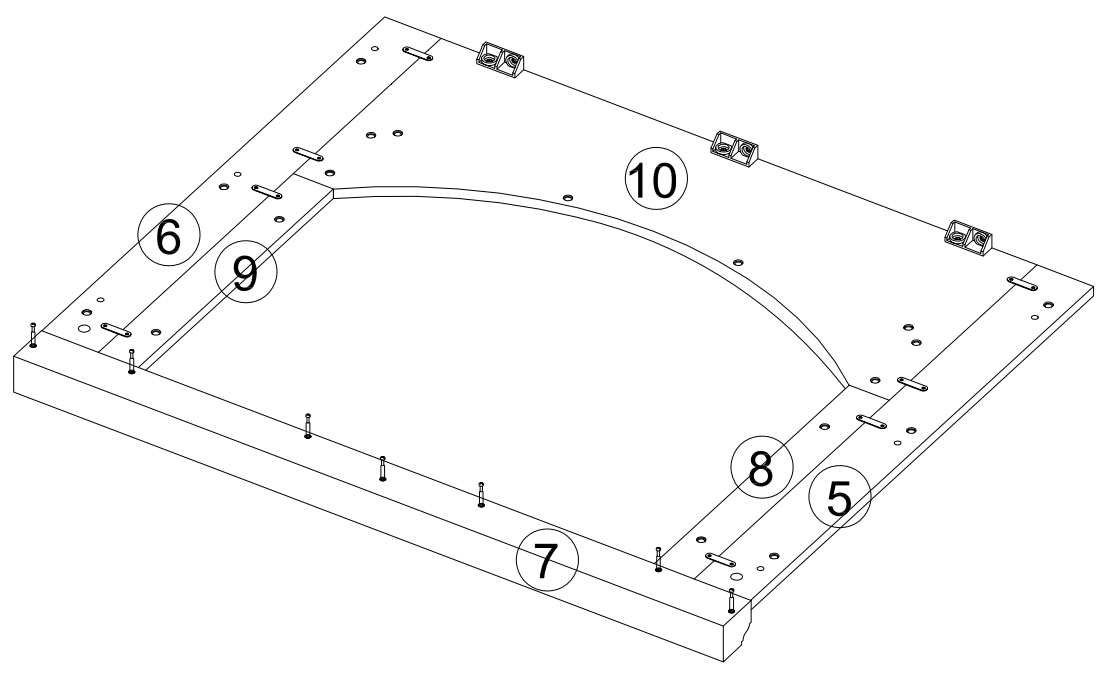
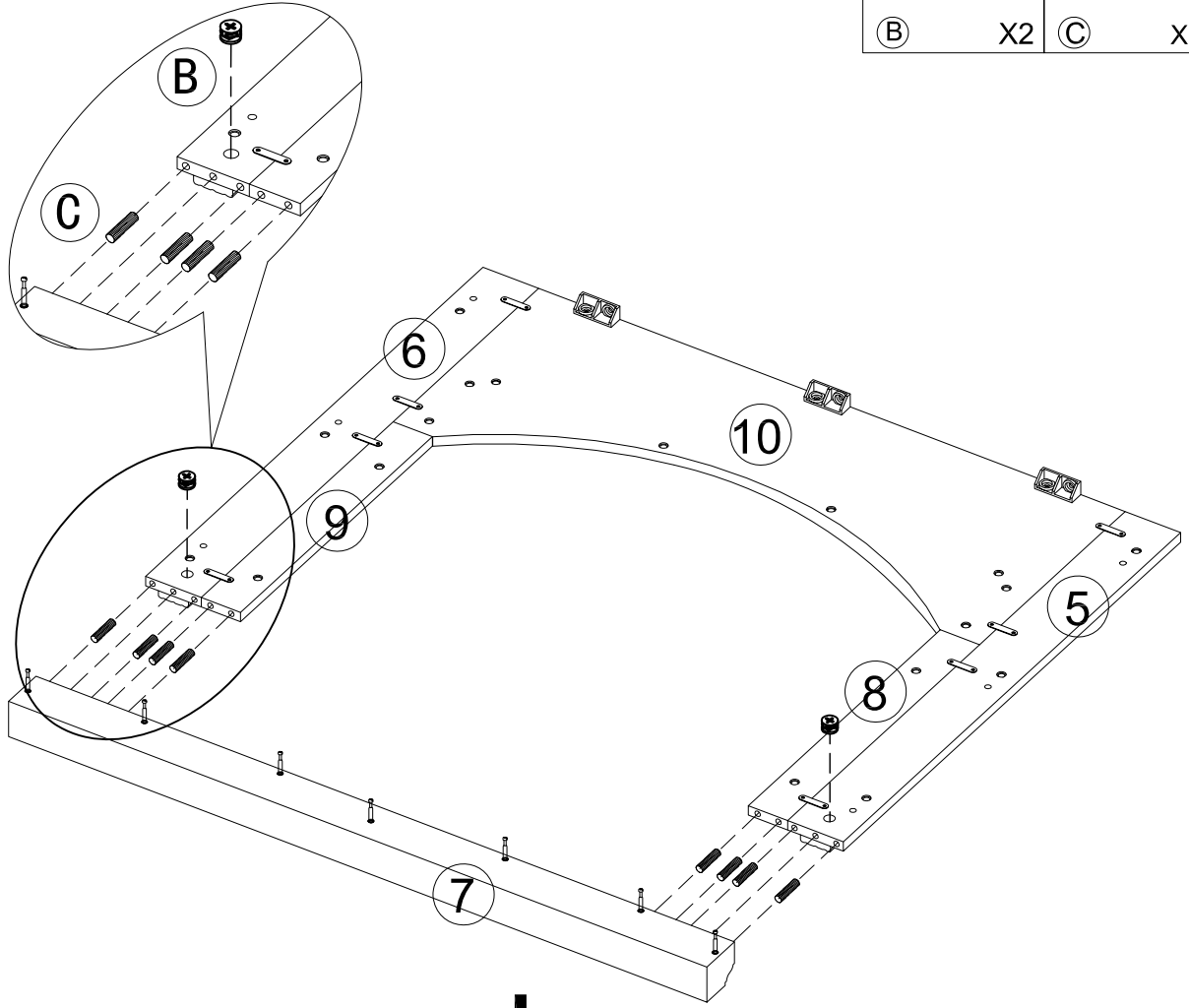
# STEP 17

		
(C) X10	(F) X16	(G) X8

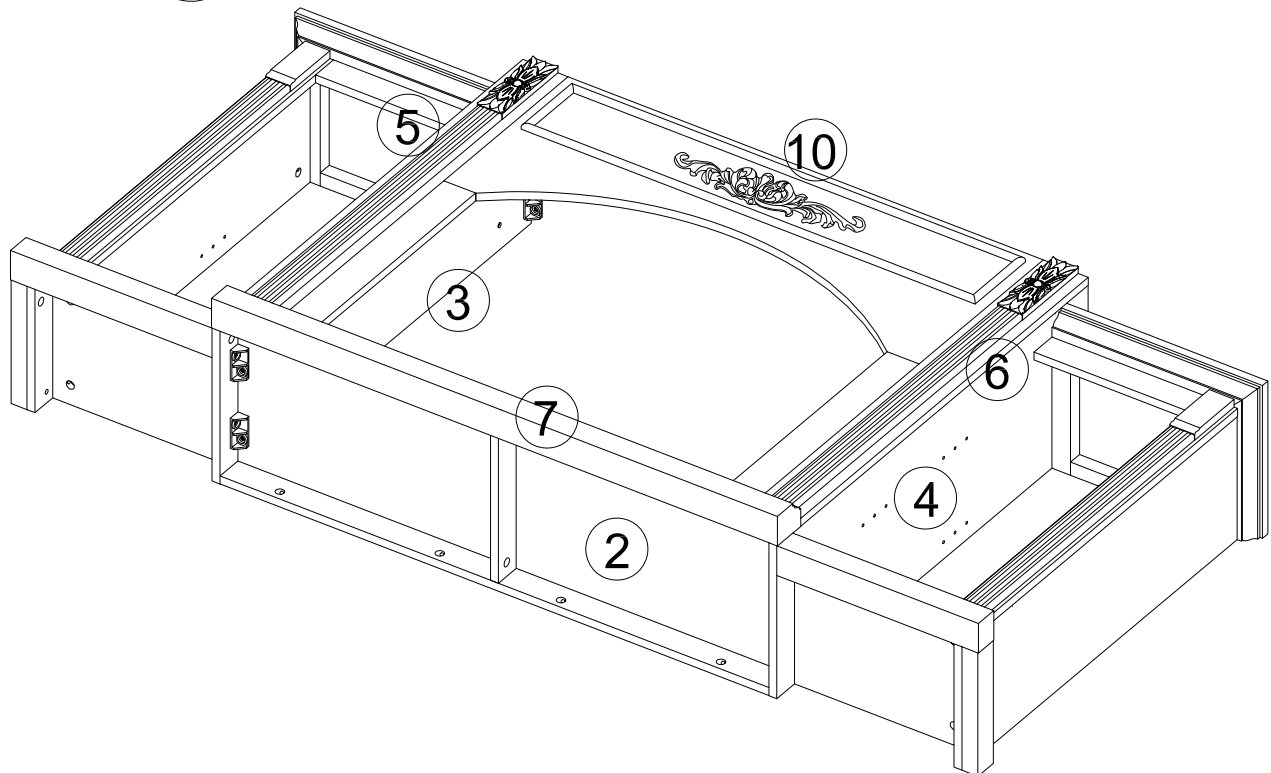
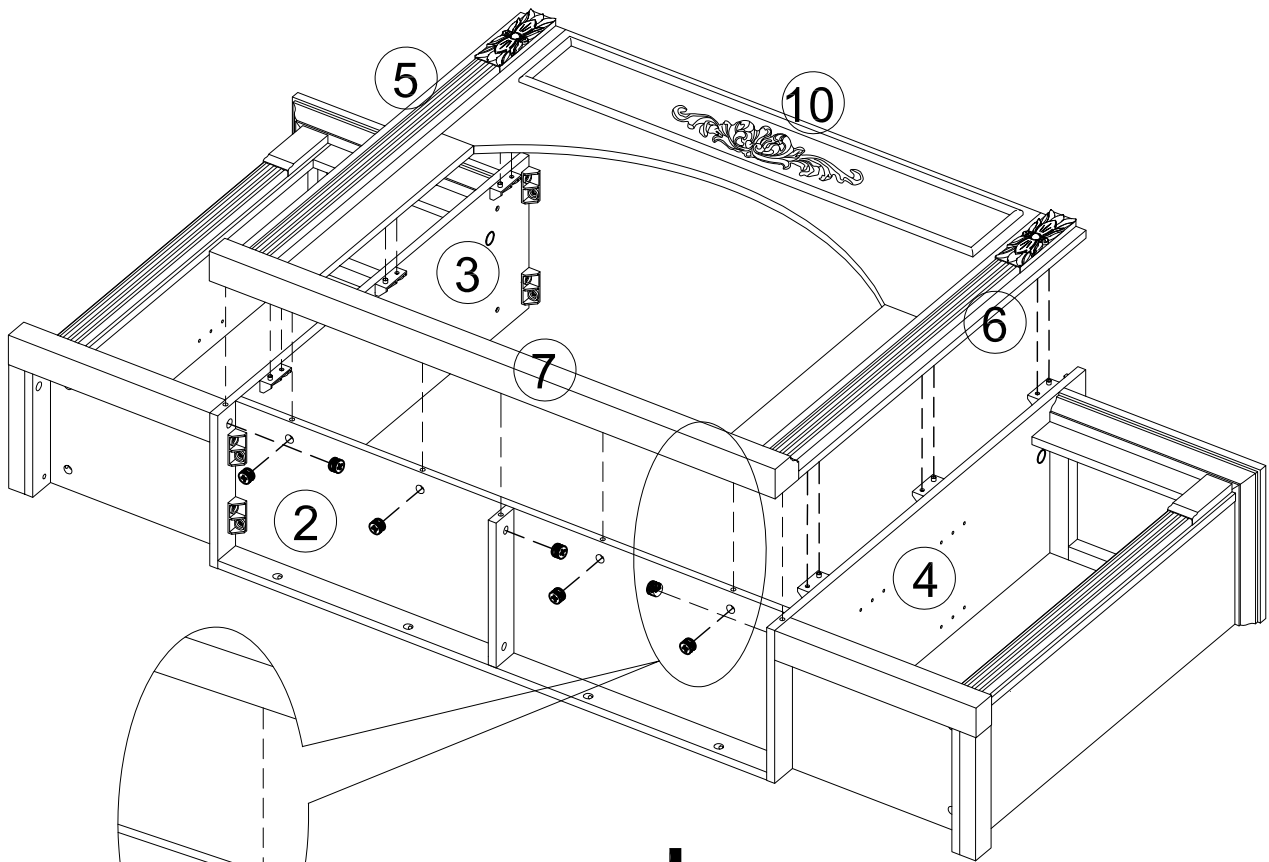
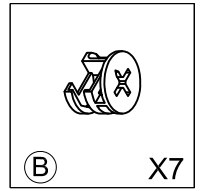
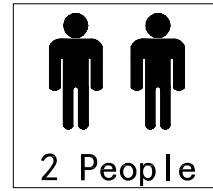


# STEP 18

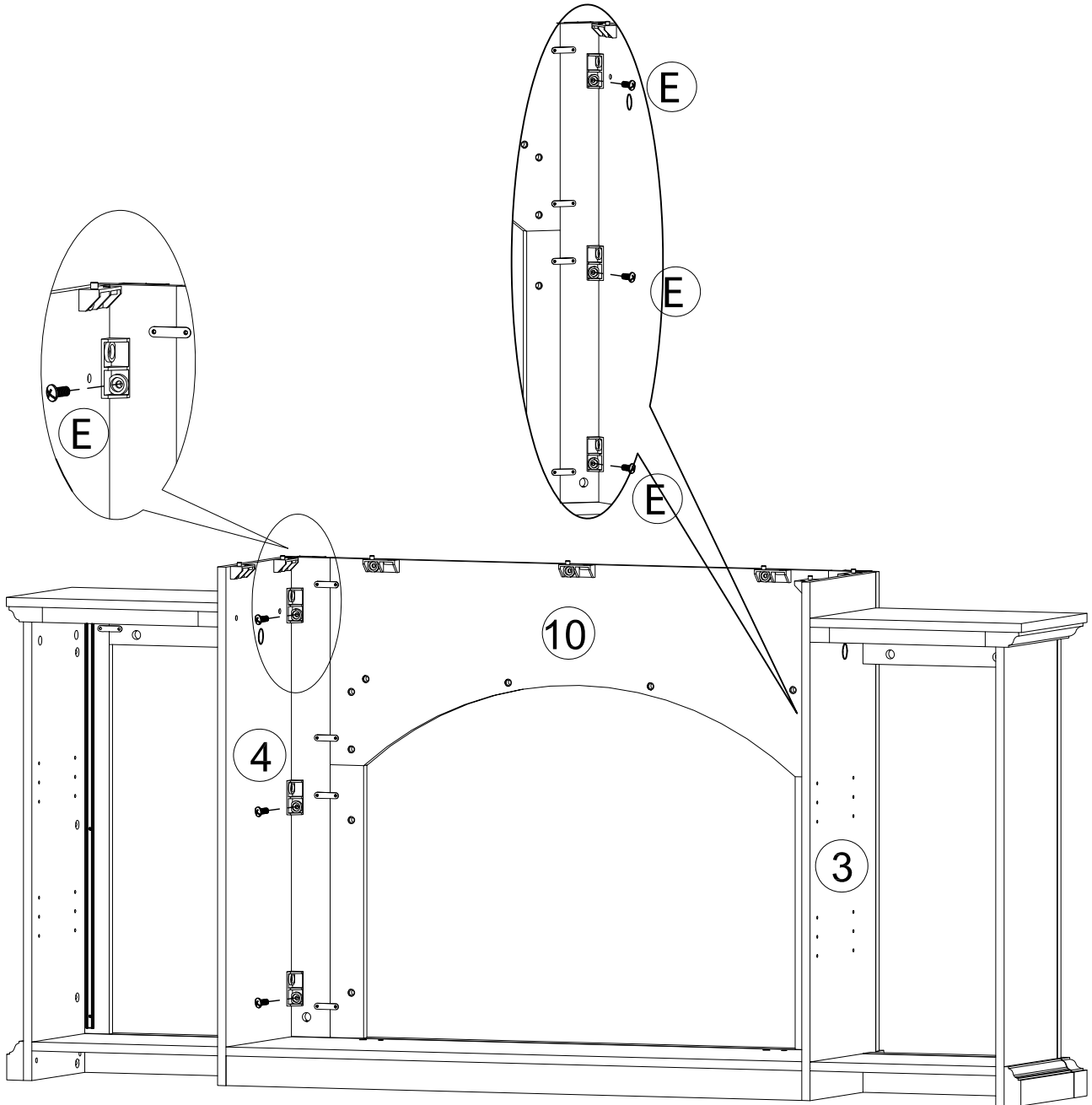
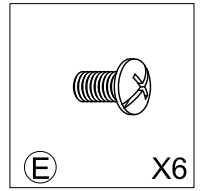
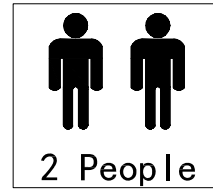
	
(B) X2	(C) X8



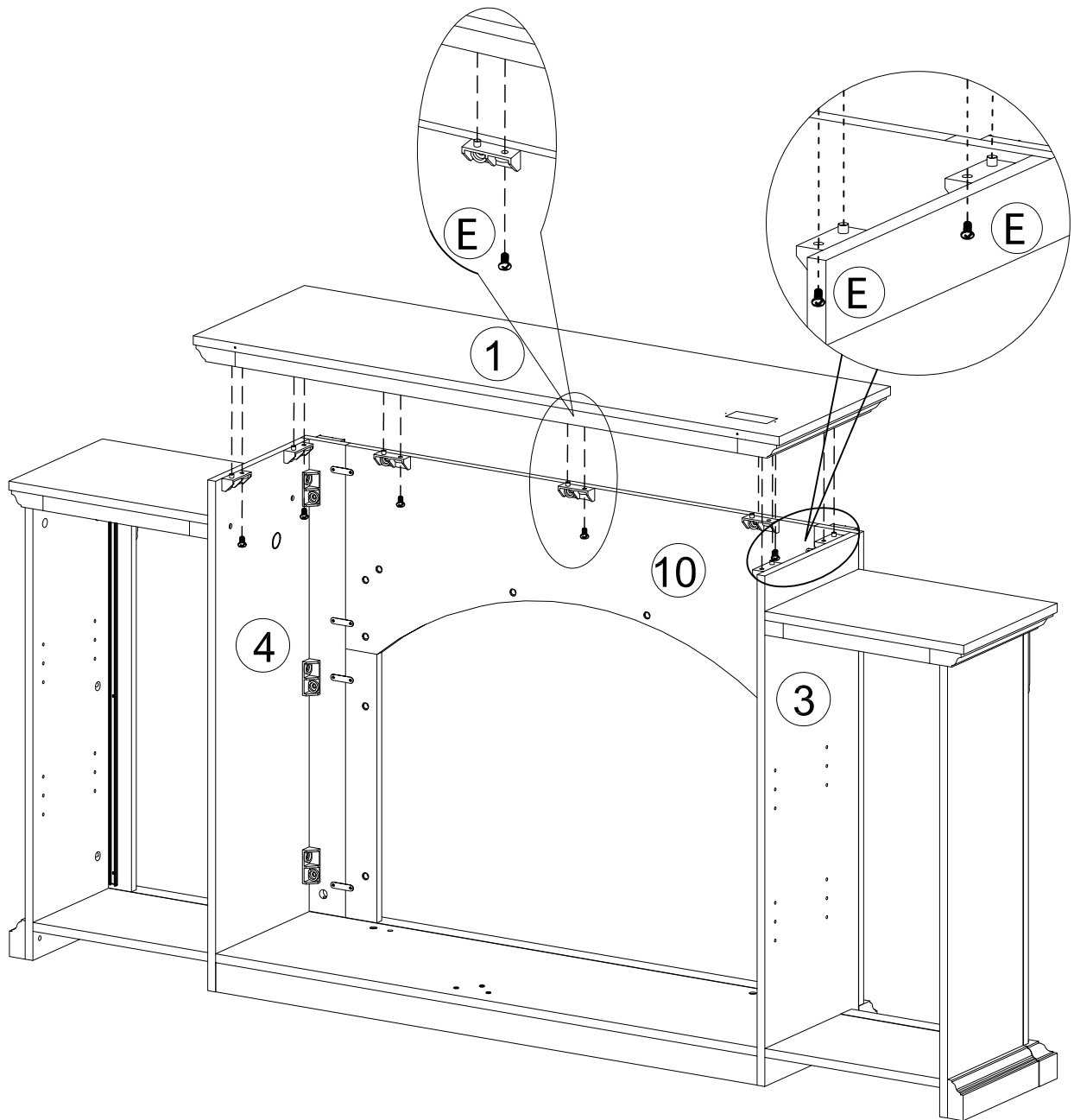
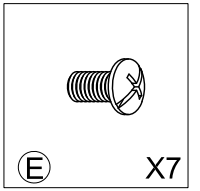
# STEP 19




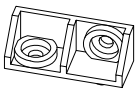



# STEP 20

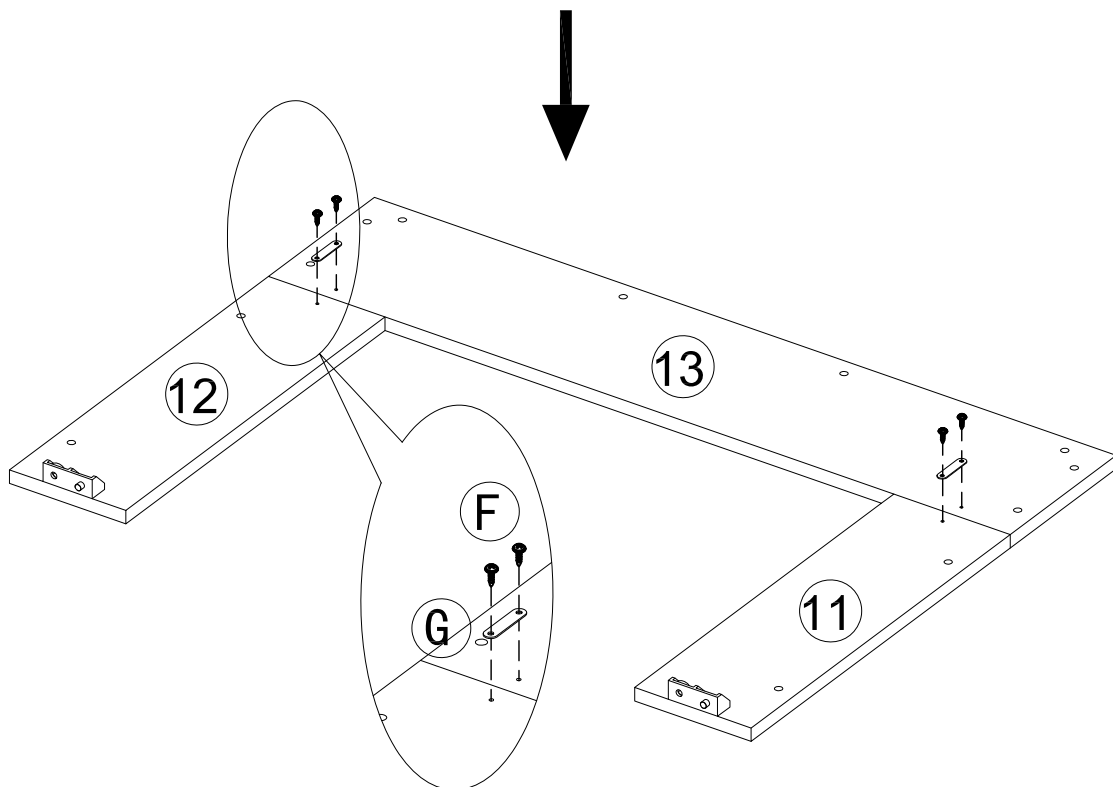
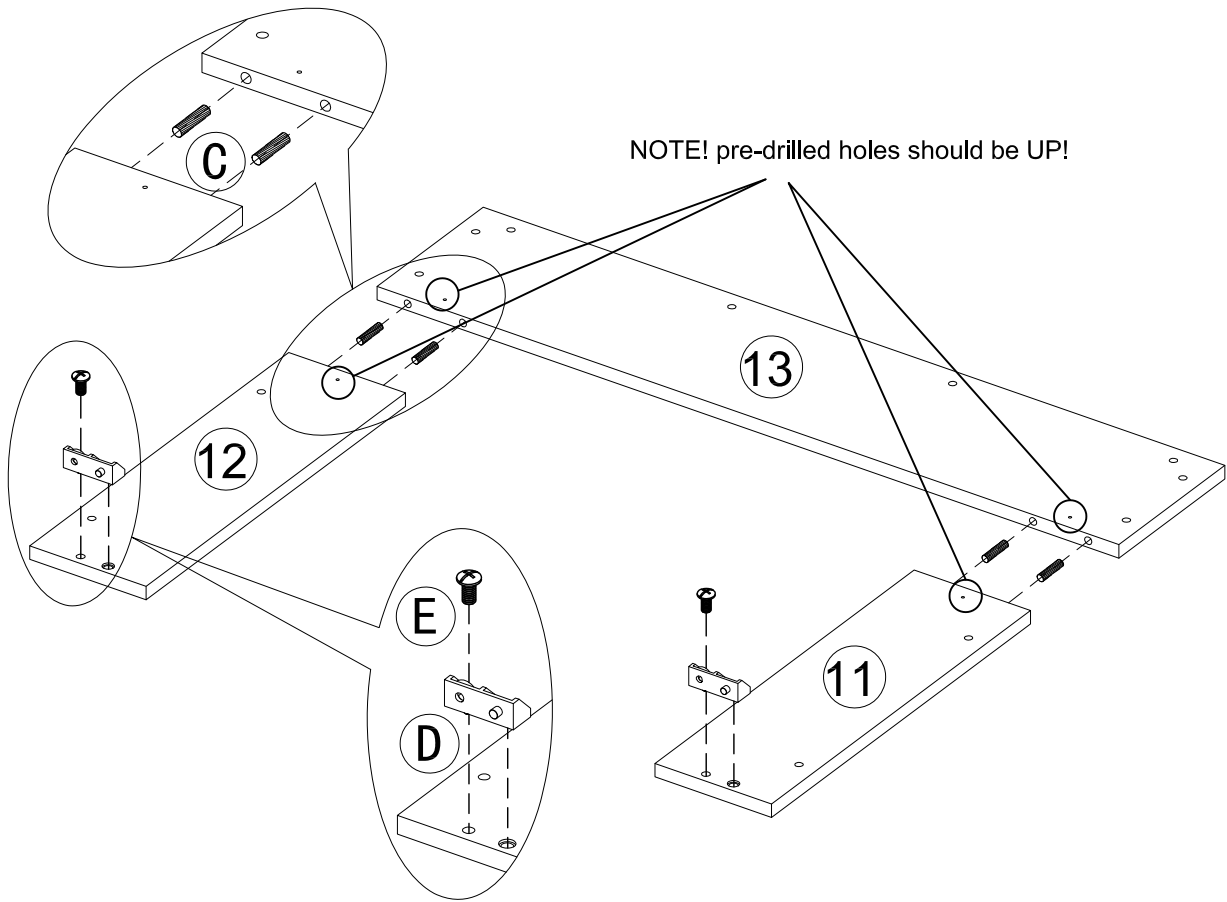


# STEP 21

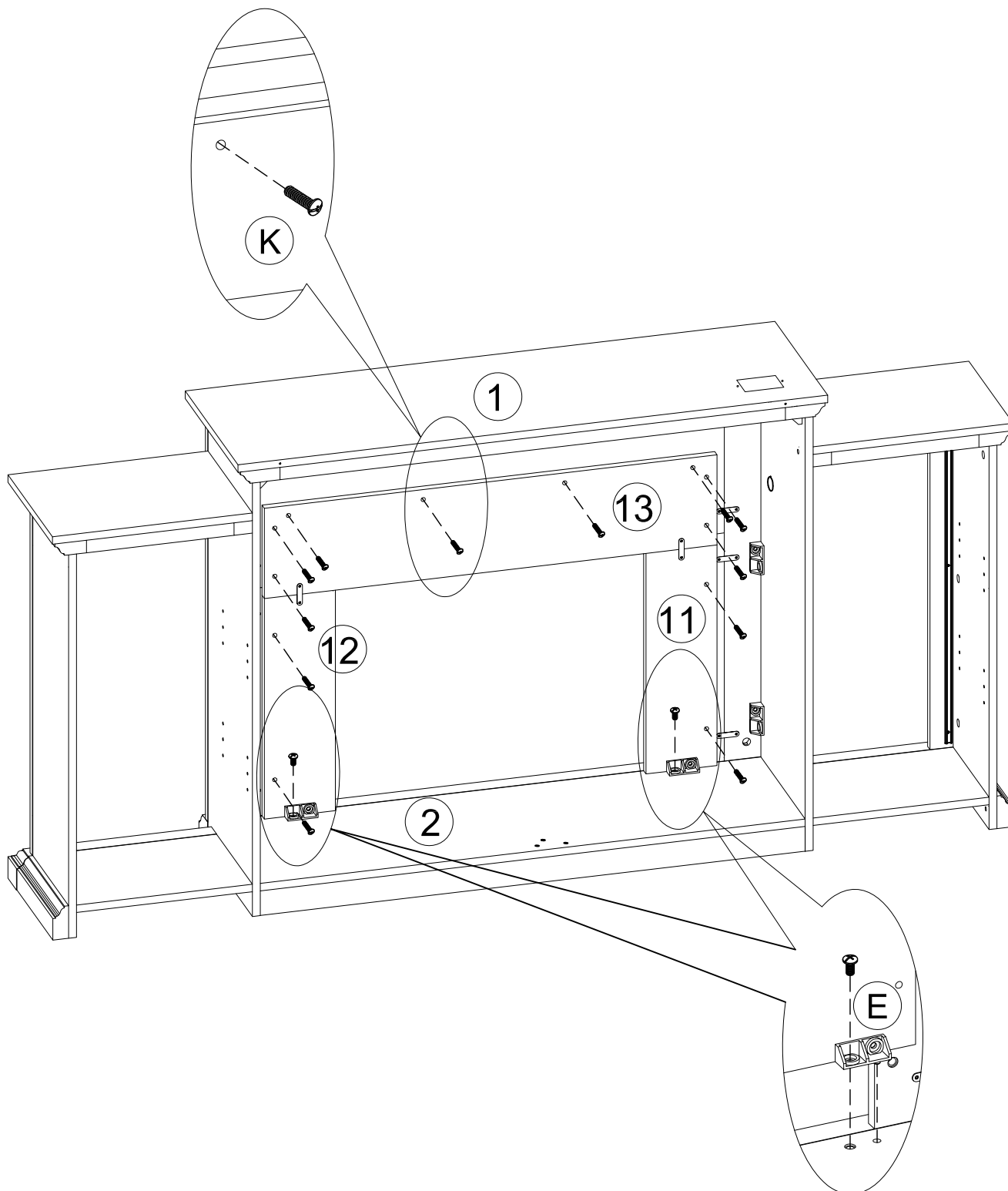
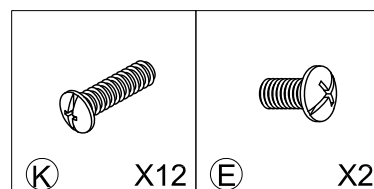


# STEP 22

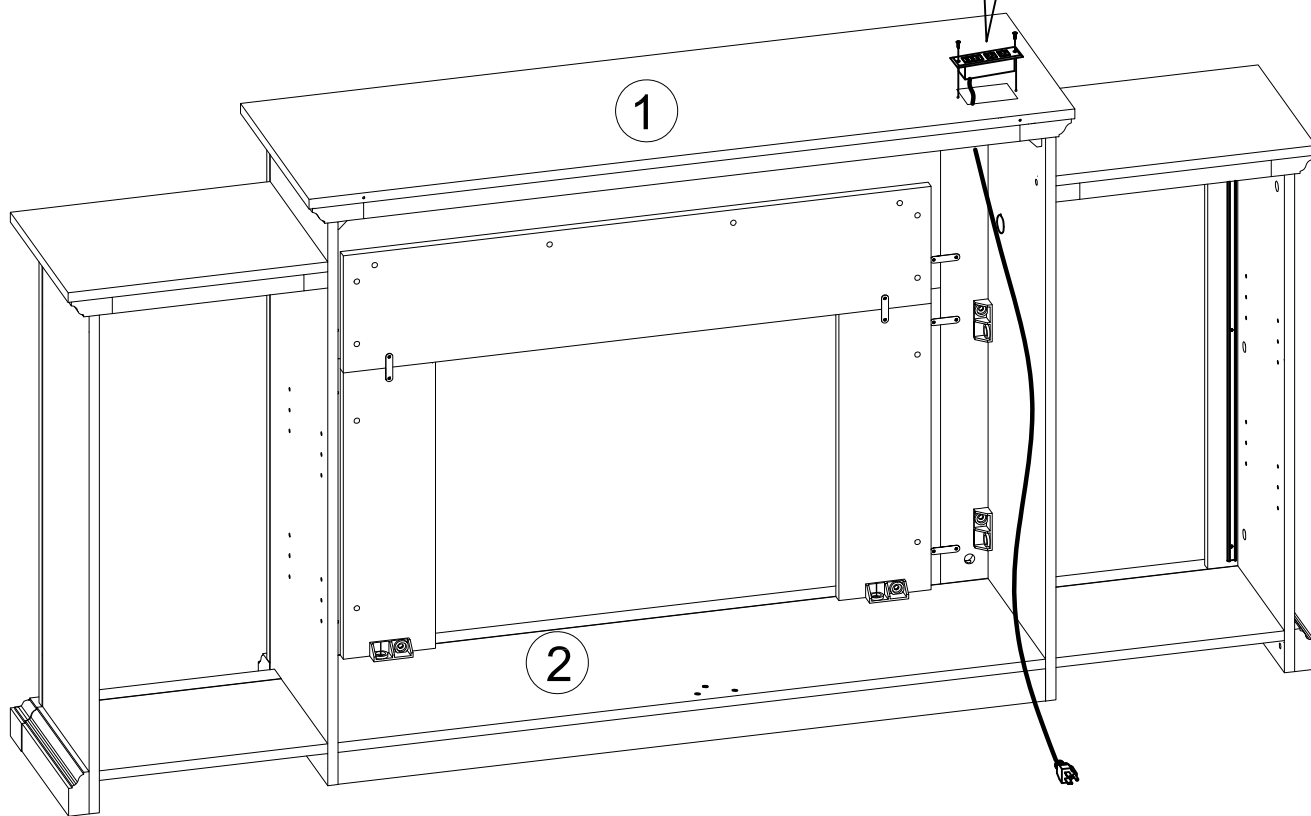
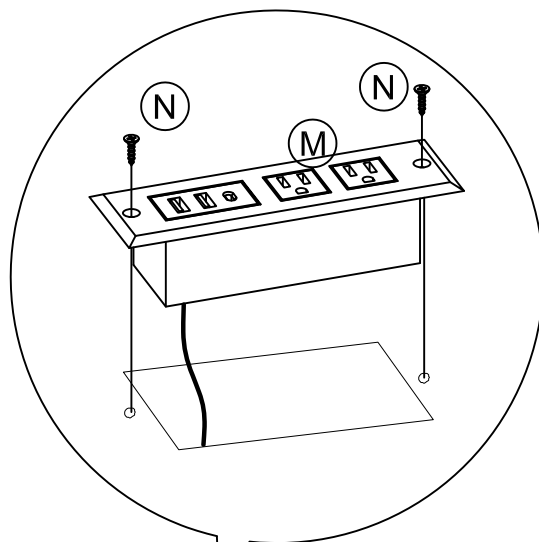
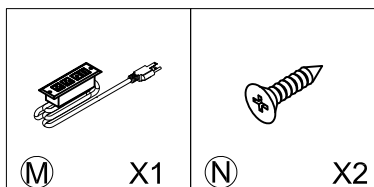
									
C	X4	D	X2	E	X2	F	X4	G	X2



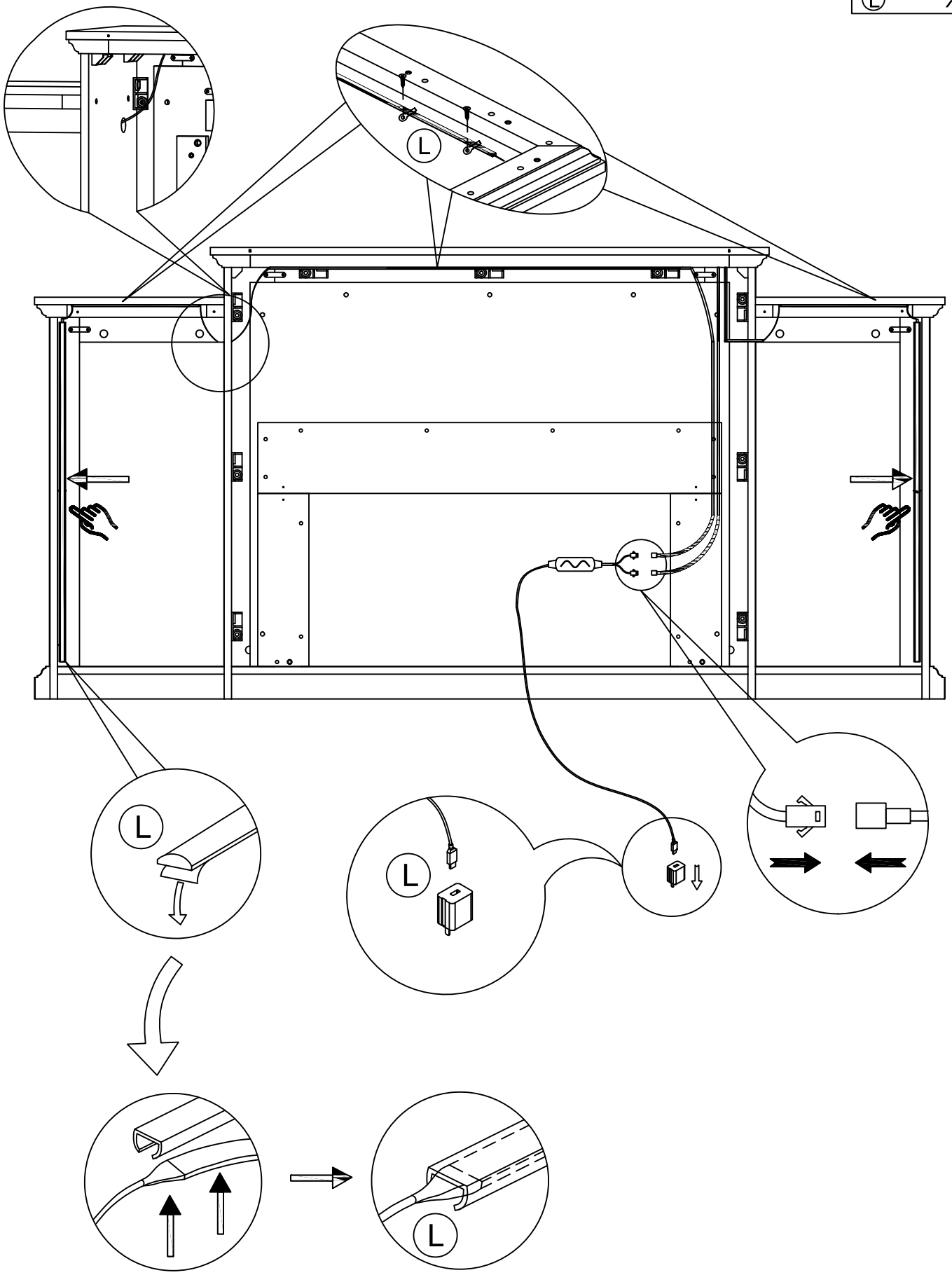
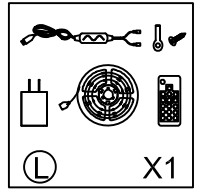
# STEP 23



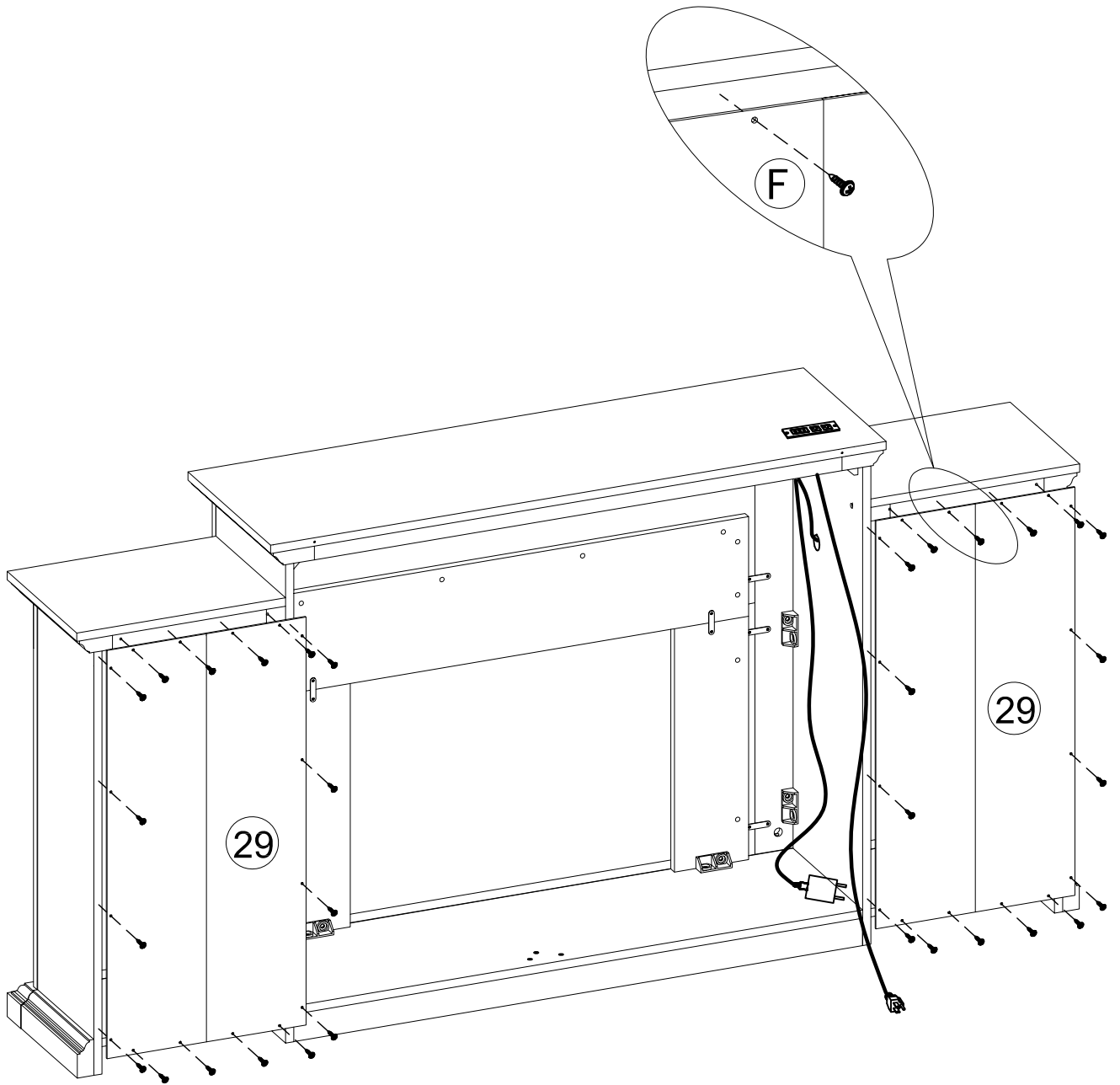
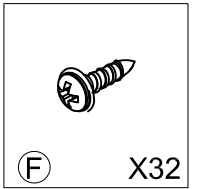
# STEP 24



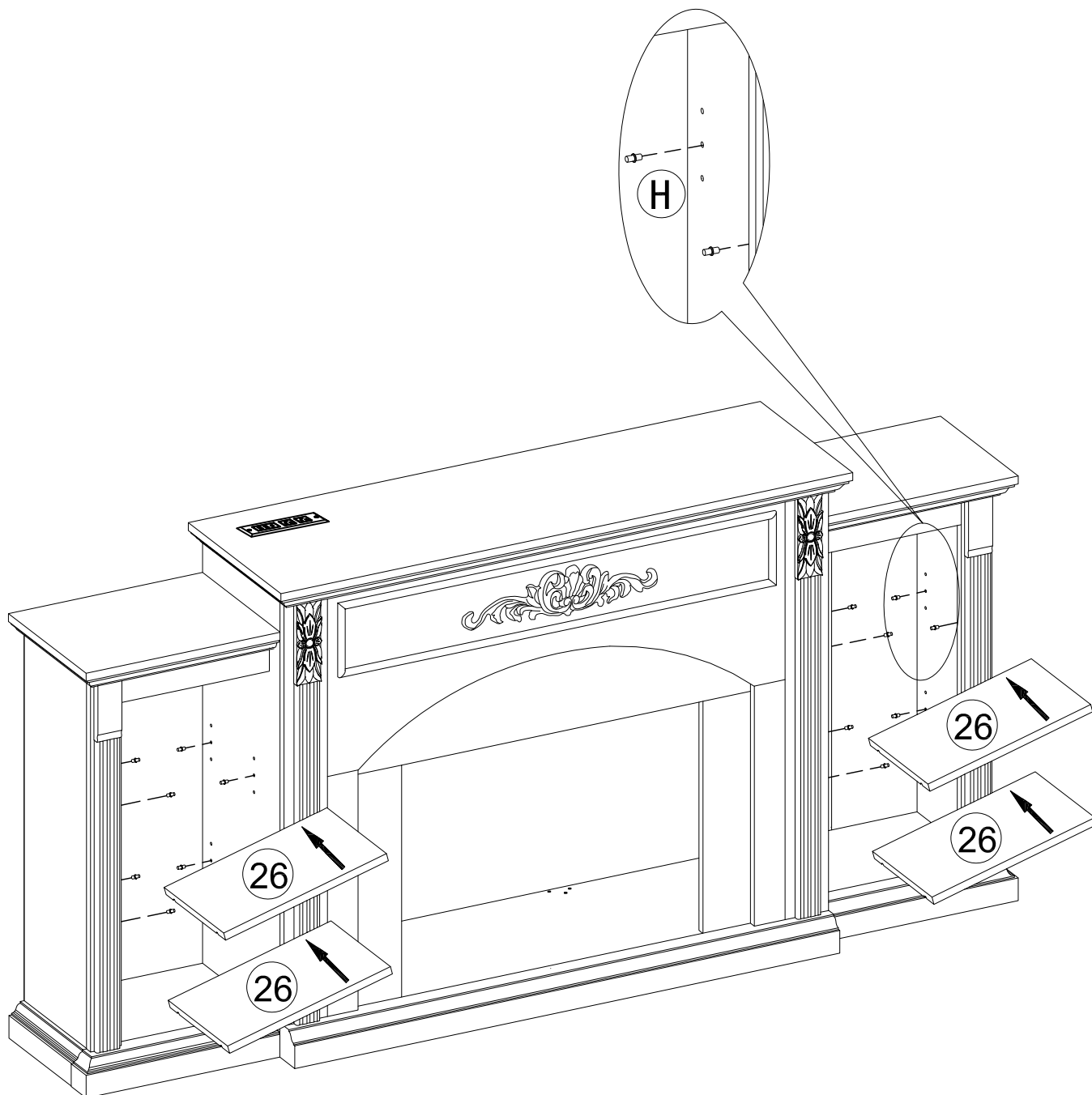
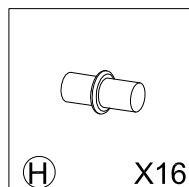
# STEP 25



# STEP 26

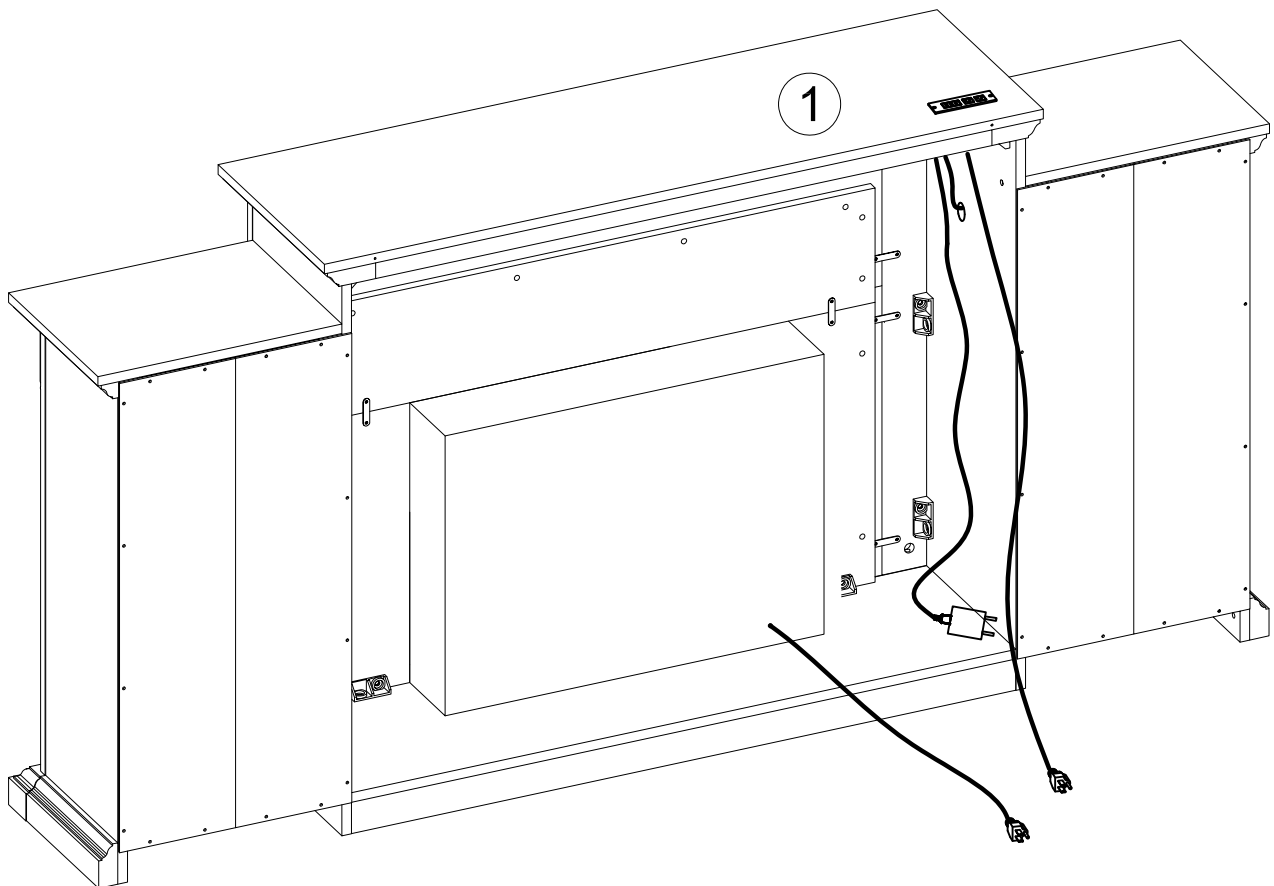


# STEP 27



## STEP 28

- In this step, we need to put the fireplace insert into the stand as instruction (fireplace insert) shows.
- Make sure we fix the insert properly then move to the next step.



# STEP 29

