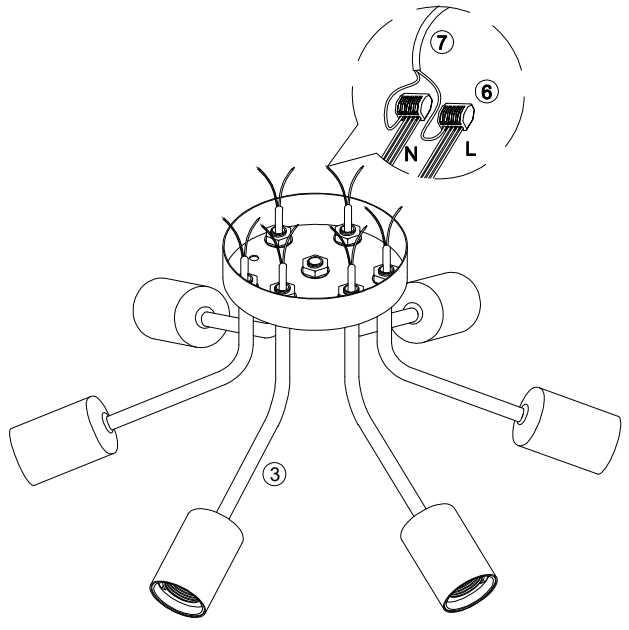
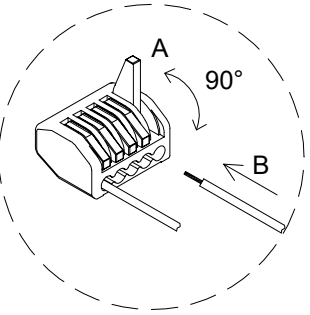
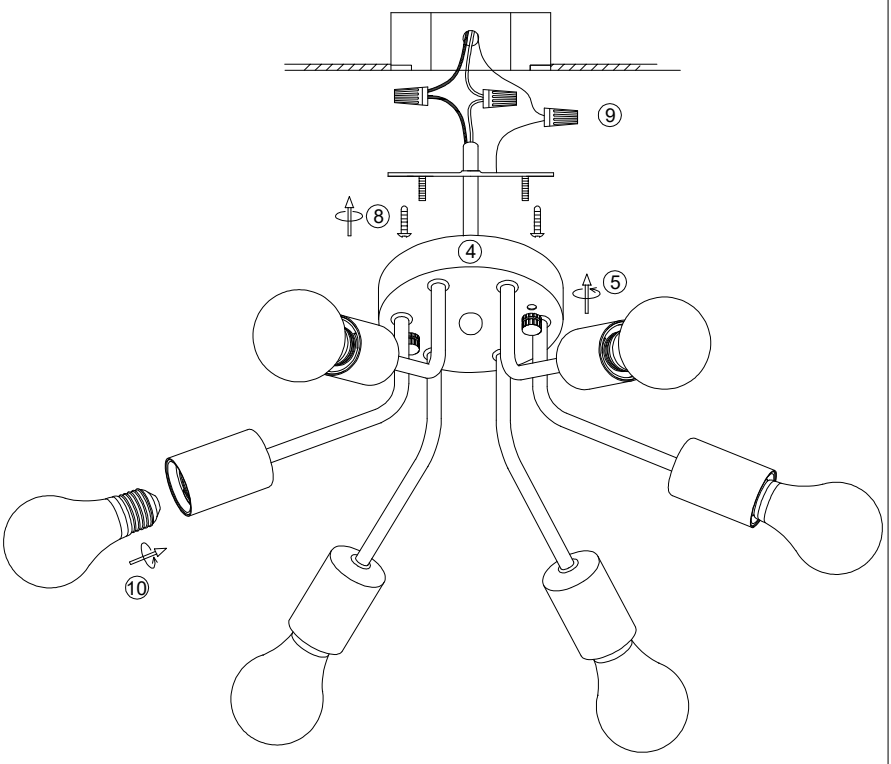


1. Install the arms ③ to the canopy ④ with lock nut ① and teeth lock washer ②, adjust the arms ② to suitable position.

1. Pull the orange operating handle A to open the inlet hole, insert the wire B.
 2. Press the operating handle A to finish wiring.
 (Note: one inlet hole can put 2 or 3 wires inside)



2. Connect the wires with main wire ⑦ by parallel with connector ⑥ (all live line-L use one connector, and neutral Line-N use another connector).



3. Install the bracket to the ceiling junction box with screw ⑧.
 4. Connect the wire to your home line.
 5. Install the fixture ④ to the bracket with cap nut ⑤.
 6. Install the bulb ⑩.

Please read carefully before installation!!!
Note : Please make sure that the electricity is powered off during installation !
Only a professional electrician should install this kind of product !