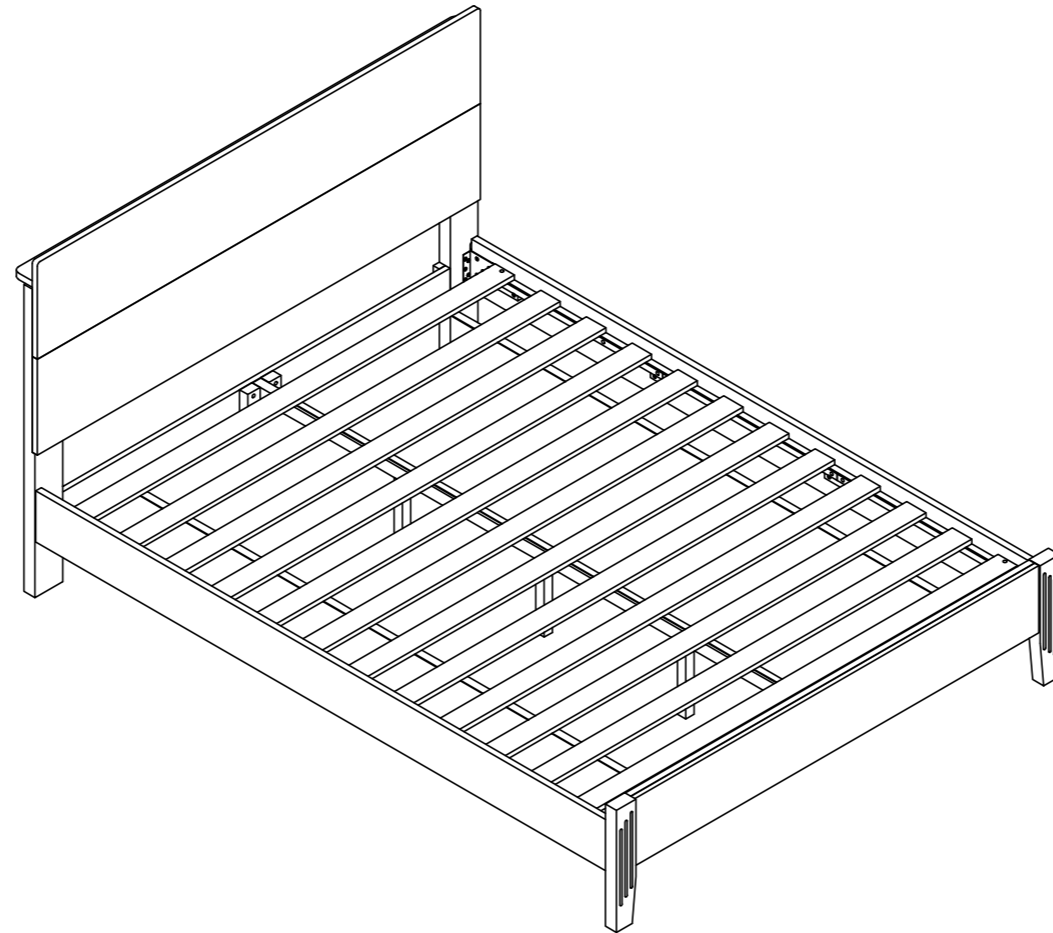


# User Manual



## Queen Size Solid Wood Bed

INSTRUCTIONS-KEEP FOR FUTURE REFERENCE

## Before You Begin

- Thank you for choosing our product. We are committed to providing you with excellent customer service.
- When unpacking, please check that all parts and hardware are included as listed. If anything is missing or incorrect, contact us immediately for replacement parts or assistance.
- Read this instruction manual carefully before starting assembly. Although we have included detailed steps, some situations may vary. If you need further support, please contact us.
- If you ordered multiple items, please be patient as they may arrive in separate shipments.

## Warnings & Safety

- Assemble this product on a soft, carpeted surface to prevent scratches.
- Keep all small parts away from children. Do not allow children to play on or jump on the bed.
- Do not use the bed as a step stool or ladder.
- Wear protective gloves when handling sharp edges during assembly.
- Before use, check all screws and fittings to ensure they are securely tightened.
- Hand tools are sufficient for assembly. If you use a power drill, set it to low speed to avoid damage.

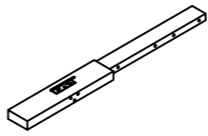
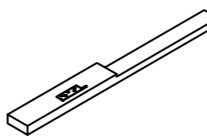
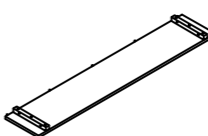
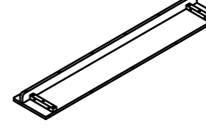
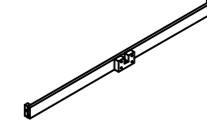

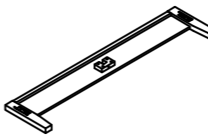
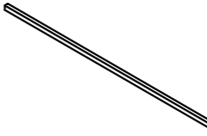
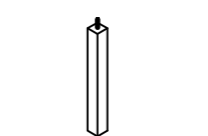
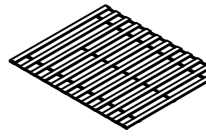
## Care & Maintenance

- Dust with a soft, dry cloth. Avoid using harsh chemicals or solvents as they may damage the finish.
- Clean spills immediately by blotting with a soft cloth. Do not rub.
- Avoid placing the bed near heat sources (stoves, fireplaces, radiators, etc.) or in direct sunlight for extended periods.
- Periodically (every 90 days), check and re-tighten all screws.
- Maximum weight capacity: 1100 lbs (Do not stand on the bed).

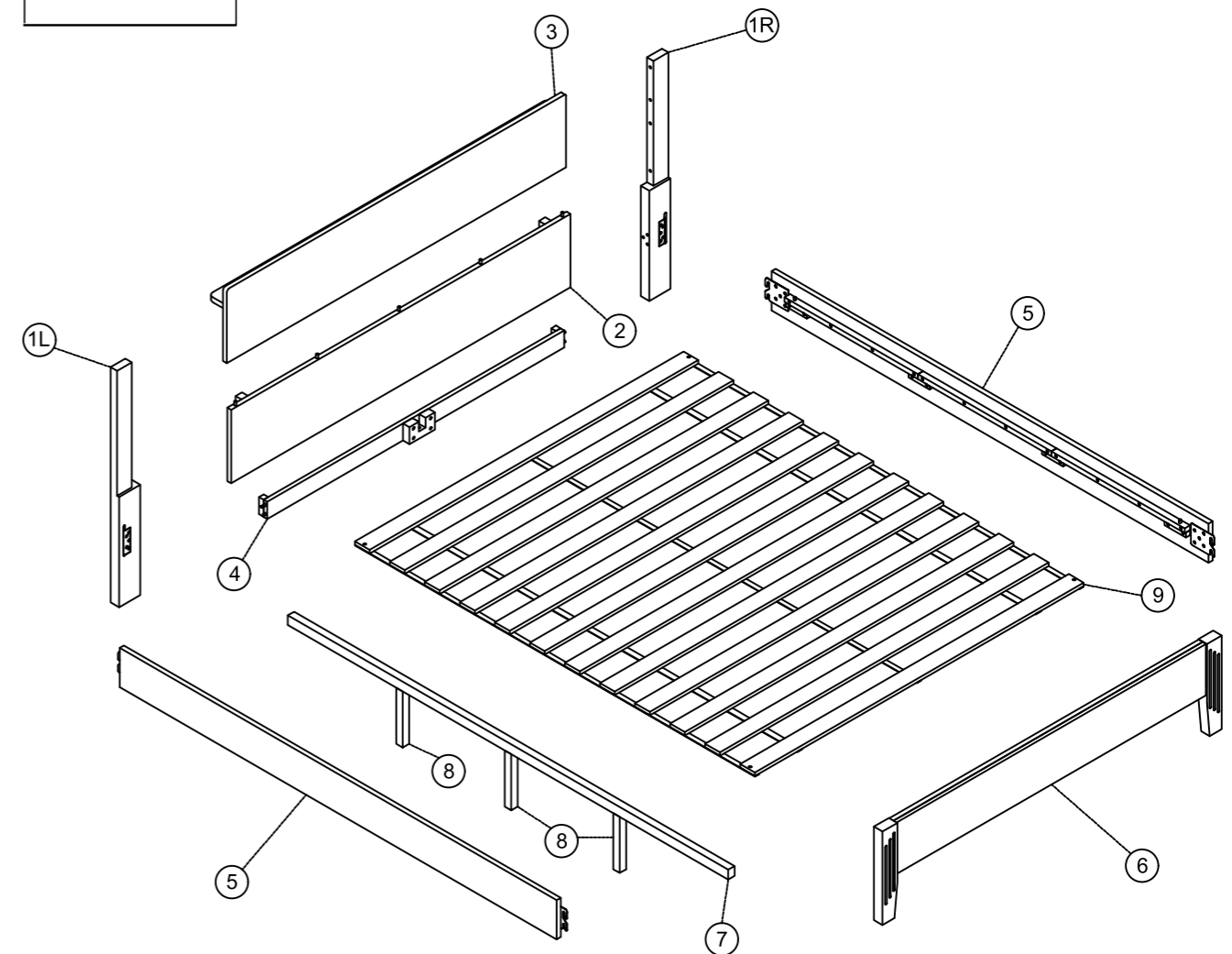
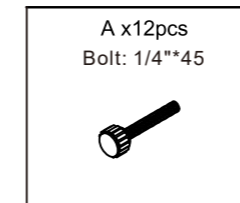
## Parts & Hardware Checklist

- Please check and ensure that all parts are included in the package before beginning assembly.
- Do not fully tighten any screws, nuts, washers, or bolts until all components are properly aligned and in place.

## Part List

<p>①L x1pc Headboard Left Leg</p> 	<p>①R x1pc Headboard Right Leg</p> 	<p>② x1pc Headboard Panel 1</p> 	<p>③ x1pc Headboard Panel 2</p> 	<p>④ x1pc Front Stretcher</p> 	<p>⑤ x2pcs Side Panels</p> 
<p>⑥ x1pc Footboard</p> 	<p>⑦ x1pc Center Support Bar</p> 	<p>⑧ x3pcs Support Legs For Slat</p> 	<p>⑨ x1pc Slats</p> 		

## Hardware list

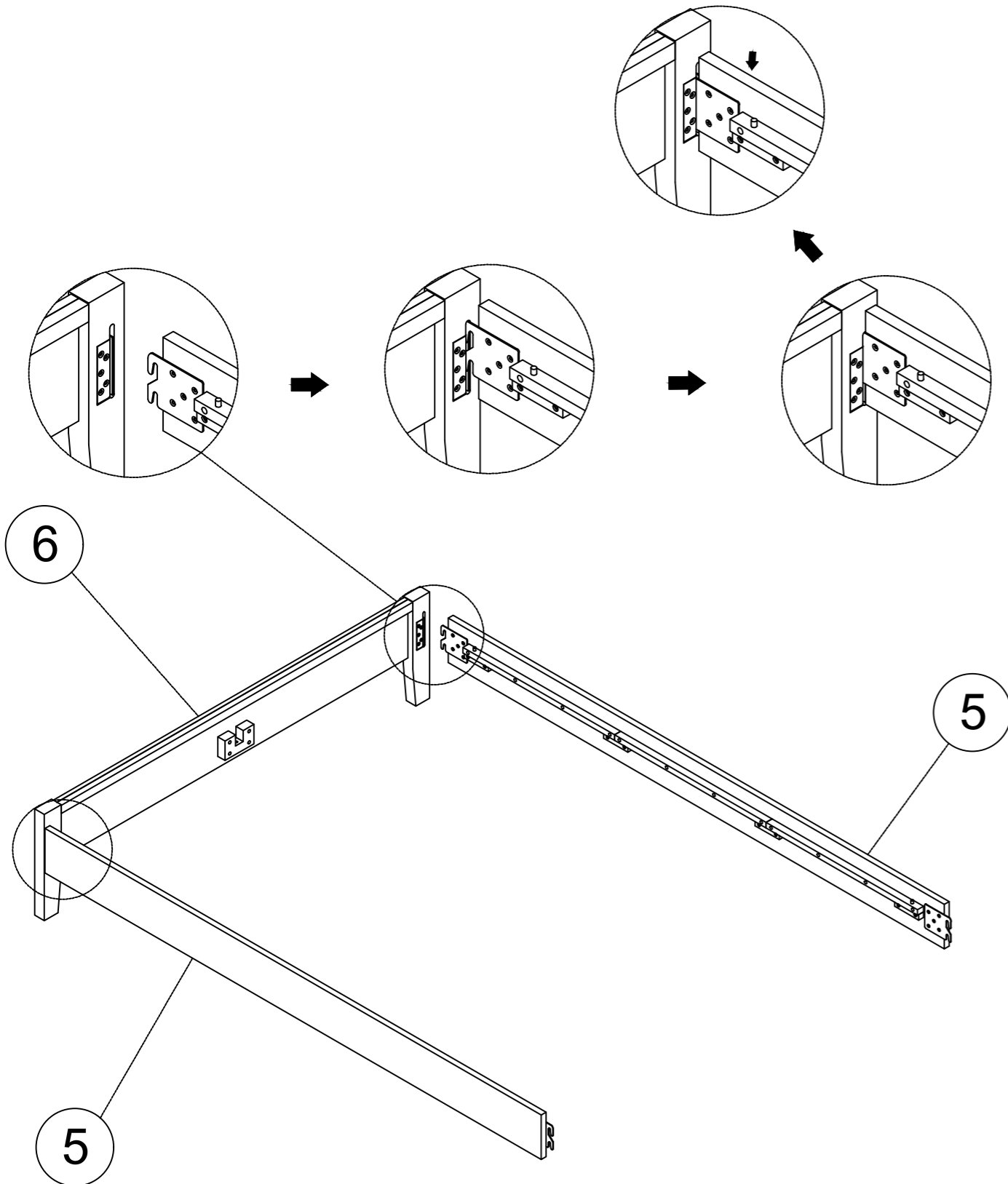




# Assembly Instructions

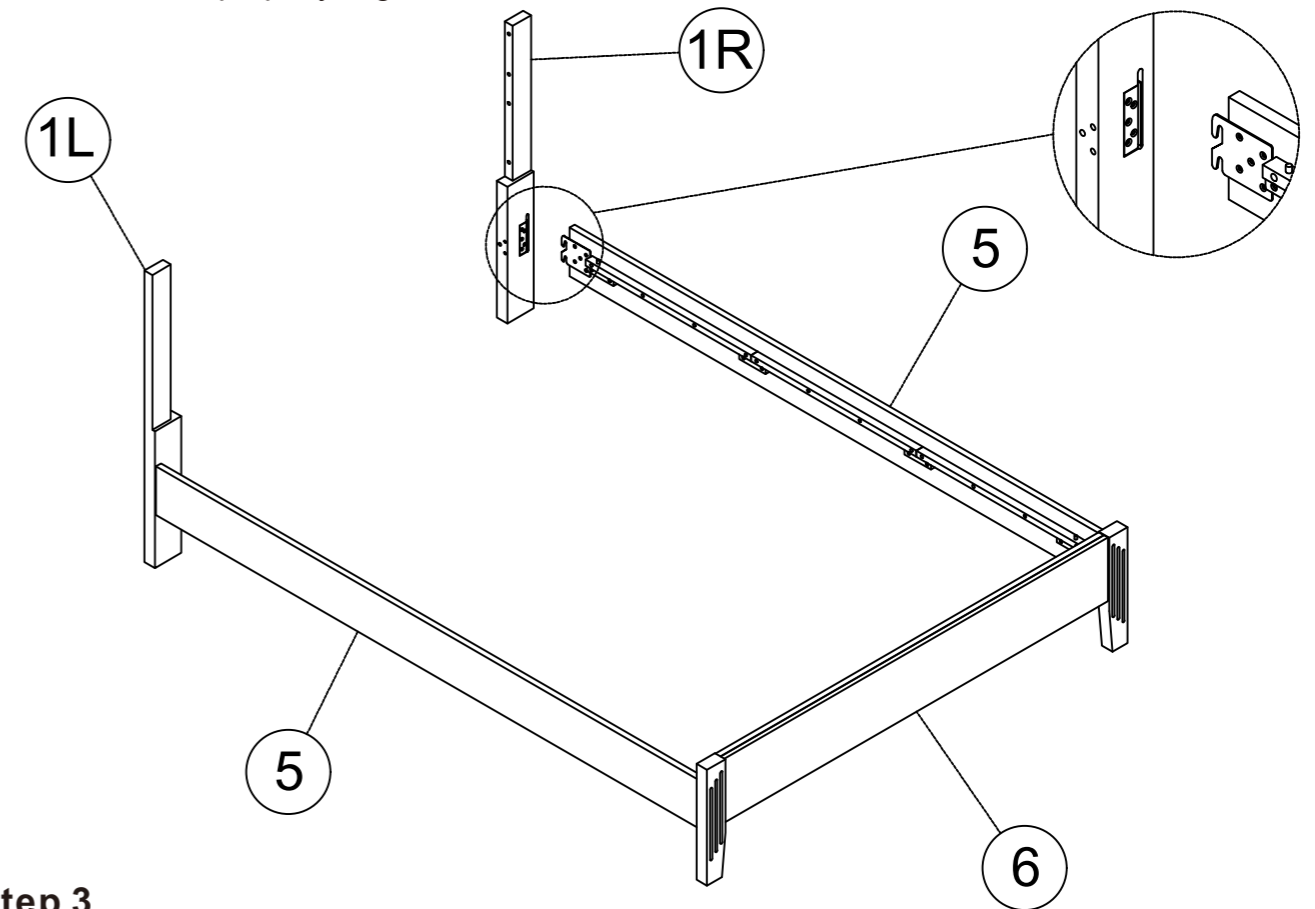
## Step 1

Attach the two Side Panels ⑤ to the Footboard ⑥ by securing them with the locking mechanisms.



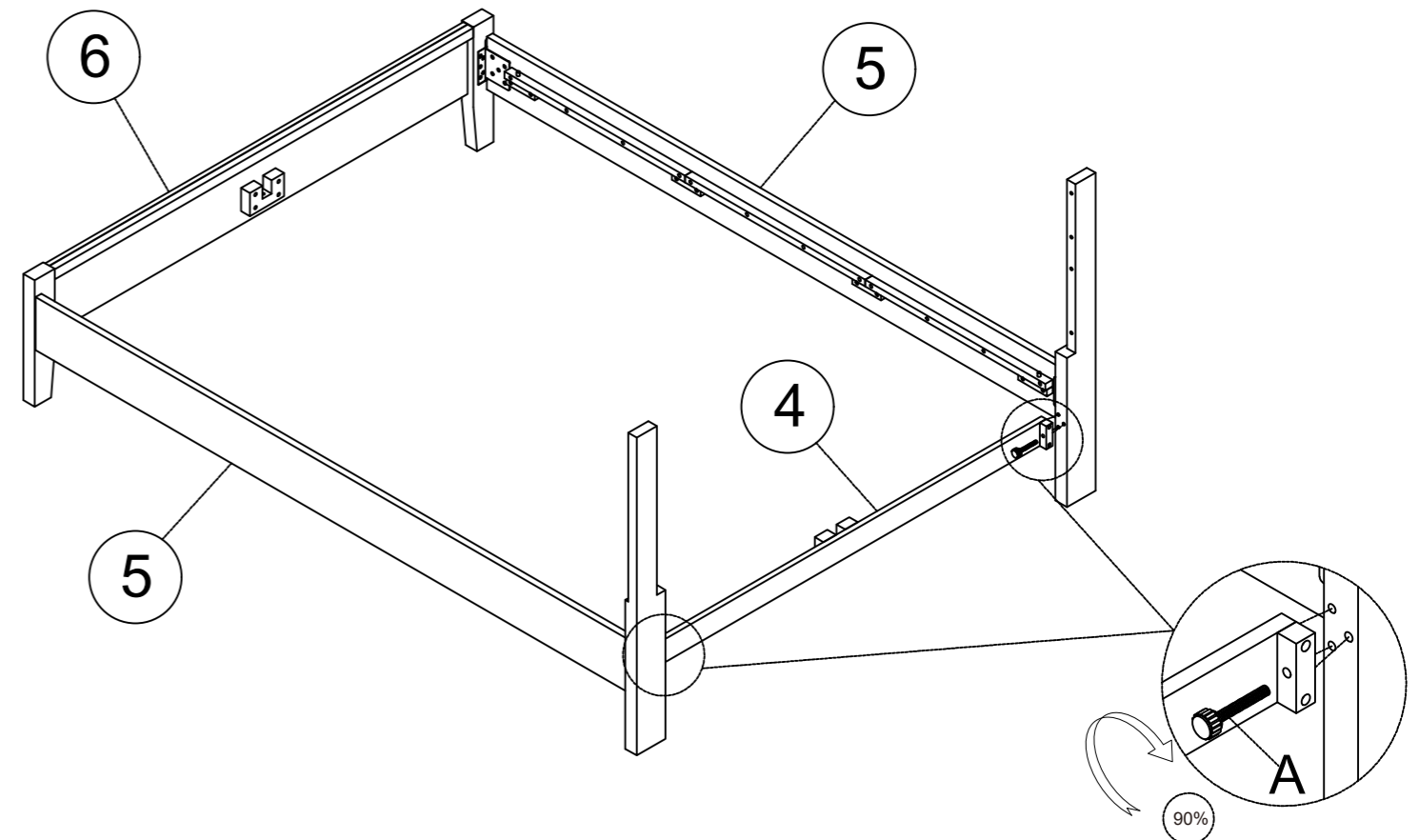
## Step 2

Connect the assembled Side Panels to the Headboard Legs (1L, 1R), ensuring that the locking mechanisms are properly aligned.



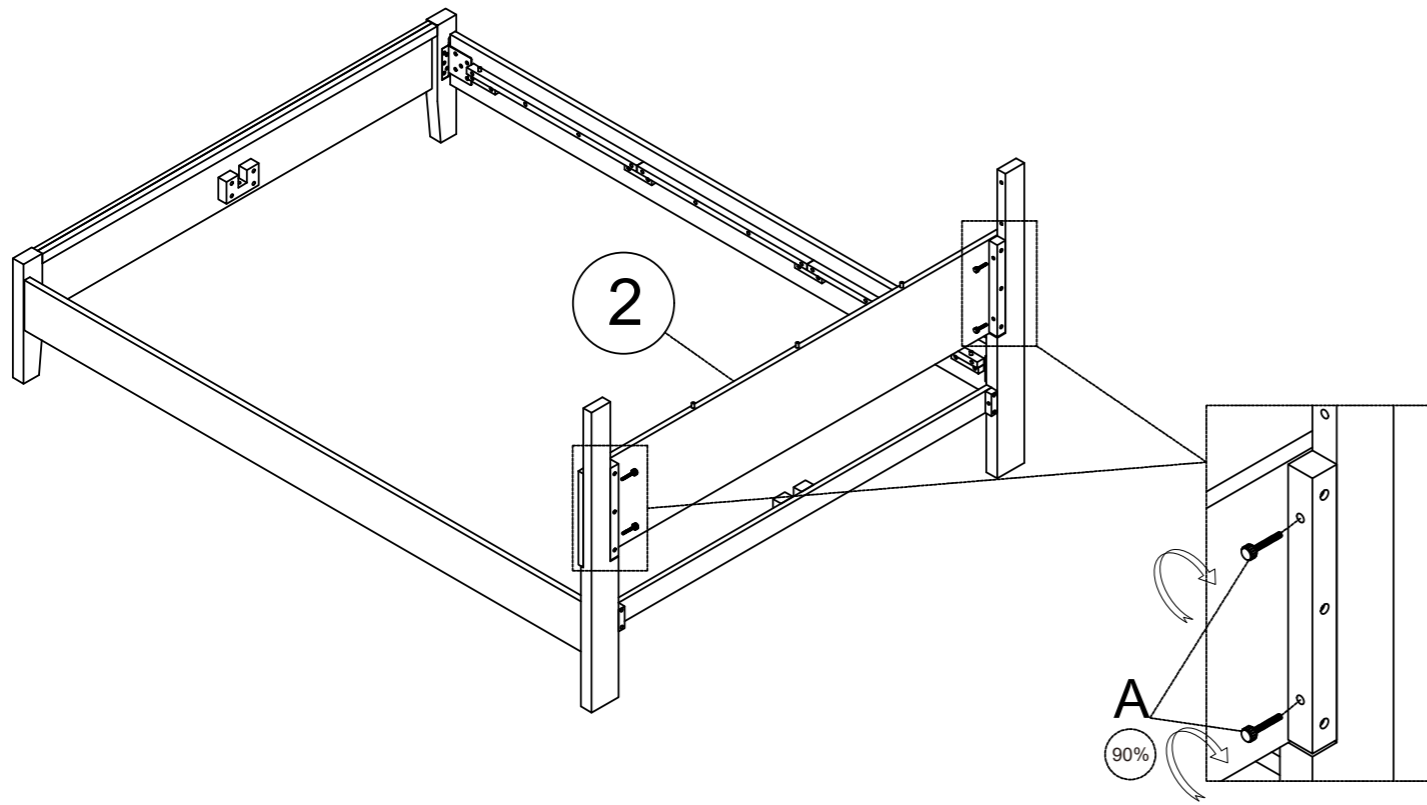
## Step 3

Attach the Front Stretcher ④ to the Headboard Legs. Tighten the bolts to about 90%.



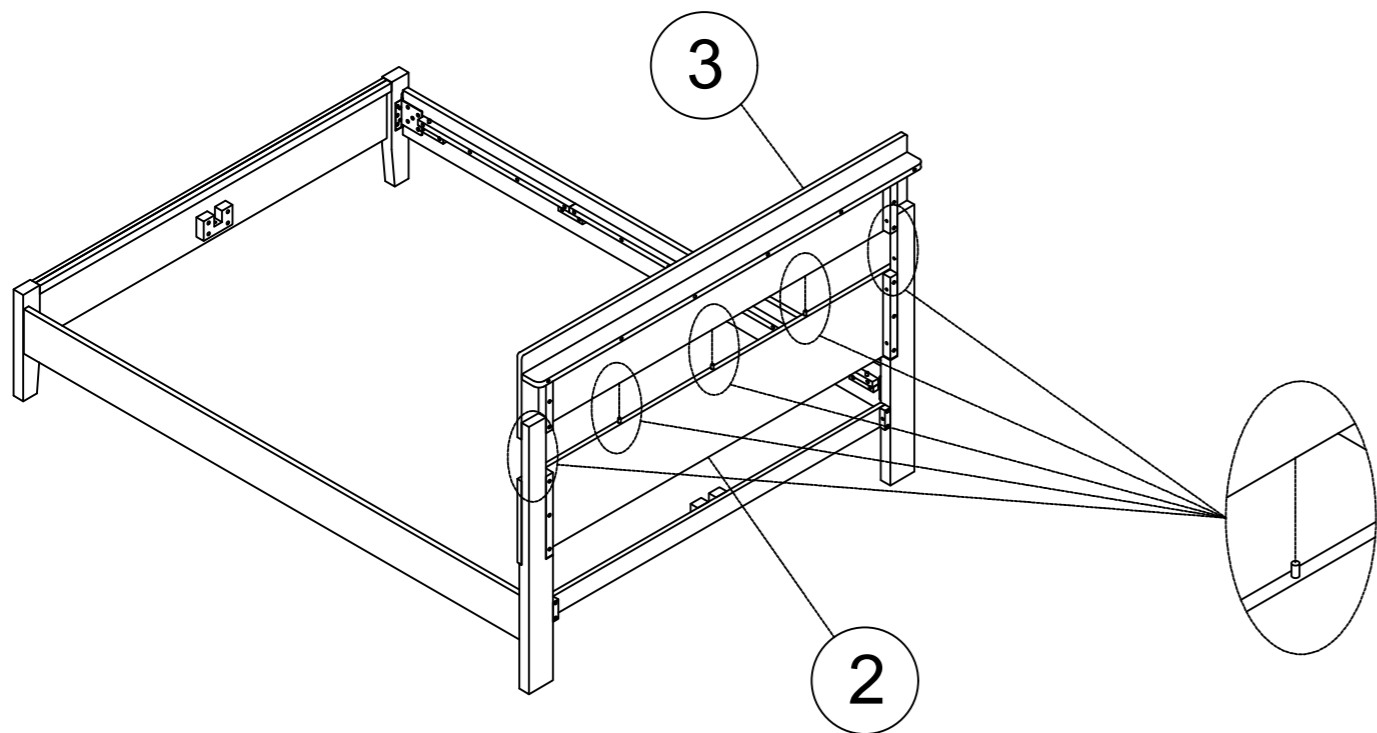
## Step 4

Position the Lower Headboard Panel ② against the holes on the Headboard Legs and fasten it with four bolts. Tighten the bolts to about 90%.



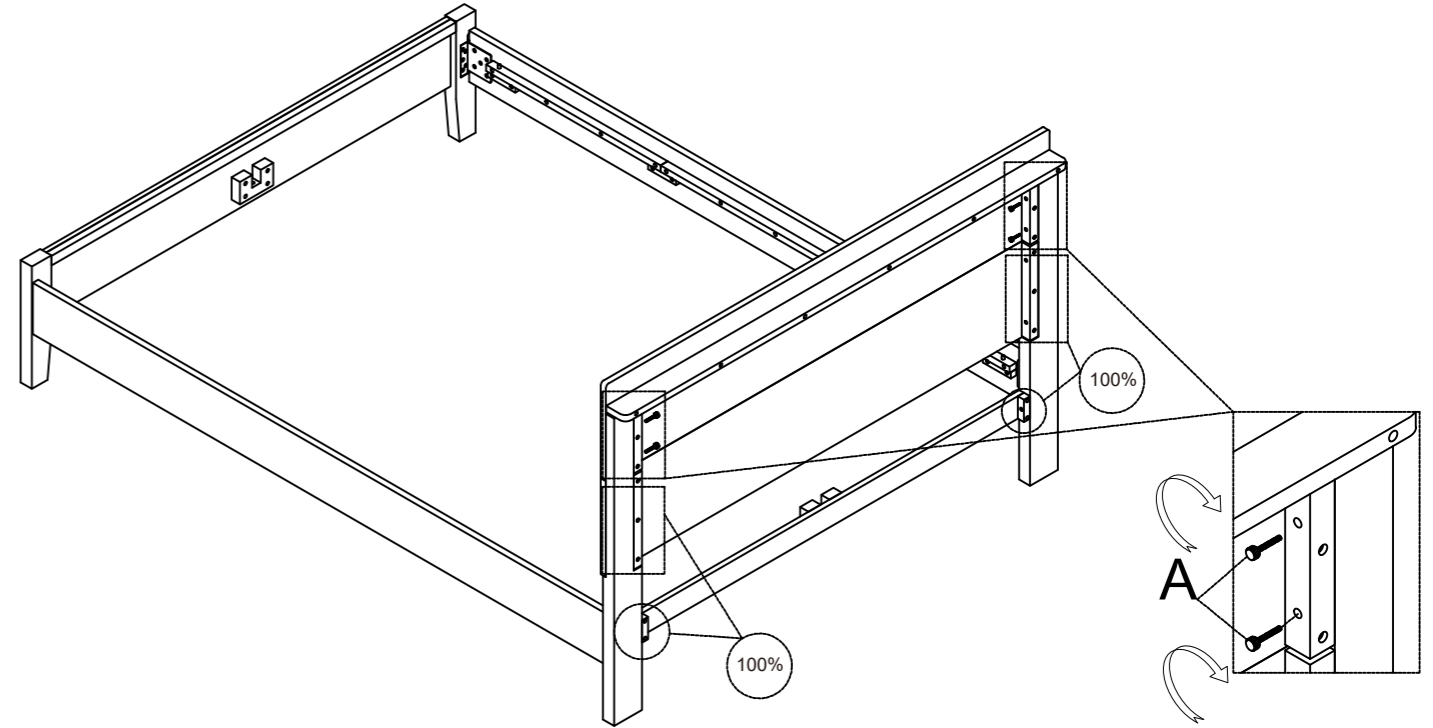
## Step 5

Align the Upper Headboard Panel ③ with the pre-installed dowels on the Lower Headboard Panel ②.



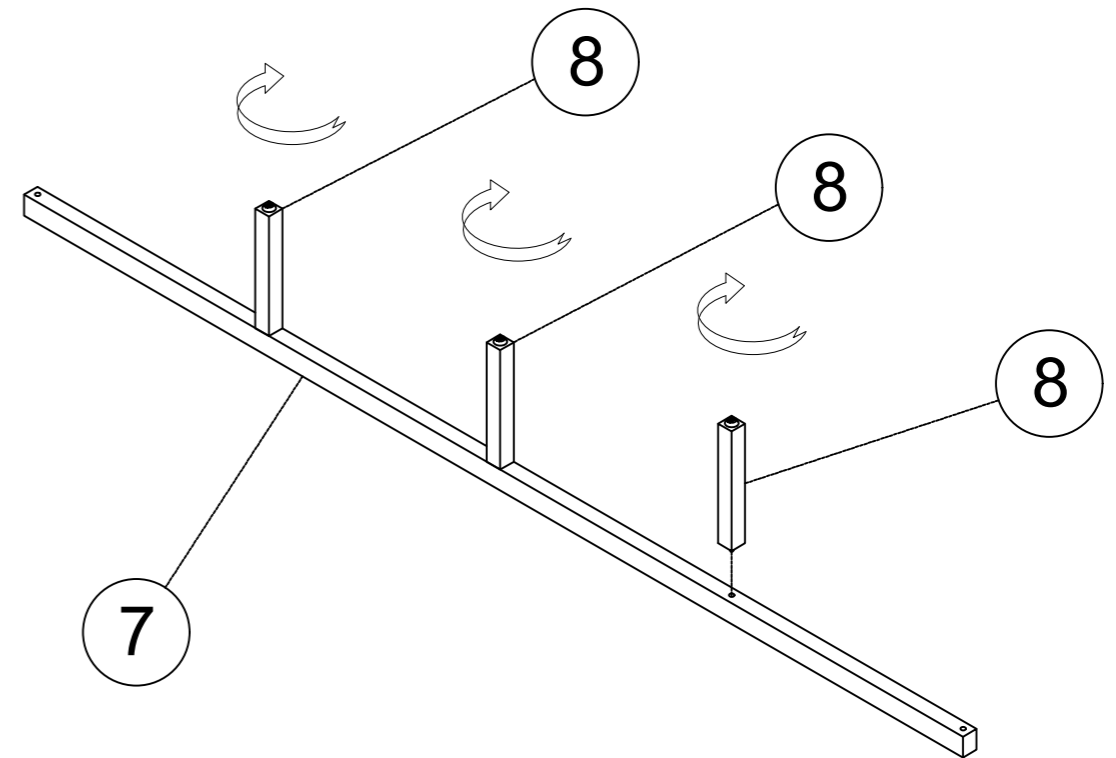
## Step 6

Secure the Upper Headboard Panel to the Headboard Legs with two bolts on each side. After confirming that the main frame is aligned and squared, fully tighten all bolts.



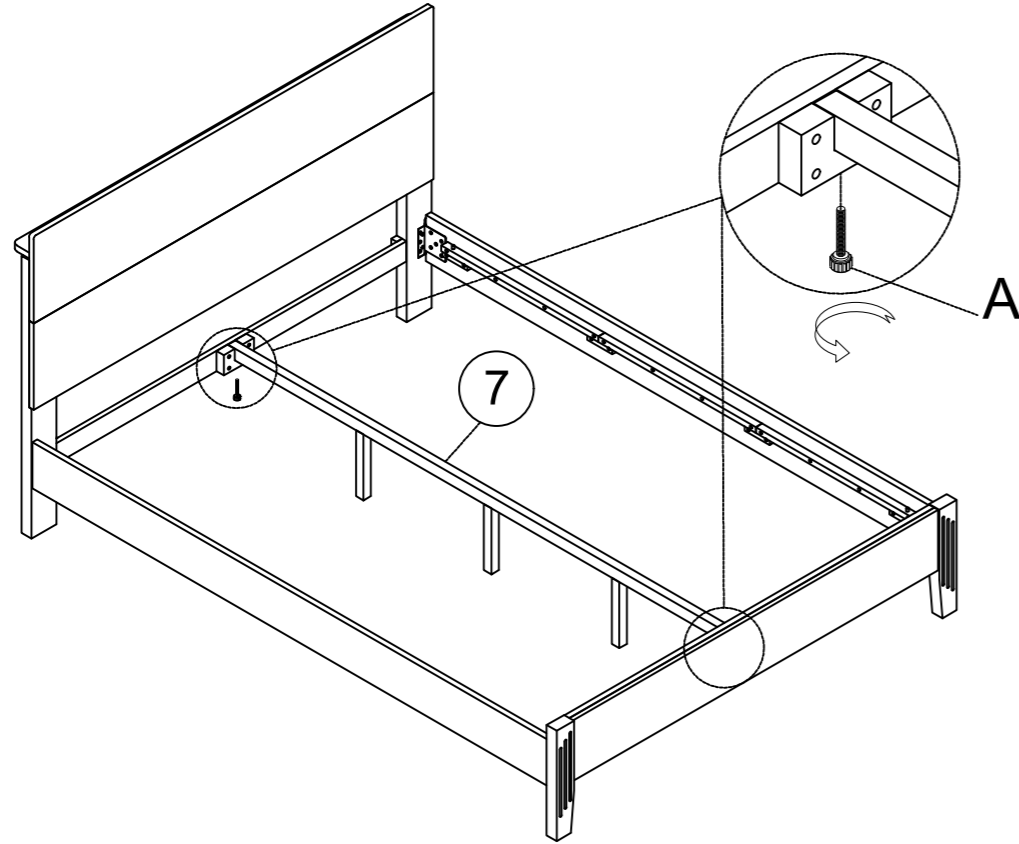
## Step 7

Install the Center Support Bar ⑦ together with the three Support Legs ⑧. Fully tighten all screws.



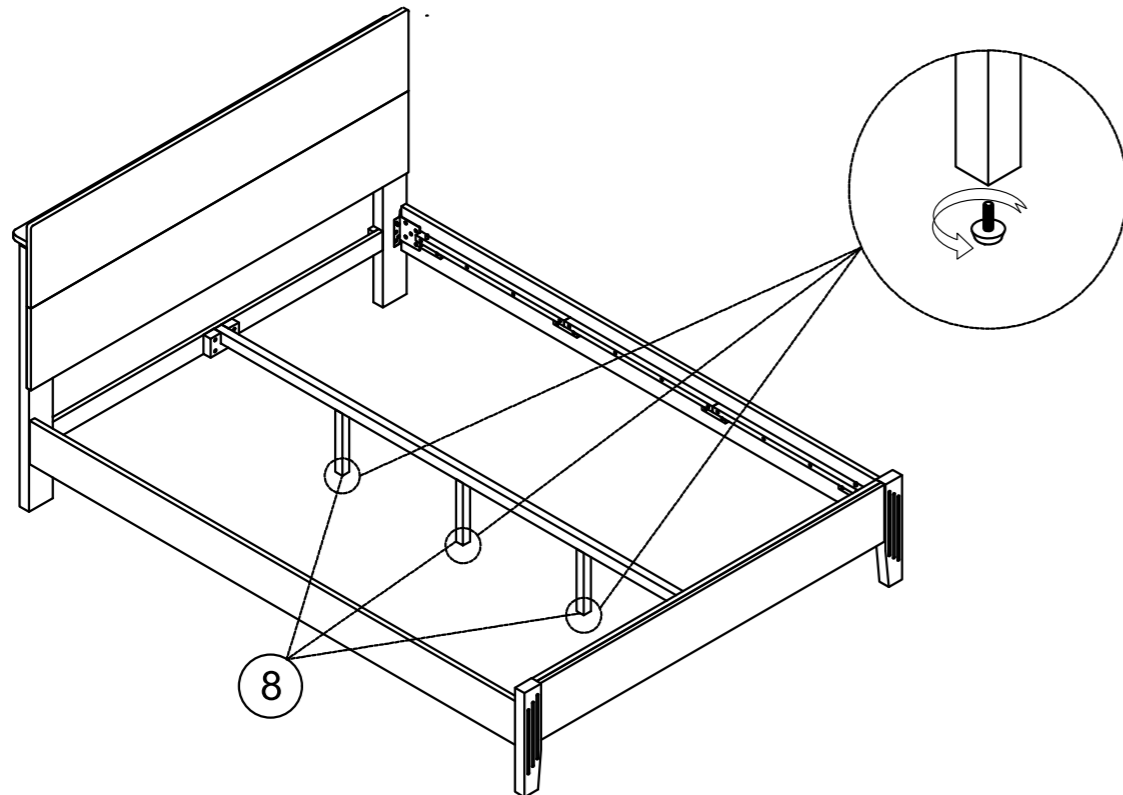
## Step 8

Align the Center Support Bar with the reserved slots at the front and back of the bed frame, then secure it from underneath with screws for stability.



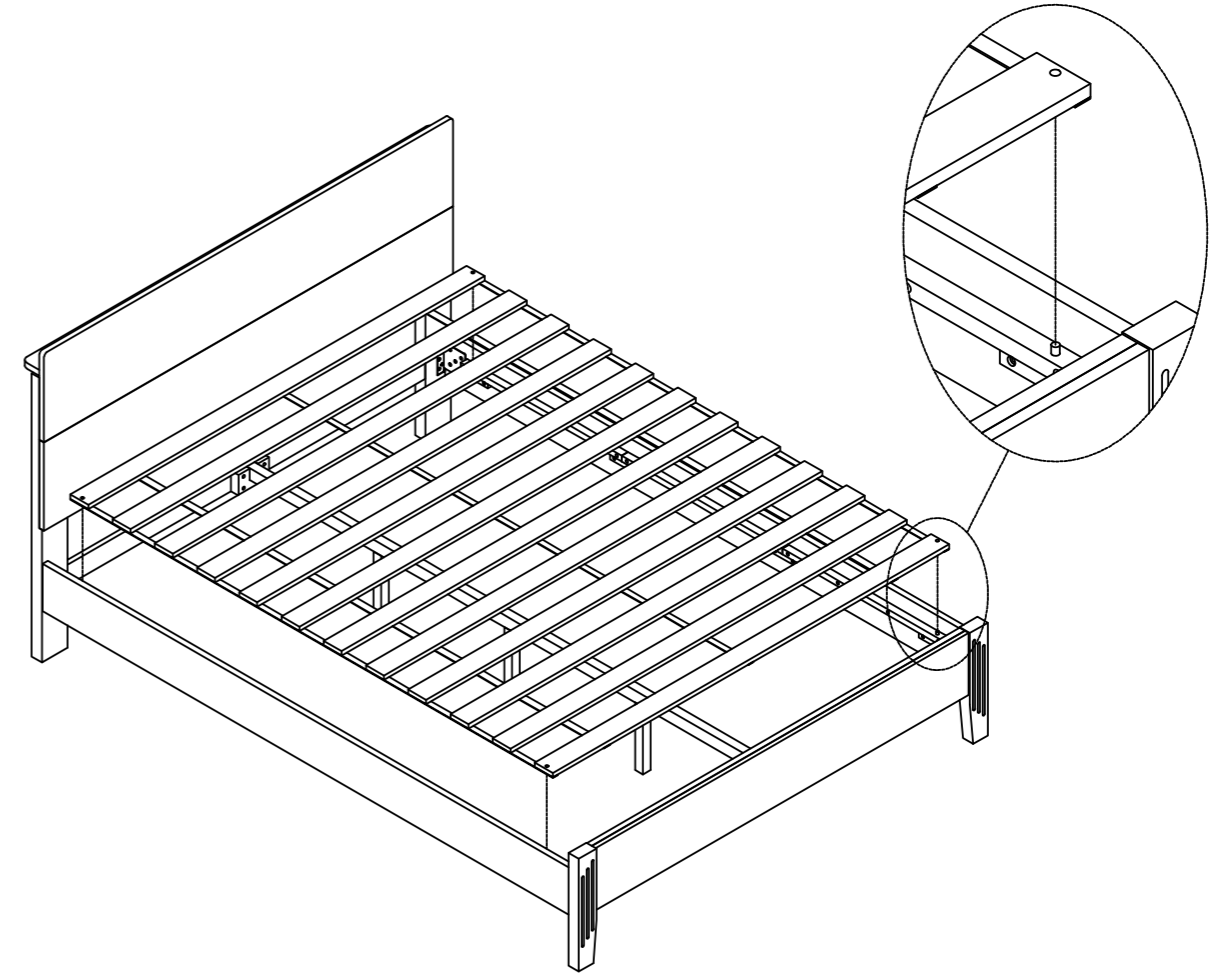
## Step 9

Adjust the leveling feet of the Support Legs so that the Center Support Bar is even and flush with the bed frame.



## Step 10

Place the Slats ⑨ evenly across the bed frame, making sure that the slats in all four corners are properly aligned with the wooden dowels on the side panels.



**Assembly is complete!**

Before use, double-check that all screws are fully tightened.

