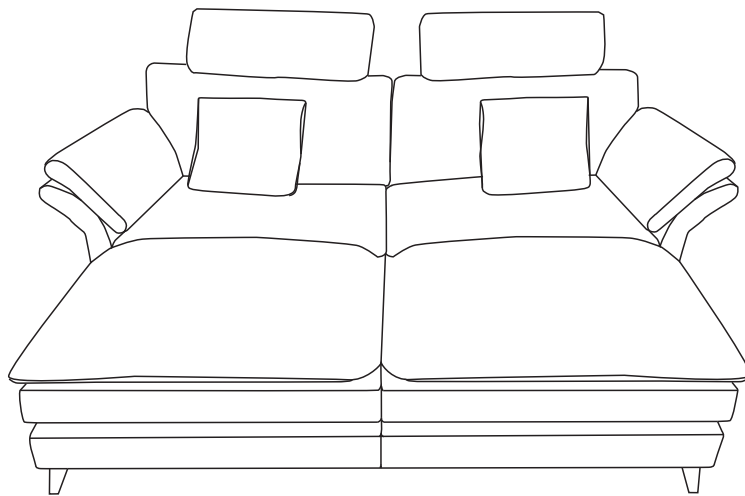


ASSEMBLY INSTRUCTION

Friendly Reminder:




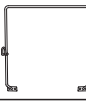
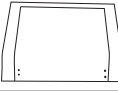




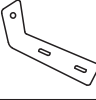


- 1.This sofa is packed in 3 boxes. Please assemble it After all boxes are received.
- 2.As the cushions are all vacuum compressed,there will be some wrinkles. Please give your cushions up to 72 hours to reach its original size and the wrinkles will basically disappear.
- 3.Please do not open the compressed packags until your sofa frame is completely assembled.



--We strive to offer the highest quality products,and we also try our best to satisfy each and every customer that orders from us with replacement parts or service as needed.


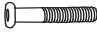



ASSEMBLY INSTRUCTION

PARTS LIST - BOX A

NO.	DESCRIPTION	SKETCH	QTY
A	Seat frame		2
B	Seat cushion		2
K	Headrest		2
M	Headrest rest		2
G	Back frame		2
J	Left back cushion		1
Z	Right back cushion		1
L	Pillow		2
P	Leg		8
Q	L iron		2
R	Screws 6x18		14
S	Screws 8x20		16

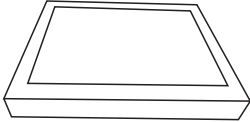
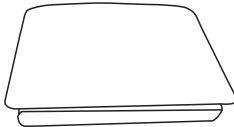
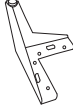


ASSEMBLY INSTRUCTION

PARTS LIST - BOX A

NO.	DESCRIPTION	SKETCH	QTY
T	Screws 8x60		16
U	Screws 8x80		2
V	Washer		20
W	Butterfly nut		2
X	Wrench		1


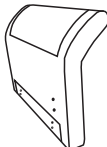


ASSEMBLY INSTRUCTION

PARTS LIST - BOX B

NO.	DESCRIPTION	SKETCH	QTY
C	Ottoman frame		2
D	Ottoman cushion		2
P	Leg		8
S	Screws 8x20		16
X	Wrench		1

ASSEMBLY INSTRUCTION

PARTS LIST - BOX C

NO.	DESCRIPTION	SKETCH	QTY
E	Left armrest		1
F	Right armrest		1
H	Left armrest bag		1
I	Right armrest bag		1

ASSEMBLY INSTRUCTION

All parts and hardwares.

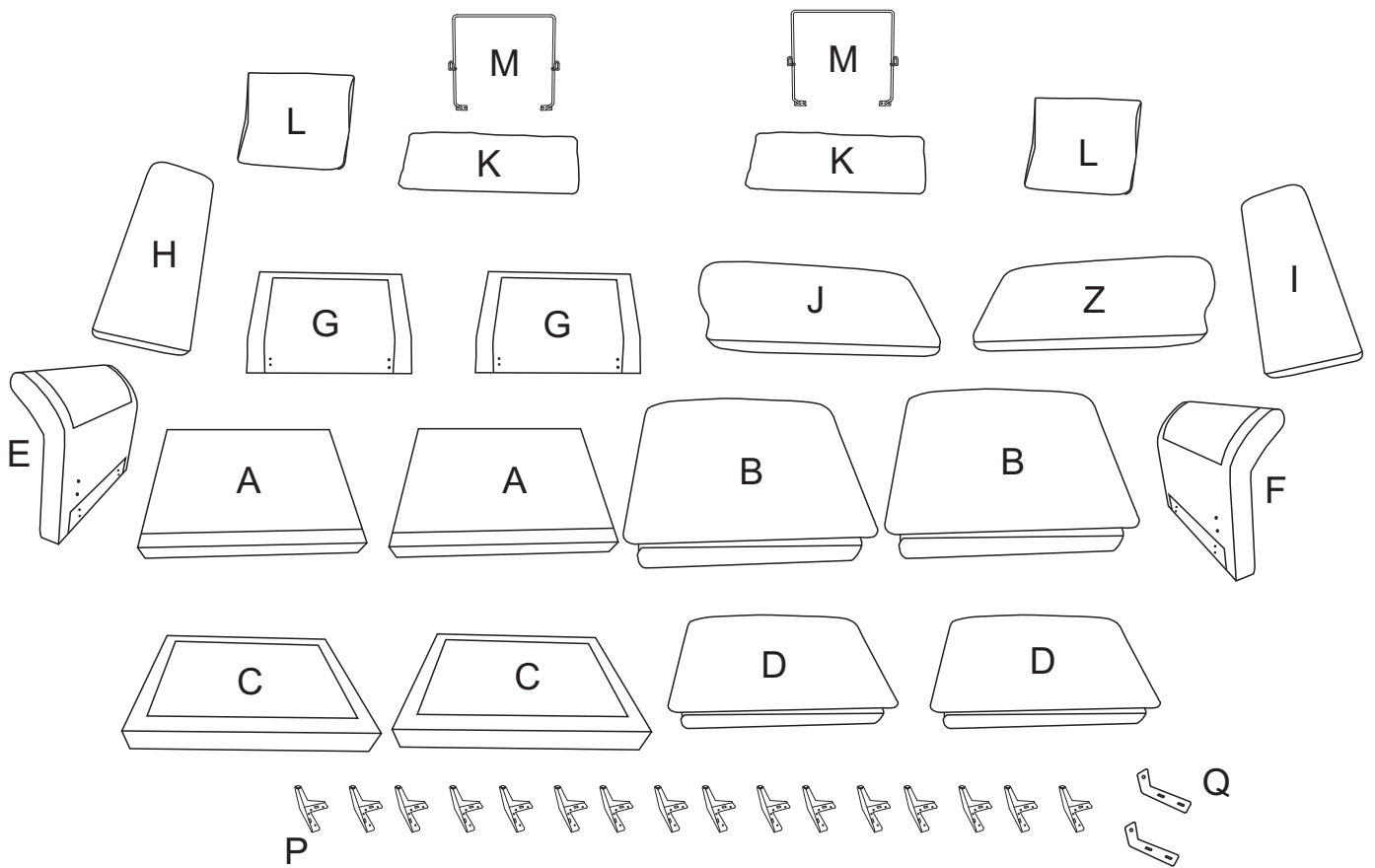






DIAGRAM 1

V		8PCS
T	 M8X60	8PCS
Q		2PCS
R	 M6x18	6PCS

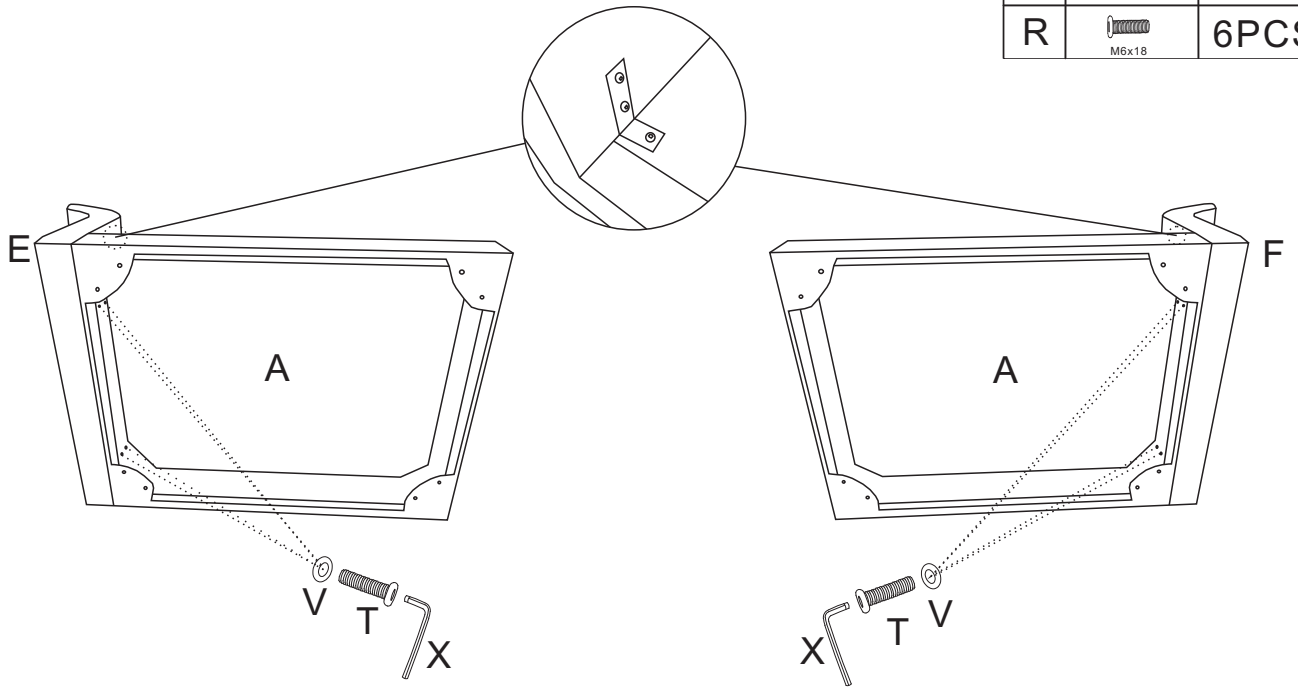




DIAGRAM 2

V		8PCS
T	 M8X60	8PCS

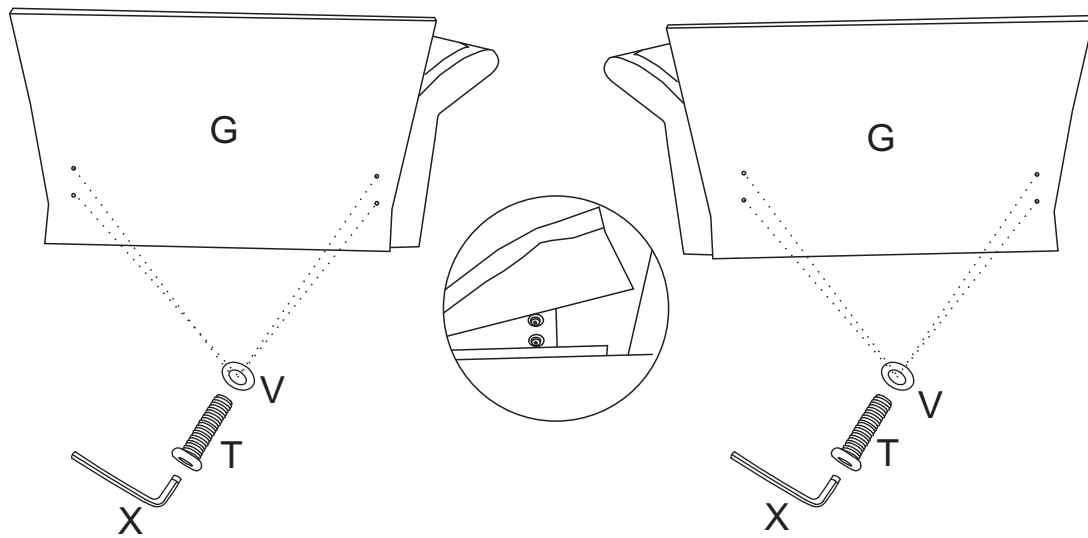

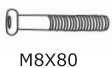



DIAGRAM 3

V		4PCS
U	 M8X80	2PCS
W		2PCS

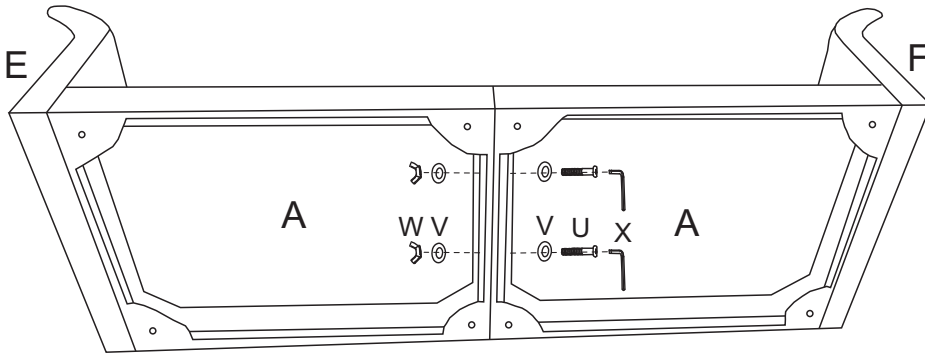




DIAGRAM 4

P		16PCS
S	 M8x20	32PCS

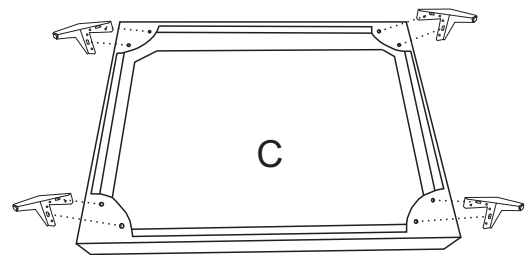
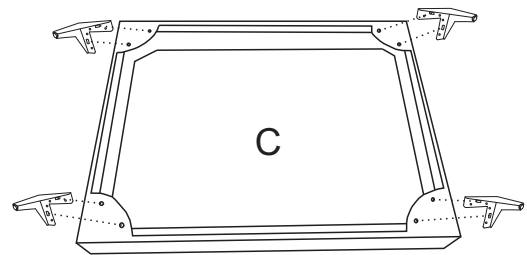
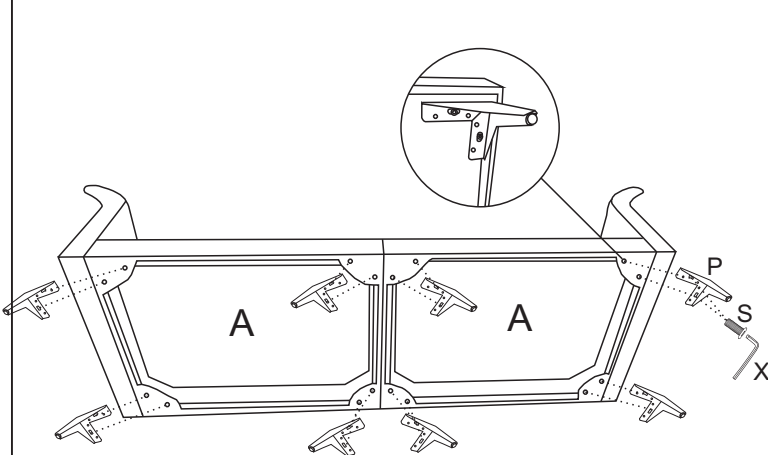
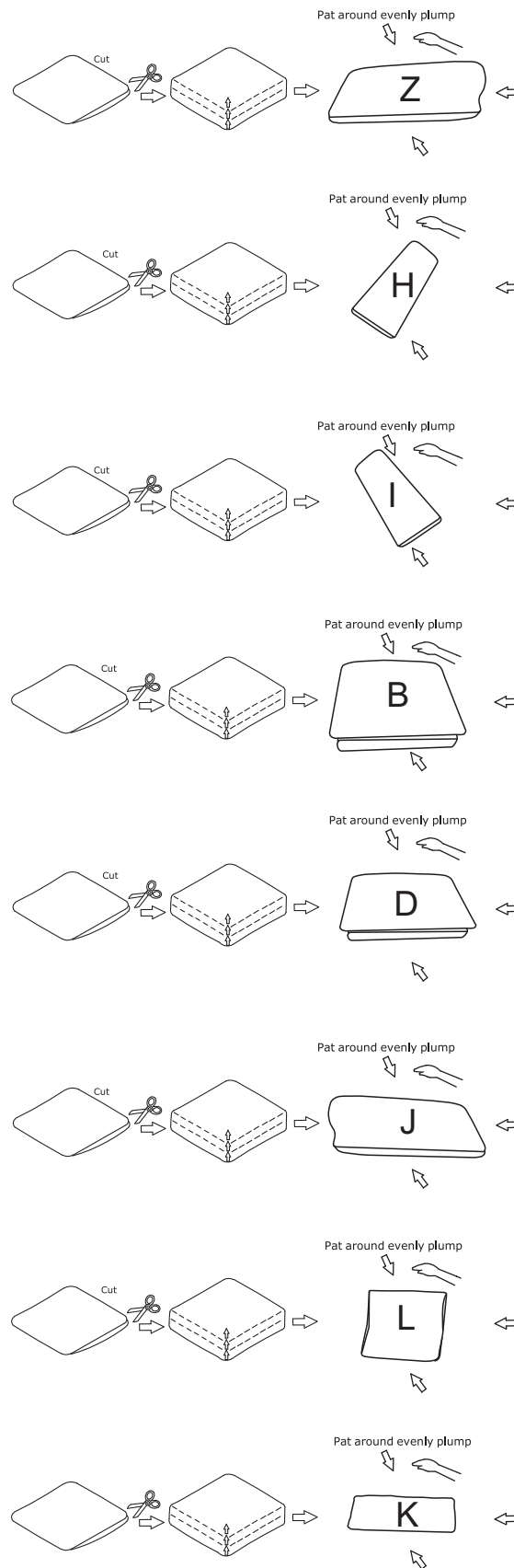


DIAGRAM 5



Tips:

1. Please do not open the compressed packages until your sofa frame is completely assembled.
2. Compressed back cushions and pillows need to be fully fulfilled within 72 hours for your perfect use.
3. Please keep children away from plastic bags or any small pieces of stuff.

R



8PCS

DIAGRAM 6

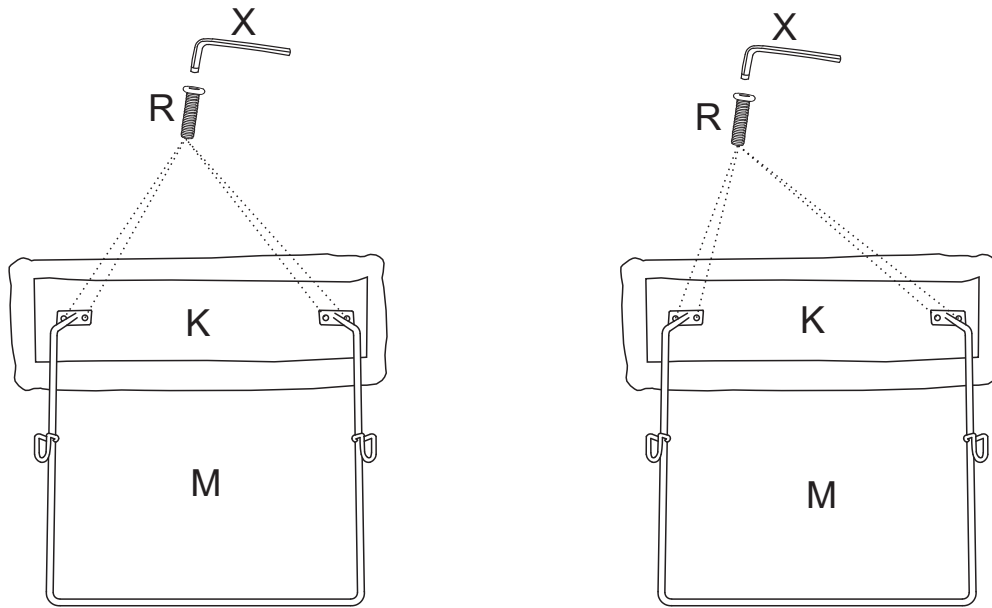
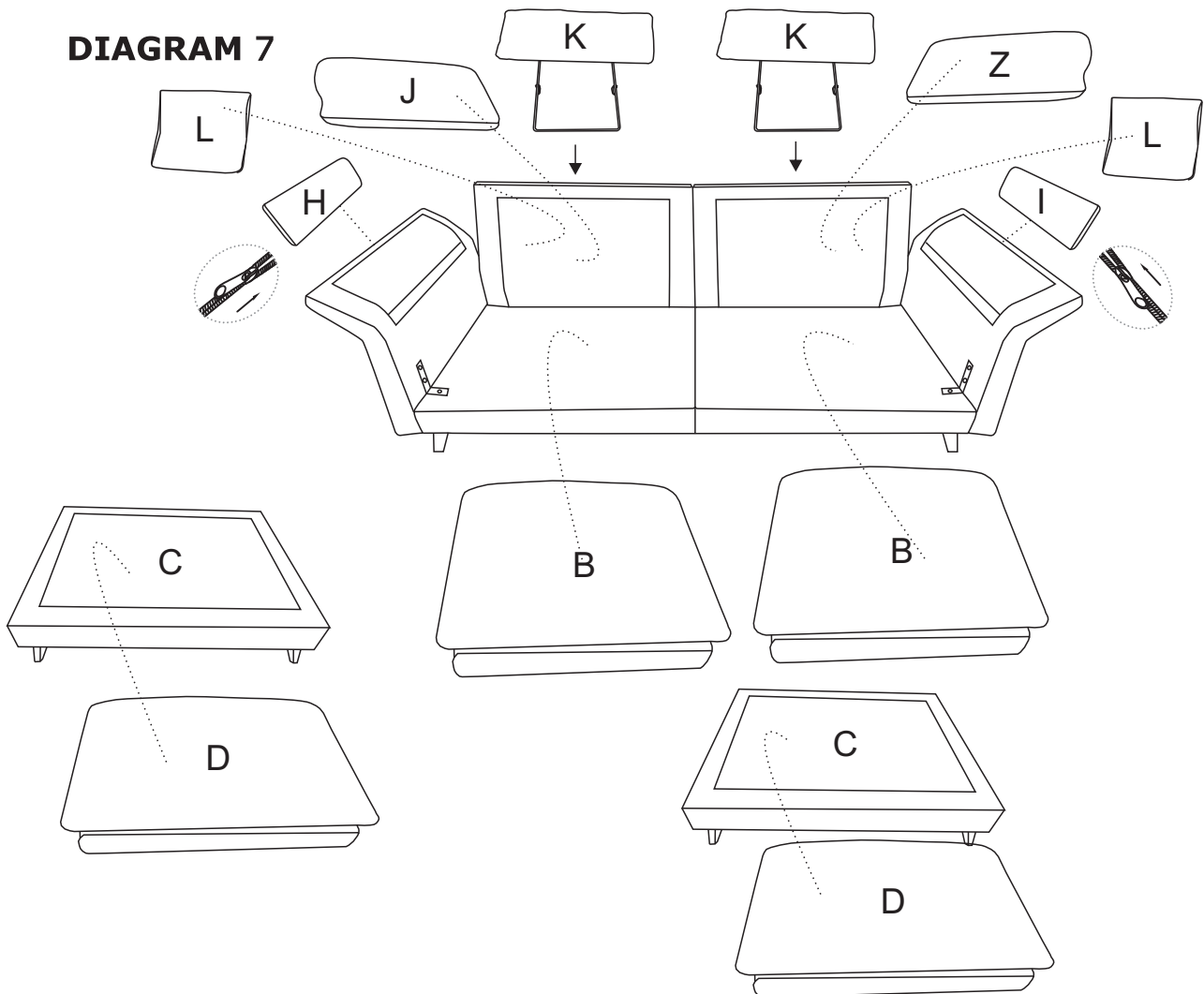


DIAGRAM 7



COMPLETE

