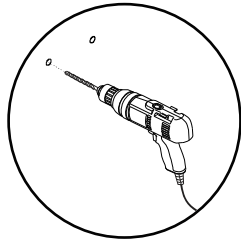
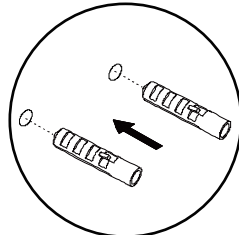


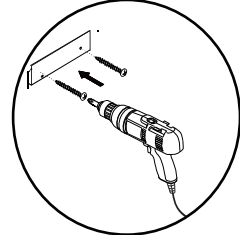
A



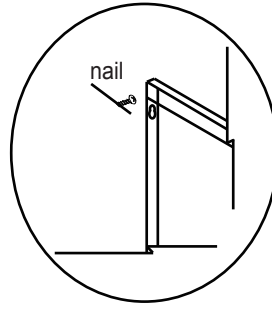
B



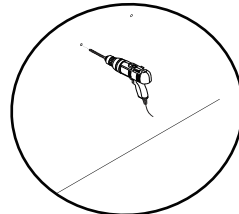
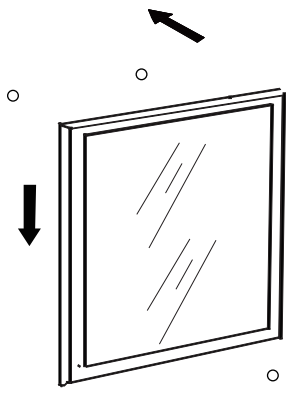
C



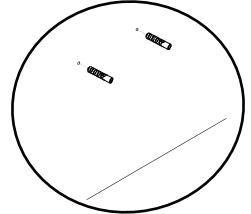
D



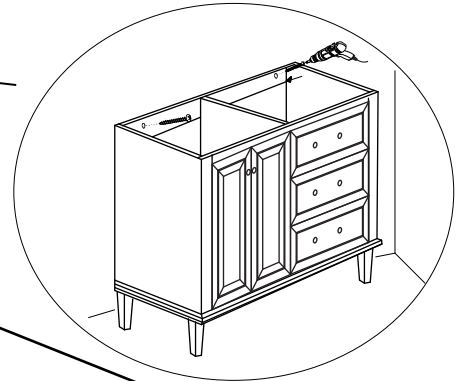
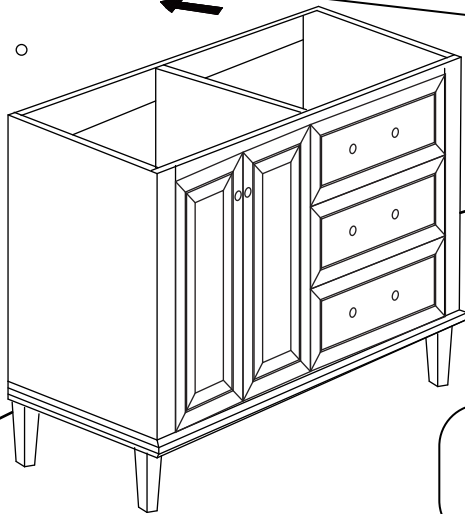
E



F



G*



H

Adjustable leg leveler.
Adjust for level.

REQUIRED TOOLS:

#2

1/8" Drill bit (SCREWS NOT INCLUDED)

*SECURE SCREW TO STUDS WHEN POSSIBLE