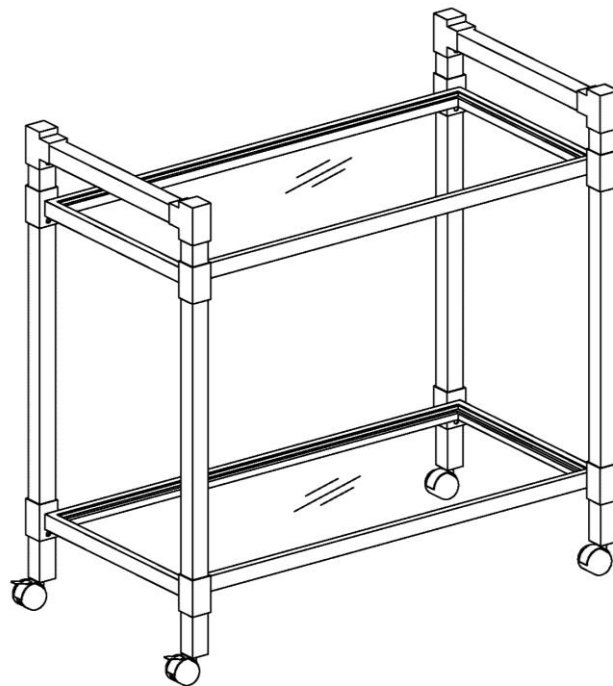



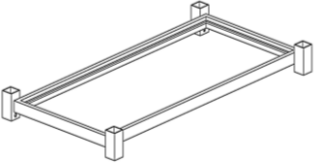
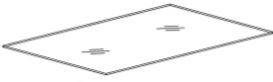



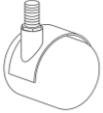
# Assembly Instructions

**Caution : You must read this before you proceed**

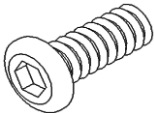

## Bar Cart


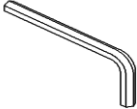


## Parts List

Label	Picture	Description	QTY
A		Connecting metal tube	4
B		Metal shelf	2
C		Clear glass	2
D		Acrylic armrest	2
E		Acrylic legs	4
F		Wheels with brakes	2
G		Wheels	2

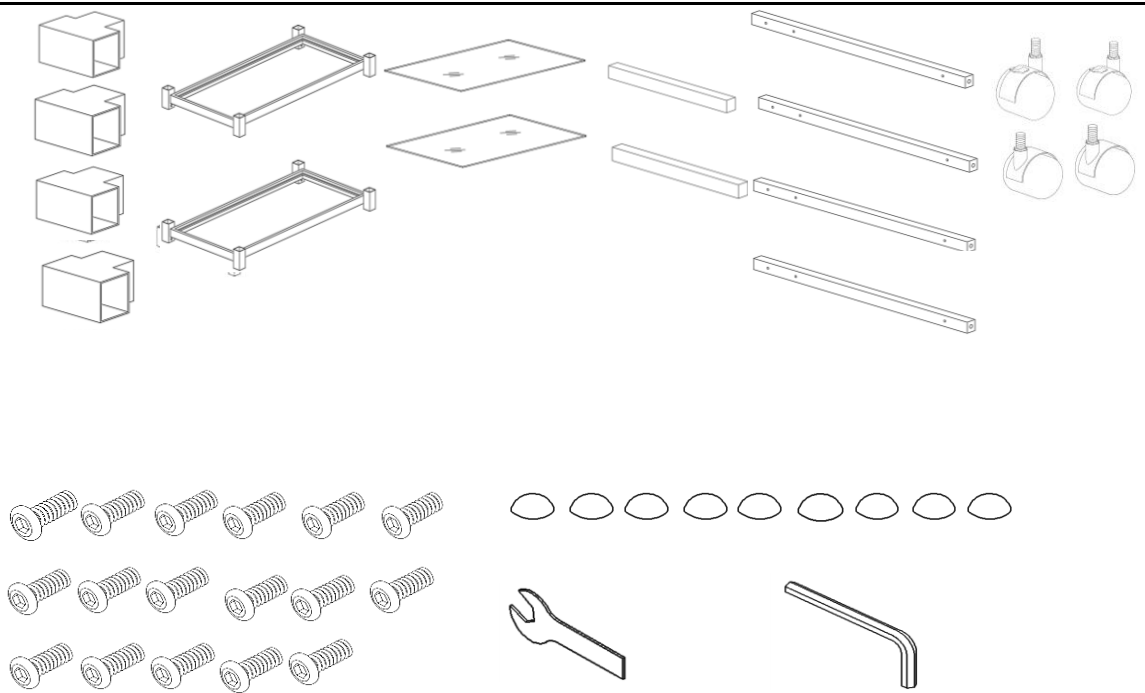
## Hardware

Label	Picture	Description	QTY
①		Bolt (M6*12mm)	17
②		Wrench	1

③		Pad	9
④		Allen Key	1

## Assembly Preparation

**Before Beginning Assembly:**



- Read instructions, cover to cover-



- Have 2 adults on hand for assembly-



- Do not assemble on flooring or carpet-



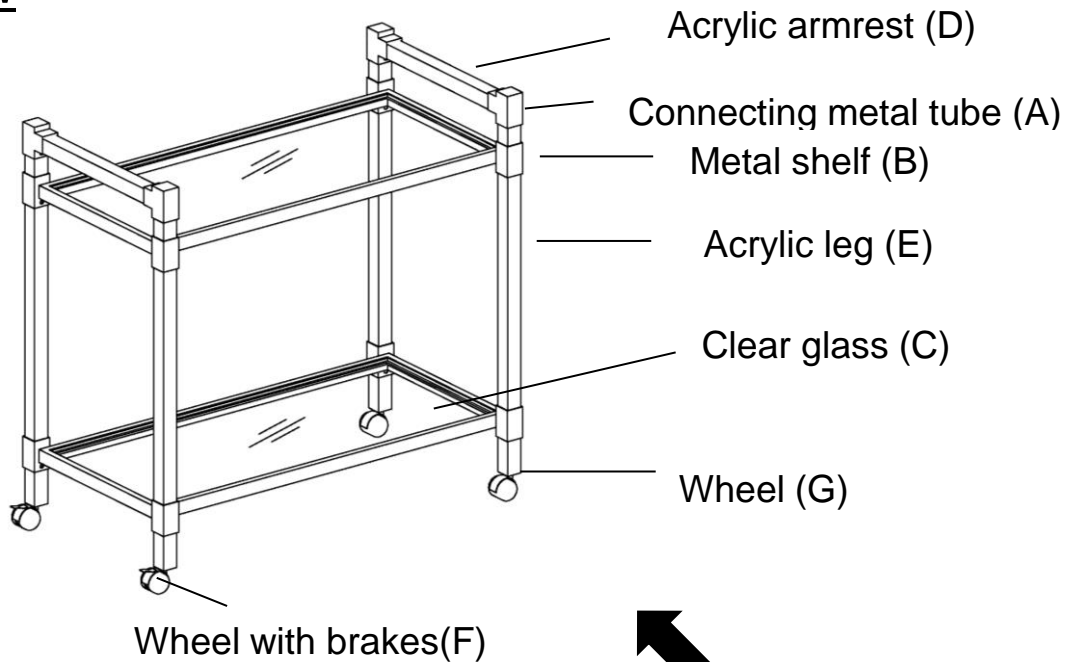
- Assemble on a clean non-marring surface (packing foam)-



- Save all packaging until finished-

## Assembly Steps

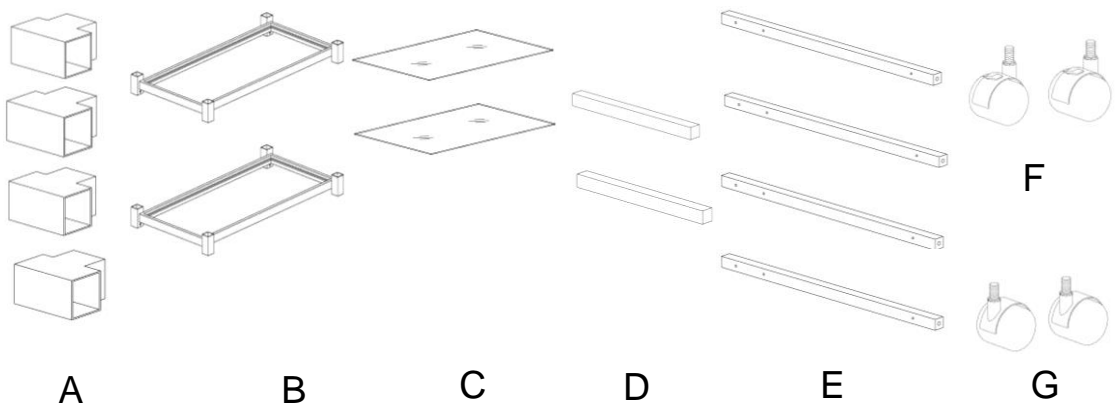
## Overview



FRONT FACING

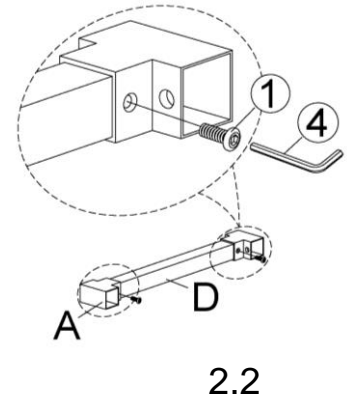
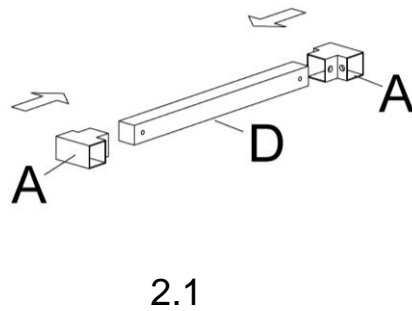
This Bar Cart has multiple parts and may require up to 30 minutes to assemble. To give you an overview of the Bar Cart, the above picture is to help you put the various parts into perspective. Please read through the instructions below to familiarise yourself with the parts and steps before assembly.

## Step 1



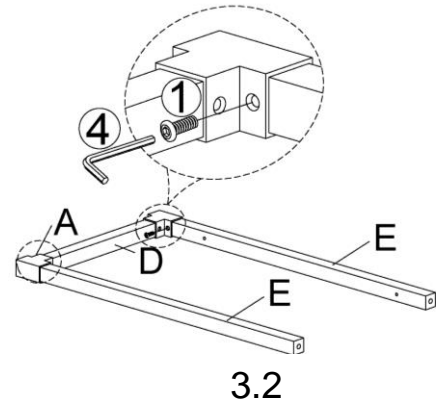
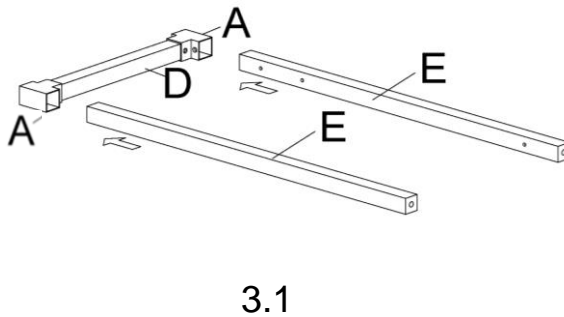
Place the Connecting metal tube(A), Metal shelf (B), Clear glass (C),Acrylic armrest (D),Acrylic leg (E) ,Wheel with brakes(F) and Wheel (G) on a clean, non-marring surface.

## Step 2



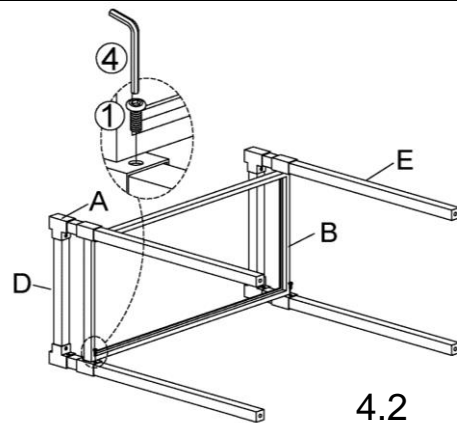
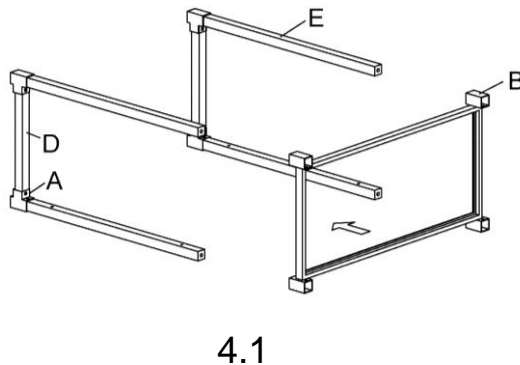
- 2.1)** Insert the Connecting metal tube (A) to Acrylic armrest (D) as shown above.  
**2.2)** Insert the Connecting metal tube (A) to Acrylic armrest (D) using Bolt(①) with Allen Key(④) as shown above.  
**Tighten the Bolts fully in a sequential manner.**

## Step 3



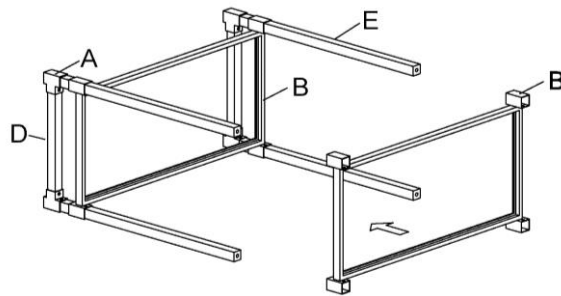
- 3.1)** Insert the Acrylic leg (E) to Connecting metal tube (A) as shown above.  
**3.2)** Insert the Acrylic leg (E) to Connecting metal tube (A) using Bolt(①) with Allen Key(④) as shown above.  
**Tighten the Bolts fully in a sequential manner.**

## Step 4

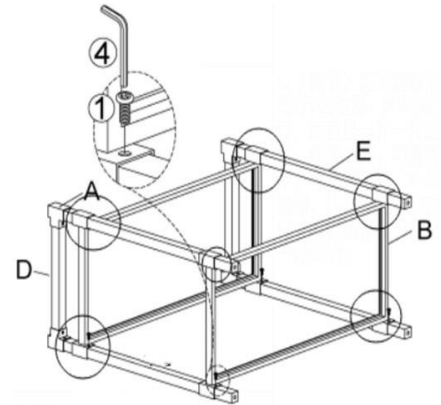


- 4.1)** Insert the Metal shelf (B) to top of Acrylic leg (E) as shown above.
- 4.2)** Insert the Metal shelf (B) to top of Acrylic leg (E) using Bolt(①) with Allen Key(④) as shown above.
- Tighten the Bolts fully in a sequential manner.

## Step 5



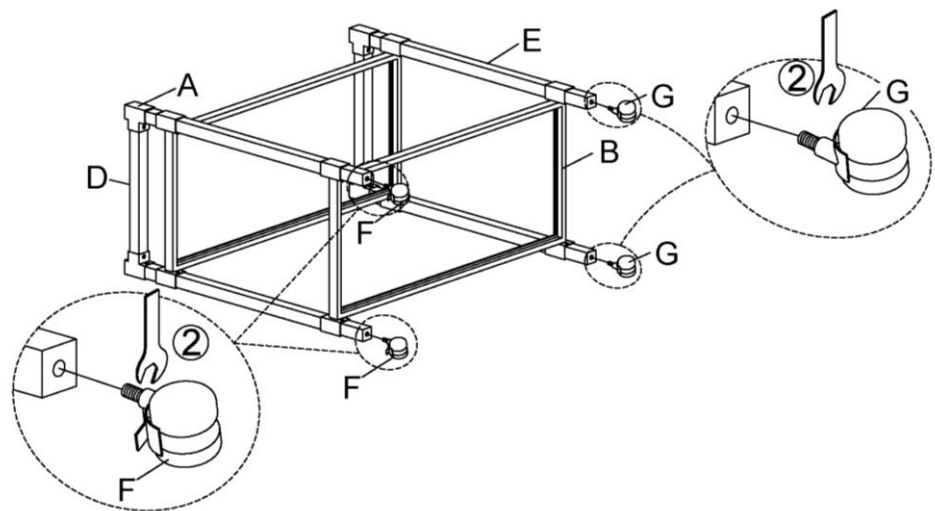
5.1



5.2

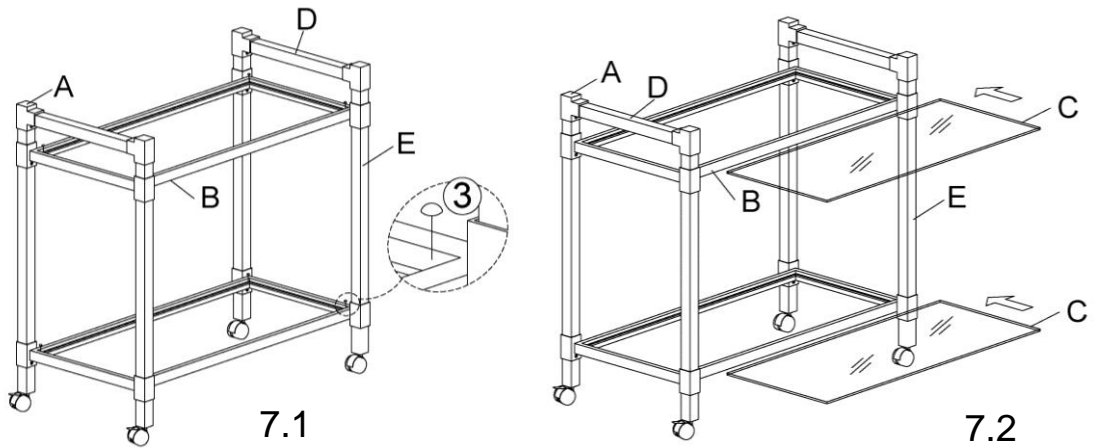
- 5.1)** Move B to align with the pin position of E. Insert the Metal shelf (B) to bottom Acrylic leg (E) and repeat the previous operation as shown above.
- 5.2)** Insert the Metal shelf (B) to bottom Acrylic leg (E) using Bolt(①) with Allen Key(④) as shown above.
- Tighten the Bolts fully in a sequential manner.**

## Step 6



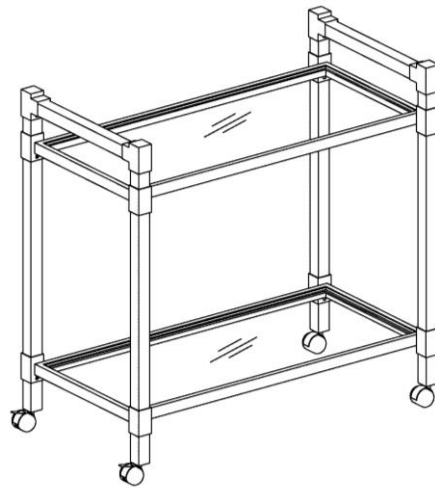
- 6.1)** Attached Wheel with brakes(F) and Wheel (G) using Wrench (②) as shown above.

## Step 7



- 7.1) Put the Pad(③) to the Metal shelf (B) to Acrylic leg (E) as shown above.  
7.2) Put the Clear glass (C) to the Metal shelf (B) as shown above.











## Step 8



Your Bar cart ready for use.

**This Bar cart can only be used on a flat, level surface.**

## Care & Maintenance

-  ● Do not put hot items directly on furniture surface
  -  ● Do not clean furniture with harsh cleansers or polish.
  -  ● Do not place furniture under direct sunlight.
  -  ● Do not place furniture near heating or cooling vents.
  -  ● Do not write on furniture without a padded barrier to protect the surface.
  -  ● Do not place furniture outside . For indoor use only .
  -  ● Not for commercial use. For residential use only .
  -  ● Stains may be removed with mild soap solution and damp cloth.
  -  ● Children should not climb or jump on the furniture.
- 
-  ● Dust and pick-up spills using a clean, non-colored, lint-free cloth .

### Questions & Answers about Proposition 65

#### • What is Proposition 65?

Proposition 65 requires businesses to provide warnings to Californians about significant exposures to chemicals that cause cancer, birth defects or other reproductive harm. These chemicals can be in the products that Californians purchase, in their homes or workplaces, or that are released into the environment. By requiring that this information be provided, Proposition 65 enables Californians to make informed decisions about their exposures to these chemicals. Proposition 65 also prohibits California businesses from knowingly discharging significant amounts of listed chemicals into sources of drinking water.

Proposition 65 requires California to publish a list of chemicals known to cause cancer, birth defects or other reproductive harm. This list, which must be updated at least once a year, has grown to include approximately 900 chemicals since it was first published in 1987.

#### • What types of chemicals are on the Proposition 65 list?

The list contains a wide range of naturally occurring and synthetic chemicals that include additives or ingredients in pesticides, common household products, food, drugs, dyes, or solvents. Listed chemicals may also be used in manufacturing and construction, or they may be byproducts of chemical processes, such as motor vehicle exhaust.

#### • What does a warning mean?

If a warning is placed on a product label or posted or distributed at a workplace, a business, or in rental housing, the business issuing the warning is aware or believes that it is exposing individuals to one or more listed chemicals. significant risk of cancer or is significantly below levels observed to cause birth defects or other reproductive harm.

#### • Where can I get more information on Proposition 65?

If you have specific questions on the administration or implementation of Proposition 65, you can contact OEHHA's Proposition 65 program at [P65.Questions@oehha.ca.gov](mailto:P65.Questions@oehha.ca.gov), or by phone at (916) 445-6900.