

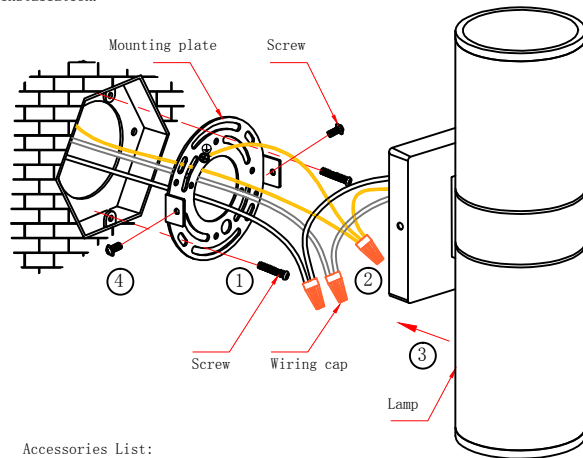
Installation Manual for Wall lamp

(Warning: Cut off the power before installation to prevent electric shock)

SPECIFICATIONS

Lamp tube material	aluminum
Shade material	glass
size	35.43*11.81*4.72inch
weight	2.12lb
Voltage	AC100-277V
Watts	12W (6W*2)
Bulb type	LED
long life	>50000h

- 1 Taking out the Mounting plate and Screw from the accessories package, Then fix the Mounting plate on the mounting hole with screw.
- 2 Distinguish the file line, zero line and ground line with Wiring cap and connecting well
- 3 Fixing the mounting hole with mounting plate, tighten the screw ,complete the installation.



Accessories List:

Screw	Wire connector	Instruction
2PCS	3PCS	1 PCS

Installation Manual for Wall lamp

(Warning: Cut off the power before installation to prevent electric shock)

SPECIFICATIONS

Lamp tube material	aluminum
Shade material	glass
size	35.43*11.81*4.72inch
weight	2.12lb
Voltage	AC100-277V
Watts	12W (6W*2)
Bulb type	LED
long life	>50000h

- 1 Taking out the Mounting plate and Screw from the accessories package, Then fix the Mounting plate on the mounting hole with screw.
- 2 Distinguish the file line, zero line and ground line with Wiring cap and connecting well
- 3 Fixing the mounting hole with mounting plate, tighten the screw ,complete the installation.

It is Equipped With a Dawn to Dusk Sensor, Which Automatically Turns on at Night and Turns Off at Dawn. Needs to be Directed Towards the Direction of Open Space With Sunlight, and Cannot be Installed in the Place Where the Object is Always in Darkness or Cove.



Accessories List:

Screw	Wire connector	Instruction
2PCS	3PCS	1 PCS