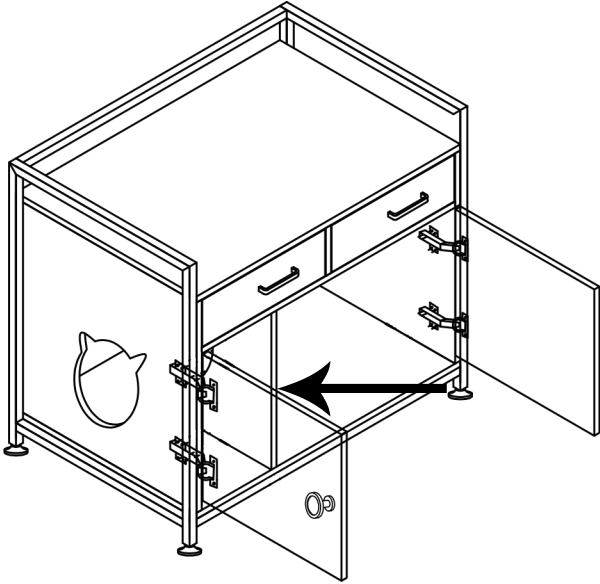
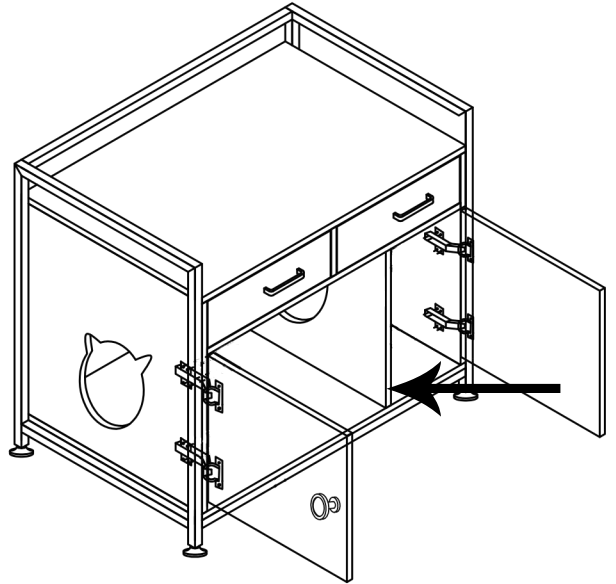


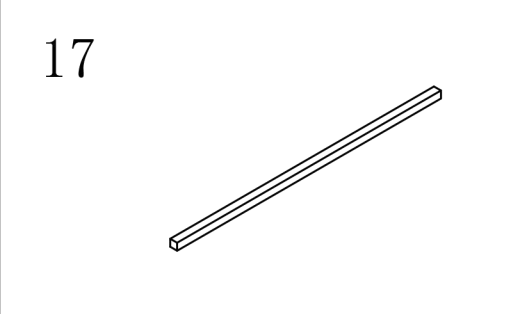
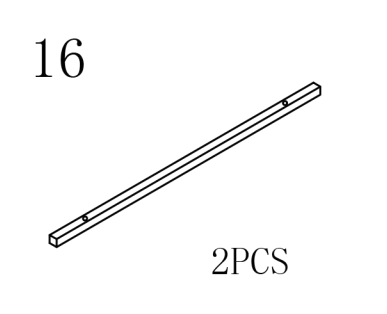
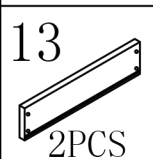
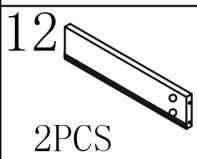
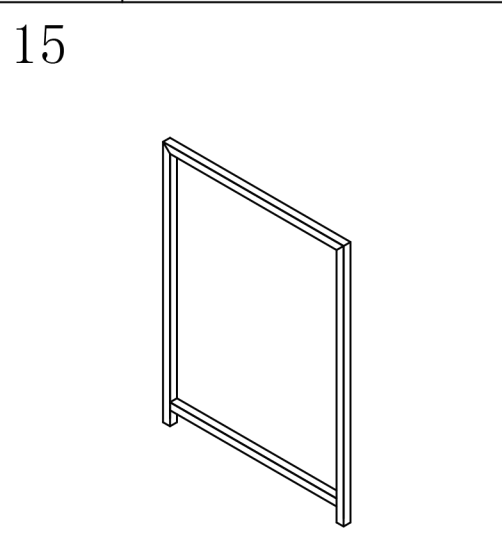
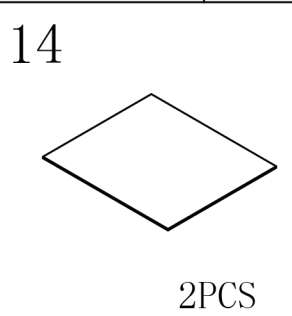
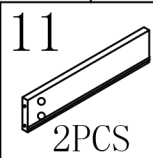
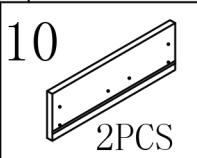
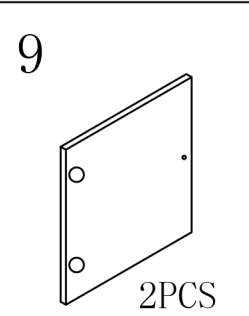
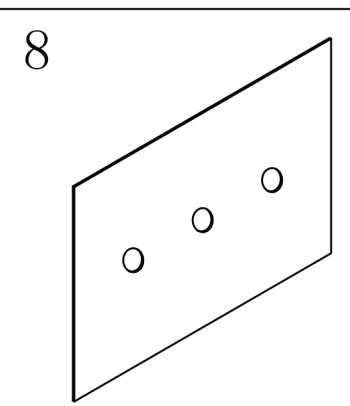
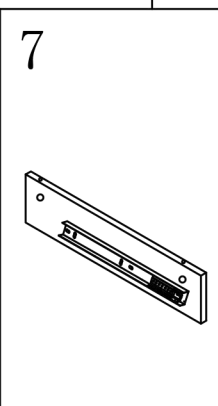
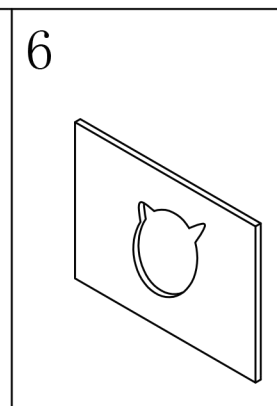
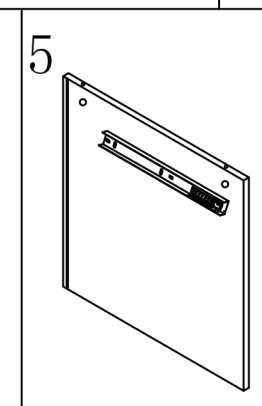
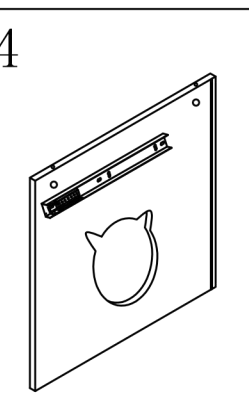
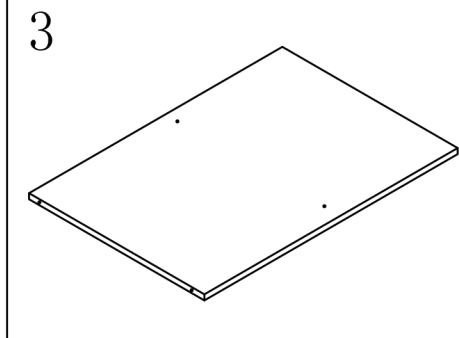
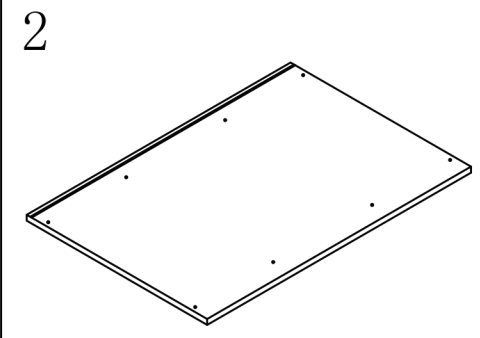
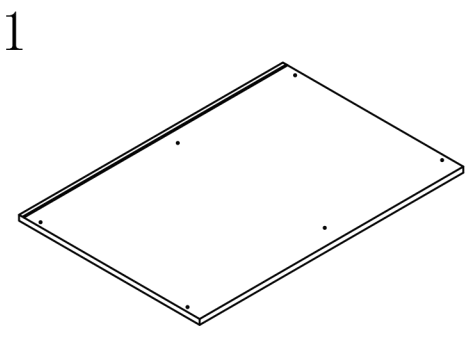
# ASSEMBLY INSTRUCTION













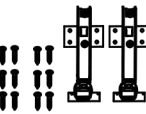


**A: Part 6 Divider on the left**



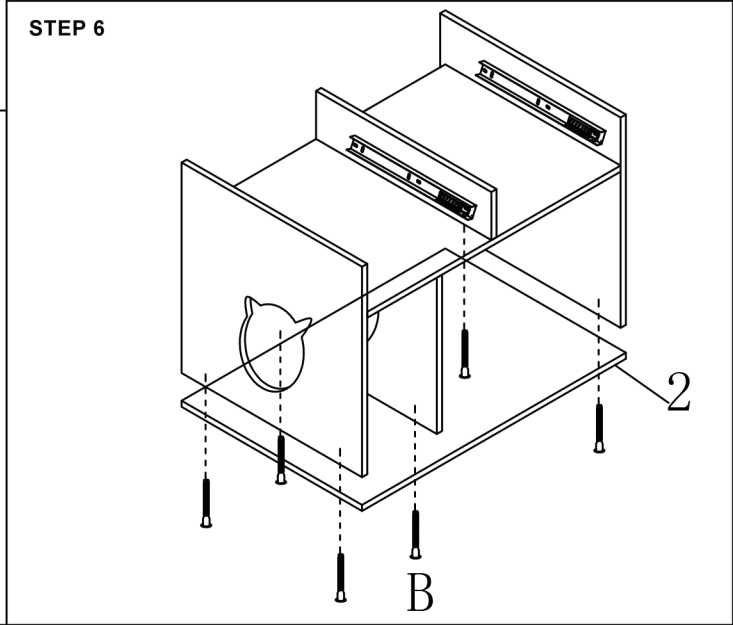
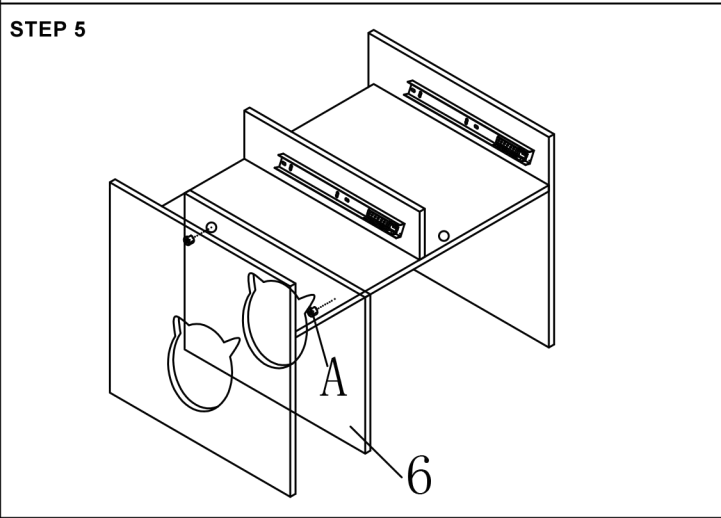
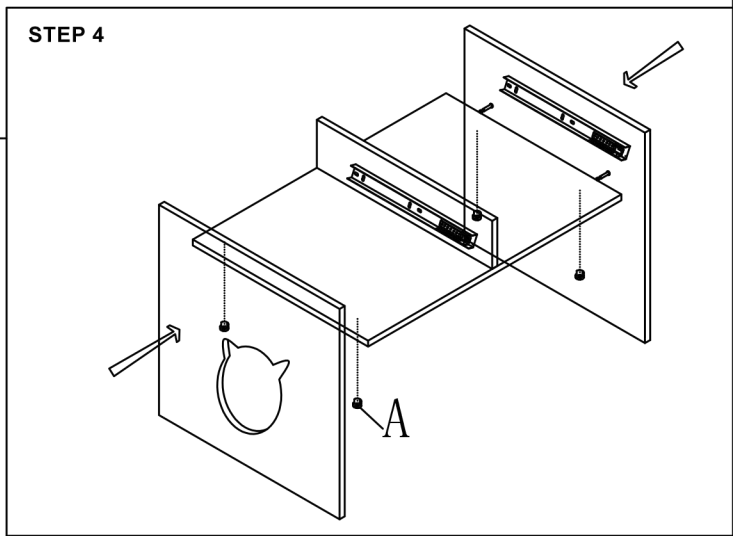
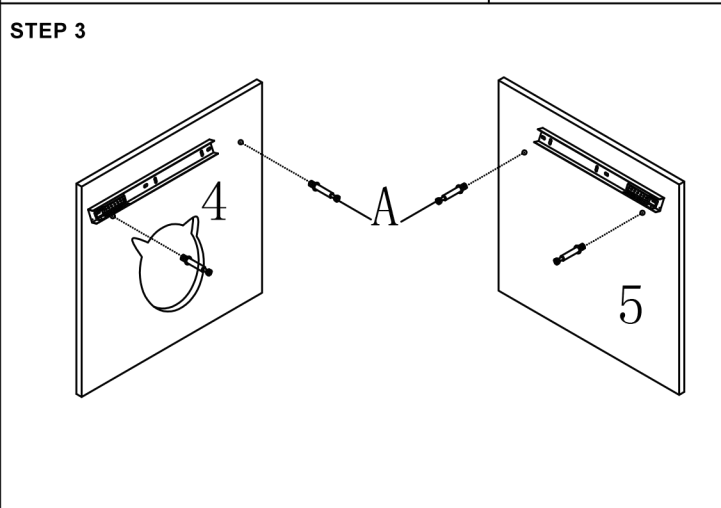
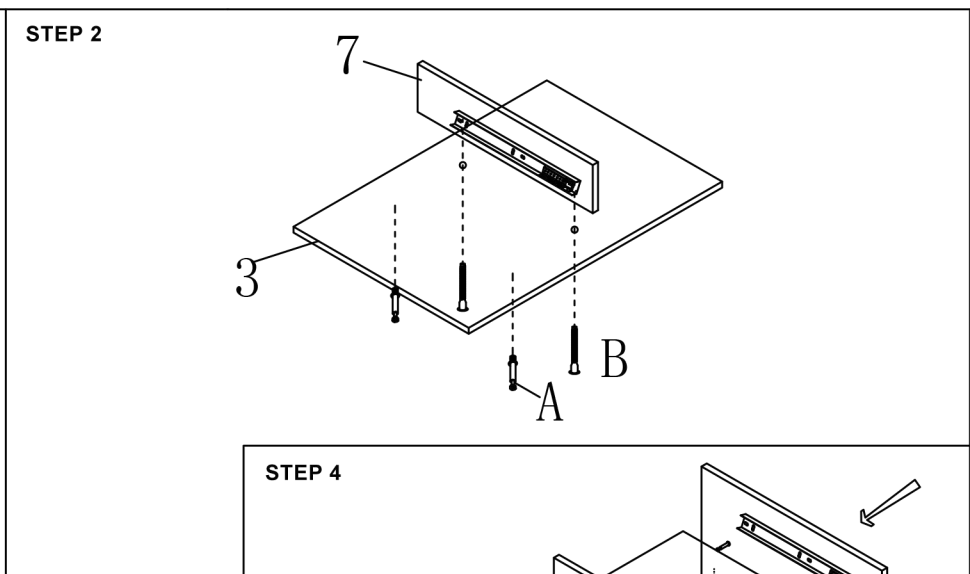
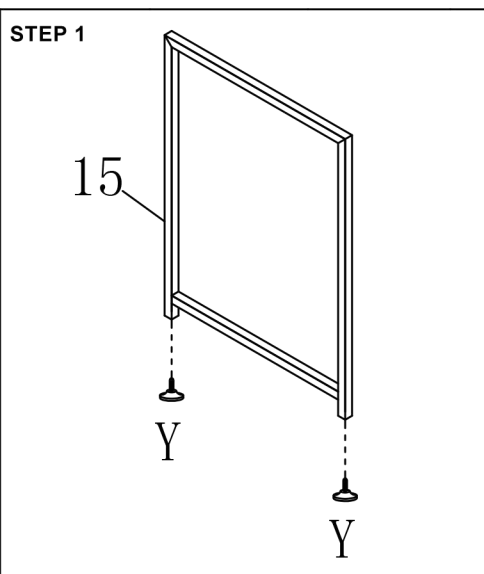
**B: Part 6 Divider on the right**



2PCS

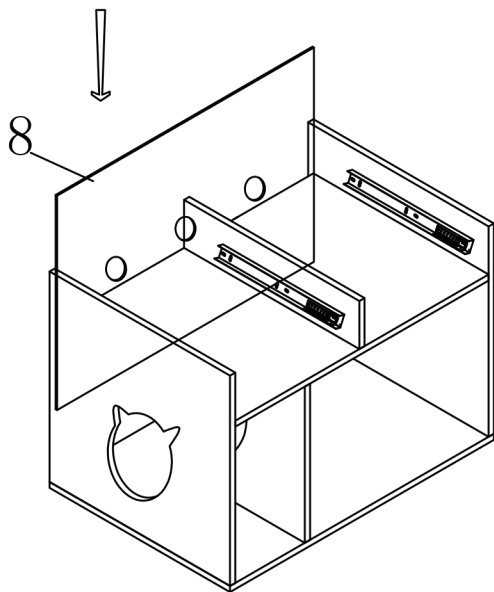
<p>A</p>  <p>20PCS</p>	<p>B</p>  <p>M7X50 16PCS</p>	<p>F</p>  <p>M6X30 6PCS</p>	<p>G</p>  <p>M6X35 6PCS</p>	<p>S</p>  <p>M4X20 2PCS</p>	<p>Q</p>  <p>M3.5X14 2PCS</p>	<p>Y</p>  <p>4PCS</p>
<p>X</p>  <p>1PCS</p>	<p>W</p>  <p>2PCS</p>	<p>K</p>  <p>2PCS</p>	<p>Z</p>  <p>2SET</p>	<p>U</p>  <p>M4X18 4PCS</p> 		

# A Assembly Method

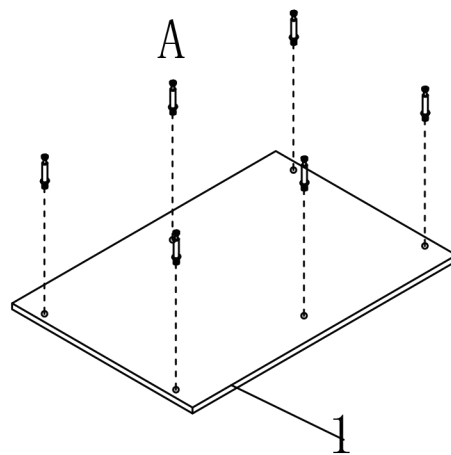


# A Assembly Method

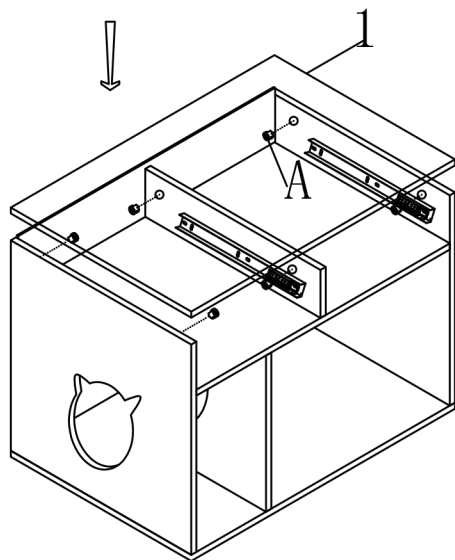
STEP 7



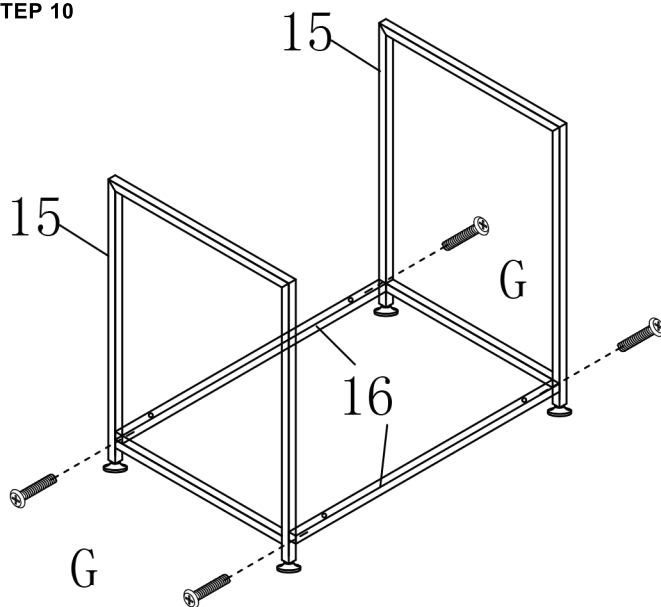
STEP 8



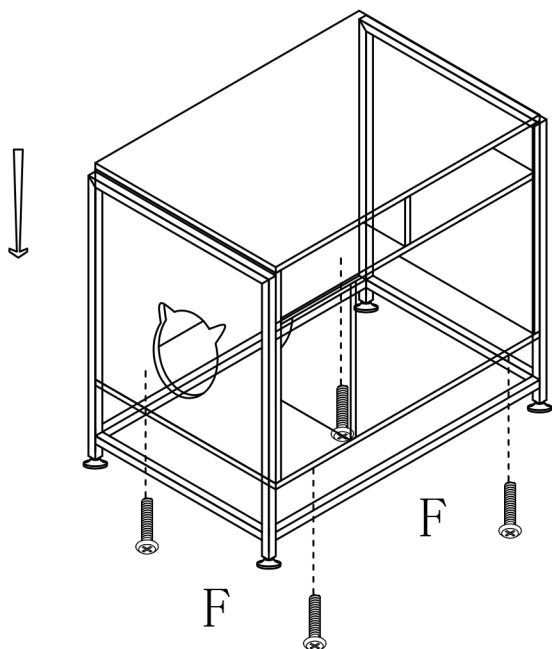
STEP 9



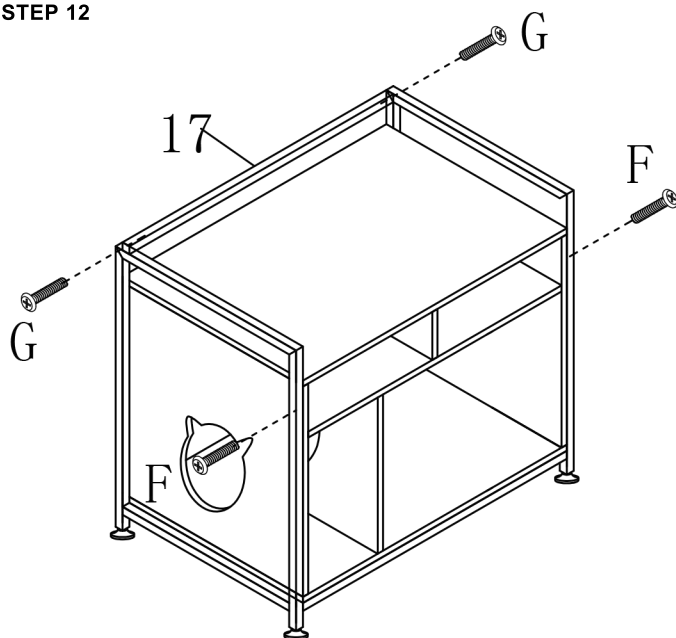
STEP 10



STEP 11

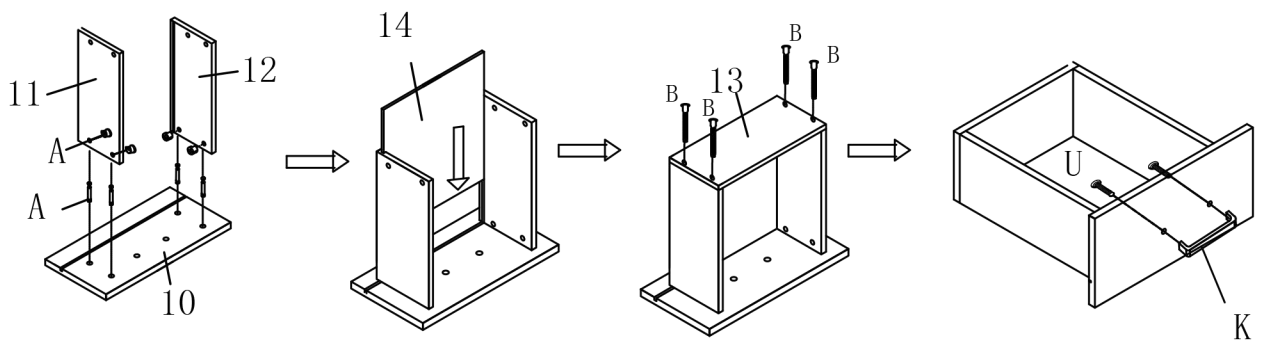


STEP 12

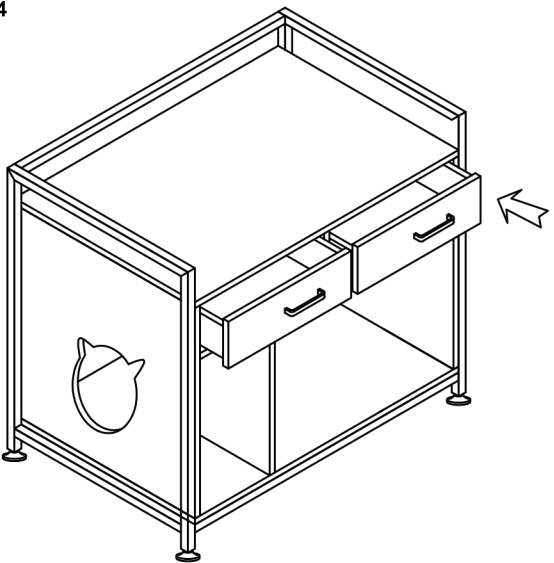


# A Assembly Method

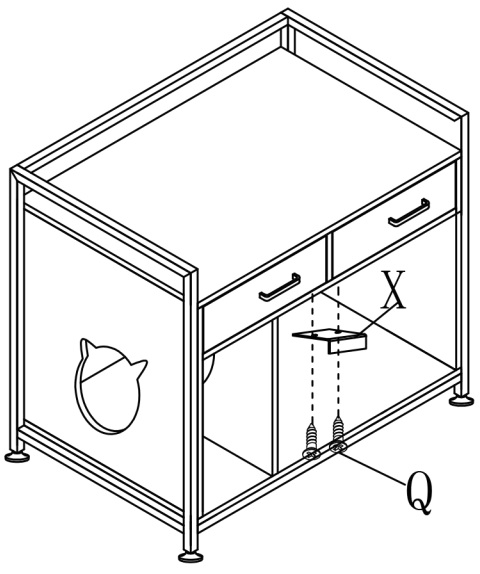
STEP 13



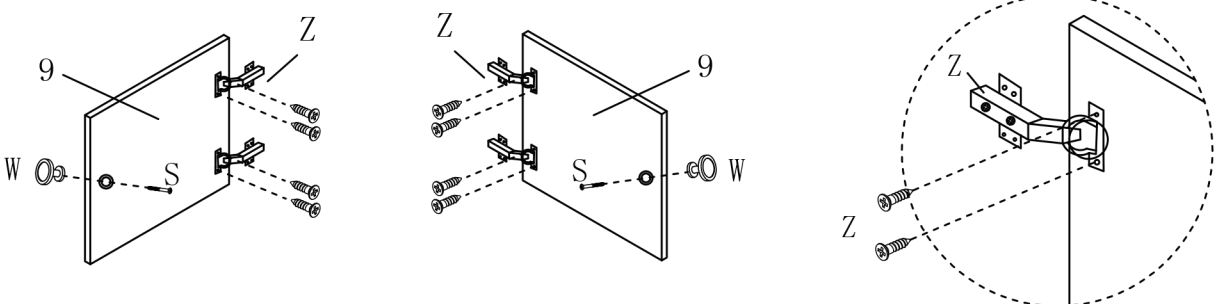
STEP 14



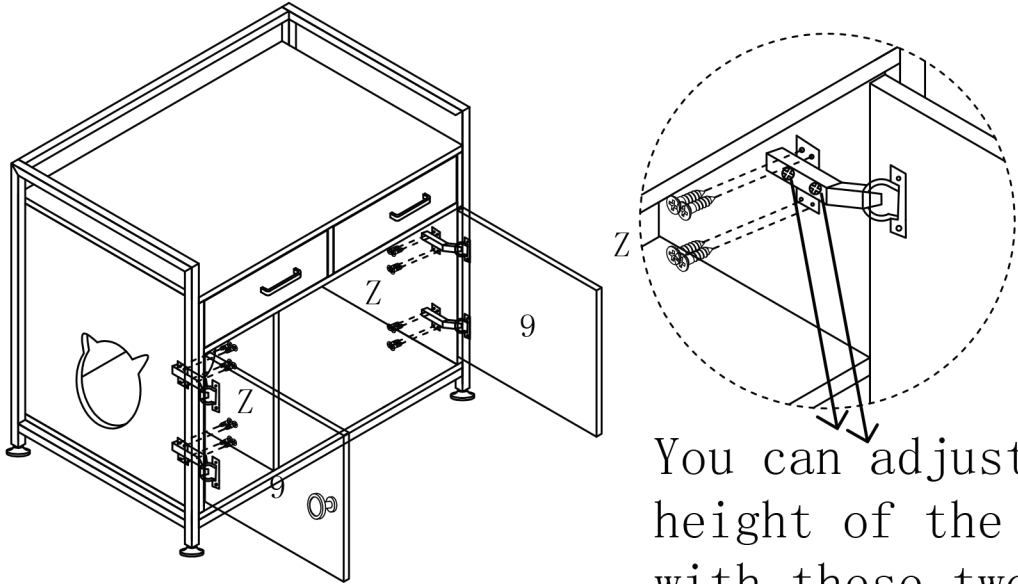
STEP 15



STEP 16



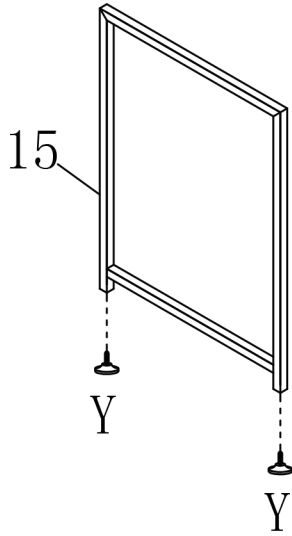
STEP 17



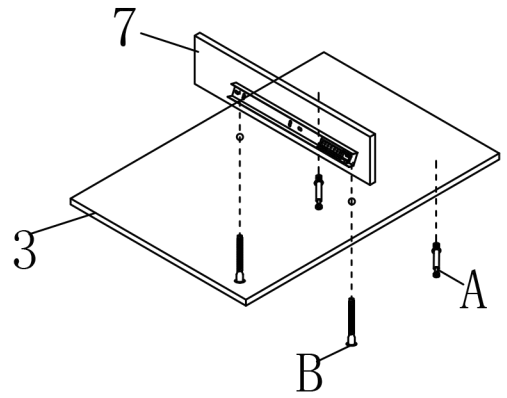
You can adjust the height of the door with these two screws

# B Assembly Method

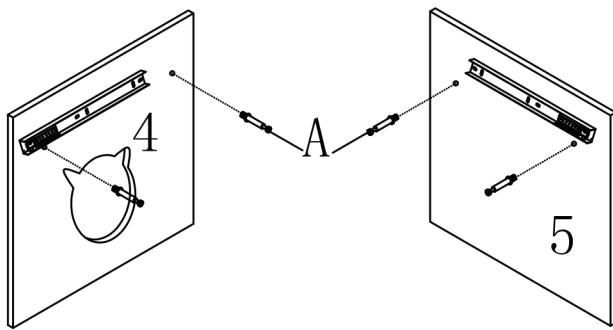
STEP 1



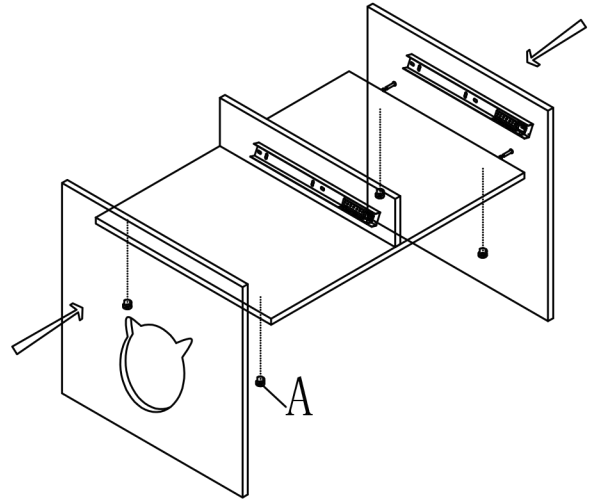
STEP 2



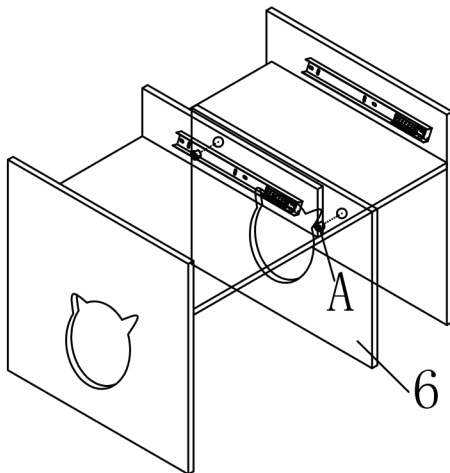
STEP 3



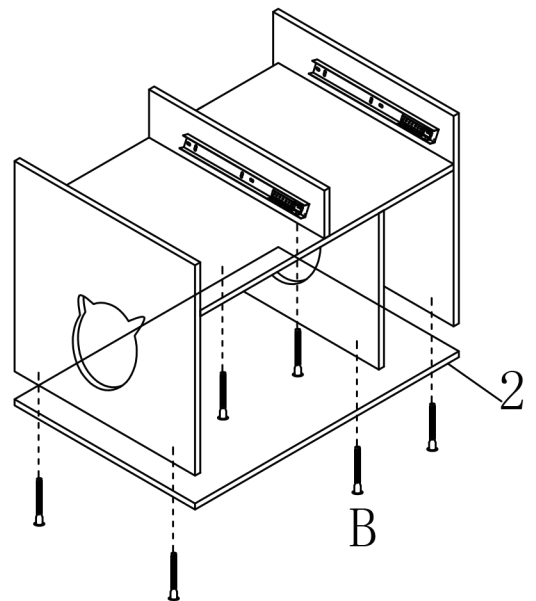
STEP 4



STEP 5

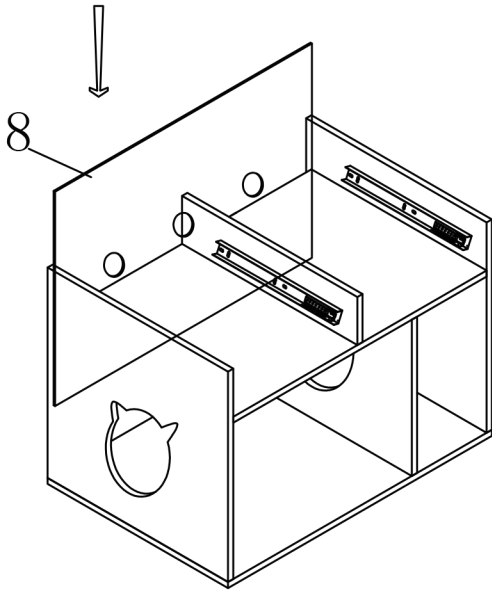


STEP 6

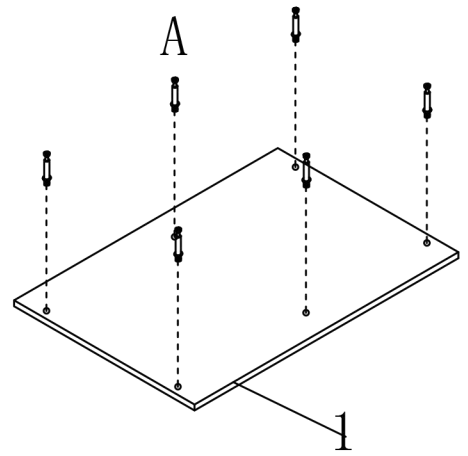


# B Assembly Method

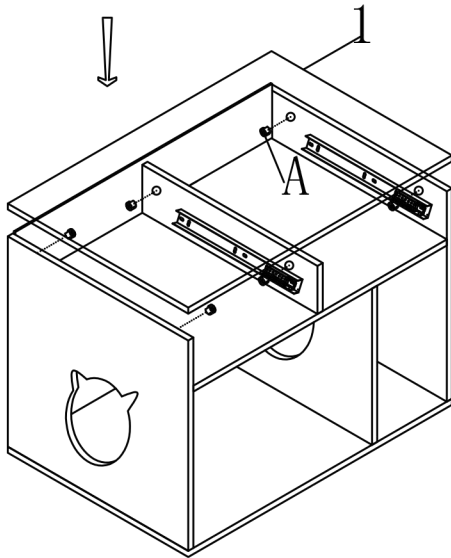
STEP 7



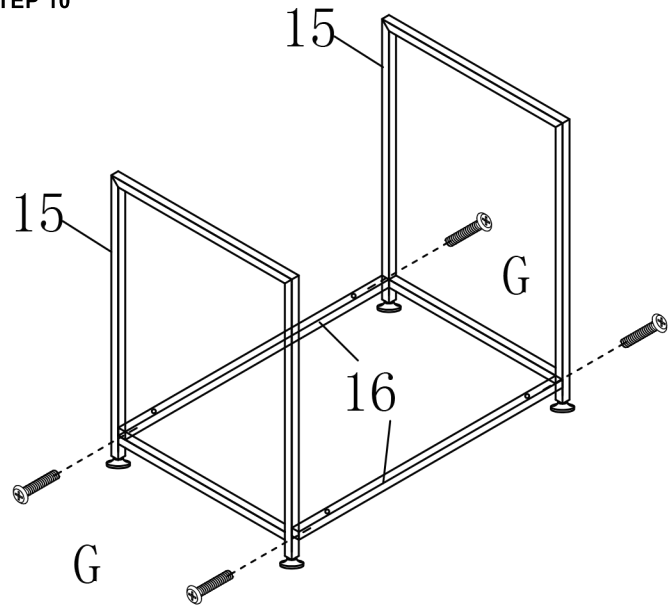
STEP 8



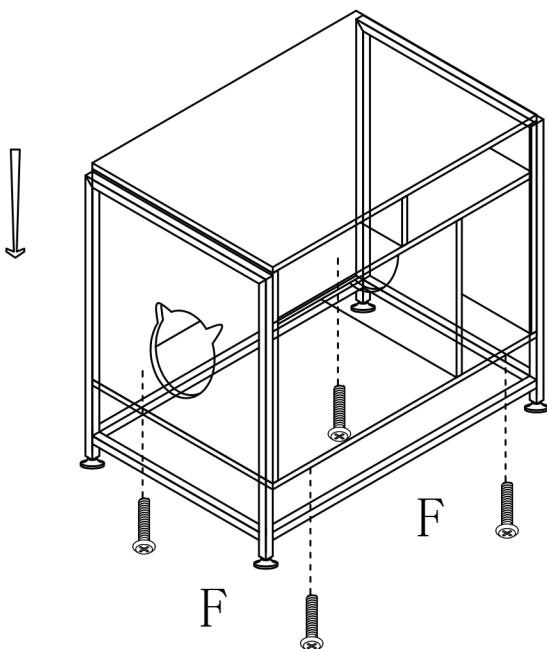
STEP 9



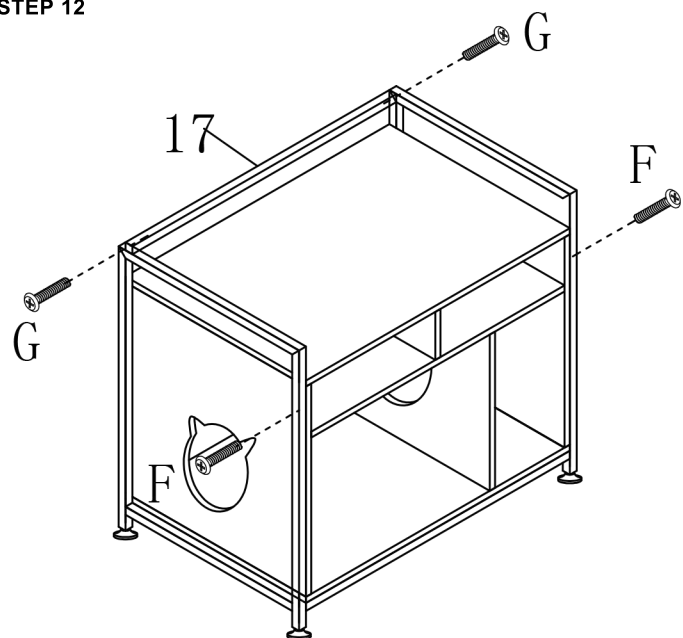
STEP 10



STEP 11

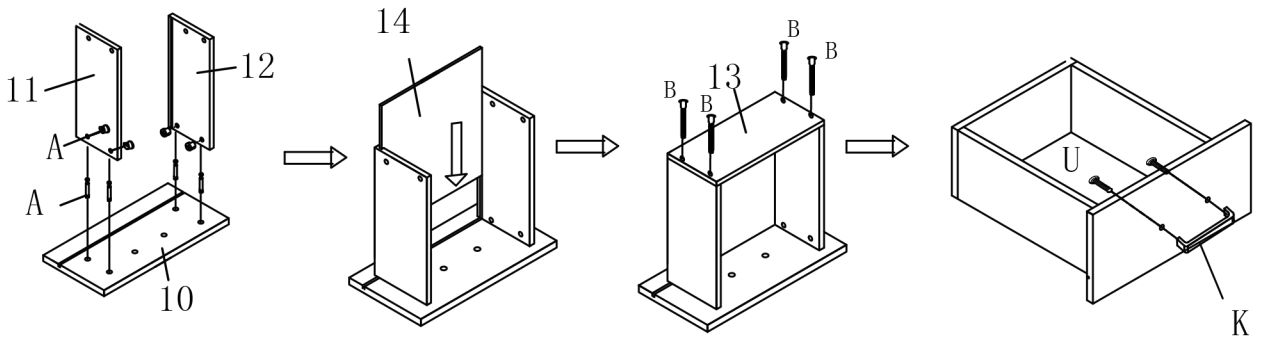


STEP 12

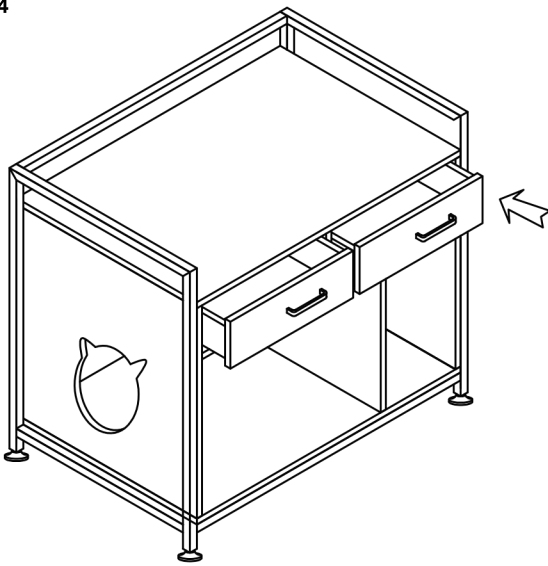


# B Assembly Method

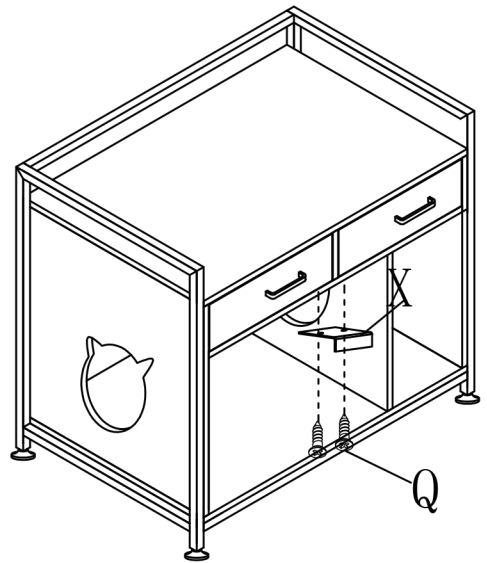
STEP 13



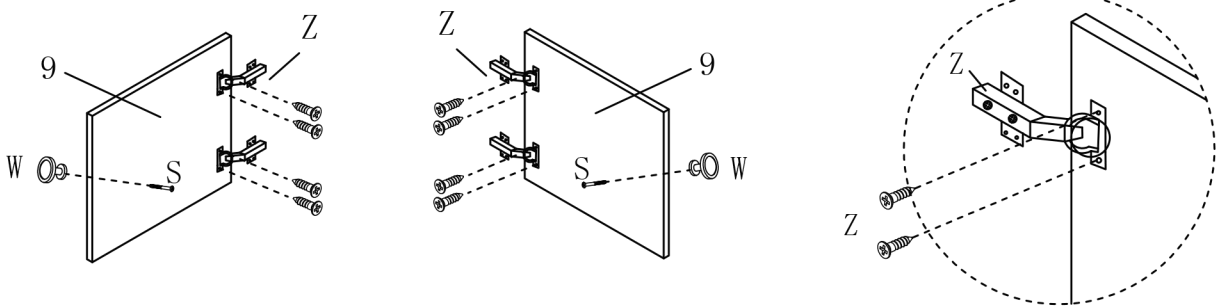
STEP 14



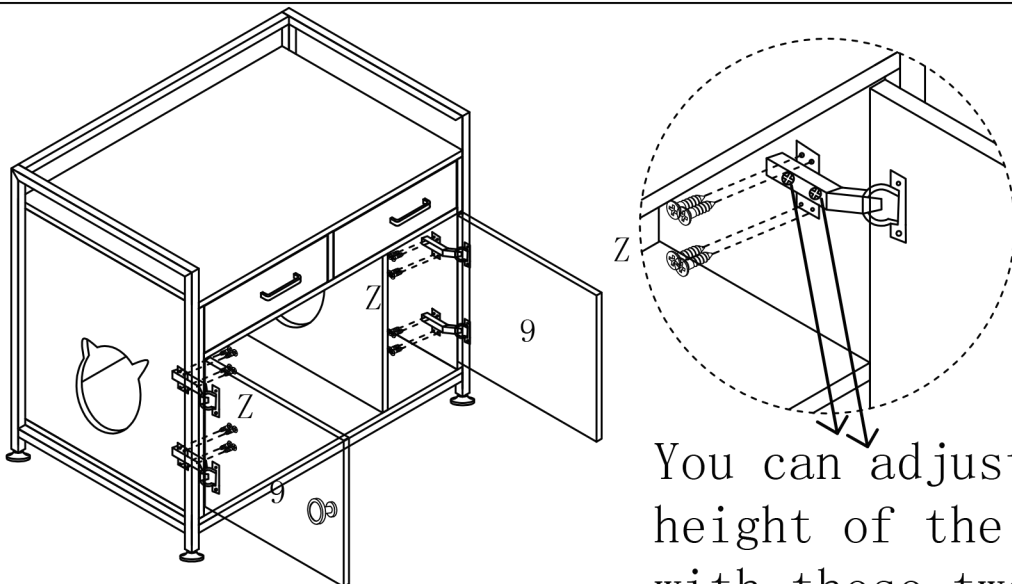
STEP 15



STEP 16



STEP 17



You can adjust the height of the door with these two screws