

Assembly Instruction

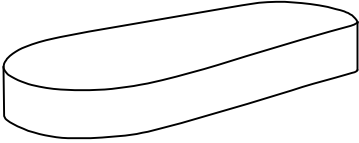
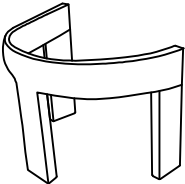




Bench



The legs are buckled on the seat, and the hardware set is located inside the carton for assembly.

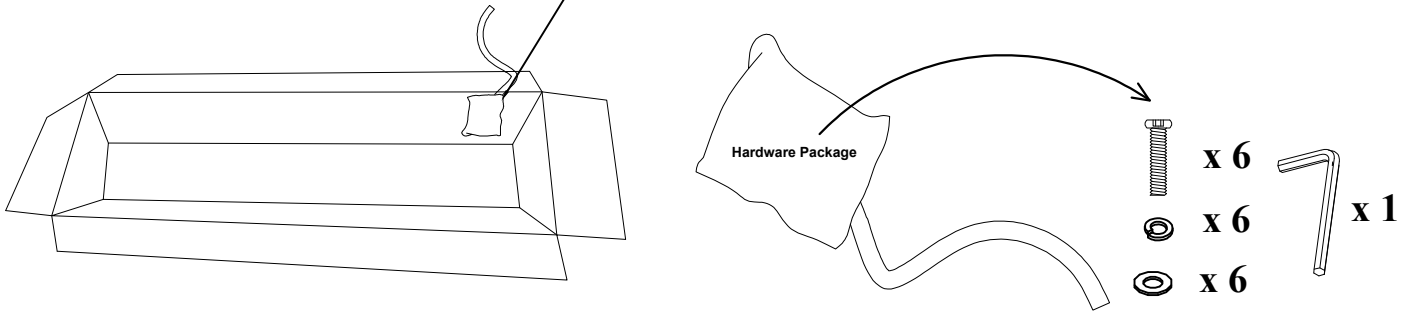
Note: Do not use power tools for assembly. Power tools increase the risk of over tightening which lead to splitting or cracking the wood. Do not tighten bolts until completely assembled.

Component list

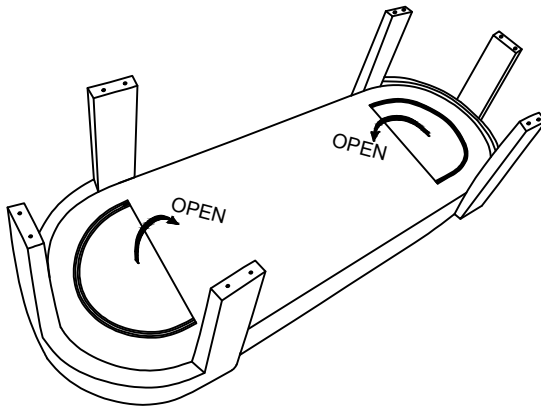
No	Drawing	Qty	Description
A		1	Seat
B		2	Legs 10.25"*20.5"*15.75"
C		6	Bolts 5/16"*50mm
D		6	Flat Washers Ø22*Ø8*1.5mm
E		6	Lock Washers 5/16"*13*1.5mm
F		1	Allen Wrench M4*70*30mm

Step #1

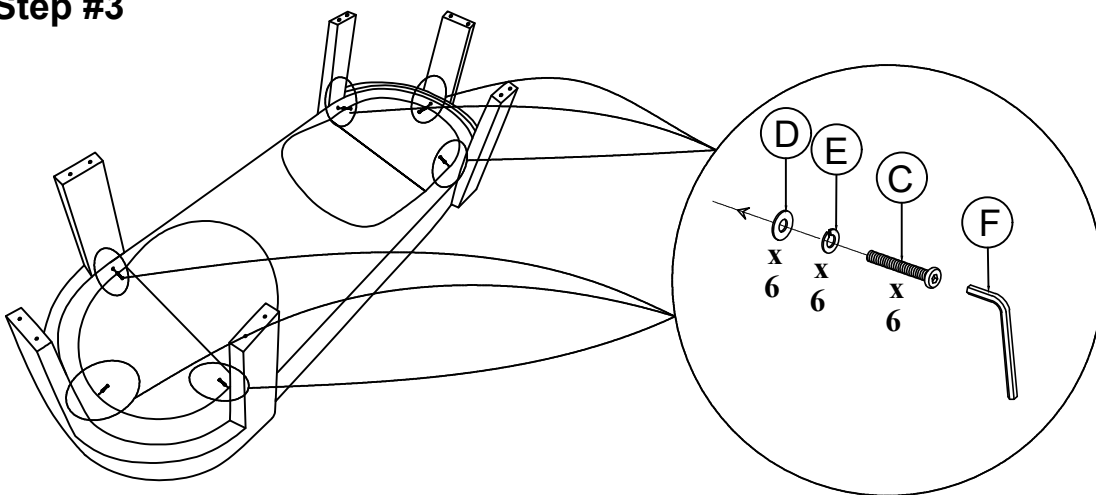
Hardware package on the inner wall of the carton.



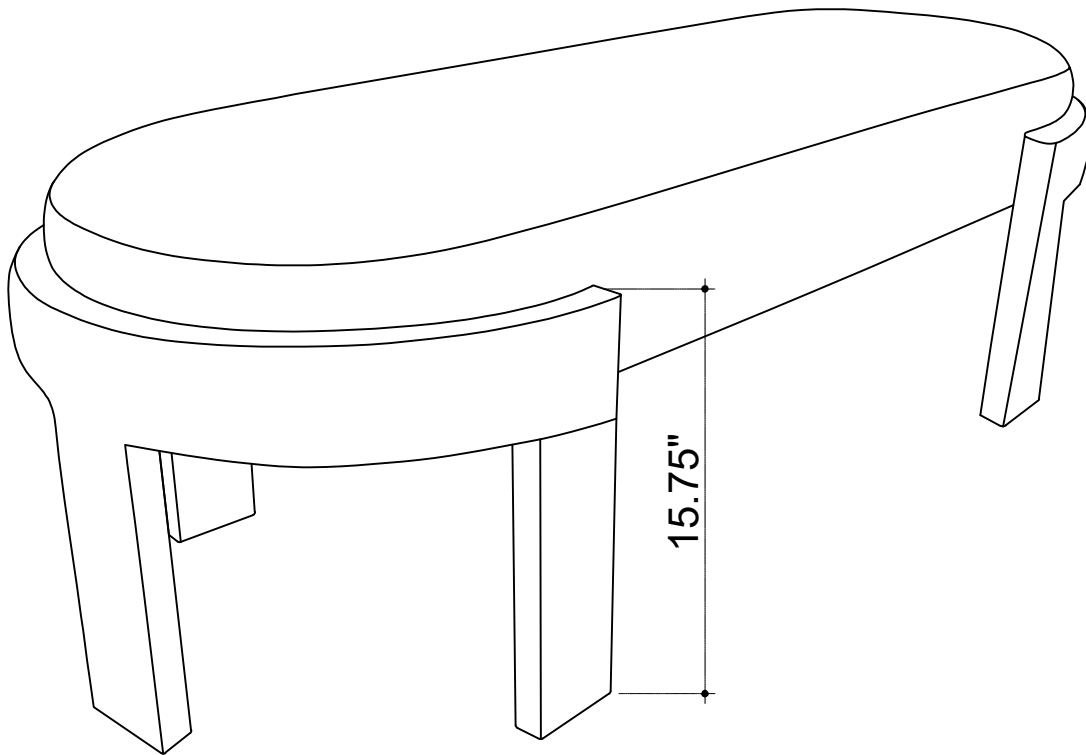
Step #2



Step #3



Step #4



Care Instruction for Velvet Furniture:

In order to maintain the original appearance of your velvet Furniture, please follow below simple care procedures:

- Avoid exposing furniture directly to sunlight or heating and air conditioning outlets. Sunlight and or exposure to heating and air conditioning outlets will fade/damage velvet.
- Vacuum or wipe with a soft cloth to remove dust.
- Hardware may loosen over time. Periodically check to make sure all connection are tight, Re-tighten if necessary



For items use on wooden floor, hard surfaces or carpets, it is recommended to Install protective pads under all legs and supports to avoid/prevent from damages/scratches and discoloration.