

Bed Frame with Storage Headboard & Charging Station Assembly Instructions

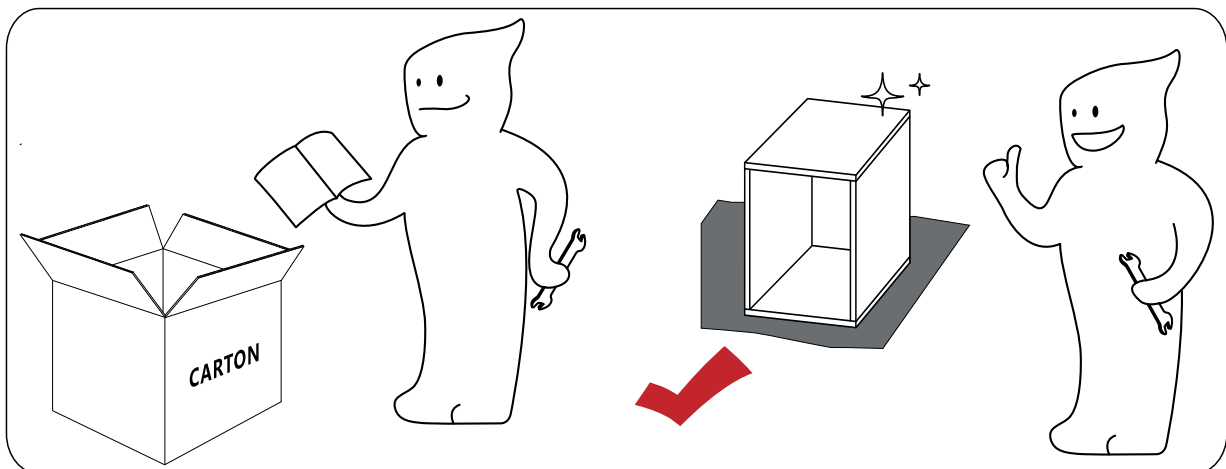
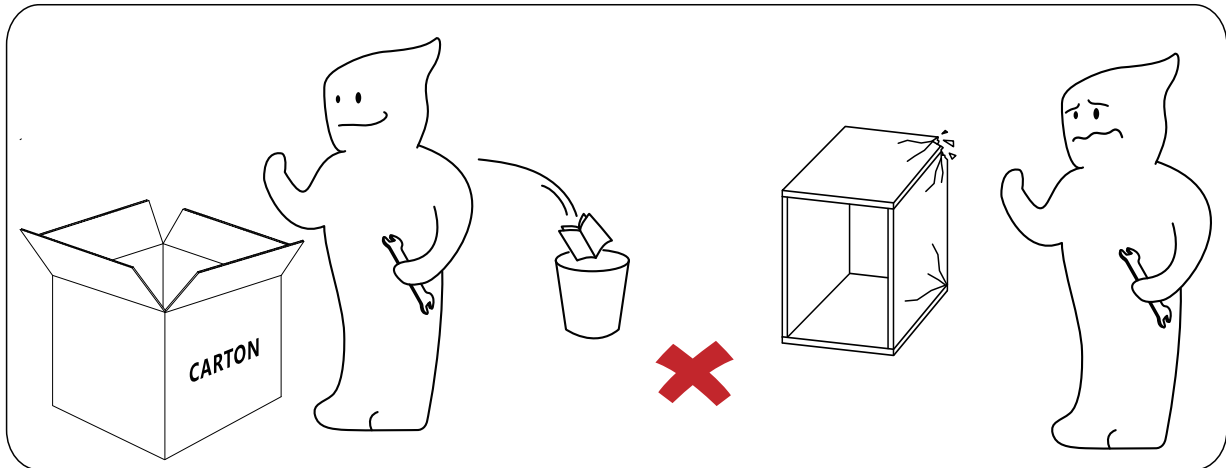


Dear Customers,

Thank you for purchasing our product. Please read this instruction manual carefully after receiving this product. It will help you assemble this product quickly, safely and correctly. You can keep this manual for future reference.

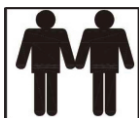
! IMPORTANT

Please follow the instruction manuals and use a pad to protect the product during your assembly.



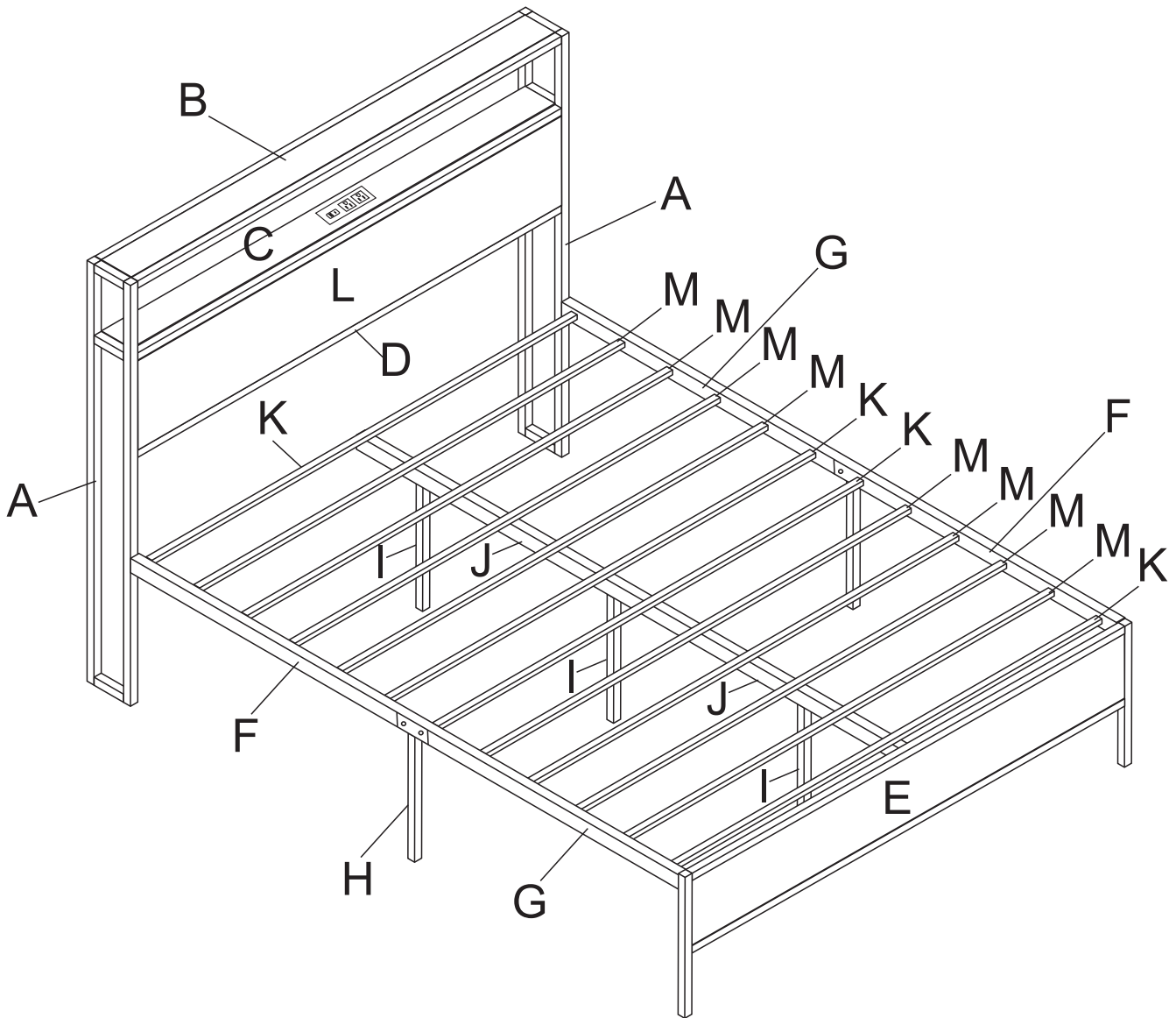
Note:

1. Should be assembled on flat ground to keep balance.
2. Before completing the installation, do not tighten the screws.



For easier and better assembly, **2** or more adults are required.

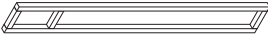
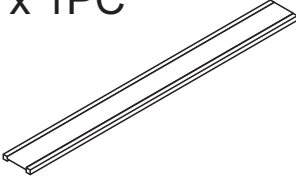
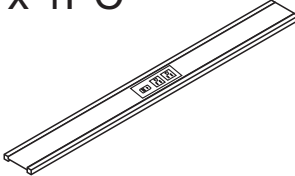
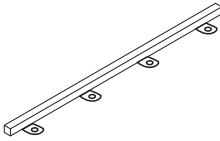
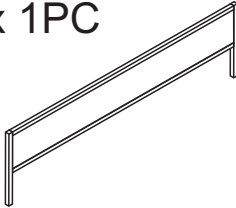
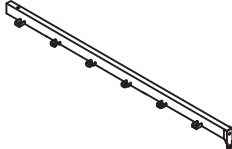
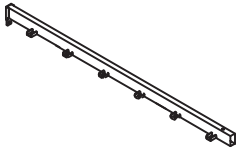
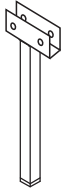
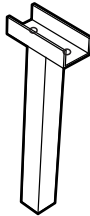
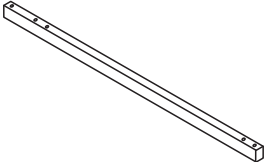
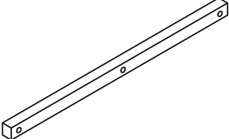

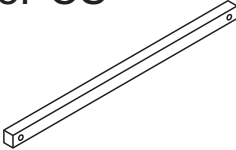




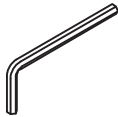
ASSEMBLY INSTRUCTIONS



Notice: Do not tighten the screws too tightly at the beginning of the assembly. After each hole position is matched well, with gently force to screw, if there is no problem, then tighten all the screws.

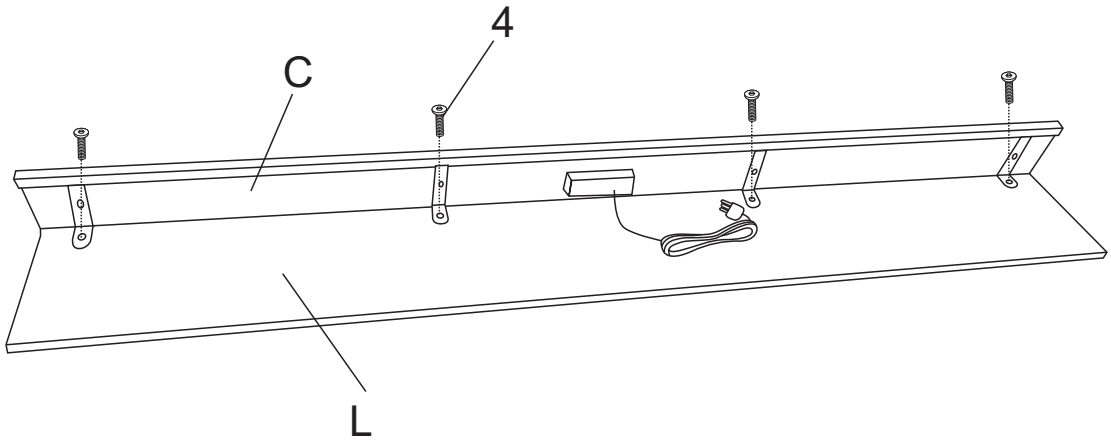
ASSEMBLY INSTRUCTIONS


PARTSLIST

A x 2PCS 		B x 1PC 		C x 1PC 	
D x 1PC 		E x 1PC 		F x 2PCS 	
G x 2PCS 		H x 2PCS 		I x 3PCS 	
J x 2PCS 		K x 4PCS 		L x 1PC 	
M x 8PCS 					
1 x 22PCS  M8x40mm	2 x 6PCS  M6x35mm	3 x 28PCS  M6x25mm	4 x 8PCS  M6x13mm	5 x 1PC 	

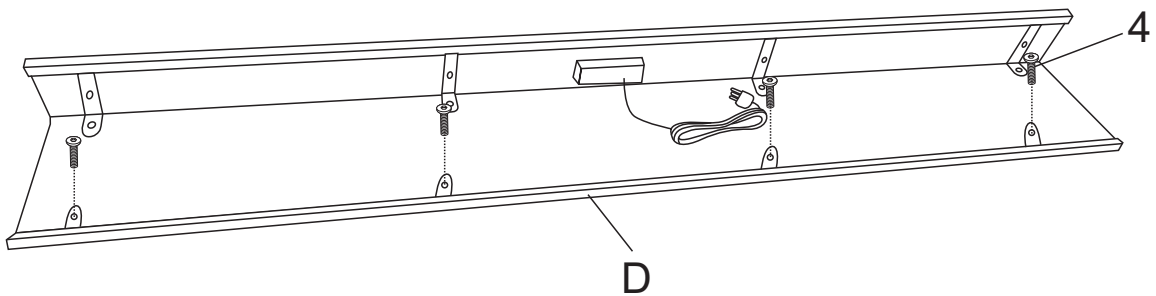
ASSEMBLY INSTRUCTIONS


1



4	 M6x13mm	4PCS
---	--	------

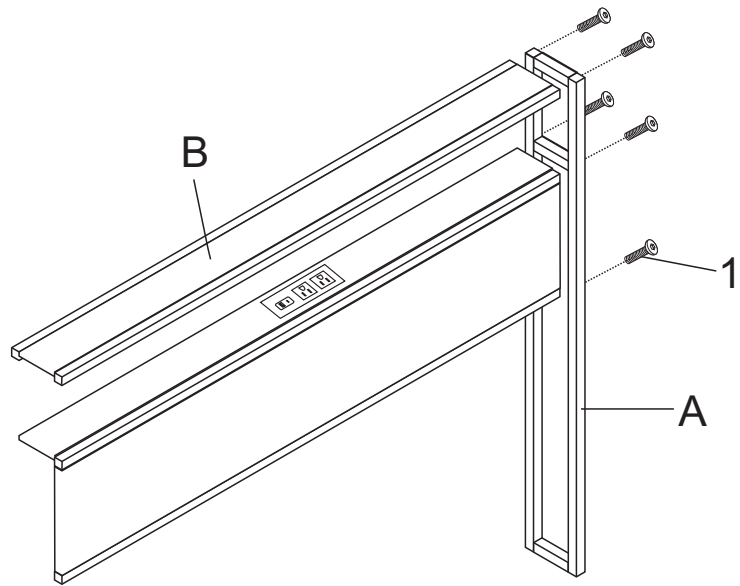
2




4	 M6x13mm	4PCS
---	--	------

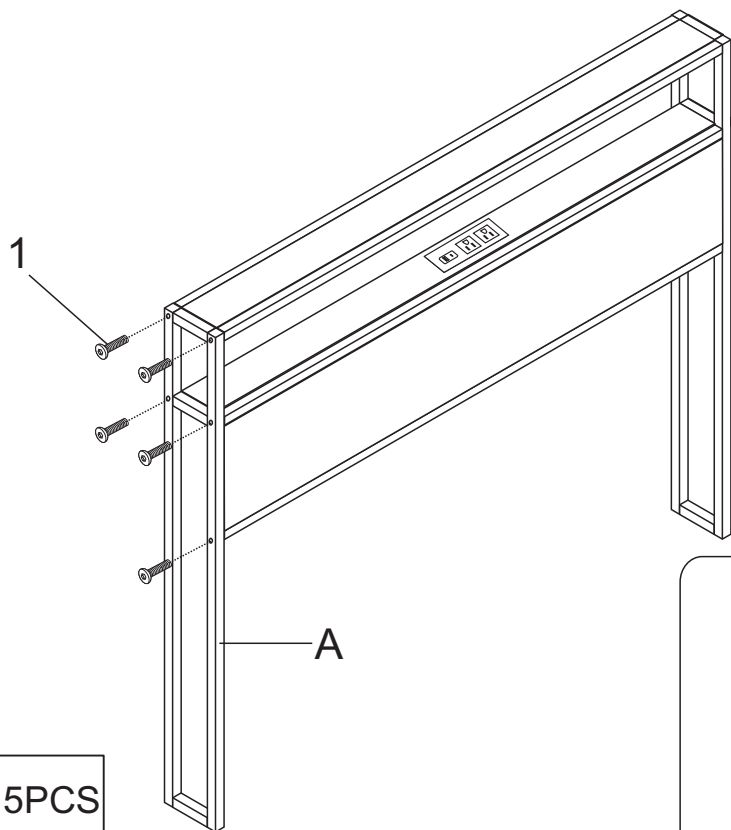
ASSEMBLY INSTRUCTIONS


3

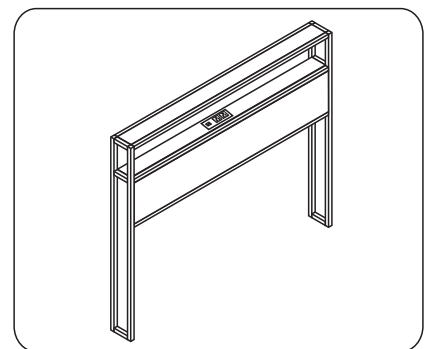


1	 M8x40mm	5PCS
---	---	------

4

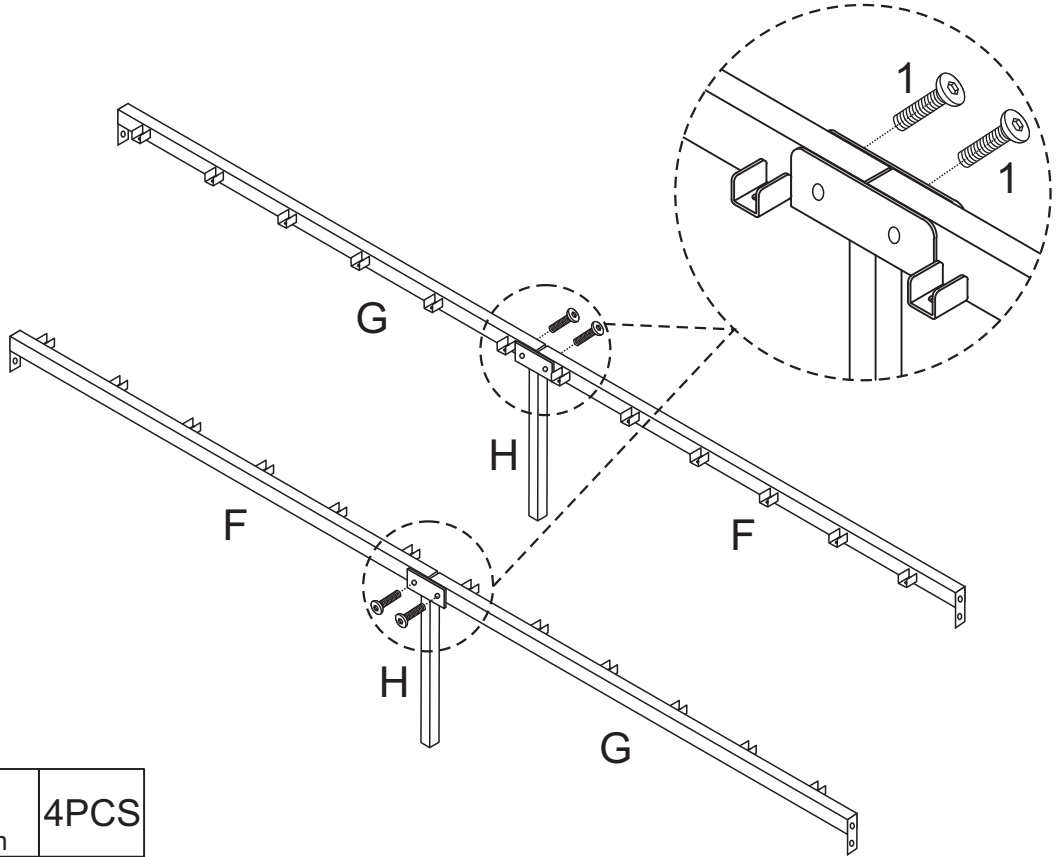



1	 M8x40mm	5PCS
---	---	------



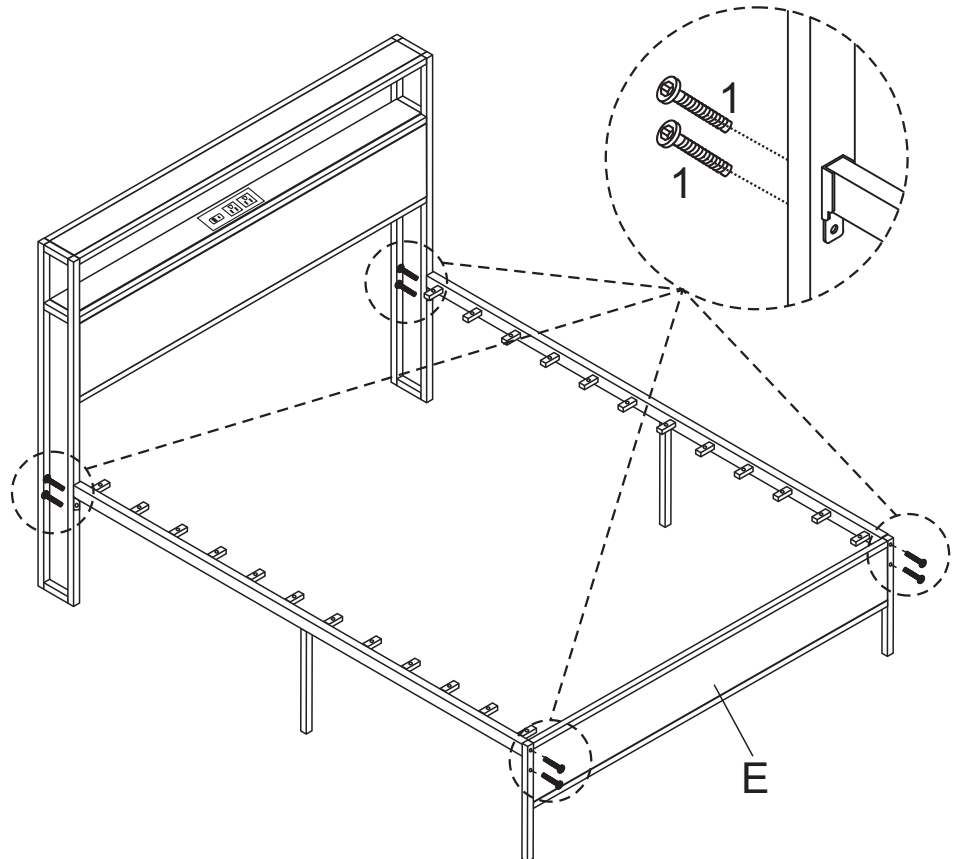
ASSEMBLY INSTRUCTIONS


5



1	 M8x40mm	4PCS
---	---	------

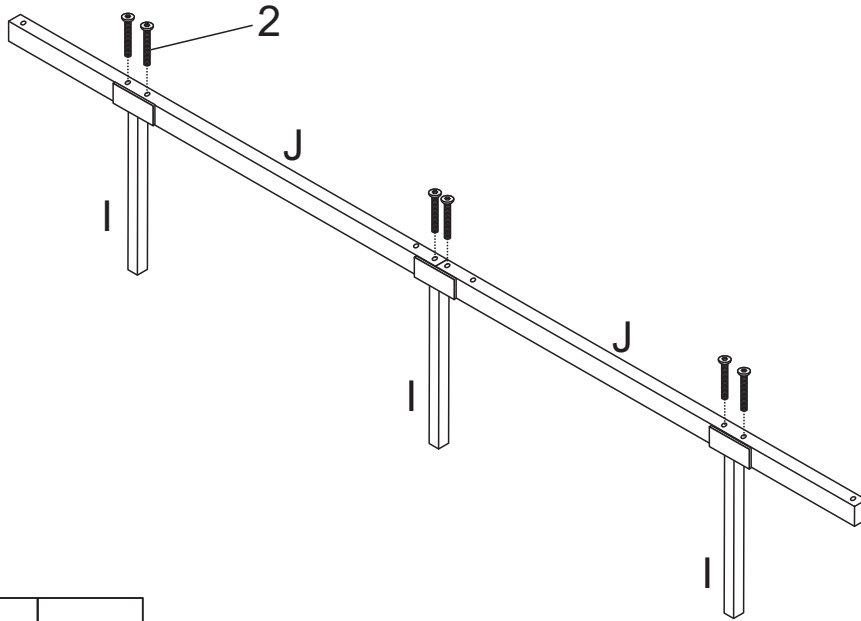
6




1	 M8x40mm	8PCS
---	---	------

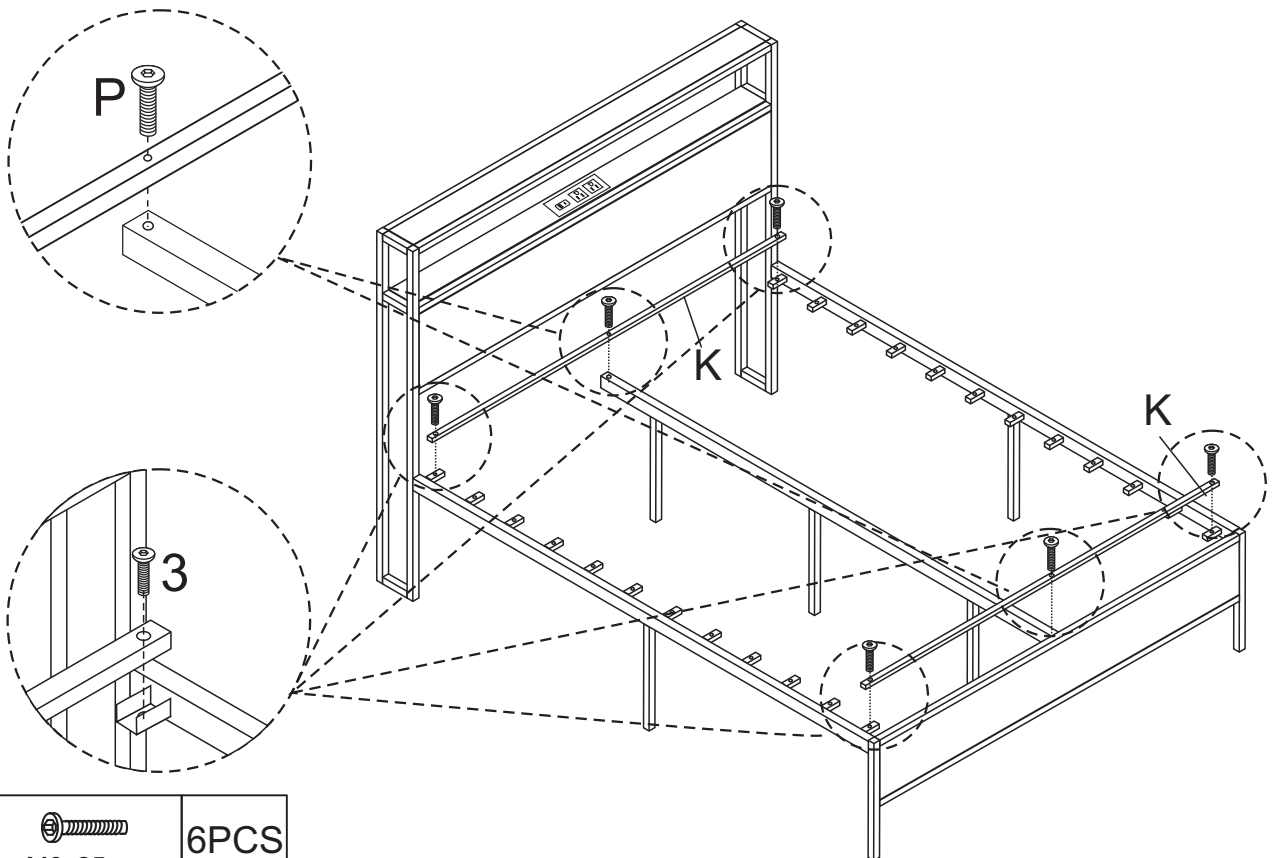
ASSEMBLY INSTRUCTIONS


7



2	 M6x35mm	6PCS
---	---	------

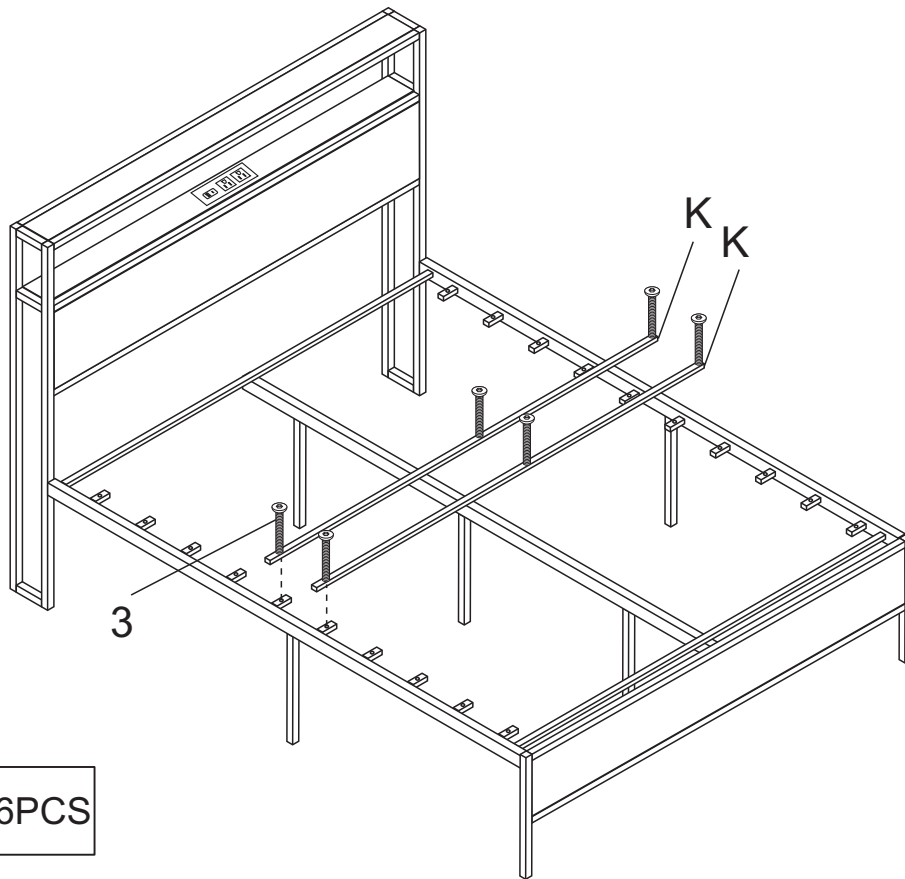
8




3	 M6x25mm	6PCS
---	---	------

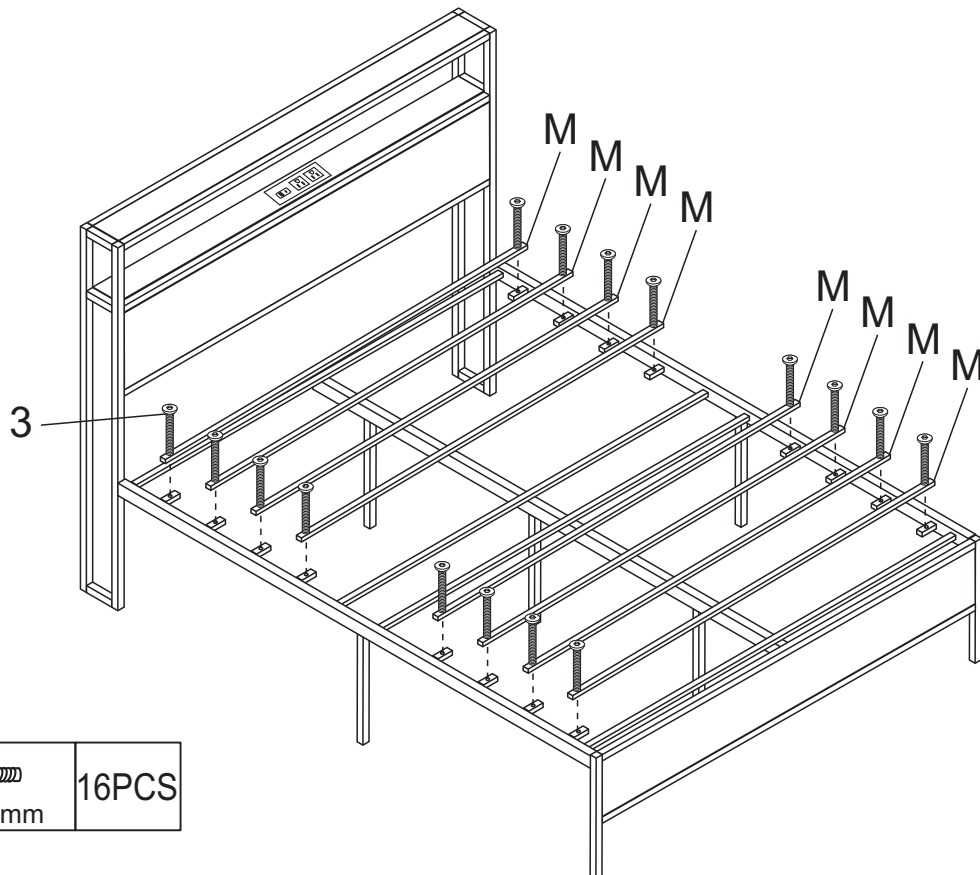
ASSEMBLY INSTRUCTIONS


9



3	 M6x25mm	6PCS
---	--	------

10



3	 M6x25mm	16PCS
---	--	-------

11



Installation Complete