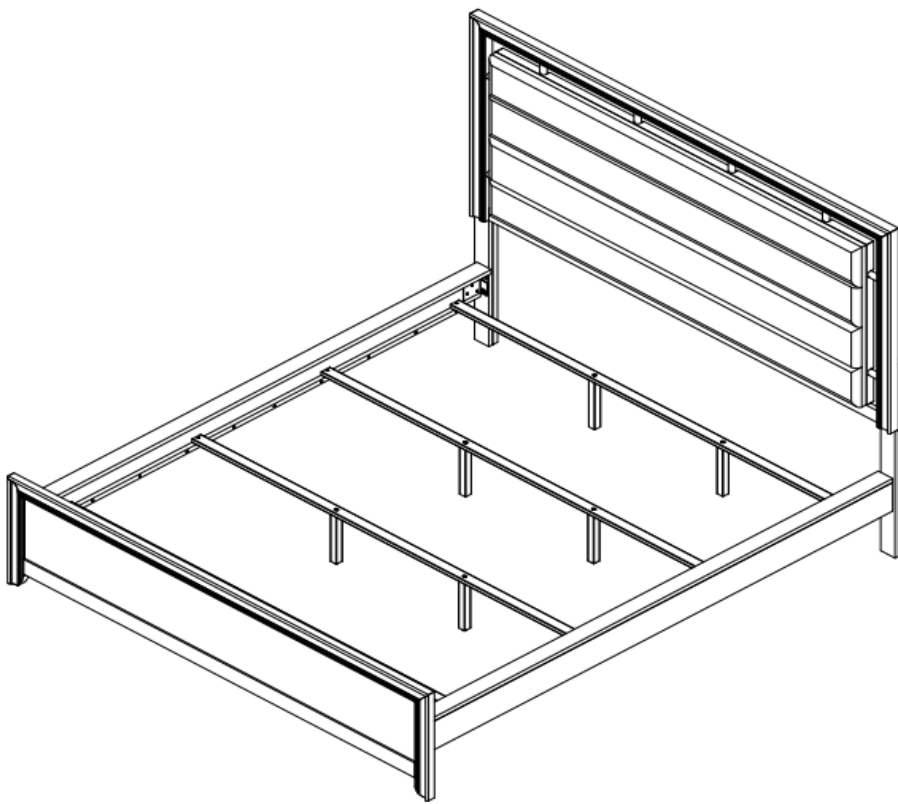


ASSEMBLY INSTRUCTIONS



Fine Furniture for every stage of life

California King Bed

ASSEMBLY INSTRUCTIONS

ASSEMBLY TIPS:

1. Remove hardware from box and sort by size.
2. Please check to see that all hardware and parts are present prior to start of assembly.
3. Please follow attached instructions in the same sequence as numbered to assure fast & easy assembly.



WARNING!

1. Don't attempt to repair or modify parts that are broken or defective. Please contact the store immediately.
2. This product is for home use only and not intended for commercial establishments.



ASSEMBLY TIME

20 MINUTES

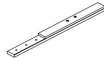
PARTS IDENTIFICATION

B1 (BOX 1)

A HEADBOARD PANEL 1PC

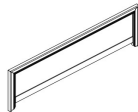


B LEFT HEADBOARD LEG 1PC



B2 (BOX 2)

D FOOTBOARD 1PC



E BED SLAT 4PCS

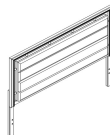


B3 (BOX 3)

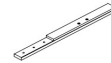
G BED RAIL 2PCS



HB *FROM BOX 1 HEADBOARD COMPLETE 1PC



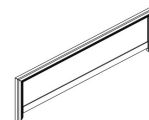
C RIGHT HEADBOARD LEG 1PC



F BED SLAT SUPPORT WITH LEVELER 8PCS



D *FROM BOX 2 FOOTBOARD 1PC



NOTE:

Phillips head screw driver is required in the assembly process; however, manufacturer does not provide this item.

ASSEMBLY INSTRUCTIONS

ASSEMBLY TIPS:

1. Remove hardware from box and sort by size.
2. Please check to see that all hardware and parts are present prior to start of assembly.
3. Please follow attached instructions in the same sequence as numbered to assure fast & easy assembly.







WARNING!





1. Don't attempt to repair or modify parts that are broken or defective. Please contact the store immediately.
2. This product is for home use only and not intended for commercial establishment.

HARDWARE IDENTIFICATION

BOX 1 - HARDWARE PACK

| | | | |
|---|------------------------------------------------|-------------------------------------------------------------------------------------|------|
| 1 | LONG BOLT (M6 x 35mm - BLK) |  | 8PCS |
| 2 | LOCK WASHER (M8 - BLK) |  | 8PCS |
| 3 | BIG FLAT WASHER (M8 x 18mm - BLK) |  | 8PCS |
| 4 | SMALL ALLEN WRENCH (M4 x 65mm - BLK) |  | 1PC |

BOX 2 - HARDWARE PACK

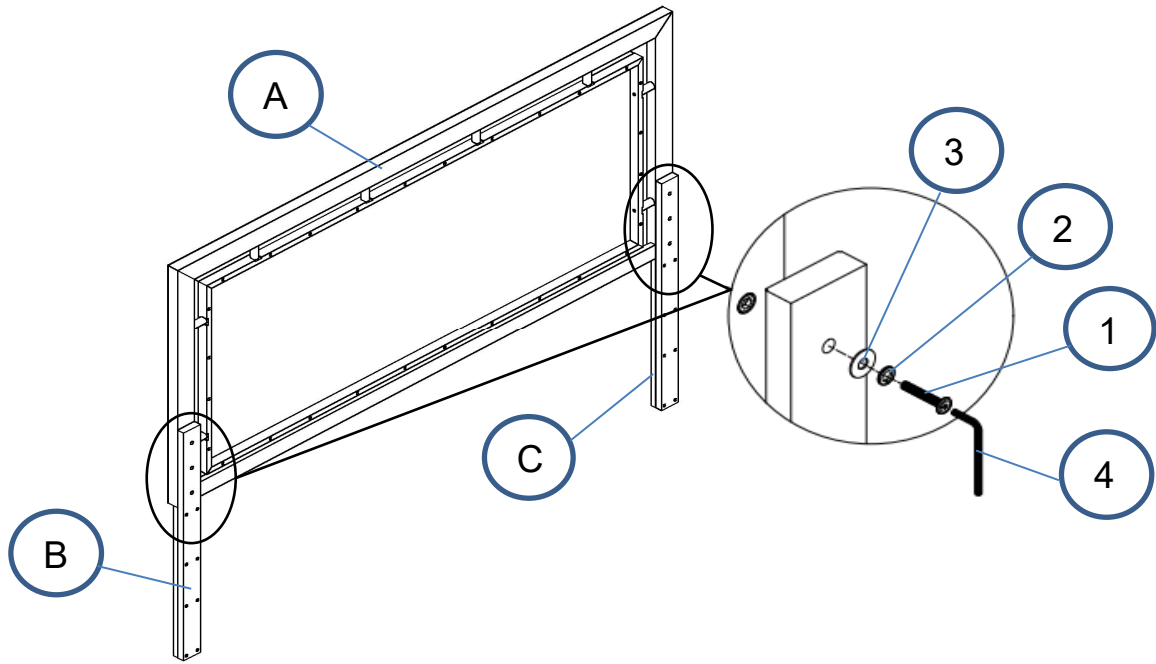
| | | | |
|---|----------------------------------------------|-------------------------------------------------------------------------------------|------|
| 5 | SHORT BOLT (M8 x 20mm - RBW) |  | 8PCS |
| 6 | BIG FLAT WASHER (M8 x 18mm - RBW) |  | 8PCS |
| 7 | BIG ALLEN WRENCH (M5 x 65mm - BLK) |  | 1PC |
| 8 | PAN HEAD SCREW (M4 x 32mm - BLK) |  | 8PCS |

NOTE:

Phillips head screw driver is required in the assembly process; however, manufacturer does not provide this item.

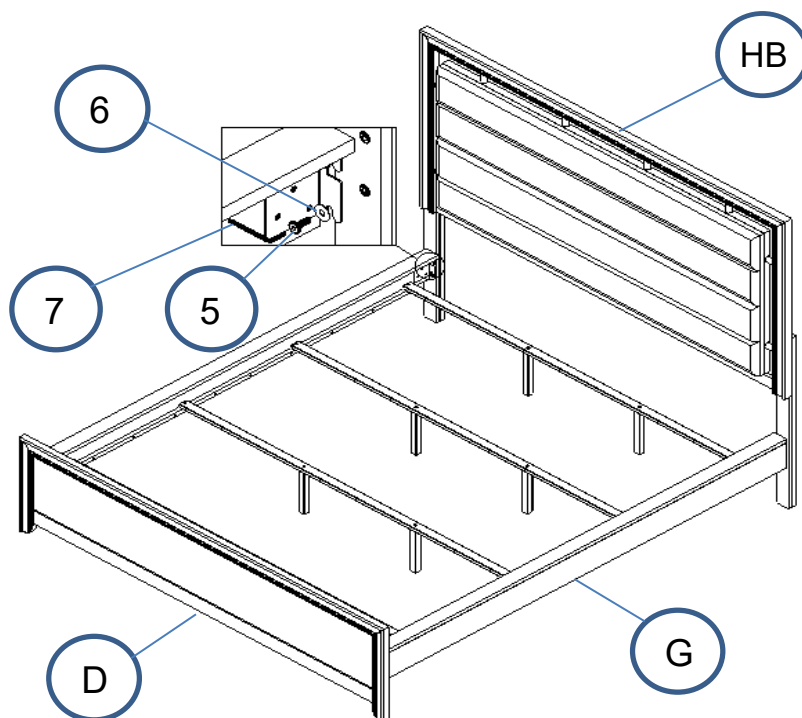
ASSEMBLY INSTRUCTIONS

STEP 1



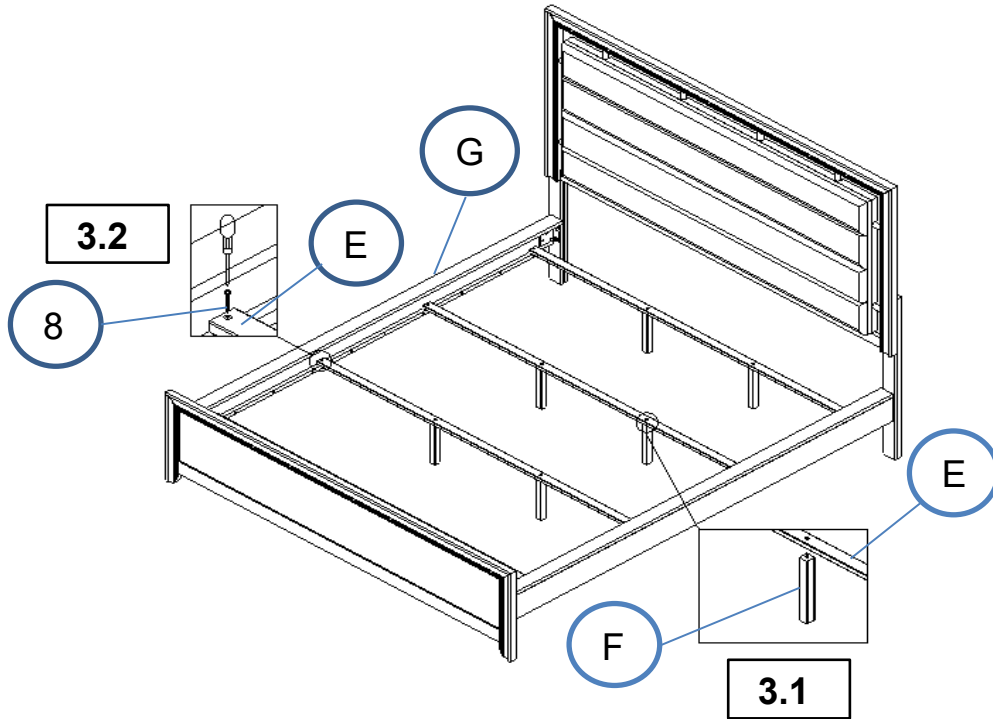
*** BACK VIEW**

STEP 2

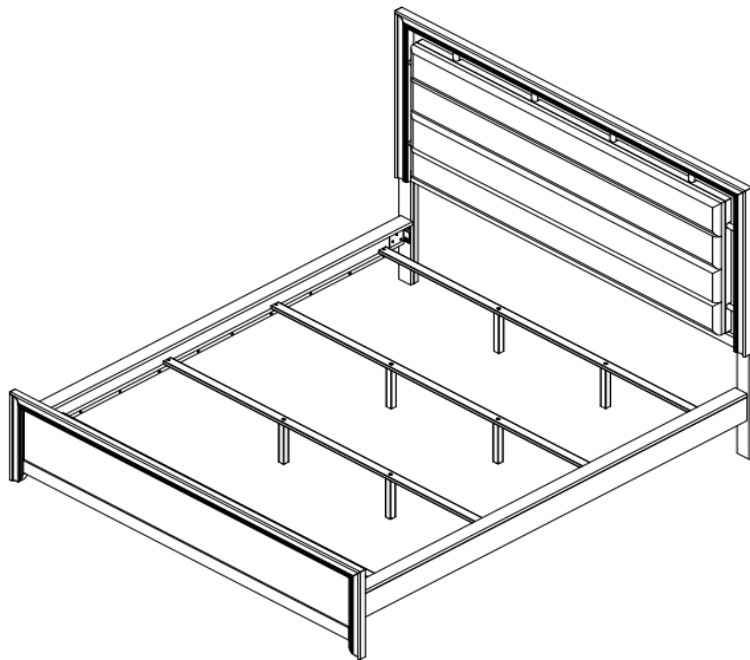


ASSEMBLY INSTRUCTIONS

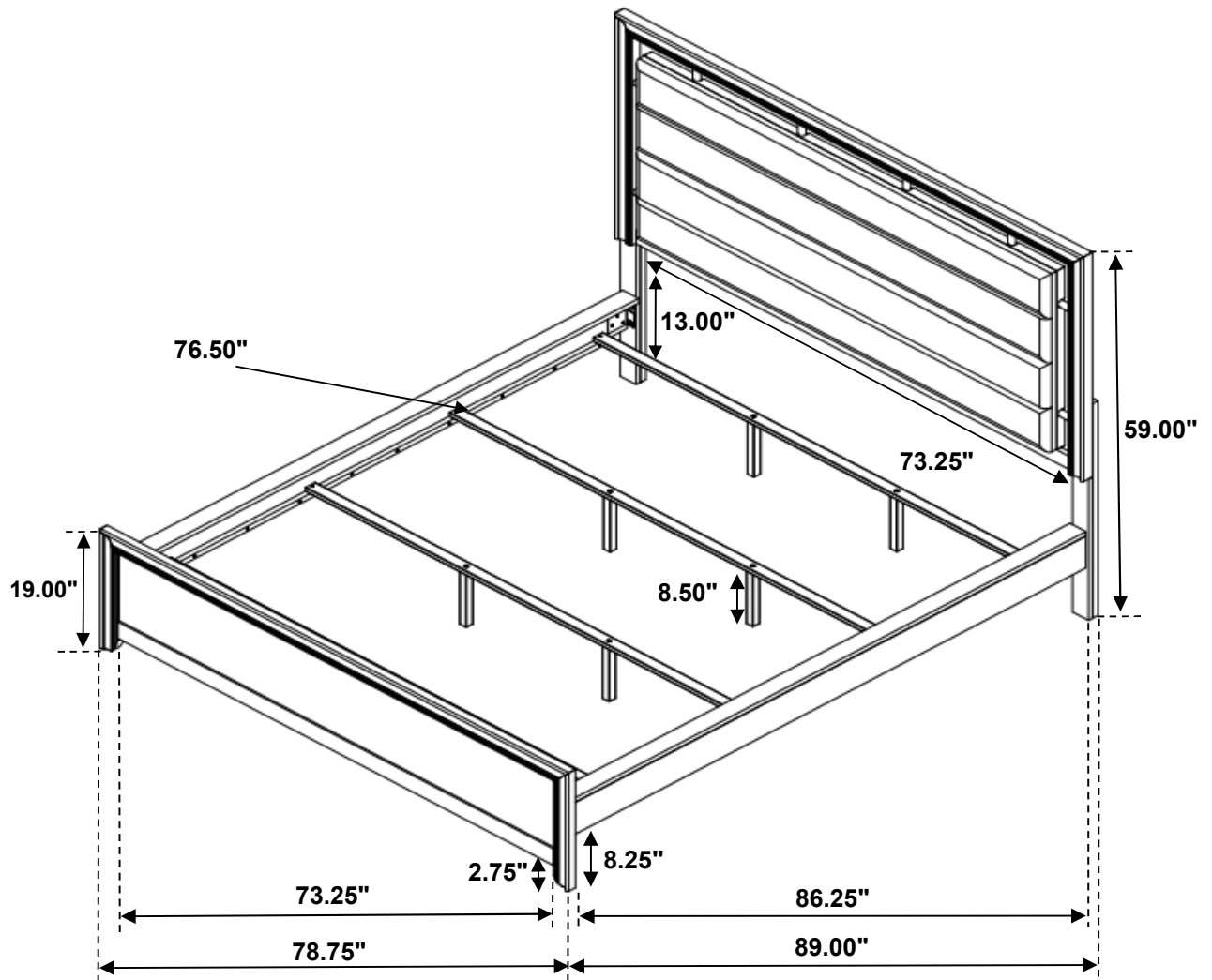
STEP 3



STEP 4 COMPLETE



Inner Size : 72.75"W x 83.75"D



Note: Dimension tolerance $\pm 5\%$