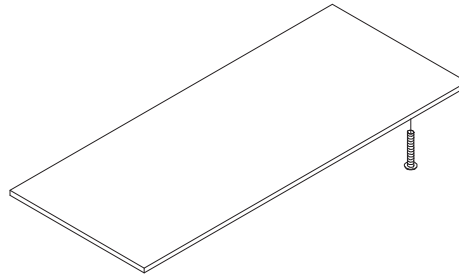


2 PERS.

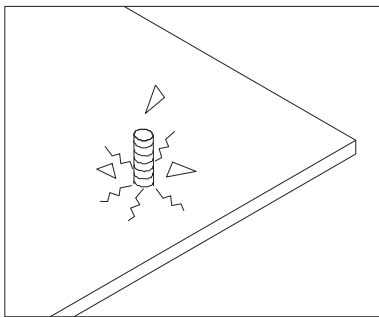
1. Matters needing attention

! WARNING	
	<p>Children have died from furniture tipover. To reduce the risk of furniture tipover:</p> <ul style="list-style-type: none">-ALWAYS install Anti-tip device provided.-NEVER put a TV on this product.-NEVER allow children to stand, climb or hang on drawers, doors, or shelves.-NEVER open more than one drawer at a time.-Place heaviest items in the lowest drawers. <p><i>This is a permanent label. Do not remove!</i></p>
	

2. Matters needing attention

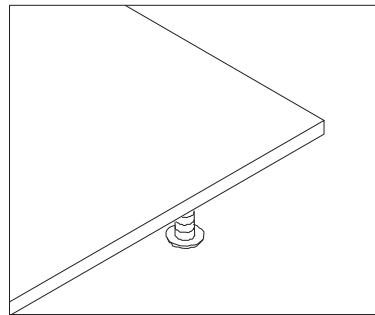


Be sure to use the proper screws to avoid damaging the parts



✘

Wrong screws can cause the plank to crack

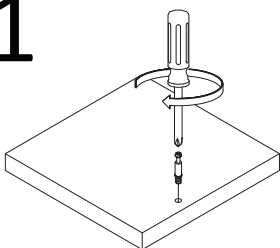
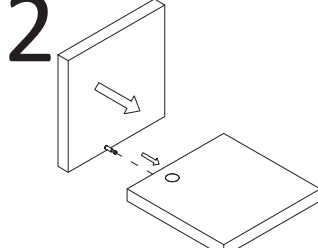
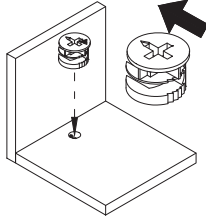
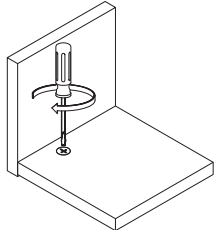


✔

The right screw is the right size

Cam Lock Fastening System

Insert the cam bolt into the hole first, then insert the cam lock and lock it.

1 	2 	3  <p>The opening must point toward the edge of the board</p>	4 
---	---	---	---

Installation parts



A

x38(+2)

M6x35mm



B

x38(+2)



C

x18(+3)

M6x30mm



D

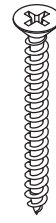
x32(+2)

M3.5x10mm



E

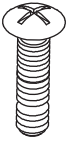
x5



F

x20(+1)

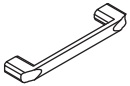
M4x35mm



G

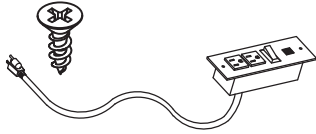
x6

M4x14mm



H

x3



I

x2

M3.5x12mm



J

x1

M4



K

x4



L

x2



M1



M2



M3

x12mm

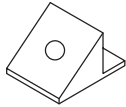
M

x2



N

x4



O

x20



P

x20



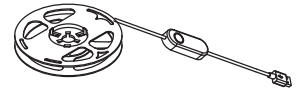
Q

x2



R

x2



S

x2



CL

x1

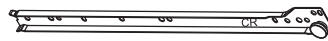
L250mm



DL

x1

L250mm



CR

x1

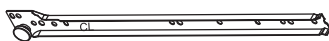
L250mm



DR

x1

L250mm



CL

x2

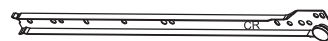
L300mm



DL

x2

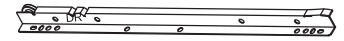
L300mm



CR

x2

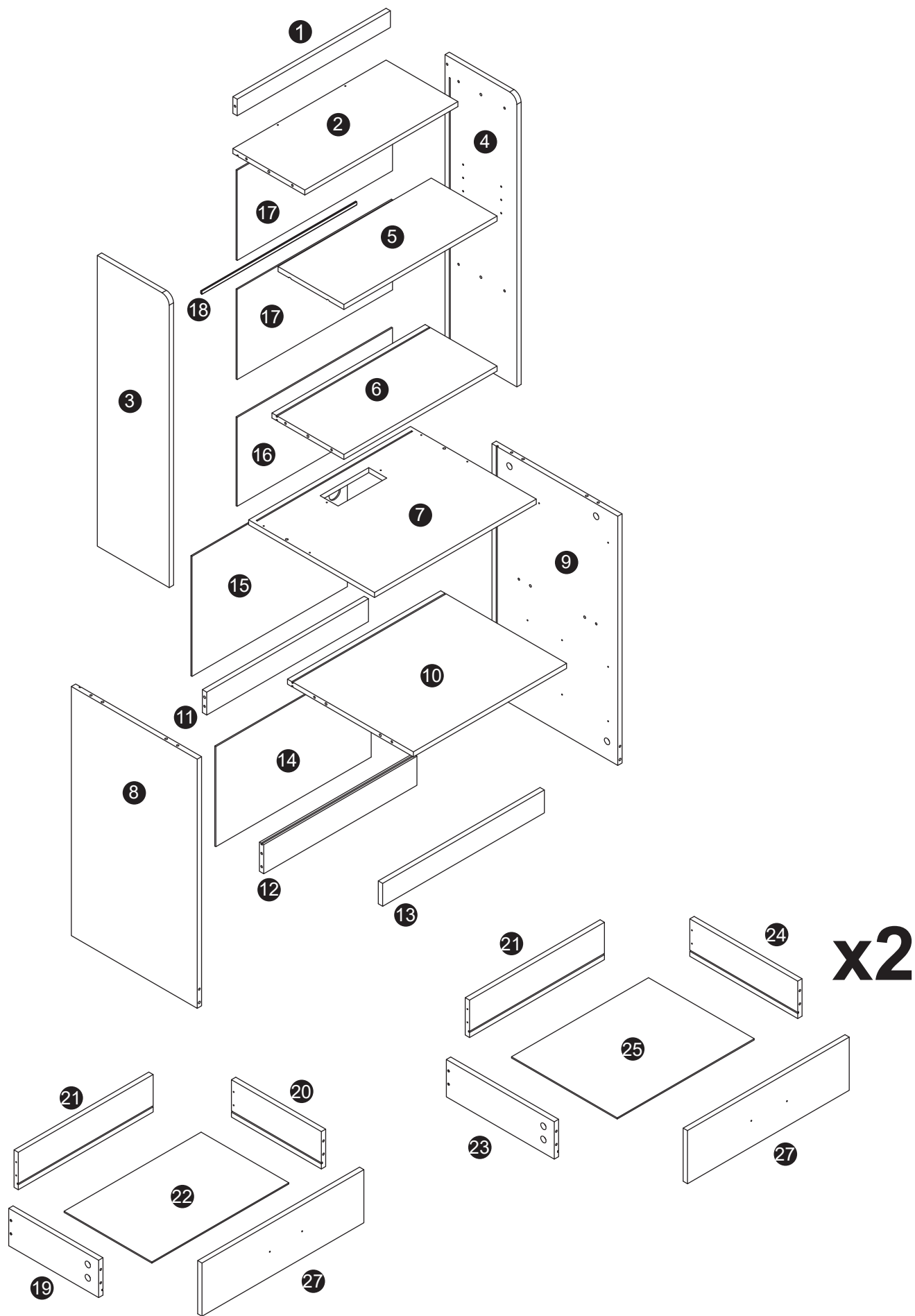
L300mm



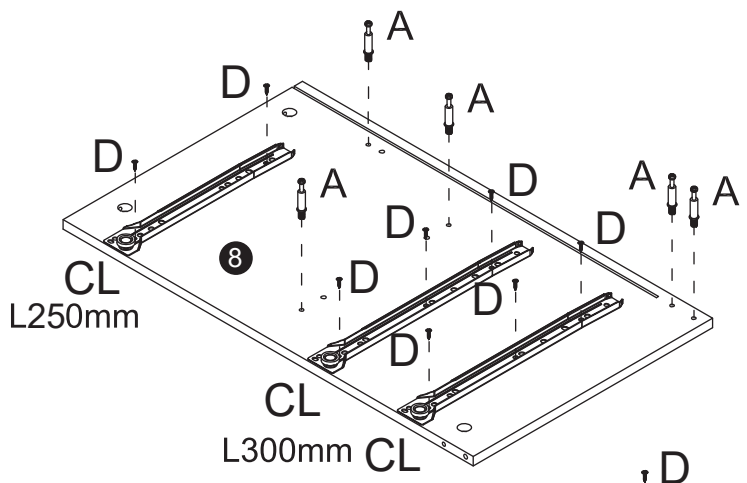
DR


x2


L300mm




1




CR

x1


A

M6x35mm x10

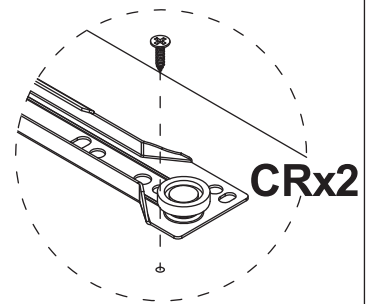
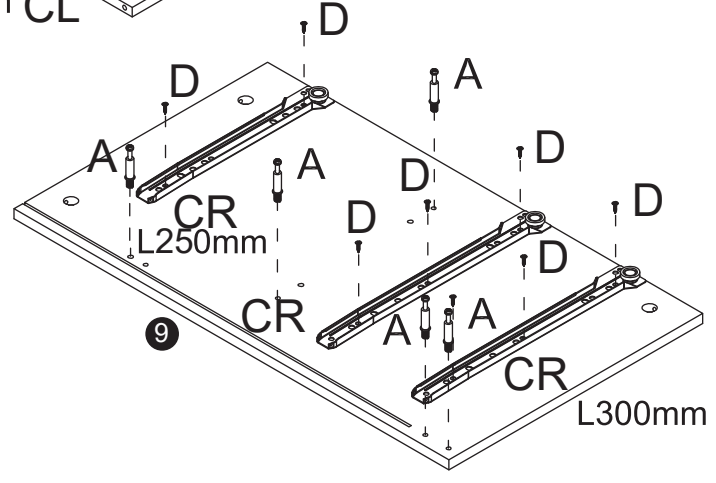
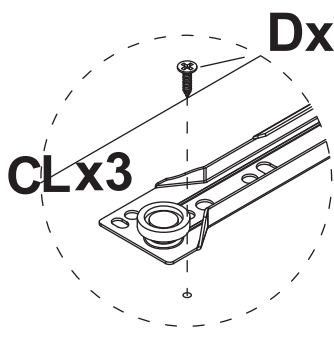
CL

x1

D

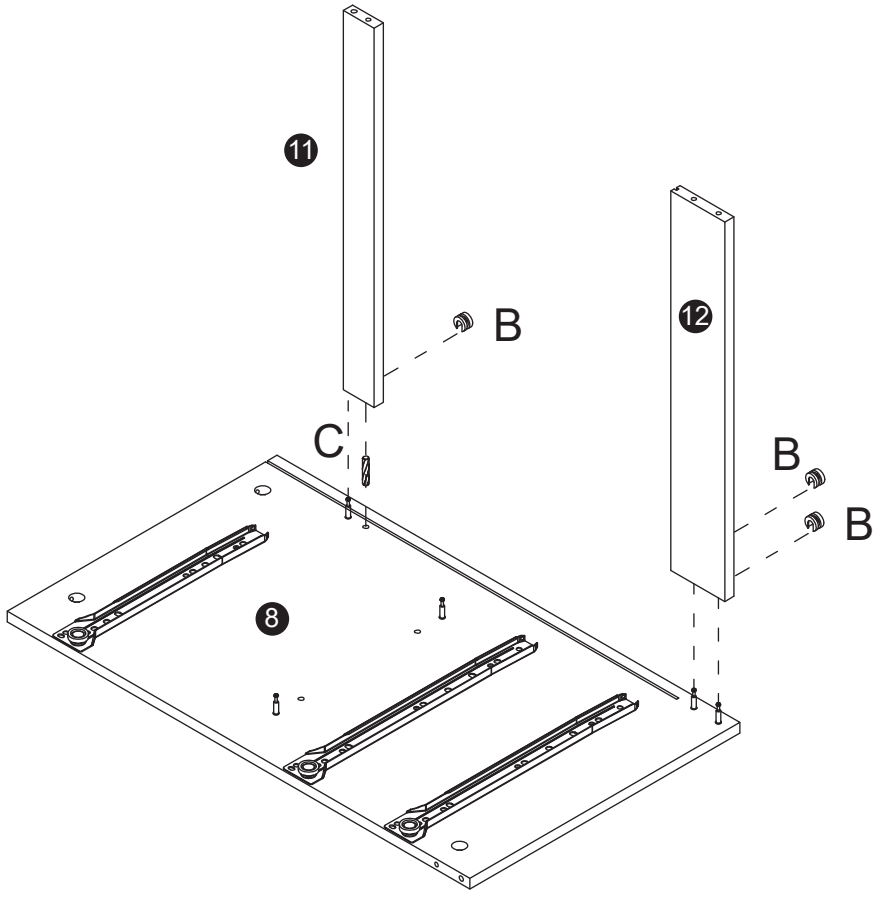
M3.5x10mm x16

CR

x2

CL

x2




2

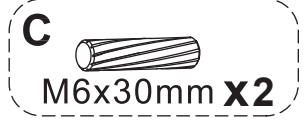
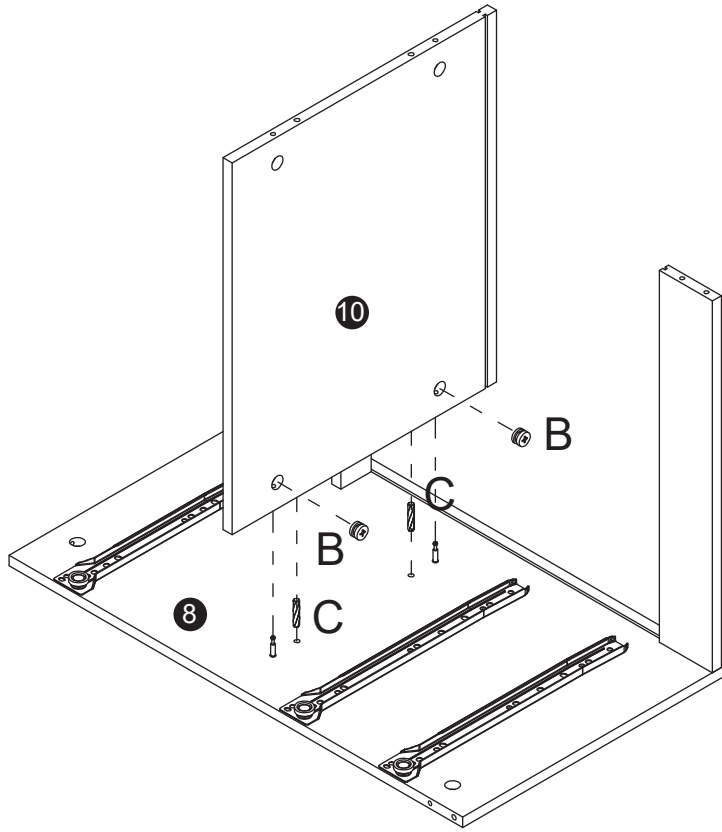


B

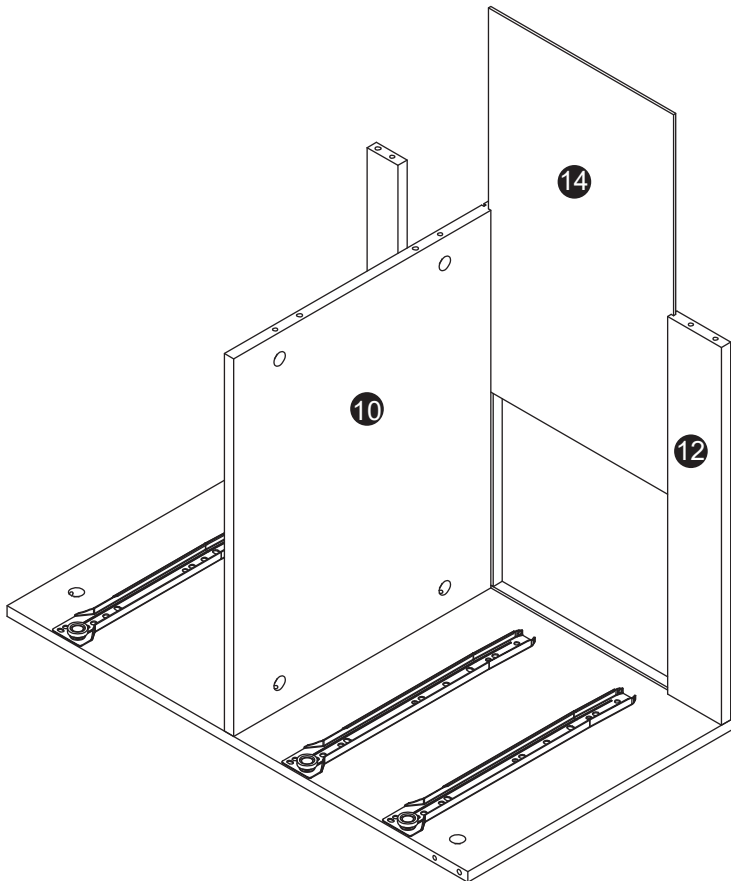
x3

C

M6x30mm x1

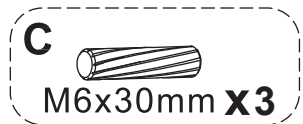
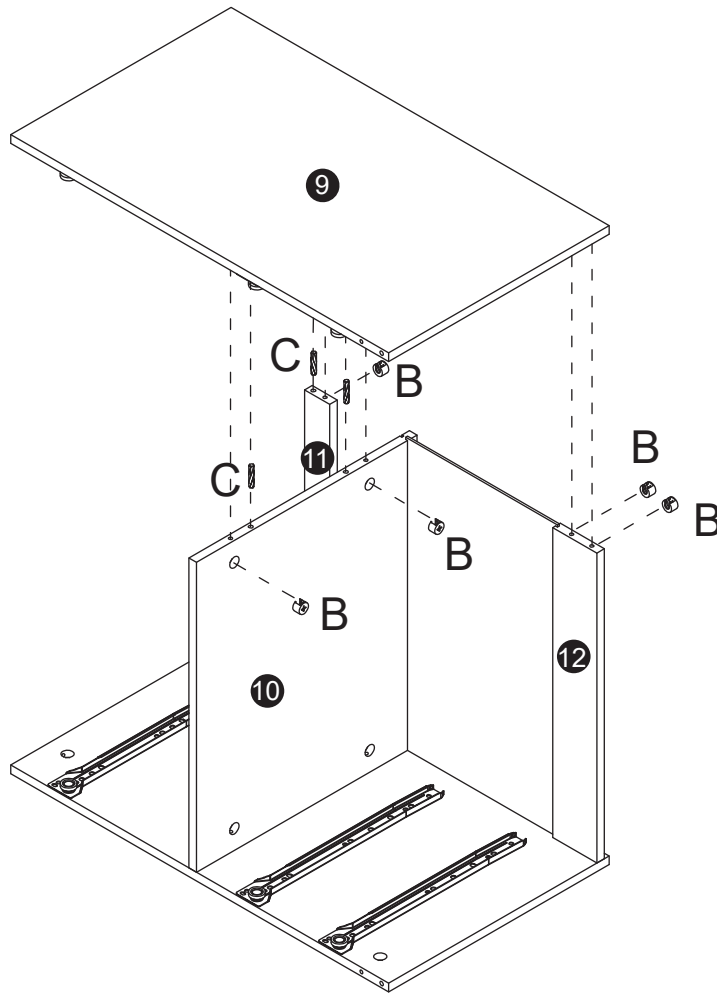
3



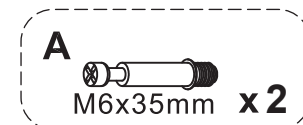
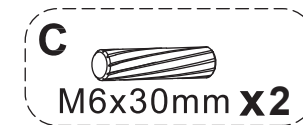
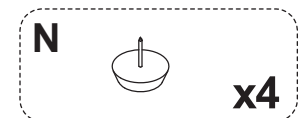
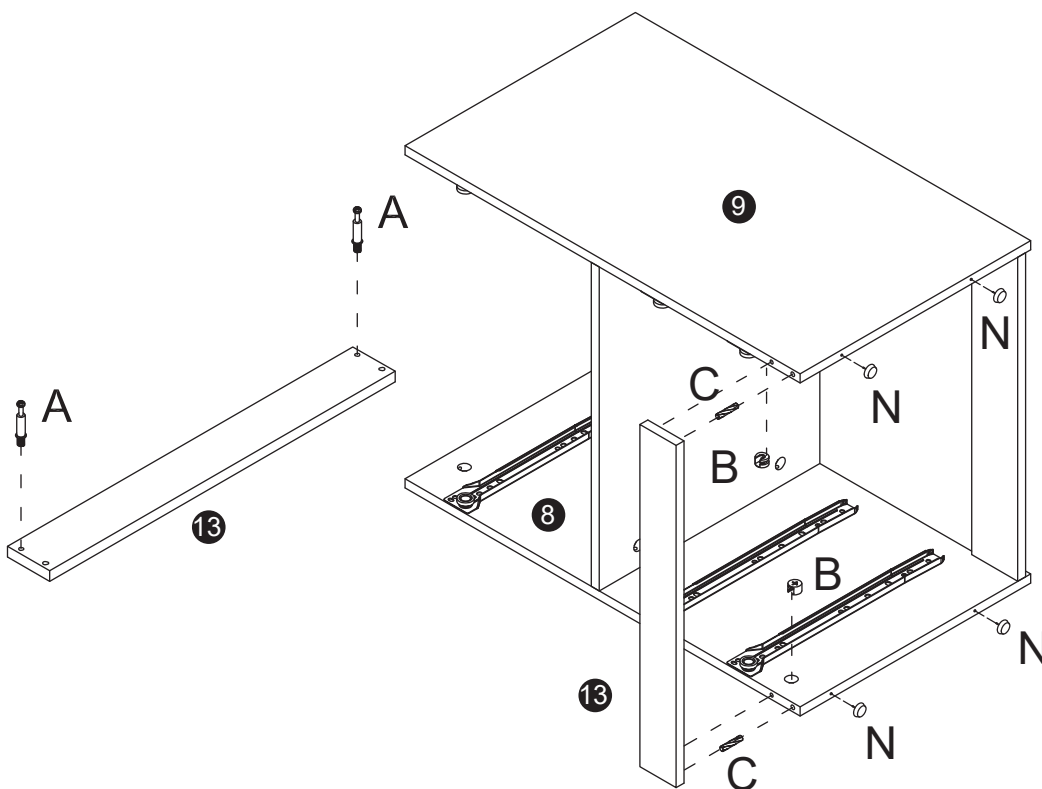
4

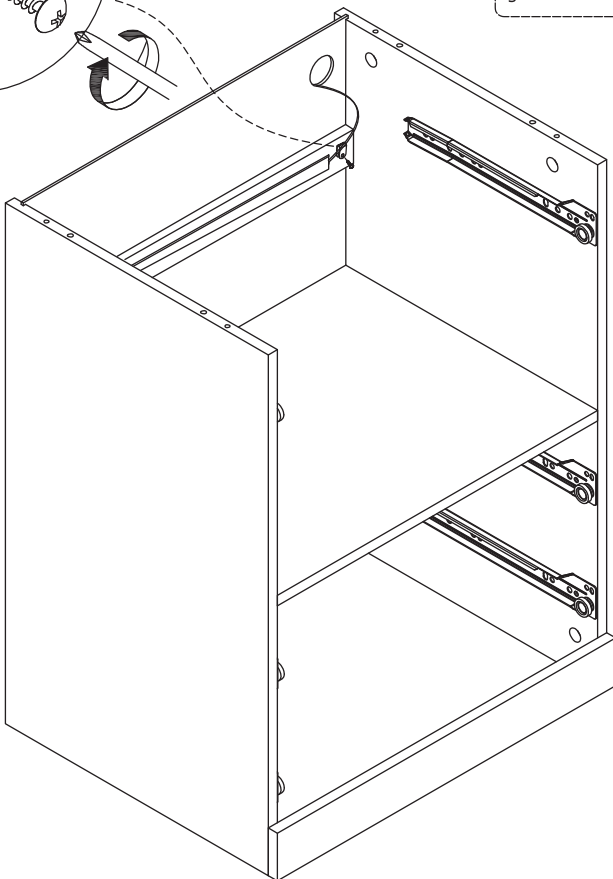
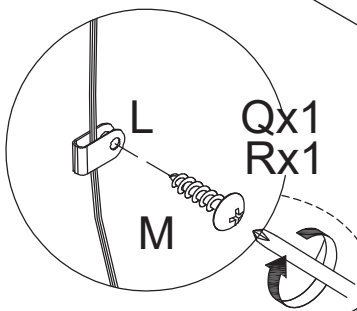
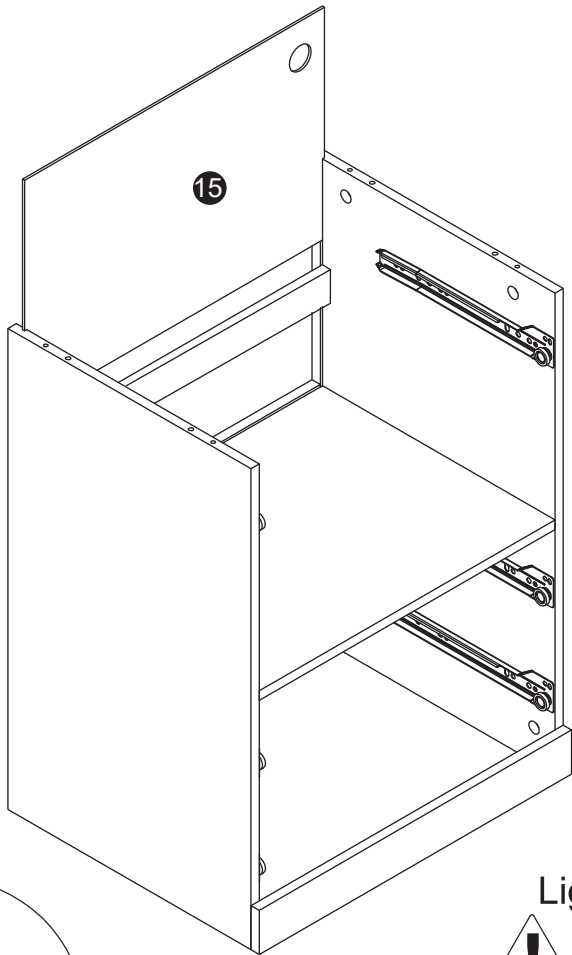


5



6

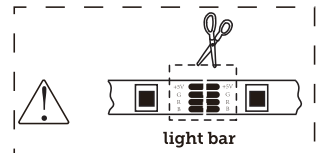
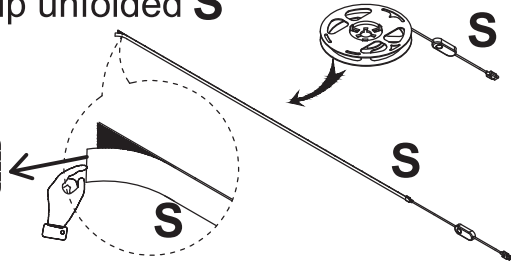




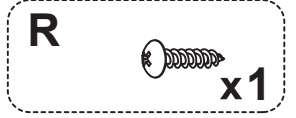
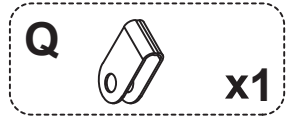
Light strip unfolded **S**



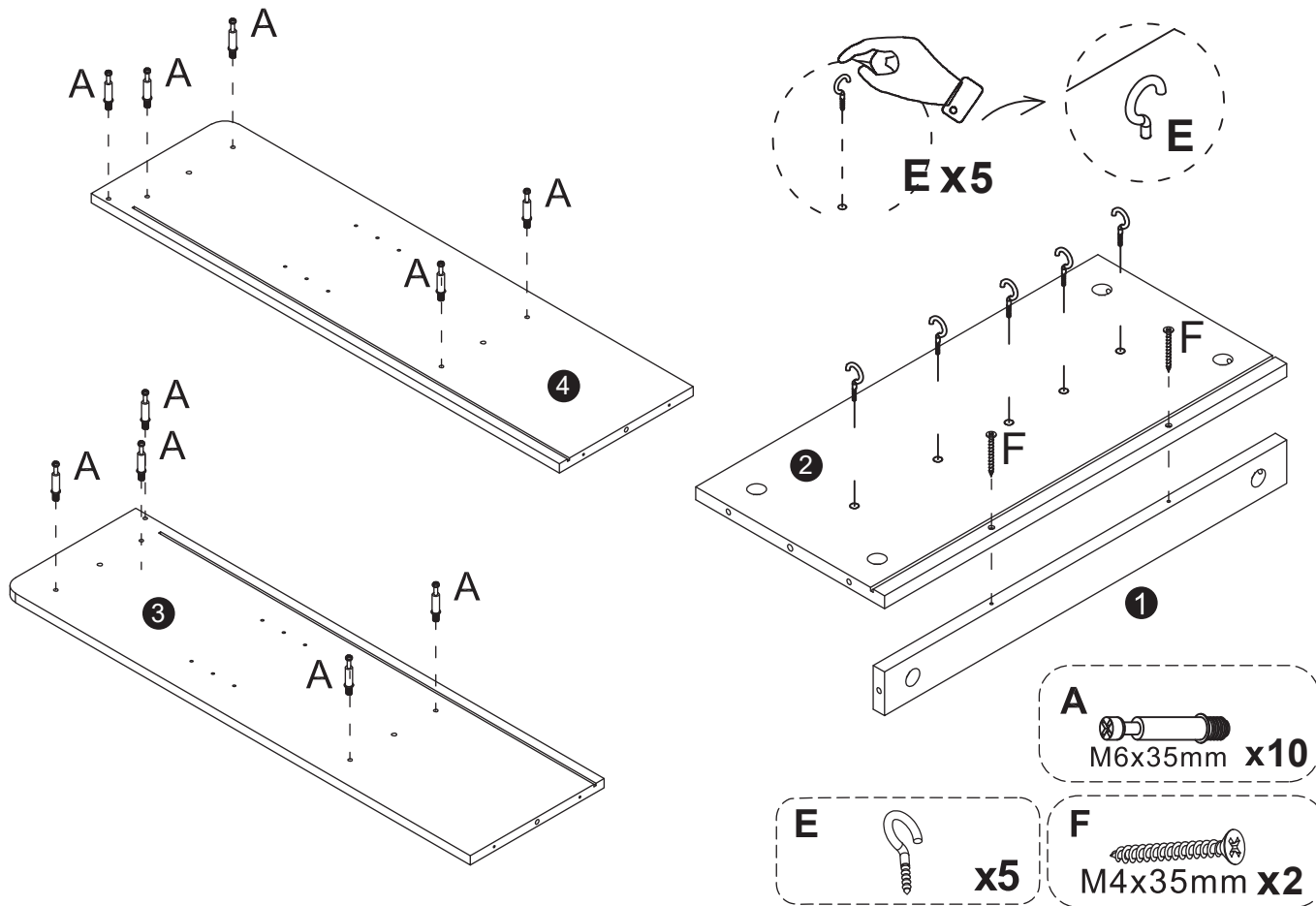
Tear off the back glue of the light strip



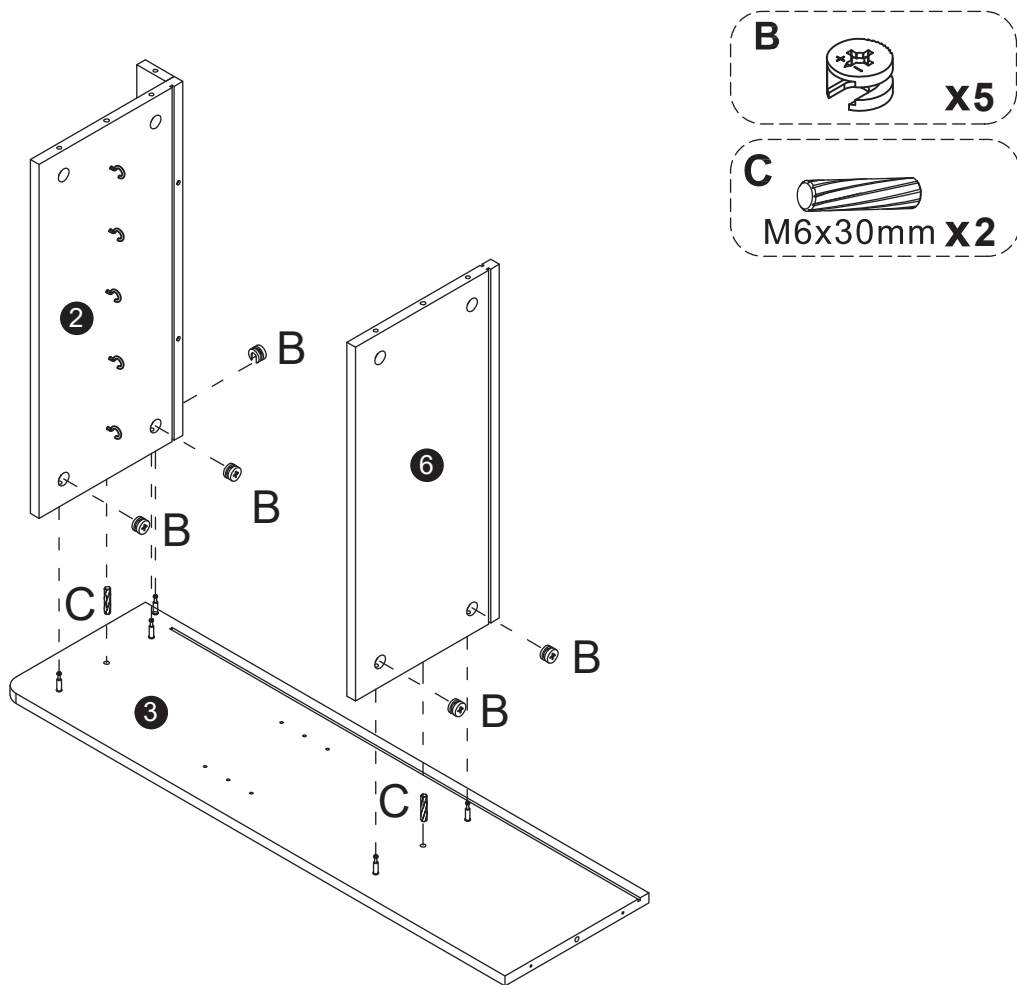
According to the actual length, cut the excess light strip or keep it



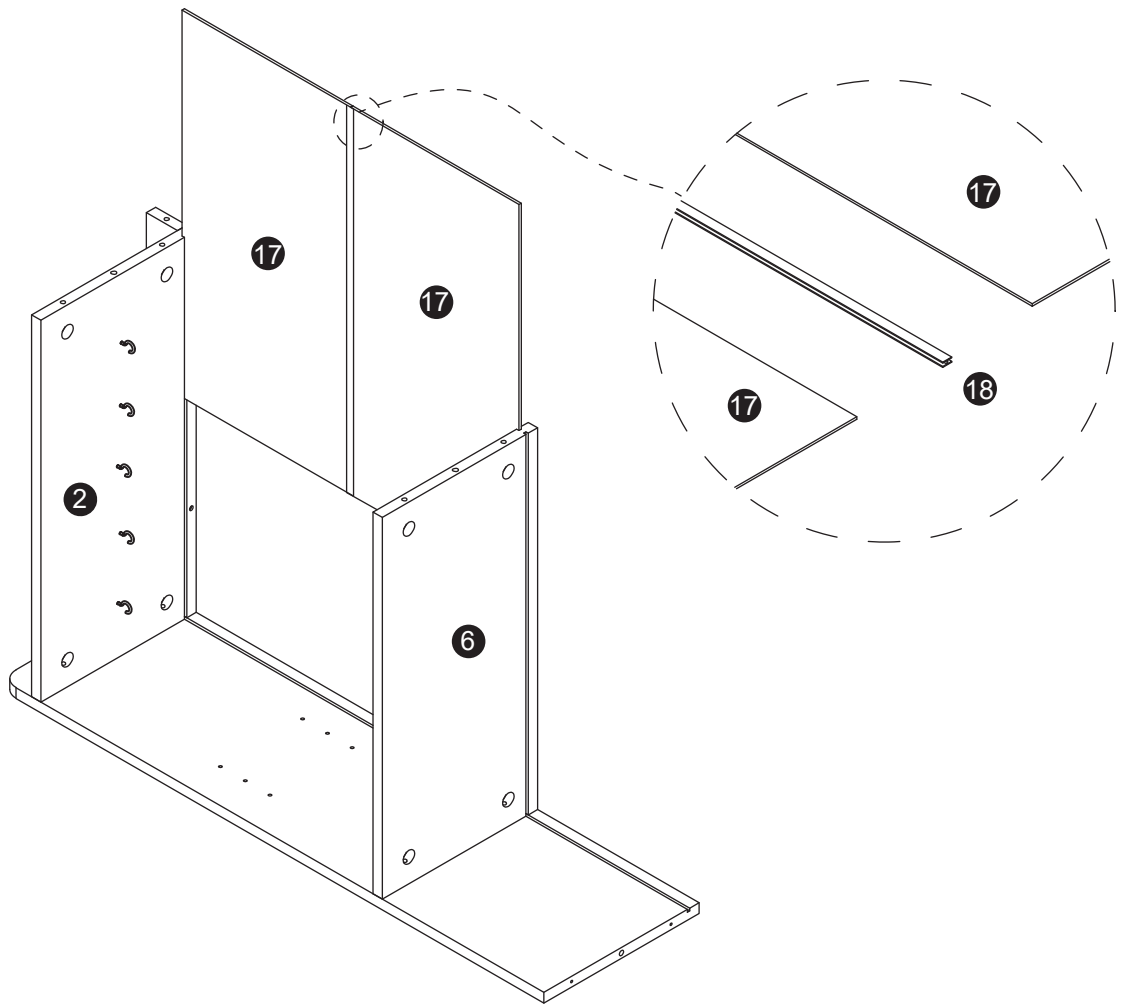
8



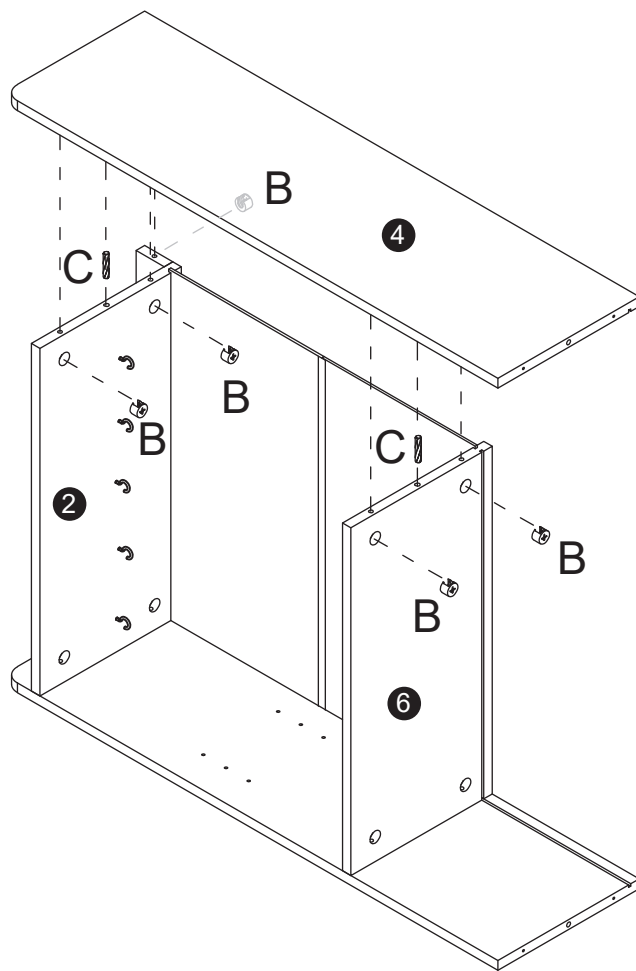
9





10



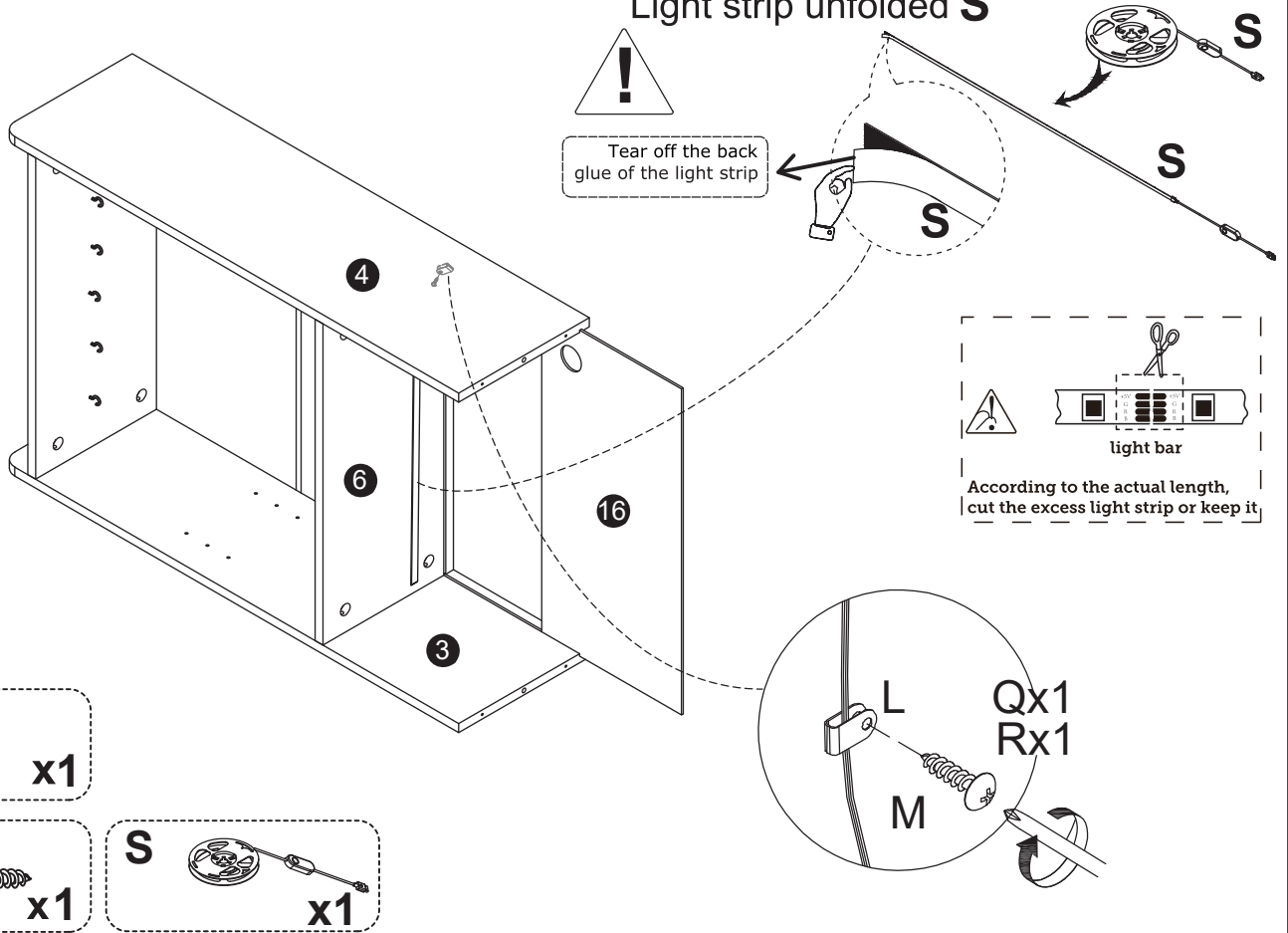
11



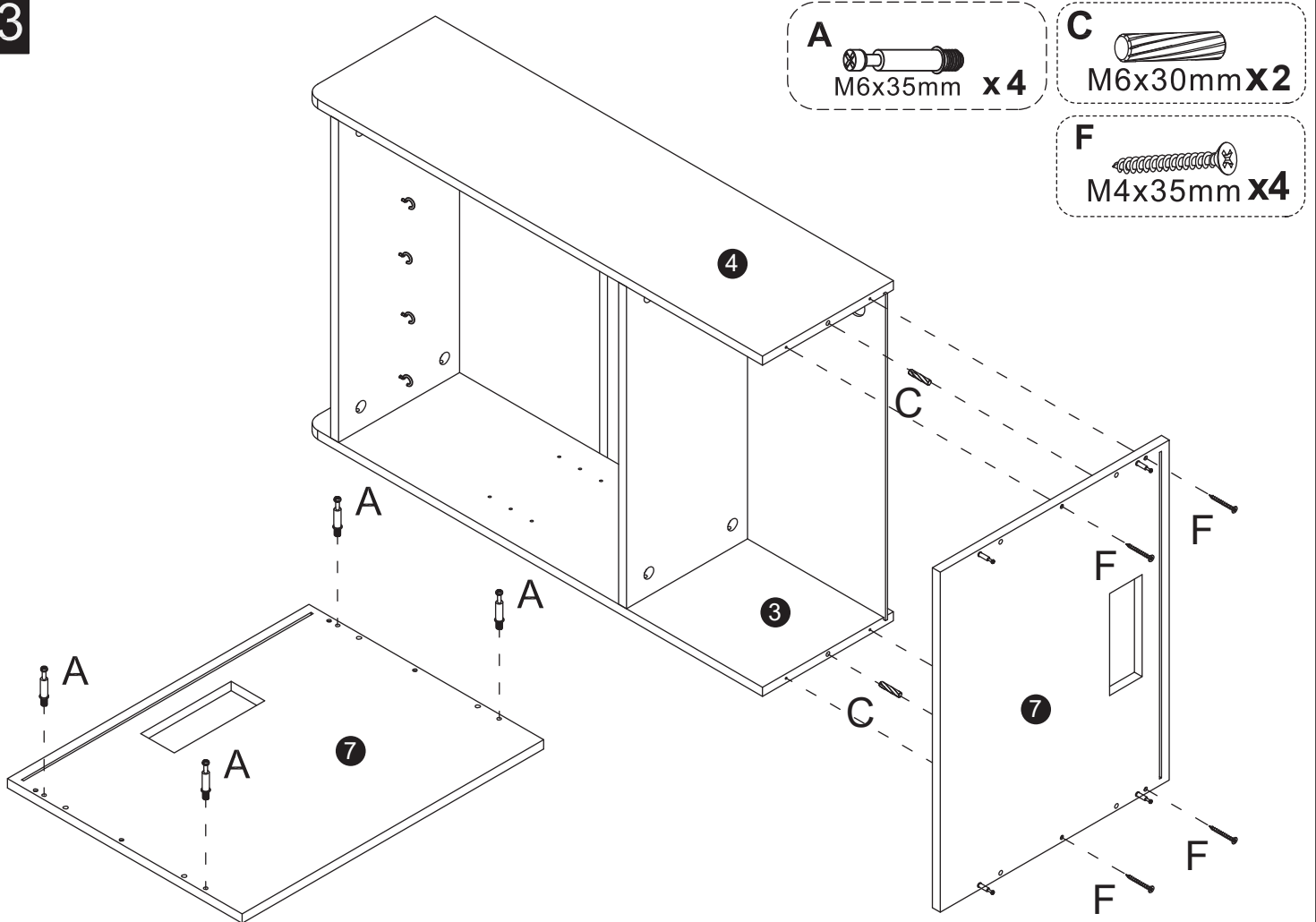
- B**  **x5**
- C**  **M6x30mm x2**

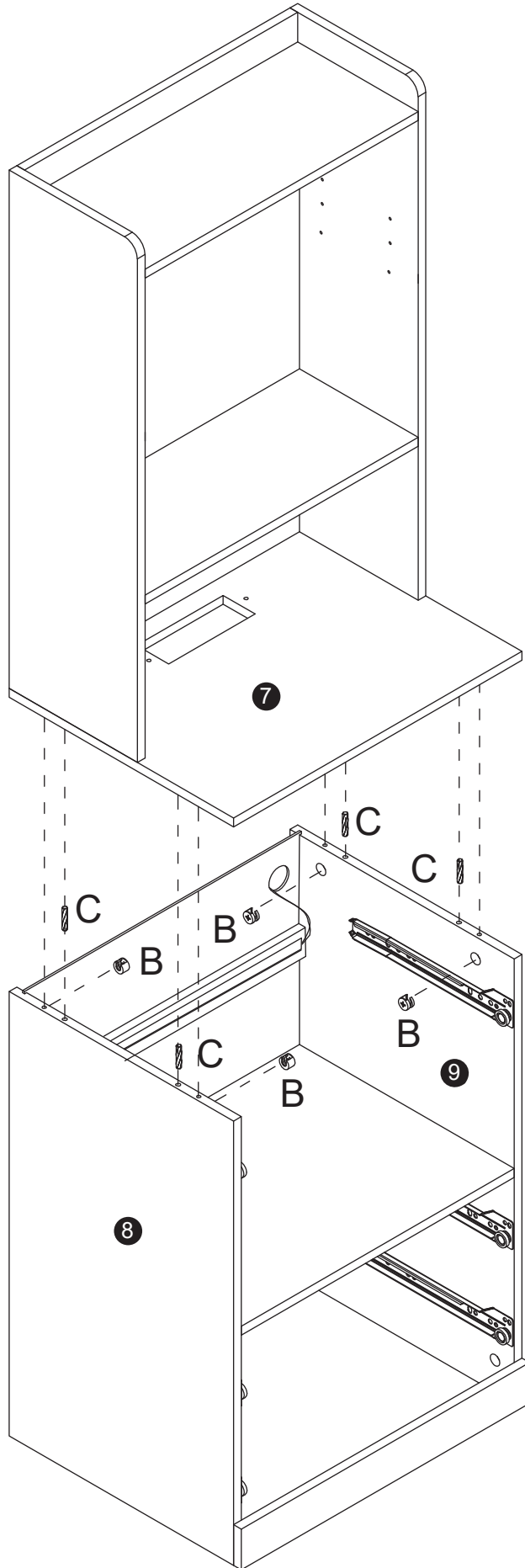
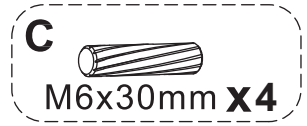
12

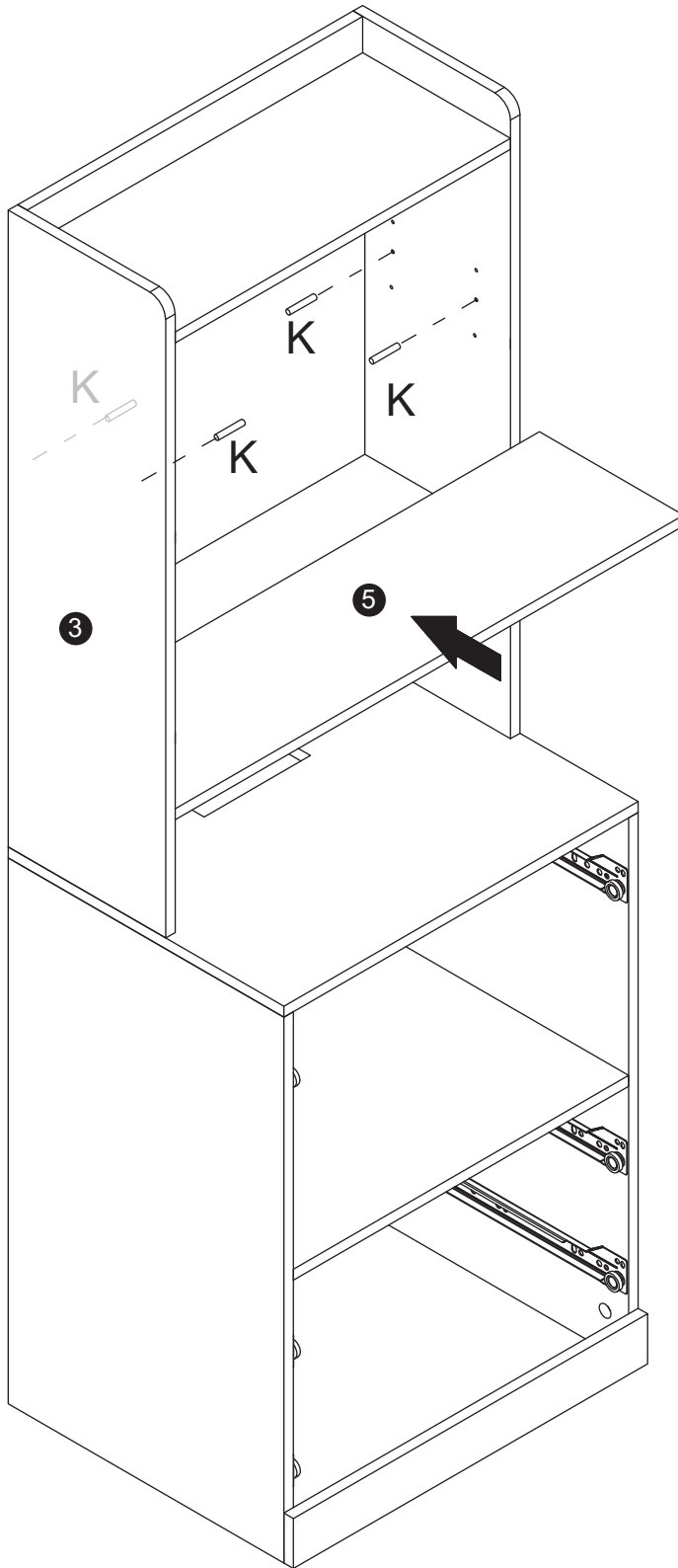
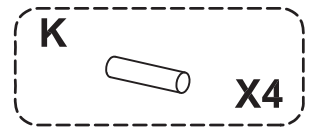
Light strip unfolded **S**

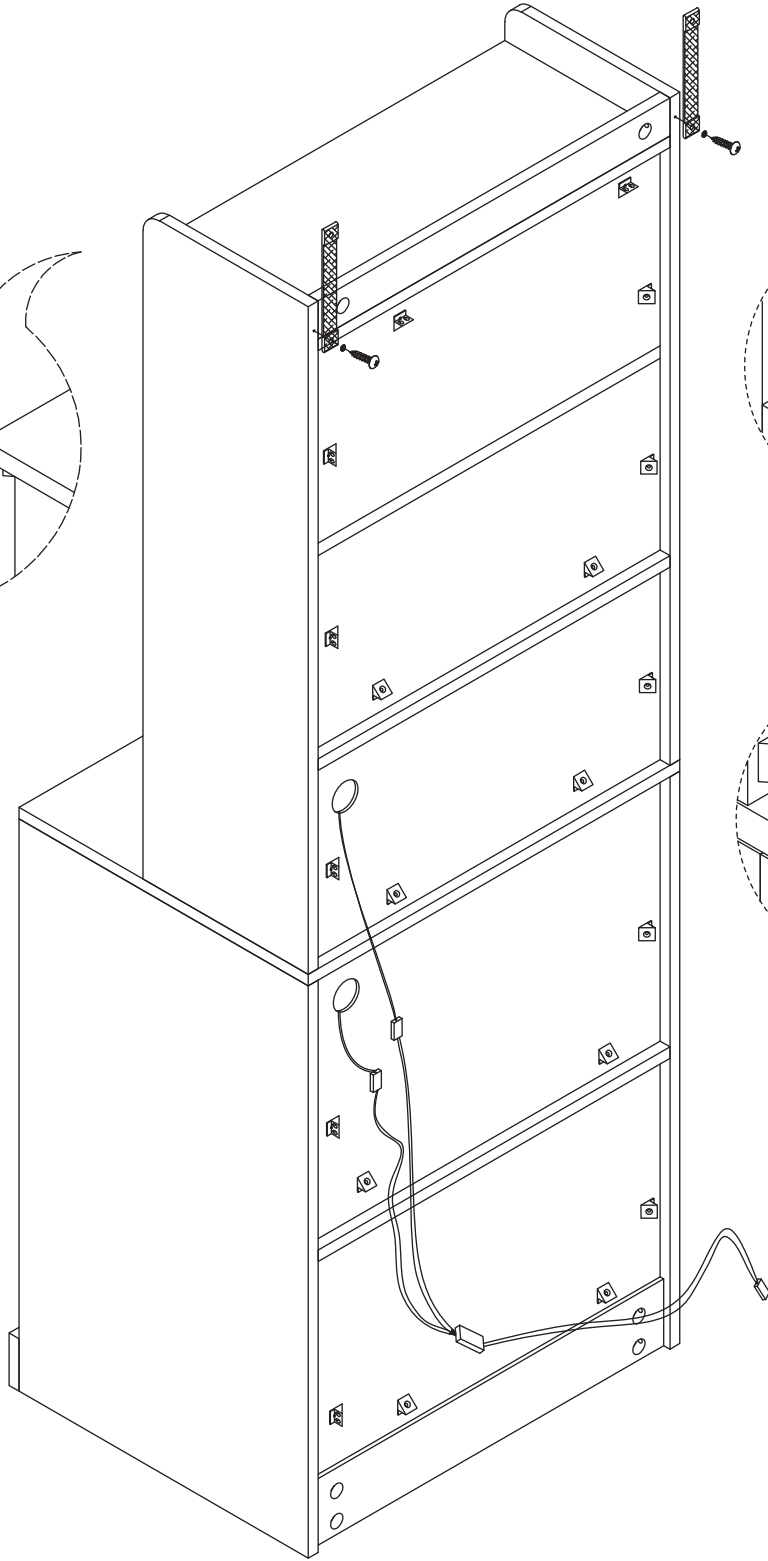
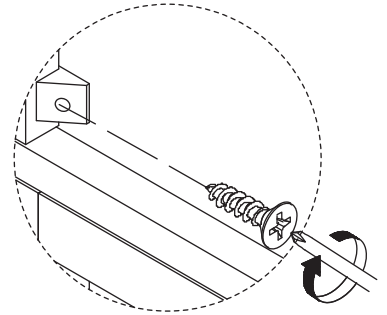
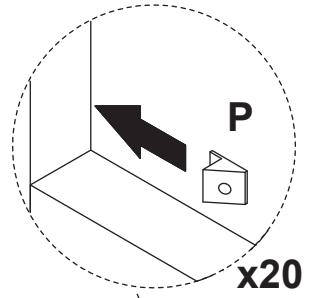
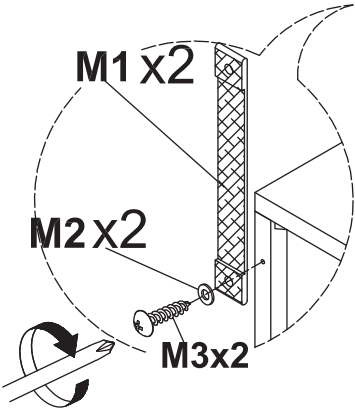
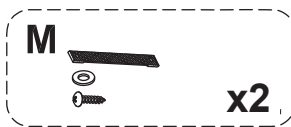
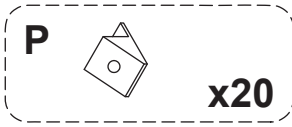


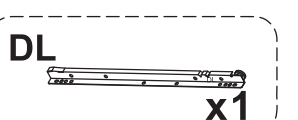
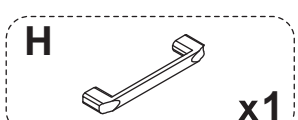
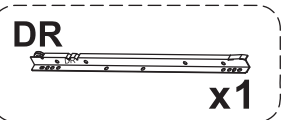
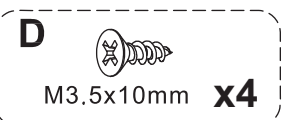
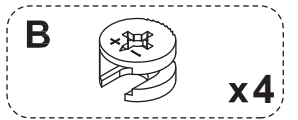
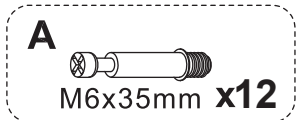
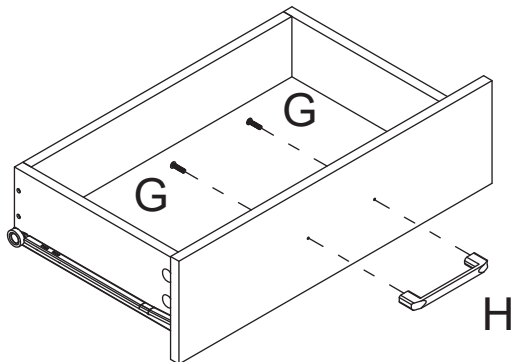
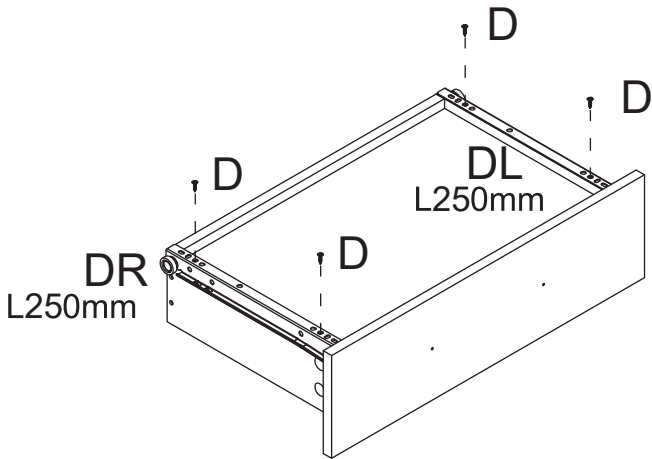
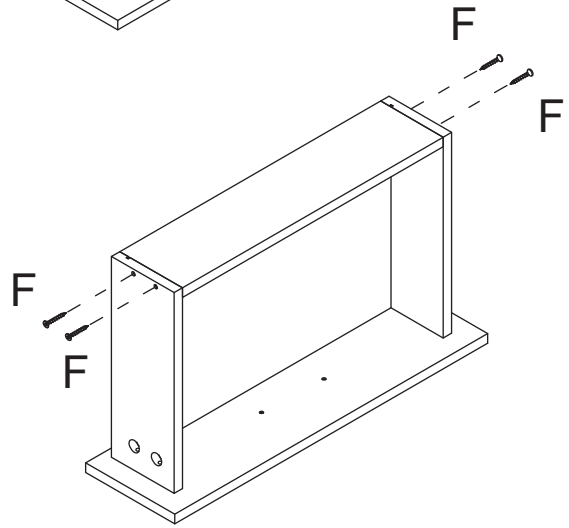
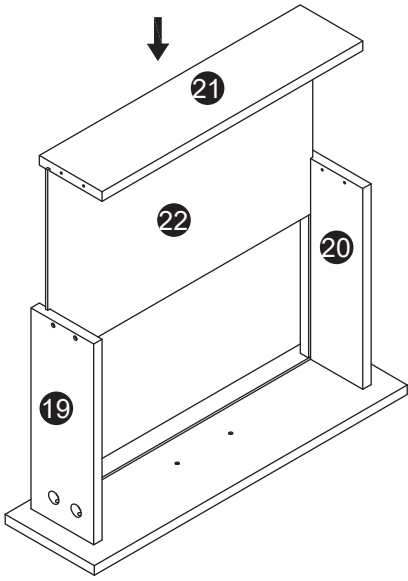
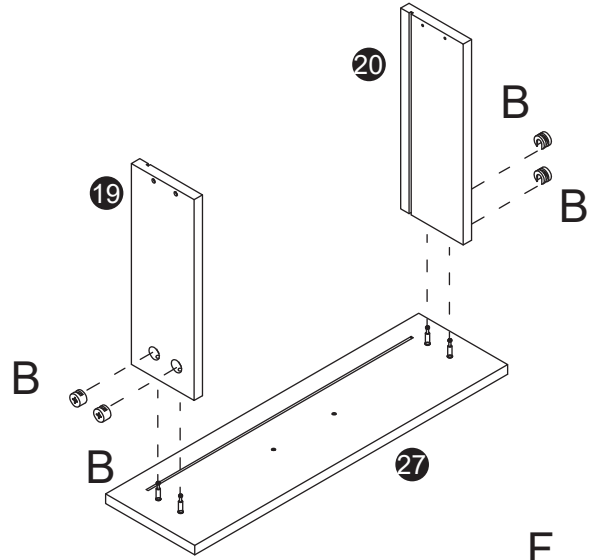
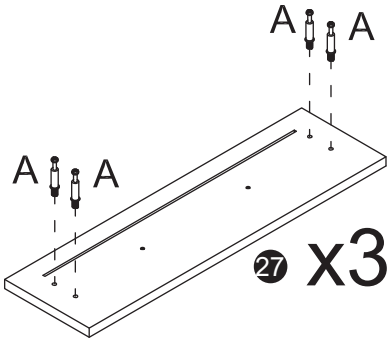
13



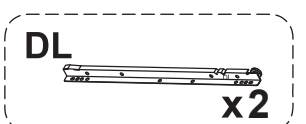
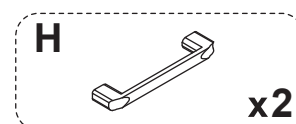
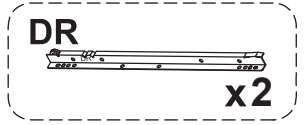
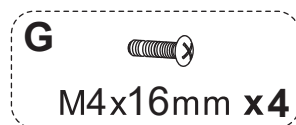
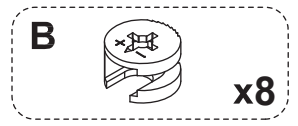
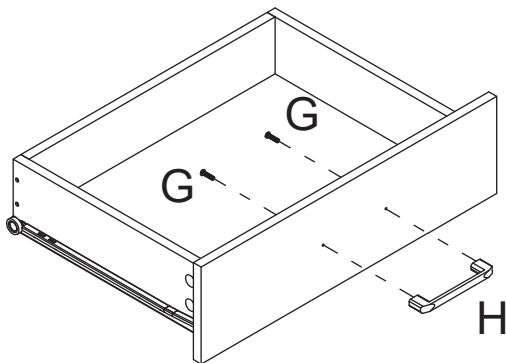
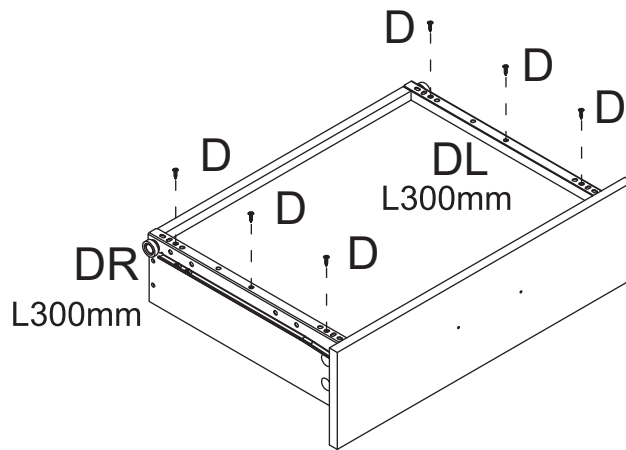
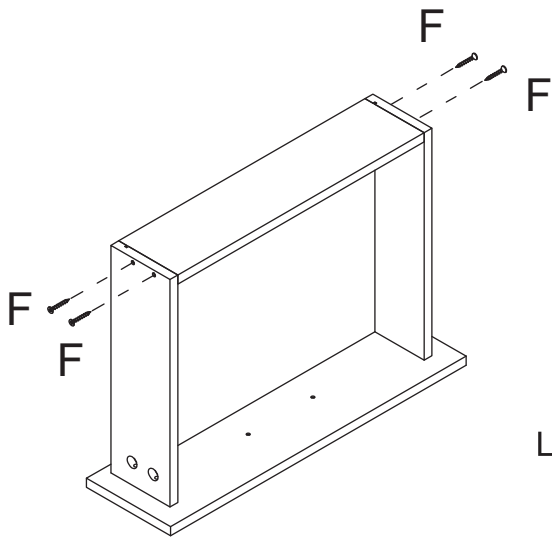
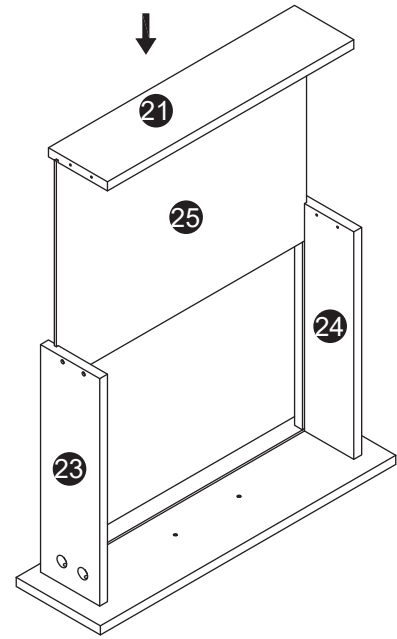
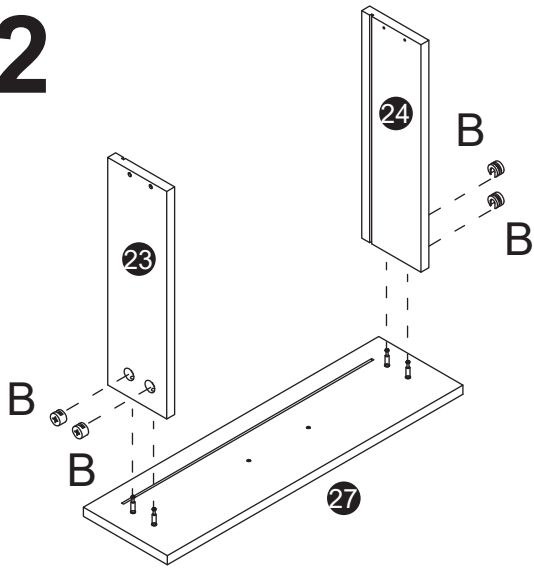




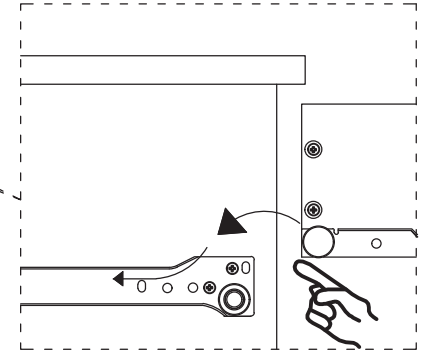
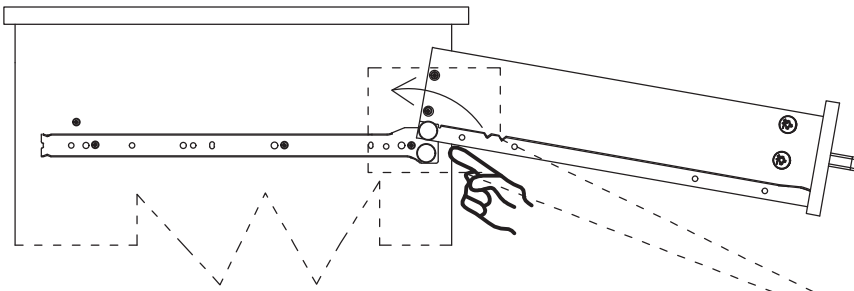




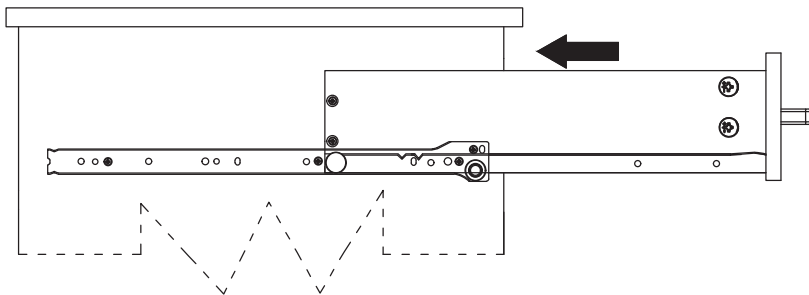
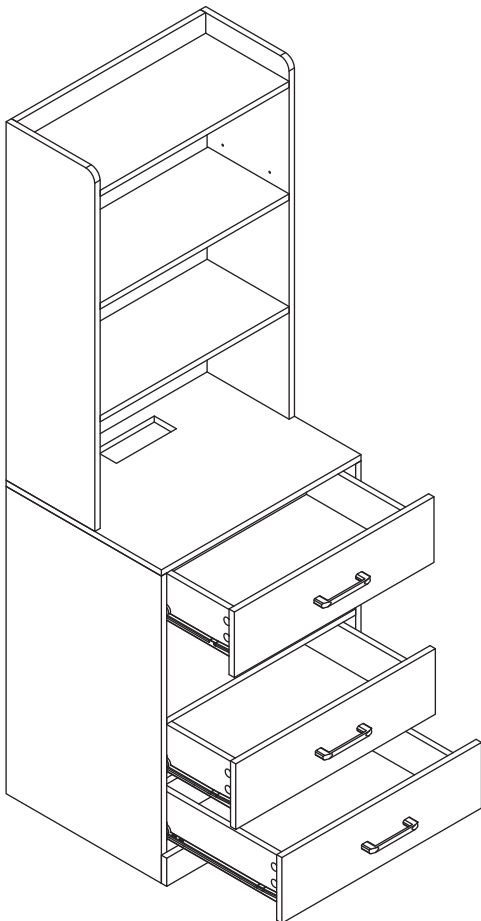
x2





(1)

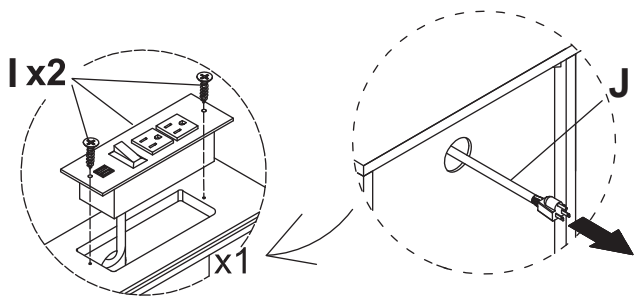
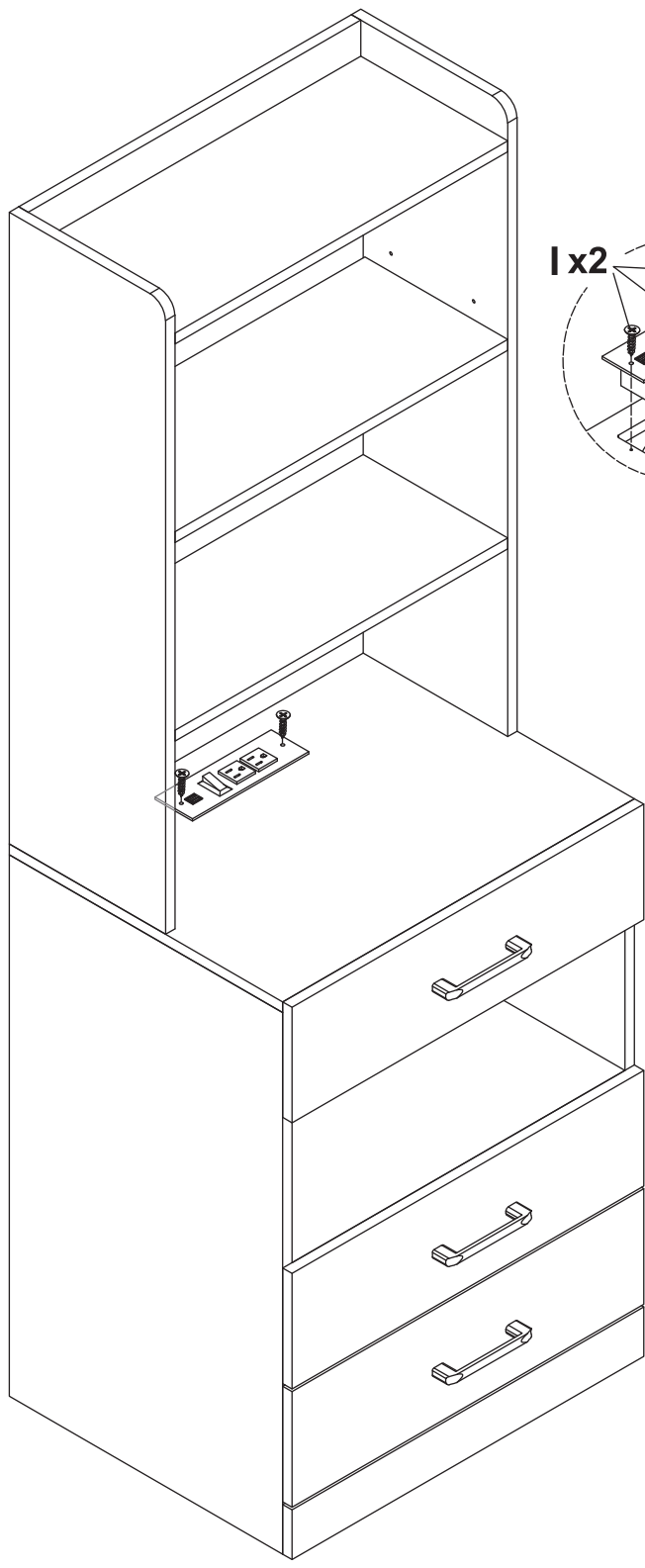


(2)

**x3**

I  M3.5x12mm **X2**

J  **X1**



WALL

I x2

WALL +
drilling hole
Ø6x30mm

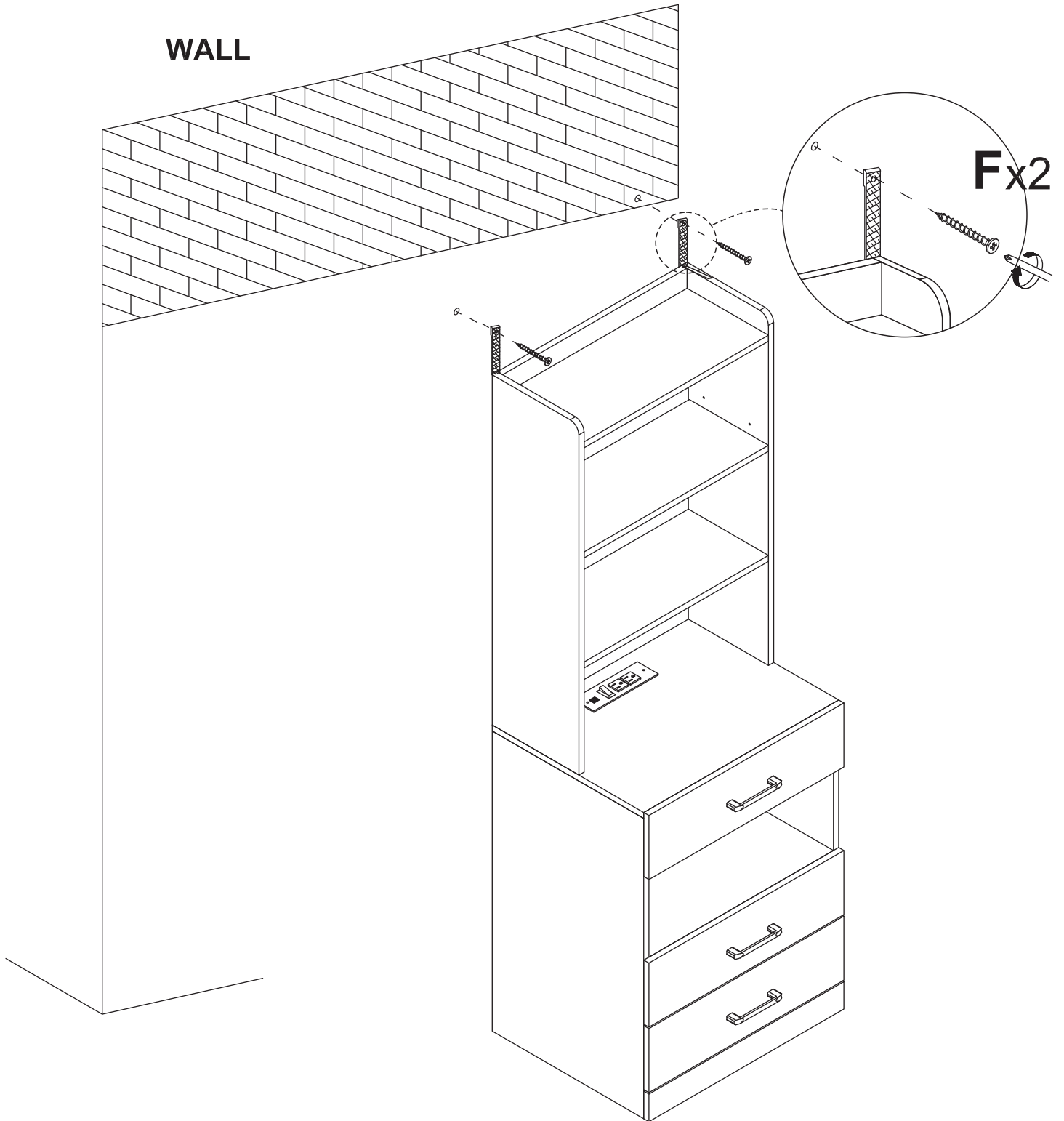
II x2

WALL **L** x2

III x2

F
M4x35mm **X2**

L
X2



Complete!

