

USER GUIDE



INTRODUCTION







These instructions are provided for your safety. Please read them carefully before commencing.

IMPORTANT SAFETY INFORMATION

- Due to small parts keep children clear during assembly.
- Carefully layout all the parts on a clean, flat surface and compare with the parts checklist.
- Please retain all packaging until you are sure no parts are missing, then once you are satisfied with the product please dispose of all packaging responsibly.

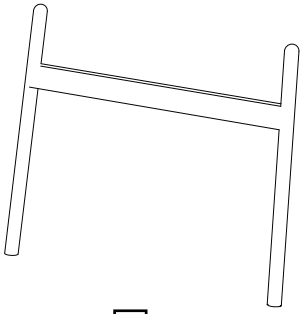
- During assembly take care not to overtighten the bolts.
- When positioning your furniture ensure the ground is firm, level and dry.
- Take care when handling or moving furniture. Always lift with assistance to avoid damaging your product and maintain personal safety.
- Do not stand, jump or climb on the seat.
- Do not sit, stand or climb on the table.
- Ensure all fittings are fully tightened before use and checked regularly and re-tightened as necessary.

FIXINGS LIST

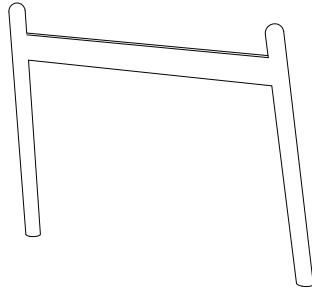
Piece	Description	Illustration	Quantity
A	M6x20mm		x32
B	M6x45mm		x20
C	M6x50mm		x4
D	M6		x56
E	M6		x56
F	M6		x1

* Assembly tools provided.

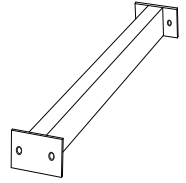
PARTS LIST



1 x 4

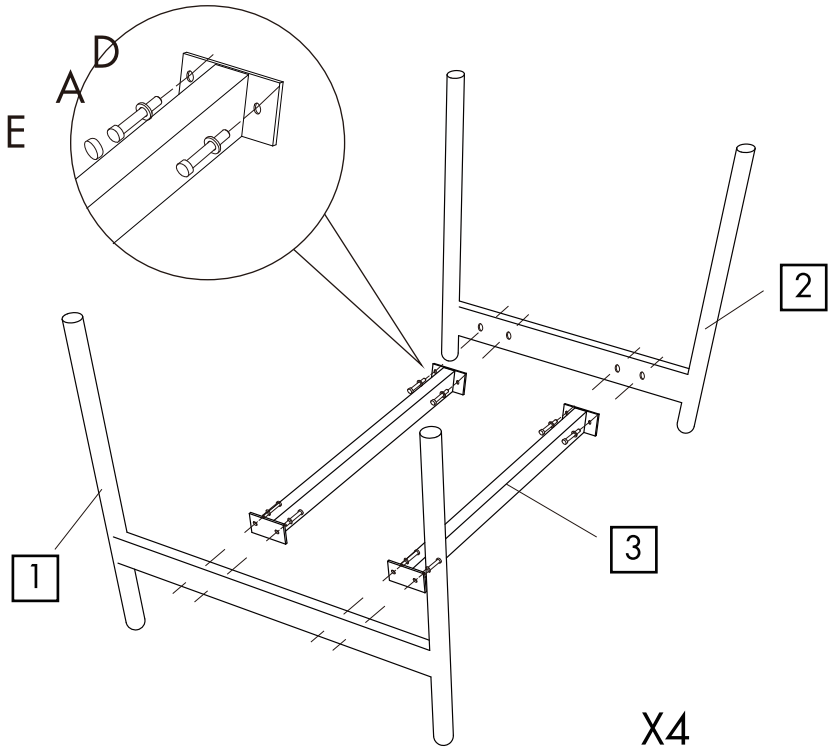


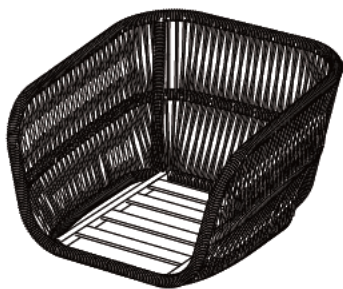
2 x 4



3 x 8

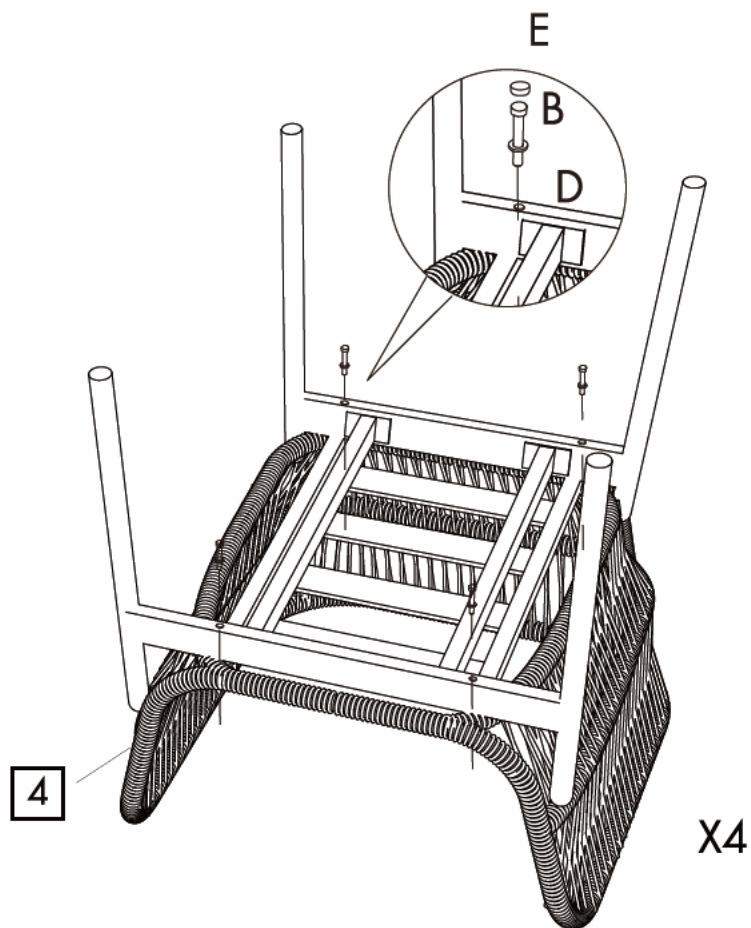
ASSEMBLY INSTRUCTIONS - STEP 1

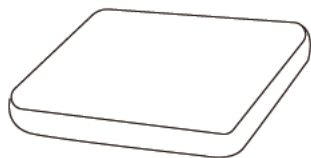




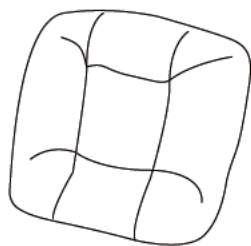
4 x 4

ASSEMBLY INSTRUCTIONS - STEP 2



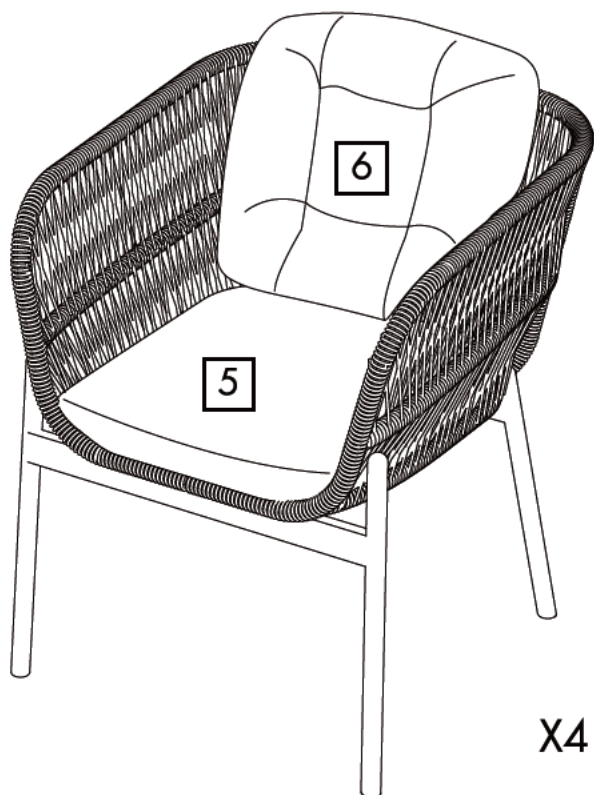


5 x 4



6 x 4

ASSEMBLY INSTRUCTIONS - STEP 3



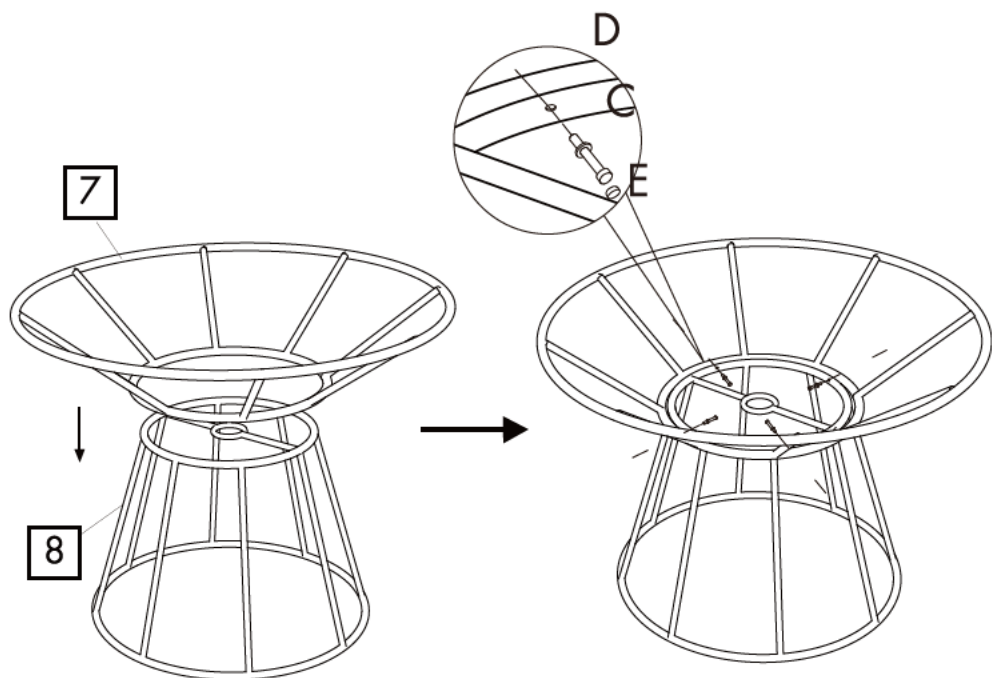


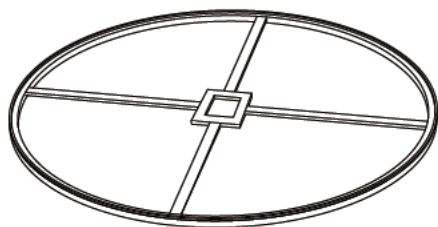
7 x 1



8 x 1

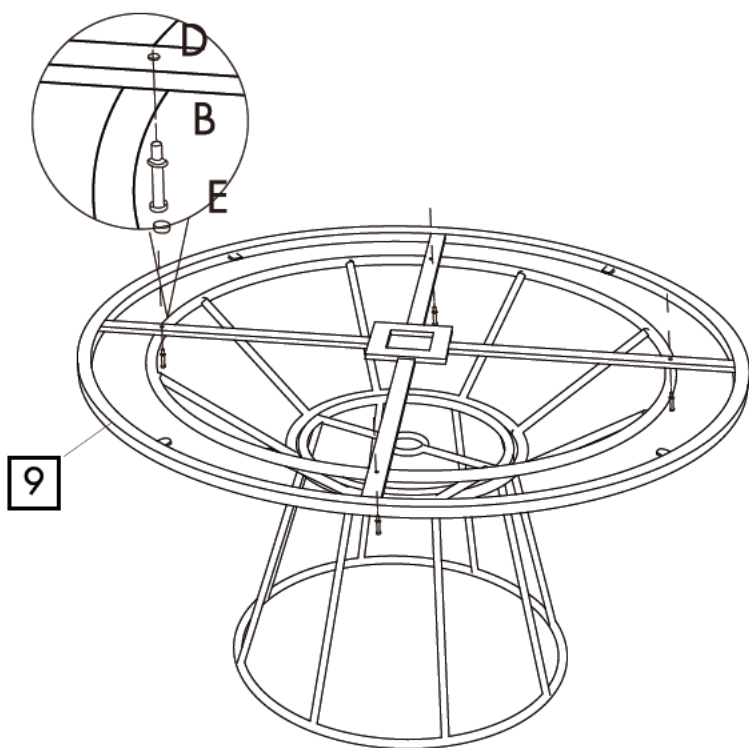
ASSEMBLY INSTRUCTIONS - STEP 4

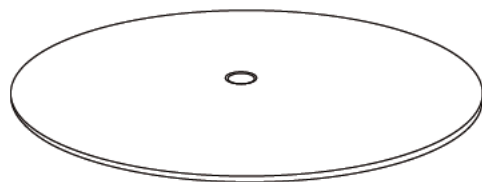




9 x 1

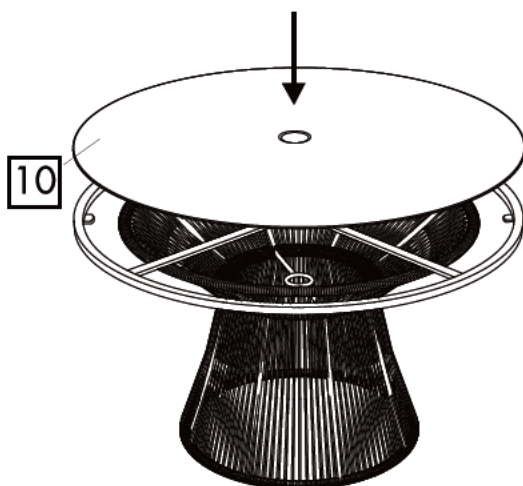
ASSEMBLY INSTRUCTIONS - STEP 5





10 x 1

ASSEMBLY INSTRUCTIONS - STEP 6



Material Properties

This set is constructed from a weave made from synthetic materials; this means it is weather resistant, supple and tear resistant. The frame is made from Aluminium, a durable and sturdy material.

Cleaning and Aftercare

This low maintenance set will require little upkeep apart from cleaning. You can do this by simply wiping over the entire set using warm water with a sponge or soft cloth or hose the set down using relatively low pressure. Allow the set to fully dry. We recommend you avoid using a foaming product to clean the set because the residue may get trapped in the weave. Do not use bleach, acid or any other solvents on the set.

When not in use store the cushions in a dry and covered place. Do not leave them out in the rain, and ensure they are not exposed to too much sunlight because they may fade.

If necessary, sponge clean the cushions or remove covers and wash as per the washing instructions on the care label.

To prolong the life of your set, cover it with a patio furniture cover when it is not in use - this will keep it dry and protected against the elements. When you come to the end of the summer season, store the set in a dry, protected place. Remember, do not store the cushions in a polythene bag because this may cause them to develop mould.

Should you choose to use a parasol with this set, then please remember that parasols should never be left outside unattended. Even light winds can push a parasol over risking damage to the tabletop. Always secure your parasol in a base and never leave outside unattended.