

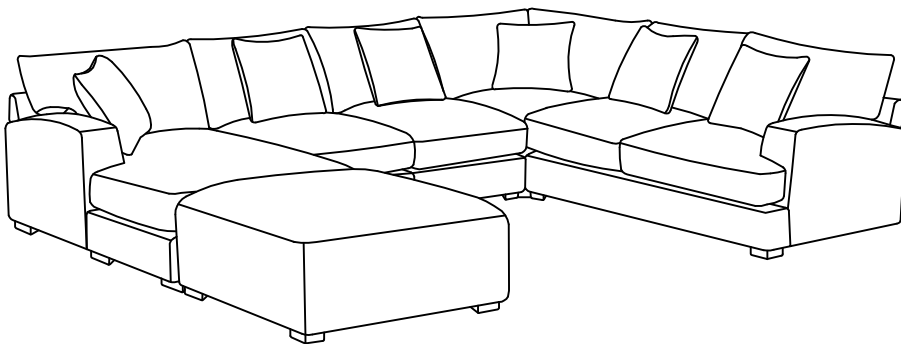
ASSEMBLY INSTRUCTIONS

TOOLS REQUIRED



Phillips
Screwdriver

(Not Included)



2 - People
Recommended

ASSEMBLY RATING



EASY → DIFFICULT

The Assembly Rating is a 5-point system showing the level of effort needed to assemble a specific product.



CHECK BEFORE STARTING

Are you missing anything?

Double-check all parts, hardware and accessories listed on Page 6 are accounted for.

Check out our Quick Tips!

We recommend reviewing the pre-assembly handouts. Even experts need a refresher now and then!

Should we send any replacements?

Are there any irregularities or flaws in the parts? We can send replacements!

Prep Time!

Please review the assembly instructions and all diagrams prior to assembling. Arrange parts as recommended on Page 7 and group identical hardware together to make assembling easier.

PRE ASSEMBLY INTRODUCTION

We understand building ready-to-assemble furniture can be a challenging experience for some. To help avoid confusion, we have provided some helpful tips that may speed up the process.



Teamwork

ALWAYS have at least two people to help with transporting and assembling the product to avoid potential injury and/or damage.



Suitable Location

Assembling near the area of the intended location is highly recommended.



Sufficient Space

Make sure you have enough space to move around during the assembly.



Avoid Scratches

Use cardboard, blankets or a carpeted area while assembling furniture to prevent scratches.



Flat Surface

Make sure the furniture rests on a flat and level surface with each leg evenly touching the floor.

ASSEMBLY AND CARE ADVICE



FAILURE TO FOLLOW THE GUIDELINES BELOW MAY RESULT IN INJURY AND/OR PROPERTY DAMAGE.



Position each part correctly and insert screws or bolts into their respective holes.



Turn clockwise to tighten and only tighten when step is completed or when instructed to do so.



Use the appropriate hand tools or power tools for assembly. Select steps, such as tightening screws and/or bolts, may require hand tools to avoid causing damage during assembly.



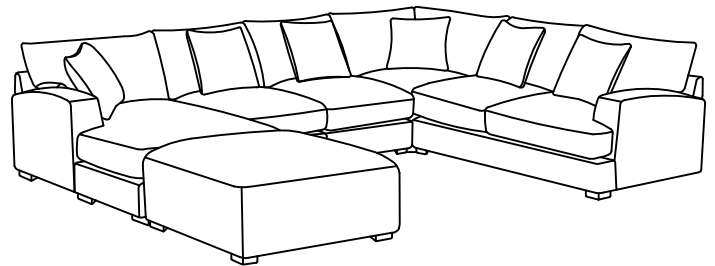
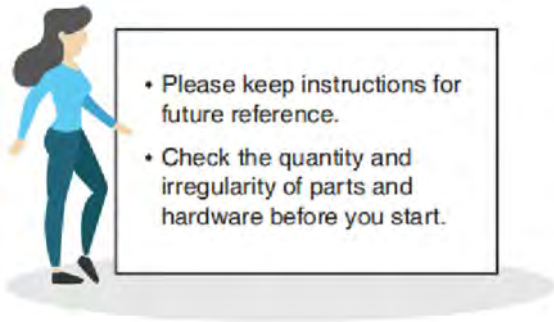
Save the instructions and store any supplied tools for later maintenance.



After two weeks, check and tighten any loose hardware and repeat again every six months thereafter.

IT IS THE USER'S RESPONSIBILITY TO MAINTAIN THE FURNITURE. THE HARDWARE MAY LOOSEN OVER TIME AND MAY CAUSE THE FURNITURE TO BE WOBBLY AND UNABLE TO SUPPORT ITS INTENDED WEIGHT CAPACITY. THIS MAY LEAD TO COLLAPSE AND MAY CAUSE SERIOUS INJURY.

SOFA



PARTS

#1 1pc



Royal Chair

#2 2pcs



Seat

#3 1pc



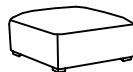
Corner

#4 1pc



Right Sofa

#5 1pc



Ottoman

#6 1pc



Royal Chair Back Cushion

#7 3pcs



Back Cushion

#8 1pc



Corner Left Back Cushion

#9 1pc



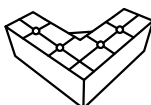
Corner Left Back Cushion

#10 1pc



Right Sofa Side Back Cushion

#11 25pcs



Leg

#12 6pcs



Pillow





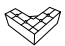


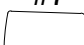

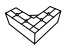

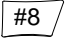





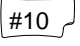

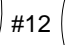
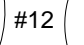





HARDWARE

ⓐ 100pcs



Screw

packed in 6 cases

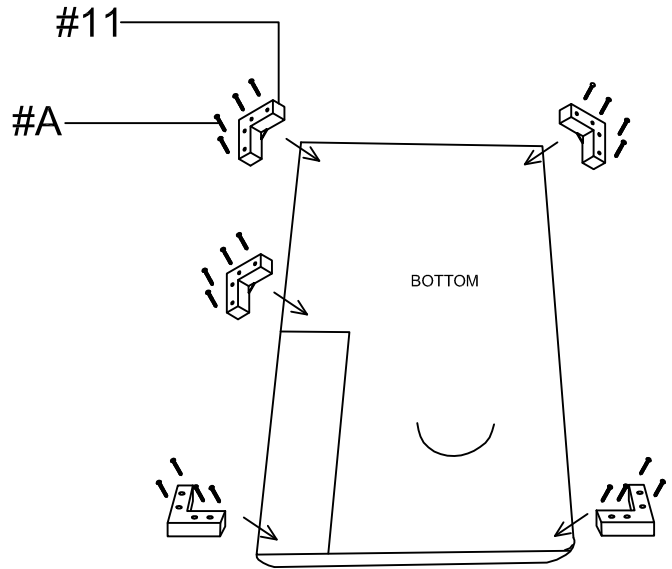
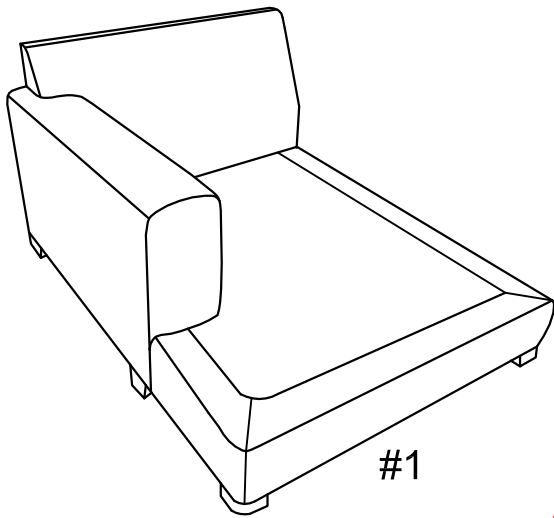
Carton	Designation	Part		Hardware
1	Royal Chair	#1 	#12  #6 	 x 20pcs  x 5pcs
2 (2 carton)	Seat	#2  x 2	#12  #7  x 2	 x 16pcs x 2  x 4pcs x 2
3	Corner	#3 	#8  #9  #12 	 x 16pcs  x 4pcs
4	Right Sofa	#4 	#10  #7  #12  #12 	 x 16pcs  x 4pcs
5	Ottoman	#5 		 x 16pcs  x 4pcs

ASSEMBLY INSTRUCTIONS

PARTS AND HARDWARES MAY BE STORED AT THE BOTTOM COMPARTMENTS OF SEAT FRAMES (#1-5).

1

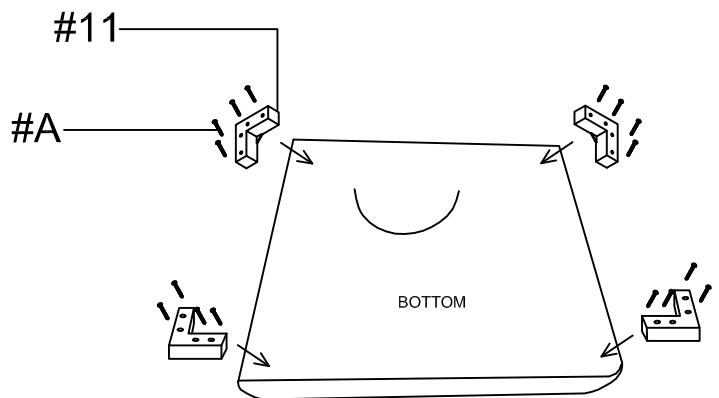
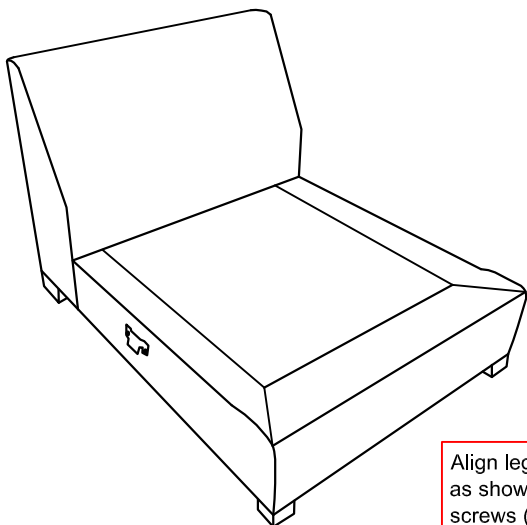
- Part #1 x1pc
- Part #11 x 5pcs
- Hardware #A x20pcs



Align legs (#11) to the bottom wooden frames of the royal chair (#1) as shown in the picture, then secure by directly screwing in screws (#A). There will be no pre-drilled holes.

2

- Part #2 x1pc
- Part #11 x 4pcs
- Hardware #A x16pcs



Align legs (#11) to the bottom wooden frames of the seat (#2) as shown in the picture, then secure by directly screwing in screws (#A). There will be no pre-drilled holes.

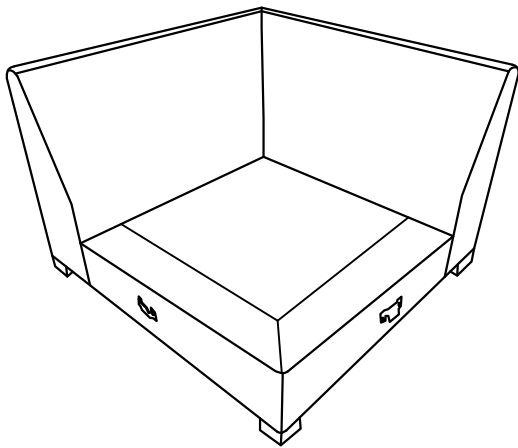
X 2

#2

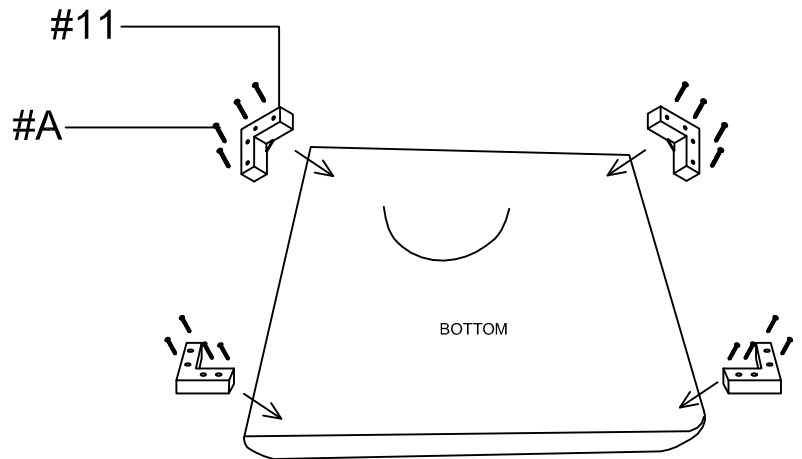
ASSEMBLY INSTRUCTIONS

- 3 Part #3 x1pc
Part #11 x 4pcs
Hardware #A x16pcs

Align legs (#11) to the bottom wooden frames of the corner seat (#3) as shown in the picture, then secure by directly screwing in screws (#A). There will be no pre-drilled holes.

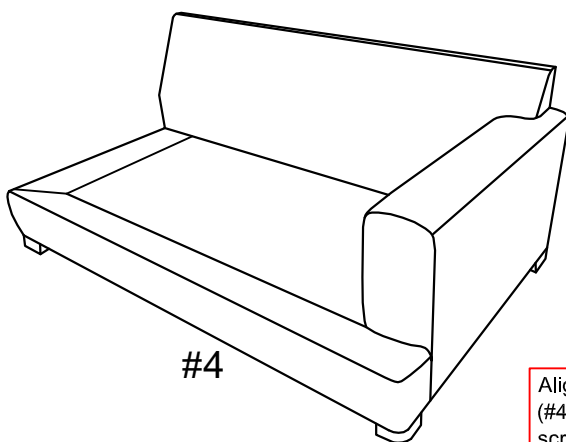


#3

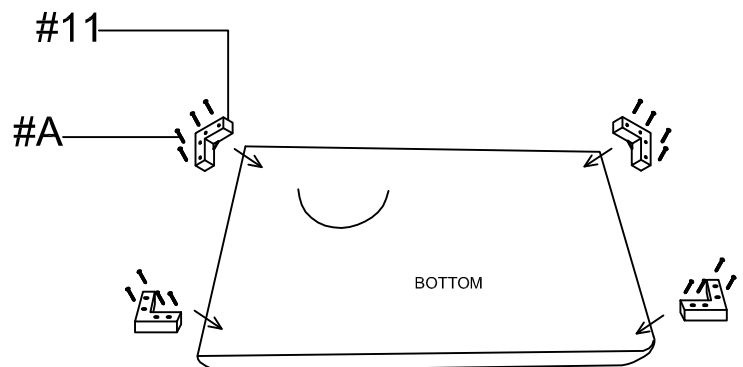


- 4 Part #4 x1pc
Part #11 x 4pcs
Hardware #A x16pcs

Align legs (#11) to the bottom wooden frames of the right sofa (#4) as shown in the picture, then secure by directly screwing in screws (#A). There will be no pre-drilled holes.



#4



ASSEMBLY INSTRUCTIONS

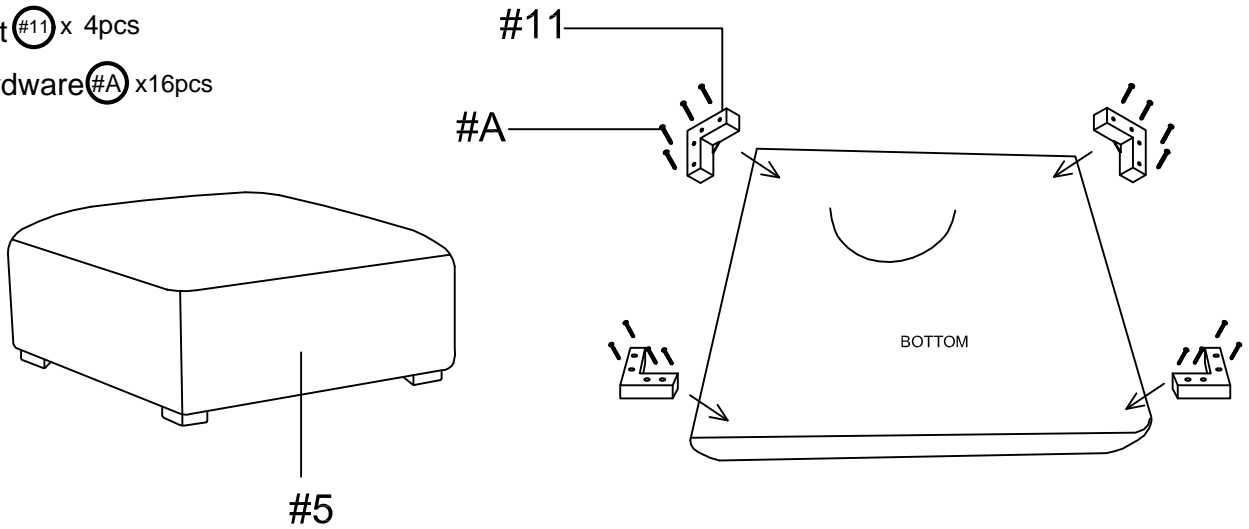
5

Part #5 x1pc

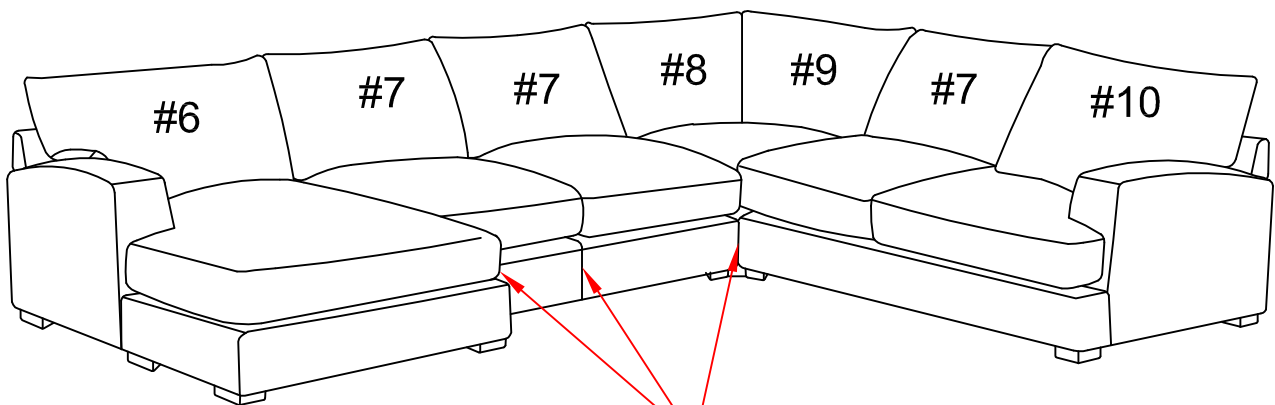
Part #11 x 4pcs

Hardware #A x16pcs

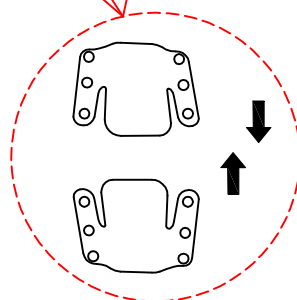
Align legs (#11) to the bottom wooden frames of the ottoman (#5) as shown in the picture, then secure by directly screwing in screws (#A). There will be no pre-drilled holes.



6

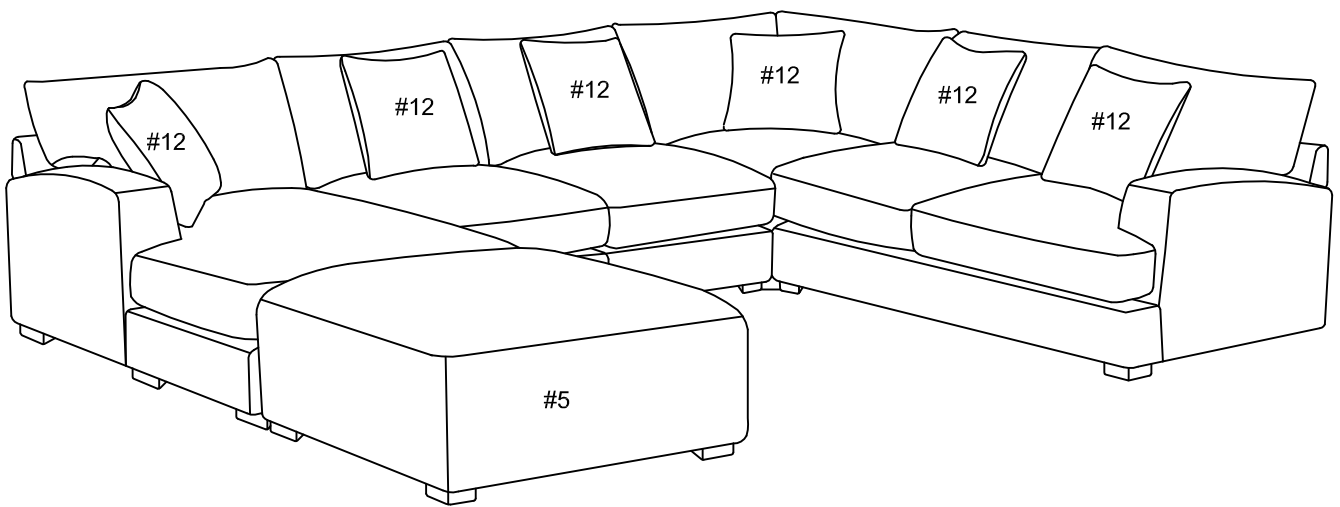


Align and hook the metal brackets of the seats together.



ASSEMBLY INSTRUCTIONS

7



ASSEMBLY COMPLETED



Please ensure the furniture rests on an even and flat surface. If the product wobbles or feels loose, double-check all bolts and/or screws are properly tightened and secured.



Keep this handy!

Please retain this instruction manual and any order-related information for future reference.



Lift, don't drag!

To avoid damage to product please always LIFT the product when transporting or adjusting the placement.