

VESA Plate Kit for Monitor Stand

SKU: PT-SD-VA02A

Instruction Manual



! CAUTION! !

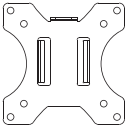
If you do not understand these directions, or if you have any doubts about the safety of the installation, please contact our product support team at 309-278-5303 or help@vivo-us.com for further assistance. Check carefully to make sure there are no missing or defective parts. Improper installation may cause damage or serious injury. Do not use this product for any purpose that is not explicitly specified in this manual. Do not exceed weight capacity. We cannot be liable for damage or injury caused by improper mounting, incorrect assembly or inappropriate use.



WARNING: CHOKING HAZARD

SMALL PARTS - NOT FOR CHILDREN UNDER 3 YEARS. ADULT SUPERVISION IS REQUIRED.

Package Contents



A (x1)
VESA Plate

Included Hardware & Tools



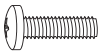
M-A (x4)
M4x12mm
Screw



M-B (x4)
M4x16mm
Screw



M-C (x4)
M5x12mm
Screw



M-D (x4)
M5x16mm
Screw



M-E (x4)
Washer



M-F (x4)
Spacer

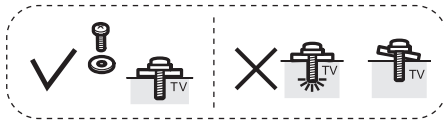
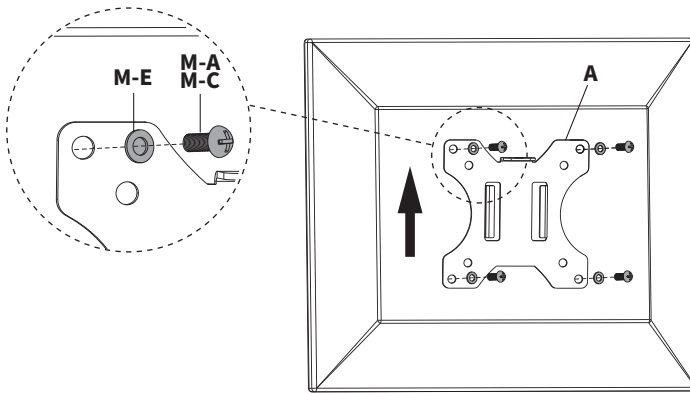
Tools Needed:



**Phillips
Screwdriver**

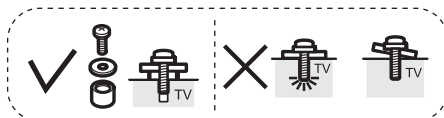
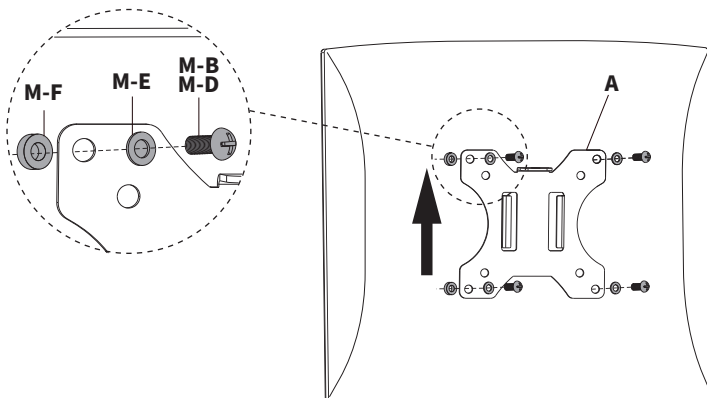
Flat Monitor Assembly

Attach VESA Plate (**A**) to your monitor using appropriate Screws (**M-A**, **M-C**) and Washers (**M-E**).



Curved Monitor Assembly

Attach VESA Plate (**A**) to your monitor using appropriate Screws (**M-B**, **M-D**), Washers (**M-E**), and Spacers (**M-F**).





Need Help? Get In Touch

Monday-Friday from 7:00am-7:00pm CST



help@vivo-us.com



www.vivo-us.com

Chat live with an agent!



309-278-5303



VIVO-us @vivo_us

FOR MORE GREAT VIVO PRODUCTS,
CHECK OUT OUR WEBSITE AT: WWW.VIVO-US.COM