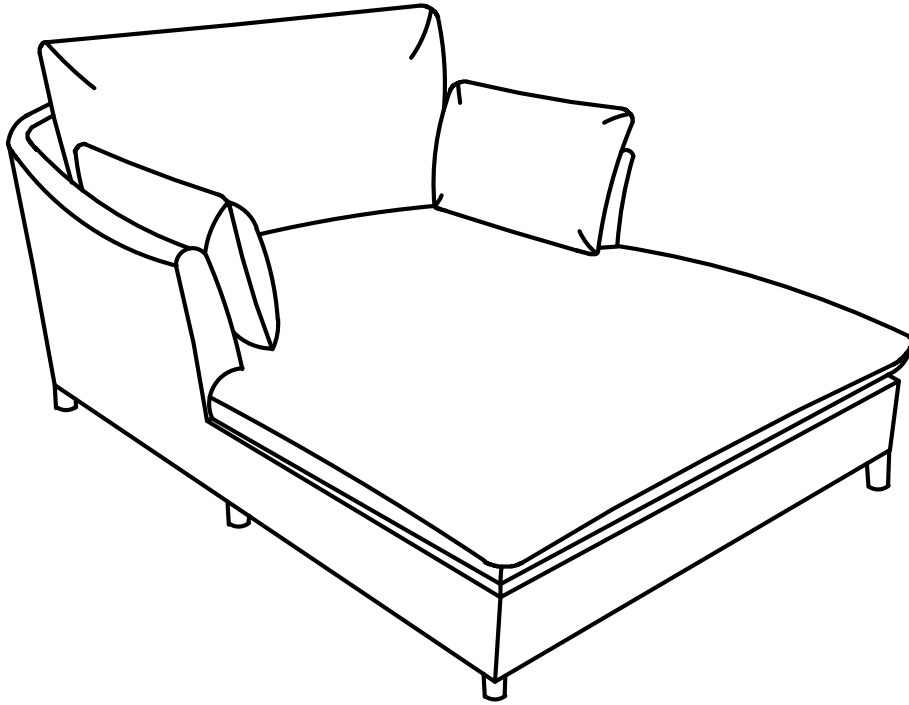


# Assembly Instructions



## IMPORTANT NOTE

\*\*Place all parts on a lean and smooth surface such as a rug or carpet to avoid the parts from being scratched.

\*\*Before you begin, please review the assembly instruction step by step.



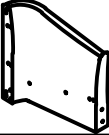

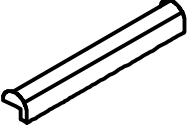

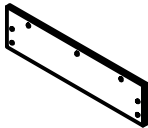
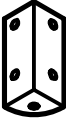
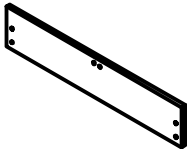

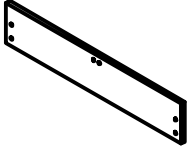
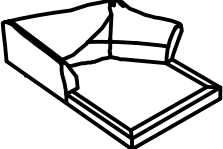
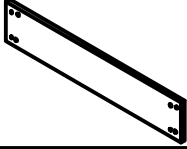
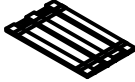

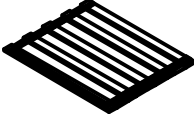
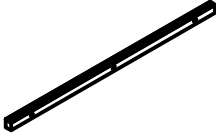


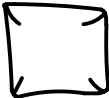
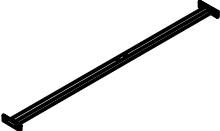
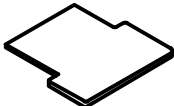
\*\*Return & Warranty Policy:

-We strive to offer the highest quality products. We also provide positive solutions with replacements or refund if needed.

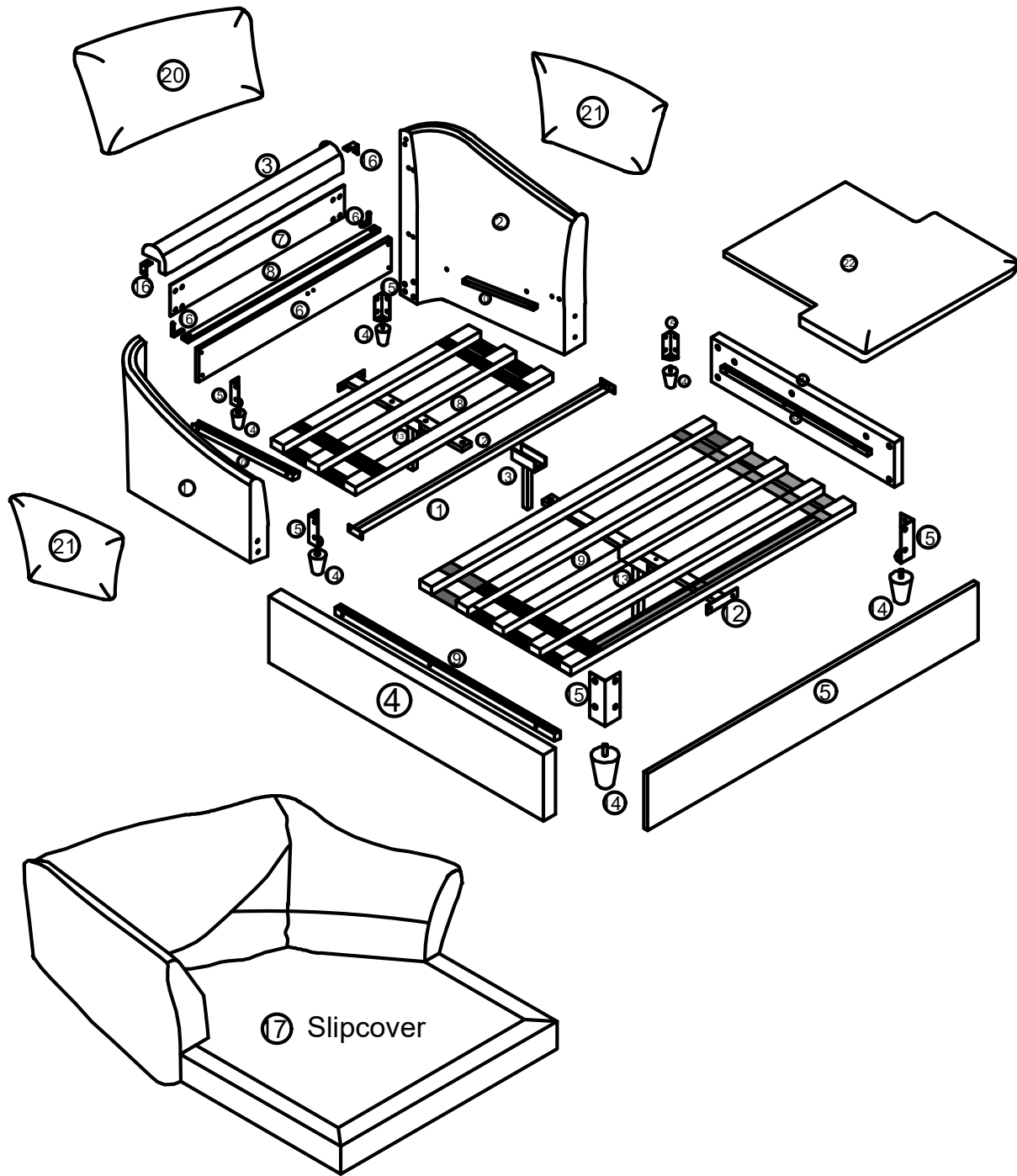
-If the item is damaged or defective, please take photos to show the problem and email to the seller.

-Please do not return back the product before contact the seller.



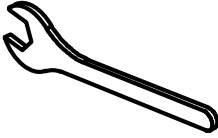


# PART LISTS BOX 1

Part NO.	Part Image	Part Name	QTY	Part NO.	Part Image	Part Name	QTY
①		Left Armrest	1	②		Middle iron support bar	2
②		Right Armrest	1	③		metal feet	3
③		Backrest	1	④		Plastic Foot	6
④		Bezel	2	⑤		Foot hardware	6
⑤		Bezel	1	⑥		Iron reinforcement plate	8
⑥		Bezel	1	⑦		Sofa Slipcover	1
⑦		Backrest	1	⑧		Sofa Batten	1
⑧		Bezel	1	⑨		Sofa Batten	1
⑨		Pine Strip	2	⑩		Back Cushion	1
⑩		Pine Strip	2	⑪		Back Cushion	1
⑪		Middle iron support bar	1	⑫		Sofa Seat Cushion	1

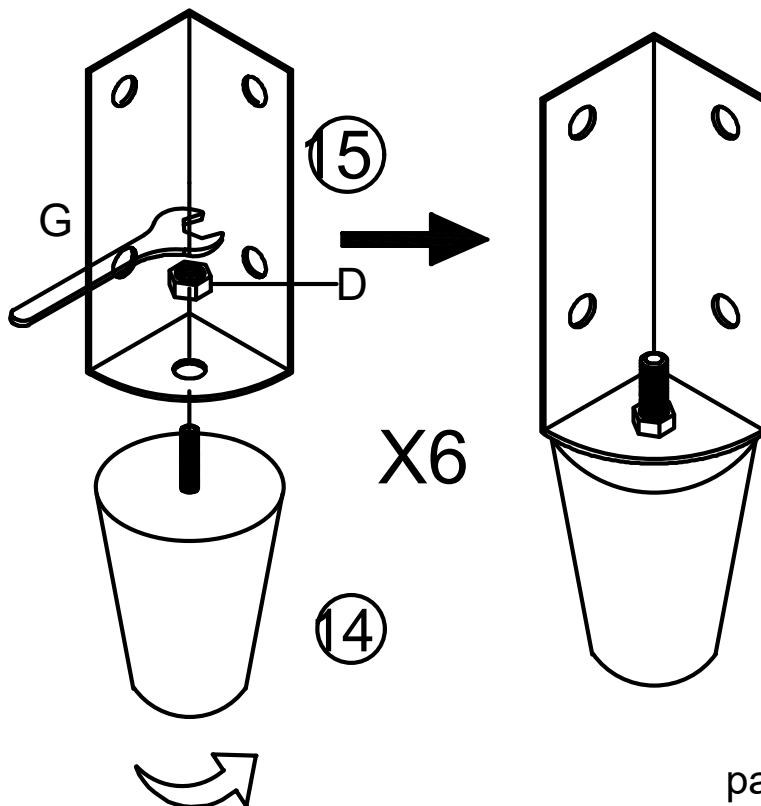
# Sofa Overall Assembly Drawing


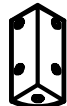



# Hardware List

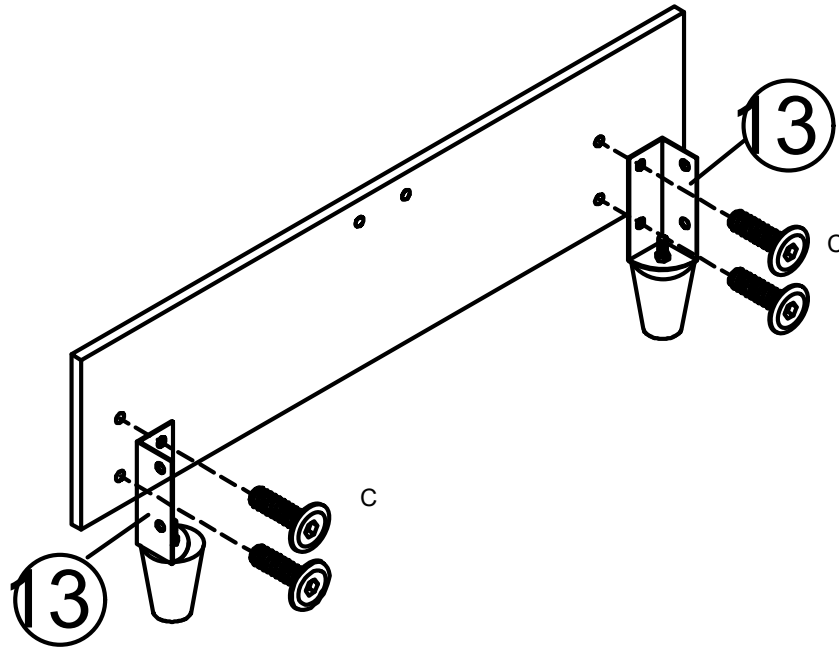
<p>Ax12+1 PCS</p>  <p>5/16X35mm</p>	<p>Cx20+2 PCS</p>  <p>5/16X15mm</p>	<p>Gx1 PC</p>  <p>5/16</p>
<p>Dx8 Flange Nut</p>  <p>5/16</p>	<p>Fx1 PC</p>  <p>5/16</p>	



## STEP 1



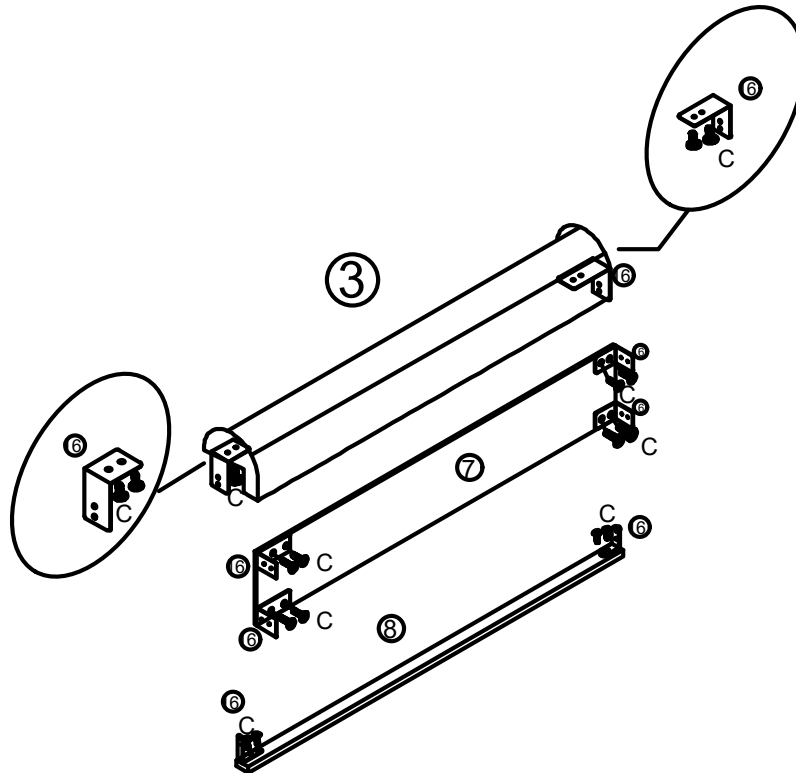
<p>⑭x6</p> 	<p>⑮x6</p> 
<p>Dx8 Flange Nut</p>  <p>5/16</p>	




# STEP 2



Cx4	F x 1
	
5/16X15mm	5/16

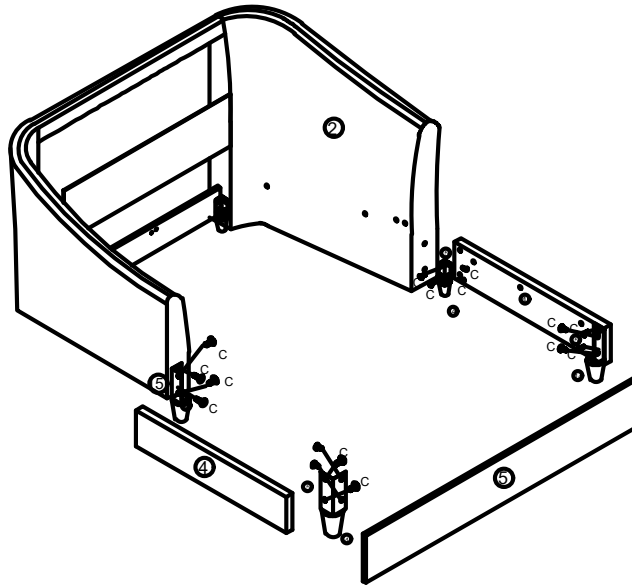
# STEP 3



C x 16	F x 1	Iron reinforcement plate
		
5/16X15mm	5/16	6 x 8



# STEP 6



C x 10

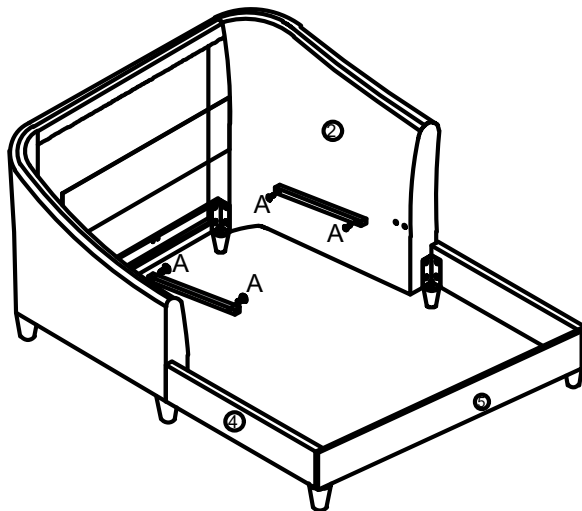
F x 1



5/16X15mm

5/16

# STEP 7



C x 4

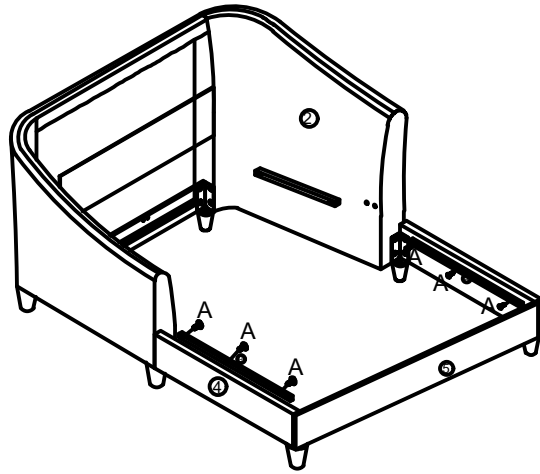
F x 1





5/16X35mm

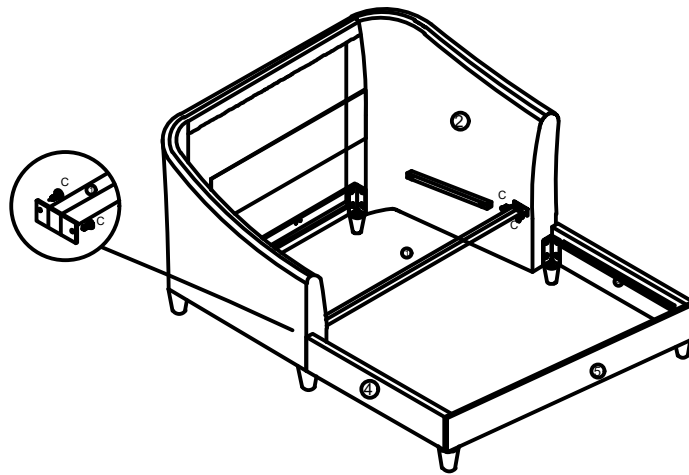
5/16



# STEP 8



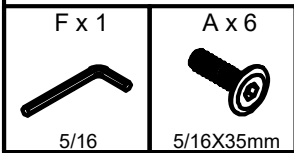
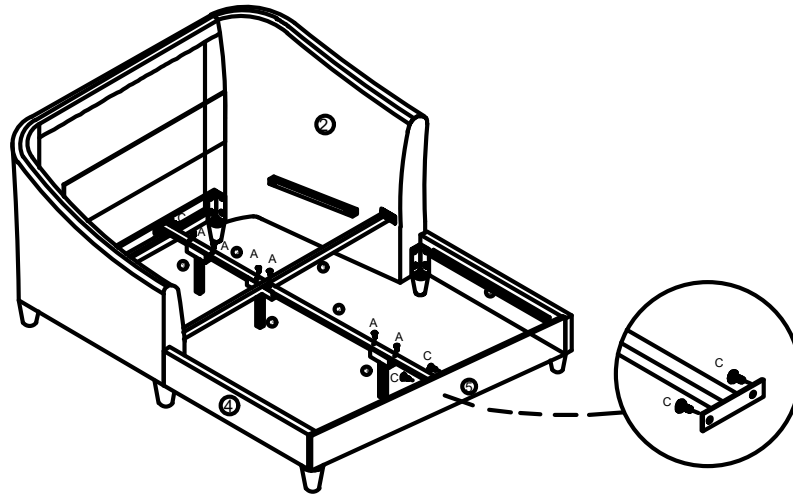
A x 10  5/16X35mm	F x 1  5/16
--	--

# STEP 9

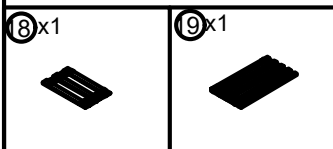
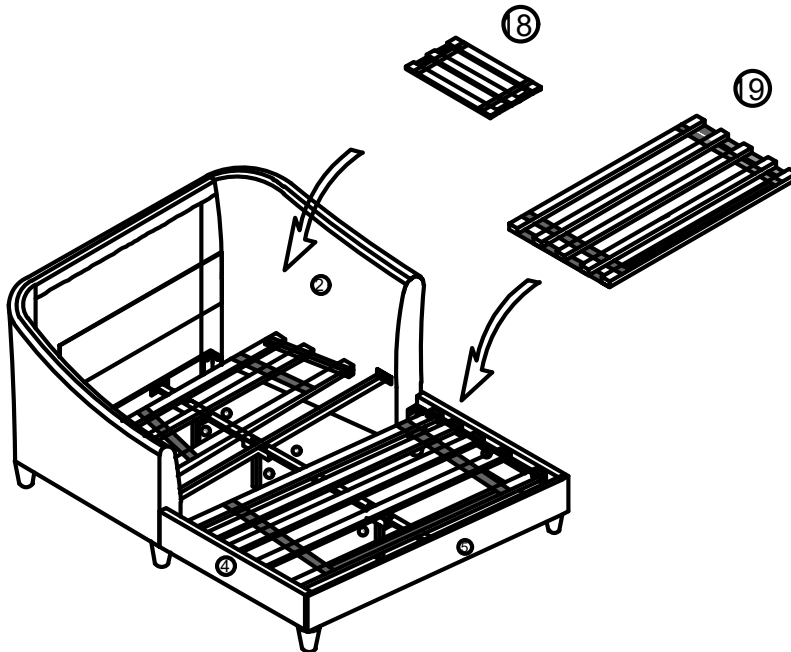


Cx 4  5/16X15mm	F x 1  5/16
--	--

# STEP 10

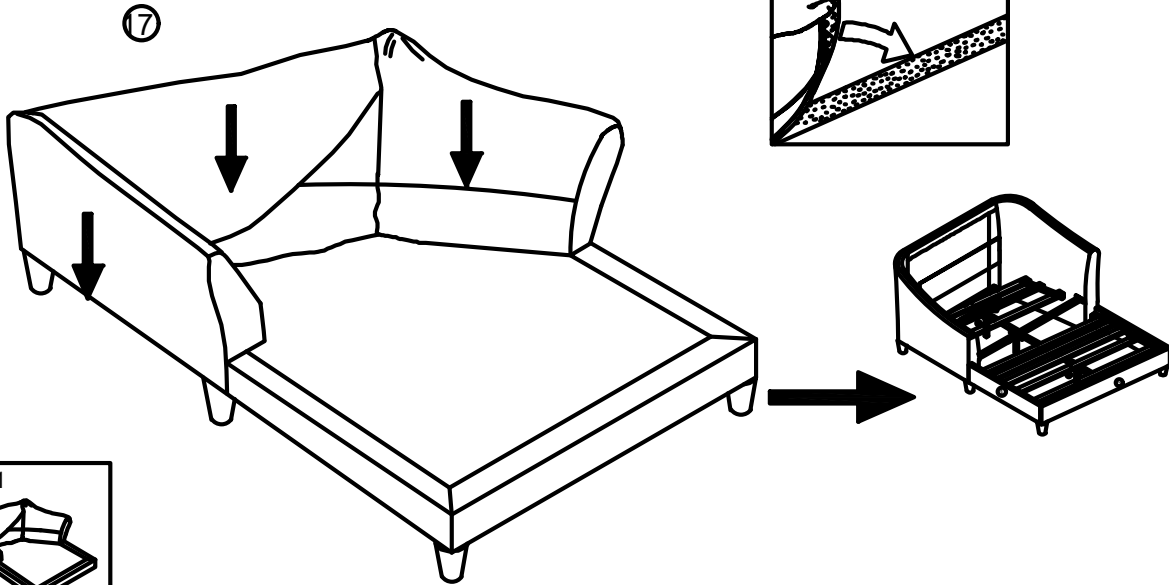


# STEP 11

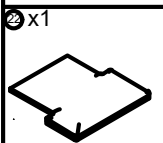
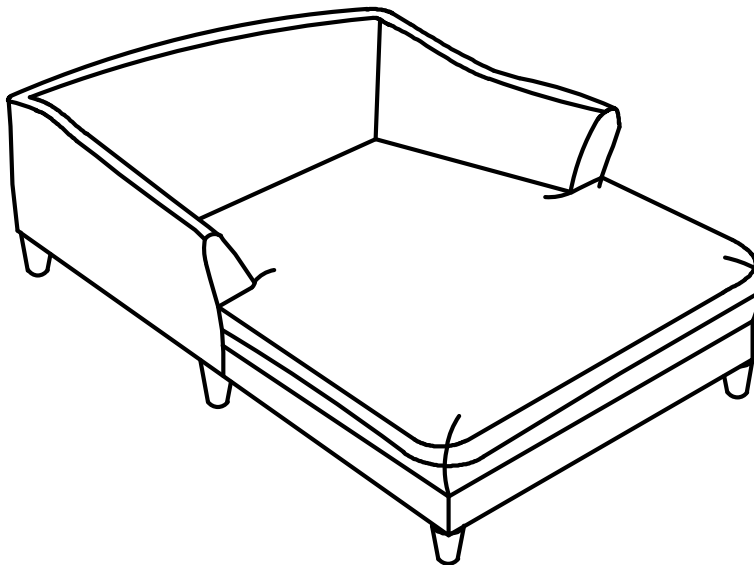


STEP 12 First, unzip the zipper on the Slipcover(8).

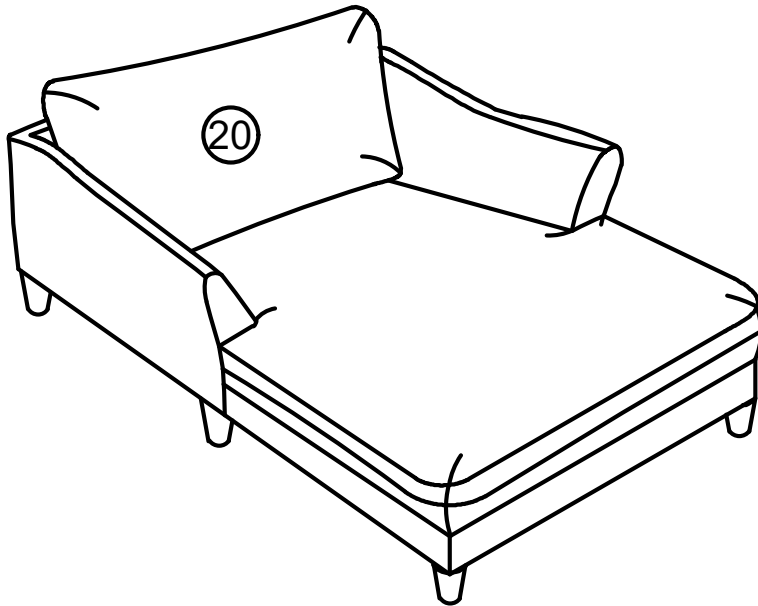
Then, slip the cover onto the sofa. Once the cover is positioned smoothly and fits snugly on the sofa, secure it firmly using the Velcro strips attached to the cover. Finally, close the zipper at the back of the cover.



STEP 13



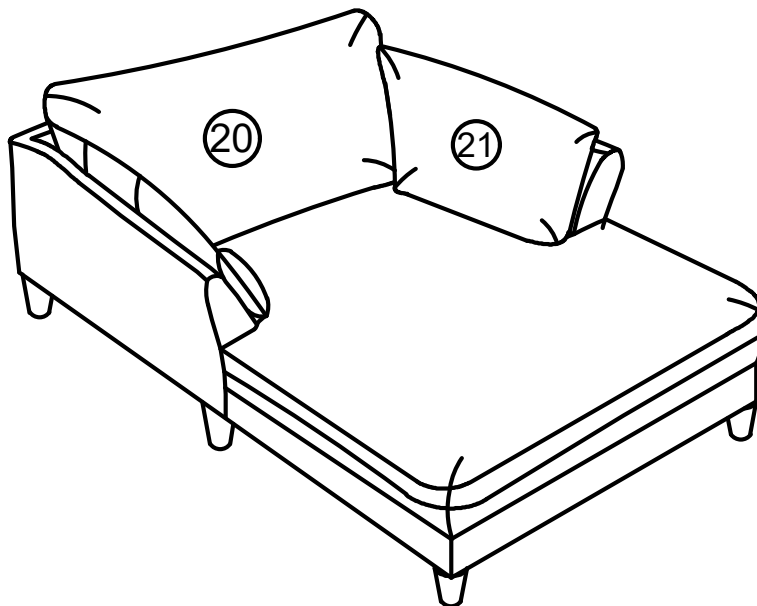
STEP 14



20 x1



STEP 15



7 x2



## STEP 16

The product has compression parts,  
Please pat them by hand and wait 72 hours,  
the cushions will be recover.

