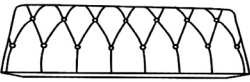
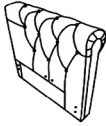
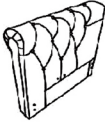

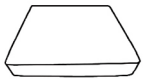
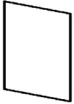
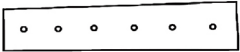


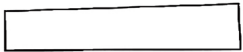


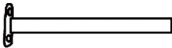
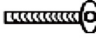

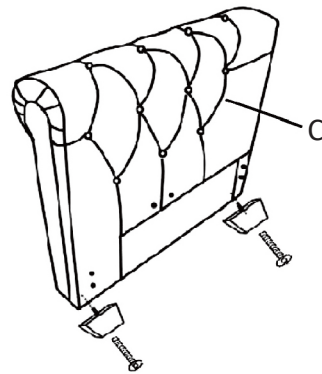
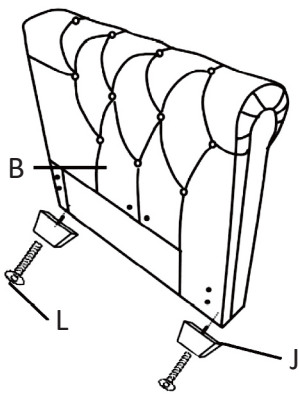
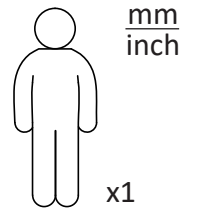
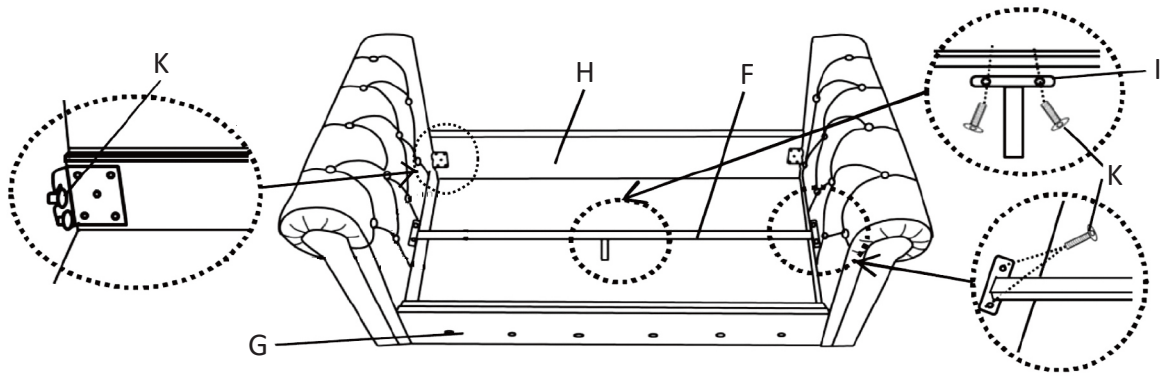


<p>Ax1</p> 	<p>Bx1</p> 	<p>Cx1</p> 	<p>Fx1</p> 	<p>Dx2</p> 
<p>Ex2</p> 	<p>Gx1</p> 	<p>Jx4</p> 	<p>Kx14</p>  <p>M8x$\frac{20}{0.8}$</p>	<p>Hx1</p> 
<p>Lx4</p>  <p>M8x$\frac{60}{2.4}$</p>	<p>Mx8</p>  <p>M4x$\frac{15}{0.6}$</p>	<p>Ix1</p> 	<p>Nx4</p>  <p>M8x$\frac{35}{1.4}$</p>	<p>Ox1</p>  <p>M6</p>

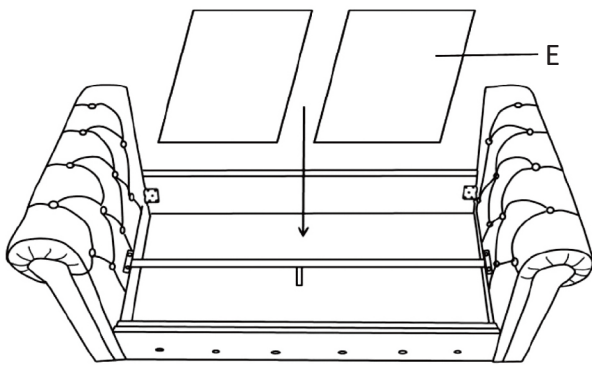
①



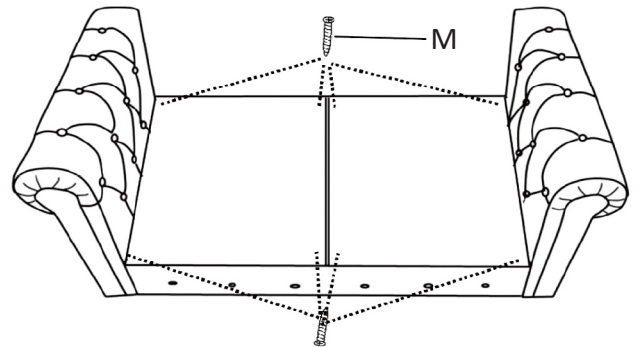
2



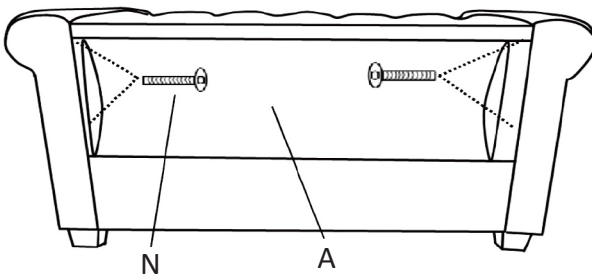
3



4



5



6

