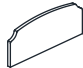


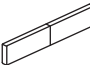

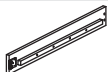
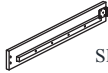













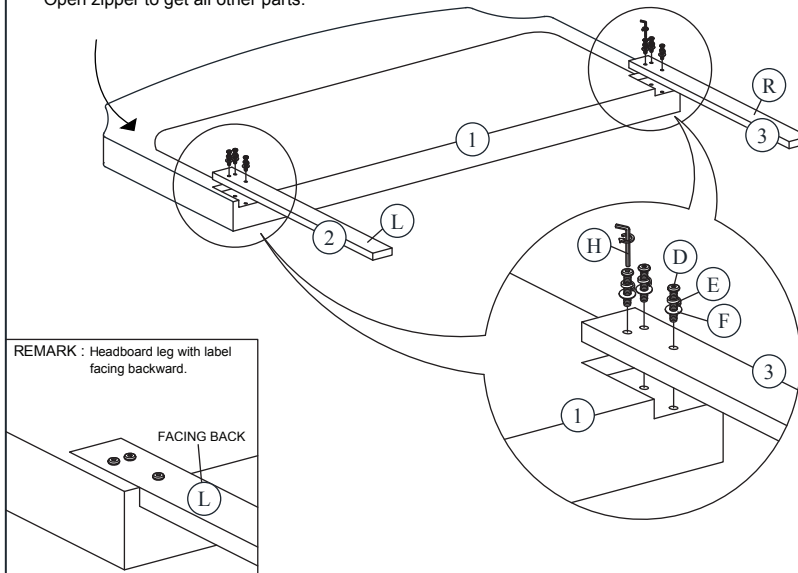


ASSEMBLY INSTRUCTION

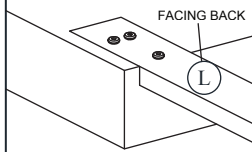
NO	PARTLIST	QTY
1	 HEADBOARD 1PC	1PC
2	 HEADBOARD LEG WITH LABEL "L" 1PC	1PC
3	 HEADBOARD LEG WITH LABEL "R" 1PC	1PC
4	 FOOTBOARD 1PC	1PC
5	 FOOTBOARD 2PCS	2PCS
6	 SIDE RAIL (L) 2PCS	2PCS
7	 SIDE RAIL (R) 2PCS	2PCS
8	 SIDE RAIL LEG 2PCS	2PCS
9	 SLAT 2SETS	2SETS
10	 CENTRA SUPPORT 2PCS	2PCS
11	 SUPPORT LEG WITH ADJUSTABLE FEET 4PCS	4PCS
ITEM	HARDWARE	QTY
A	 JCBB SCREW M8 x 20MM 8PCS	8PCS
B	 JCBC SCREW M6 x 15MM 6PCS	6PCS
C	 JCBC SCREW M6 x 35MM 8PCS	8PCS
D	 JCBC SCREW M6 x 50MM 10PCS	10PCS
E	 SPRING WASHER M6 x 12MM 14PCS	14PCS
F	 FLAT WASHER M6 x 19MM 14PCS	14PCS
G	 SCREW M4 x 32MM 8PCS	8PCS
H	 L - KEY M4 x 100MM 1PC	1PC
I	 L - KEY M5 x 65MM 1PC	1PC

STEP 1

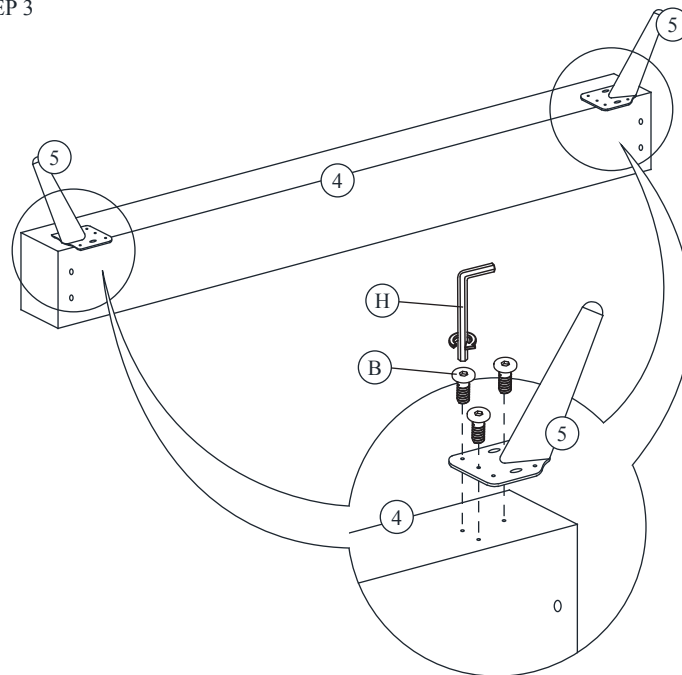
Open zipper to get all other parts.



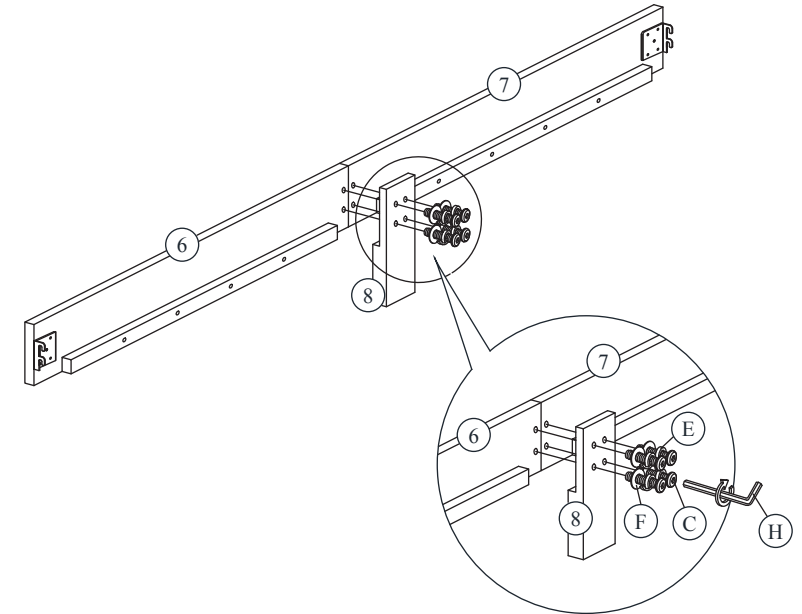
REMARK : Headboard leg with label facing backward.



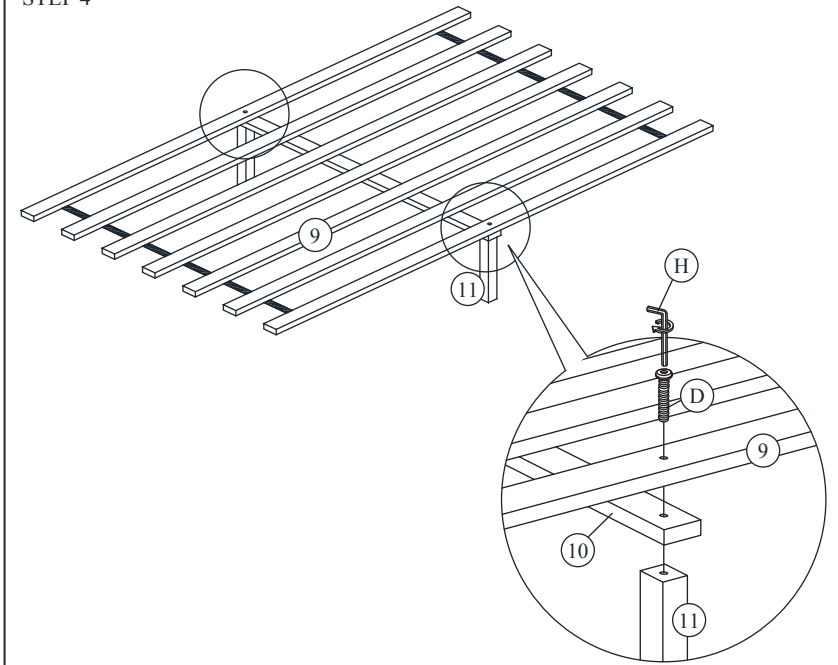
STEP 3



STEP 2

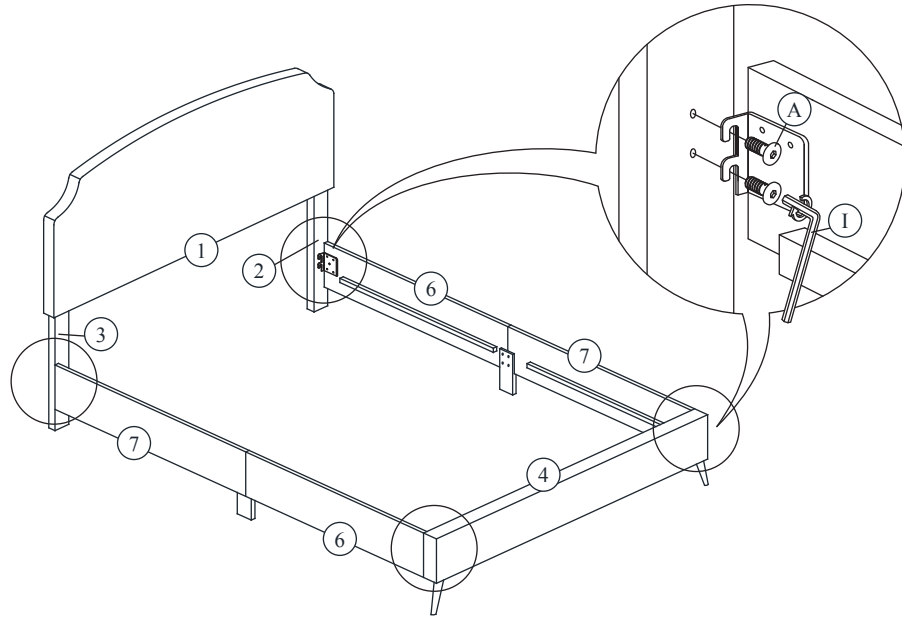


STEP 4

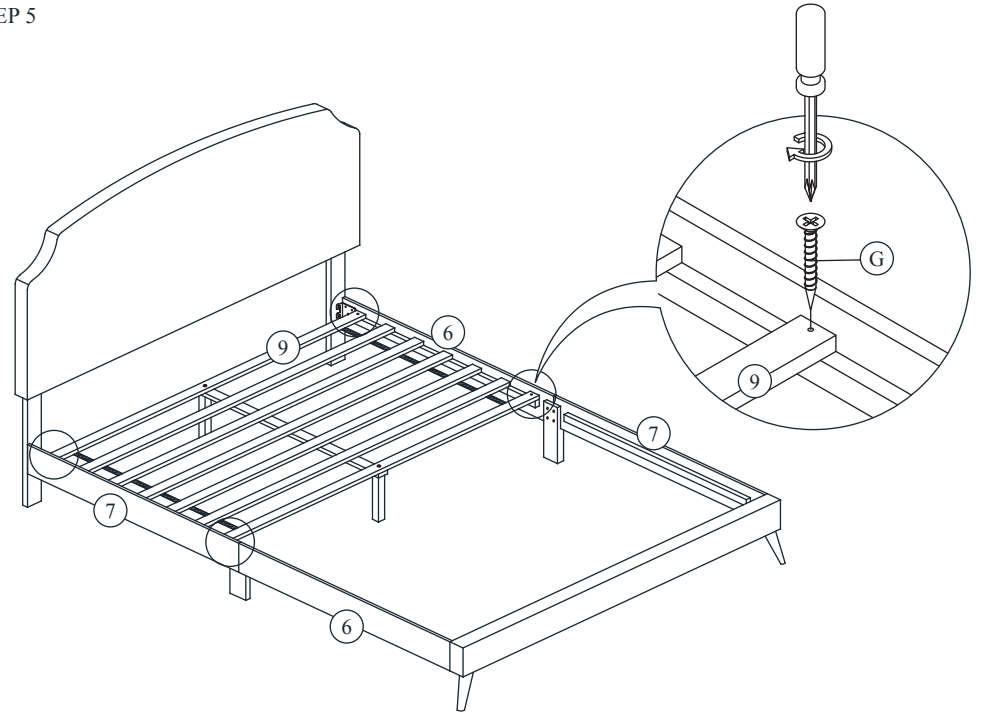


ASSEMBLY INSTRUCTION

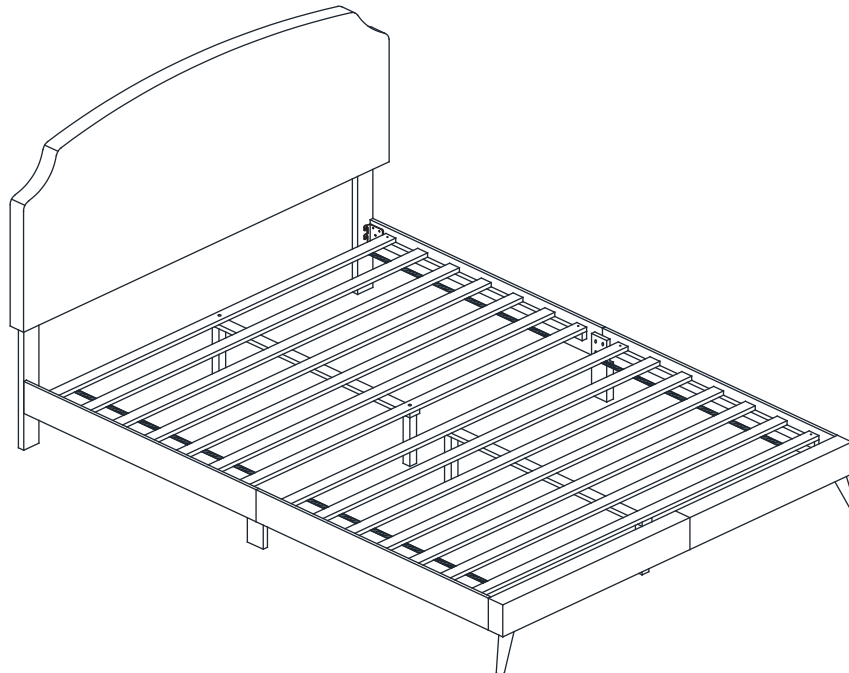
STEP 4



STEP 5



STEP 6



ASSEMBLY
COMPLETED