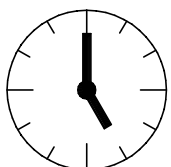
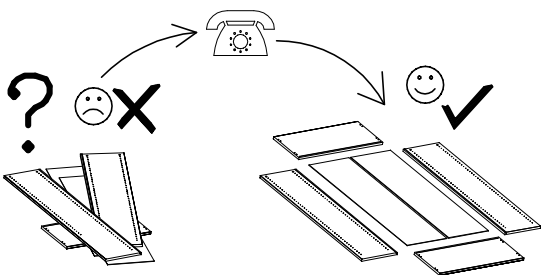
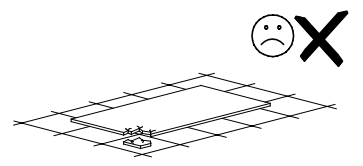
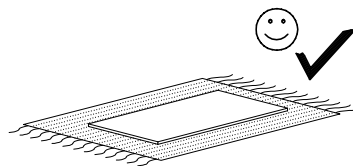
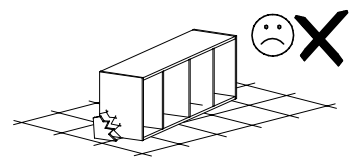
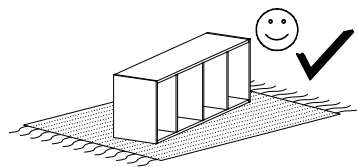
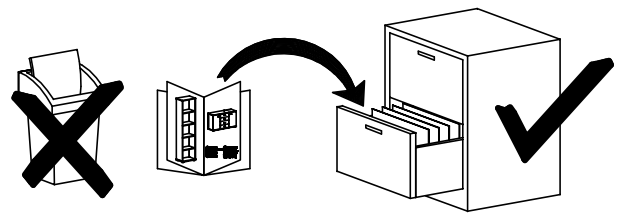
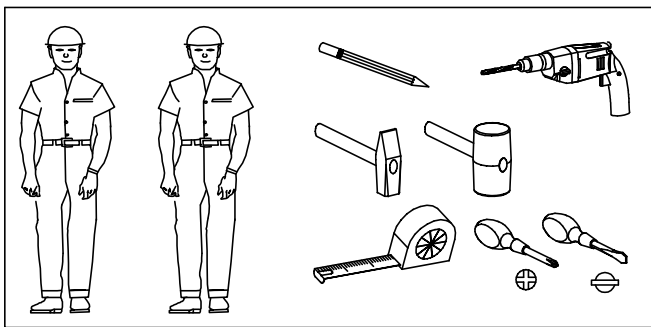
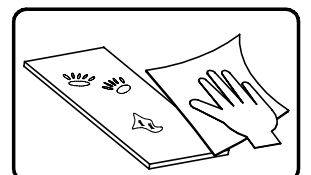
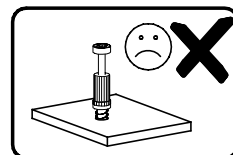
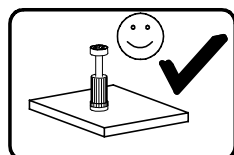
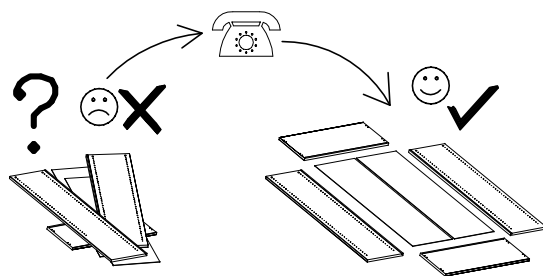
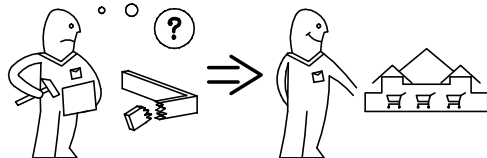
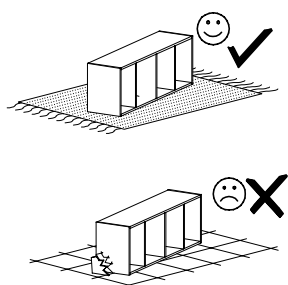


PUSH

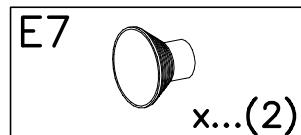


1,5h

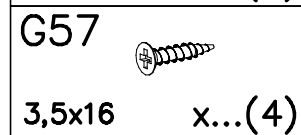
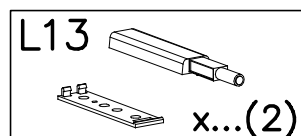
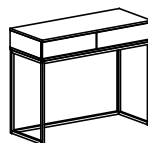




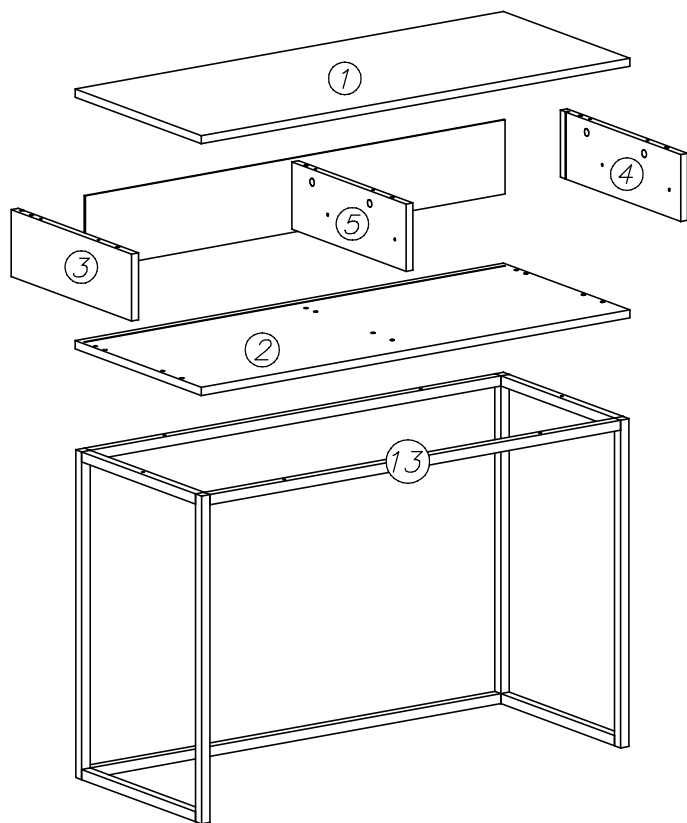
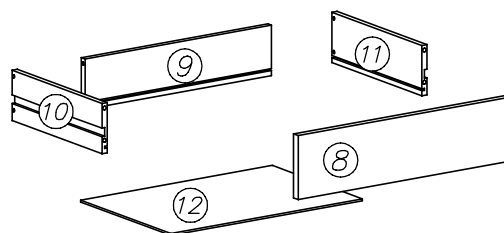
OPCJA A


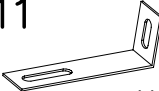

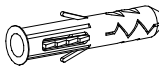


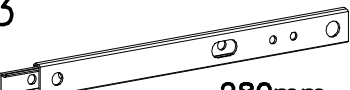

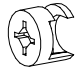

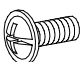
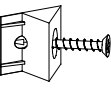

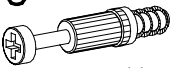

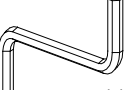




OPCJA B

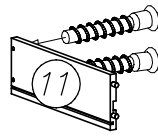
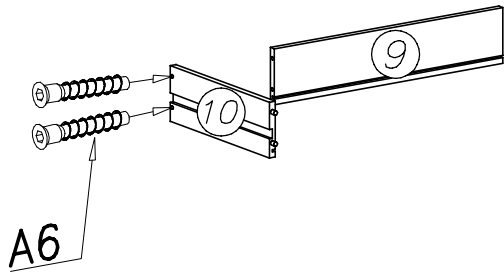


PUSH

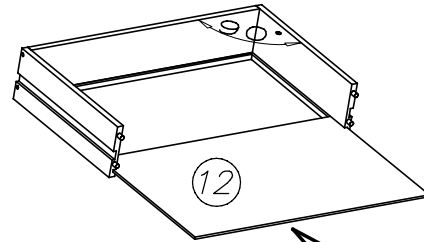
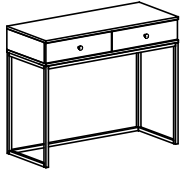


	G34  3,5x16 x...(2)	M11  x...(1)	G28  4x60 x...(1)	U6  ø8x40 x...(1)
I22  x...(4)	G49  6x20 x...(4)	H3  280mm x...(4)	G50  6x13 x...(4)	
K1  ø15x12 x...(6)	G8  4x30 x...(8)	N1  M4x9 x...(4)	I1  x...(4)	W1  GLUE, LEIM, LEPIDLO, LIM x...(1)
K10  x...(6)	B1  ø8x35 x...(20)	W2  x...(1)	A6  ø7x40 x...(8)	A1  ø7x50 x...(6)

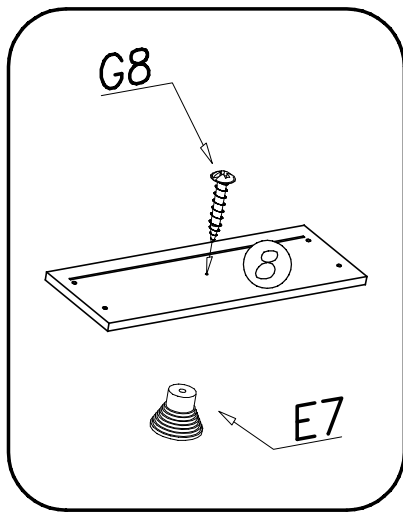
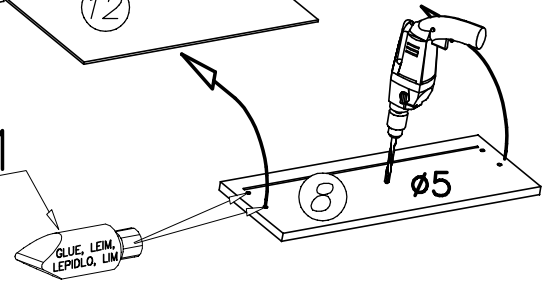
I



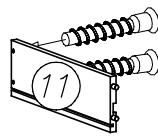
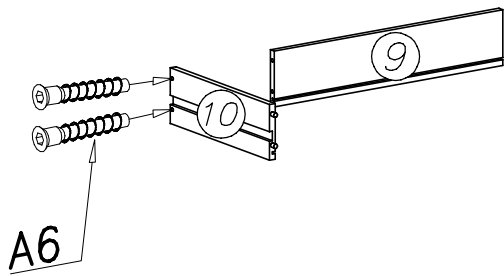
OPCJA A



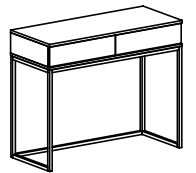
W1



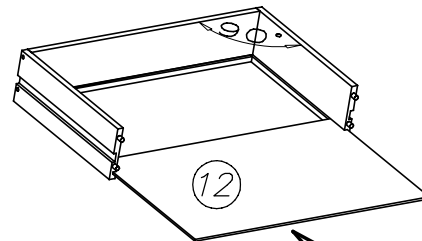
II



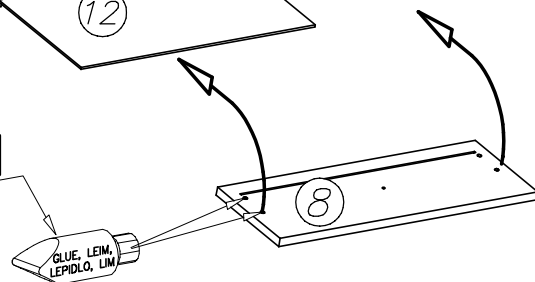
OPCJA B



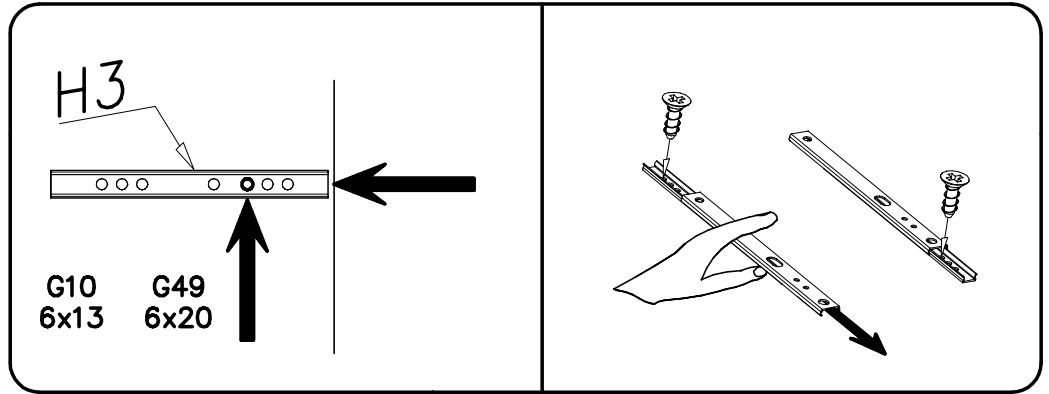
PUSH



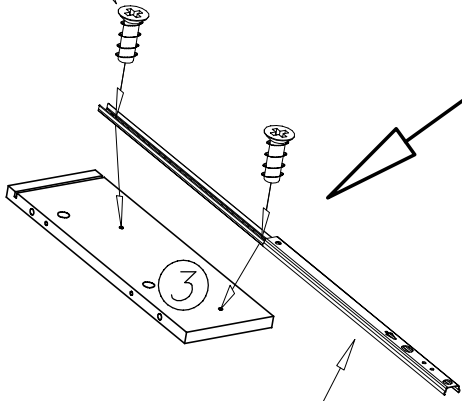
W1



III

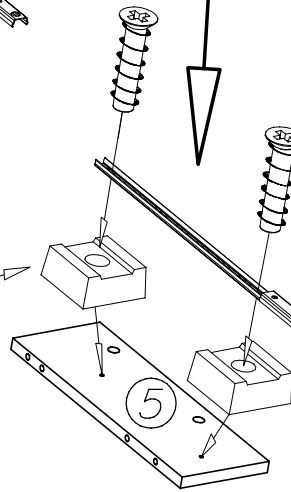


G10



H3

I22



G49

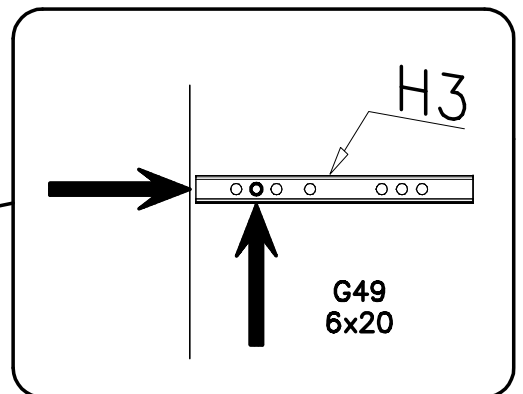
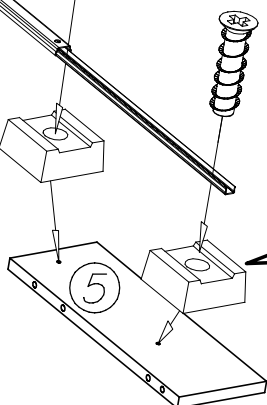
H3

H3

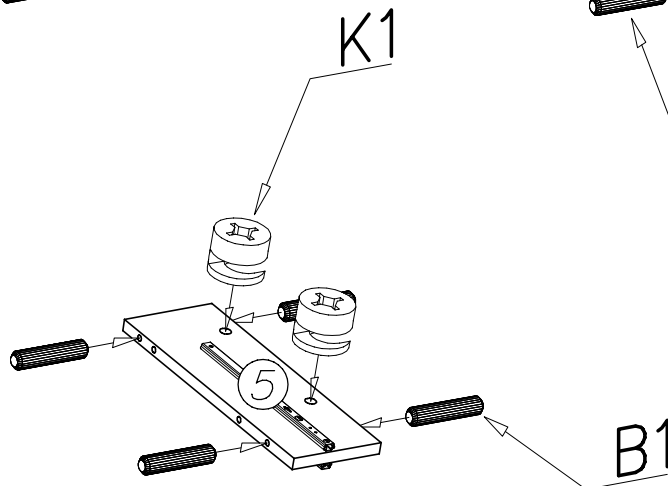
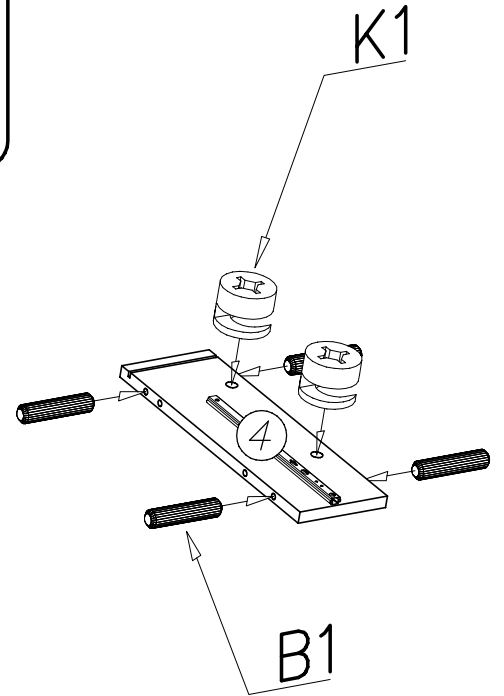
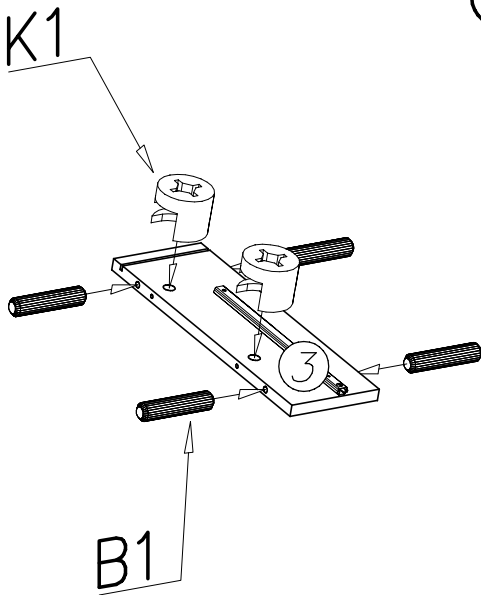
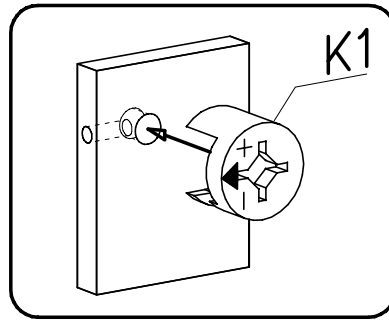
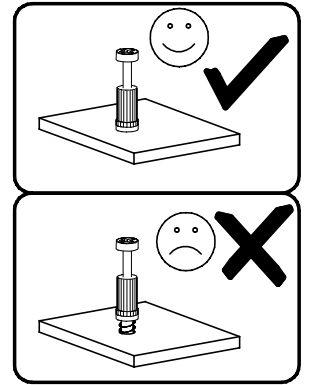
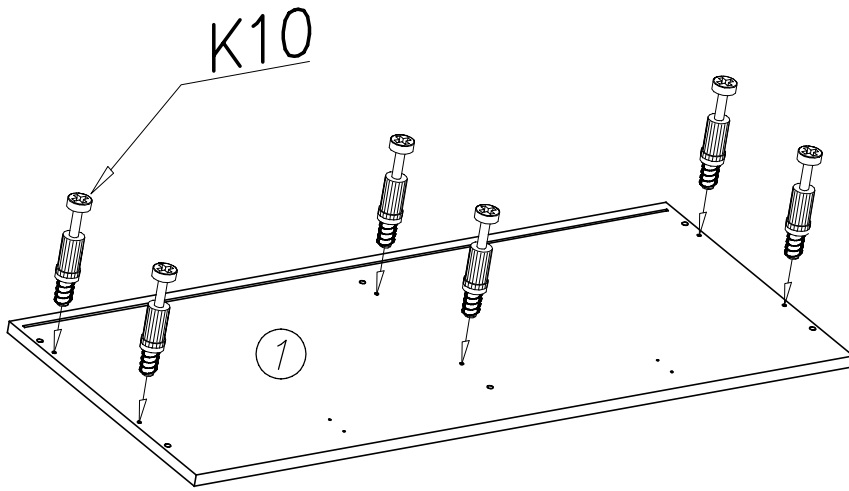
G49

H3

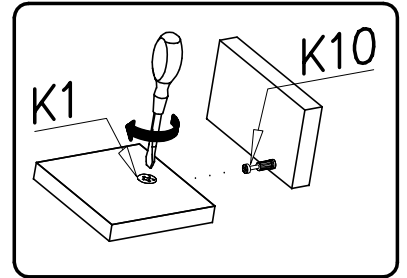
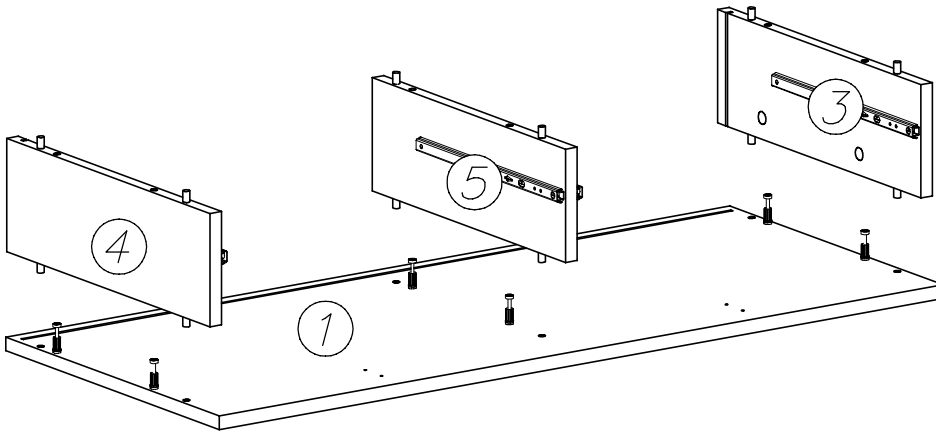
I22



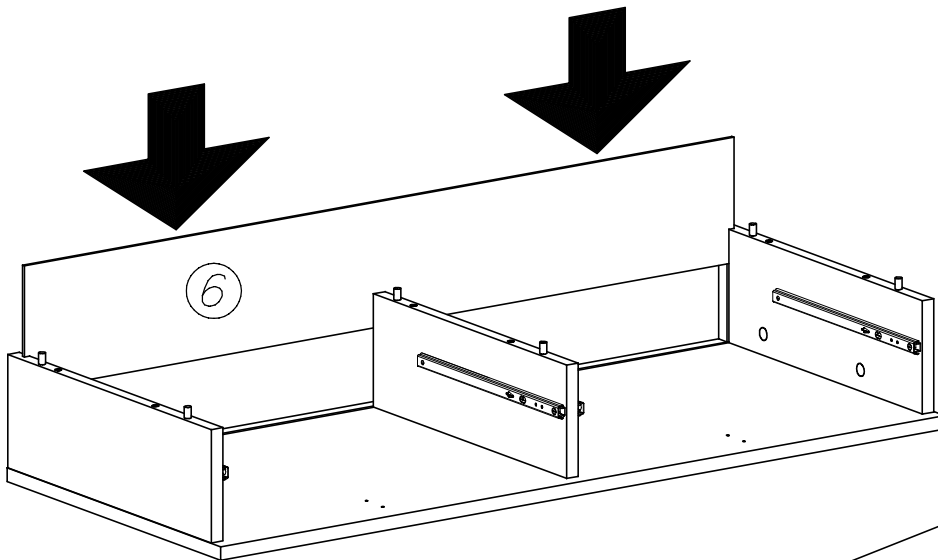
# IV



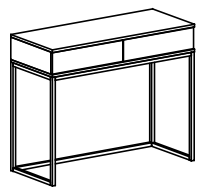
V



VI

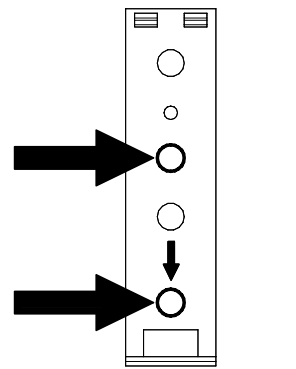
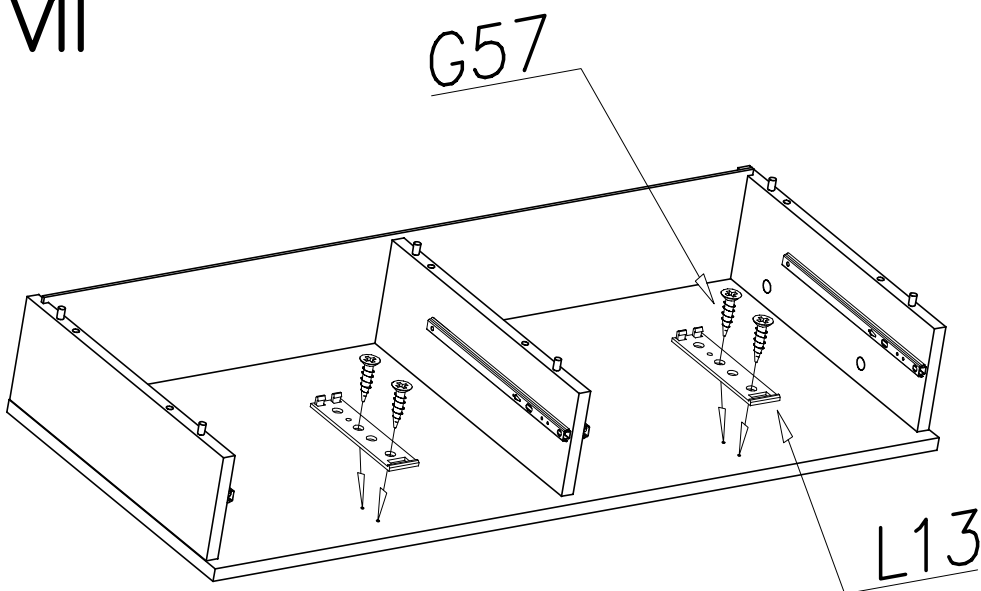


OPCJA B



PUSH

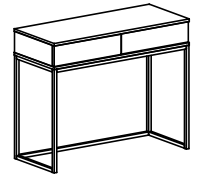
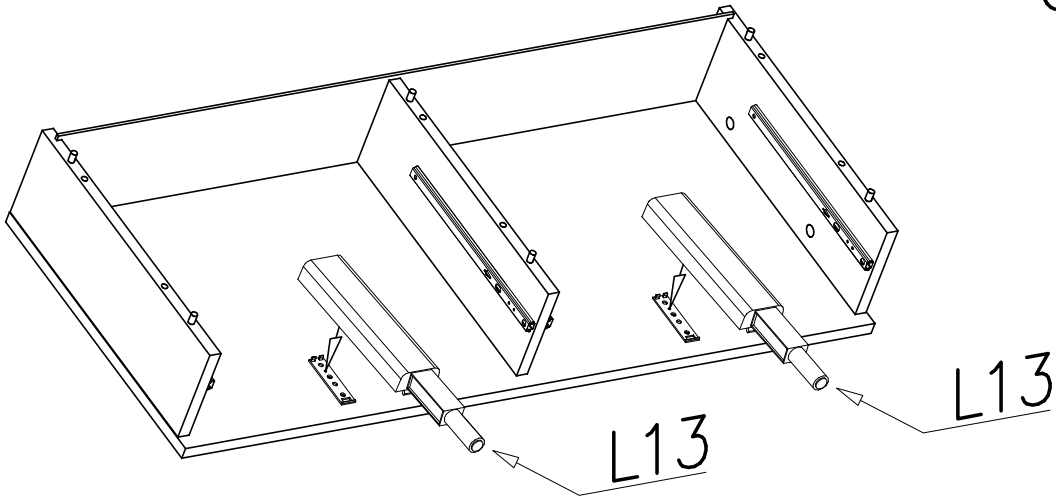
VII



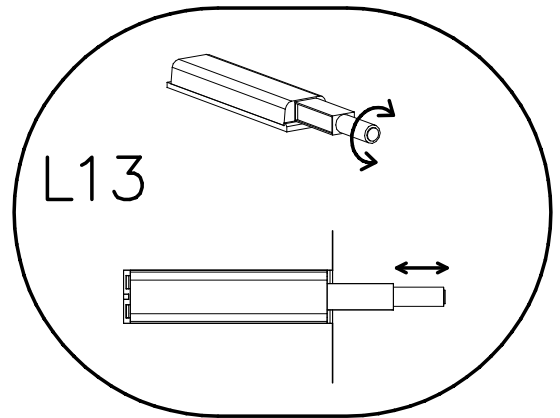
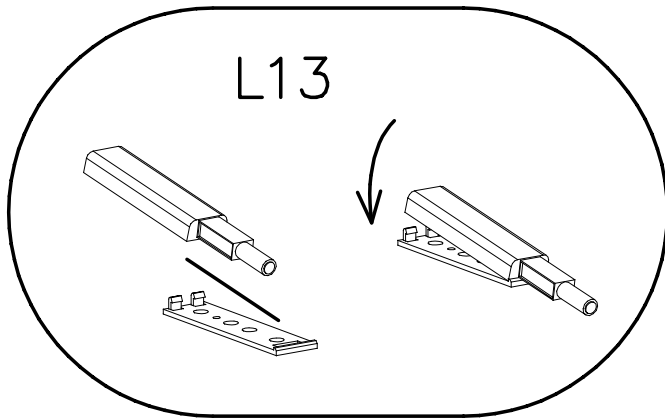
front

# VIII

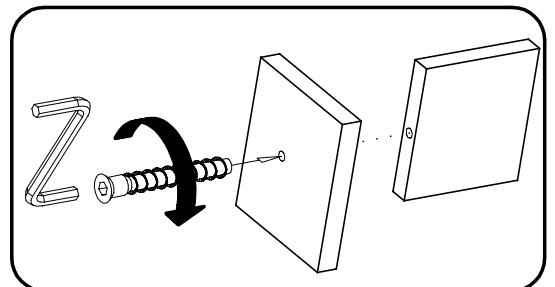
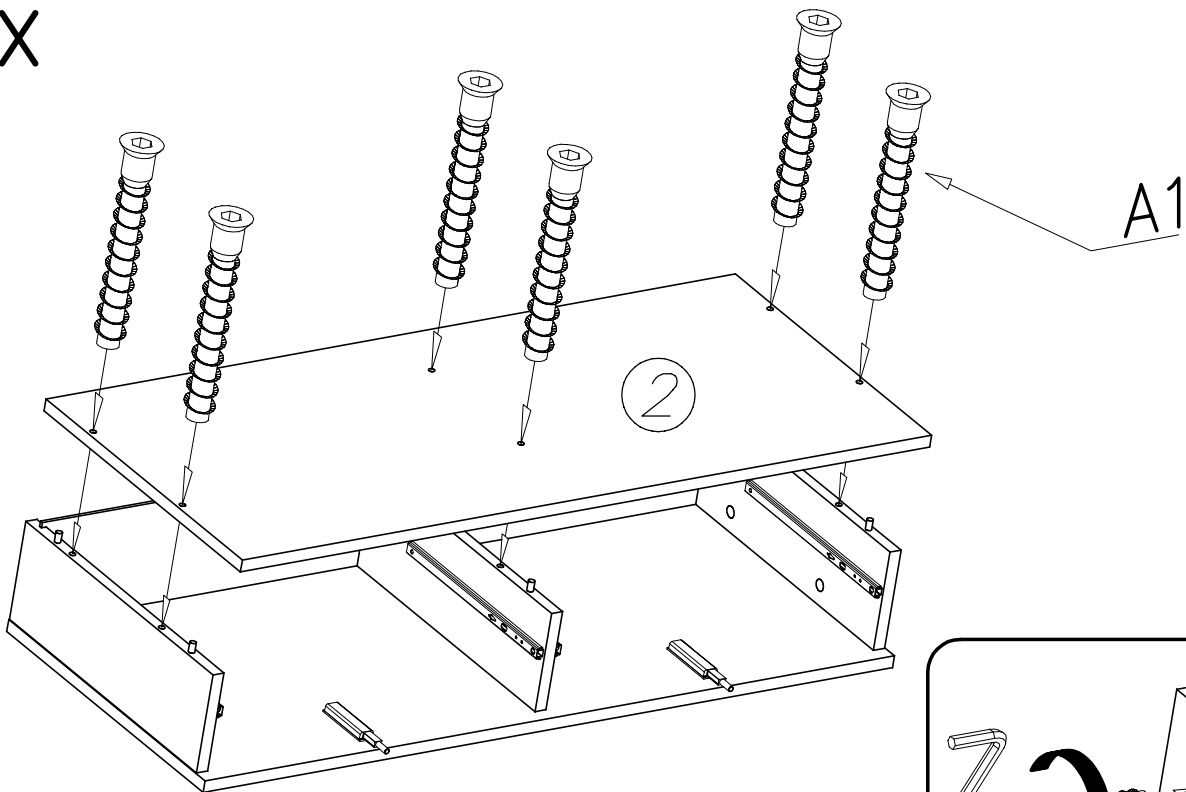
OPCJA B



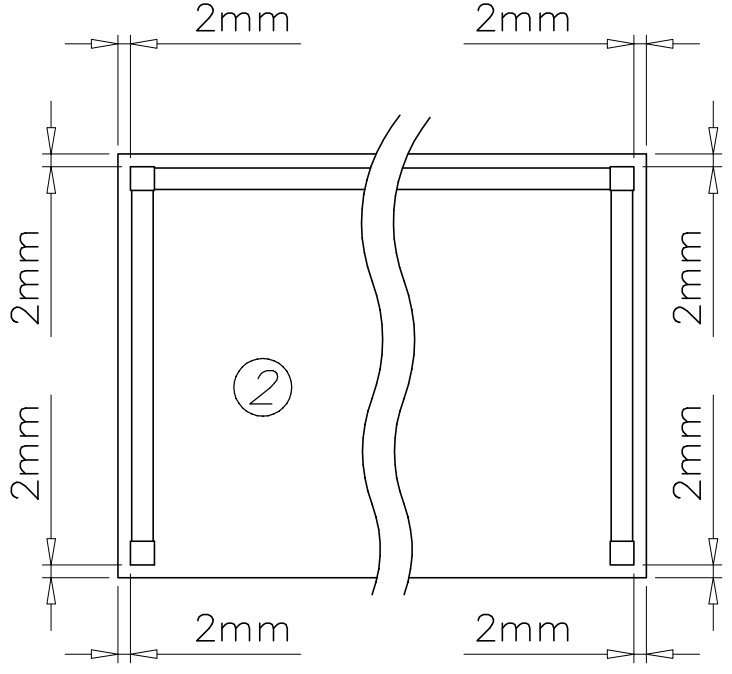
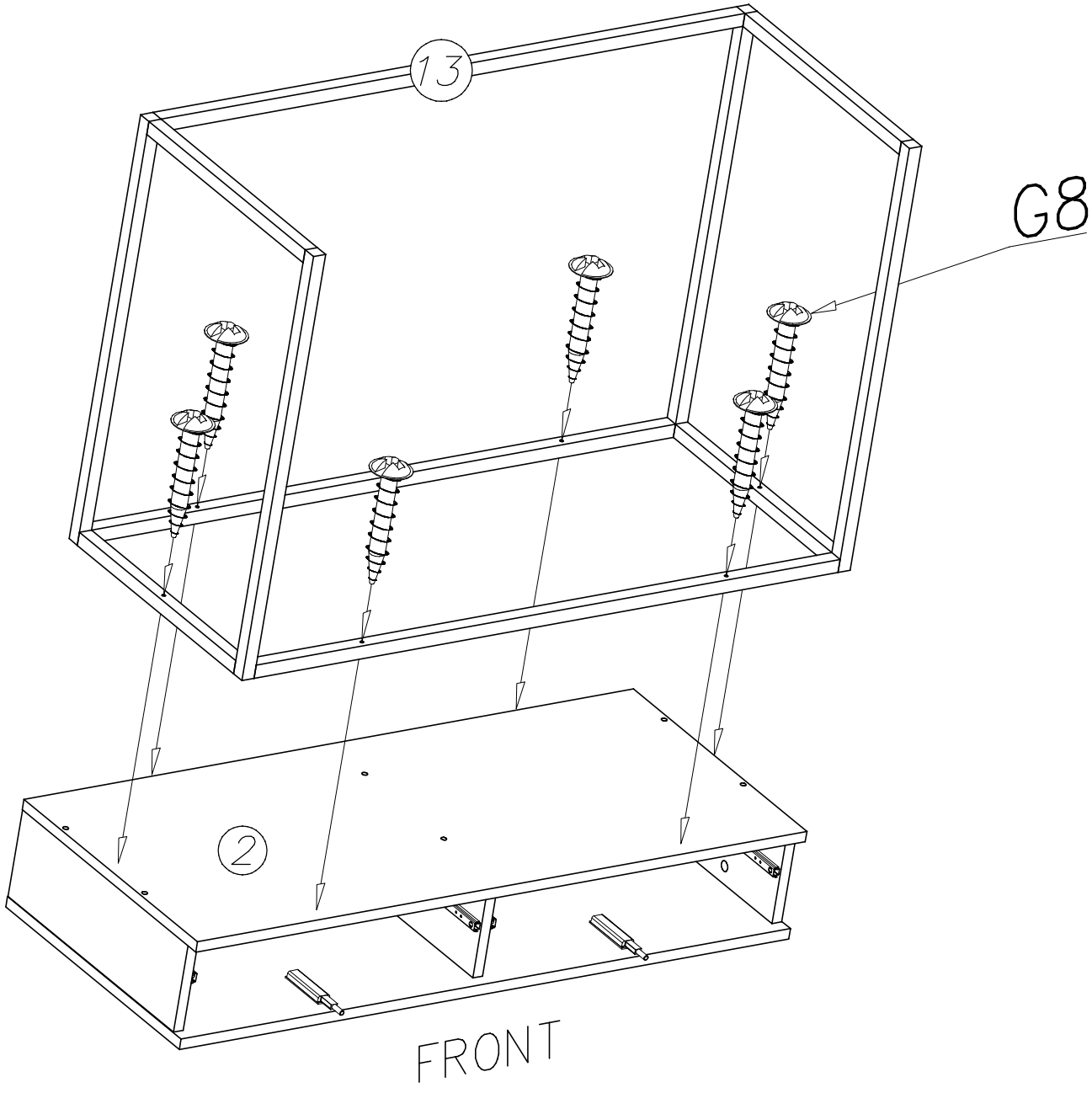
PUSH



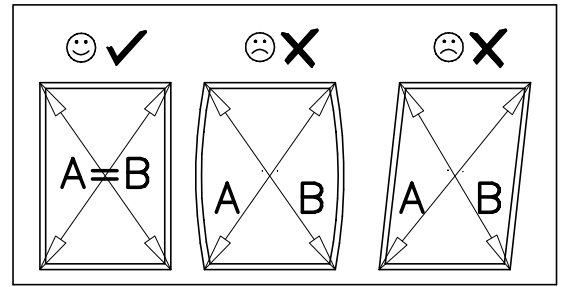
# IX



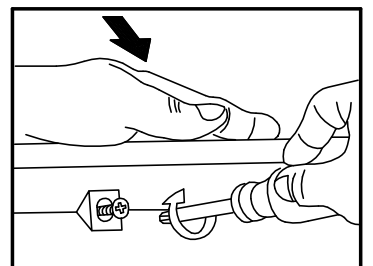
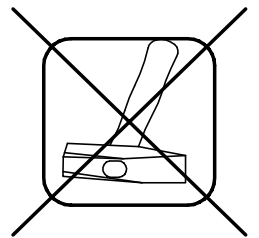
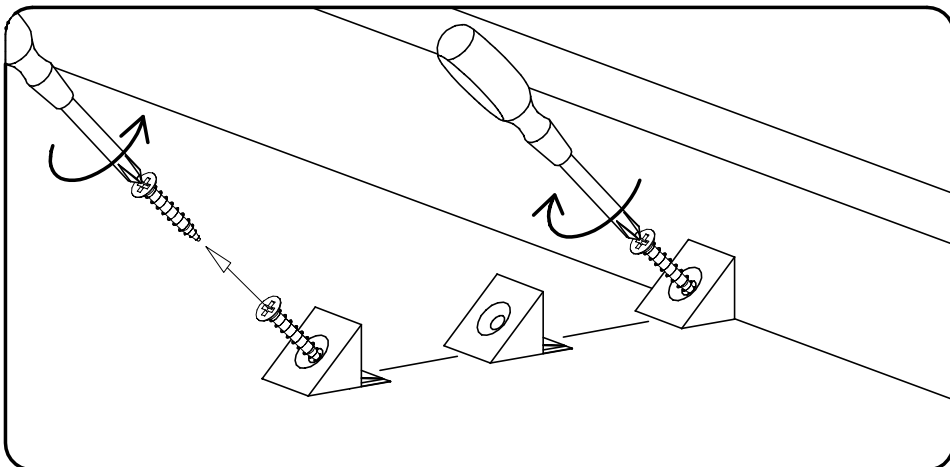
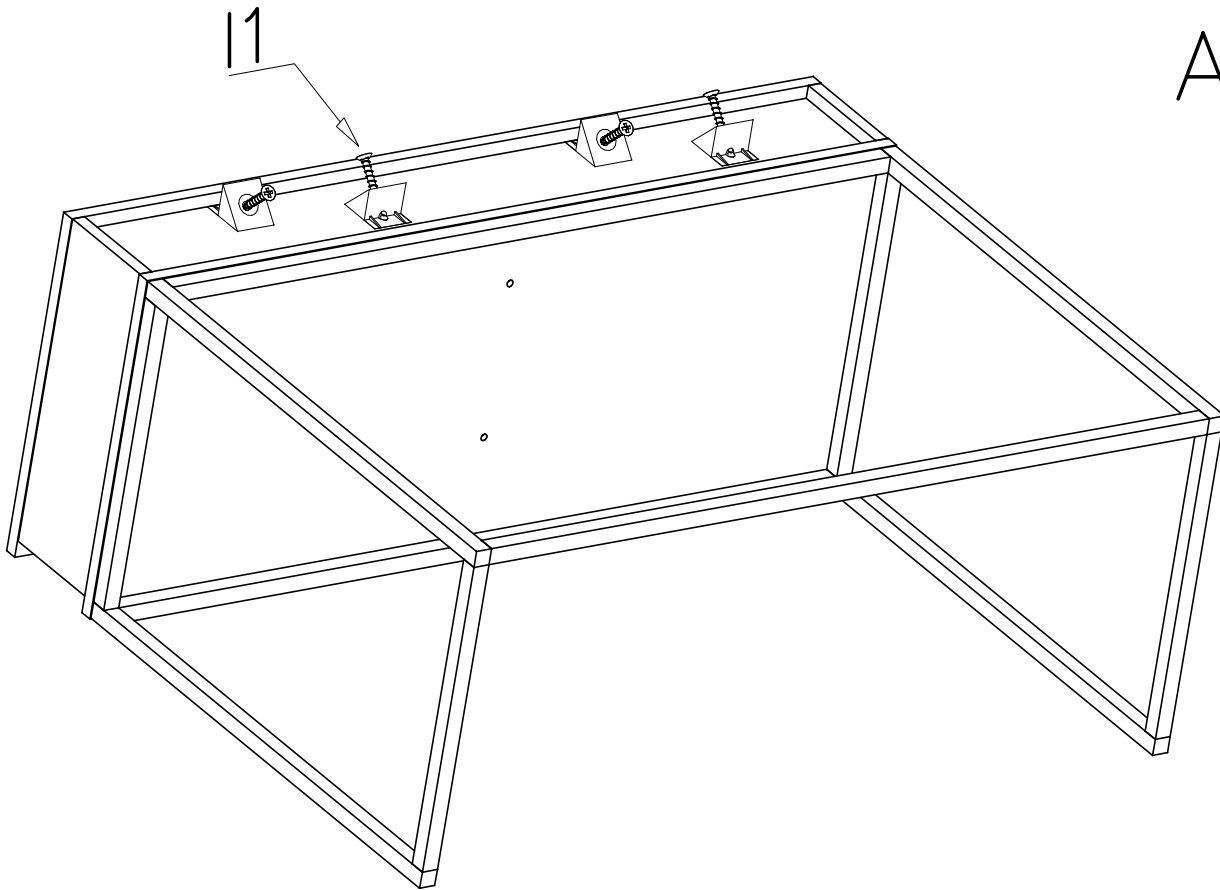
X

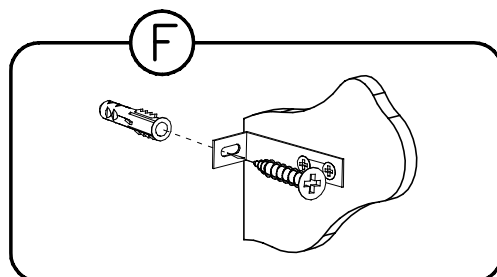
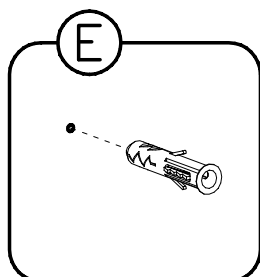
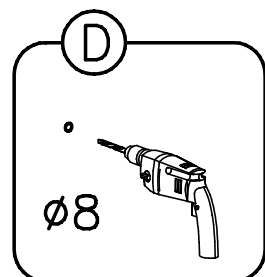
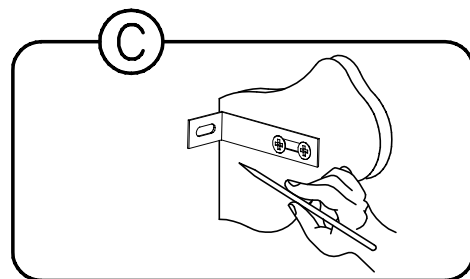
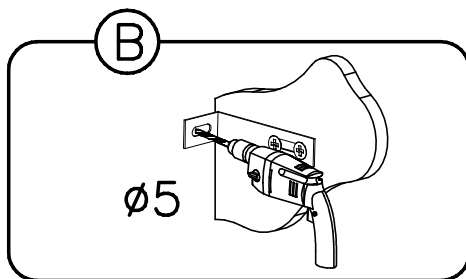
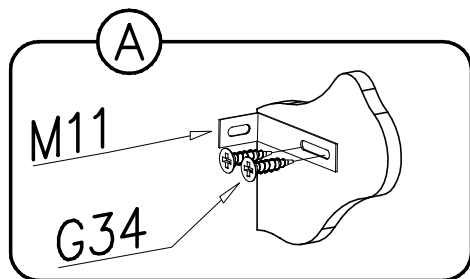


# XI

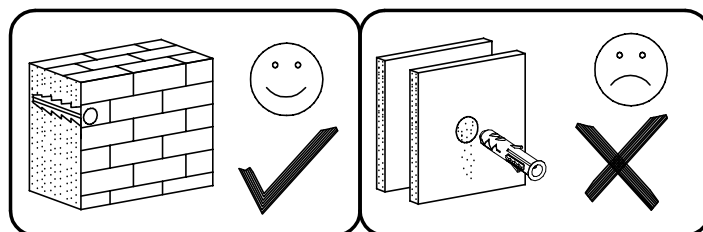
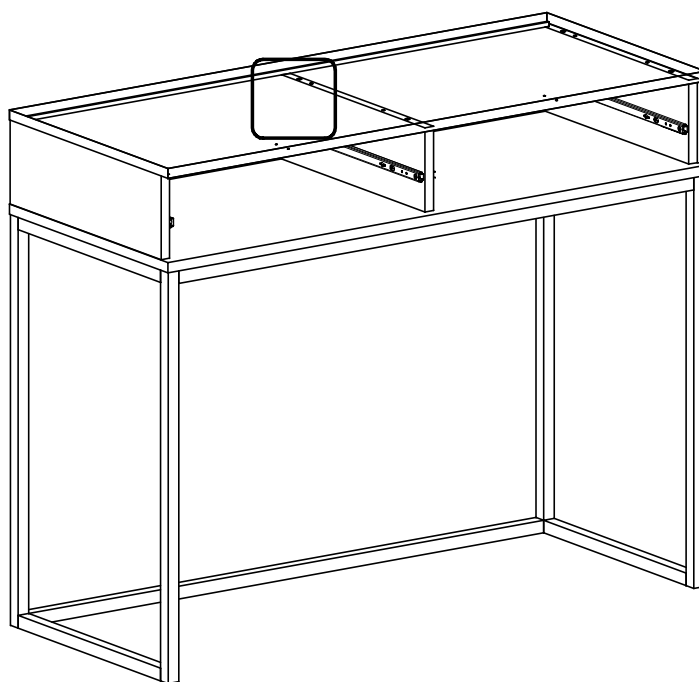


A=B

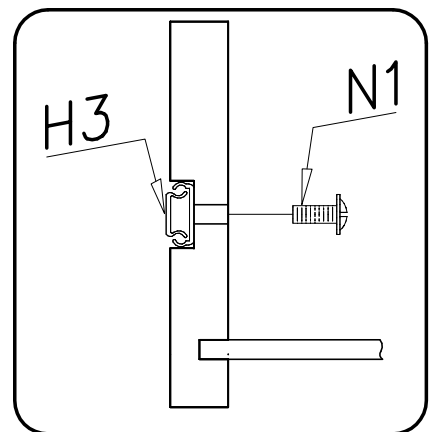
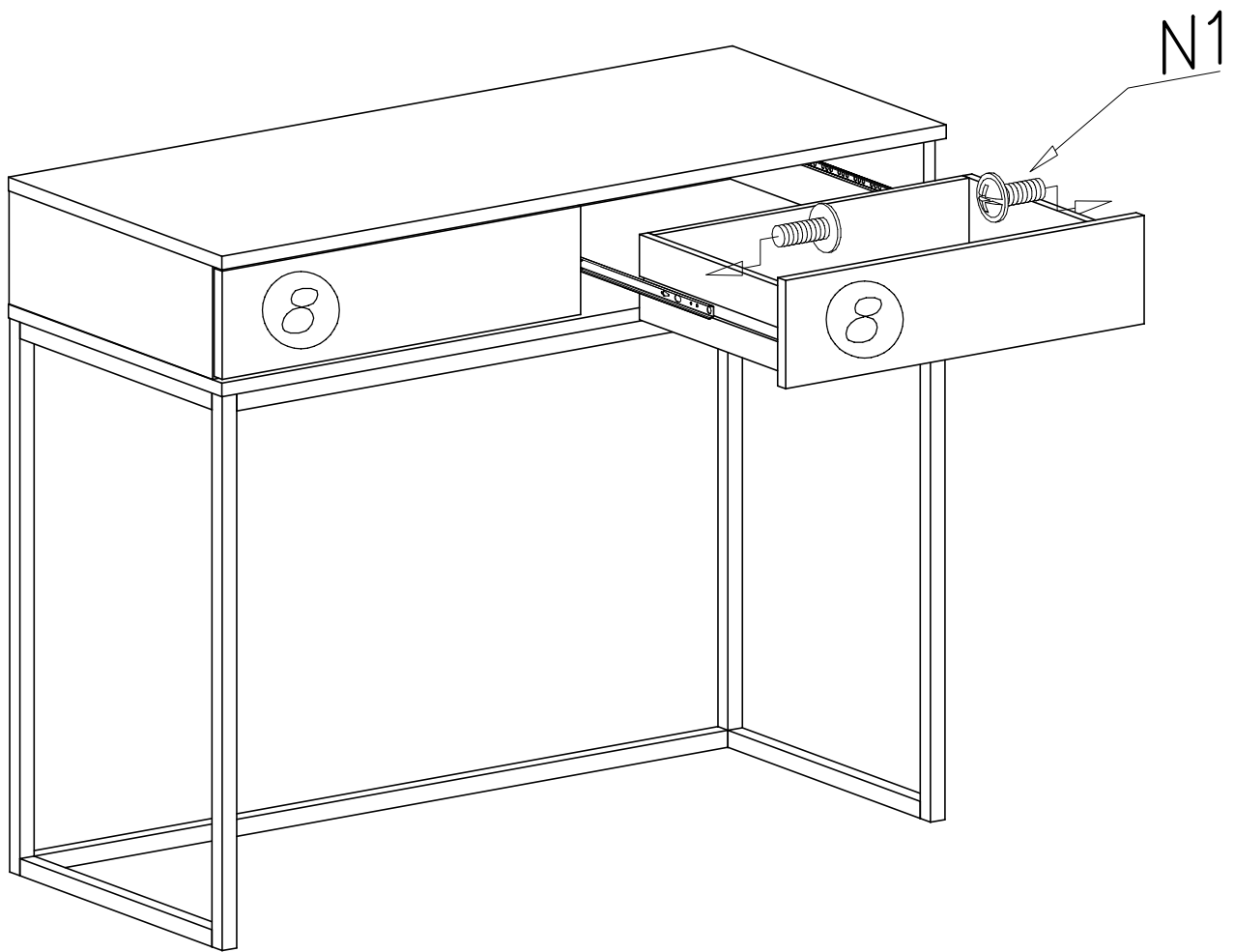


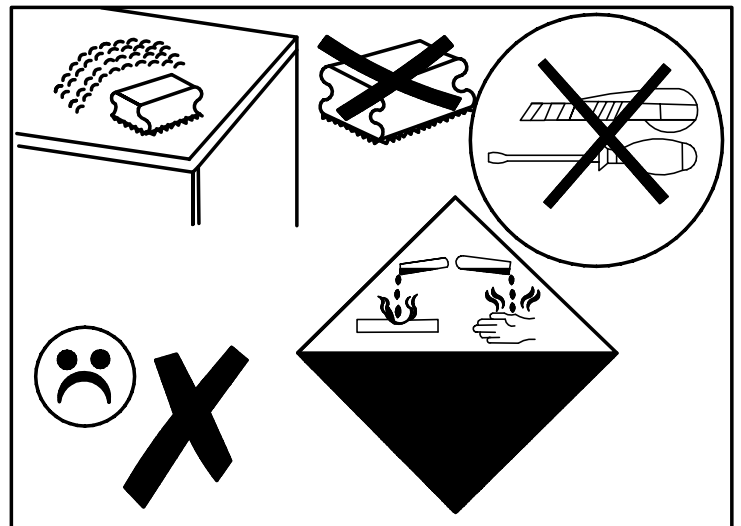
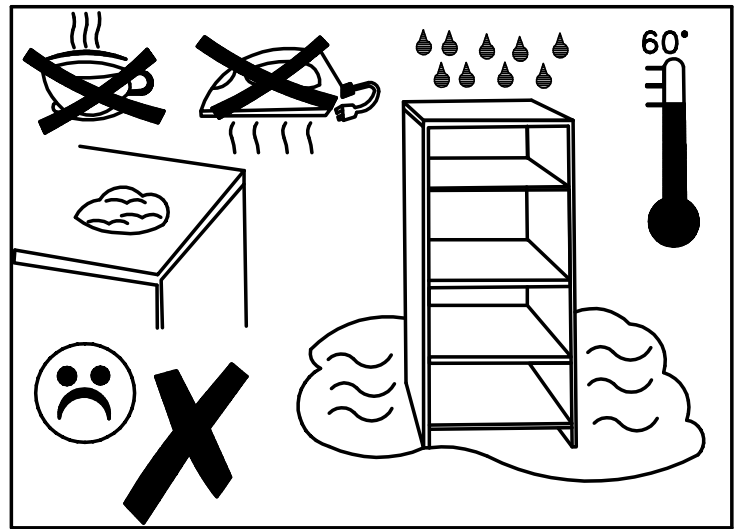
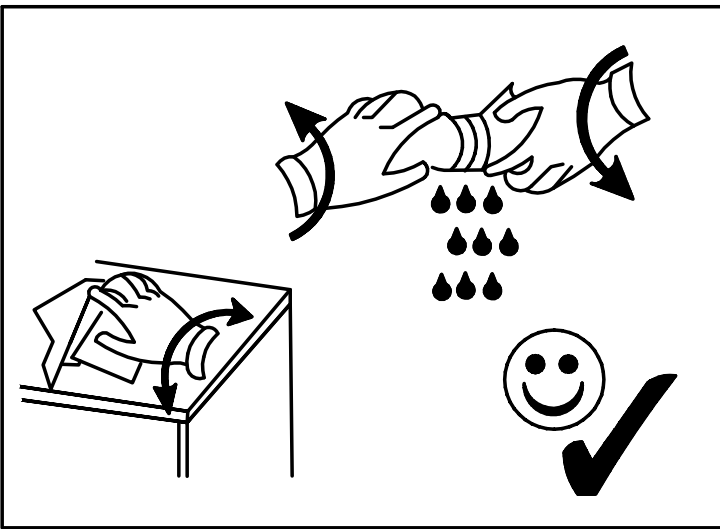
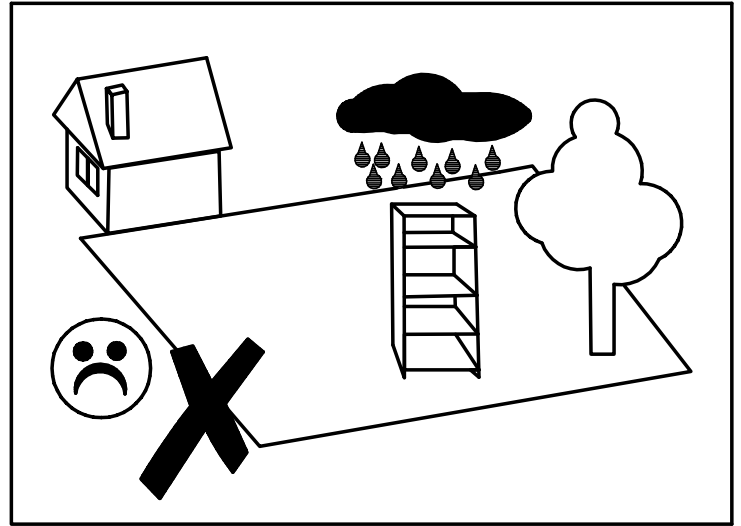
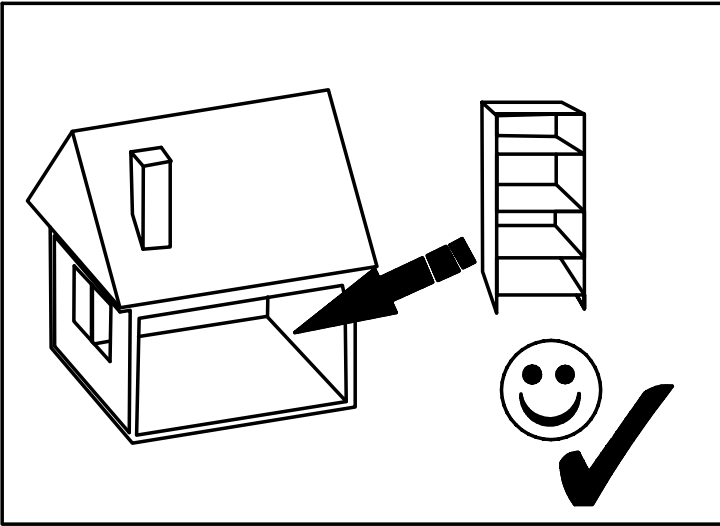
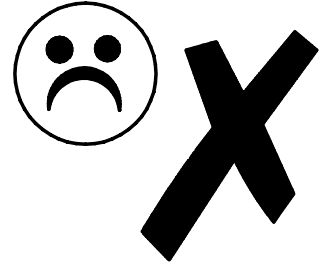


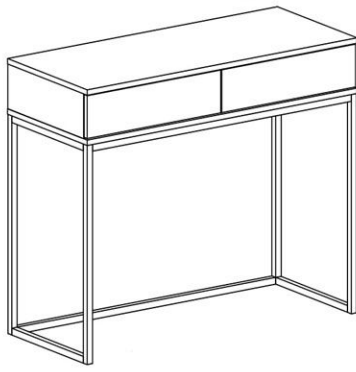
## XII



## XIII







1

A



x1

B



x1

C



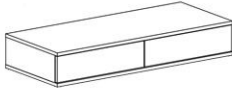
x4

D



x8

E

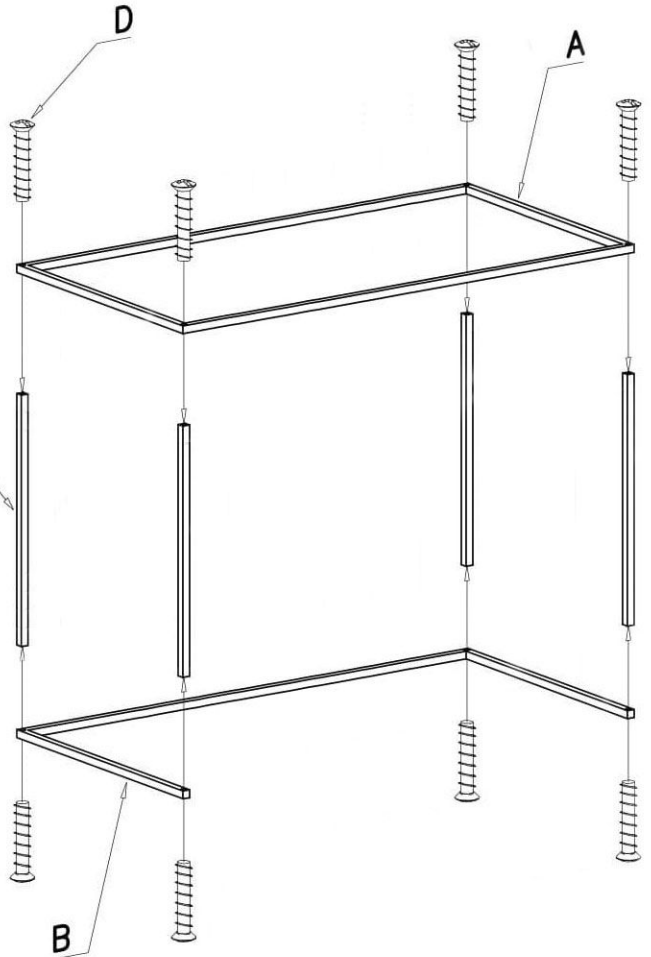
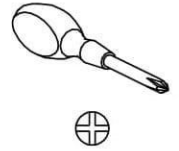


x1

F



x6



2

