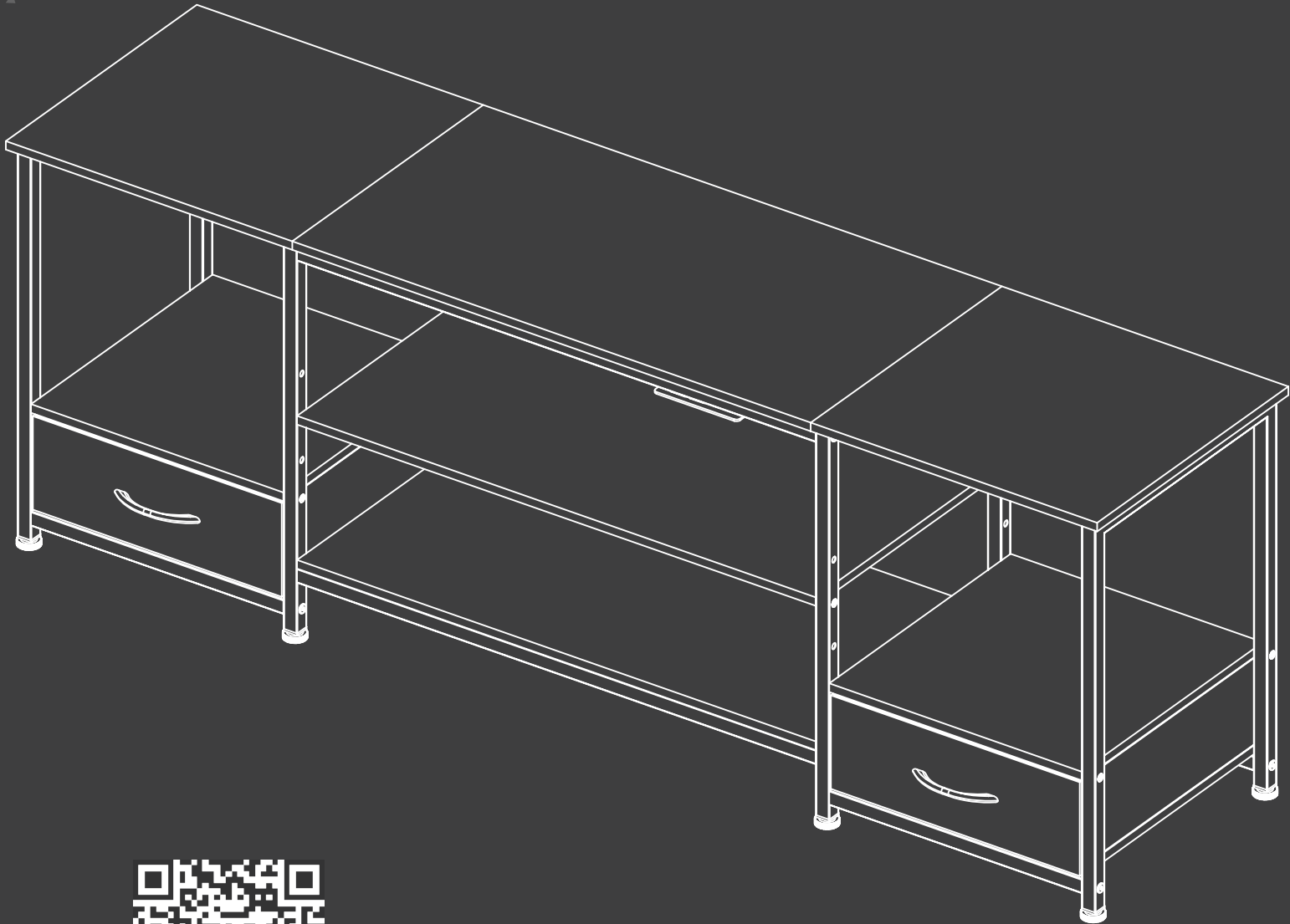


TV Stand with Drawers

Instruction Manual

TVS-2C63IN

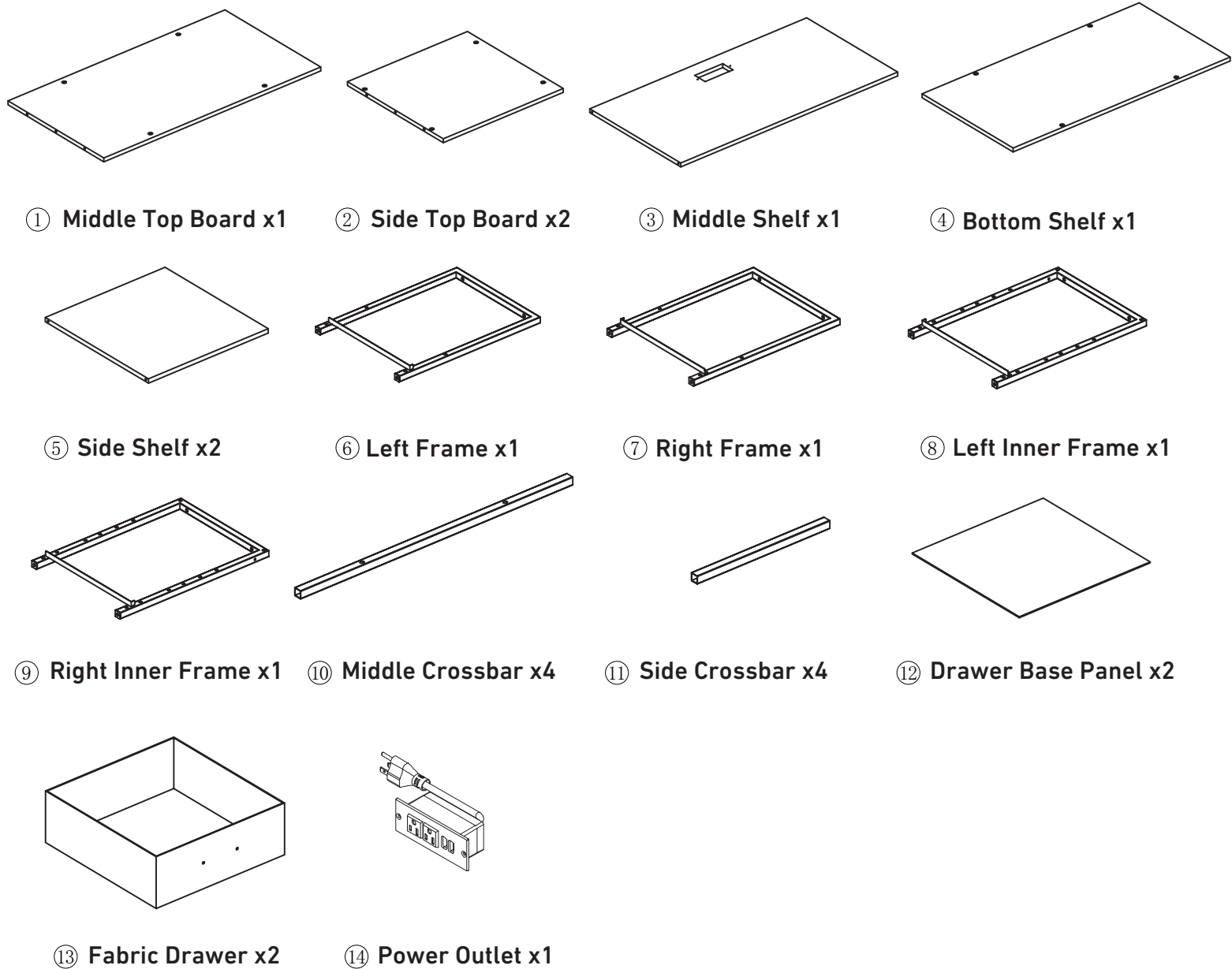


 EST 9:00AM--17:00PM

 HJ-Customer-Service@outlook.com

 (909)637-7665 | (909)637-7593

1 Components List



2 Supplied Parts and Hardware

Ⓐ x32+1



M6x28

Ⓑ x12+1



M6x40

Ⓒ x6+1



∅ 6x30

Ⓓ x4



M4x10

Ⓔ x2



M3.5x9

Ⓕ x2



Handle

Ⓖ x8



Leveling Feet

Ⓗ x2

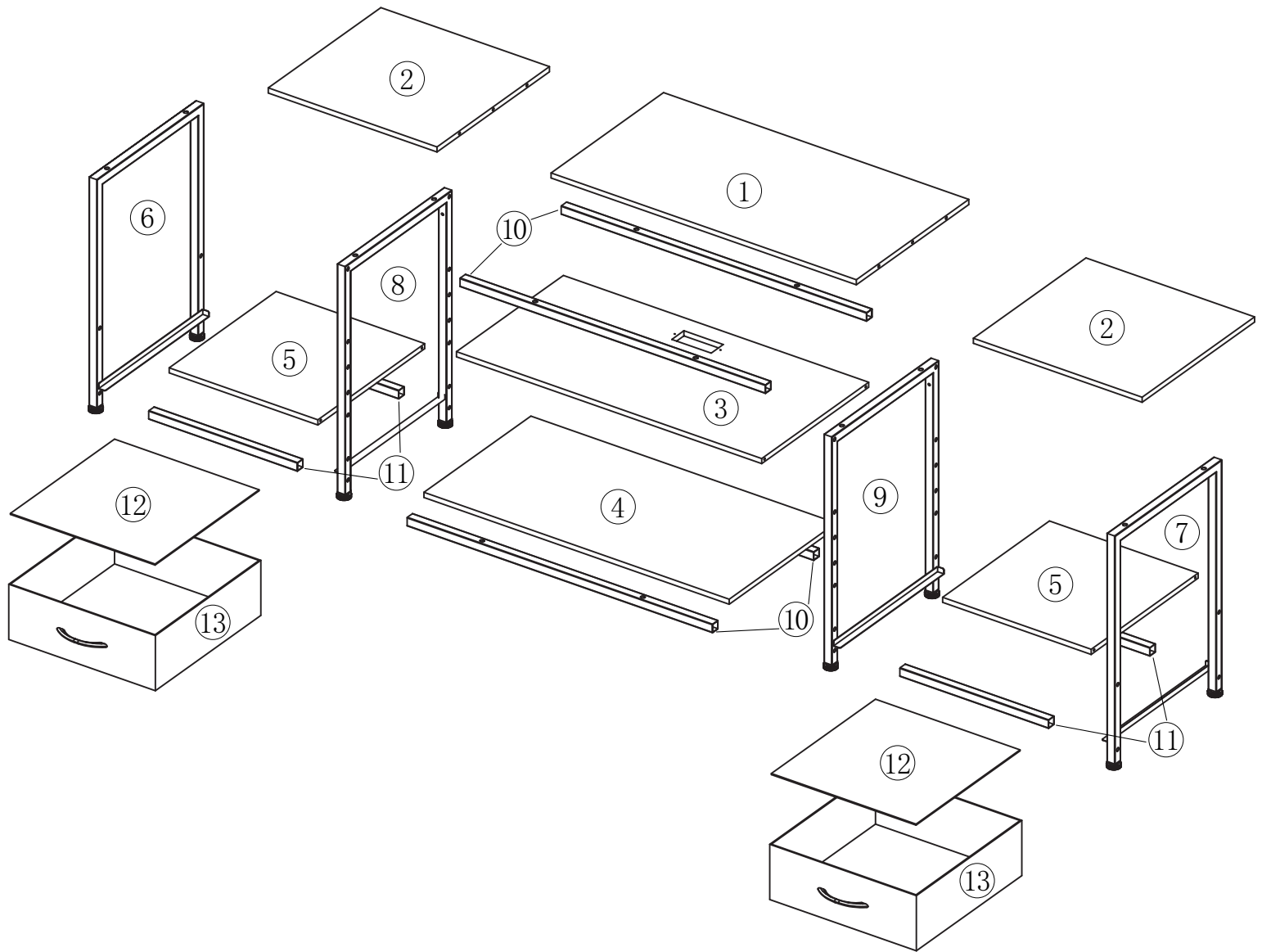


Wall Anchor Kit

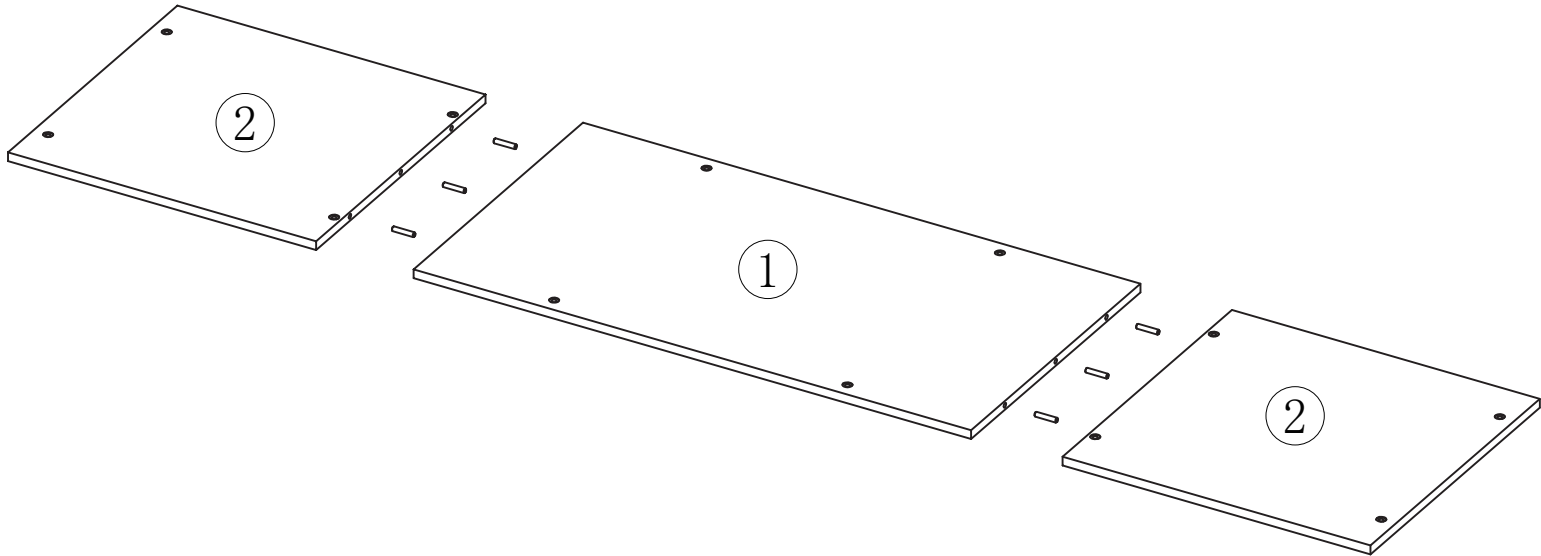
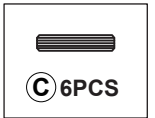
Ⓘ x1



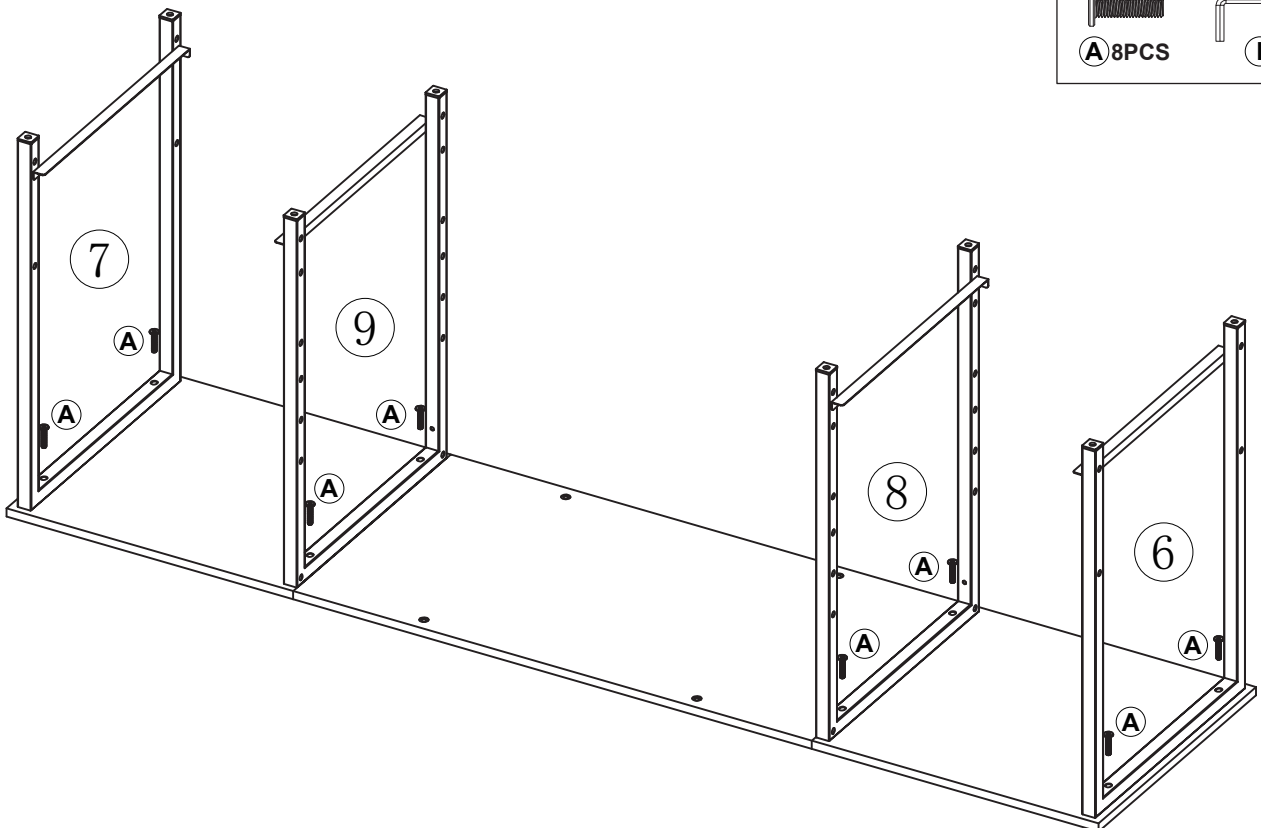
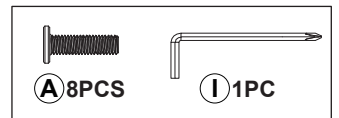
Allen Key



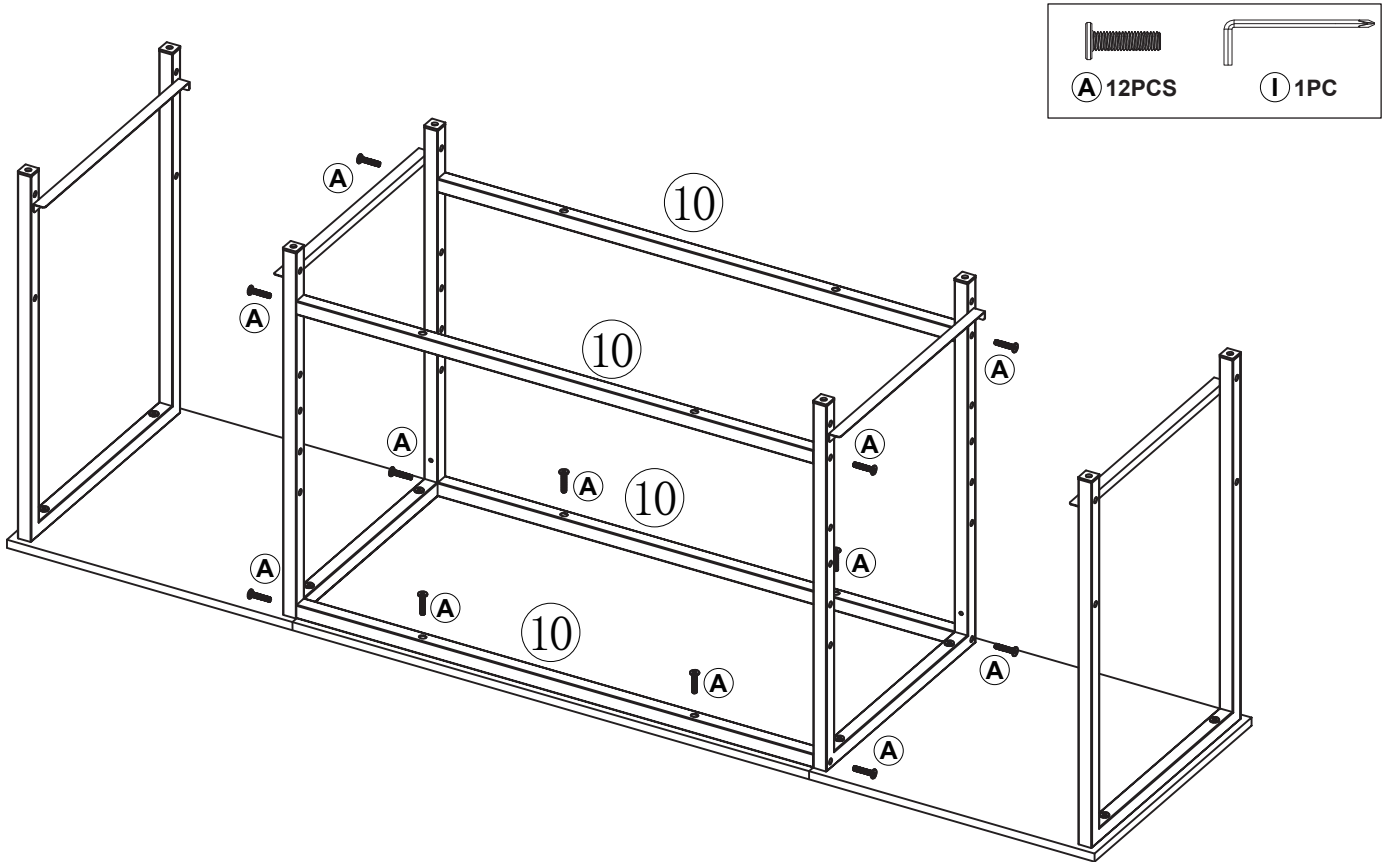
Step 1



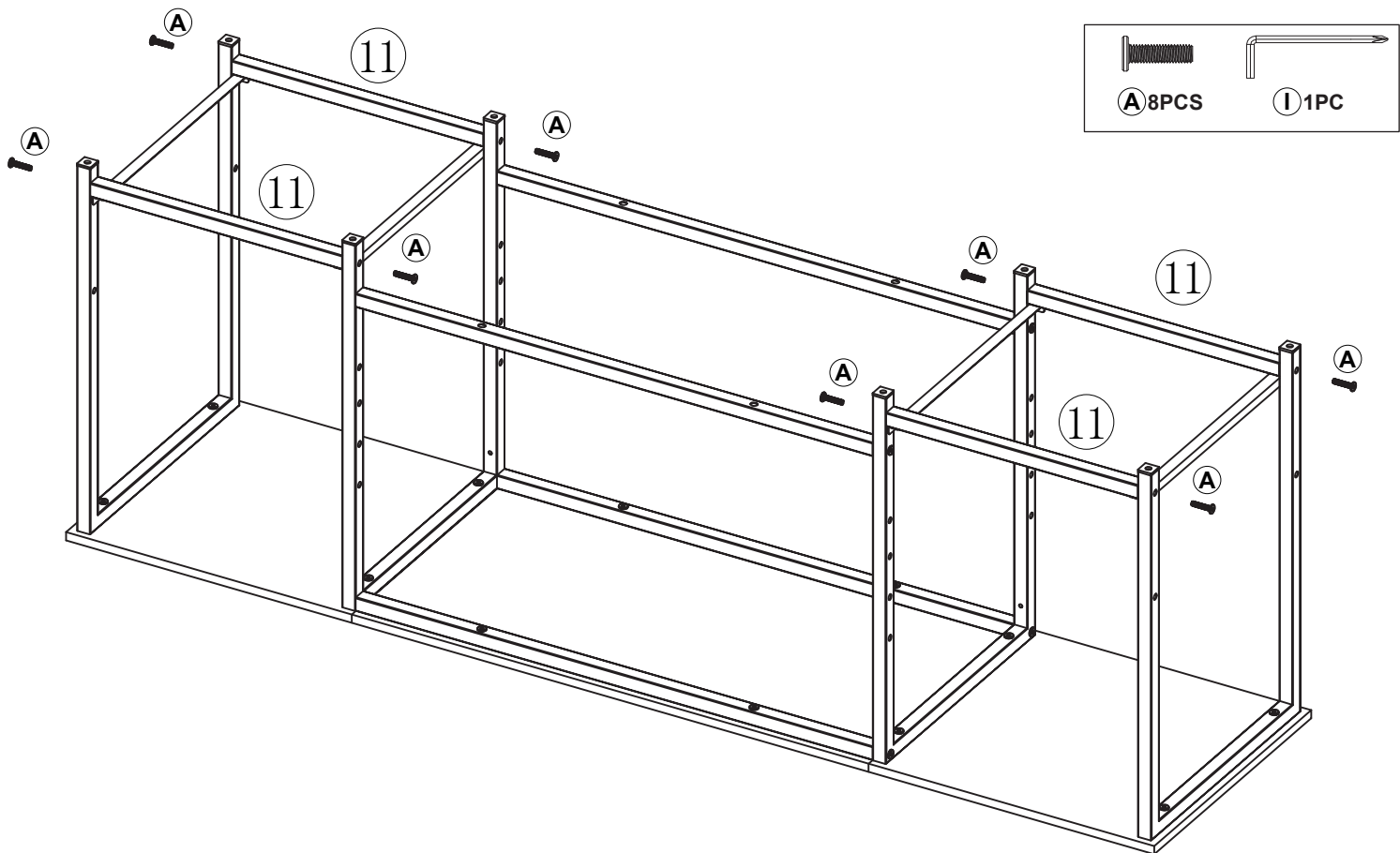
Step 2



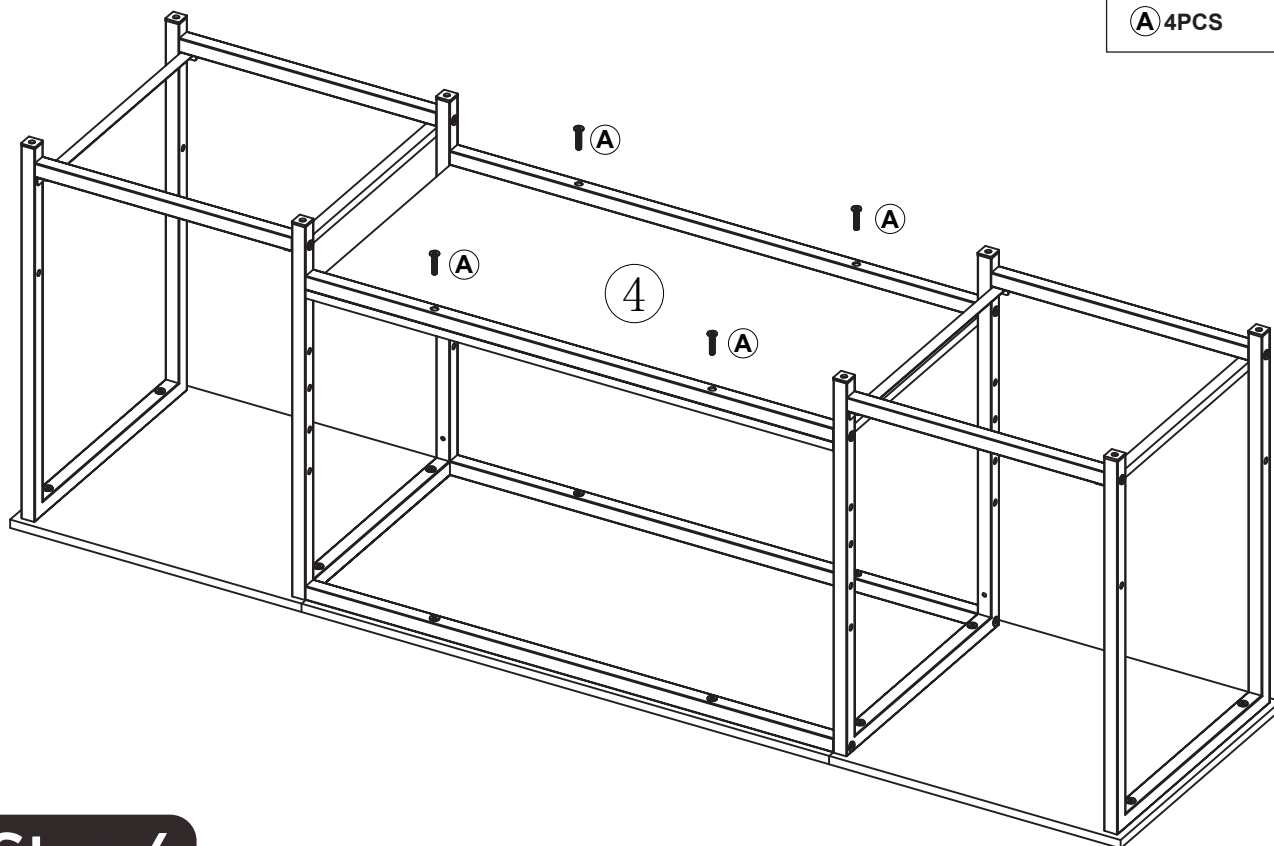
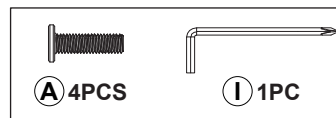
Step 3



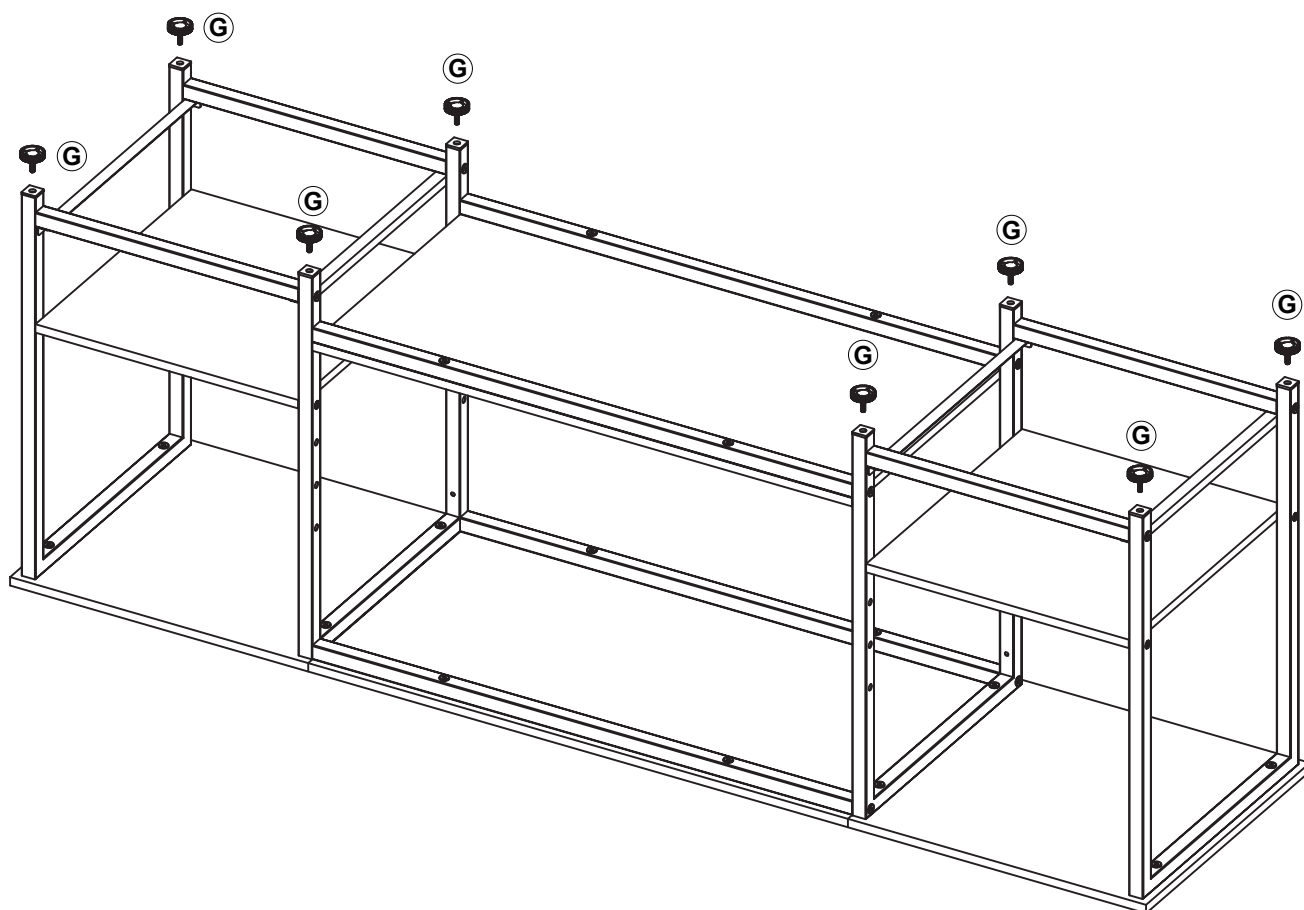
Step 4



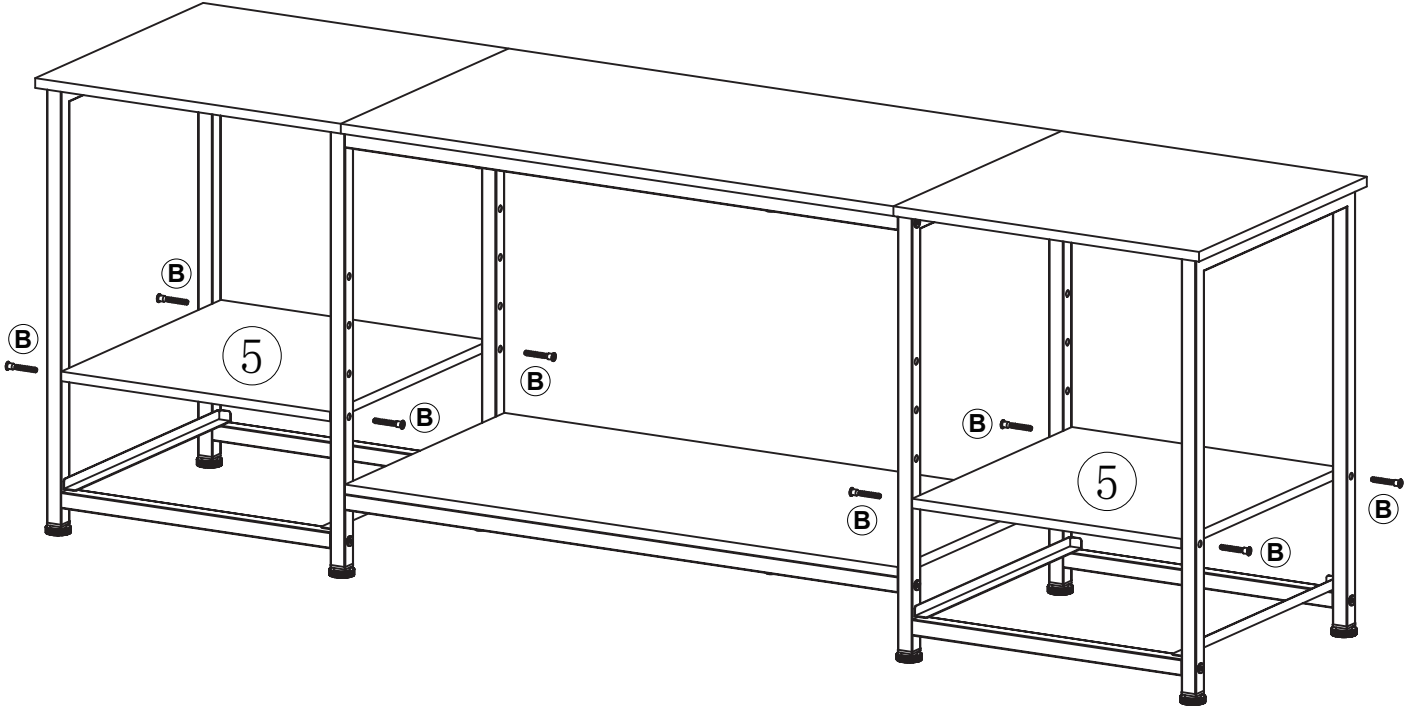
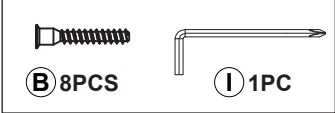
Step 5



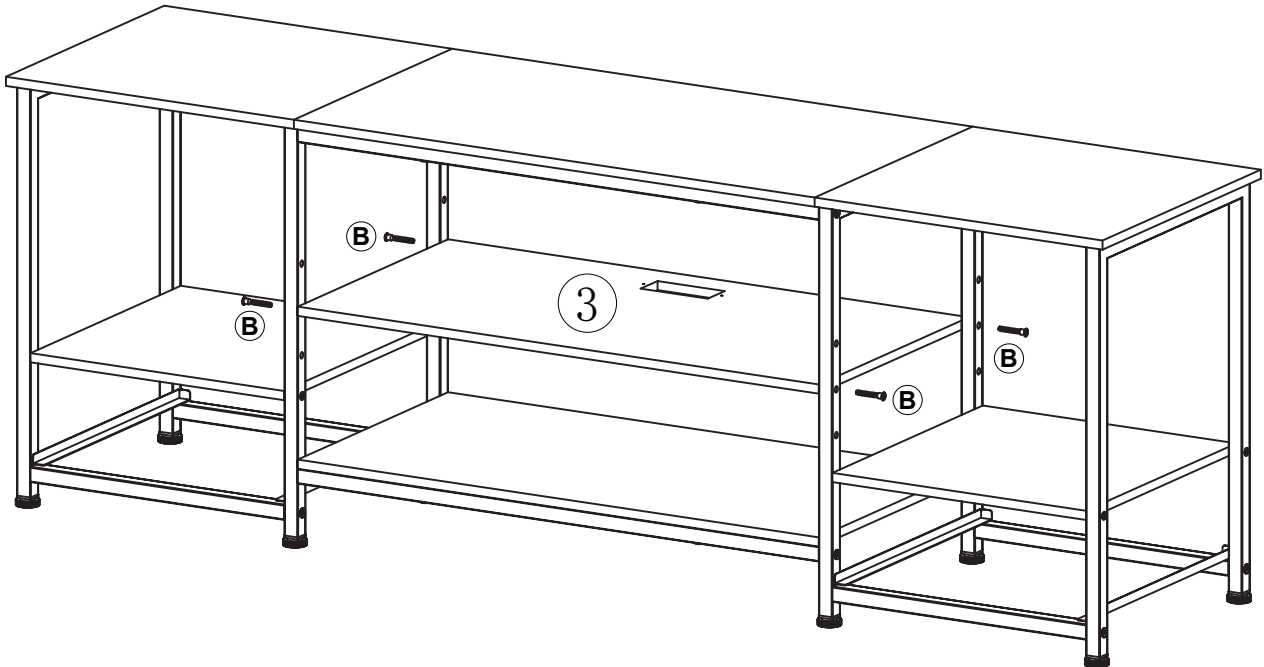
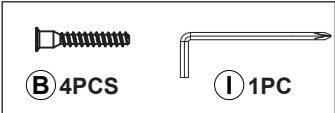
Step 6



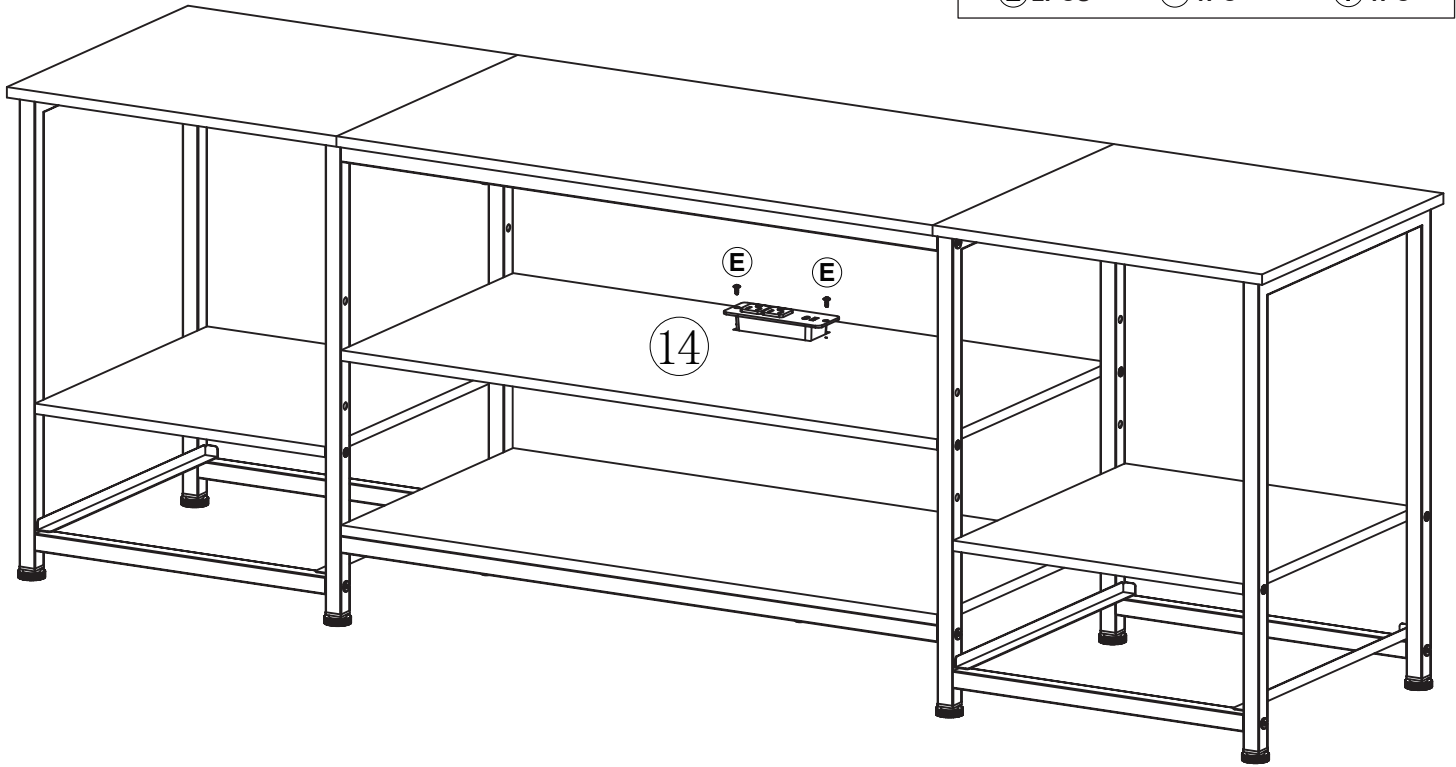
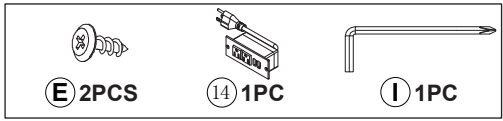
Step 7



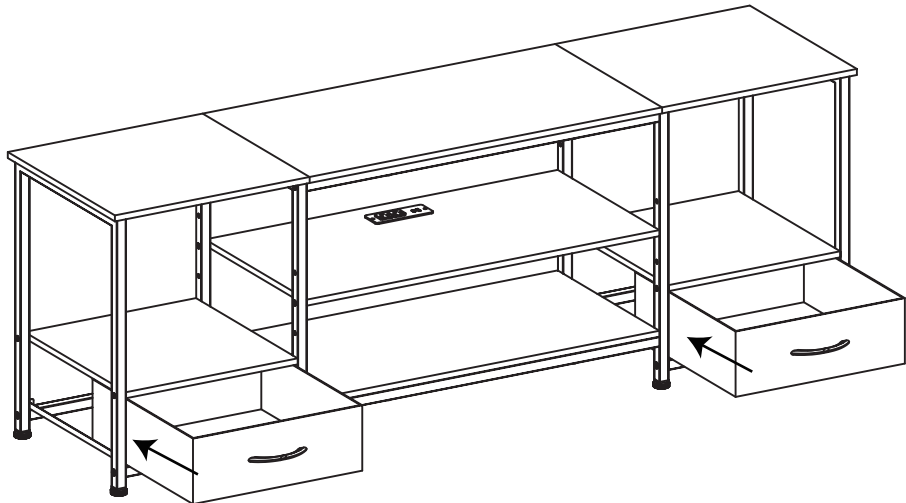
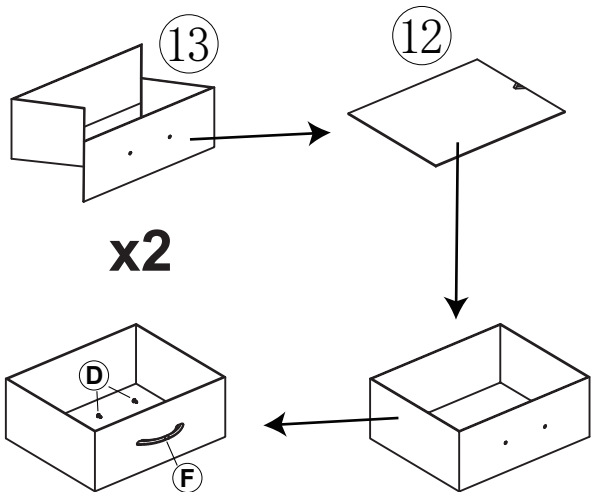
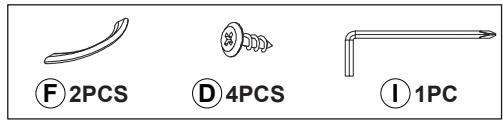
Step 8



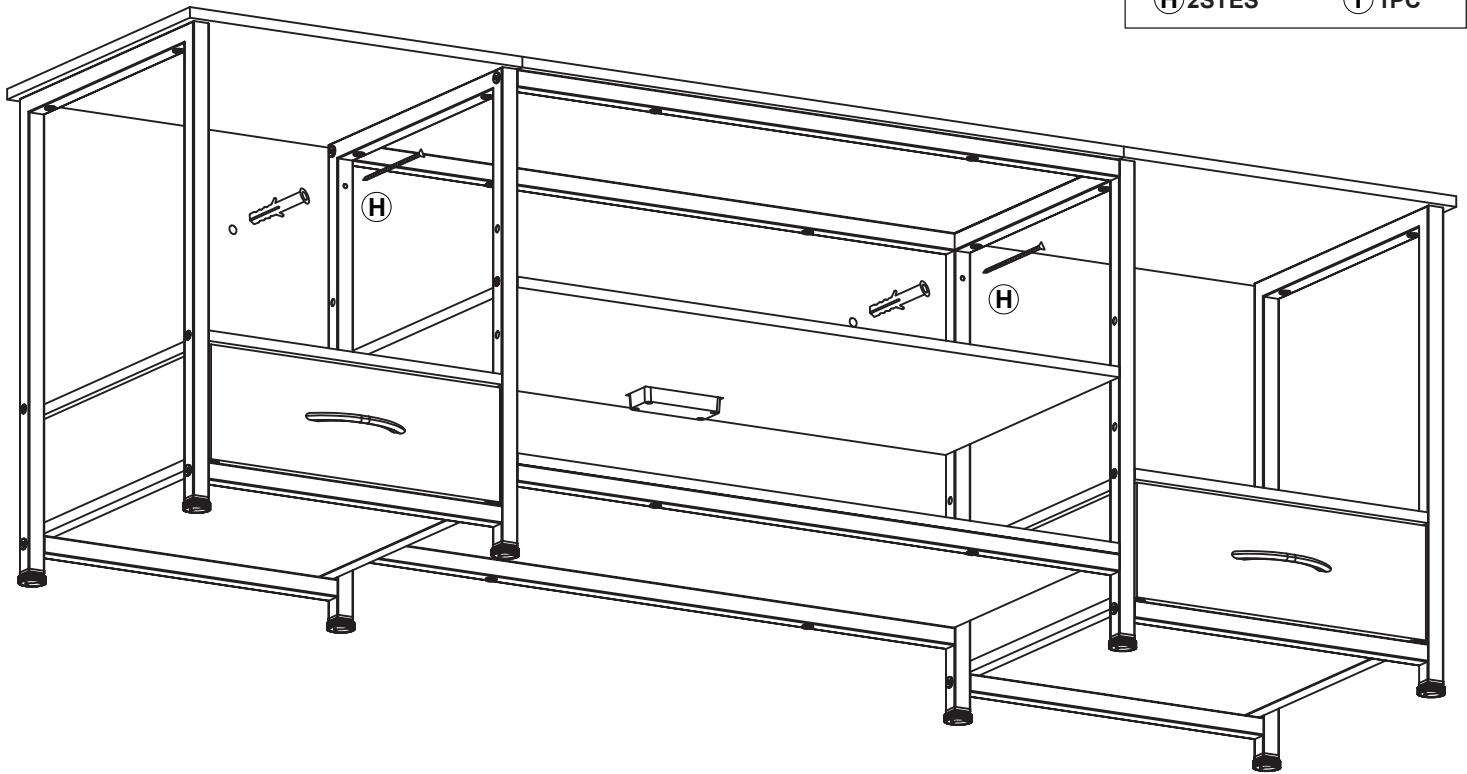
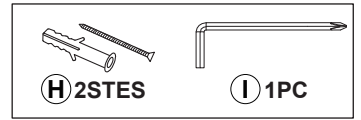
Step 9



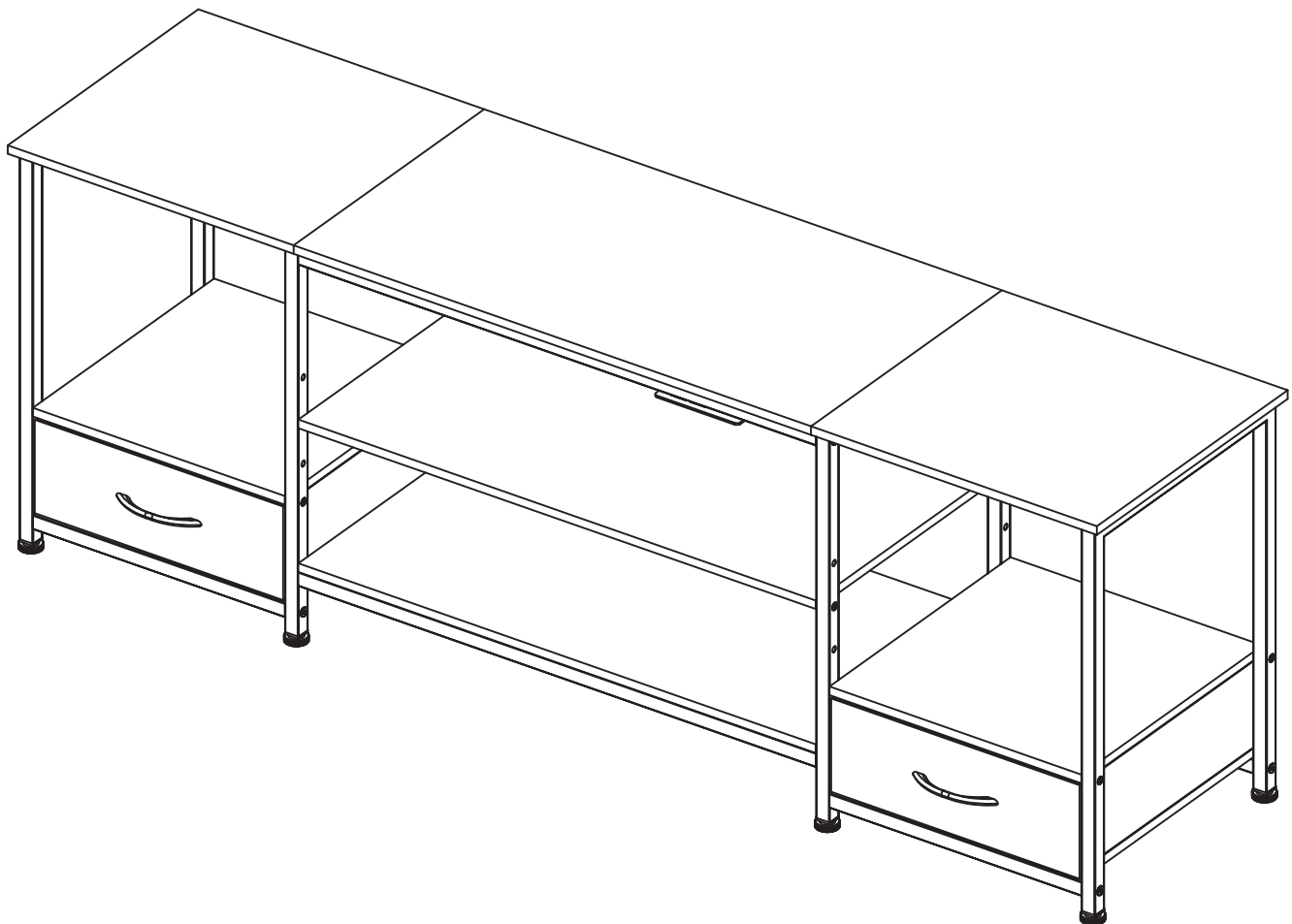
Step 10

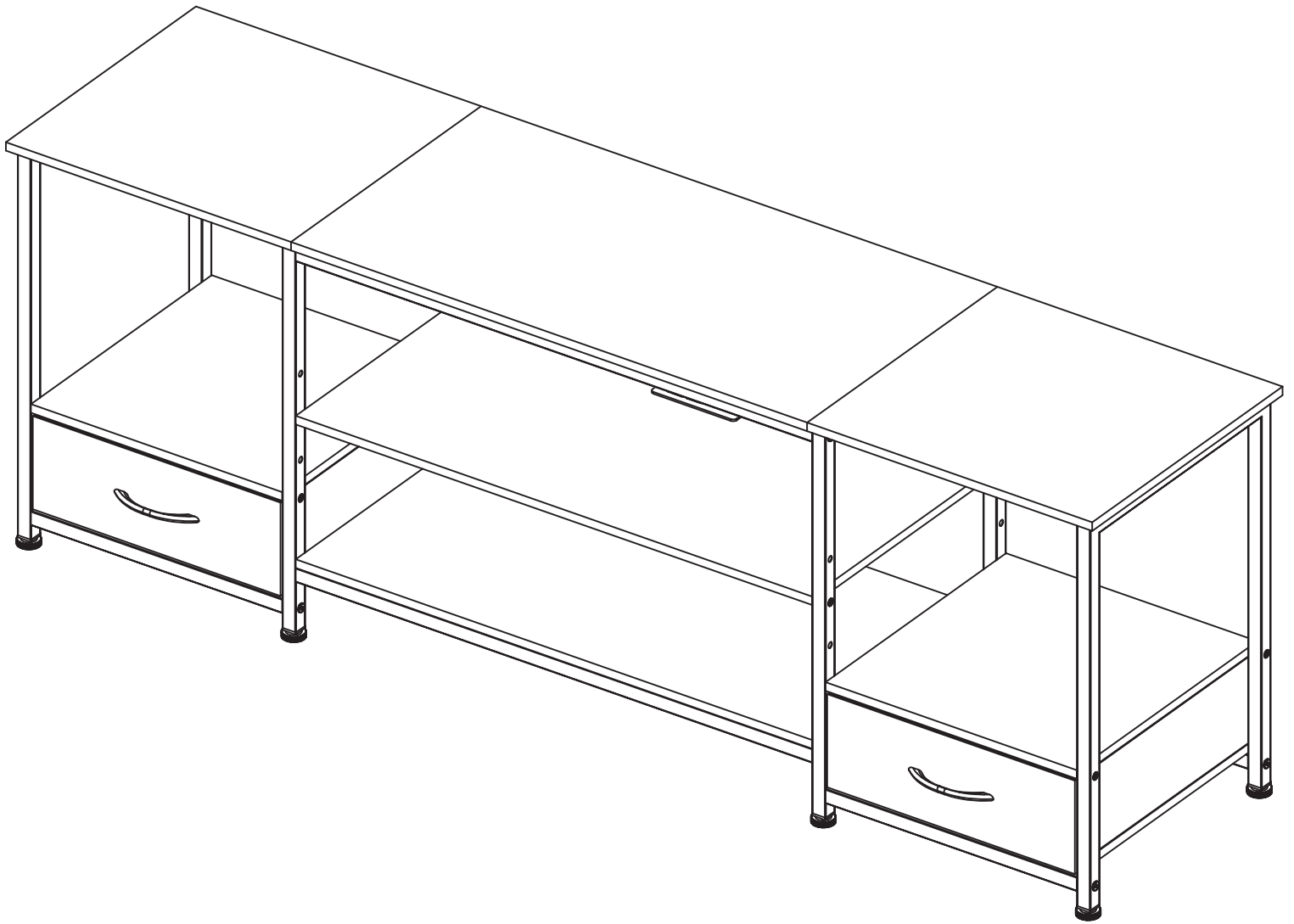


Step 11



Step 12





Technical Support

(909)637-7665 | (909)637-7593

Other Info

HJ-Customer-Service@outlook.com

Thank you for choosing this product. We strive to provide you with the best quality products and service in the industry. Should you have any issues, please don't hesitate to contact us.