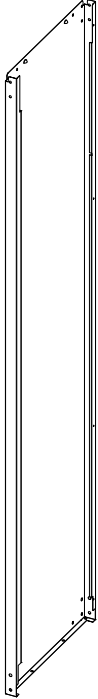
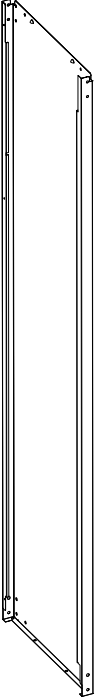
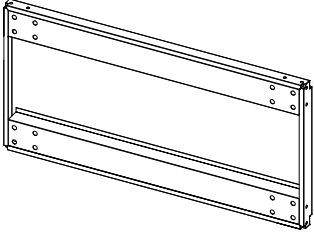
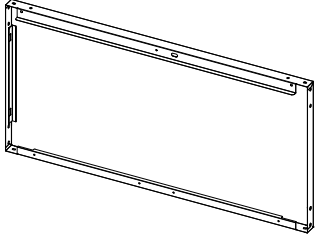
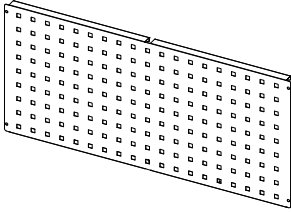
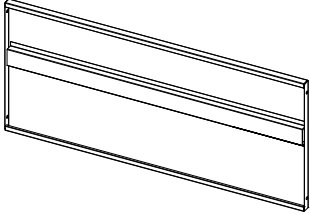
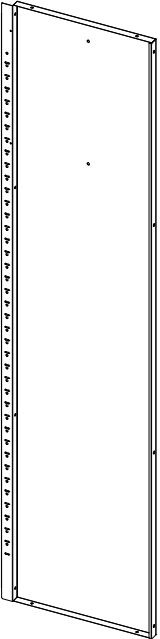
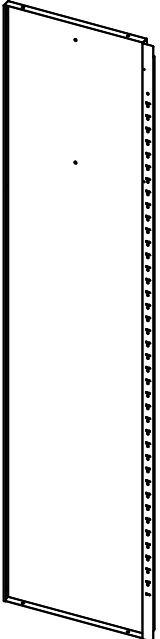
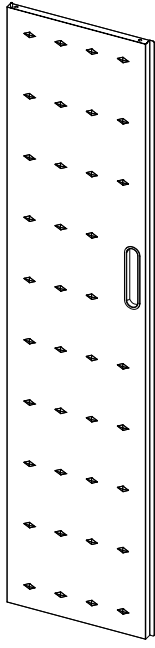
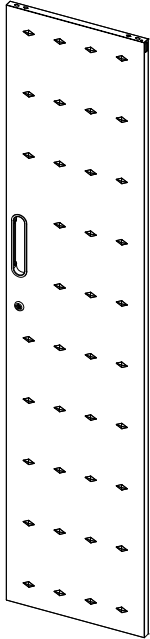


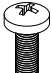




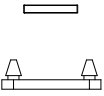


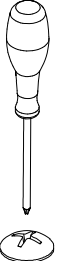

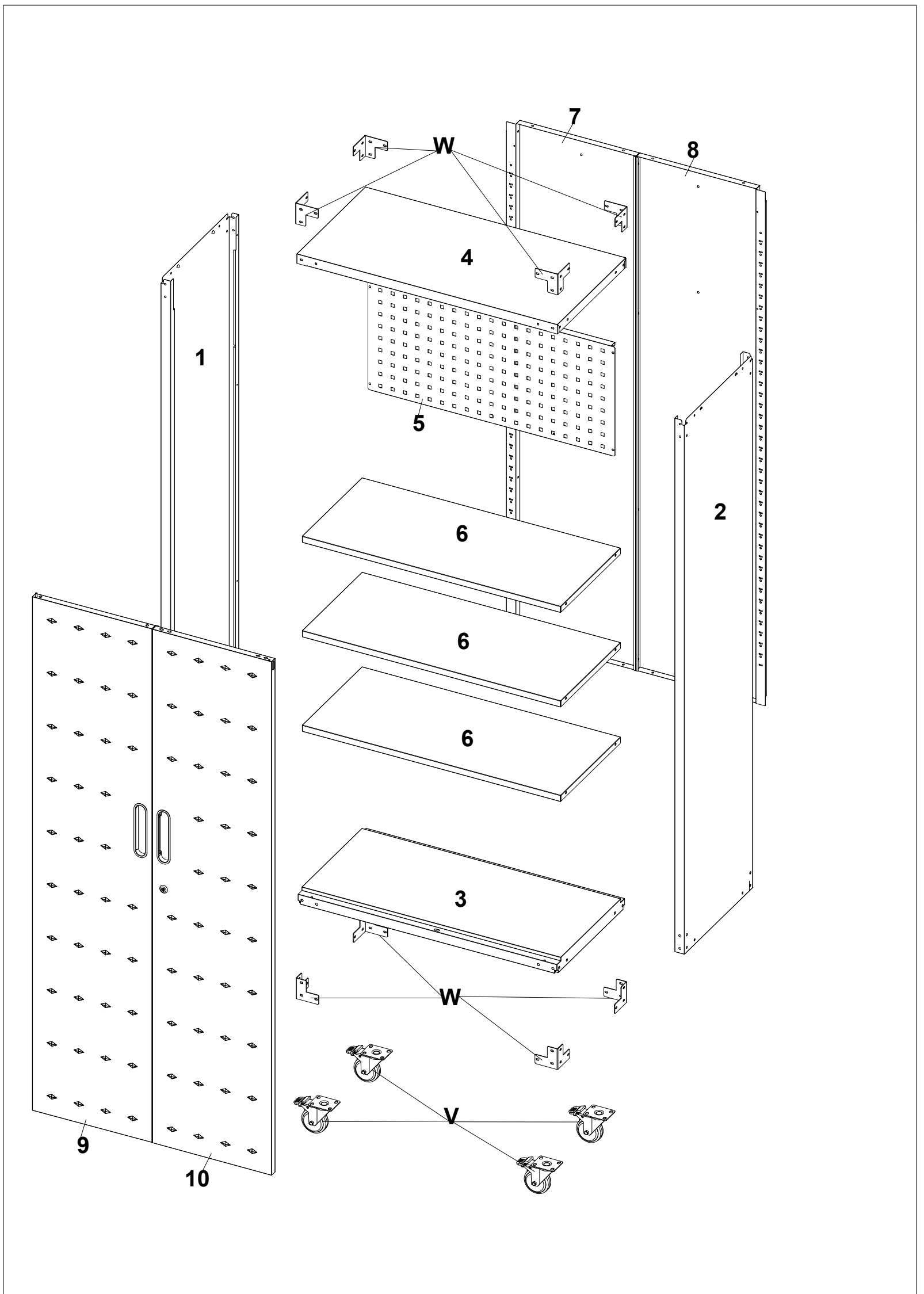
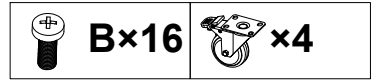
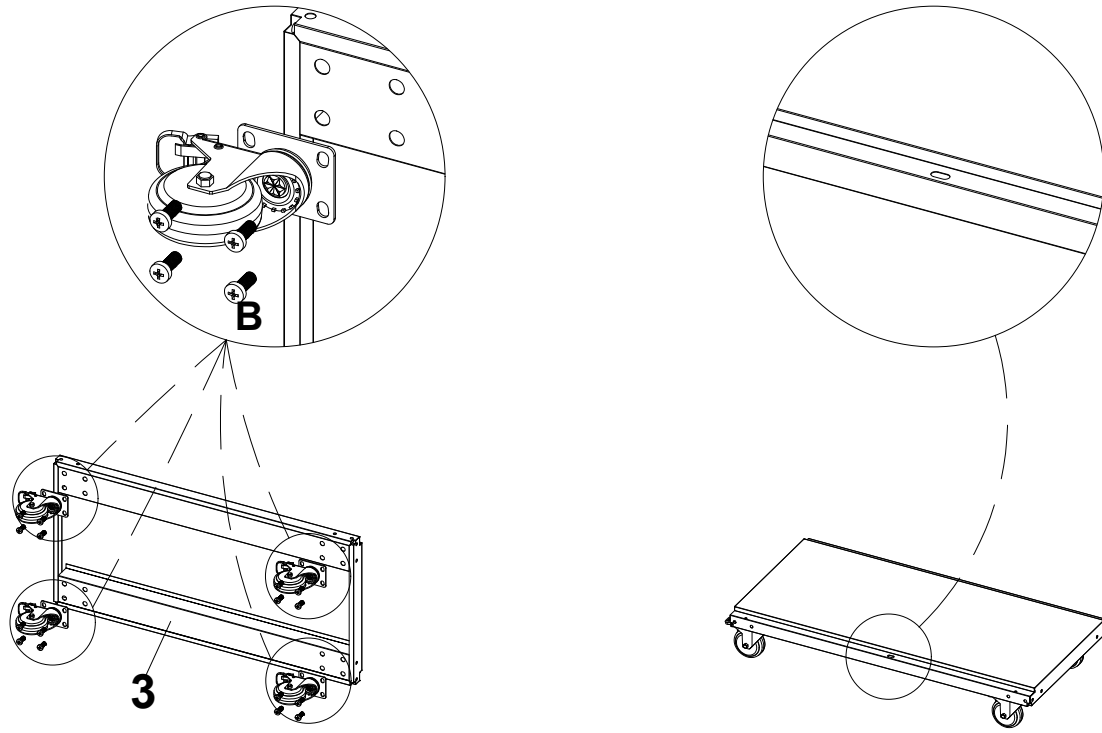


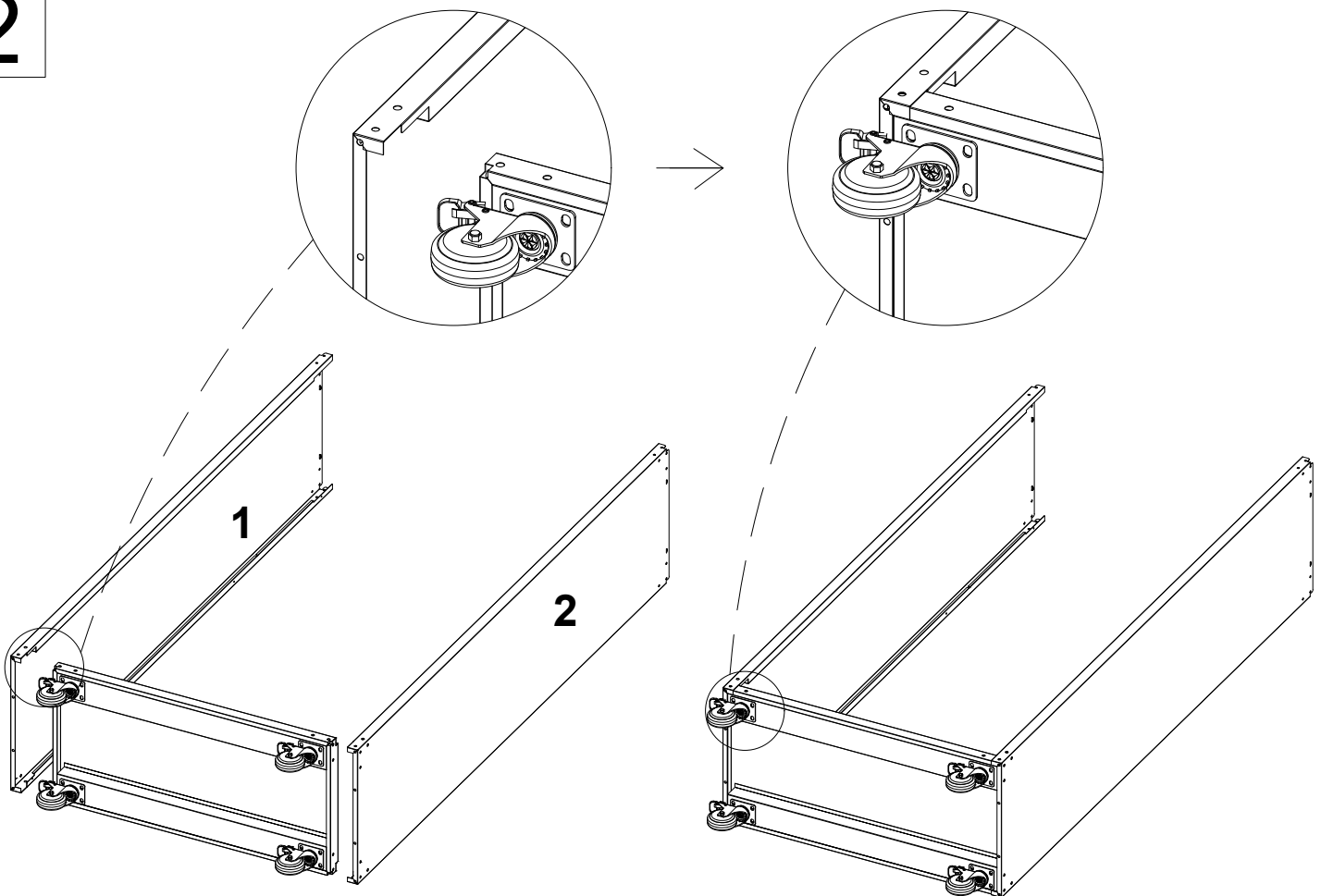
<p>1×1pc</p> 		<p>2×1pc</p> 		<p>3×1pc</p> 		<p>4×1pc</p> 	
				<p>5×1pc</p> 		<p>6×3pcs</p> 	
<p>7×1pc</p> 		<p>8×1pc</p> 		<p>9×1pc</p> 		<p>10×1pc</p> 	
<p>A×24pcs</p>  <p>M4×8mm</p>	<p>B×16pcs</p>  <p>M8×20mm</p>	<p>E×52pcs</p>  <p>M5×10mm</p>	<p>F×12pcs</p> 	<p>G×36pcs</p>  <p>M5</p>	<p>Q×12pcs</p> 	<p>R×2pcs</p> 	<p>U×4pcs</p> 
<p>4pcs</p> 	<p>W×8pcs</p> 						



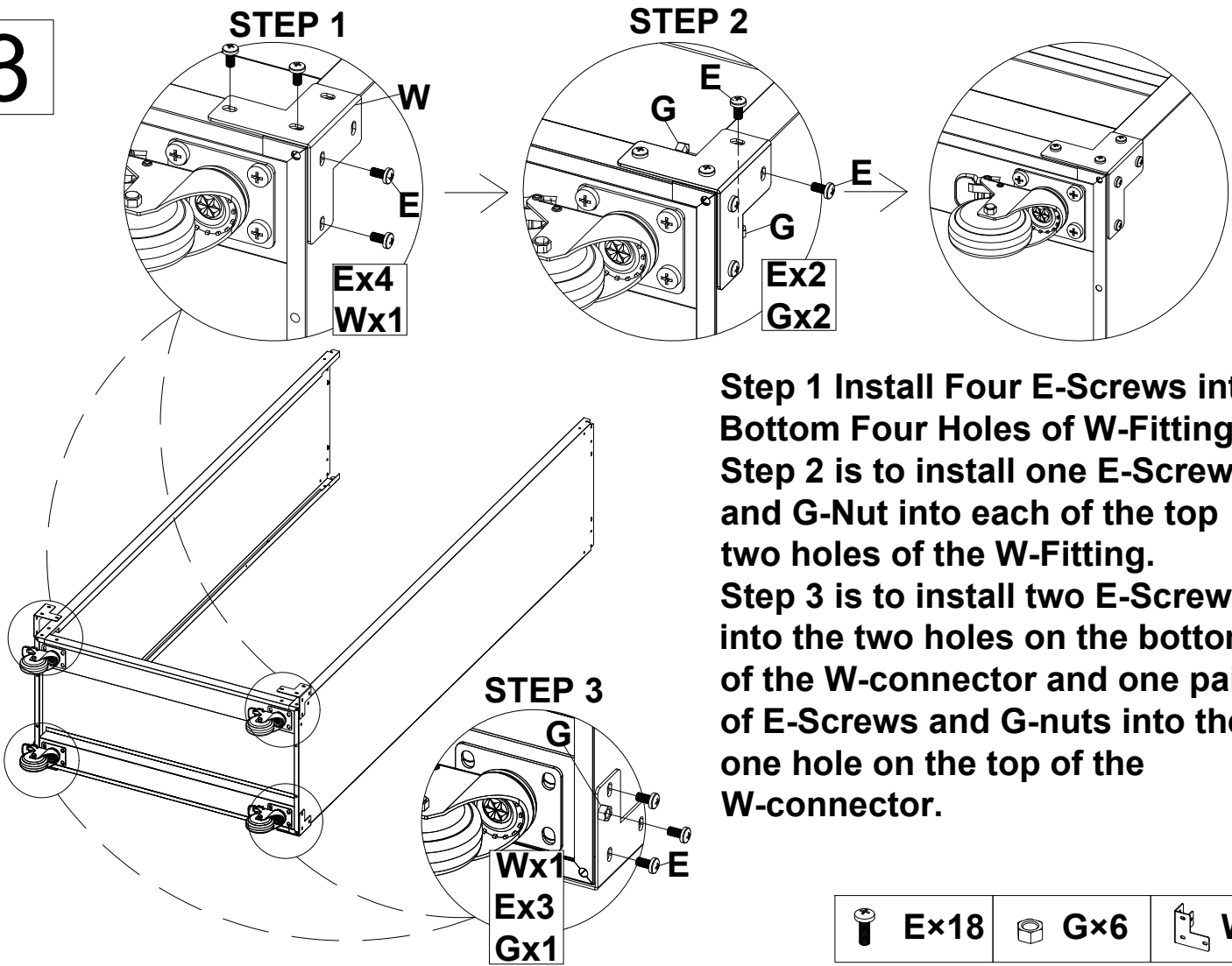
1



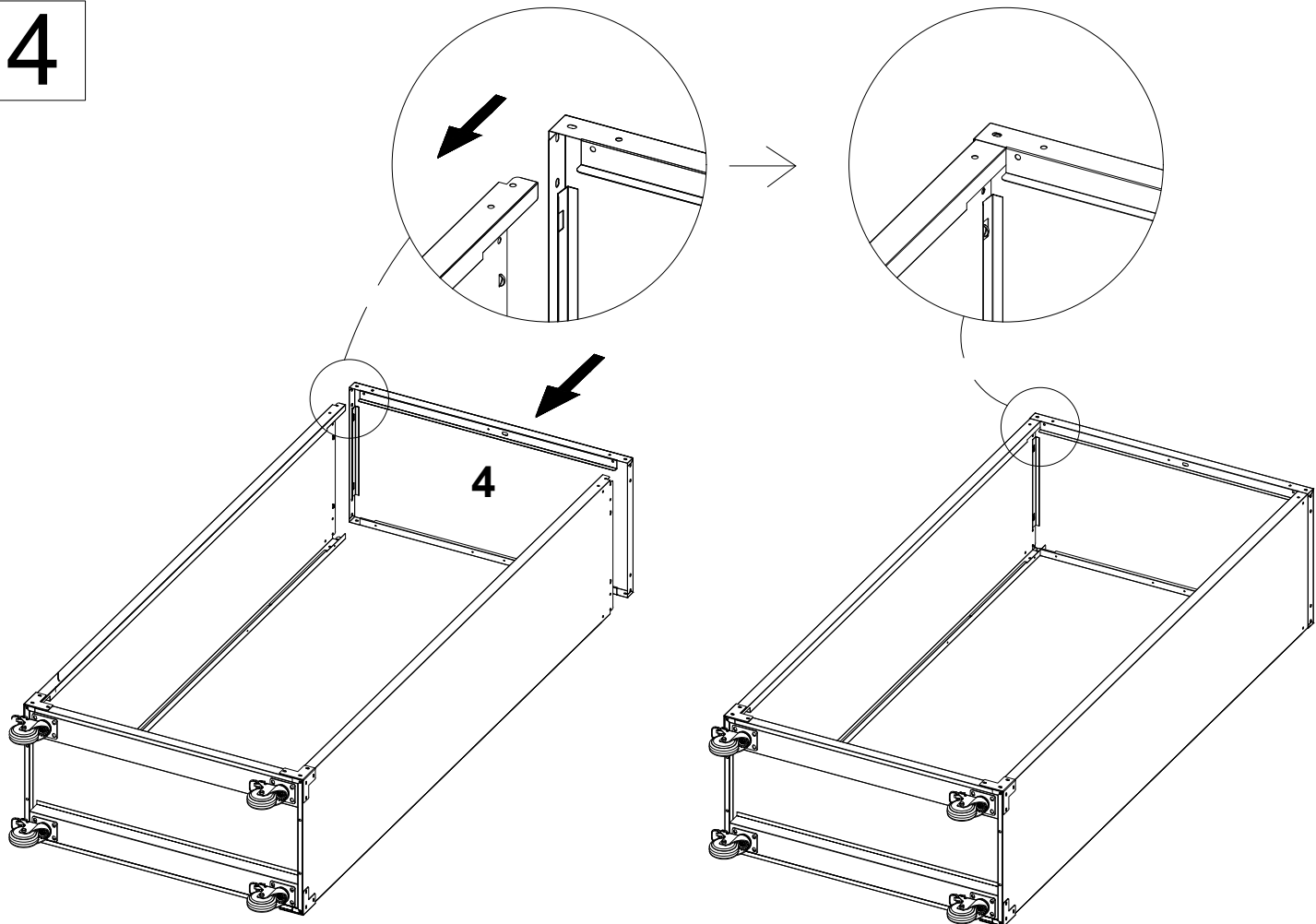
2



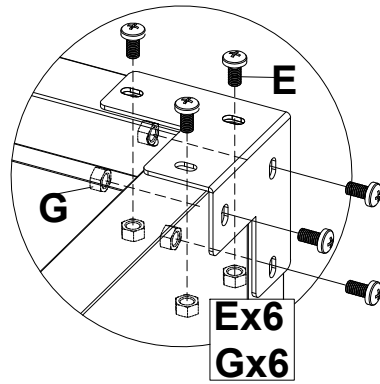
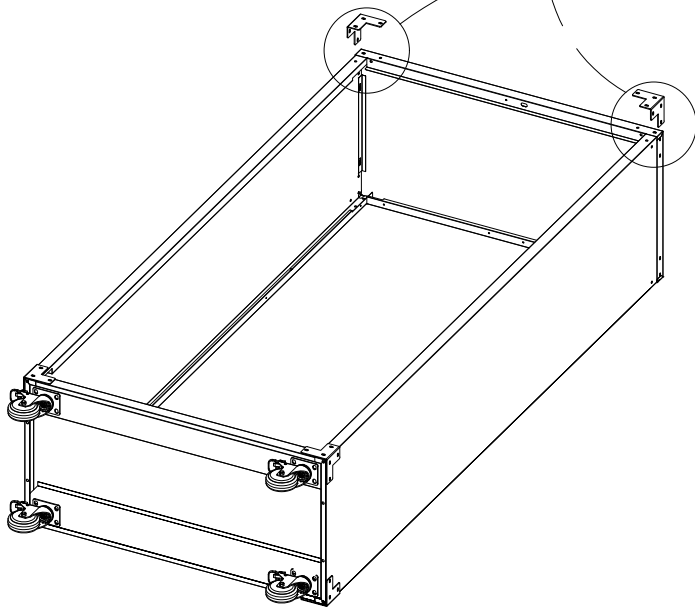
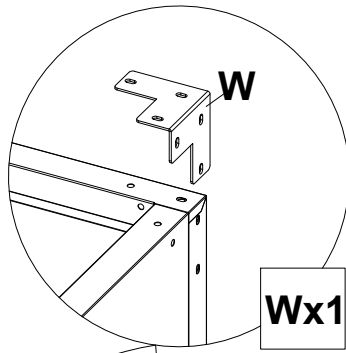
3



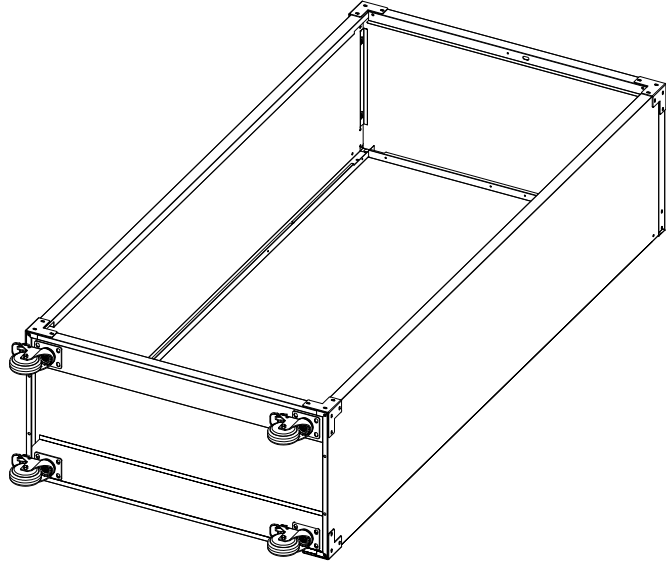
4



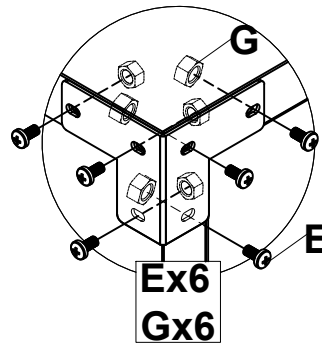
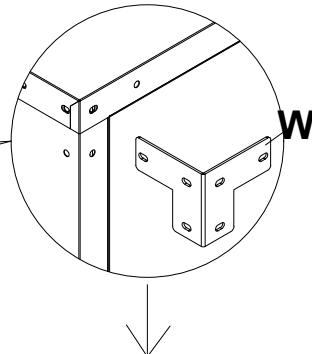
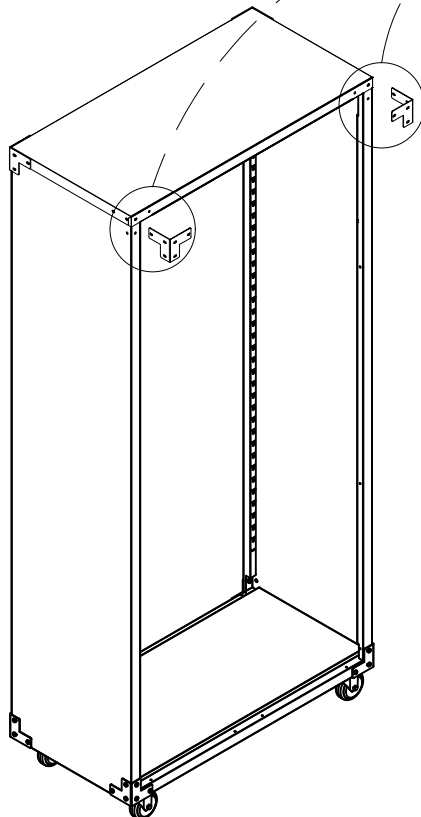
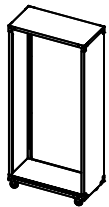
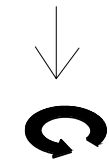
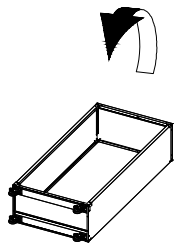
5



The E and G fittings here are used in pairs.



6

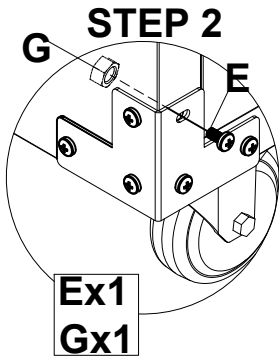
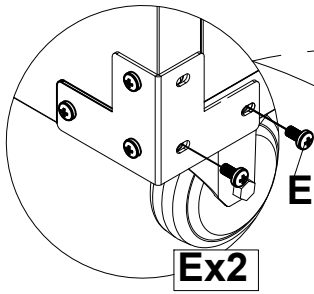


The E and G fittings here are used in pairs.

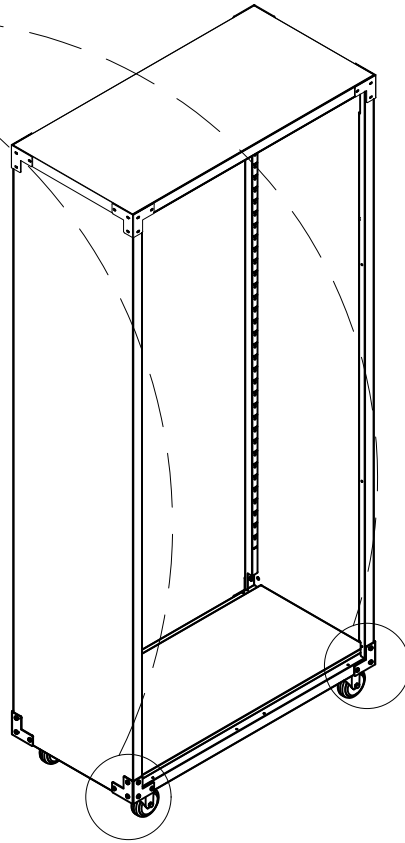


7

STEP 1



Step 1 starts with installing the two E screws to the bottom of the W fitting step 2 installs to the top of the W fitting using the E screws and G nuts.

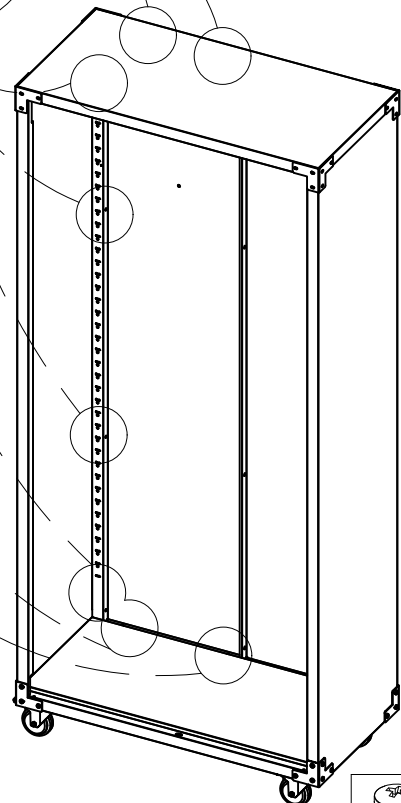
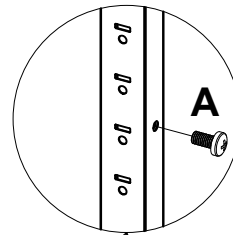
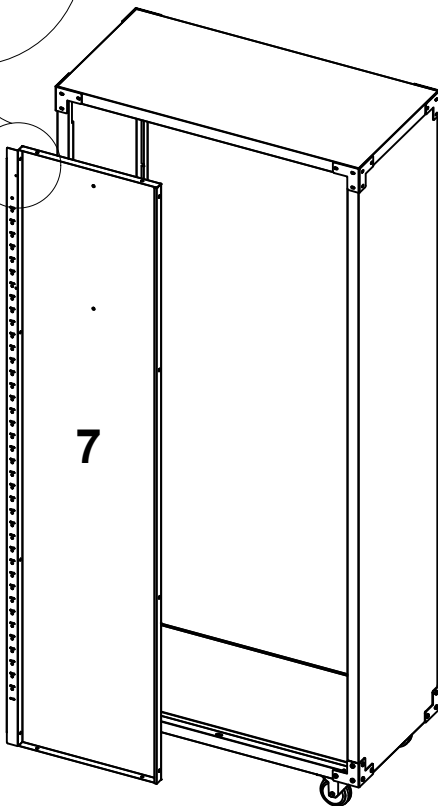
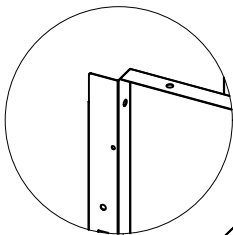


E×6



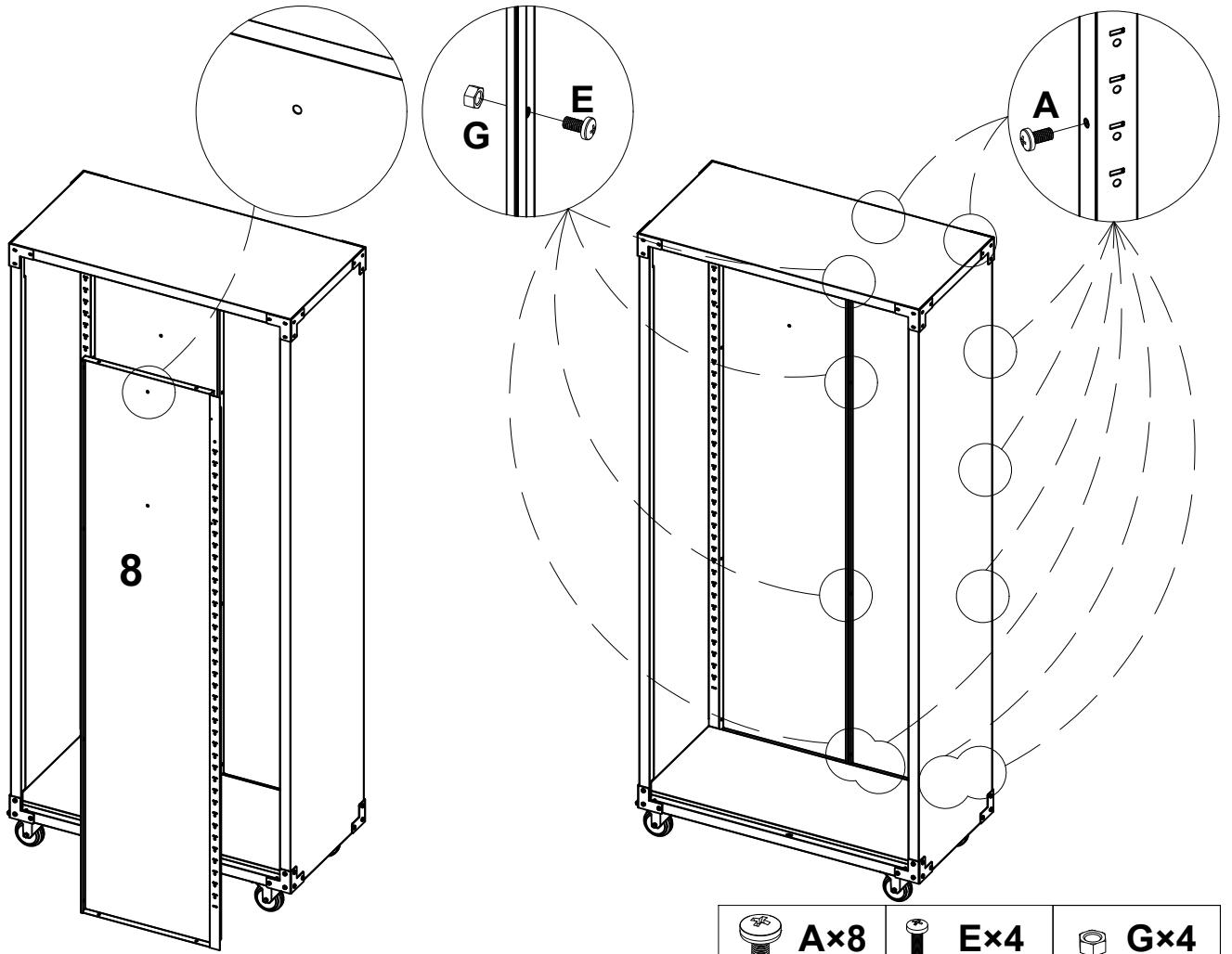
G×2

8

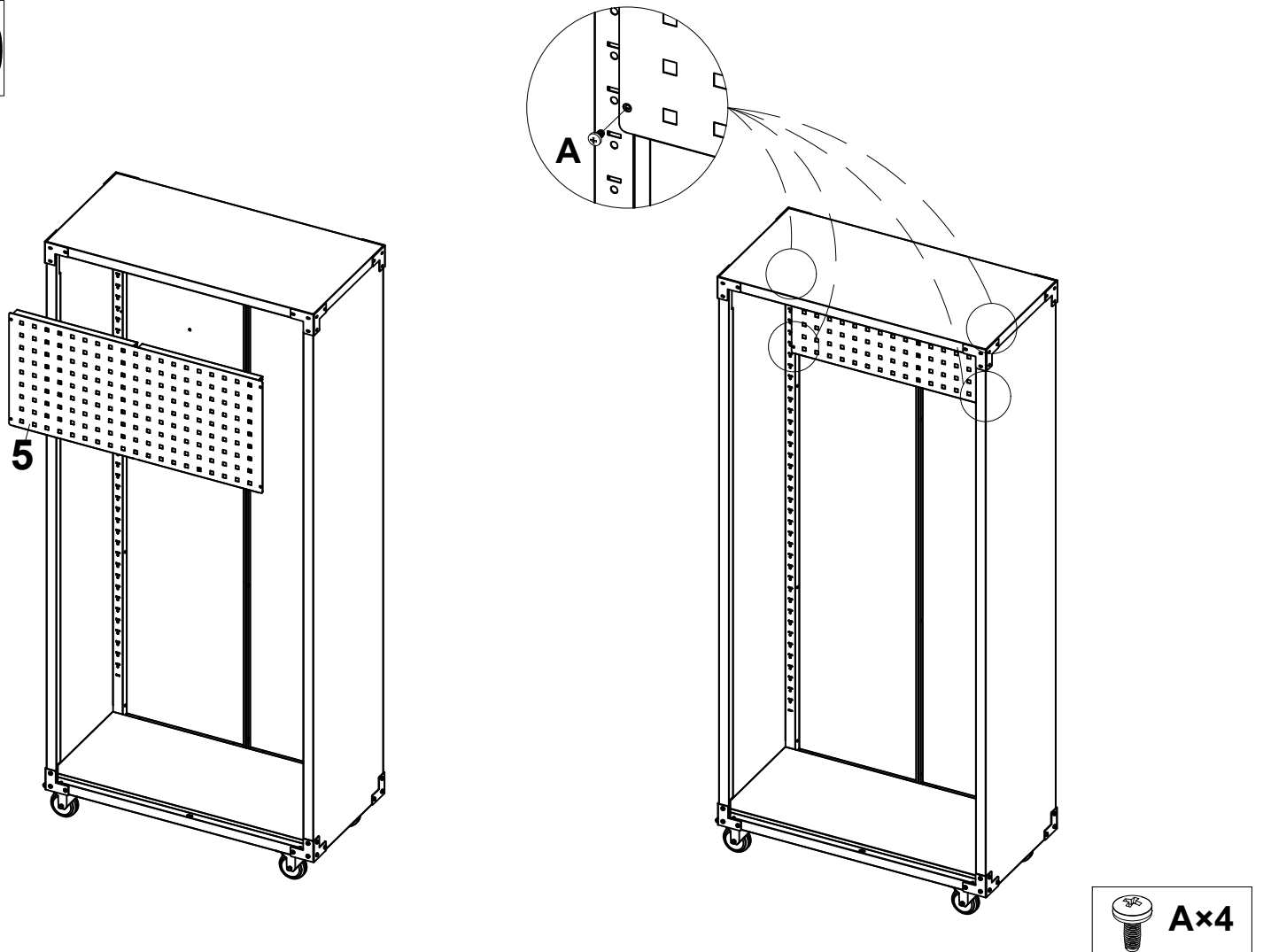


A×8

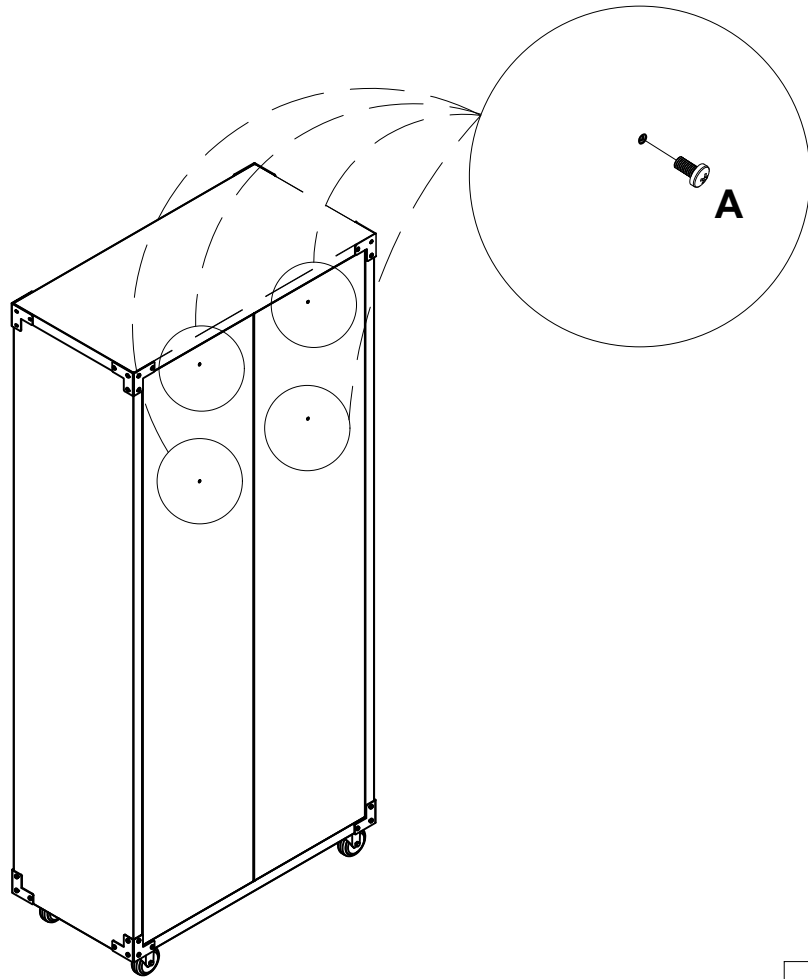
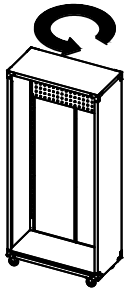
9



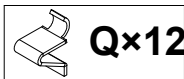
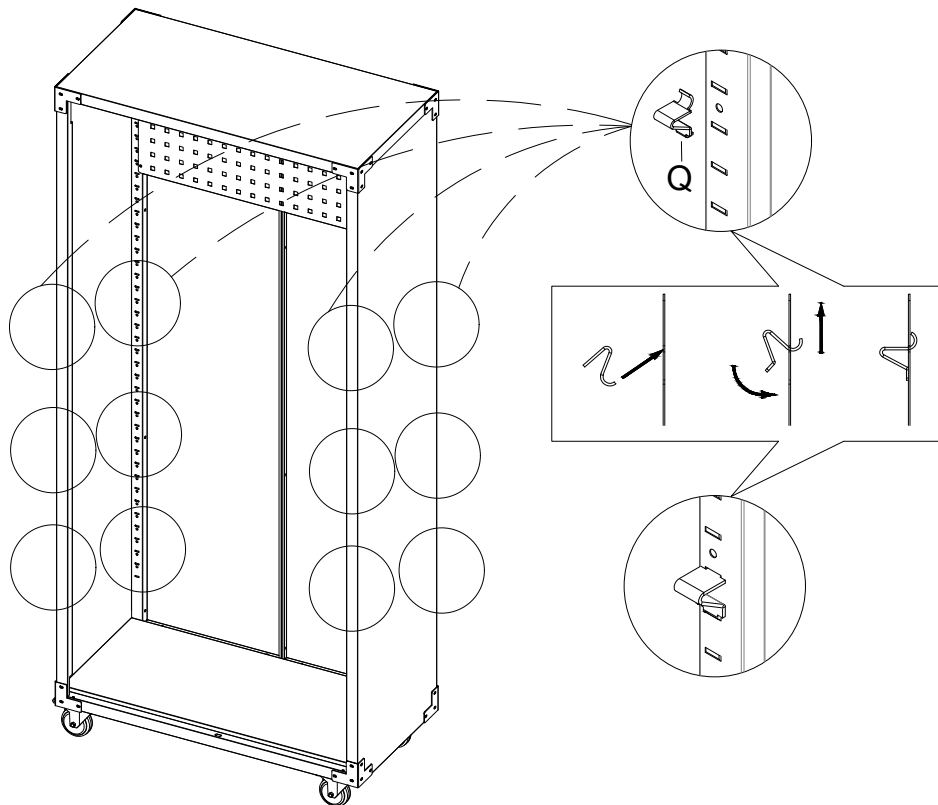
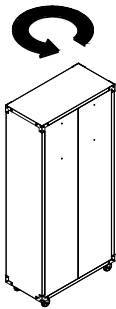
10



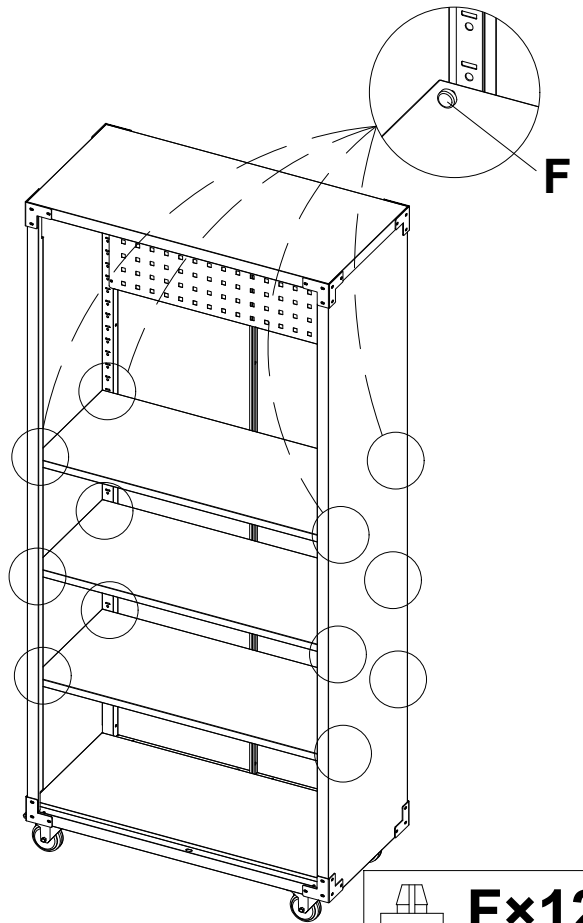
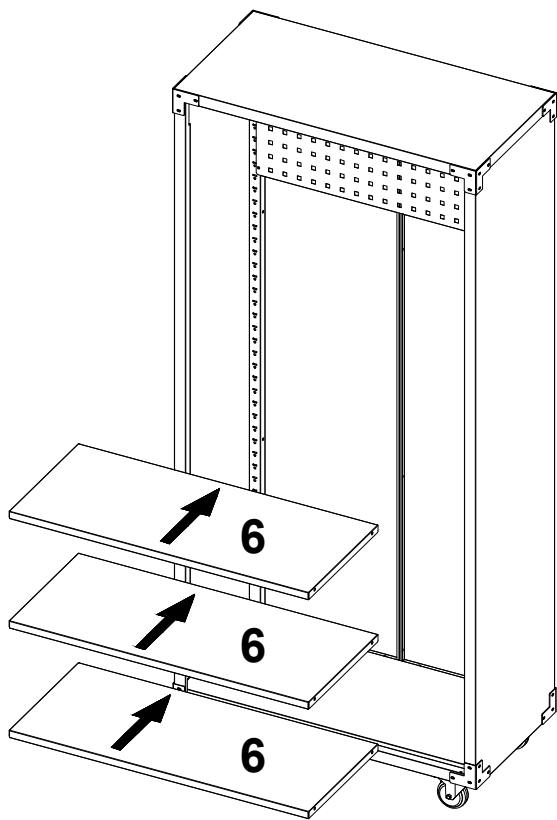
11



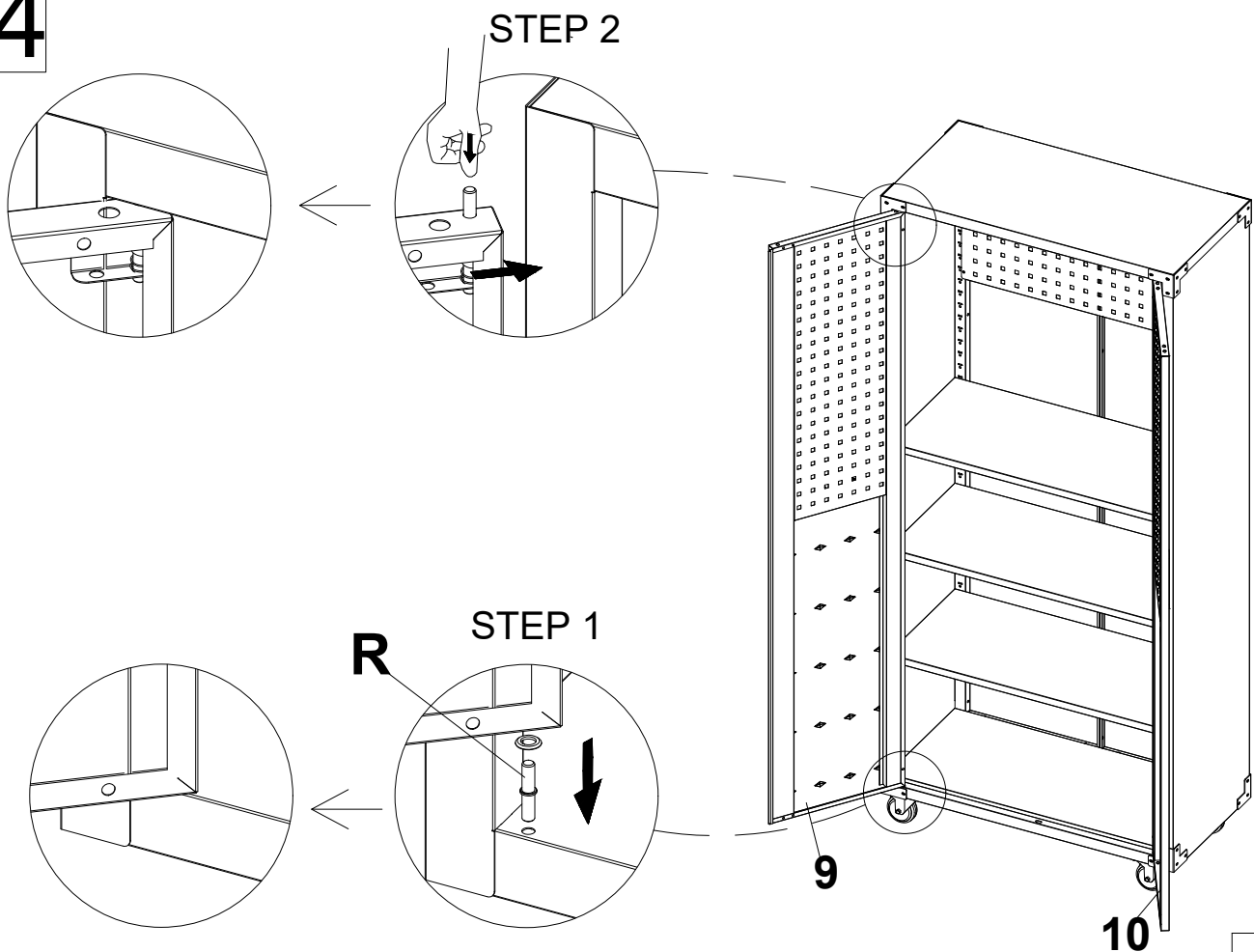
12



13

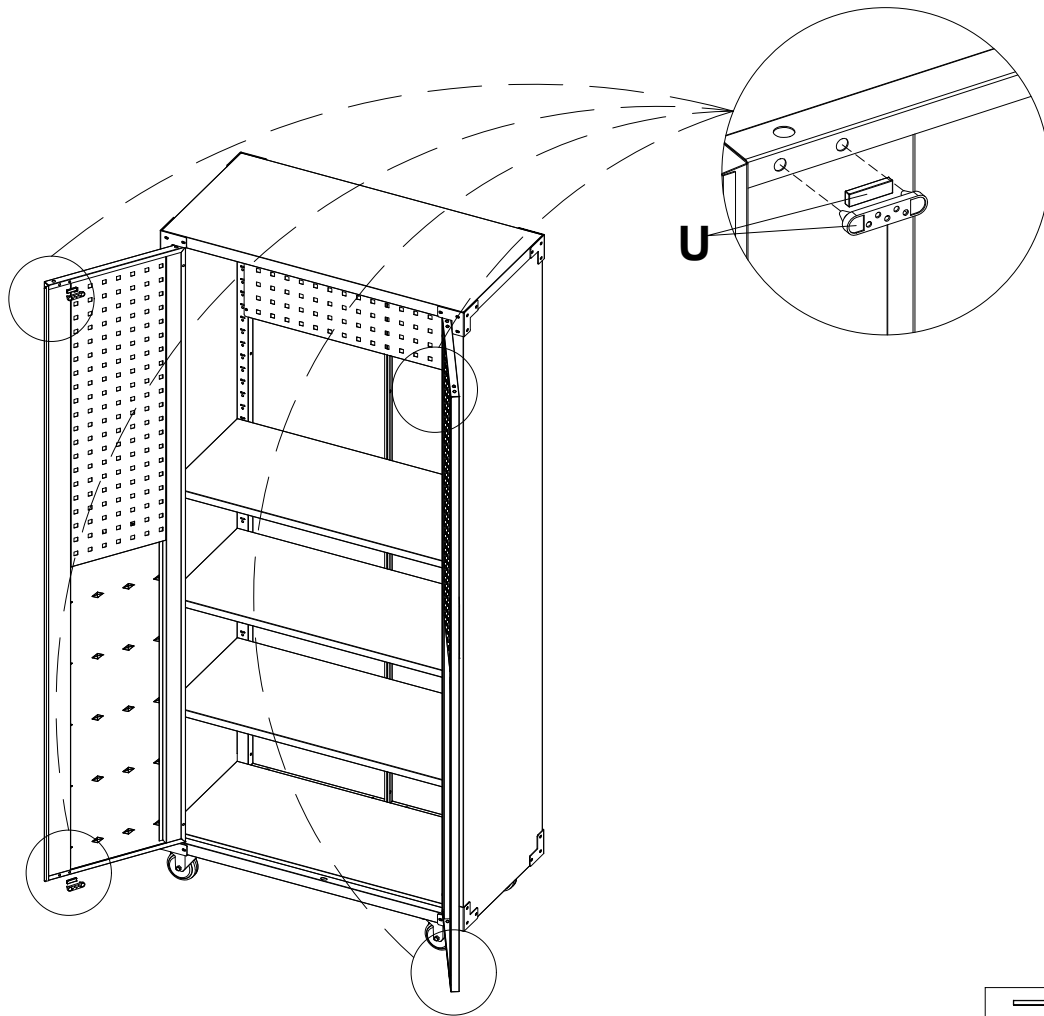


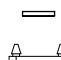
14



R x 2

15



 **Ux4**

16

