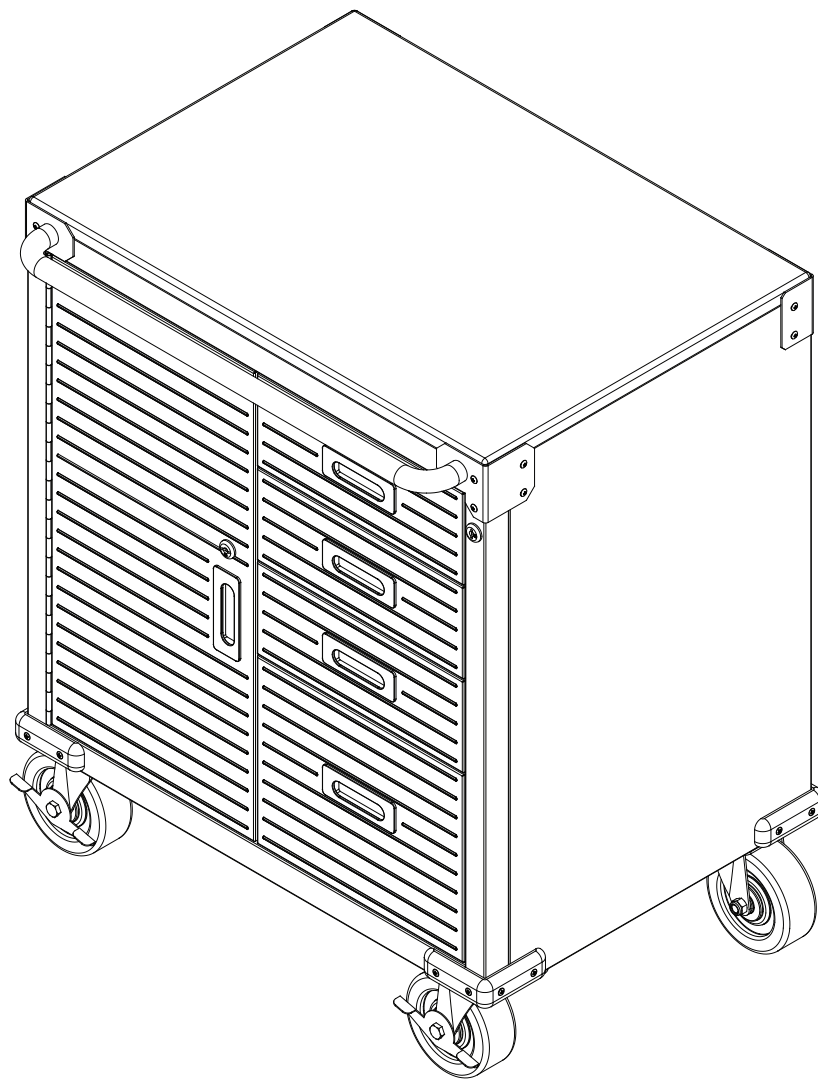


# 20205 SERIES

28" W x 34.5" H x 20" D

# ROLLING STORAGE CABINET

## INSTRUCTION MANUAL



**IF ANY PARTS ARE  
MISSING OR DAMAGED,  
OR IF YOU HAVE ANY  
QUESTIONS, PLEASE CALL  
1-866-221-8146  
service@SalmonBoy.ca**



Read and understand this instruction manual thoroughly before using the product. It contains important information for your safety, as well as operating and maintenance advice.

Keep this instruction manual for future use. Should this product be passed on to a third party, this instruction manual must be included.



Rolling Workbench Cabinet 20205 Series

# TABLE OF CONTENTS 2



TECHNICAL SPECIFICATIONS	3
SAFETY GUIDELINES	4
EXPLODED VIEW	5-6
PACKAGE CONTENTS	7-11
ASSEMBLY INSTRUCTIONS	12-21
WARRANTY	22
ADDITIONAL AND SPARE PARTS	23





# 3 TECHNICAL SPECIFICATIONS

<b>Component</b>	<b>Maximum load</b>
Solid wood board	220 lb (100 kg)
Drawers	40 lb (18 kg) each
Middle shelf	50 lb (22 kg)

**Note:** Maximum load for the cabinet is 350 lb (158.7 kg)



# SAFETY GUIDELINES 4



## Safety guidelines

Crucial information that relates to protecting your personal safety and to prevent equipment issues are contained in this manual. It is in your best interest to read this manual carefully beforehand and understand it thoroughly before assembling and using the product. Below are the symbols used to indicate this information.



### **CAUTION!**

**Potential hazard that may result in moderate injury or damage to equipment.**

**Note - The word “Note” is used to inform the reader of something the user needs to know about the tool.**

### **SAFETY RECOMMENDATIONS**

These safety precautions are for the personal safety of the user and others working on the product. Failure to comply with these instructions may cause in serious or even fatal injury, property damage and/ or equipment damage. Take time to read the instructions and fully understand them.



### **CAUTION!**

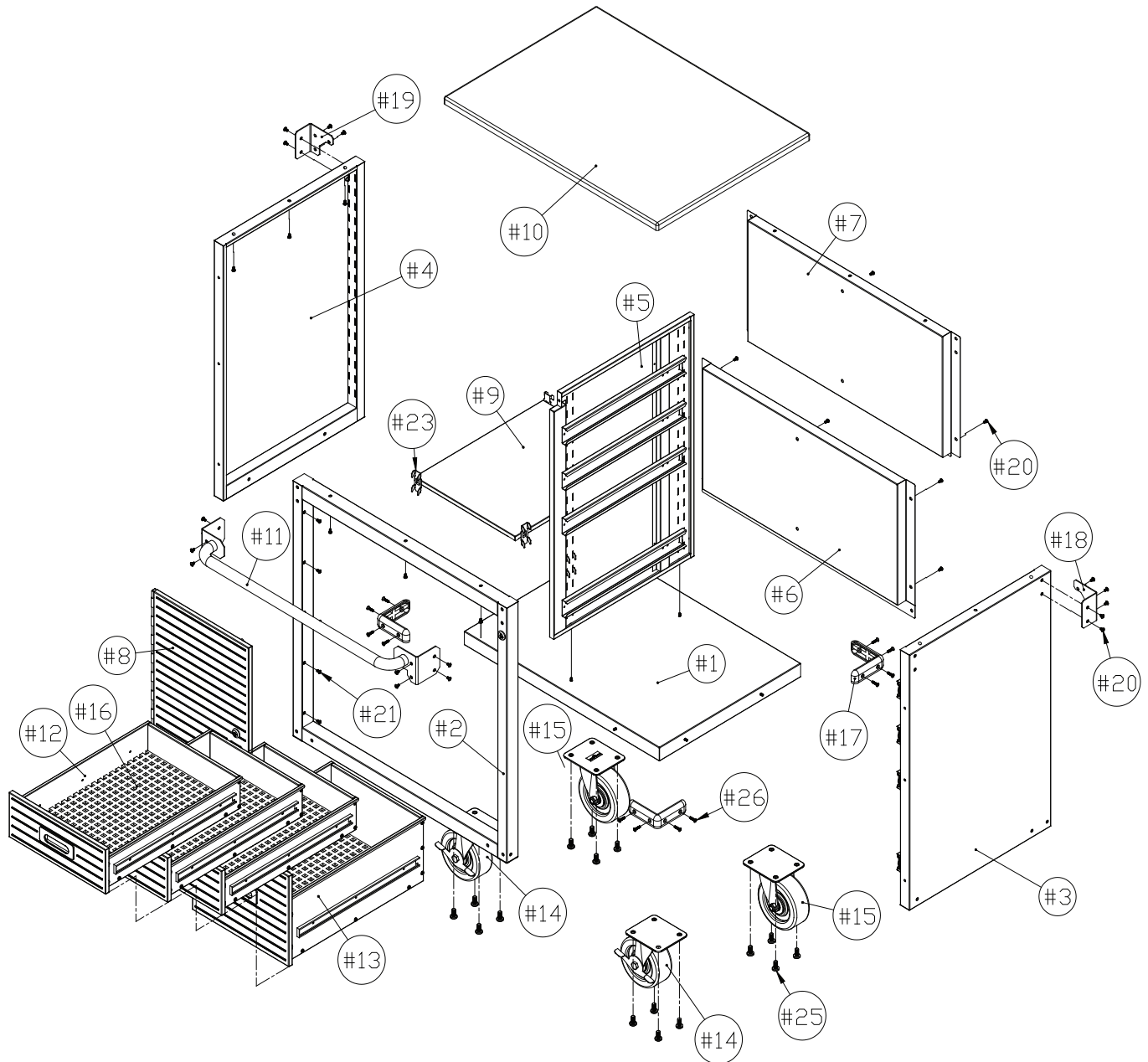
**Potential hazard that may result in moderate injury or damage to equipment.**

- Place the cabinet on a level surface.
- This product is intended for indoor use only.
- When cleaning use a soft damp to clean the cabinet.
- Do not stand on cabinet, and do not use it as a scaffold.
- Please do not exceed the weight limit specified for this product.
- Any assembly or maintenance of the product must be carried out by adults only.
- Arrange for the necessary man power when assembling and moving the cabinet.
- Check all screws periodically and tighten them, if required.



Rolling Workbench Cabinet 20205 Series

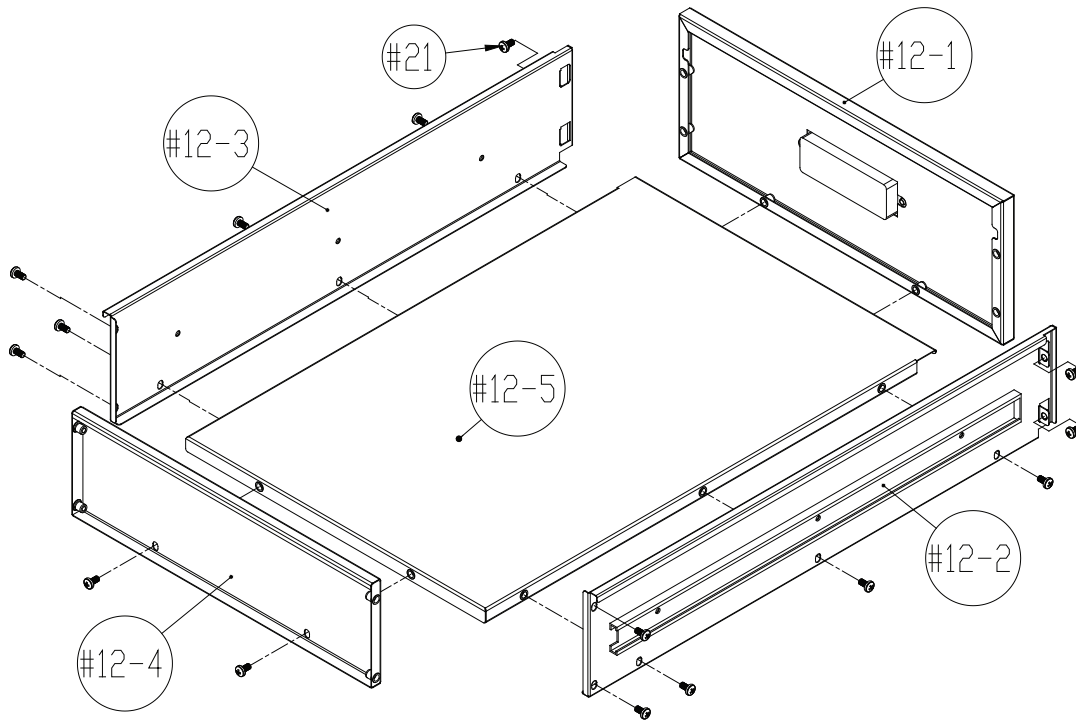
# 5 EXPLODED VIEW



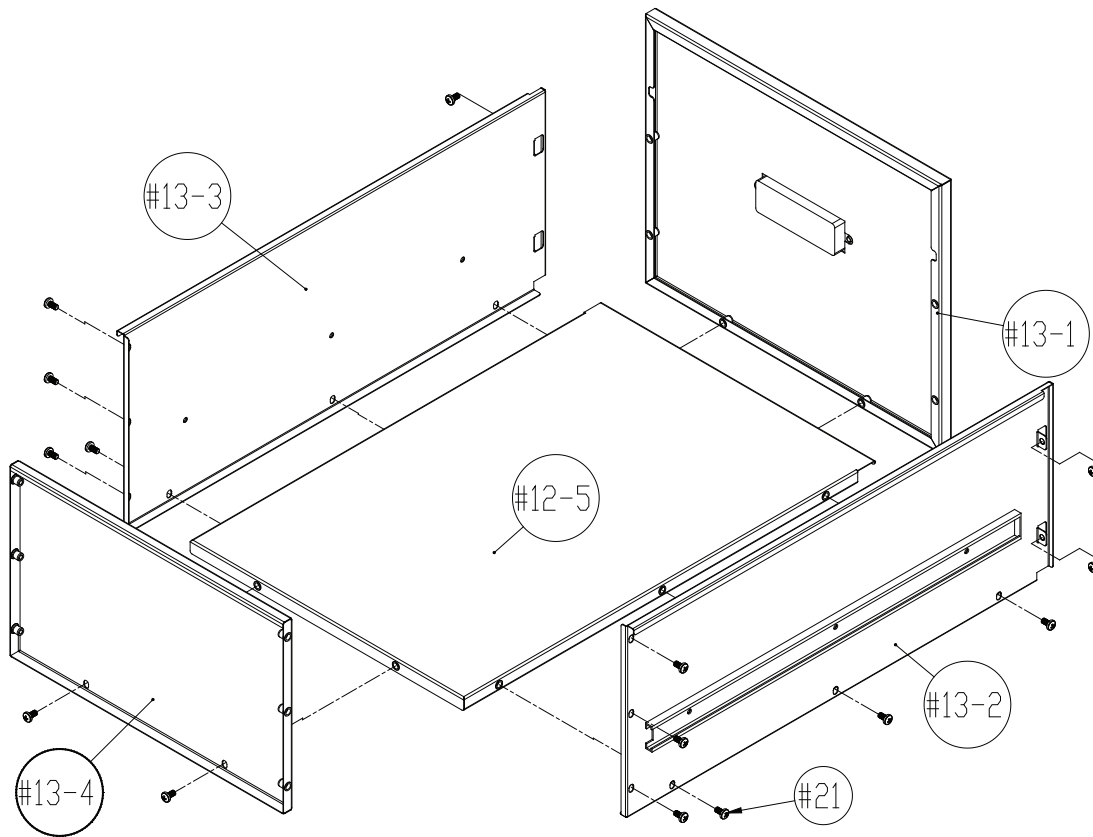
Rolling Workbench Cabinet 20205 Series

# EXPLODED VIEW 6

## Small Drawer Assembly

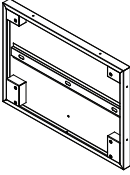
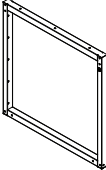
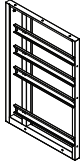
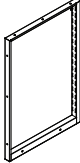
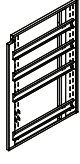
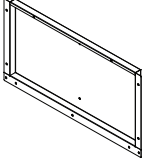
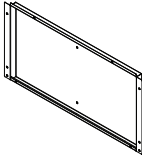



## Large Drawer Assembly



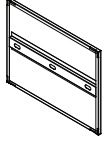
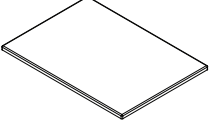
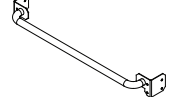
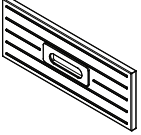
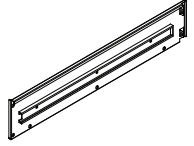
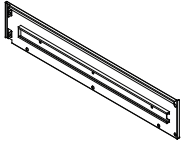
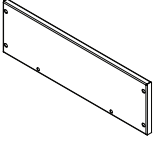
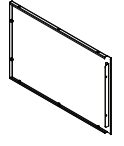
Rolling Workbench Cabinet 20205 Series

# 7 PACKAGE CONTENTS

Name	Part No.	Qty	Illustration
Bottom Panel	# 1	1	
Front Frame	# 2	1	
Right Panel	# 3	1	
Left Panel	# 4	1	
Middle Panel	# 5	1	
Bottom Back Panel	# 6	1	
Upper Back Panel	# 7	1	
Door	# 8	1	

# PACKAGE CONTENTS 8


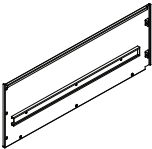
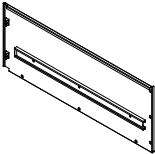
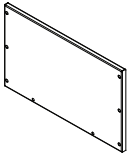


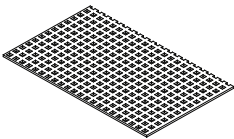
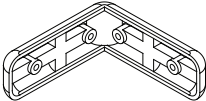


Name	Part No.	Qty	Illustration
Middle Shelf	# 9	1	
Solid Hardwood Top	# 10	1	
Push Bar	# 11	1	
Small Drawer Front Panel	# 12-1	3	
Small Drawer Left Panel	# 12-2	3	
Small Drawer Right Panel	# 12-3	3	
Small Drawer Back Panel	# 12-4	3	
Drawer Base Panel	# 12-5	4	

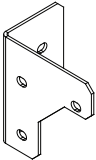
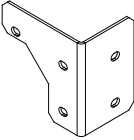
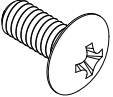
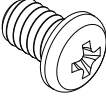
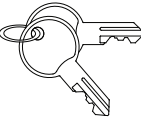
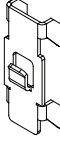
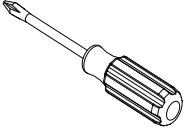
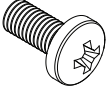


Rolling Workbench Cabinet 20205 Series

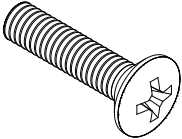
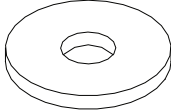
# 9 PACKAGE CONTENTS

Name	Part No.	Qty	Illustration
Large Drawer Front Panel	# 13-1	1	
Large Drawer Left Panel	# 13-2	1	
Large Drawer Right Panel	# 13-3	1	
Large Drawer Back Panel	# 13-4	1	
Swivel Wheel With Brake	# 14	2	
Swivel Wheel W/O Brake	# 15	2	
Drawer Mat	# 16	4	
Bumper	# 17	4	

# PACKAGE CONTENTS 10

Name	Part No.	Qty	Illustration
Right Back Corner Protector	# 18	1	
Left Back Corner Protector	# 19	1	
Screw A (M4 x 10)	# 20	58	
Screw B (M4 x 8L)	# 21	79	
Door / Drawer Key	# 22	2	
Hook	# 23	4	
Phillips Screwdriver	# 24	1	
Screw D (M8 x 18)	# 25	16	

# 11 PACKAGE CONTENTS

Name	Part No.	Qty	Illustration
Screw C (M4 x 18)	# 26	16	
Washer (M4)	# 27	4	



# ASSEMBLY INSTRUCTIONS 12

## Assembly preparation

- Assemble the workbench on a clean, level surface.
- Remove all items from the packaging box and ensure that all parts listed on pages 7-11 are available.
- When installing parts that have more than one screw, tighten all screws by hand before tightening them with the screwdriver provided.

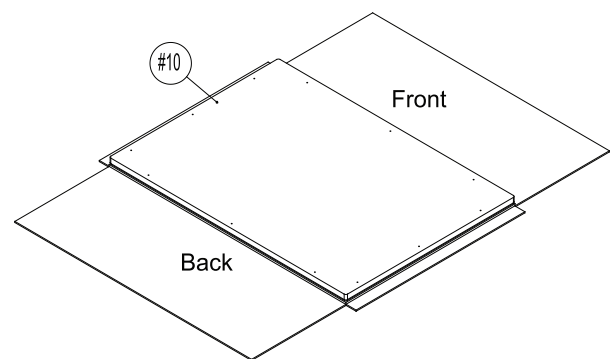
**Tip:** A magnetic screwdriver is included. If utilizing a power screwdriver, use low torque setting.

**Warning:** It is recommended to wear gloves during assembly because some parts may have sharp edges.

## Assembly instructions *fig A*

- 1.** Open the package, remove and place all parts to the side. Then open the package of the Solid Hardwood Top (#10). (*fig A*)

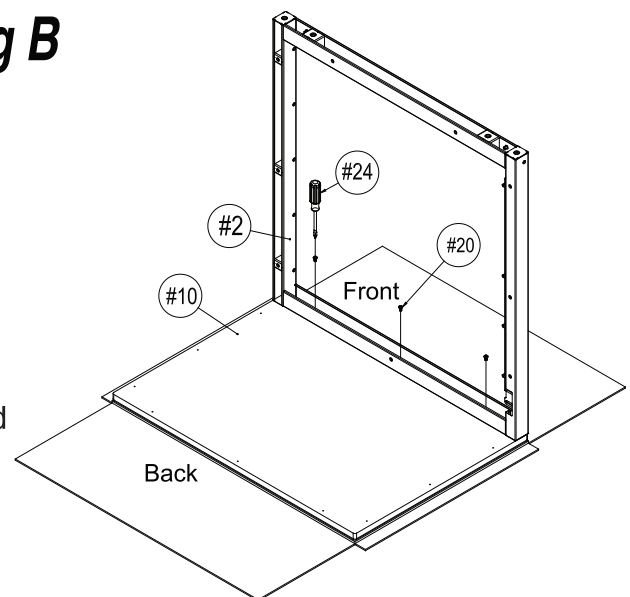
**Note:** Assembling the cabinet frame starts in a upside-down position.



- 2.** Install Front Frame (#2). (*fig B*)

Find the Front Frame (#2) and connect to the "Front" of the Solid Hardwood Top (#10) using the provided Screw Driver (#24) and Screw A (#20).

**Note:** The screw holes have some tolerance so make sure that the top and sides of the Front Frame are aligned with the Solid Hardwood Top – avoiding the need to make slight adjustments later.



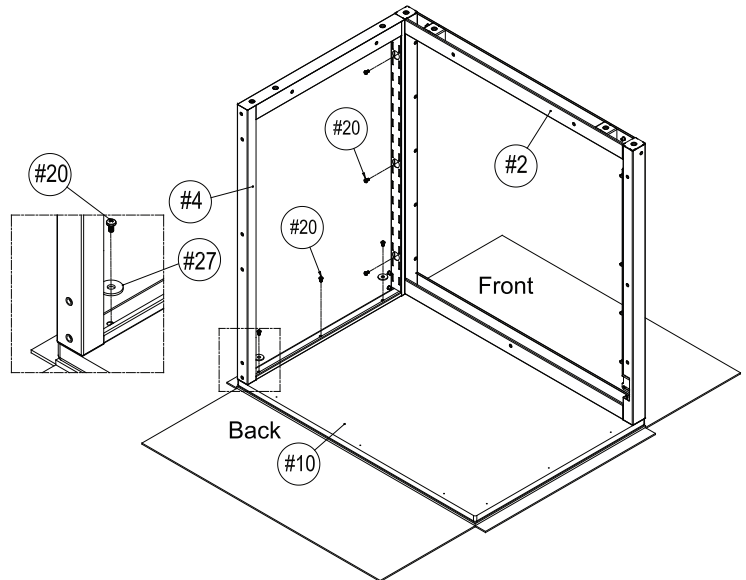
Rolling Workbench Cabinet 20205 Series

# 13 ASSEMBLY INSTRUCTIONS

## 3. Install the Left Panel (#4). ( fig C )

Connect the Left Panel (#4) to Front Frame (#2) and Solid Hardwood Top (#10). Make sure the “Top” of the Left Panel (#4) is on the Solid Hardwood Top (#10) and the screw holes are aligned to the Front Frame (#2). Use Screw Driver (#24) and Screw A (#20) with Washer (#27) to secure the Left Panel (#4) to the Front Frame (#2) and then to the Solid Hardwood Top (#10).

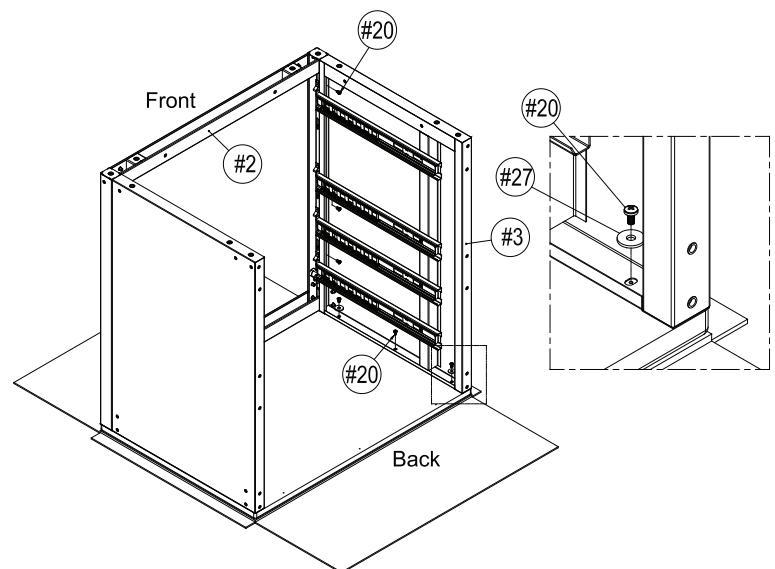
**fig C**



## 4. Install the Right Panel (#3). ( fig D )

Connect the Right Panel (#3) to Front Frame (#2). Make sure the “Top” of the Right Panel (#3) is on the Solid Hardwood Top (#10). Use Screw Driver (#24) and Screw A (#20) with Washer (#27) to secure the Right Panel (#3) to the Front Frame (#2) and then to the Solid Hardwood Top (#10).

**fig D**



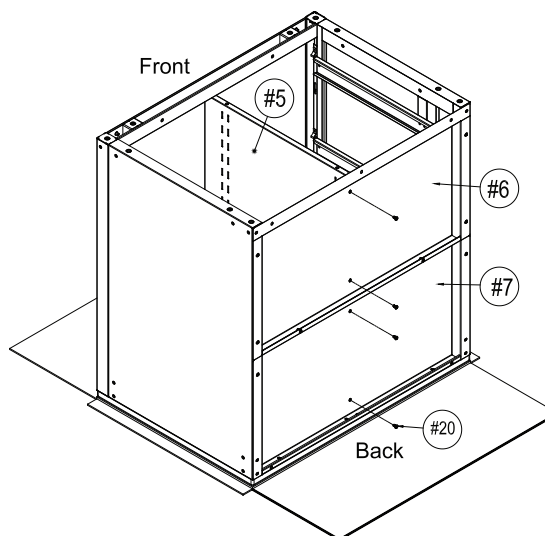
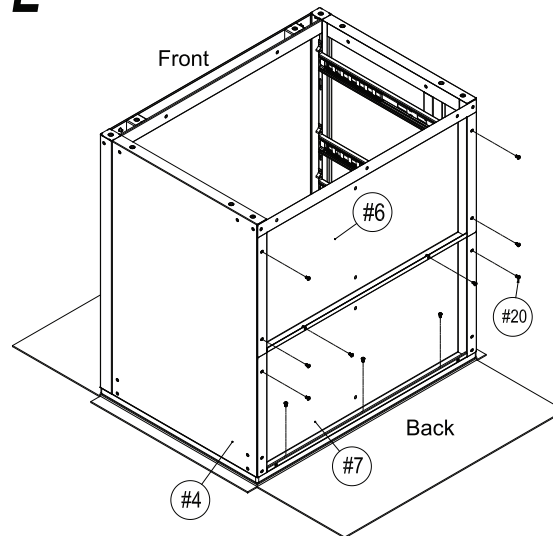
# ASSEMBLY INSTRUCTIONS 14

## 5. Install the Upper Back Panel (#7) and Bottom Back Panel (#6). (fig E)

a). Connect the Upper Back Panel (#7) between the Left Panel (#4) and Right Panel (#3). Make sure the “Top” of the Upper Back Panel (#7) is to the Solid Hardwood Top (#10) as the sticker indicates. Align the screw holes and use Screw A (#20) to secure the Upper Back Panel to the Solid Hardwood Top (#10), Left Panel (#4) and Right Panel (#3).

b). Connect Bottom Back Panel (#6) between the Left Panel (#4) and Right Panel (#3). Make sure the “Top” of the Bottom Back Panel (#6) is on the Upper Back Panel (#7) as the sticker indicates. Align the screw holes and use Screw A (#20) to secure the Bottom Back Panel (#6) to the Upper Back Panel (#7), Left Panel (#4) and Right Panel (#3).

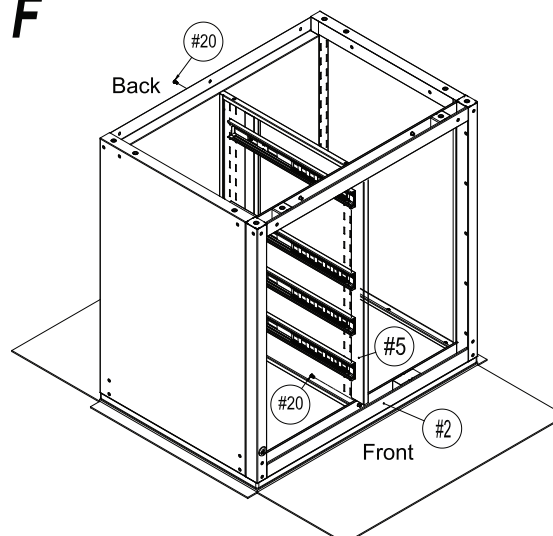
fig E



## 6. Install the Middle Panel (#5). (fig F)

Connect the Middle Panel (#5) into the cabinets as shown in the diagram. Make sure the “Top” of the Middle Panel (#5) is to the Solid Hardwood Top (#10) as the sticker indicates. Use Screw A (#20) to secure the Middle Panel (#5) to the Bottom Back Panel (#6), Upper Back Panel (#7) and Front Frame (#2).

fig F

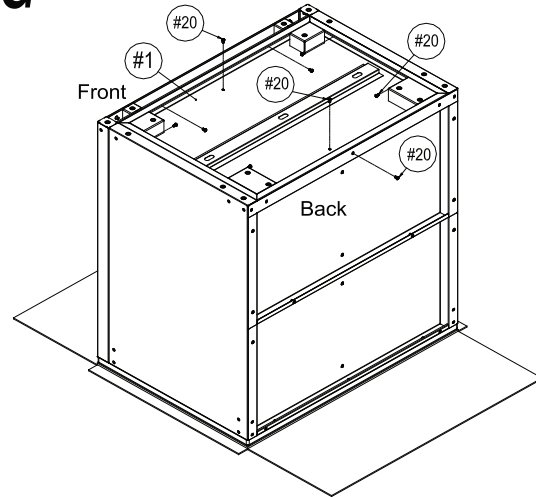


# 15 ASSEMBLY INSTRUCTIONS

## 7. Install the Bottom Panel (#1). (fig G)

Connect the Bottom Panel (#1) to the Left Panel (#4), Right Panel (#3), Front Frame (#2) and Bottom Back Panel (#6). Align the screw holes and use Screw A (#20) to secure them.

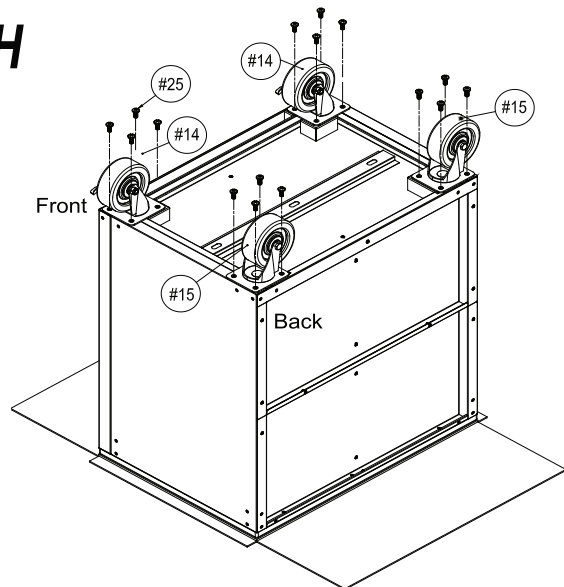
**fig G**



## 8. Install Wheels (#14 and #15). (fig H)

Connect Wheels (#14 and #15) to the Bottom Panel (#1) and surrounding frame. Make sure the Swivel Wheels with Brake are installed at the front side. Use Screw D (#25) to secure them.

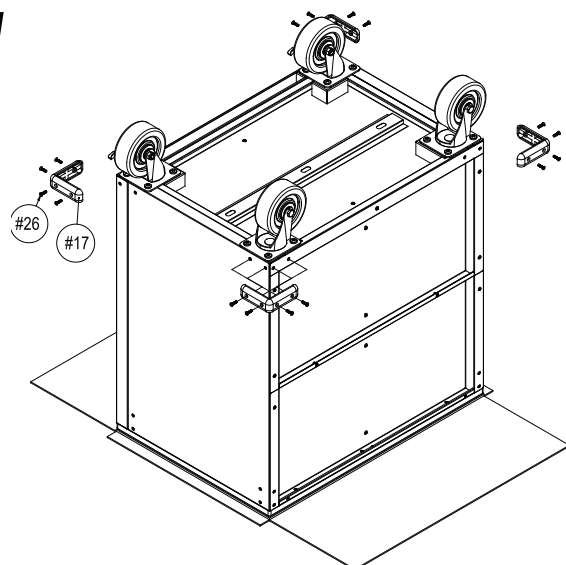
**fig H**



## 9. Install Bumpers (#17). (fig I)

Connect Bumpers (#17) to the bottom four corners of the cabinet. Use Screw C (#26) to secure them.

**fig I**

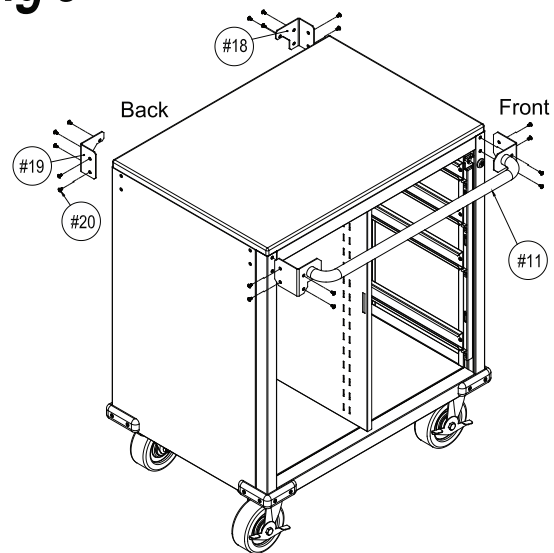


# ASSEMBLY INSTRUCTIONS 16

## 10. Install Corner Protectors (#18 and #19) and Push Bar (#11). (fig J)

Connect the Right Back Corner Protector (#18) and Left Back Corner Protector (#19) to the back side of the cabinet. Use Screw A (#20) to secure them. Then attach the Push Bar (#11) to the front side of the cabinet. Use Screw A (#20) to secure it.

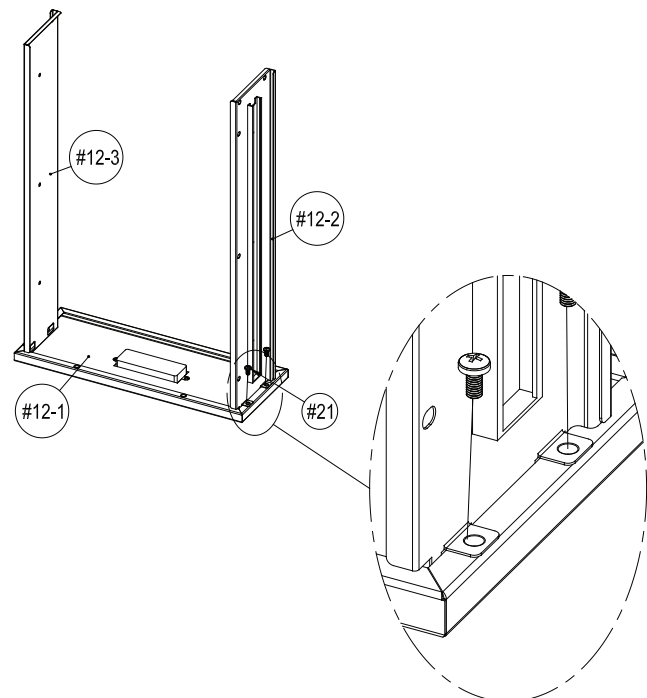
fig J



## 11. Install Small Drawer Side Panels (#12-2 and #12-3). (fig K)

Fit and attach Small Drawer Side Panels (#12-2 and #12-3) one at a time into the back of the Small Drawer Front Panel (#12-1). Have the Drawer Side Panels be placed all the way in, making contact with the rear of the Small Drawer Front Panel (#12-1). Align the screw holes and use Screw B (#21) to secure them.

fig K



# 17 ASSEMBLY INSTRUCTIONS

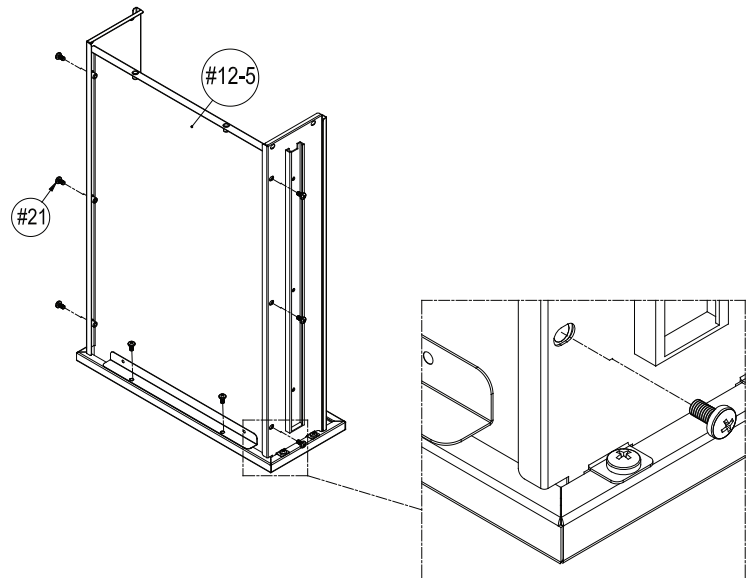
## 12. Install Small Drawer Base Panel

(#12-5). ( *fig L* )

From the top, fit and connect the Small Drawer Base Panel (#12-5) between the two sides and into the back of the Small Drawer Front Panel (#12-1). Use Screw B (#21) to secure.

**Note:** Make sure all screws are partially s  
crewed in before tightening them.

*fig L*

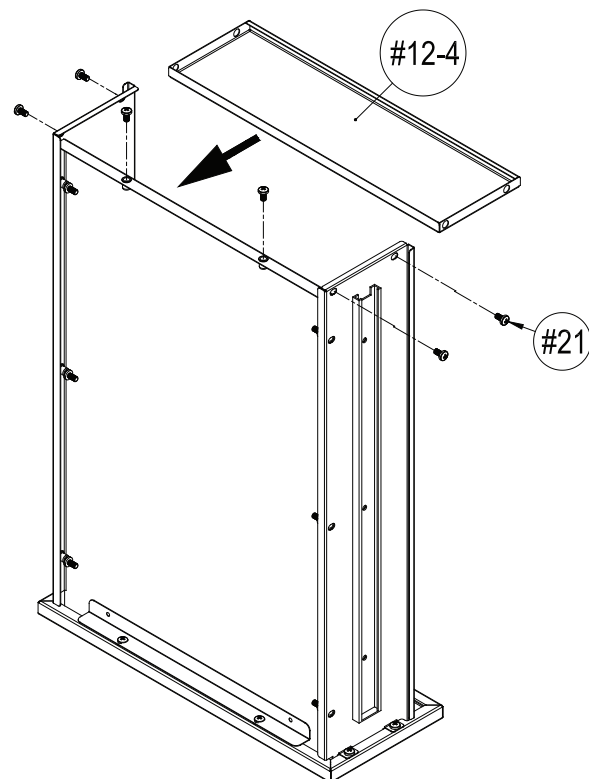


## 13. Install Small Drawer Back Panel

(#12-4). ( *fig M* )

Connect the Small Drawer Back Panel (#12-4) to the rest of the assembled drawer. Use Screw B (#21) to secure it. Once you have the first Small Drawer assembled, repeat Steps 11-13 to assemble the other two Small Drawers. You should have three Small Drawers once completed.

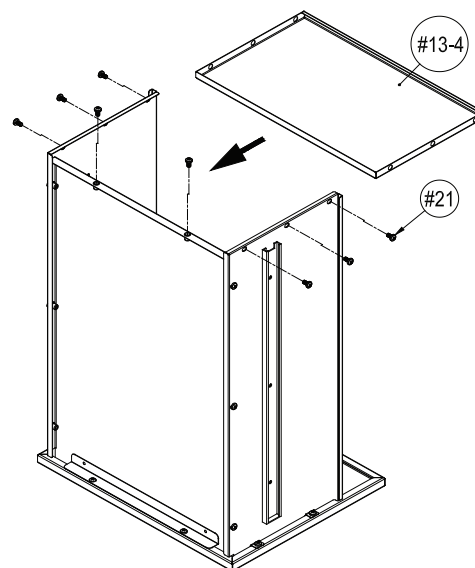
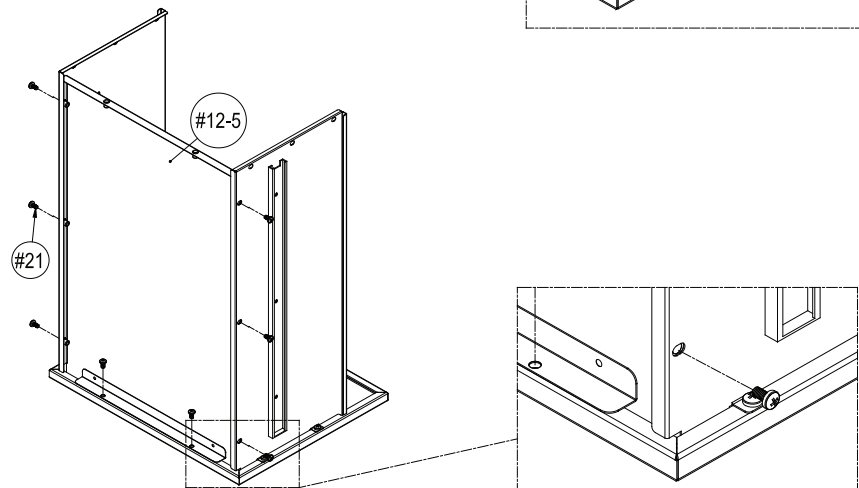
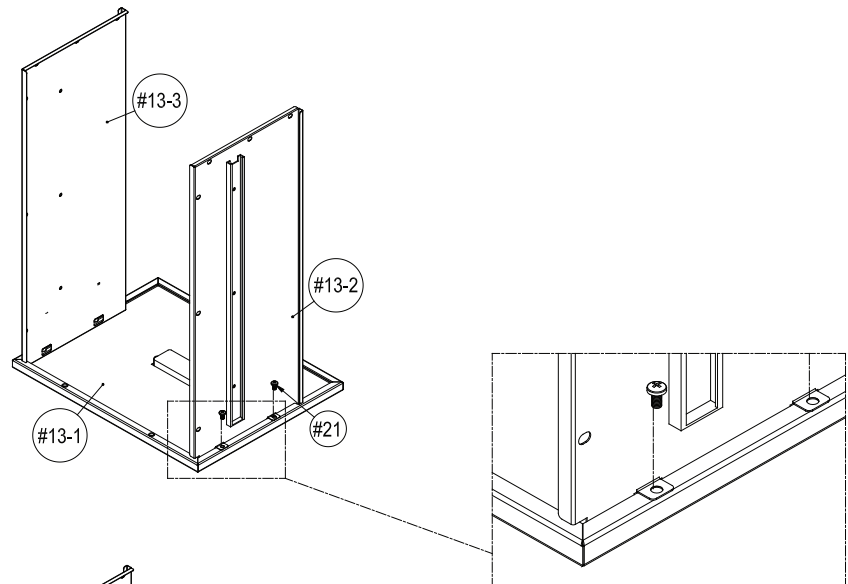
*fig M*



# ASSEMBLY INSTRUCTIONS 18

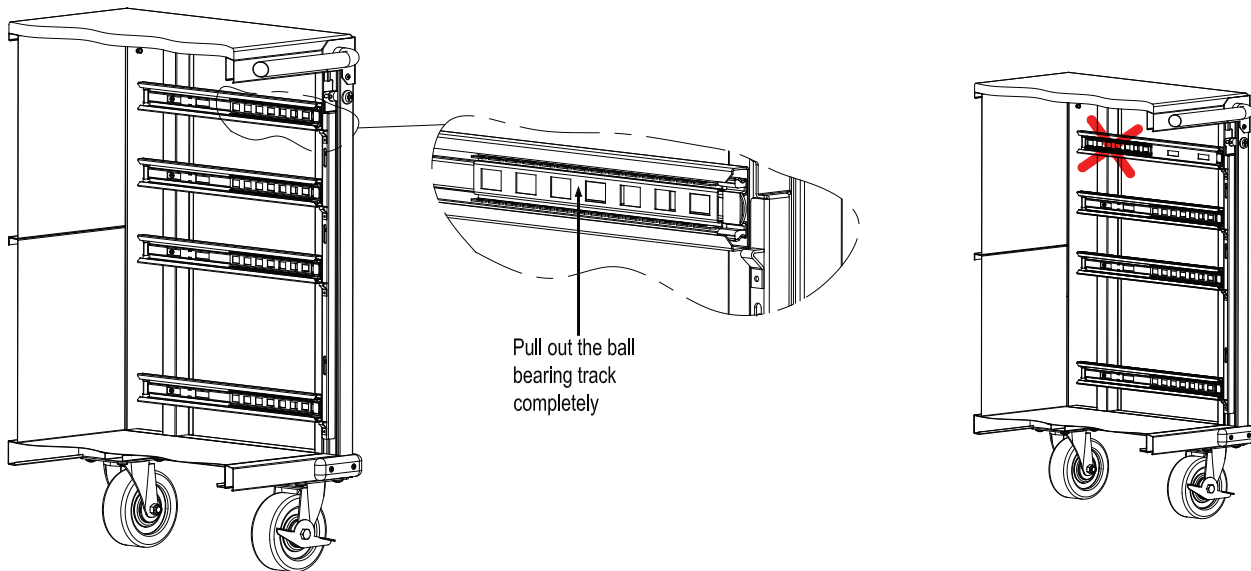
## Assemble and Install Large Drawer the same way.

Repeat the Steps 11-13 using Large Drawer Left Panel (#13-2), Large Drawer Right Panel (#13-3), Large Drawer Front Panel (#13-1), Large Drawer Back Panel (#13-4) and Drawer Base Panel (#12-5) to assemble the Large Drawer. Once assembled, you should have one Large Drawer.



# 19 ASSEMBLY INSTRUCTIONS

**WARNING:** To stay in the front of slider, the ball bearing track must be pulled out all the way.

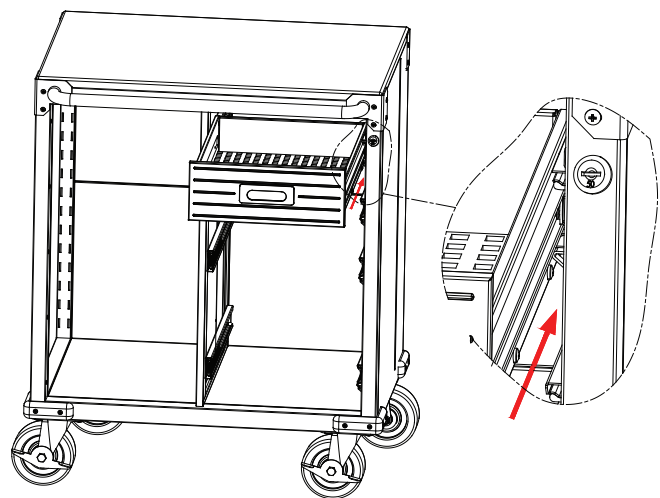


## 14. Install four Drawers into cabinet. (fig N)

*fig N*

To place in Drawers, pull out the drawer tracks and inner ball bearing tracks all the way out. Then join the tracks attached to the Drawer to the inside of the track attached to the Right Panel (#3) and Middle Panel (#5). Repeat these steps to install all four Drawers. Slide the four Drawers (three small and one large) one at a time into the unit.

Once finished, place the Drawer Mats (#16) inside the Drawers.



Rolling Workbench Cabinet 20205 Series

# ASSEMBLY INSTRUCTIONS 20

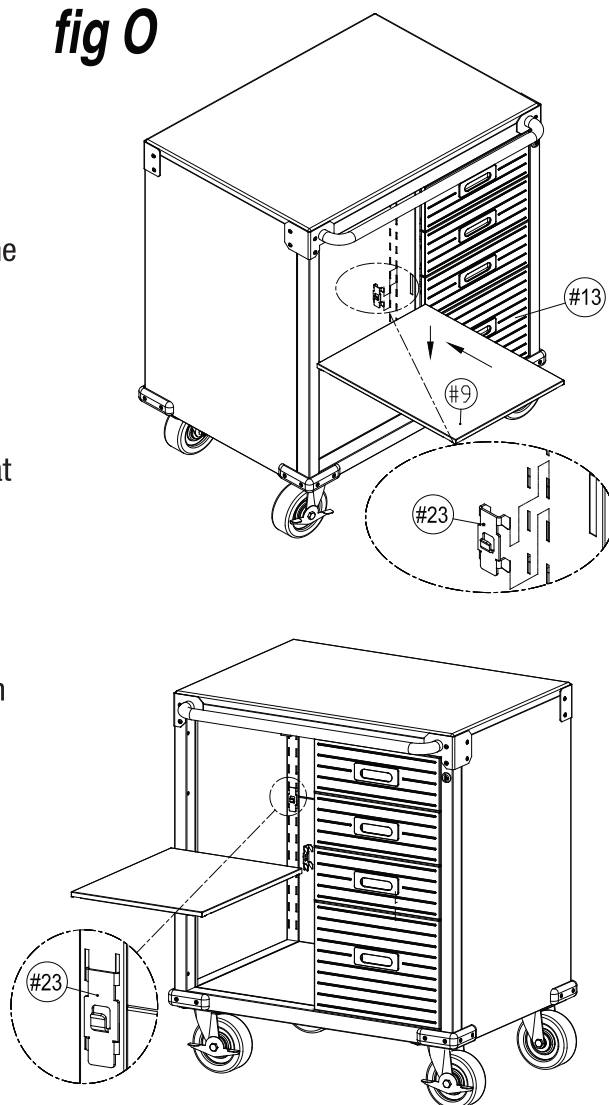
## 15. Install the Middle Shelf (#9). ( fig O )

a). Decide the height position for each of the Middle Shelves (#9), place the Hooks (#23) into the hook slot and lock them down.

**Note:** The Middle Shelves have 4 Hooks at four corners for support. Make sure the hooks are positioned at same height.

b). Place the Middle Shelves (#9) into the cabinet and push down onto the Hooks (#23) to lock them in place.

*fig O*

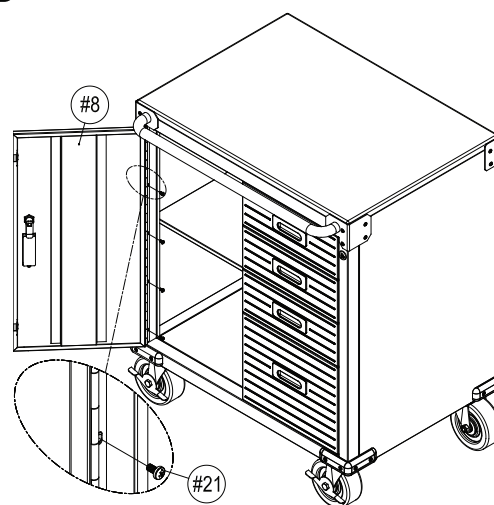


## 16. Install the Door (#8) ( fig P ).

Attach the Door (#8) to the unit using Screw B (#21) to tighten.

**Note:** The screw holes on the door hinge have tolerance, enabling the door to be adjusted and centered in the door frame.

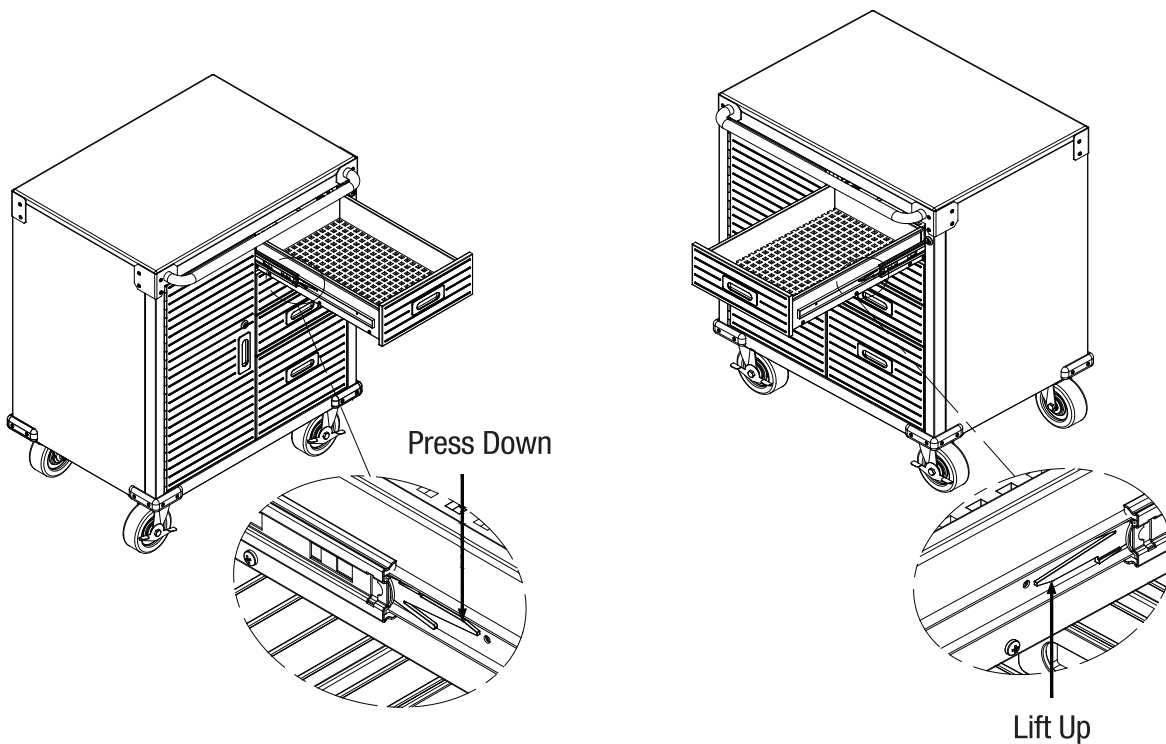
*fig P*



# 21 ASSEMBLY INSTRUCTIONS

## How to pull the drawer out of the unit

To pull the drawers out of the unit, pull the black plastic clip on the right side of the drawer up, then push on the black plastic clip on the left side of the drawer down. Now you can pull the drawer out.



## CAUTION



Only open one drawer  
at a time to avoid tipping.  
40 lbs. maximum loading for  
each drawer.

# WARRANTY 22



This BLACKCOMB® product carries a one-year limited warranty against defects in materials and workmanship. Subject to conditions and limitations described below, this product, if returned to us with proof of purchase within the stated warranty period and if covered under this warranty, will be repaired or replaced (with the same model, or one of equal value or specification), at our option. We will bear the cost of any repair or replacement of the product and any costs of labour relating thereto.

## **This warranty is subject to the following conditions and limitations :**

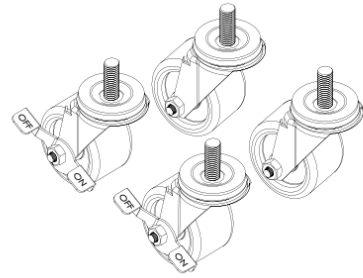
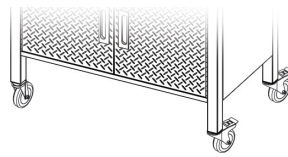
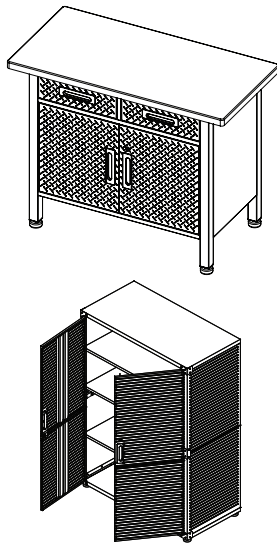
- a. A bill of sale to verify the purchase and purchase date must be provided.
- b. This warranty will not apply to any product or part thereof that is worn or damaged or that has become inoperative due to abuse, misuse, accidental damage, neglect, or lack of proper installation, operation, or maintenance (as outlined in the applicable instruction manual or operating instructions), or that is being used for industrial, professional, commercial or rental purposes.
- c. This warranty will not apply to normal wear and tear or to expendable parts or accessories that may be supplied with the product that are expected to become inoperative or unusable after a reasonable period of use.
- d. This warranty will not apply where damage is caused by repairs made or attempted by others (i.e., persons not authorized by the manufacturer).
- e. This warranty will not apply to any product that was sold to the original purchaser as a reconditioned or refurbished product (unless otherwise specified in writing).
- f. This warranty will not apply to any product or part thereof if any part from another manufacturer is installed therein or any repairs or changes have been made or attempted by unauthorized persons.
- g. This warranty will not apply to normal deterioration of the exterior finish, such as, but not limited to, scratches, dents, paint chips, or to any corrosion or discolouring by heat, or abrasive and chemical cleaners.
- h. This warranty applies only to the original purchaser and may not be transferred. Neither the retailer nor the manufacturer shall be liable for any other expense, loss, or damage, including, without limitation, any indirect, incidental, consequential, or exemplary damages arising in connection with the sale, use or inability to use this product.



Rolling Workbench Cabinet 20205 Series

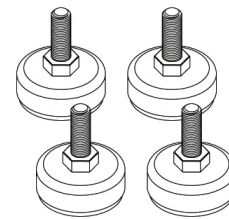
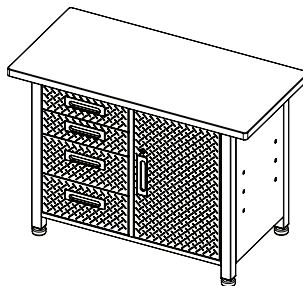
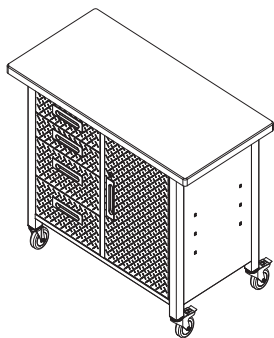
# 23 ADDITIONAL & SPARE PARTS

Salmon Boy Ltd. proudly provides additional and spare parts for your BLACKCOMB cabinets and workbenches. Feel free to contact us if you have any questions or need any additional, spare parts, please email or call us: **Service@SalmonBoy.ca, 1-866-221-8146.**



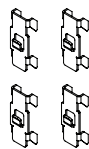
## M14 wheel module

a set of 4 rolling casters (2 with breaks)  
for 20248J, 16241J, 68-6364, 68-6365, 68-1221,  
68-0667 cabinets/ workbenches



## M12 Leveling feet

a set of 4 leveling feet for 68-1224 workbench



## Extra shelf

a shelf with 4 hooks (if the shelf needs hooks)  
for 20248J, 20209J, 16236J, 16241J, 20205J, 68-0558,  
68-1224, 68-1226, 68-6364, 68-6365, 68-6366, 68-1221  
or 68-0667 cabinets/ workbenches



## Lock set

a new lock with 2 keys

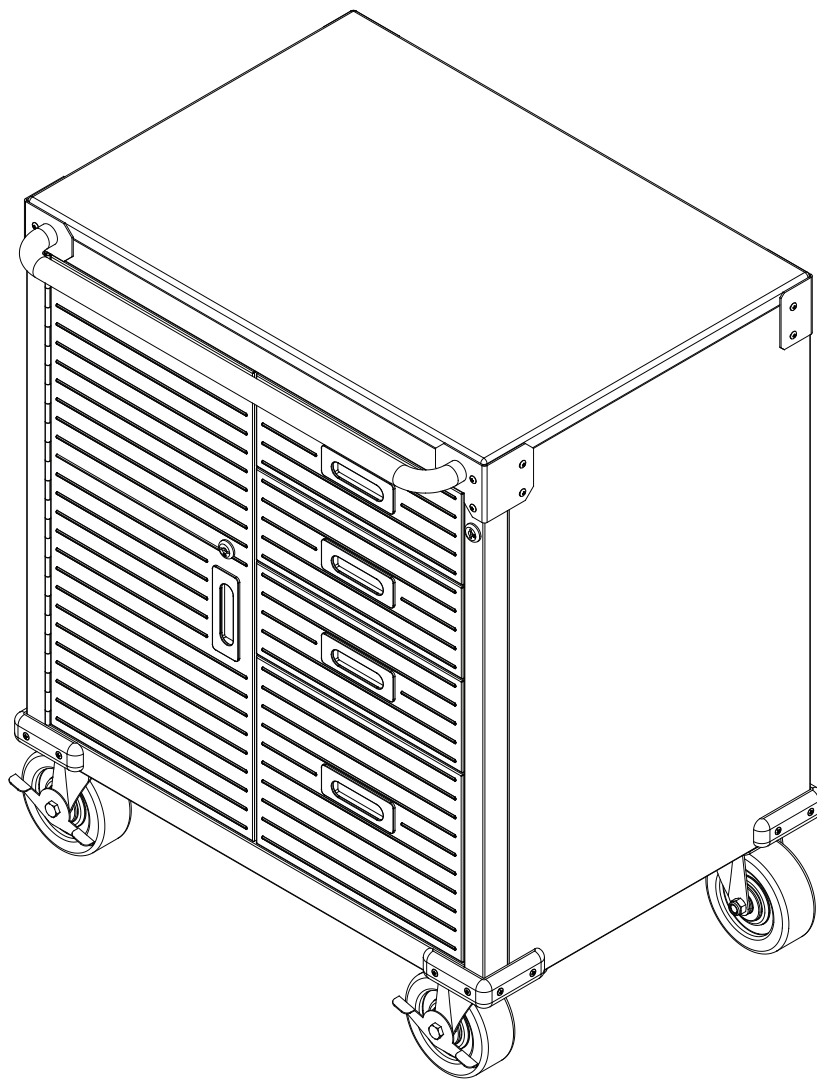


Rolling Workbench Cabinet 20205 Series

**20205 SÉRIE** 28 po. L x 34.5 po. H x 20 po. P

**ARMOIRE D'ENTREPOSAGE SUR ROULETTES**

Guide d'utilisation



**SI DES PIÈCES SONT MANQUANTES OU  
ENDOMMAGÉES, OU POUR TOUTES  
QUESTIONS, VEUILLEZ COMPOSER LE  
1-866-221-8146.**

**service@SalmonBoy.ca**



Veillez lire attentivement ce guide d'utilisation avant d'utiliser ce produit. Il contient des consignes importantes relatives à votre sécurité ainsi que des conseils d'utilisation et d'entretien.

Conservez ce guide d'utilisation pour consultation ultérieure. Dans l'éventualité où ce produit est cédé à un tiers, veuillez également leur remettre ce guide.

# TABLE DES MATIÈRES 2



SPÉCIFICATIONS TECHNIQUES	3
CONSIGNES DE SÉCURITÉ	4
VUE D'ENSEMBLE	5-6
LISTE DES PIÈCES	7-11
INSTRUCTIONS D'INSTALLATION	12-21
GARANTIE	22
PIÈCES DE RECHANGE ET SUPPLÉMENTAIRES	23



# 3 SPÉCIFICATIONS TECHNIQUES

<b>Pièce</b>	<b>Charge maximale</b>
Panneau en bois massif	220 lb (100 kg)
Tiroirs	40 lb (18 kg) chacun
Étagère du milieu	50 lb (22 kg)

**Important:** La charge maximale de l'armoire est de 350 lb  
(158.7 kg)

# CONSIGNES DE SÉCURITÉ 4



## Directives de sécurité

Ce guide contient des renseignements importants relatifs à la protection de la sécurité personnelle et la prévention des problèmes d'équipement. Il est très important de lire ce guide attentivement et de bien assimiler les directives avant d'assembler et d'utiliser ce produit. Veuillez notamment porter attention aux symboles et renseignements suivants.



### Attention!

**Danger potentiel pouvant entraîner des blessures modérées ou endommager le produit.**

**Important - Le mot « important » est utilisé dans le texte pour informer le lecteur de ce que l'utilisateur doit savoir à propos de cet outil.**

## RECOMMANDATIONS RELATIVES À LA SÉCURITÉ

Ces mesures de sécurité visent la sécurité personnelle de l'utilisateur et de toute autre personne utilisant ce produit. Le non-respect de ces instructions peut entraîner des blessures graves, voire fatales, des dommages à la propriété et/ou des dommages à l'équipement. Veuillez prendre le temps de lire et de bien comprendre ces instructions.

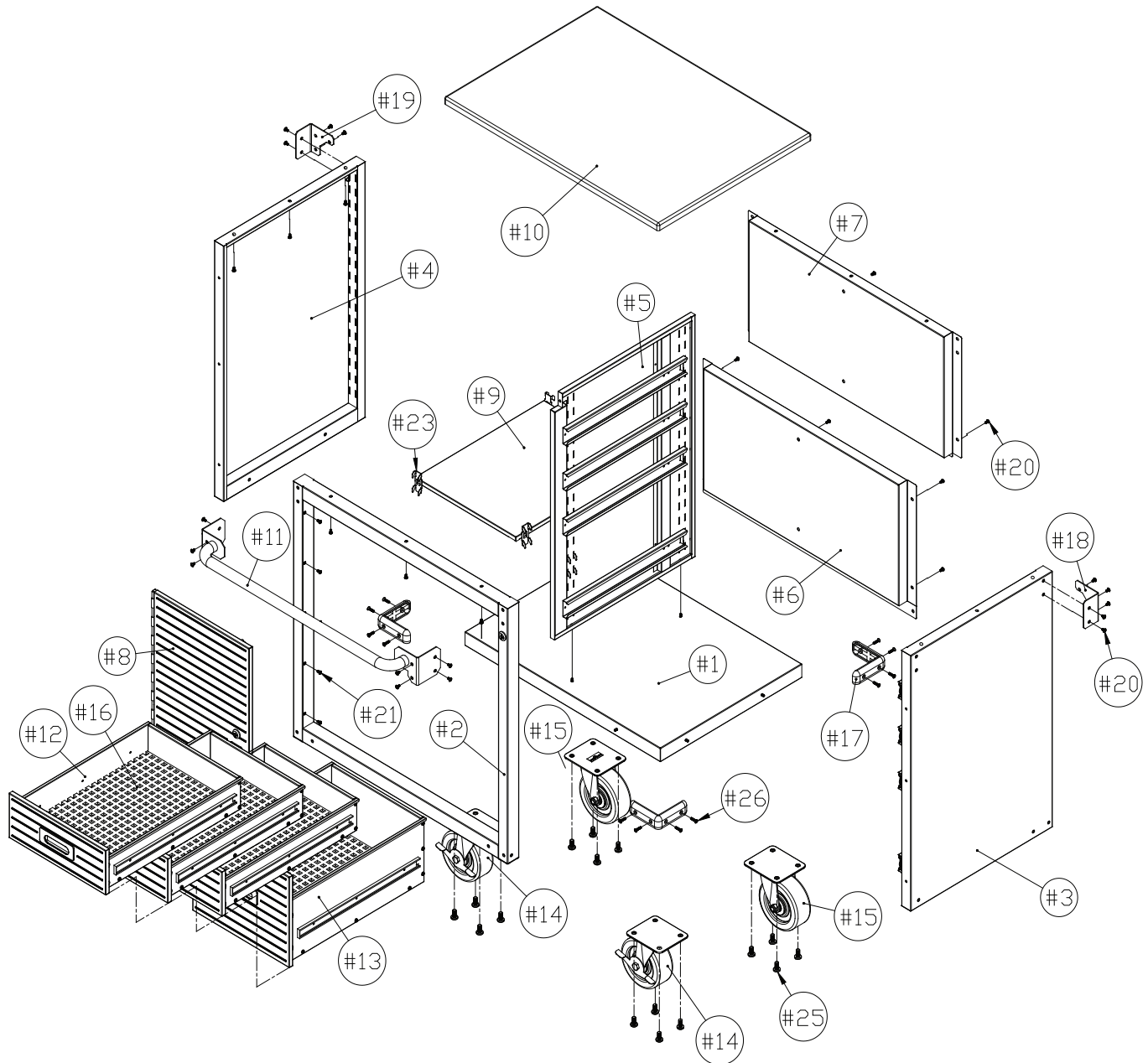


### Attention!

**Danger potentiel pouvant entraîner des blessures modérées ou endommager le produit.**

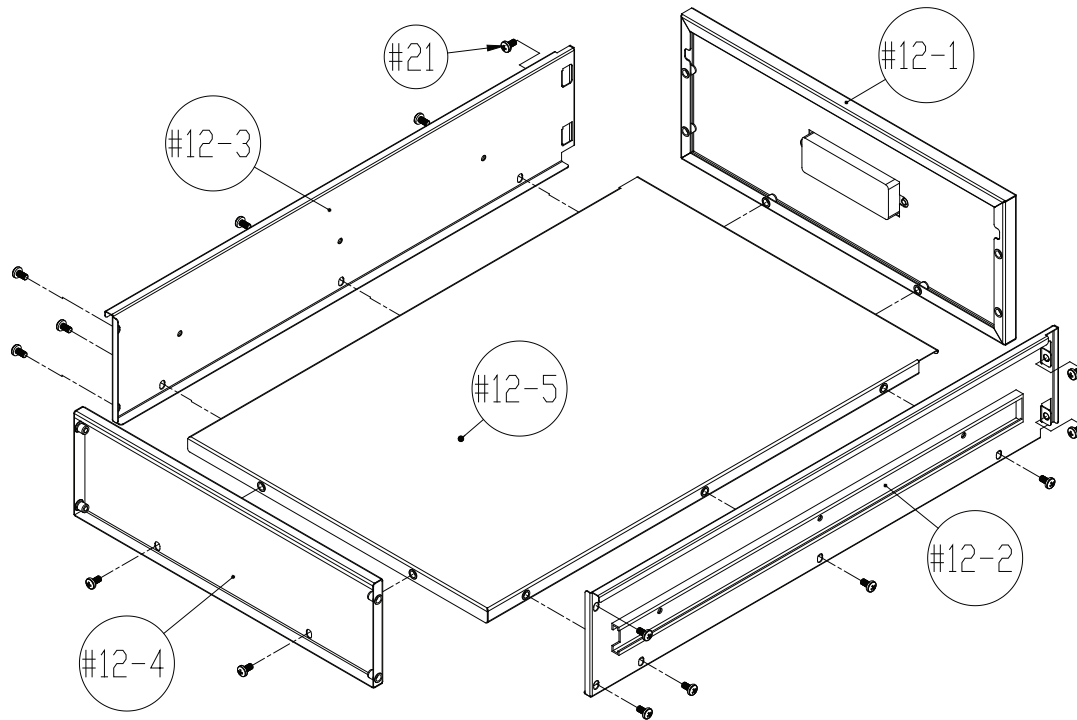
- Installez ce cabinet sur une surface plane.
- Ce produit est prévu uniquement pour un usage à l'intérieur.
- Utilisez un linge doux humide pour nettoyer ce cabinet.
- Veuillez ne pas grimper sur ce cabinet, ni l'utiliser comme échafaudage.
- Veuillez ne pas excéder la charge maximale prévue pour ce produit.
- L'assemblage et l'entretien de ce produit doivent être effectués par un adulte.
- Assurez-vous d'avoir suffisamment de main-d'œuvre lors de l'assemblage et du déplacement de ce cabinet.
- Vérifiez régulièrement l'état des vis de ce produit et resserrez-les au besoin.

# 5 VUE D'ENSEMBLE

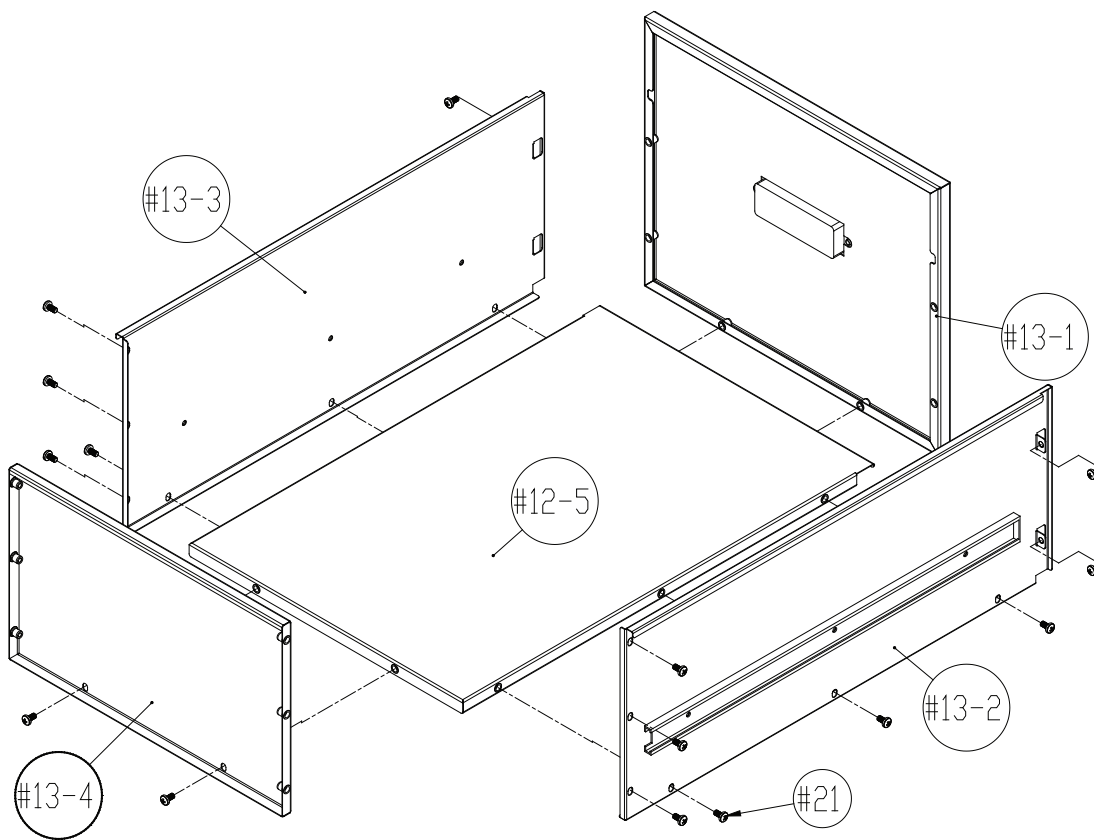


# VUE D'ENSEMBLE 6

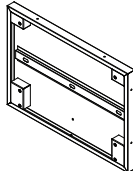
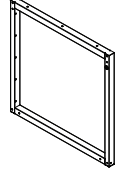
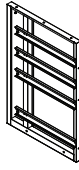
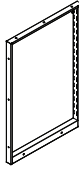
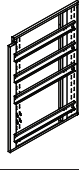
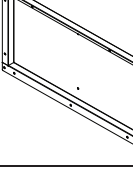
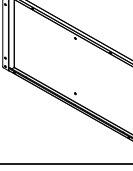

## Installation - Petit tiroir



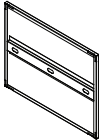
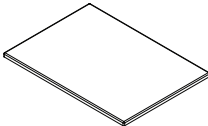
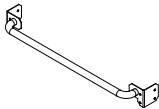
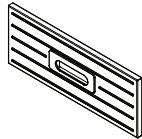
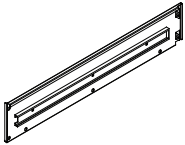
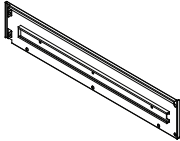
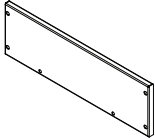
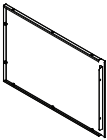
## Installation - Grand tiroir



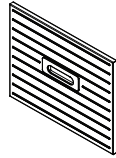
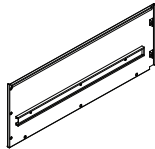
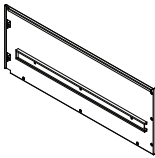
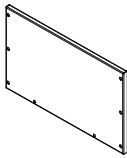


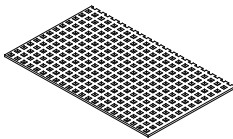
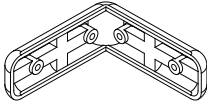
# 7 LISTE DES PIÈCES

Description	N° de pièce	Quantité	Schéma
Panneau inférieur	# 1	1	
Cadre avant	# 2	1	
Panneau droit	# 3	1	
Panneau gauche	# 4	1	
Panneau du milieu	# 5	1	
Panneau arrière inférieur	# 6	1	
Panneau arrière supérieur	# 7	1	
Porte	# 8	1	

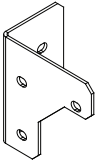
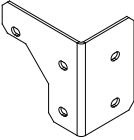
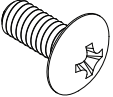
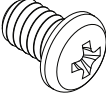
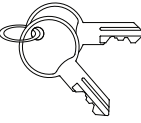
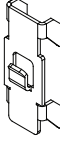
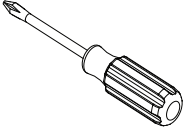
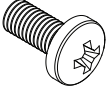
# LISTE DES PIÈCES 8

Description	N° de pièce	Quantité	Schéma
Étagère du milieu	# 9	1	
Dessus en bois franc massif	# 10	1	
Barre de poussée	# 11	1	
Panneau avant - Petit tiroir	# 12-1	3	
Panneau gauche - Petit tiroir	# 12-2	3	
Panneau droit - Petit tiroir	# 12-3	3	
Panneau arrière - Petit tiroir	# 12-4	3	
Panneau inférieur - Tiroir	# 12-5	4	

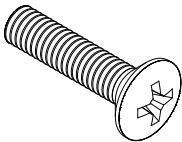
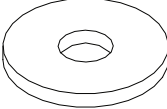
# 9 LISTE DES PIÈCES

Description	N° de pièce	Quantité	Schéma
Panneau avant - Grand tiroir	# 13-1	1	
Panneau gauche - Grand tiroir	# 13-2	1	
Panneau droit - Grand tiroir	# 13-3	1	
Panneau arrière - Grand tiroir	# 13-4	1	
Roulette pivotante avec frein	# 14	2	
Roulette pivotante sans frein	# 15	2	
Tapis de tiroir	# 16	4	
Amortisseur	# 17	4	

# LISTE DES PIÈCES 10

Description	N° de pièce	Quantité	Schéma
Protecteur de coin arrière droit	# 18	1	
Protecteur de coin arrière gauche	# 19	1	
Vis A (M4 x 10)	# 20	58	
Vis B (M4 x 8L)	# 21	79	
Clé porte/tiroir	# 22	2	
Crochet	# 23	4	
Tournevis cruciforme (Phillips)	# 24	1	
Vis D (M8 x 18)	# 25	16	

# 11 LISTE DES PIÈCES

Description	N° de pièce	Quantité	Schéma
Vis C (M4 x 18)	# 26	16	
Rondelle (M4)	# 27	4	

# INSTRUCTIONS D'INSTALLATION 12

## Avant de commencer

- Assemblez ce meuble sur une surface propre et plane.
- Enlevez tous les articles de la boîte et assurez-vous que toutes les pièces énumérées aux pages 7-11 sont présentes.
- Lors de l'installation de pièces qui contiennent plus d'une vis, veuillez serrer toutes les vis à la main avant de les resserrer à l'aide du tournevis fourni.

**Conseil:** Un tournevis magnétique est inclus. Si vous utilisez un tournevis électrique, veuillez utiliser un faible couple de rotation.

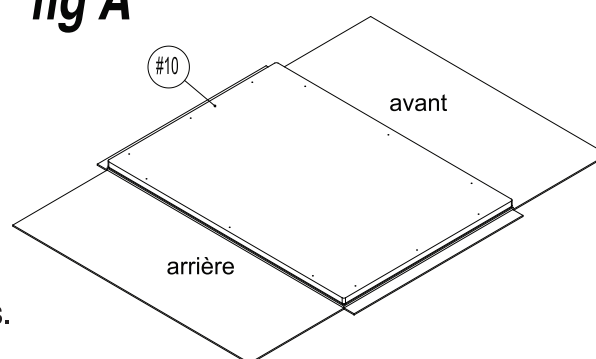
**Avertissement:** Il est préférable de porter des gants lors de l'assemblage de ce meuble étant donné que les bords de certaines pièces peuvent être coupants.

## Instructions d'installation

- 1.** Ouvrez la boîte, retirez toutes les pièces et mettez-les de côté. Ouvrez ensuite le paquet contenant le Dessus en bois franc massif (#10).  
( *fig A* )

**Important:** Le cadre de l'armoire est d'abord assemblé à l'envers.

**fig A**

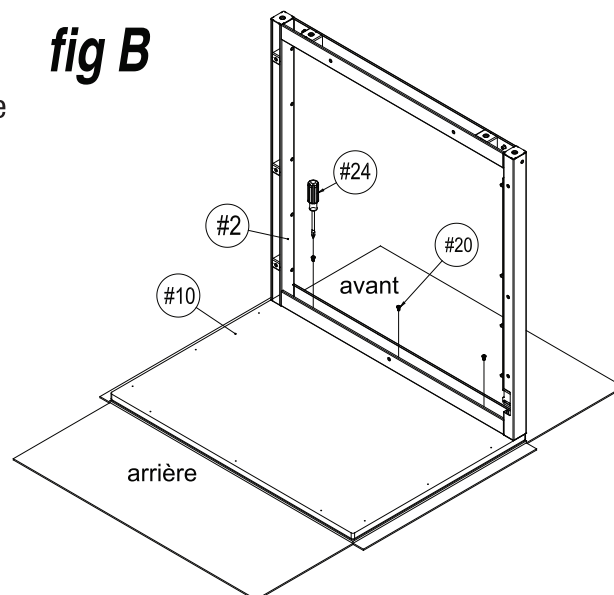


- 2.** Installation du Cadre avant (#2). ( *fig B* )

Prenez le Cadre avant (#2) et attachez-le «devant» le Dessus en bois franc massif (#10) à l'aide du tournevis (#24) fourni et des Vis A (#20).

**Important:** Le diamètre des orifices des vis est légèrement plus grand que requis alors assurez-vous de bien aligner le dessus et les côtés du Cadre avant sur le Dessus en bois franc massif pour éviter d'avoir à faire des ajustements ultérieurement.

**fig B**



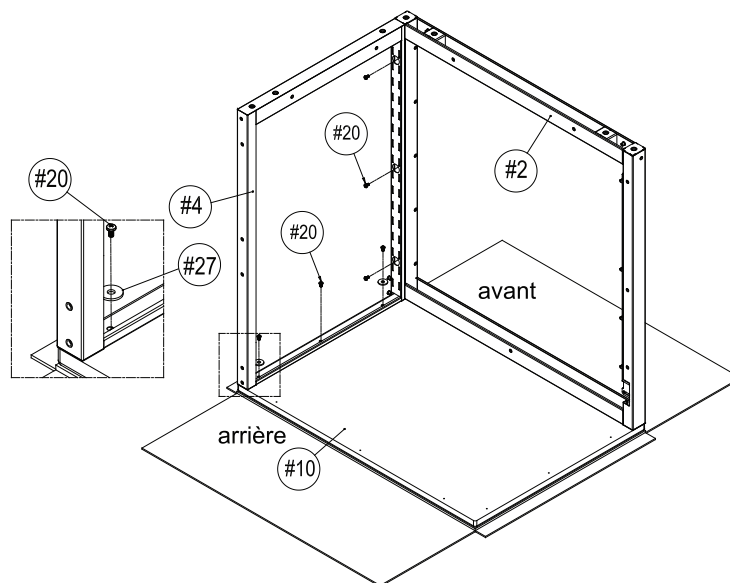
# 13 INSTRUCTIONS D'INSTALLATION

## 3. Installation du Panneau gauche (#4).

( fig C )

Attachez le Panneau gauche (#4) au Cadre avant (#2) et au Dessus en bois franc massif (#10). Assurez-vous que le «dessus» du Panneau gauche (#4) est en contact avec le Dessus en bois franc massif (#10) et que les orifices des vis sont alignés sur le Cadre avant (#2). Utilisez le tournevis (#24) ainsi que les Vis A (#20) et les Rondelles (#27) pour attacher le Panneau gauche (#4) au Cadre avant (#2) et ensuite au Dessus en bois franc massif (#10).

fig C

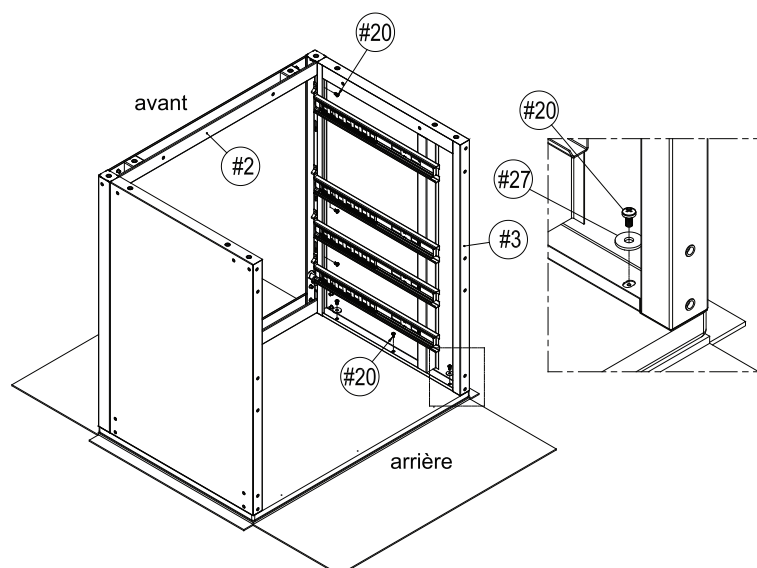


## 4. Installation du Panneau droit (#3).

( fig D )

Attachez le Panneau droit (#3) au Cadre avant (#2). Assurez-vous que le «dessus» du Panneau droit (#3) est en contact avec le Dessus en bois franc massif (#10). Utilisez le tournevis (#24) ainsi que les Vis A (#20) et les Rondelles (#27) pour attacher le Panneau droit (#3) au Cadre avant (#2) et ensuite au Dessus en bois franc massif (#10).

fig D



# INSTRUCTIONS D'INSTALLATION 14

## 5. Installation du Panneau arrière supérieur (#7) et du Panneau arrière inférieur (#6). (fig E)

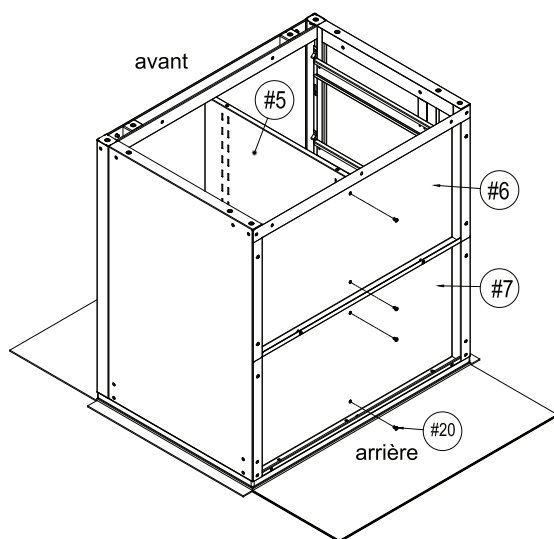
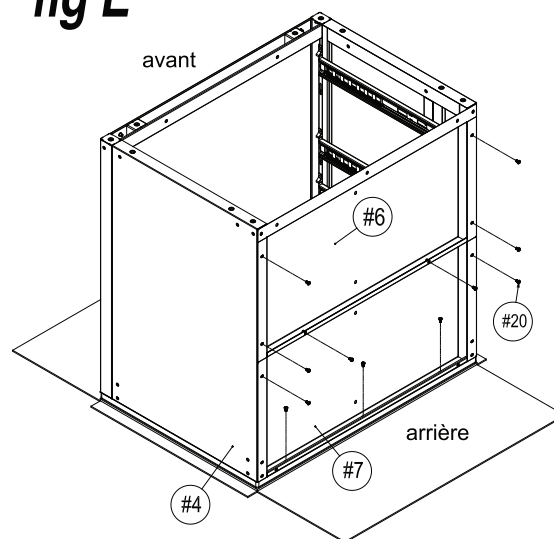
a) Installez le Panneau arrière supérieur (#7) entre le Panneau gauche (#4) et le Panneau droit (#3).

Assurez-vous que le «dessus» du Panneau arrière supérieur (#7) est en contact avec le Dessus en bois franc massif (#10), tel qu'indiqué par l'autocollant. Alignez les orifices des vis et utilisez les Vis A (#20) pour attacher le Panneau arrière supérieur (#7) au Dessus en bois franc massif (#10), au Panneau gauche (#4) et au Panneau droit (#3).

b) Installez le Panneau arrière inférieur (#6) entre le Panneau gauche (#4) et le Panneau droit (#3).

Assurez-vous que le «dessus» du Panneau arrière inférieur (#6) est en contact avec le Panneau arrière supérieur (#7), tel qu'indiqué par l'autocollant. Alignez les orifices des vis et utilisez les Vis A (#20) pour attacher le Panneau arrière inférieur (#6) au Panneau arrière supérieur (#7), au Panneau gauche (#4) et au Panneau droit (#3).

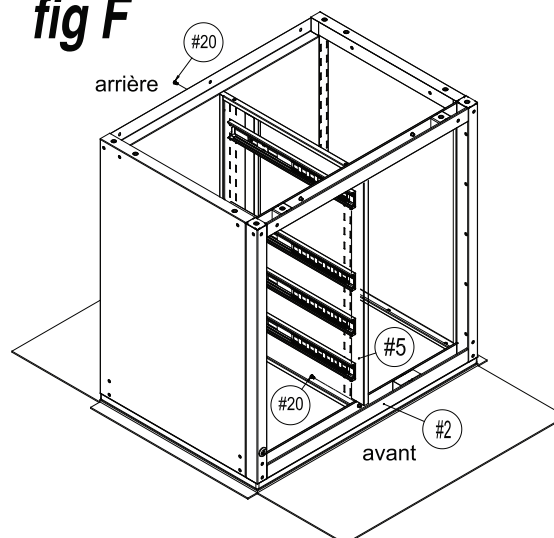
fig E



## 6. Installation du Panneau du milieu (#5). (fig F)

Attachez le Panneau du milieu (#5) au meuble tel qu'indiqué sur le schéma. Assurez-vous que le «dessus» du Panneau du milieu (#5) est en contact avec le Dessus en bois franc massif (#10), tel que l'indique l'autocollant. Utilisez les Vis A (#20) pour attacher le Panneau du milieu (#5) au Panneau arrière inférieur (#6), au Panneau arrière supérieur (#7) et au Cadre avant (#2).

fig F



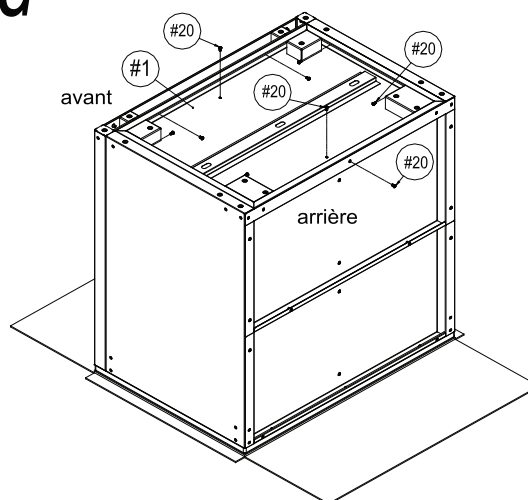
# 15 INSTRUCTIONS D'INSTALLATION

## 7. Installation du Panneau inférieur (#1).

(fig G)

Attachez le Panneau inférieur (#1) au Panneau gauche (#4), au Panneau droit (#3), au Cadre avant (#2) et au Panneau arrière inférieur (#6). Alignez les orifices des vis et sécurisez le tout à l'aide des Vis A (#20).

fig G

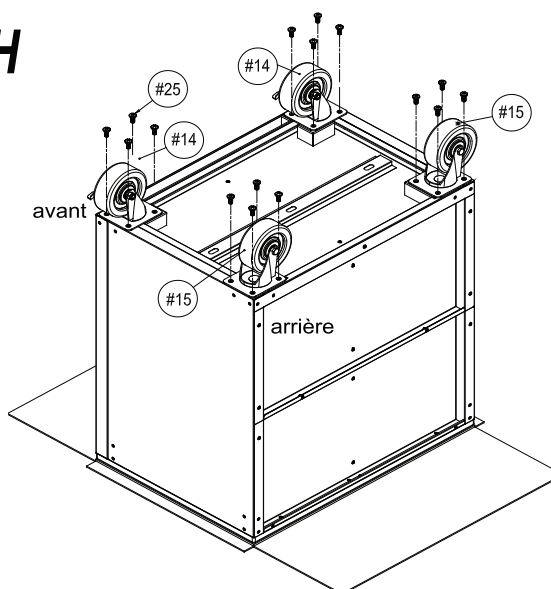


## 8. Installation des Roulettes (#14 et #15).

(fig H)

À l'aide des Vis D (#25), attachez les Roulettes (#14 et #15) au Panneau inférieur (#1) ainsi qu'au cadre adjacent. Assurez-vous que les roulettes pivotantes munies de freins sont installées à l'avant du meuble.

fig H

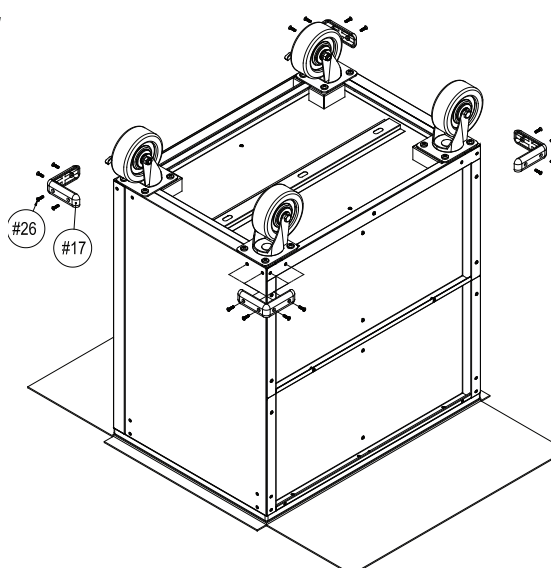


## 9. Installation des Amortisseurs (#17).

(fig I)

À l'aide des Vis C (#26), attachez les Amortisseurs (#17) aux quatre coins inférieurs du meuble.

fig I

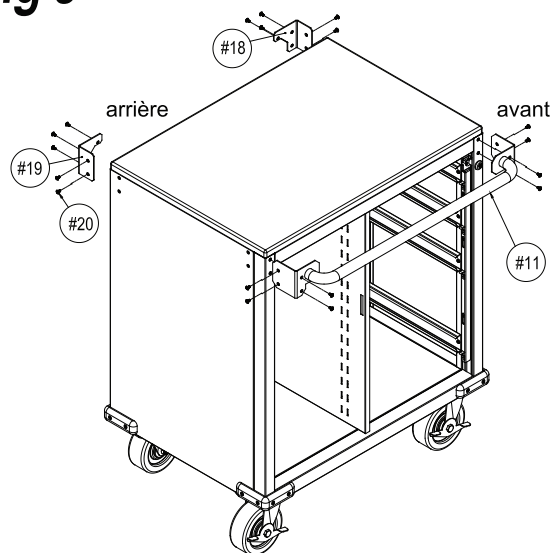


# INSTRUCTIONS D'INSTALLATION 16

## 10. Installation des Protecteurs de coin (#18 et #19) et de la Barre de poussée (#11). (fig J)

Attachez le Protecteur de coin arrière droit (#18) et le Protecteur de coin arrière gauche (#19) à l'arrière du cabinet à l'aide des Vis A (#20). Attachez ensuite la Barre de poussée (#11) à l'avant du meuble à l'aide des Vis A (#20).

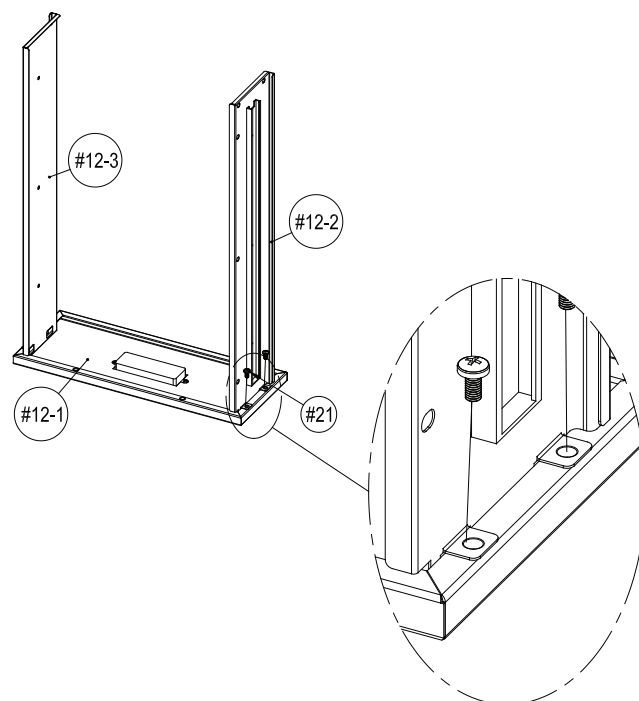
fig J



## 11. Installation des Panneaux latéraux - Petit tiroir (#12-2 et #12-3). (fig K)

Positionnez et attachez les Panneaux latéraux - Petit tiroir (#12-2 et #12-3) un à la fois derrière le Panneau avant - Petit tiroir (#12-1). Assurez-vous que les panneaux latéraux du tiroir sont bien insérés et s'appuient contre l'arrière du Panneau avant - Petit tiroir (#12-1). Alignez les orifices des vis et utilisez les Vis B (#21) pour attacher le tout.

fig K



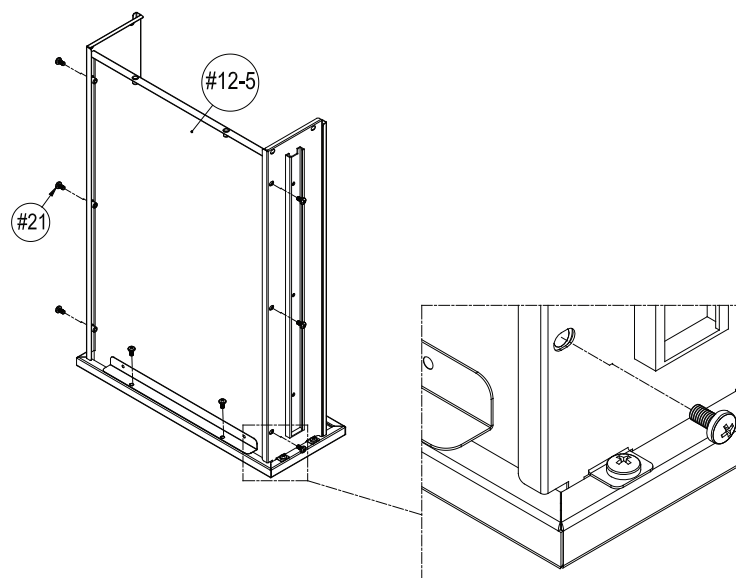
# 17 INSTRUCTIONS D'INSTALLATION

## 12. Installation du Panneau inférieur - Tiroir (#12-5). (fig L)

Insérez le Panneau inférieur - Tiroir (#12-5) entre les deux panneaux latéraux et en poussant celui-ci en direction du Panneau avant - Petit tiroir (#12-1). Sécurisez le tout à l'aide des Vis B (#21).

**Important:** Assurez-vous que toutes les vis sont insérées et partiellement vissées avant de les resserrer.

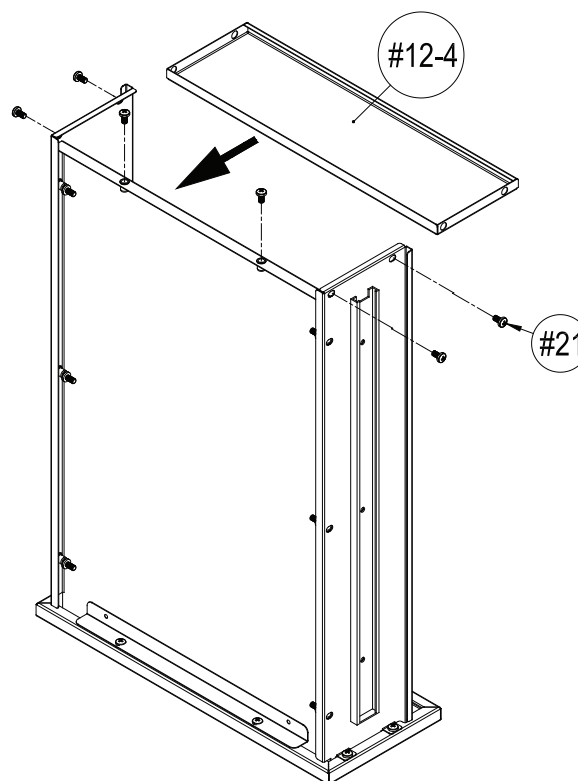
fig L



## 13. Installation du Panneau arrière - Petit tiroir (#12-4). (fig M)

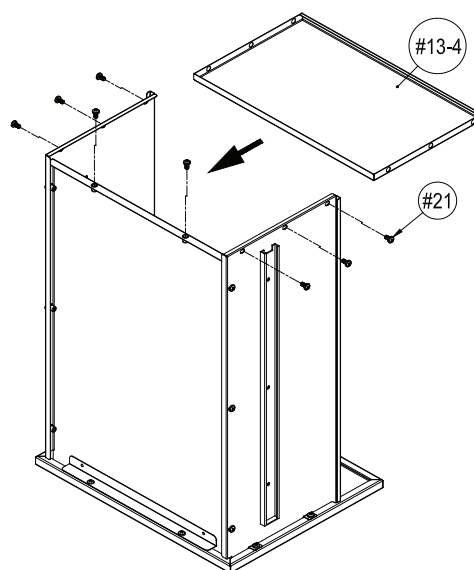
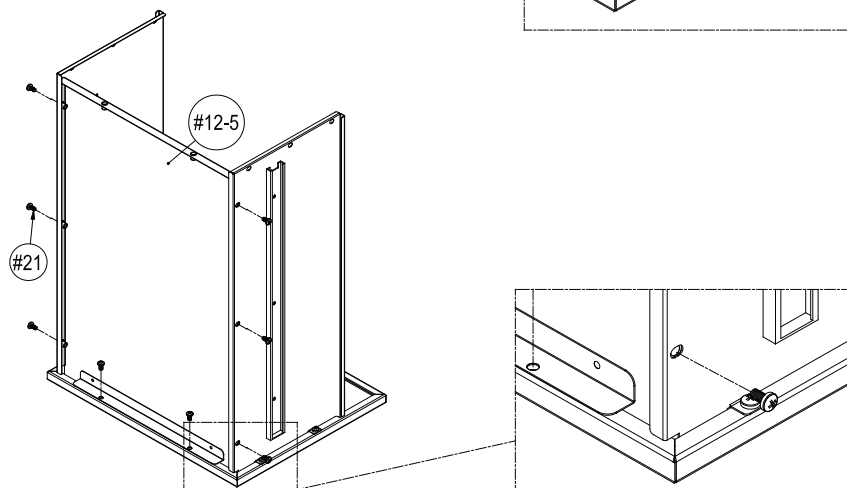
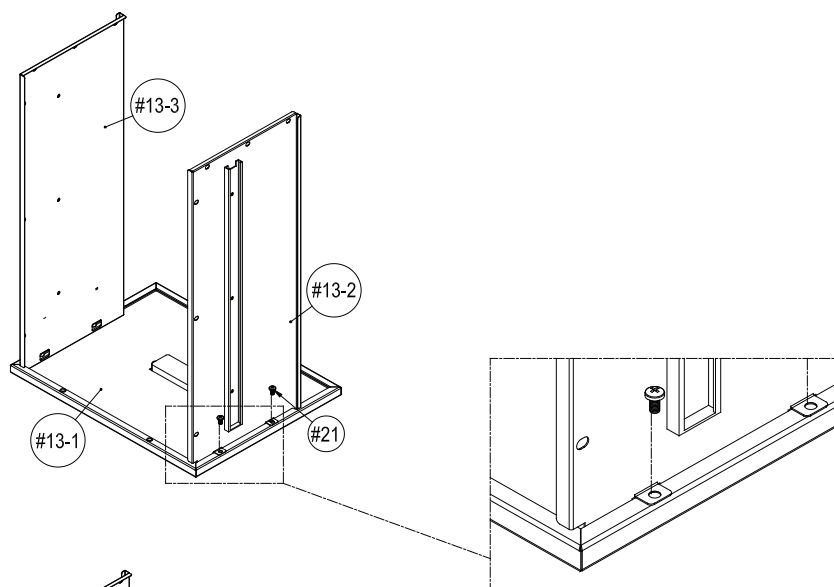
Attachez le Panneau arrière - Petit tiroir (#12-4) au reste du tiroir assemblé à l'aide des Vis B (#21). Répétez les étapes d'assemblage 11-13 pour assembler les deux autres petits tiroirs. Une fois terminé, vous aurez trois (3) petits tiroirs assemblés.

fig M



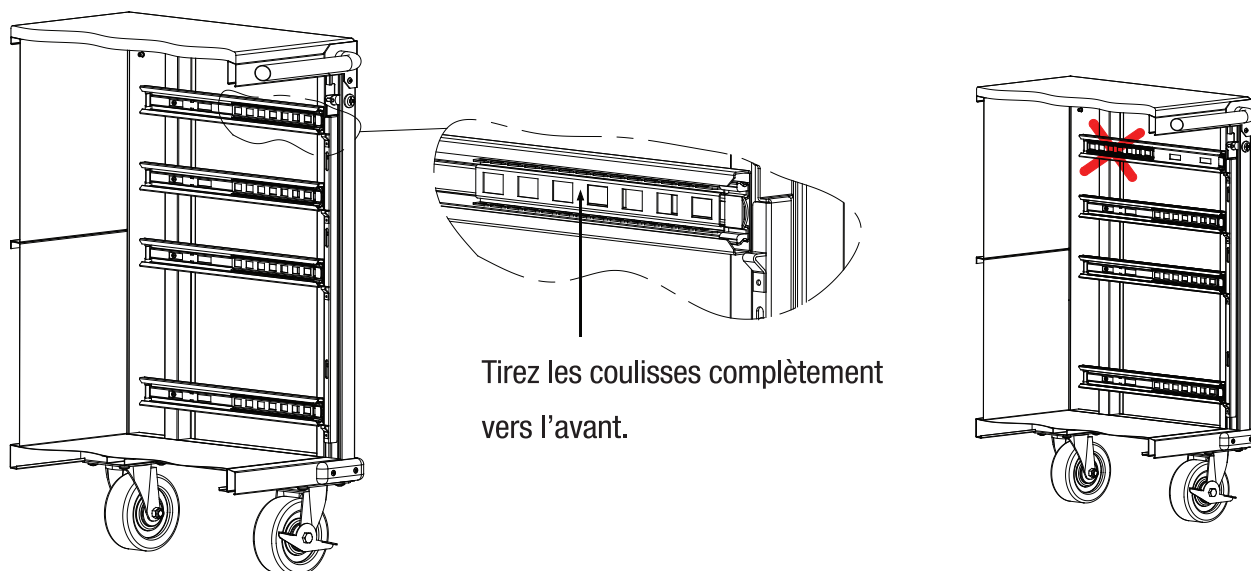
# INSTRUCTIONS D'INSTALLATION 18

L'assemblage et l'installation du Grand tiroir s'effectue en suivant les mêmes étapes. Répétez les étapes d'assemblage 11-13 pour assembler le grand tiroir et utilisez le Panneau gauche - Grand tiroir (#13-2), le Panneau droit - Grand tiroir (#13-3), le Panneau avant - Grand tiroir (#13-1), le Panneau arrière - Grand tiroir (#13-4) et le Panneau inférieur - Tiroir (#12-5). Une fois terminé, vous aurez un (1) grand tiroir assemblé.



# 19 INSTRUCTIONS D'INSTALLATION

**Avertissement:** Afin de demeurer à l'avant de la glissière, la coulisse à roulement à bille doit être tirée complètement vers l'avant.

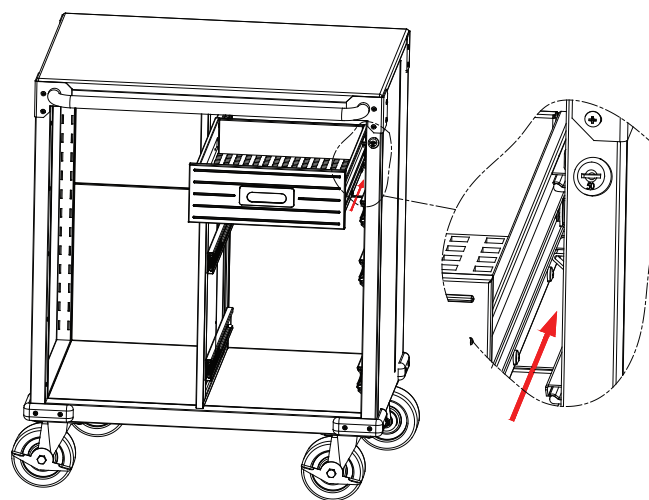


## 14. Installation des quatre (4) tiroirs dans le meuble. (fig N)

Pour installer un tiroir, tirez les coulisses à roulement à bille vers l'avant. Insérez ensuite les supports du tiroir à l'intérieur des rainures des coulisses du Panneau droit (#3) et du Panneau du Milieu (#5). Répétez ces étapes pour installer les quatre (4) tiroirs. Glissez les quatre (4) tiroirs (trois petits et un grand) un à la fois dans le meuble.

Une fois terminé, installez les Tapis de tiroir (#16) à l'intérieur des tiroirs.

fig N



# INSTRUCTIONS D'INSTALLATION 20

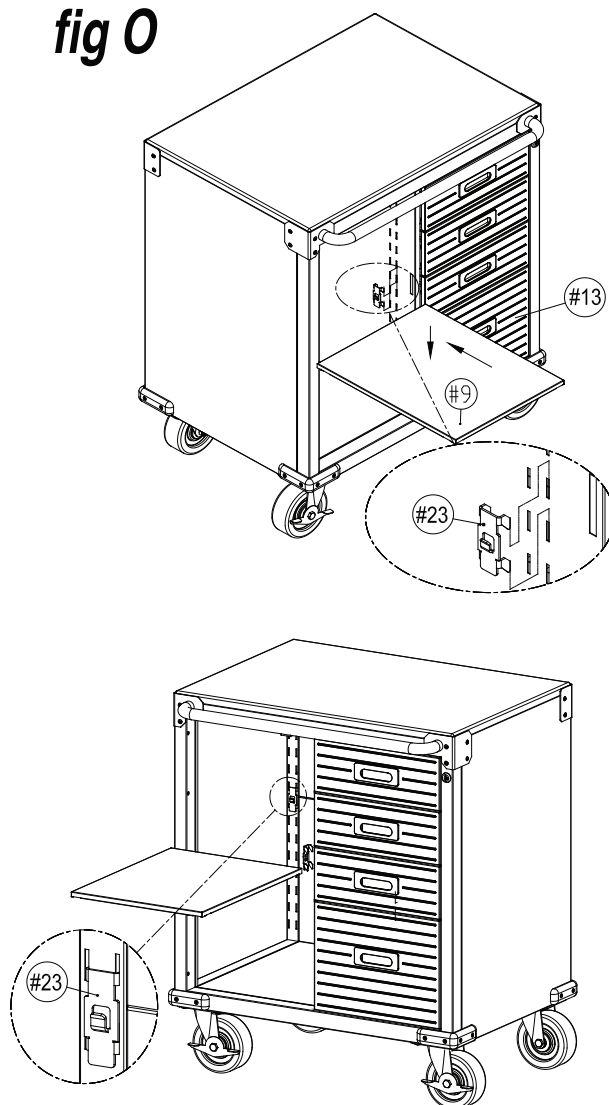
## 15. Install the Middle Shelf (#9). ( fig O )

a). Déterminez la position de chaque Étagère du milieu (#9), installez les Crochets (#23) dans les orifices et sécurisez-les en place.

**Important:** Les étagères du milieu sont munies de quatre (4) crochets aux quatre coins à titre de support. Assurez-vous que les crochets sont tous positionnés à la même hauteur.

b). Installez les Étagères du milieu (#9) dans le meuble et poussez sur les Crochets (#23) vers le bas pour sécuriser ceux-ci en place.

fig O

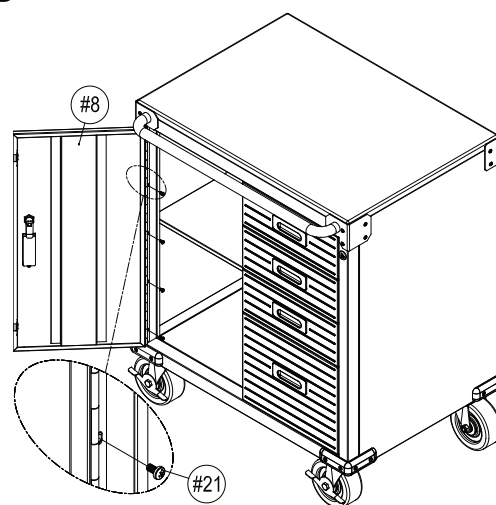


## 16. Installation de la porte (#8). ( fig P )

Attachez la Porte (#8) au meuble à l'aide des Vis B (#21).

**Important:** Le diamètre des orifices des vis de la charnière de la porte est un peu plus grand que requis de façon à ce que la porte puisse être ajustée et centrée dans son cadre.

fig P

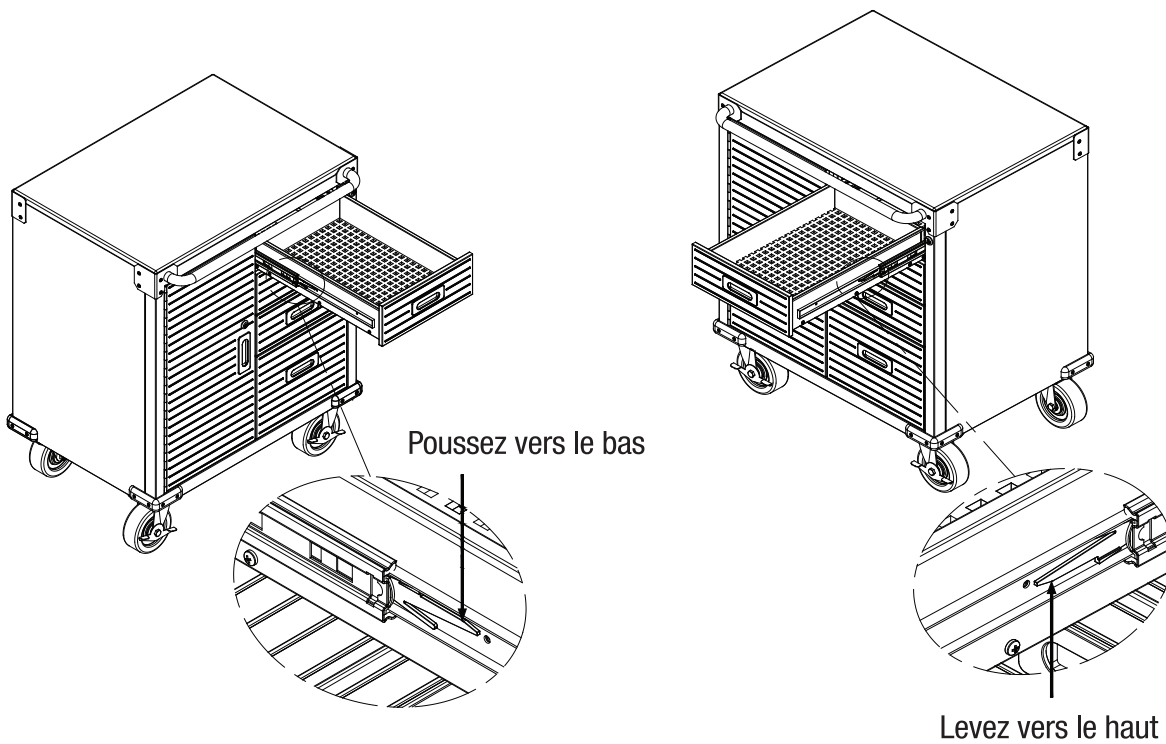


# 21

# INSTRUCTIONS D'INSTALLATION

## Comment retirer les tiroirs du meuble

Pour retirer les tiroirs du meuble, levez le levier en plastique noir à droite du tiroir vers le haut tout en poussant le levier en plastique noir à gauche du tiroir vers le bas. Vous serez alors en mesure de retirer le tiroir.



## ATTENTION



N'ouvrez qu'un seul tiroir à la fois pour éviter de basculer le meuble.

La charge maximale de chaque tiroir est de 40 lb.

# GARANTIE 22



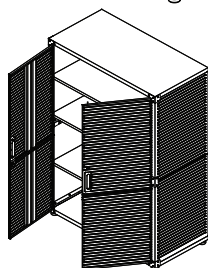
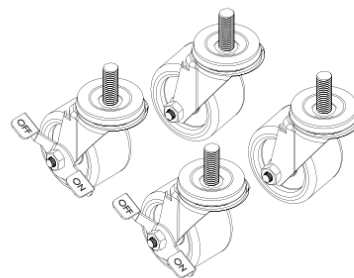
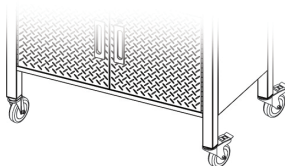
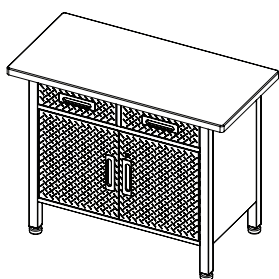
Ce produit BLACKCOMB® comprend une garantie limitée d'un an contre les défauts de fabrication et de matériaux. Sujet aux conditions et aux limitations énumérées ici-bas, ce produit, s'il nous est retourné accompagné d'une preuve d'achat à l'intérieur des délais spécifiés sous la garantie et si couvert par ladite garantie, sera réparé ou remplacé (avec un modèle identique ou un modèle de qualité ou valeur comparable) à notre discrétion. Nous assumerons les coûts de réparation ou de remplacement du produit ainsi que les coûts de main-d'œuvre y afférents.

## **Cette garantie est sujette aux conditions et aux limitations suivantes :**

- a. Une preuve d'achat indiquant la date d'achat doit être fournie.
- b. La présente garantie ne s'applique pas aux produits ou aux pièces de produit usés ou endommagés ou rendus non-opérationnels en raison d'un usage abusif ou inapproprié, de dommages accidentels, de négligence ou en raison d'une installation, d'une utilisation ou d'un entretien inappropriés (tel que spécifié dans le guide d'utilisation ou le guide d'opération applicables), ou d'un usage industriel, professionnel, commercial ou à des fins de location.
- c. La présente garantie ne s'applique pas à l'usage normal ou aux pièces ou accessoires consommables pouvant être fournis avec ce produit et dont l'usage est prévu être inopérant ou inutilisable suivant une période raisonnable d'utilisation.
- d. La présente garantie ne s'applique pas aux dommages causés suite à des réparations complètes ou partielles effectuées par des tiers (i.e. personnes non autorisées par le fabricant).
- e. La présente garantie ne s'applique pas aux produits vendus à l'acheteur original à titre de produits remis à neuf (sauf mention contraire indiquée par écrit).
- f. La présente garantie ne s'applique pas aux produits ou pièces de ces produits si lesdits produits ou pièces contiennent des parties provenant d'un autre fabricant ou si des modifications ou des réparations complètes ou partielles ont été effectuées par un tiers non autorisé.
- g. La présente garantie ne s'applique pas à la détérioration normale du fini extérieur, y compris (mais sans limitations) les éraflures, les bosses, les éclats de peinture, ou toute corrosion ou décoloration causées par la chaleur, ou l'utilisation de nettoyants abrasifs et chimiques.
- h. La présente garantie ne s'applique qu'à l'acheteur d'origine et ne peut être transférée. Ni le détaillant, ni le fabricant ne seront tenus responsables en cas de dépense, perte, dommage, y compris et sans limitations, toute perte indirecte, dommage consécutif ou dommage punitif liés à la vente, l'utilisation ou l'impossibilité d'utiliser ce produit.

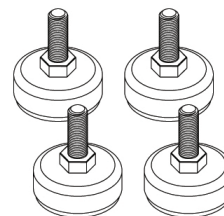
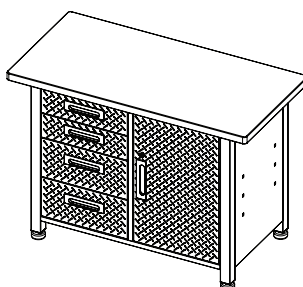
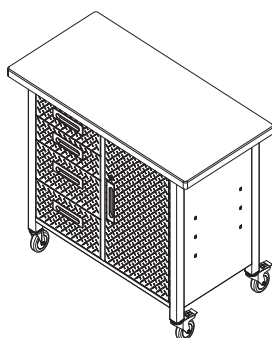
# 23 PIÈCES DE RECHANGE ET ADDITIONNELLES

Salmon Boy Ltd. est fier de fournir des pièces de rechange et des pièces additionnelles pour vos armoires et établis BLACKCOMB. N'hésitez pas à nous contacter pour commander ces pièces ou pour toutes questions au [Service@SalmonBoy.ca](mailto:Service@SalmonBoy.ca), 1-866-221-8146.



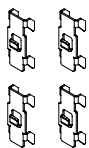
## M14 Module de roulettes

Ensemble de quatre roulettes pivotantes (deux munies de freins) pour armoires/établis 20248J, 16241J, 68-6364, 68-6365, 68-1221, 68-0667.



## M12 Pattes ajustables

Ensemble de quatre pattes ajustables pour établis 68-1224.



## Étagères supplémentaires

Étagères munies de quatre crochets (si requis) pour armoires/établis 20248J, 20209J, 16236J, 16241J, 20205J, 68-0558, 68-1224, 68-1226, 68-6364, 68-6365, 68-6366, 68-1221, ou 68-0667.



## Serrure

Nouvelle serrure comprenant deux clés.