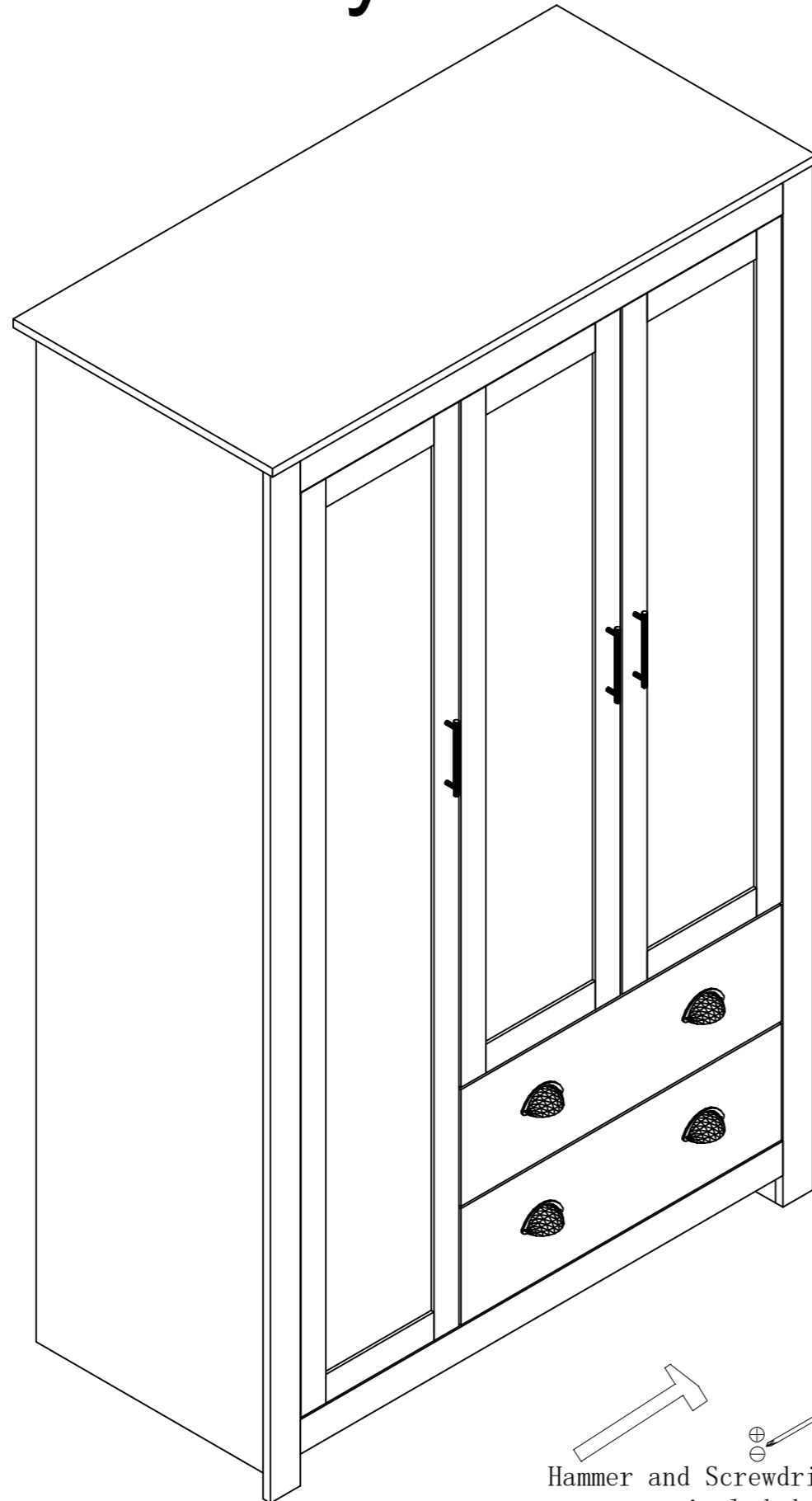
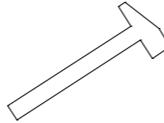

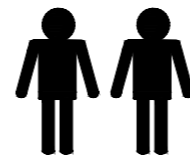


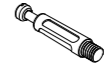



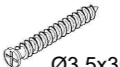



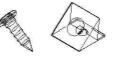
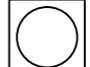









Assembly Instruction



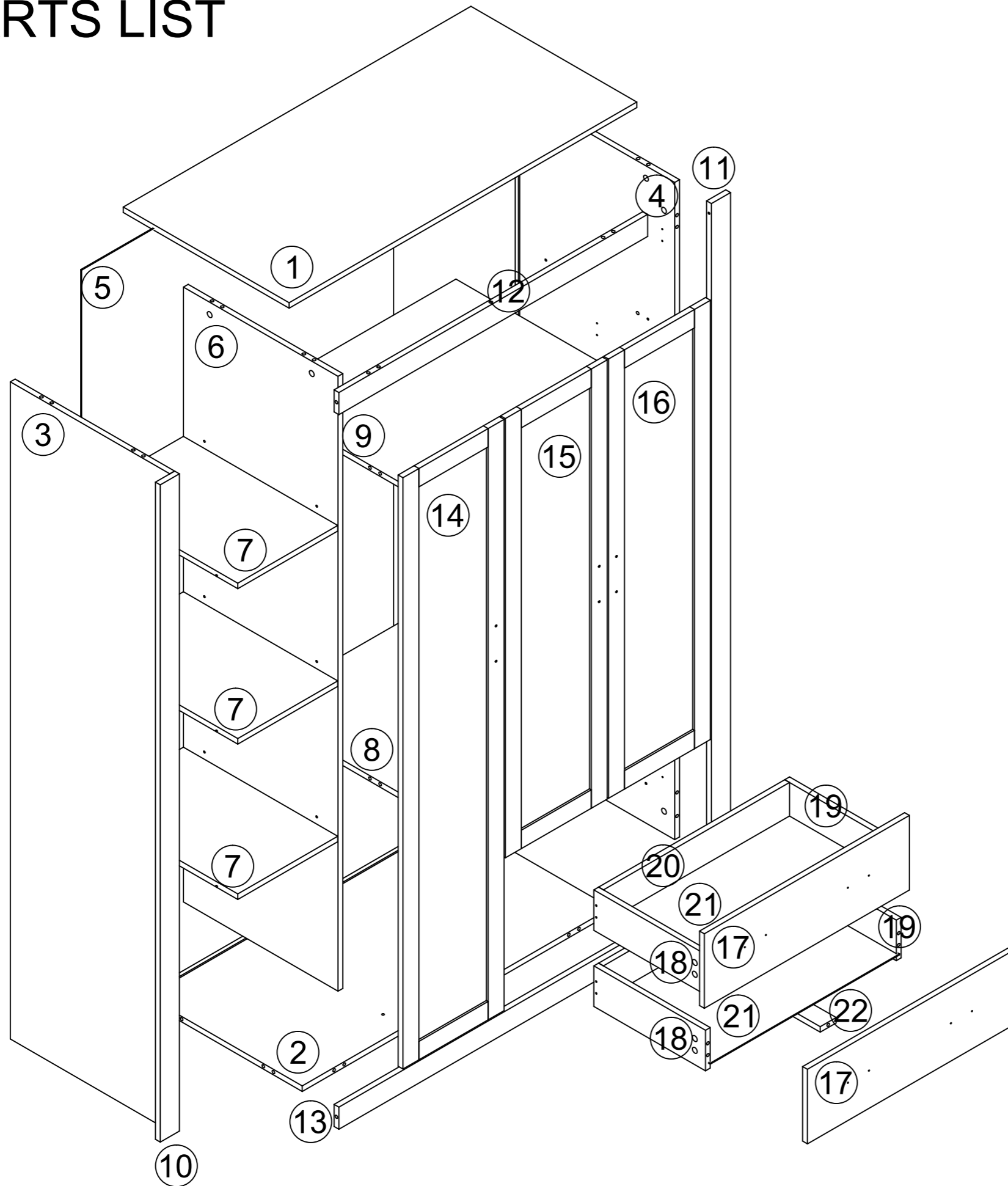



 Hammer and Screwdriver
 are not included !!



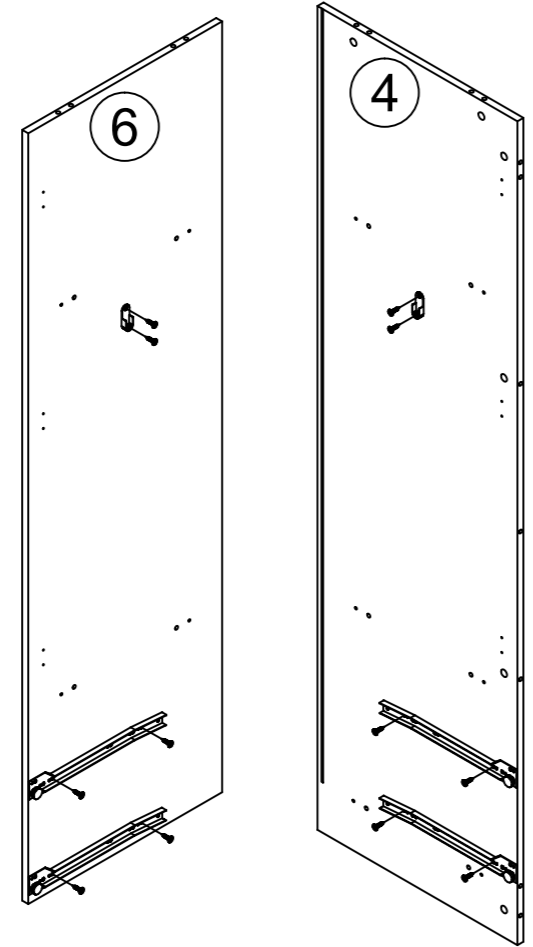
NO.	QTY.	LINEDRAWING
(A)	48	
(B)	48	
(C)	28	 Ø8x40
(D)	2	 Ø5x40
(E)	8	 Ø3.5x35
(F)	6	
(G)	92	 Ø3.5x14
(H)	2	
(I)	40	
(J)	48	
(K)	4	
(L)	6	
(M)	3	
(N)	1	
(O)	2	
(P)	7	
(Q)	12	
(R)	3	
(S)	2	 3.5x35 3.5x14

PARTS LIST



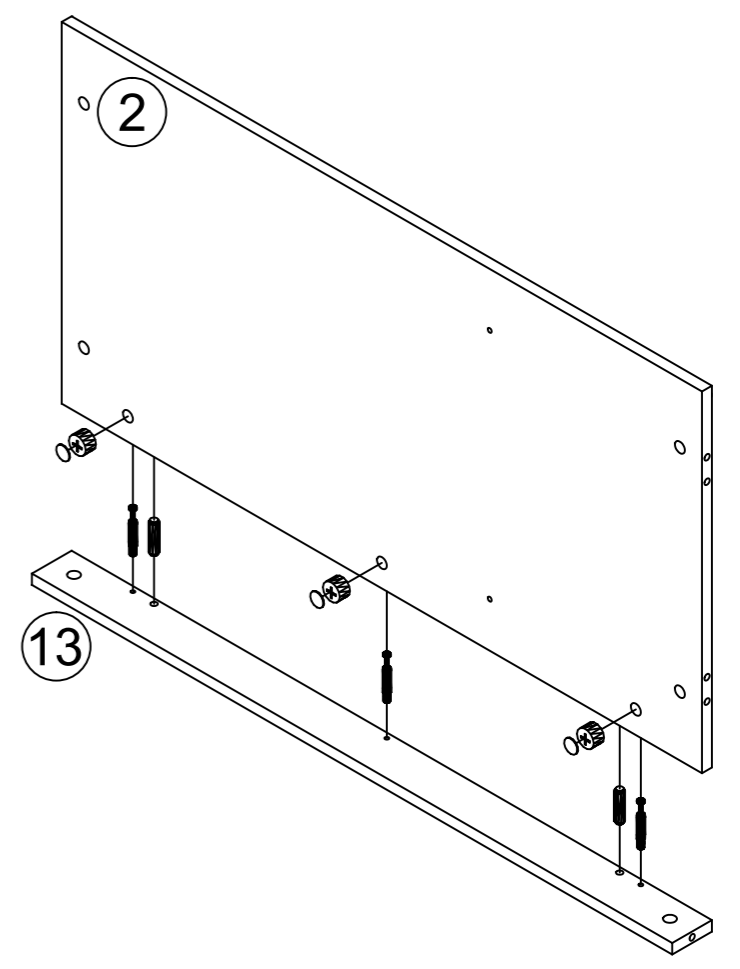
NO.	QTY.	NO.	QTY.
①	1	①⑦	2
②	1	①⑧	2
③	1	①⑨	2
④	1	②①	2
⑤	1	②②	2
⑥	1		
⑦	3		
⑧	1		
⑨	1		
⑩	1		
⑪	1		
⑫	1		
⑬	1		
⑭	1		
⑮	1		
⑯	1		

1



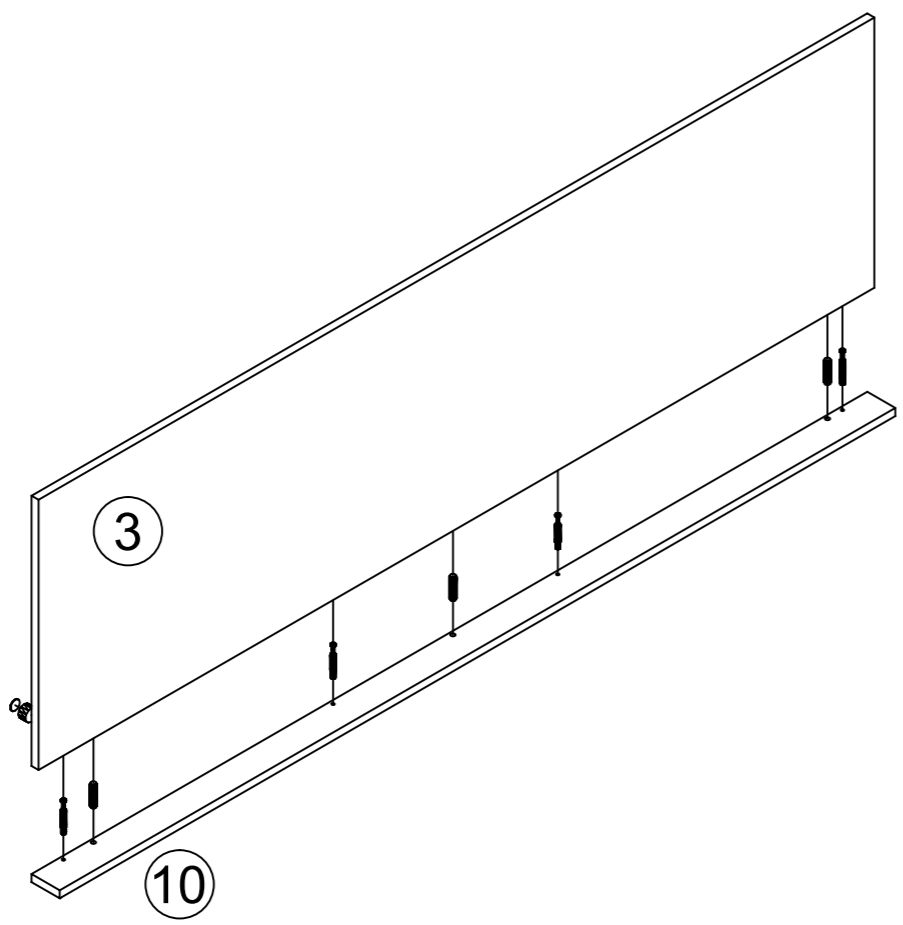
O		2x
H		2x
G		12x

2



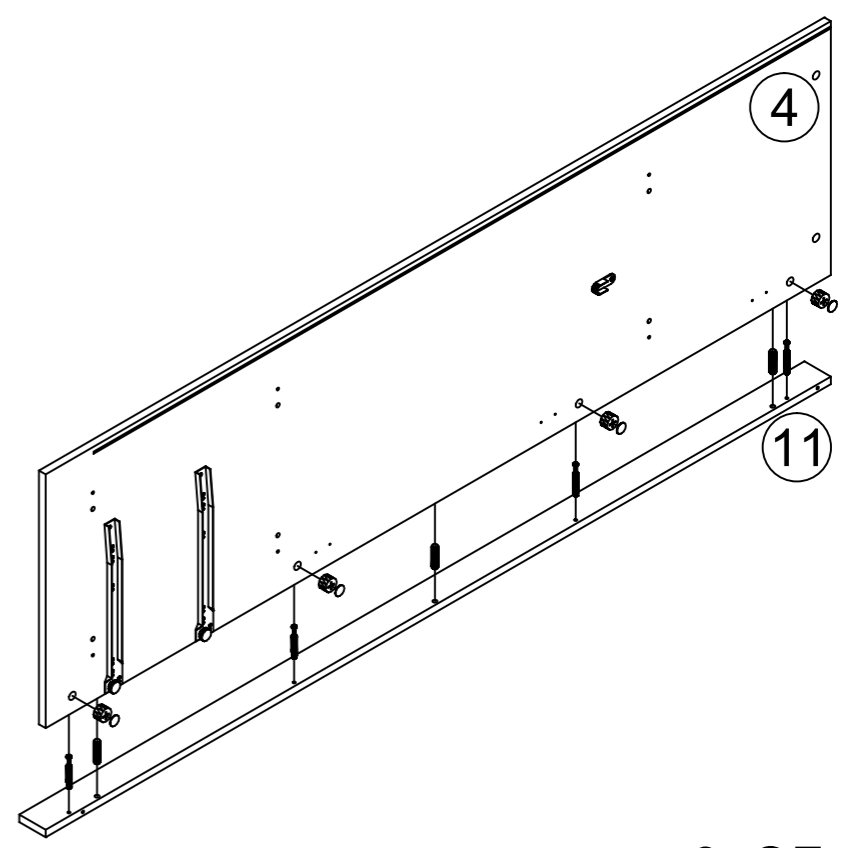
A		3x
C		2x
B		3x
J		3x

3



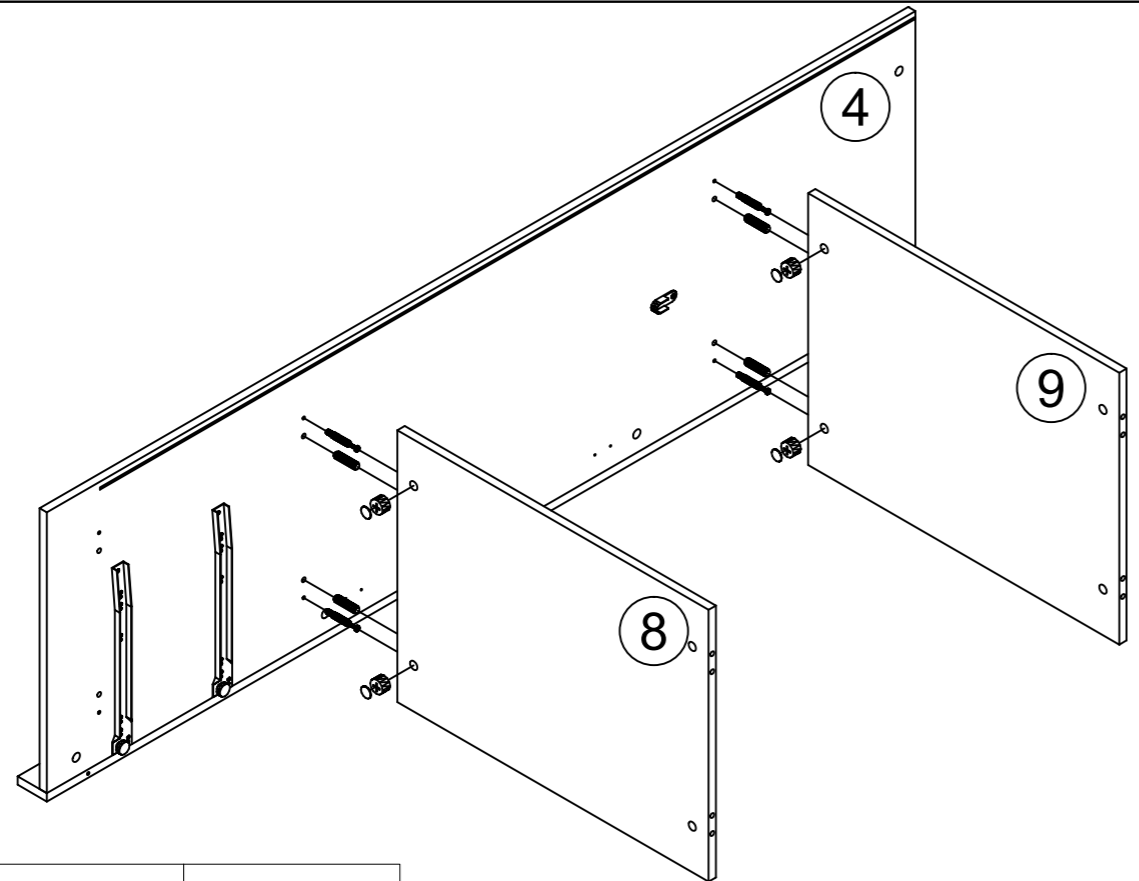
A		4x
C		3x
B		4x
J		4x



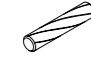
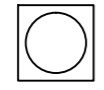
4



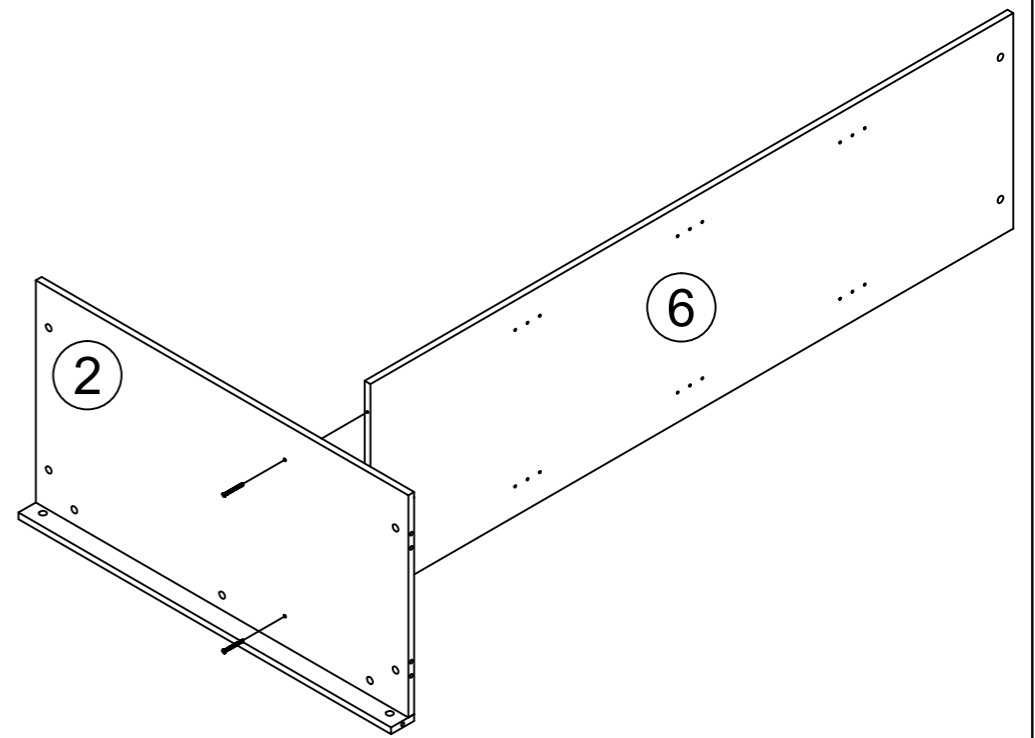
A		4x
C		3x
B		4x
J		4x


5



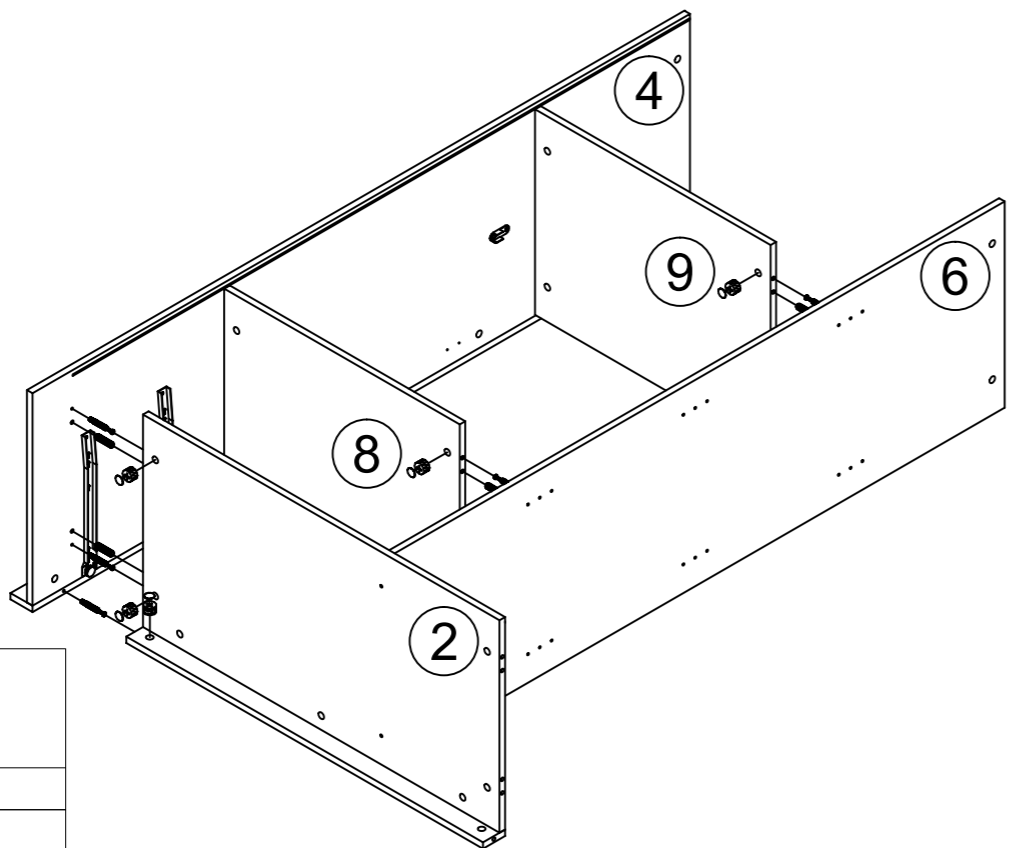
A		
	4x	
B		
	4x	4x
J		
	4x	



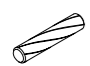
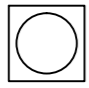
6



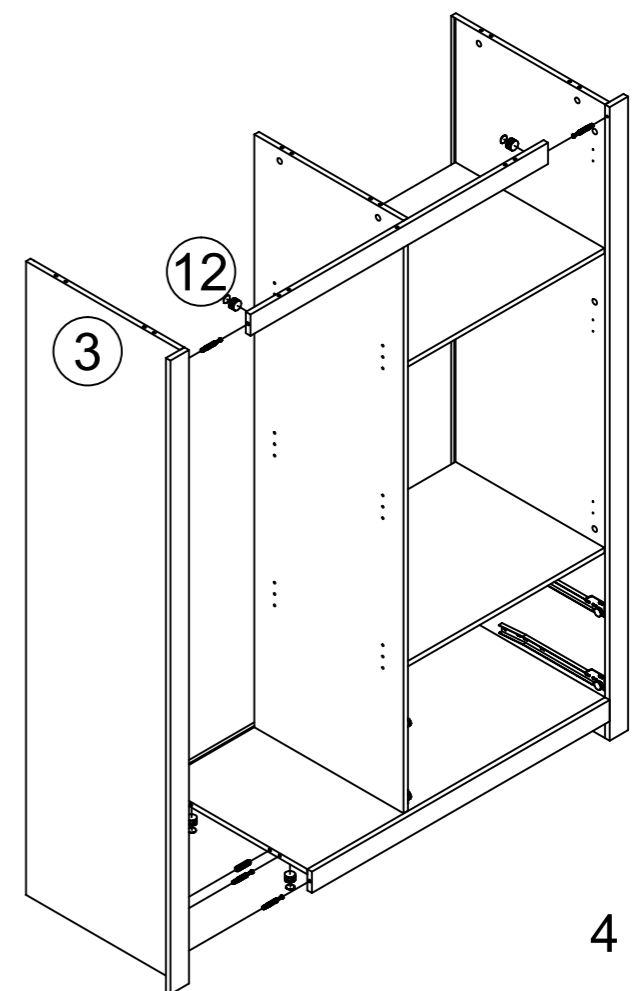
D	
	Ø5x40
	2x

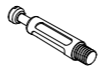


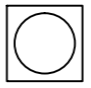
7



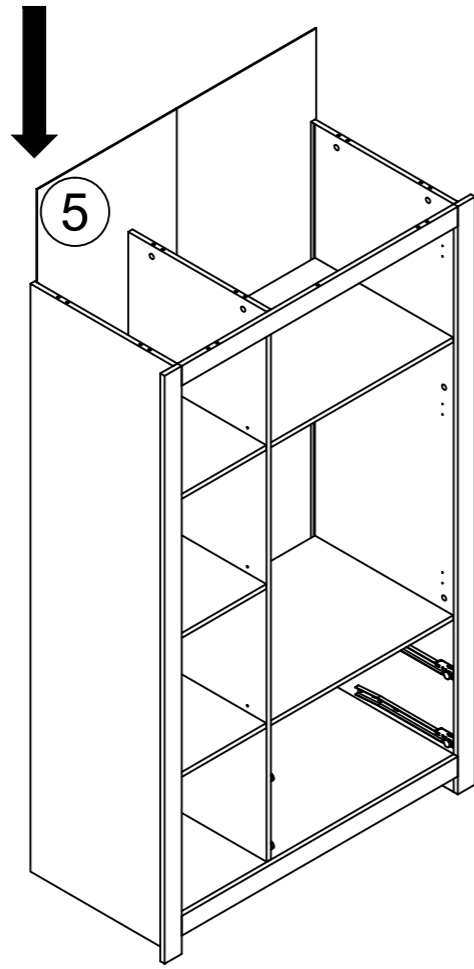
A		B	
	7x		7x
C		J	
	6x		7x

8

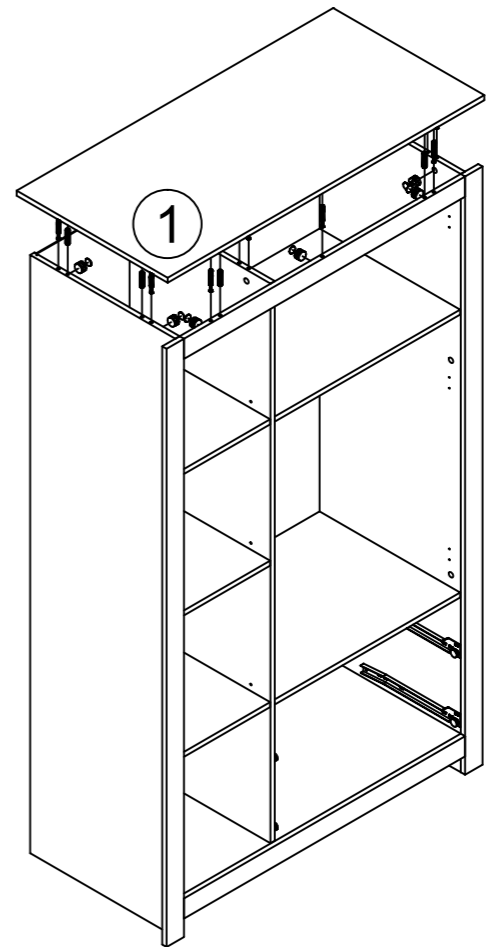


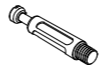


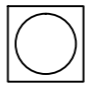
A		B	
	5x		5x
C		J	
	2x		5x

9

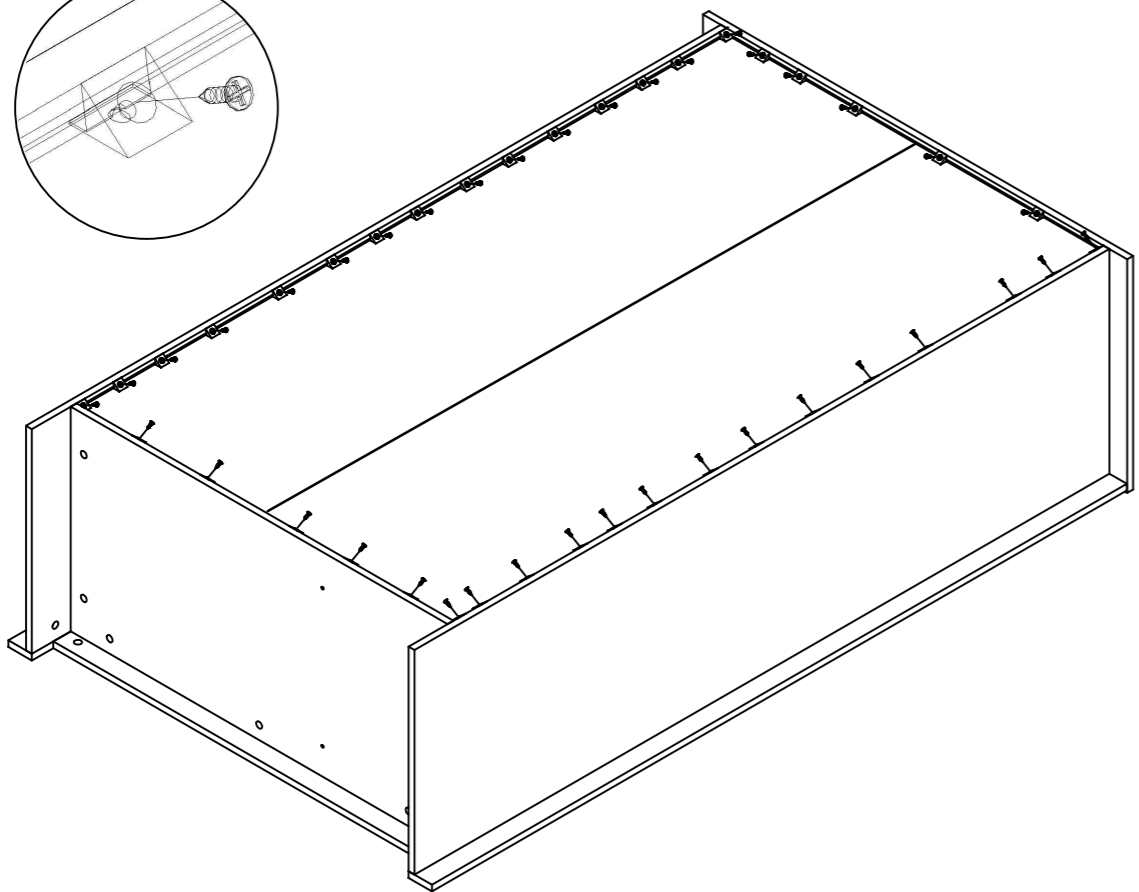
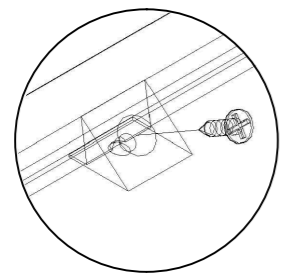


10

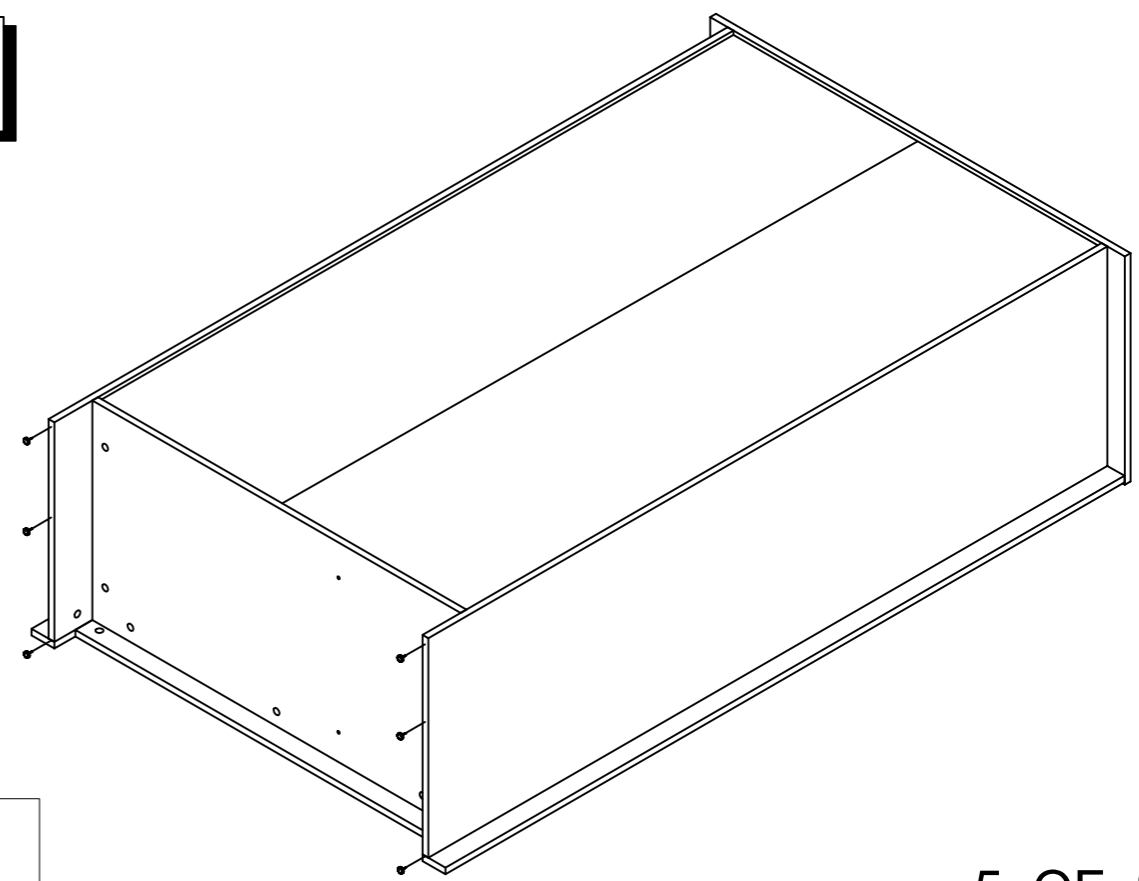




A		B	
	9x		9x
C		J	
	8x		9x


11



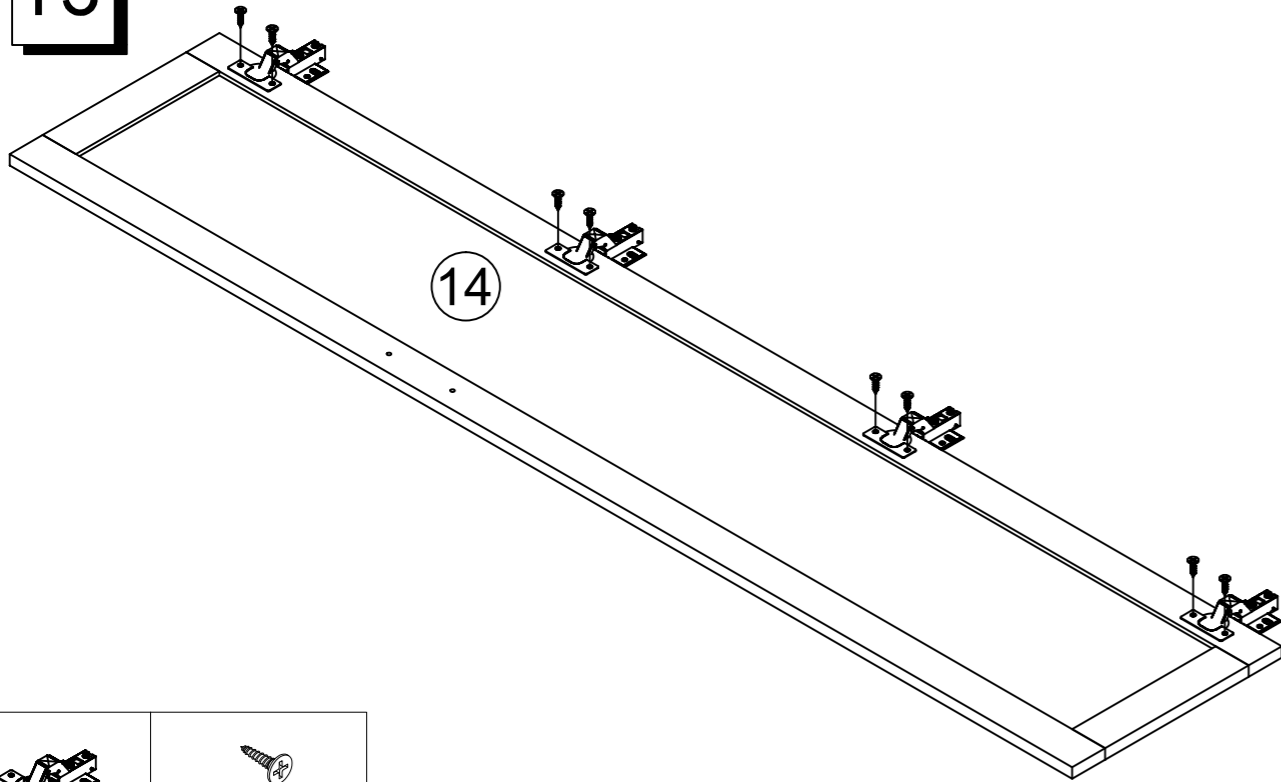
12



I		
	40x	

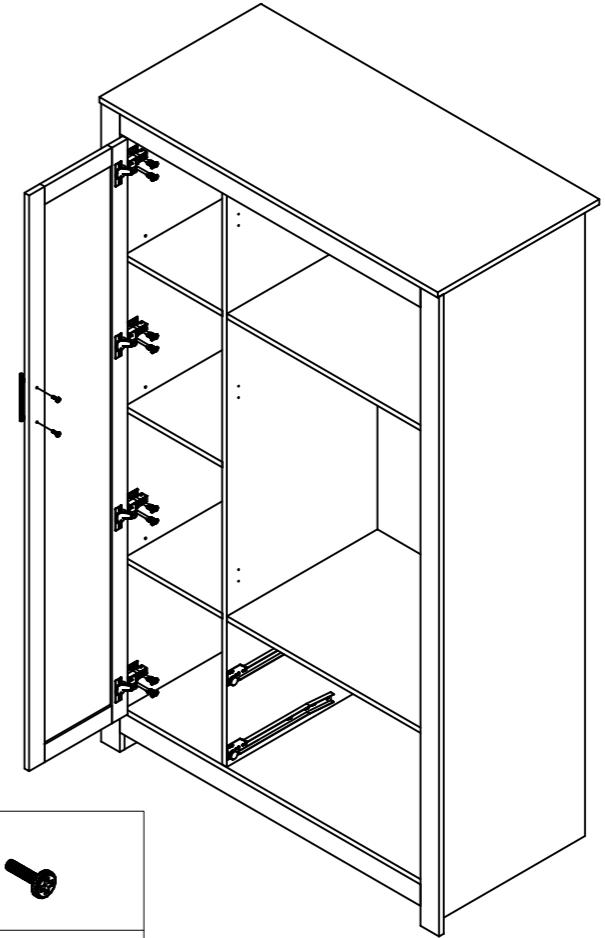
F	
	6x

13



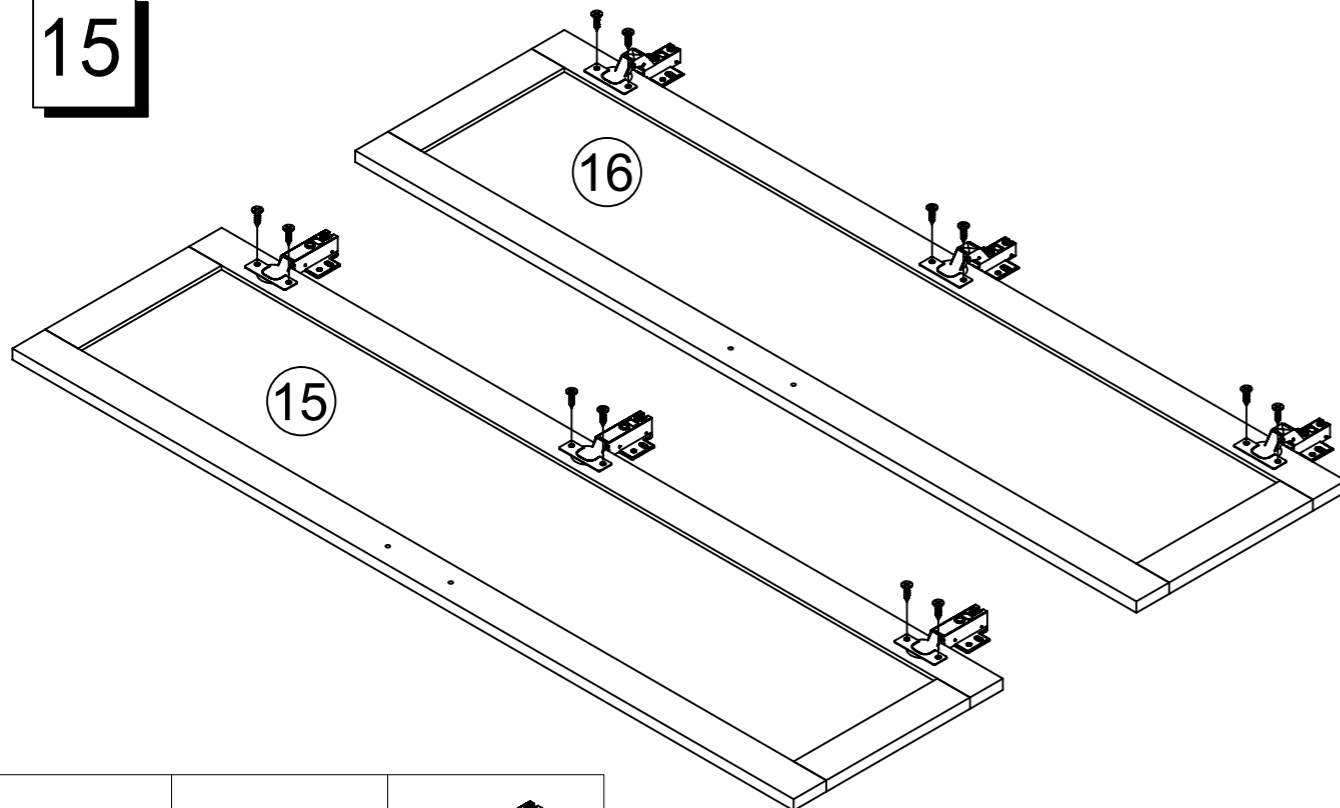
P		G	Ø3.5x14
	4x		8x

14



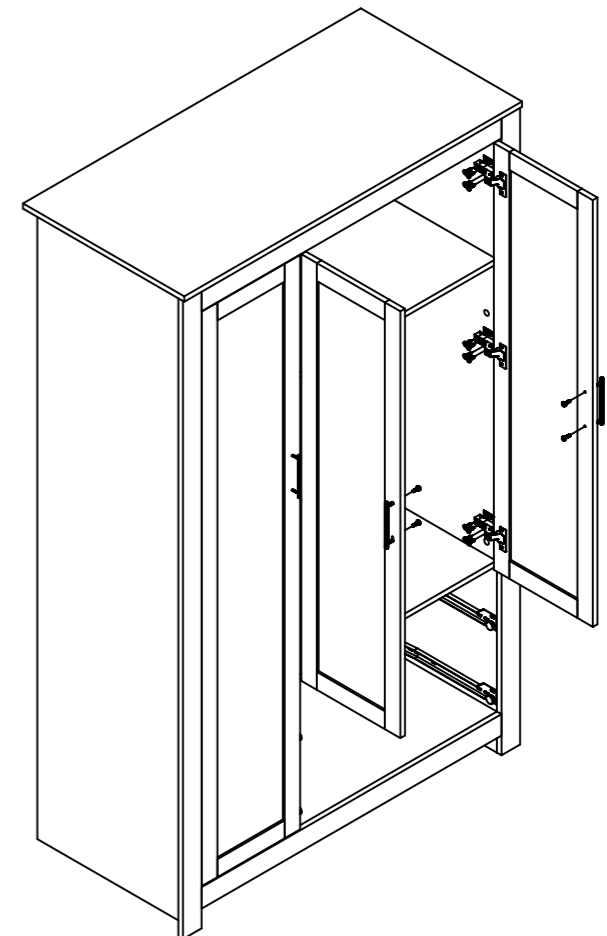
M		G	Ø3.5x14	L	
	1x		16x		2x

15



P		G	Ø3.5x14	R	
	3x		12x		3x

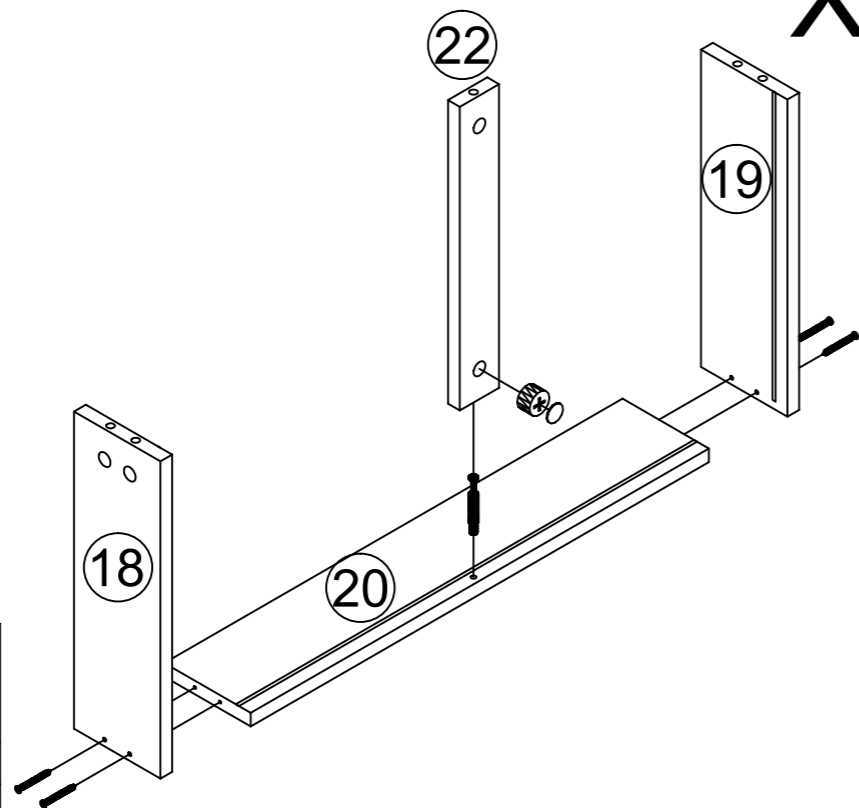
16



M		G	Ø3.5x14
	2x		24x
L			
	4x		

17

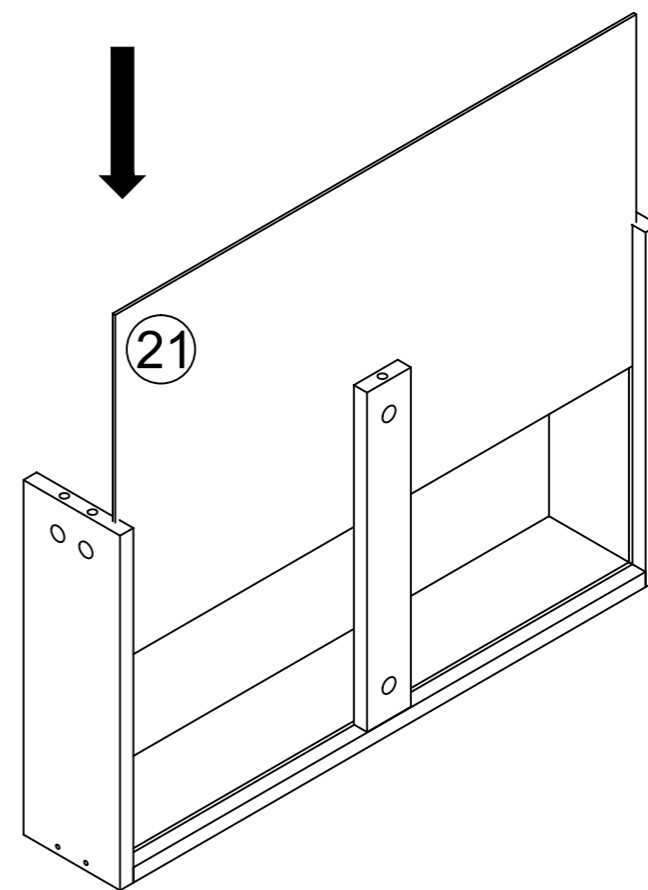
X2



A	B
2x	2x
E	J
Ø3.5x35 8x	2x

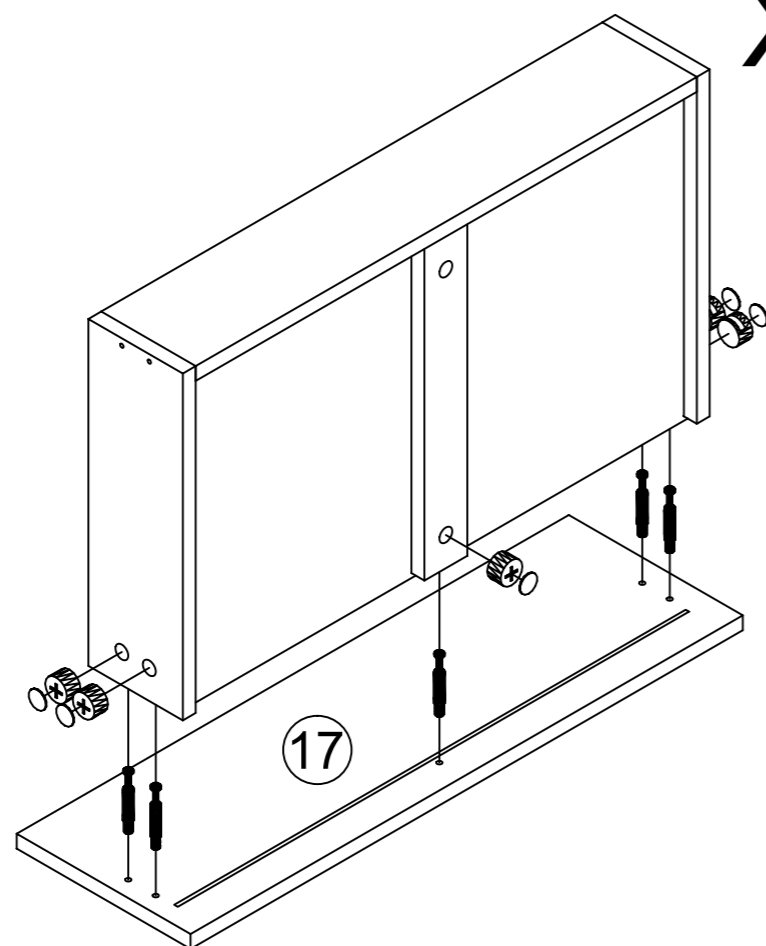
18

X2



19

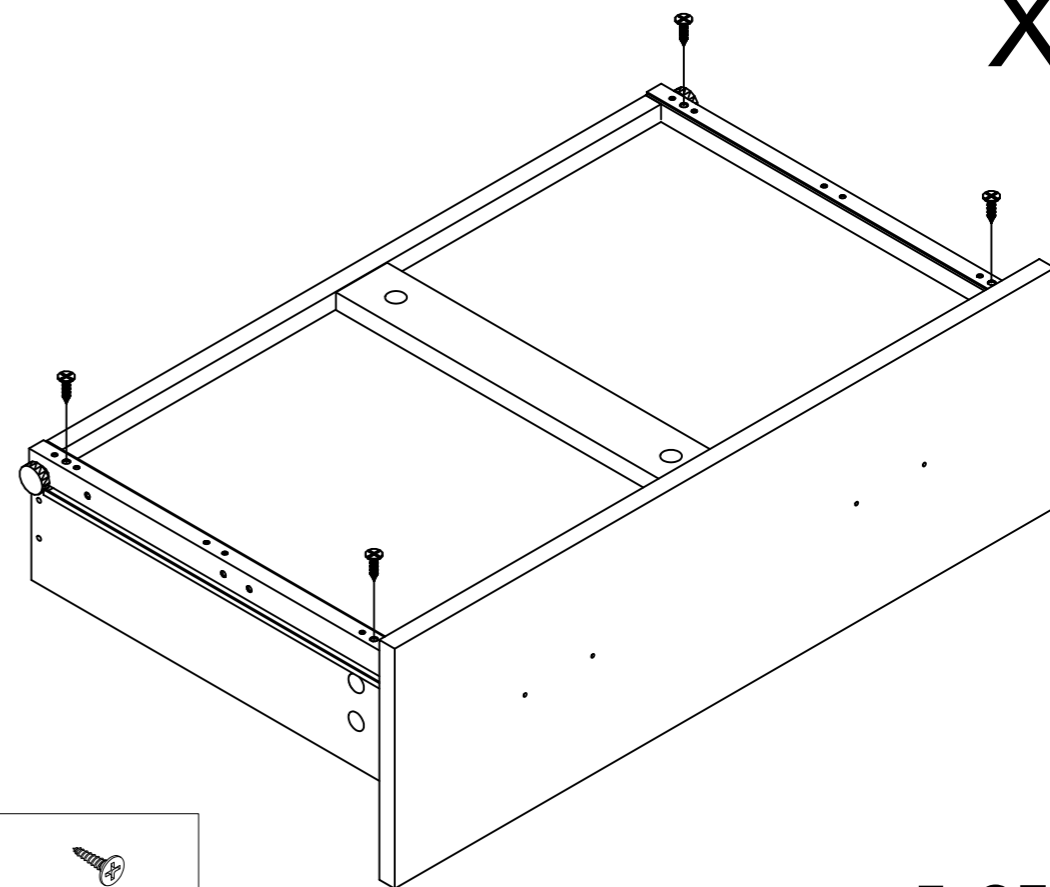
X2



A	B
10x	10x
J	
10x	10x

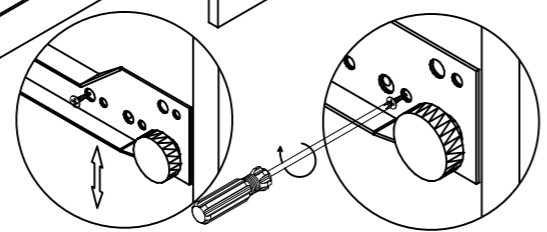
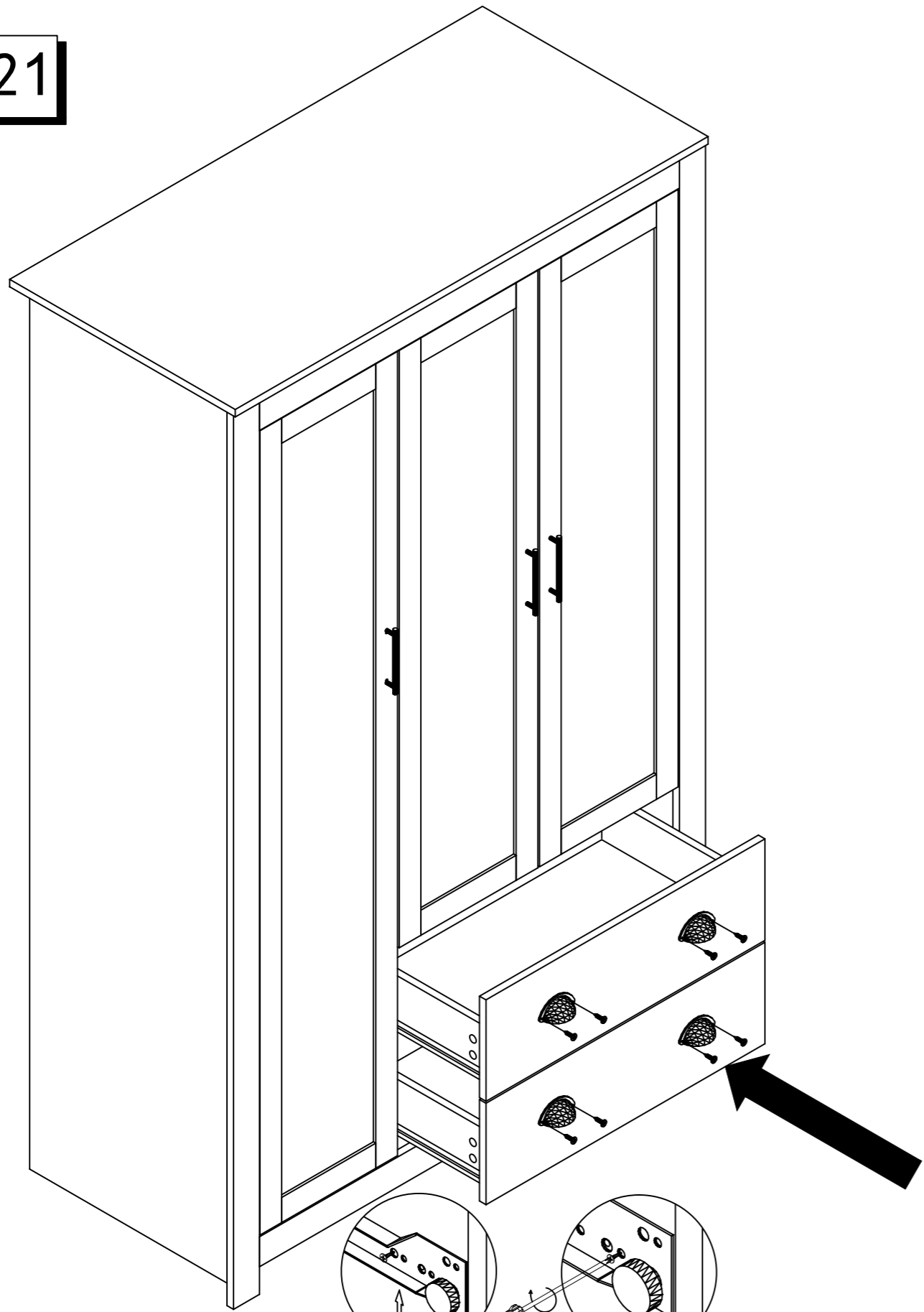
20

X2





H	G
2x	Ø3.5x14 8x

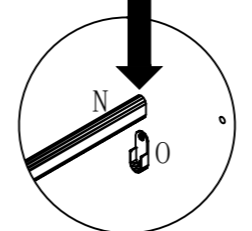
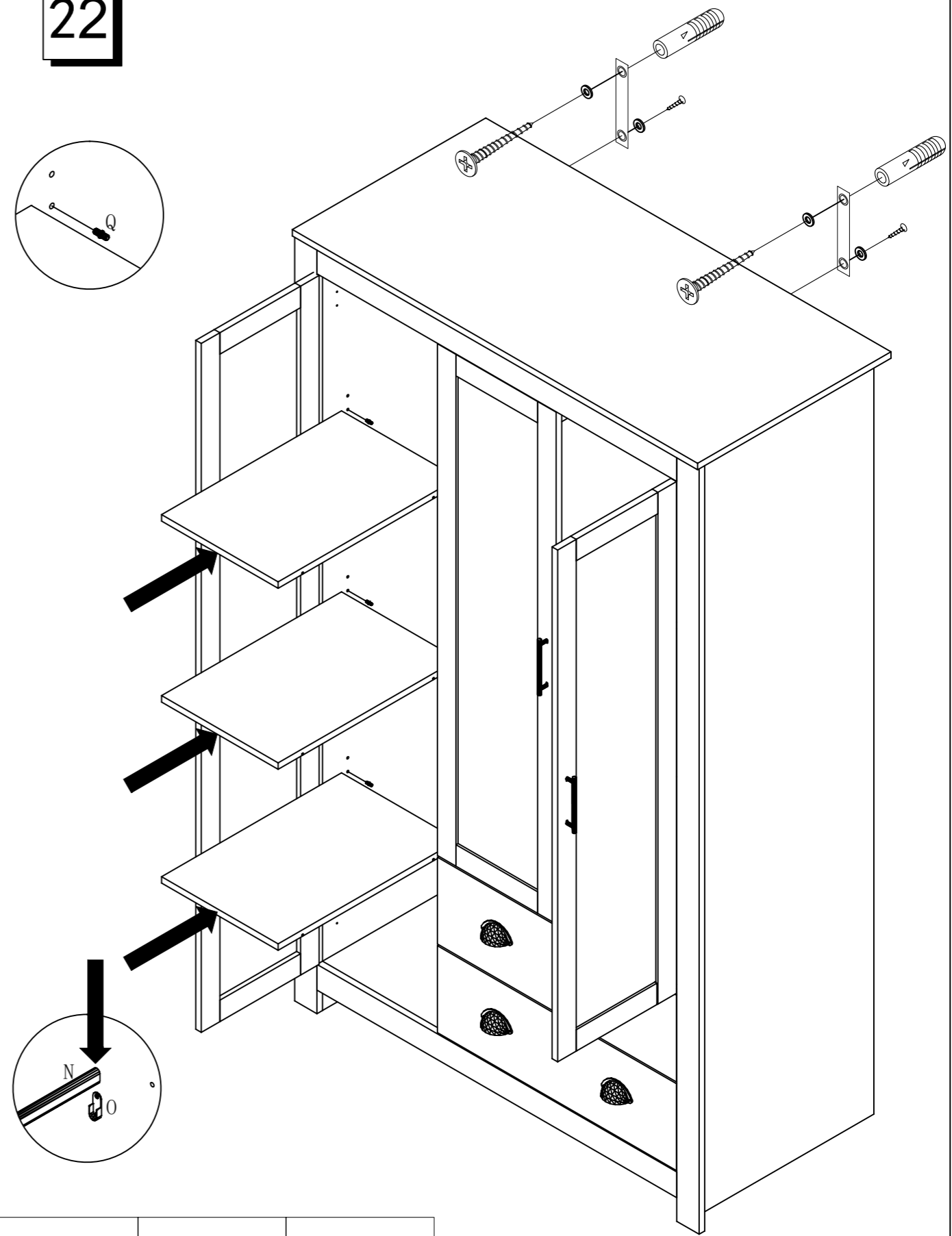
21






Tight the Third screw after drawer adjusted in a Suitable location.

K		G	
	4x		Ø3.5x14
			12x

22



S		Q		N	
	2x		12x		1x