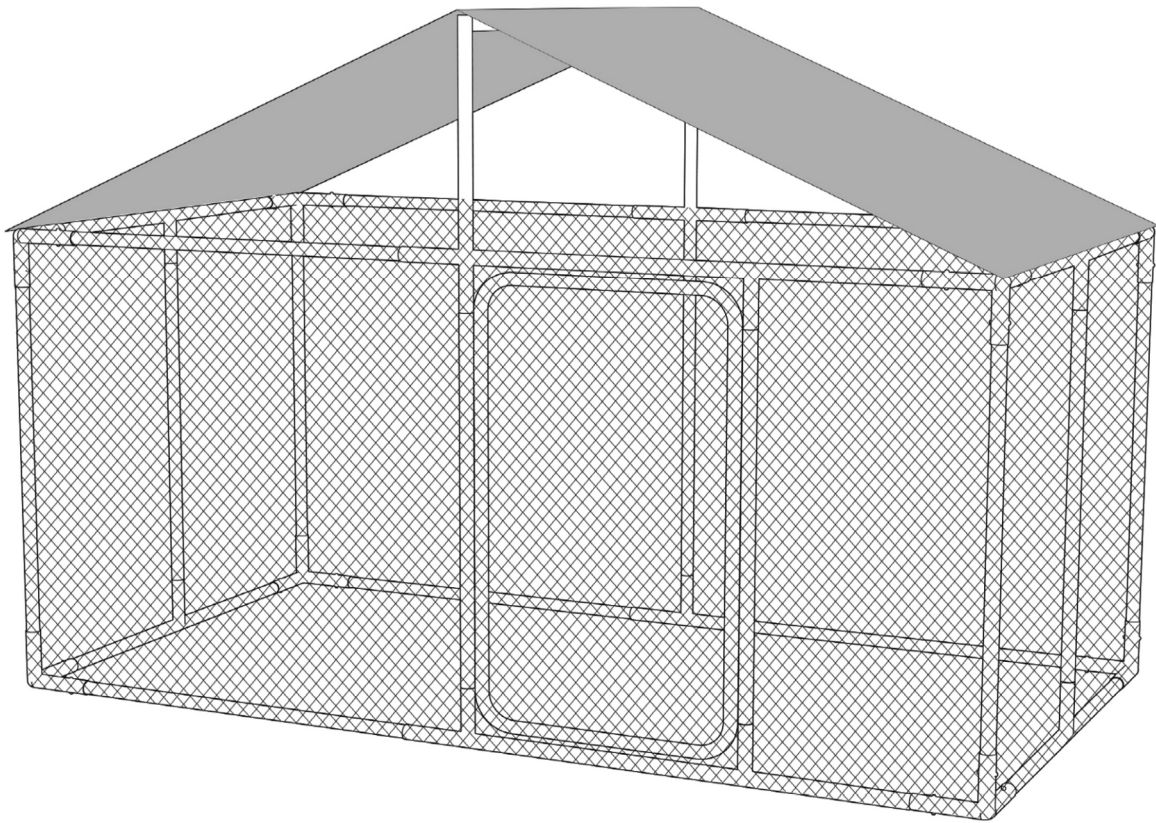


# **118"x118"x83" Large Square Dog Kennel Owner's Manual**



118"x118"x83"

## Before You Begin

### **Owner's Manual**

Before assembly, check local building codes for foundations, locations and other requirements. Check this owner's manual. Carefully detailed information and helpful tips will make your assembly easier and more enjoyable.

**Assembly Instructions:** Instructions are supplied in this manual and contain all appropriate information for your building model. Review all instructions before assembly, follow the steps.

**Parts and Parts List:** Check to be sure that you have all the necessary parts for assembly.

Separate the parts of the carton by the part number while reviewing parts list.

The first few steps show how to connect related parts to make larger sub assemblies which will be used later.

Familiarize yourself with the hardware and fasteners for easier use during assembly. These are packaged within the carton.

**Note:** Extra fasteners have been supplied for your convenience.

## Plan Ahead

**Observe the Weather:** Be sure the day you select to install the dog kennel is dry and calm. Do not attempt to assemble your building on a windy day.

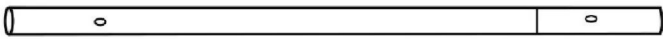

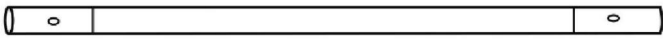
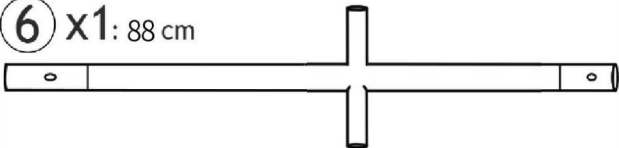
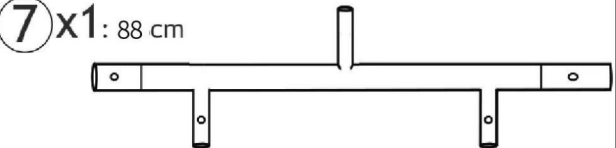
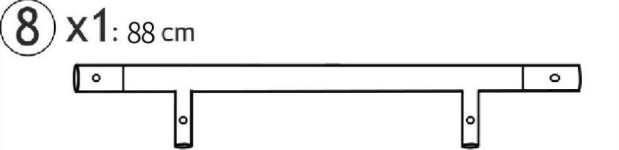
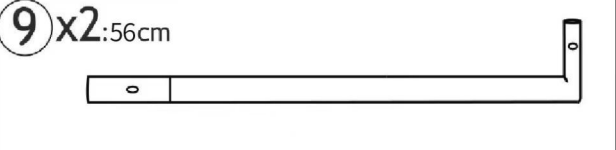
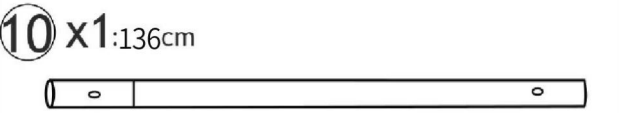
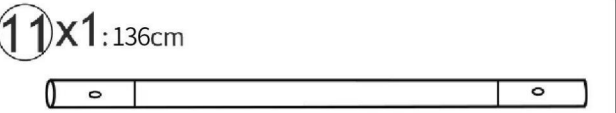

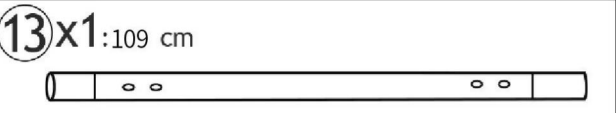
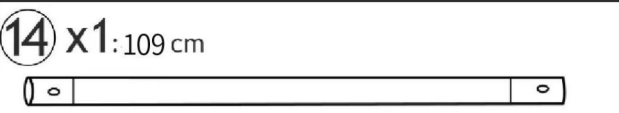
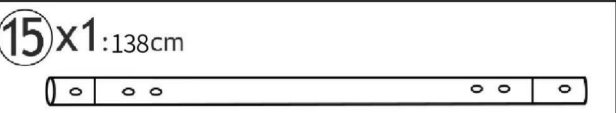
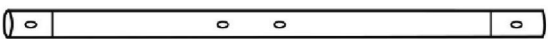
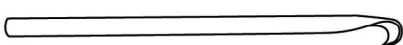
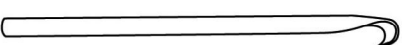
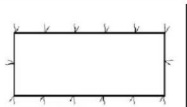
**Teamwork:** If it is possible, two or more people should work together to assemble the dog kennel. One person can position parts or panels while the other is able to handle the fasteners and the tools.

**Tools and Materials:** These are some basic tools and materials you will need for the assembly of the dog kennel. Decide the method of anchoring and the type of foundation you wish to use in order to form a complete list of the materials you will need.

118"x118"x83"

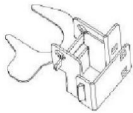

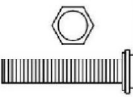

Parts list



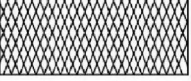


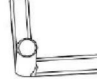
**BOX A** Include

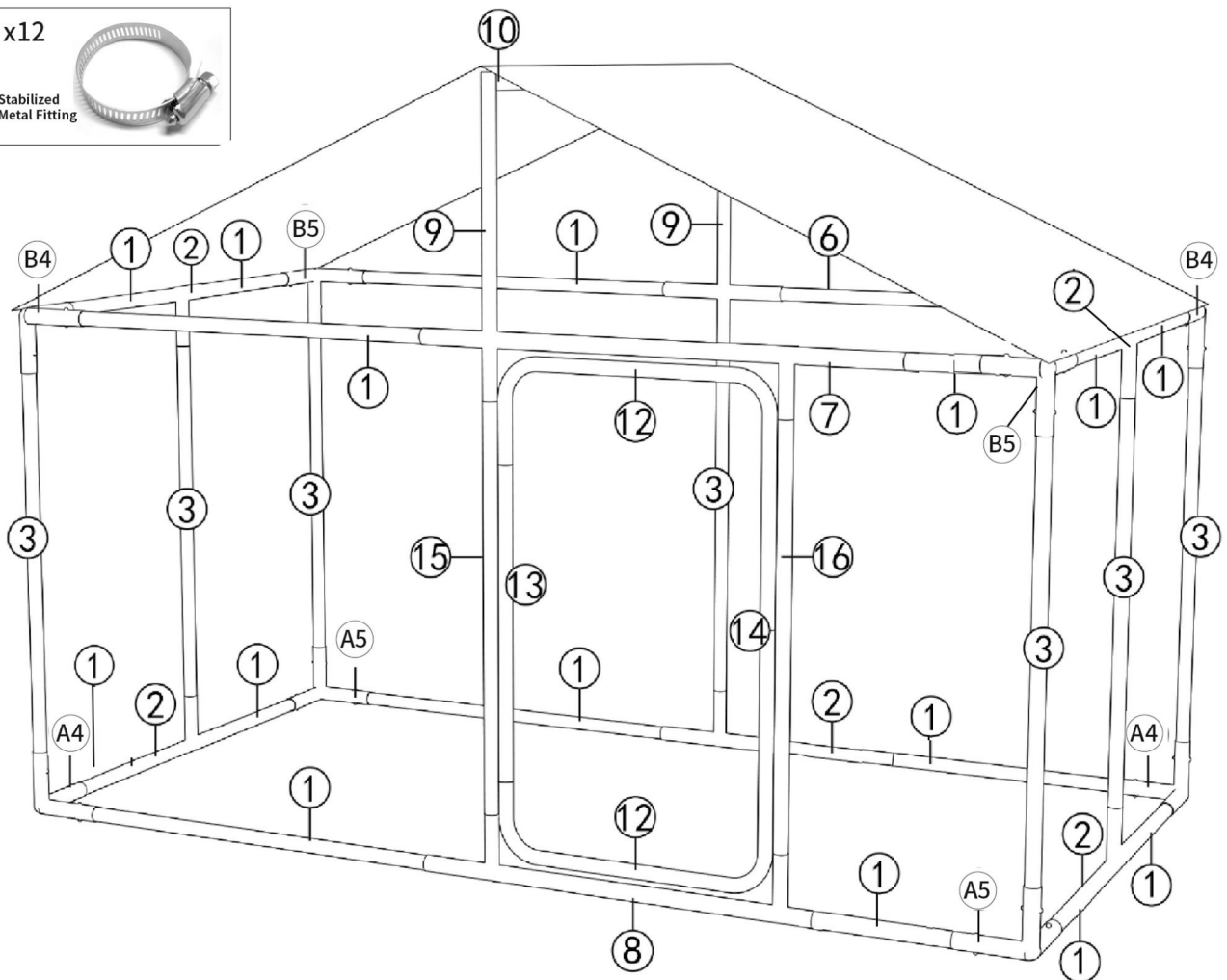
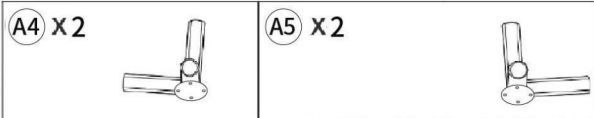
① x16: 99cm 	
② x5: 88 cm 	
③ x7: 138 cm 	
⑥ x1: 88 cm 	⑦ x1: 88 cm 
⑧ x1: 88 cm 	⑨ x2: 56cm 
⑩ x1: 136cm 	⑪ x1: 136cm 
⑫ x2 	⑬ x1: 109 cm 
⑭ x1: 109 cm 	⑮ x1: 138cm 
⑯ x1: 138 cm 	
⑰ x4: 84cm 	⑱ x4: 84cm 
M Rain Cover  1	

118"x118"x83"

# BOX B Include

PART NO.	STYLE PIC	QUANTITY
A	Kennel Gate Latch 	2
B	Door Hinge 	2
E	M6 *45 Screws 	4
F	M4 *16 Screws 	8

I	steel bar 	4	
J	Wrap Ties 	150	
K	Big Mesh 	1	
L	Mesh 	1	
B4 X2		B5 X2	

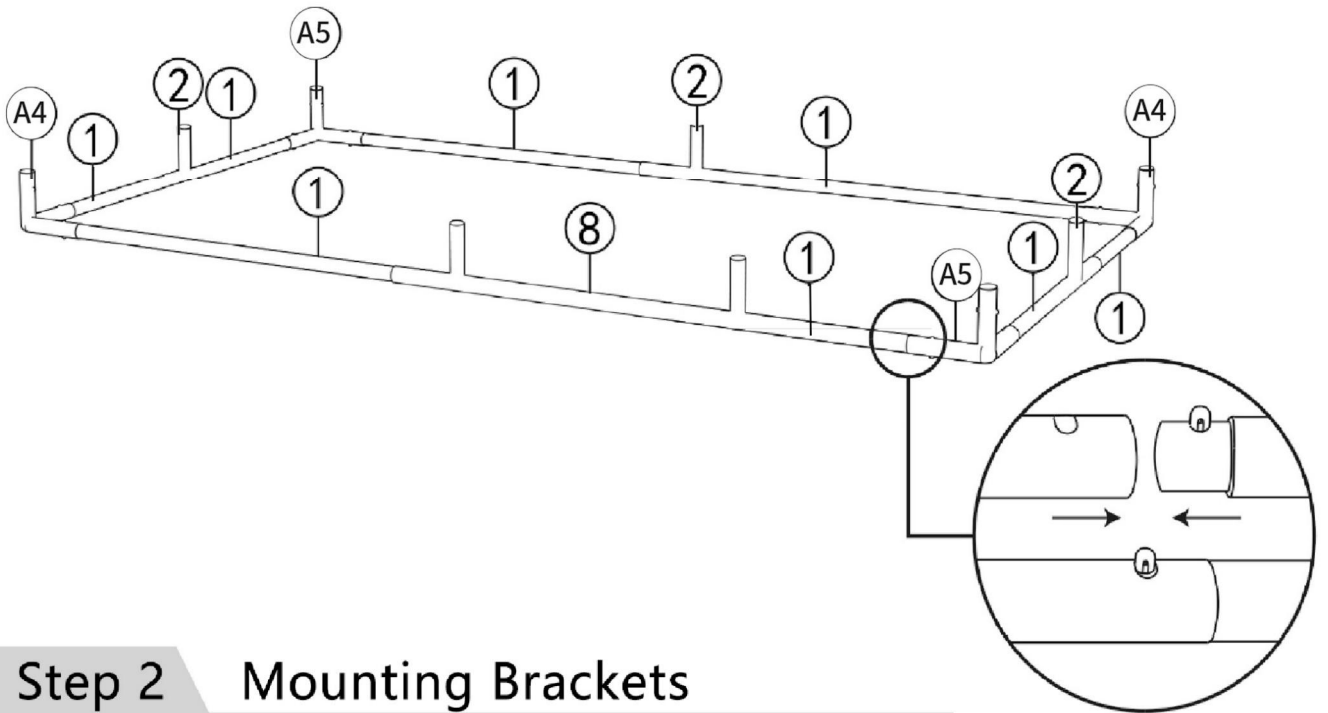


118"x118"x83"

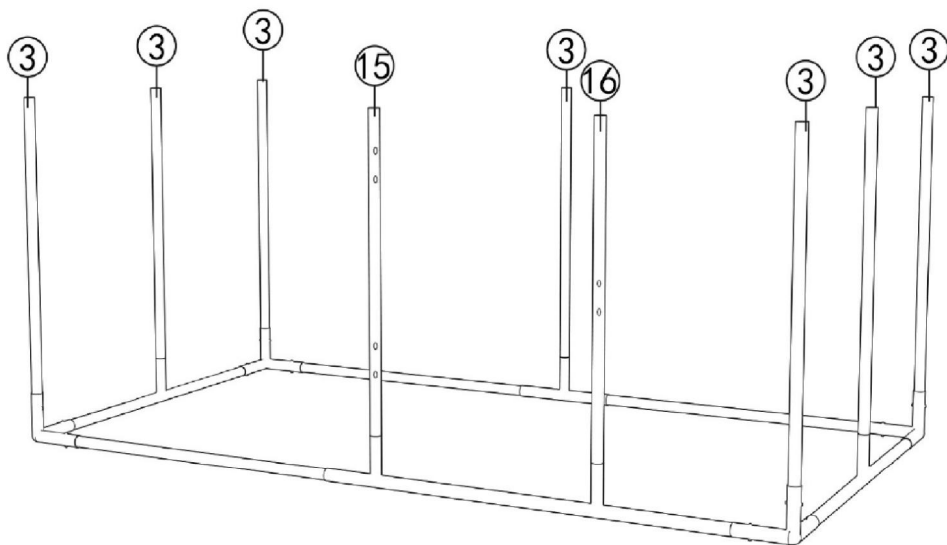
EN

## Assembly

### Step 1 Install Base



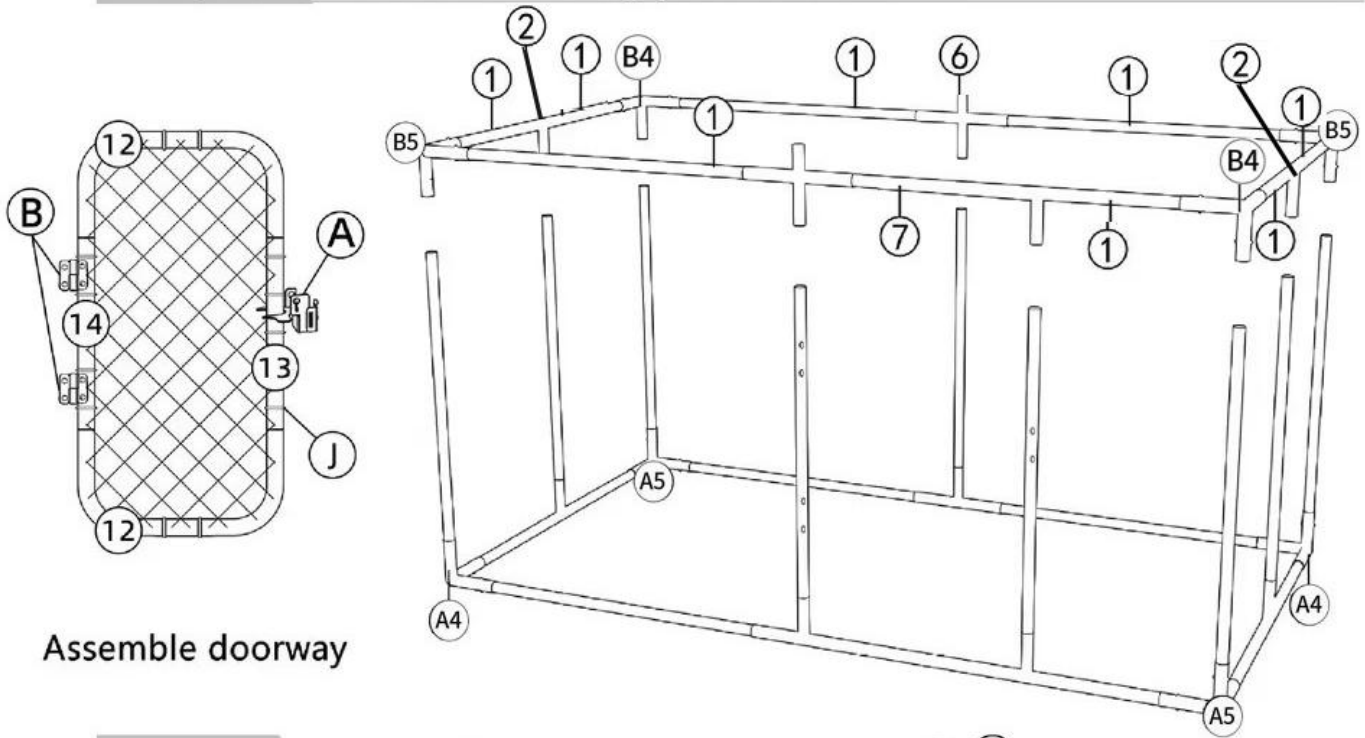
### Step 2 Mounting Brackets



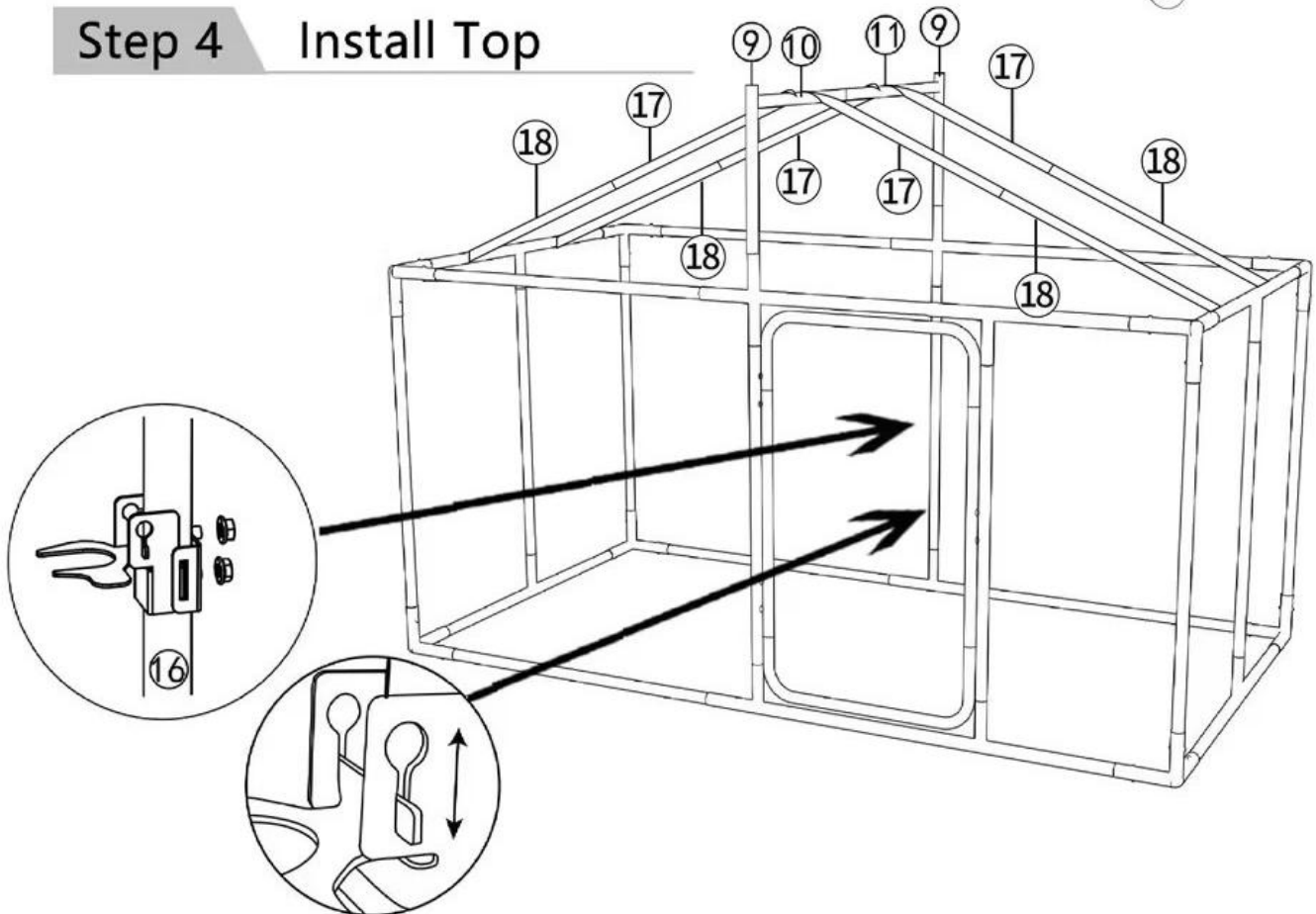
118"x118"x83"

EN

### Step 3 Assemble Upper Frame



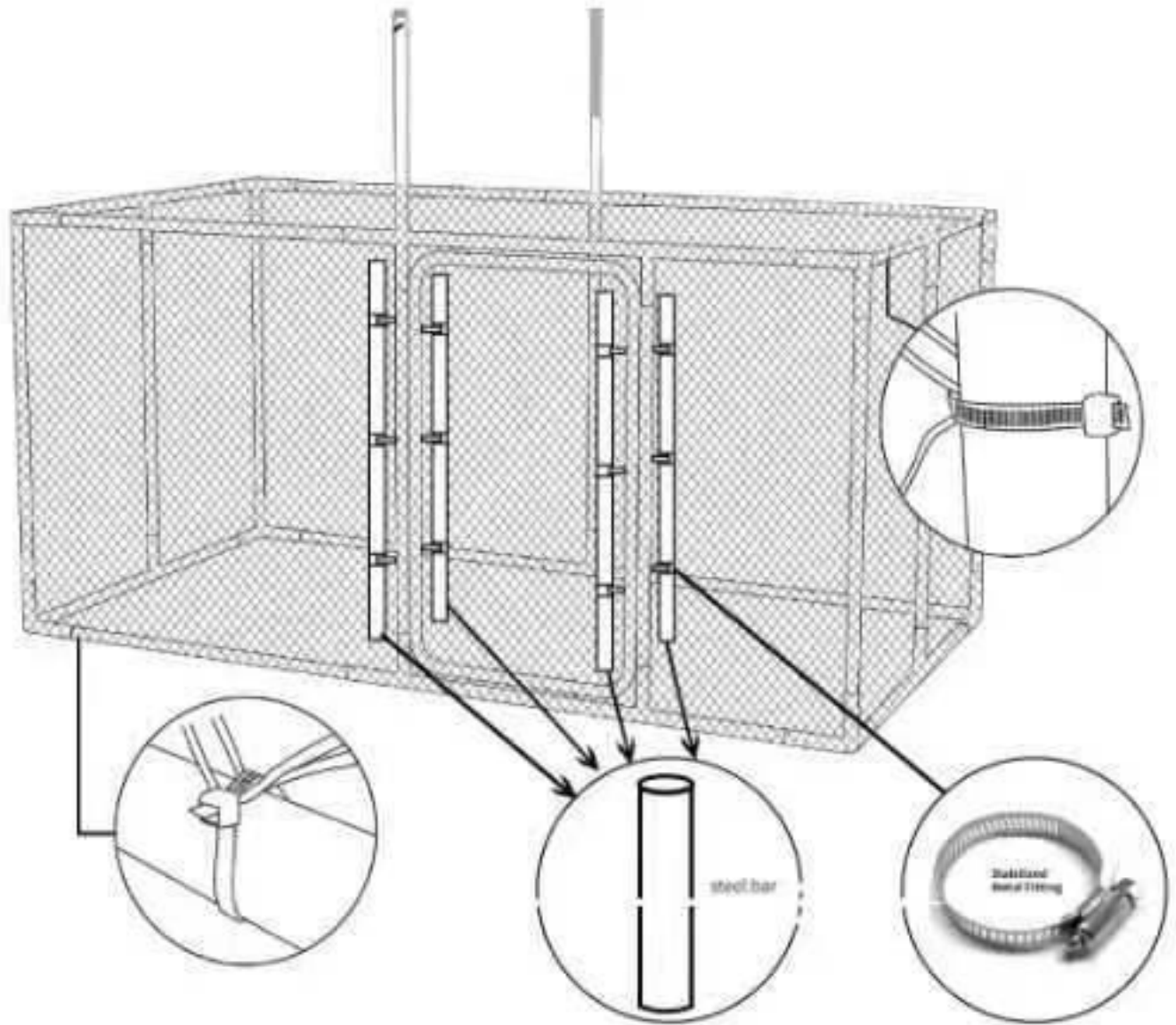
### Step 4 Install Top



118"x118"x83"

EN

### Step 5 Install Fixed Buckle

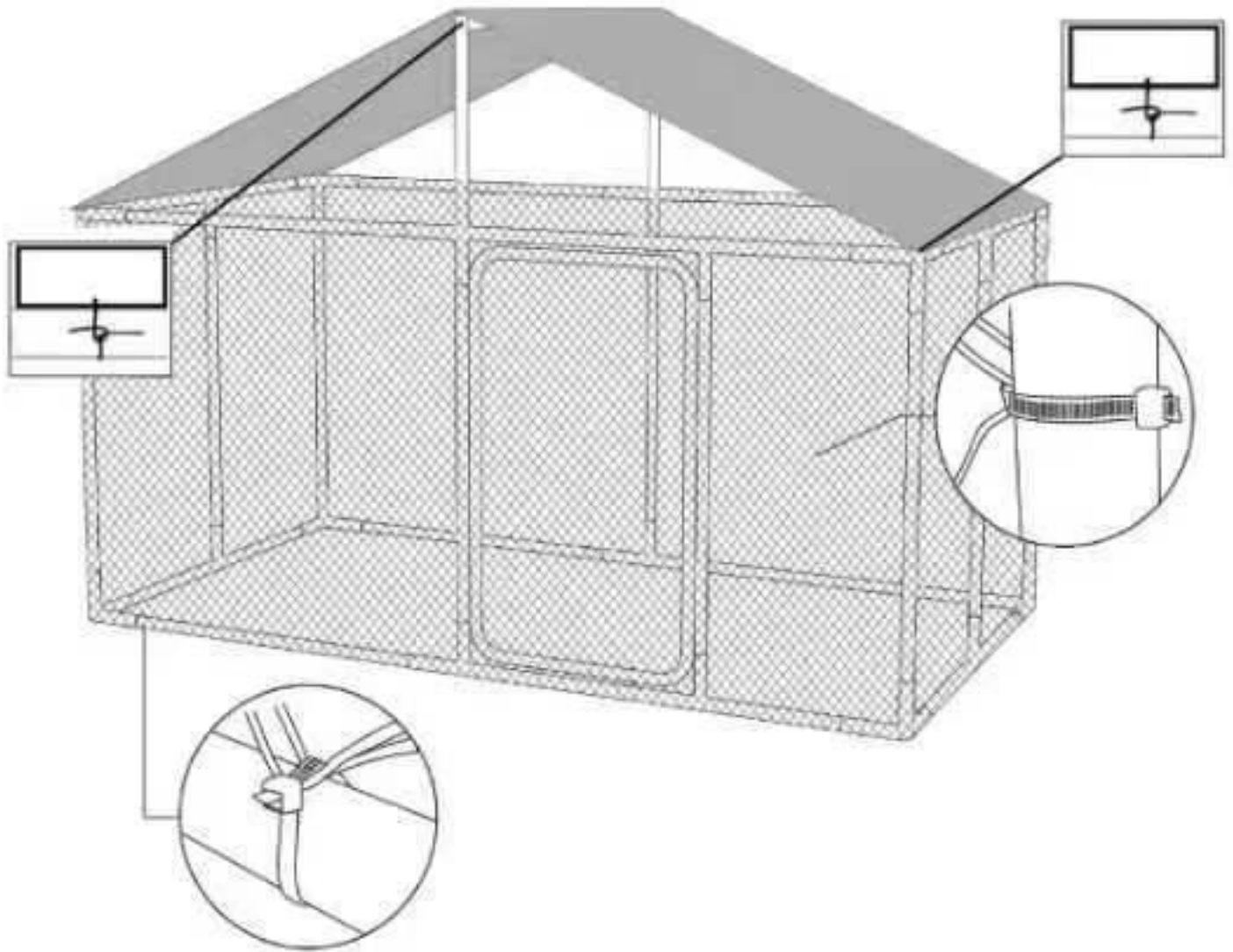


**Recommendation:** Use plastic cable ties on the top half of the dog cage, and use stainless steel cable ties on the bottom where it is easy to chew.

118"x118"x83"

EN

### Step 5 Install Fixed Buckle



Install the rain cover one the top of the dog run. Then a beautiful dog kennel with cover is finished.