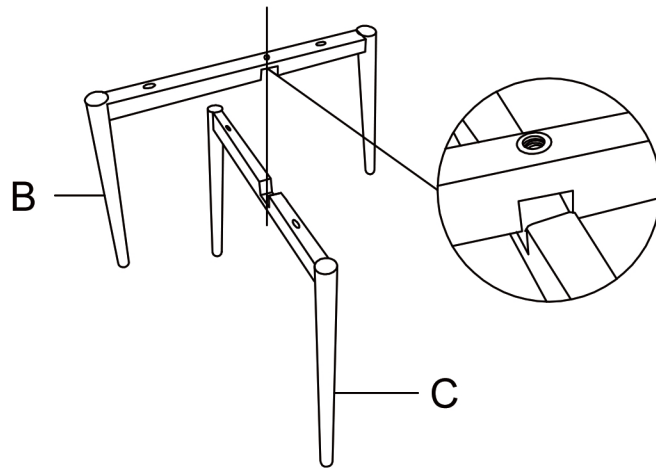


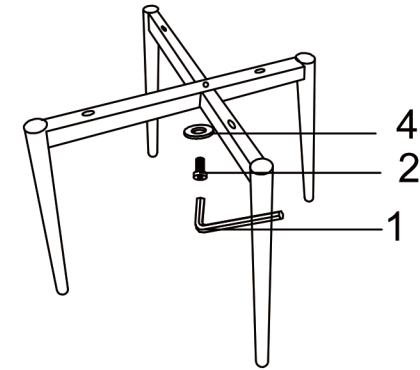
ASSEMBLY INSTRUCTION

STEP1



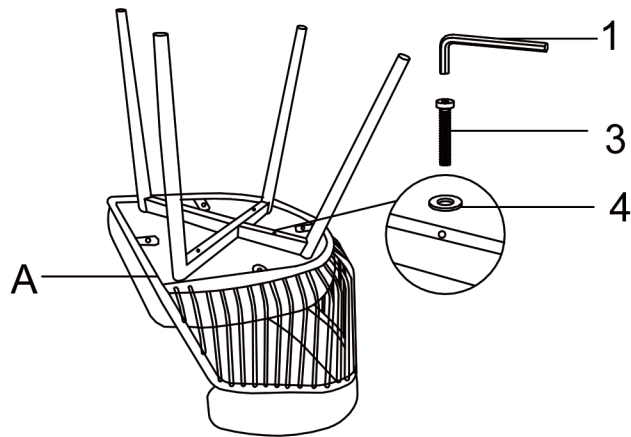
STEP2

Pls tighten the screws "2" by 1/3.
Do not tighten it completely.



STEP3

Pls tighten the screws "3" by 100%,
Then tighten all screws



STEP4

Notice: If needed, use adjustable foot pads to level chair.

