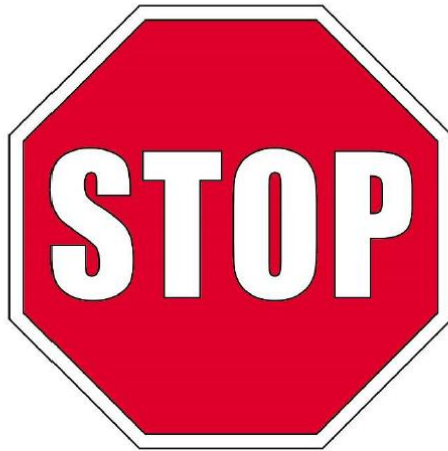


## Assembly Instructions



- Renewable resource – Bamboo has the Fastest Growing Cycle of any furniture raw material – 5 years sprout to harvest.
- Bamboo also has superior structural strength as well as the lowest moisture expansion/contraction displacement of any furniture raw material 50% lower than Oak or Pine
- Environmentally desirable UV activated finish – virtually 100% of the finish is utilized without spray or runoff waste and it dries instantly when exposed to UV Light without heat.

**Before Assembly – Please place all parts onto a clean dry and soft surface to avoid damage during the assembly of your furniture.**

Ax8



Short screws for shelves

Bx16



Long screws for trays

Cx12



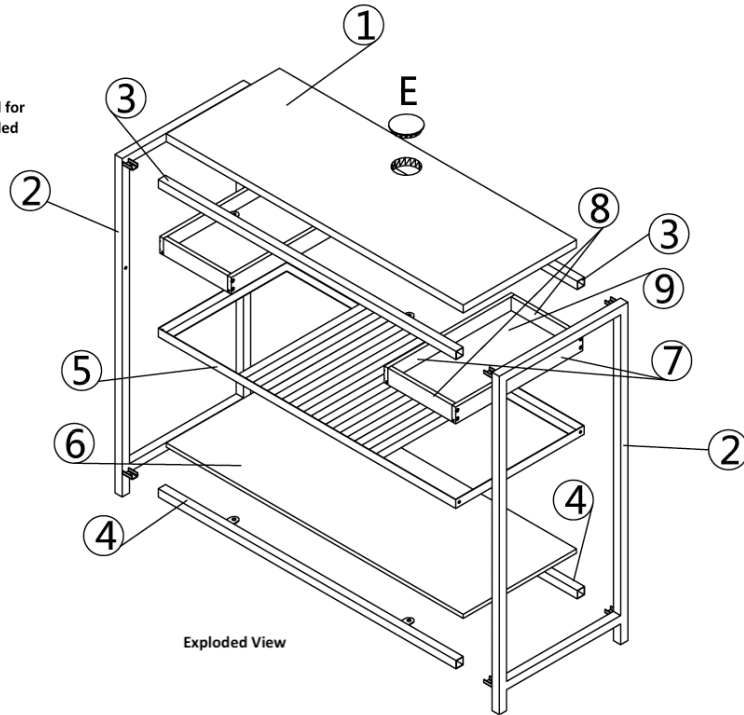
Dx1



Ex1

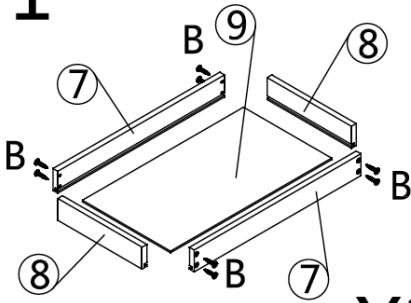


Please note: A Phillips screwdriver will be required for assembly, this is not provided



Exploded View

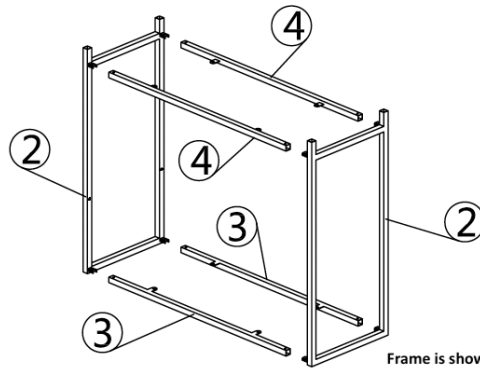
1



Removable Bamboo Trays

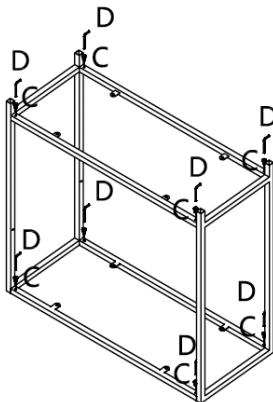
X2

2



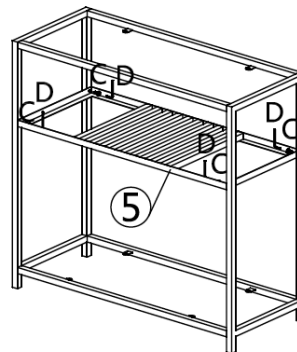
Frame is shown upside down

3



Use bolts C to attach the cross stretches to both side frames — Please NOTE: Do not completely tighten any bolt until the entire frame including part #5 is in place with all bolts partially inserted

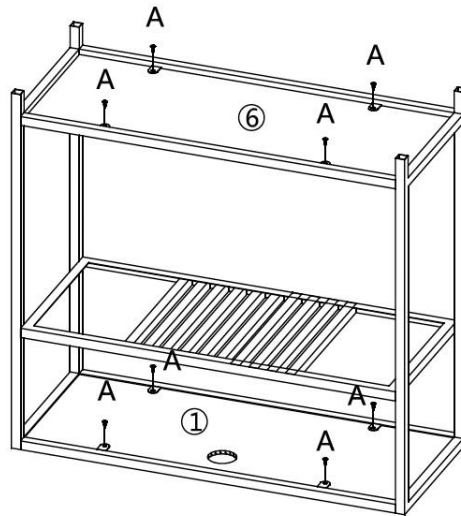
4



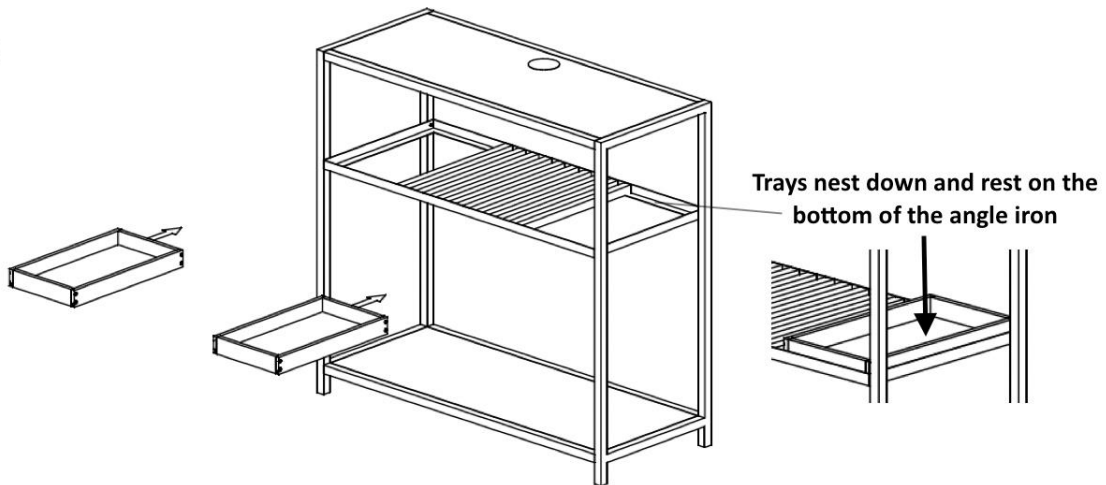
Part 5 has a top and a bottom — please orient it so you can see the inside of the angle iron as the table is standing upright as shown. The angle iron will catch and support the removable bamboo trays

The trays nest within the walls of the angle iron as shown in figure 6

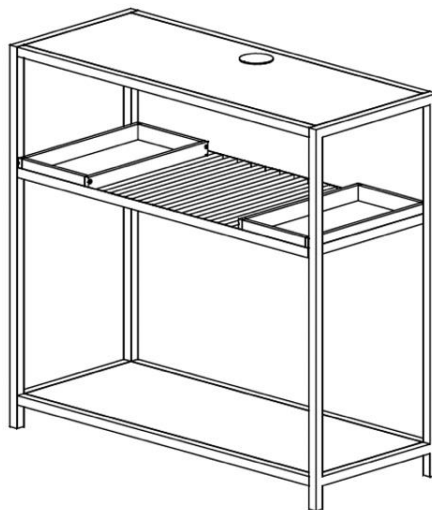
5



6



7



To use the wireless charging device, simply plug the USB cord into the AC adapter and then plug the adapter into any 110V outlet. A high pitched alert should sound when the unit is first plugged in.

Remove any metal or magnetic case material from your phone, some heavy duty cases and plates for magnetized holders will obstruct the charging field.

Almost all phones and tablets with wireless charging built in will work with the charger.

Simply move the phone (or other device) over the charging disc platform until you hear another high pitched alert. This alert signals that the phone is charging and you should be able to see this confirmed on your phone's display