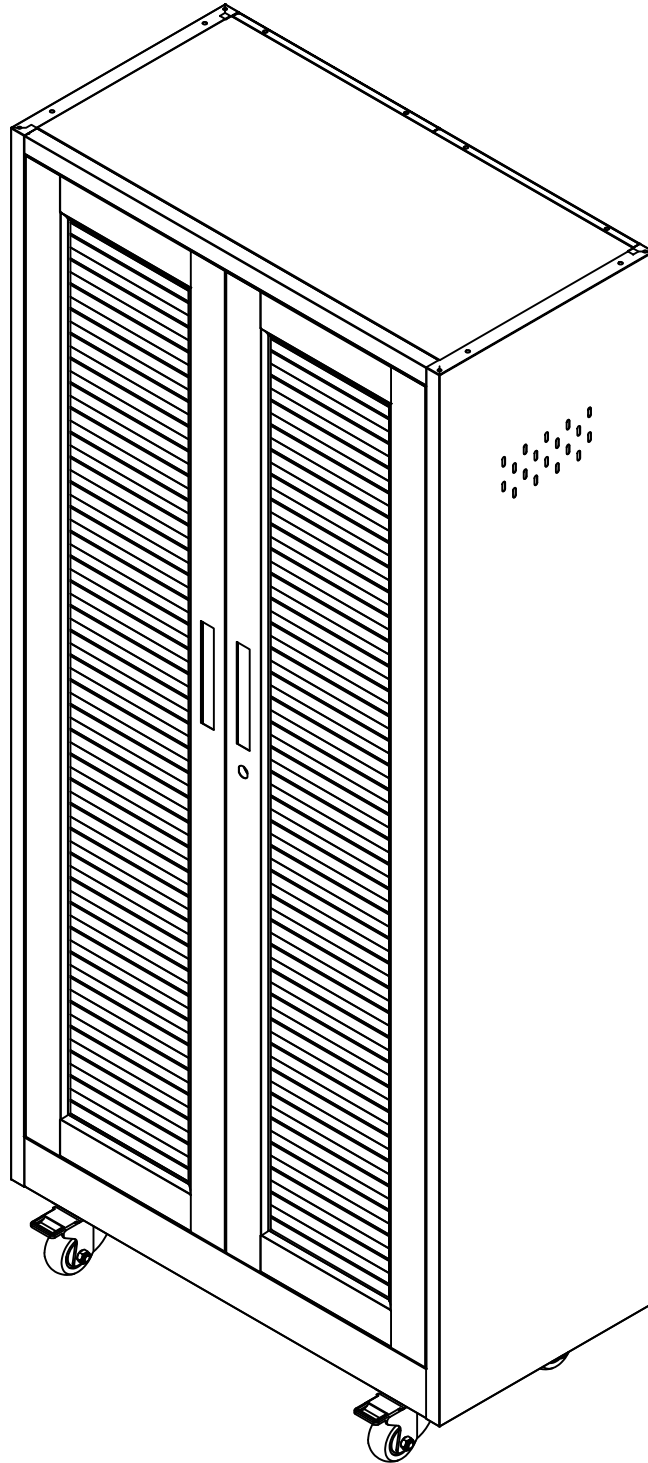
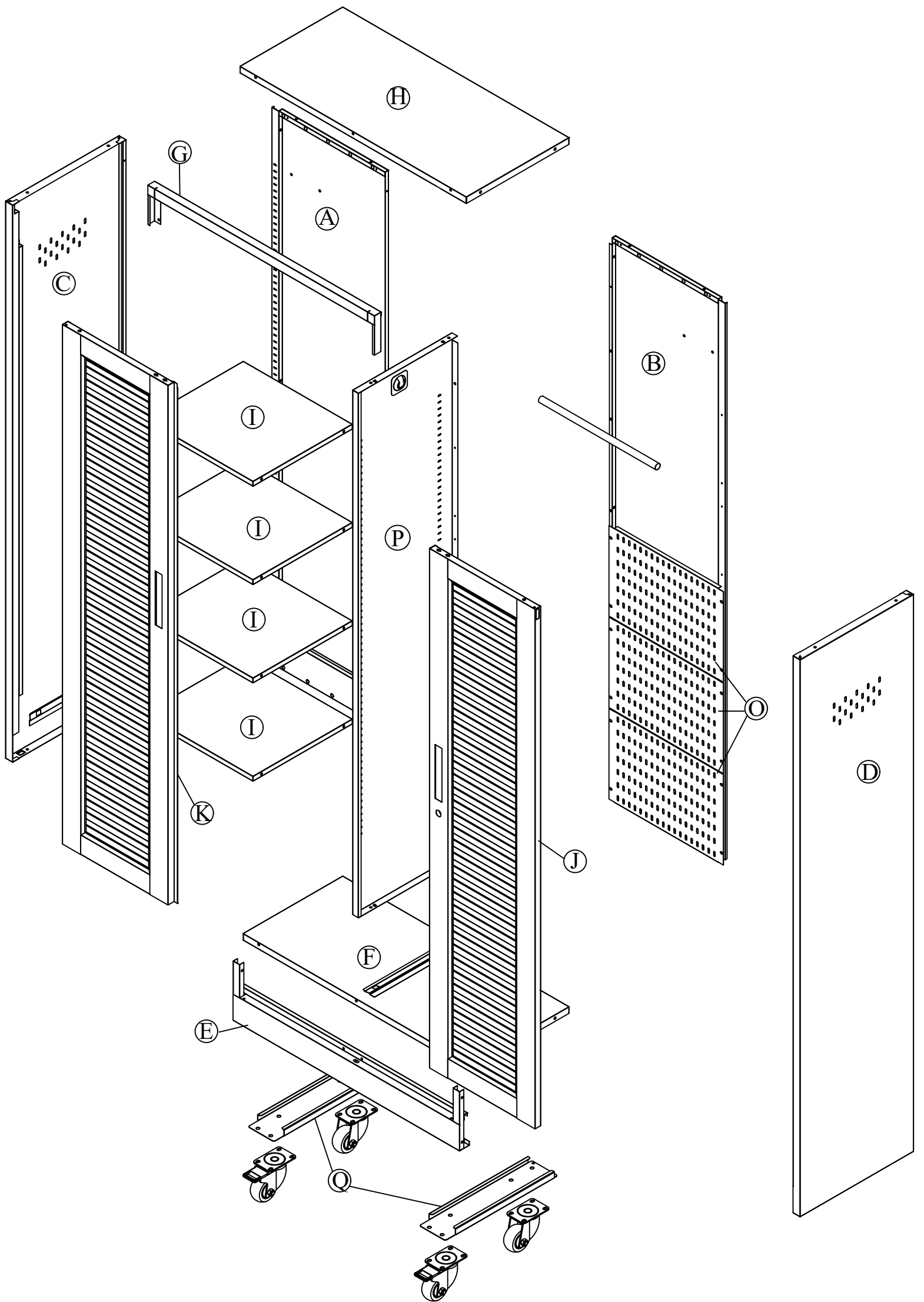

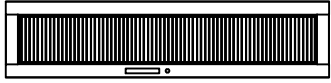

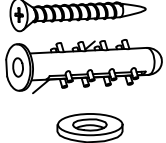
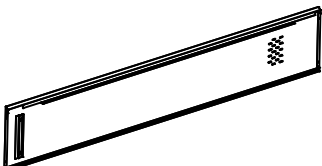

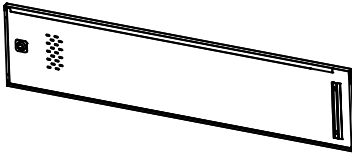
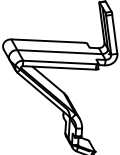
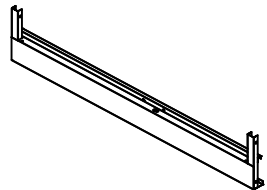
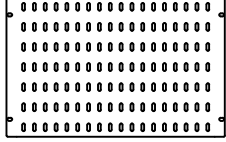
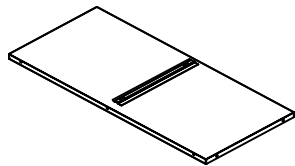

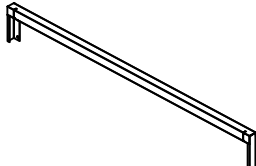
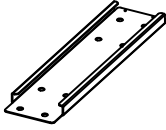
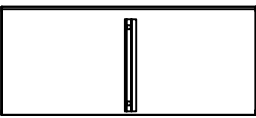

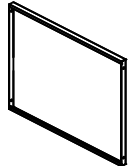





Assembly Instructions

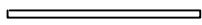
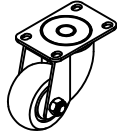
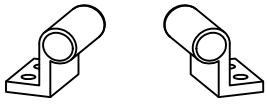
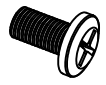
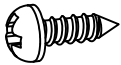
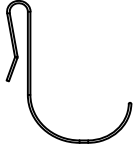
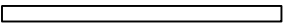

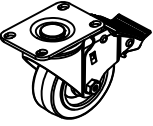
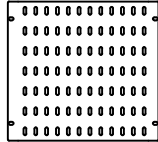
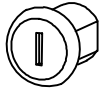







Accessories

Name		Picture	QTY	Name		Picture	QTY
A	Left Back Panel		1	K	Left Door		1
B	Right Back Panel		1	L	Expansion Screw		2
C	Left Side Panel		1	M	13/32 " Screw		53
D	Right Side Panel		1	N	Shelf Clasp		16
E	Kick Plate		1	O	Pegboard		3
F	Bottom Panel		1	P	Middle Plate		1
G	Top Rail		1	Q	Base		2
H	Top Panel		1	R	Door Pivot Pin		2
I	Shelf		4	S	Shim		4
J	Right Door		1	T	Magnet		4

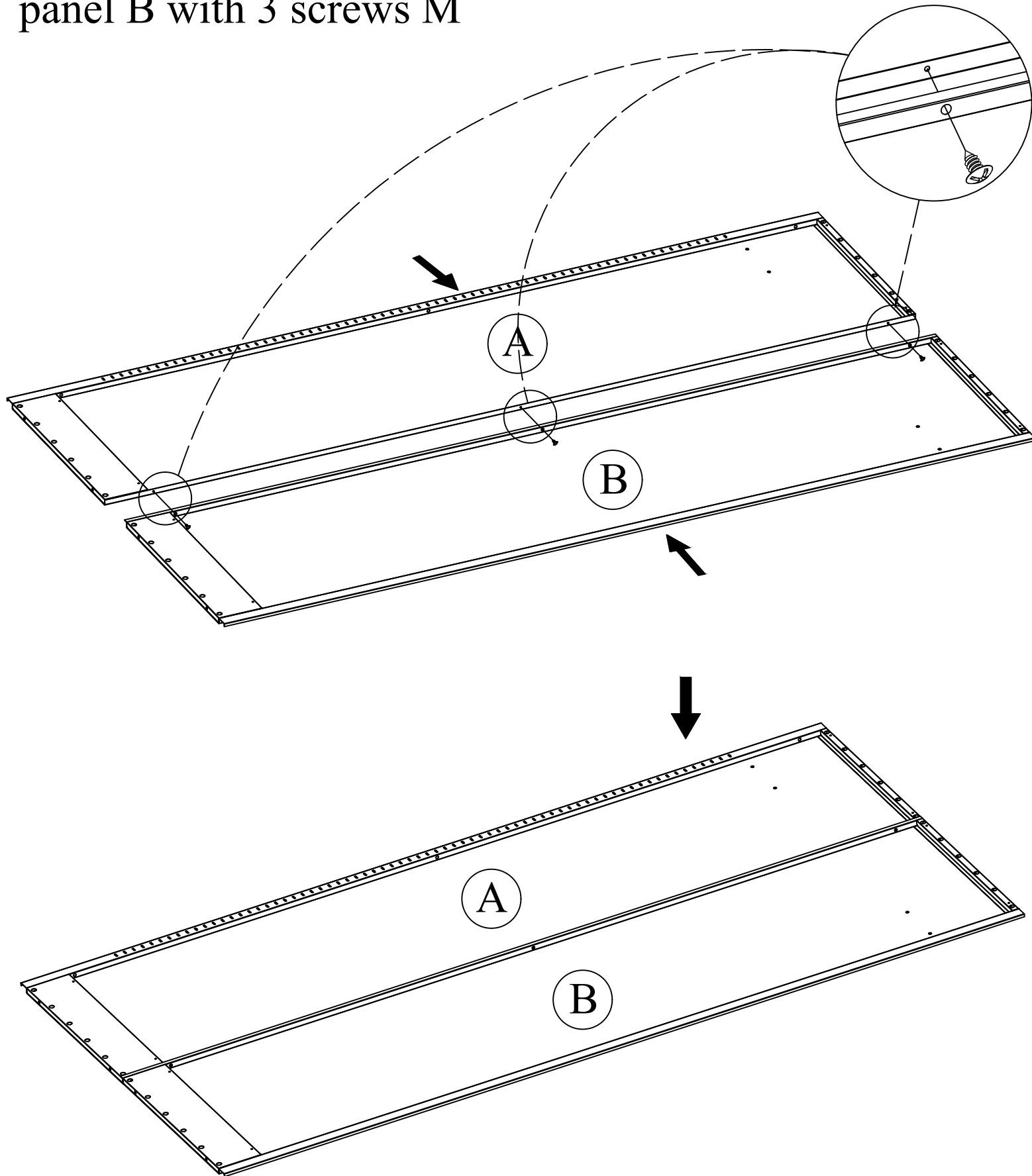
Accessories

Name		Picture	QTY	Name		Picture	QTY
U	Towel Rail		2	Y-2	Rear Wheel		2
V	Pedestal		2	Z	M6 * 12 Screw		16
W	M3 * 8 Screw		8	AA	Hook		10
X	Hanging Rod		1	BB	Peg		3
Y-1	Front Wheel		2	CC	Pegboard		2
Lock			Already pre-installed on the right door J				
Key			Already attached on right door J				
Spring Shaft			Already pre-installed on the doors				
<div style="border: 1px solid black; padding: 10px; margin: 10px auto; width: fit-content;">  CAUTION An assistant is required </div>				<p>CUSTOMER FIRST, SERVICE FOREMOST! Questions? Issues? CONTACT US REPLY WITHIN 24 HOURS IN BUSINESS DAYS</p>			

Step 1

Ⓜ  × 3

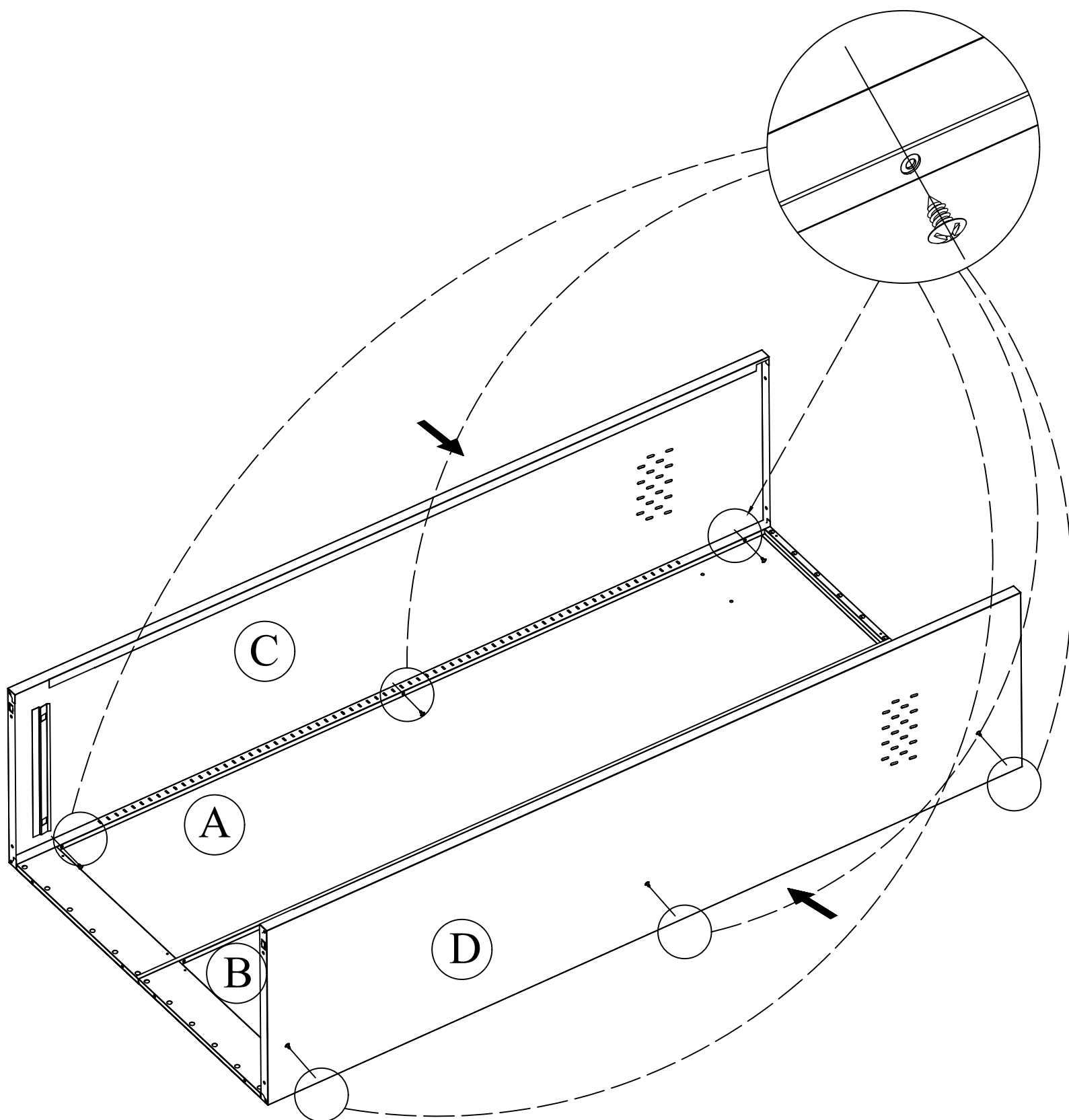
Connect left back panel A and right back panel B with 3 screws M



Step 2

(M)  × 6

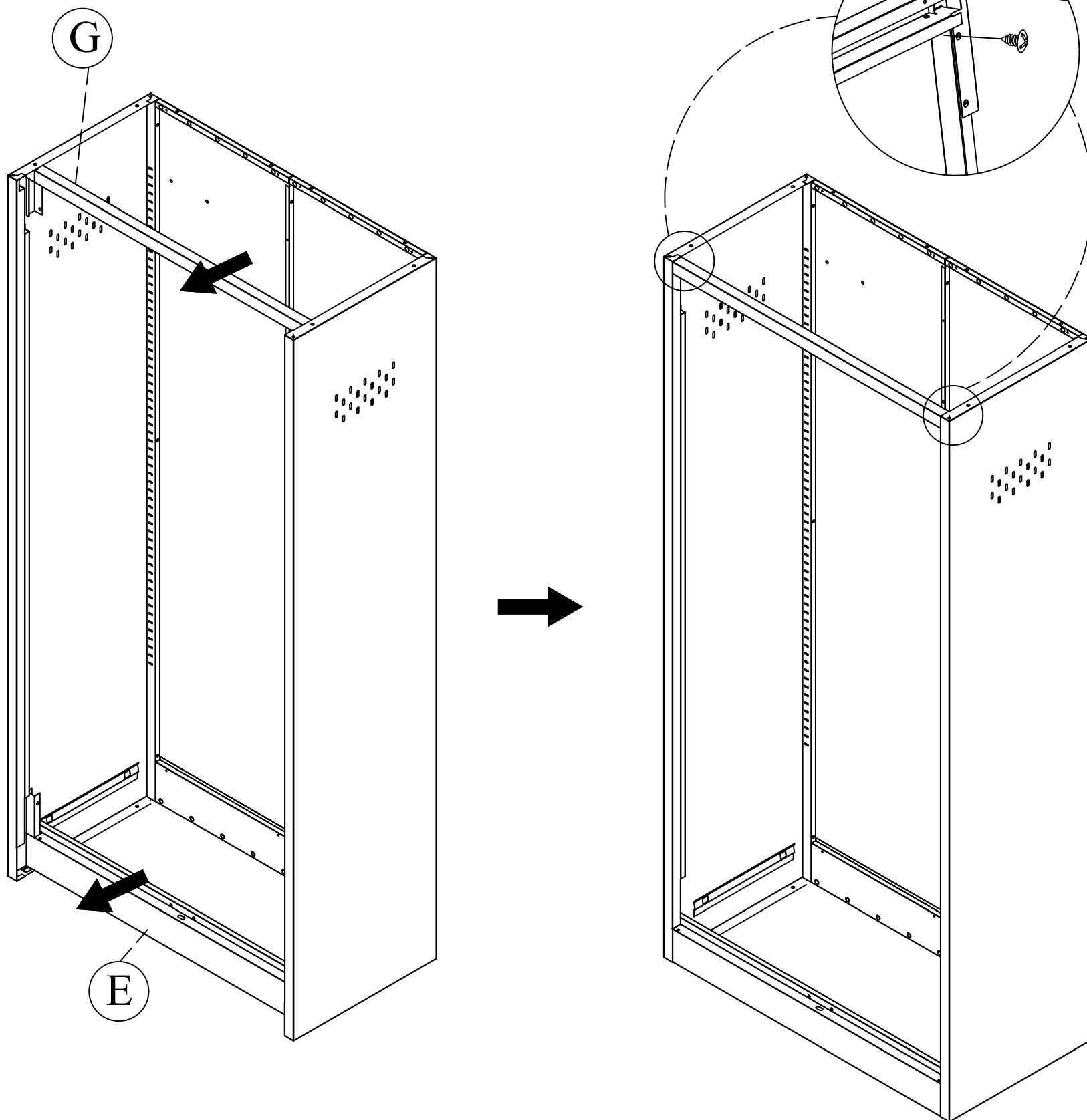
Connect left side panel C and right side panel D
with back panels by 6 screws M



Step 3

(M)  × 4

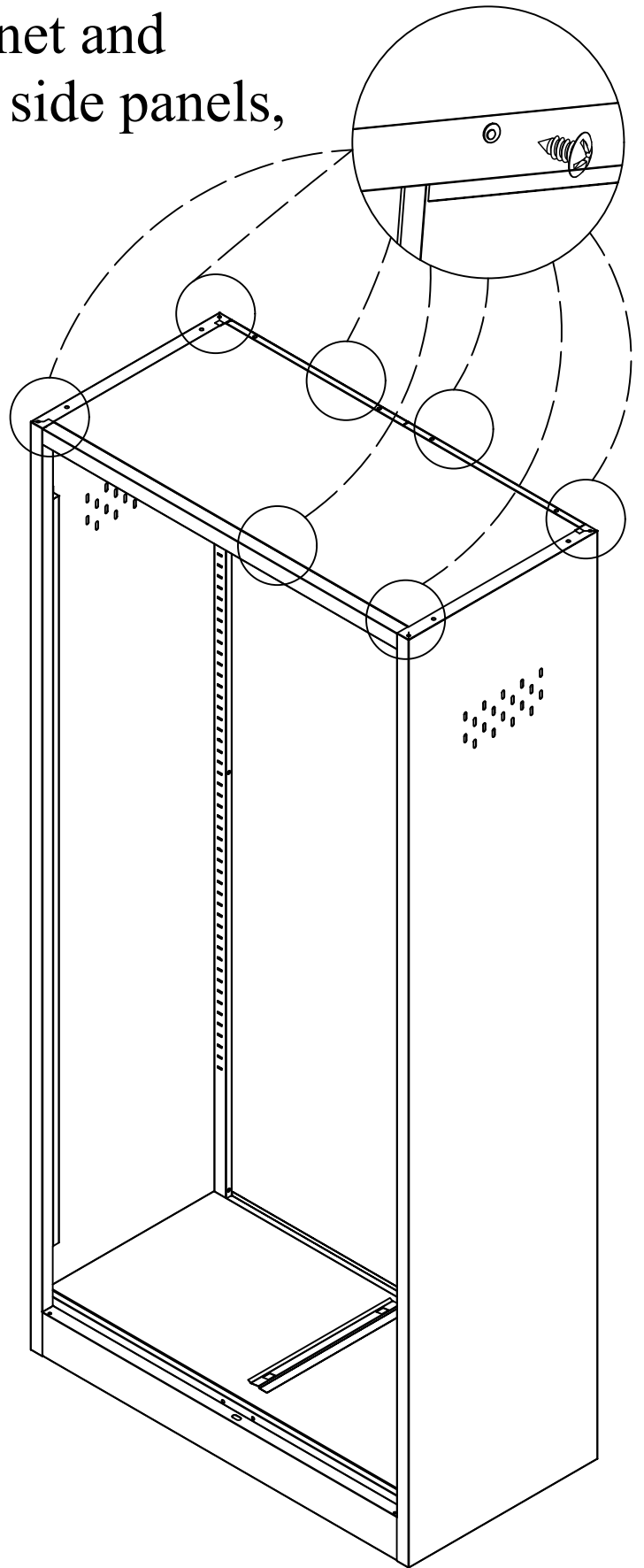
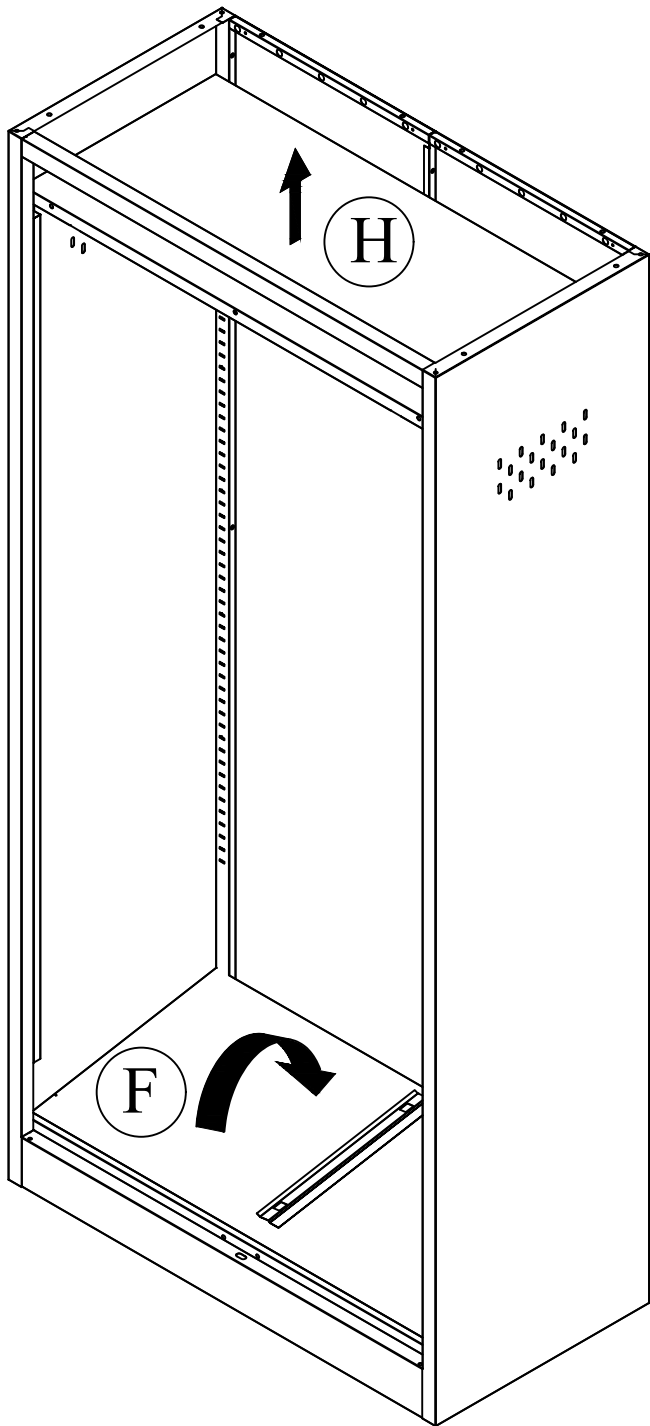
Insert the top rail G into the cabinet and push it forward (Ensure that the side panels are included into the slots of top rail), then fix them with 4 screws M
Insert kick plate E into the cabinet and push it forward to snugly fit it with side panels



Step 4

(M)  × 7

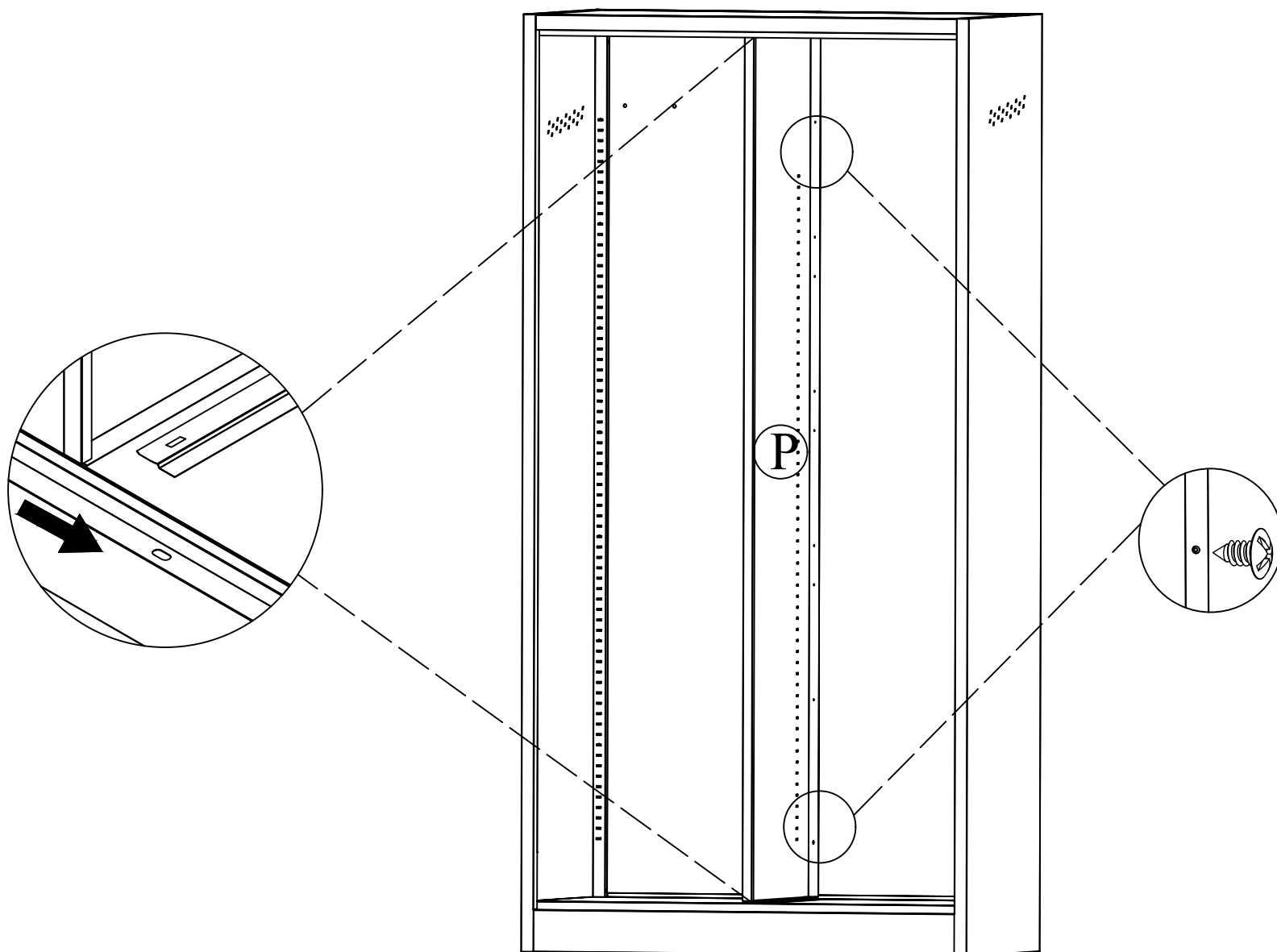
Tilt the front of bottom panel F into the cabinet,
then press the back of bottom panel down
Insert the top panel H into the cabinet and
push it upward to snugly fit it with side panels,
then fix them with 7 screws M



Step 5

Insert the bottom of middle plate P into the brackets on top and bottom panels, then fix it with right back panel B by 2 screws M

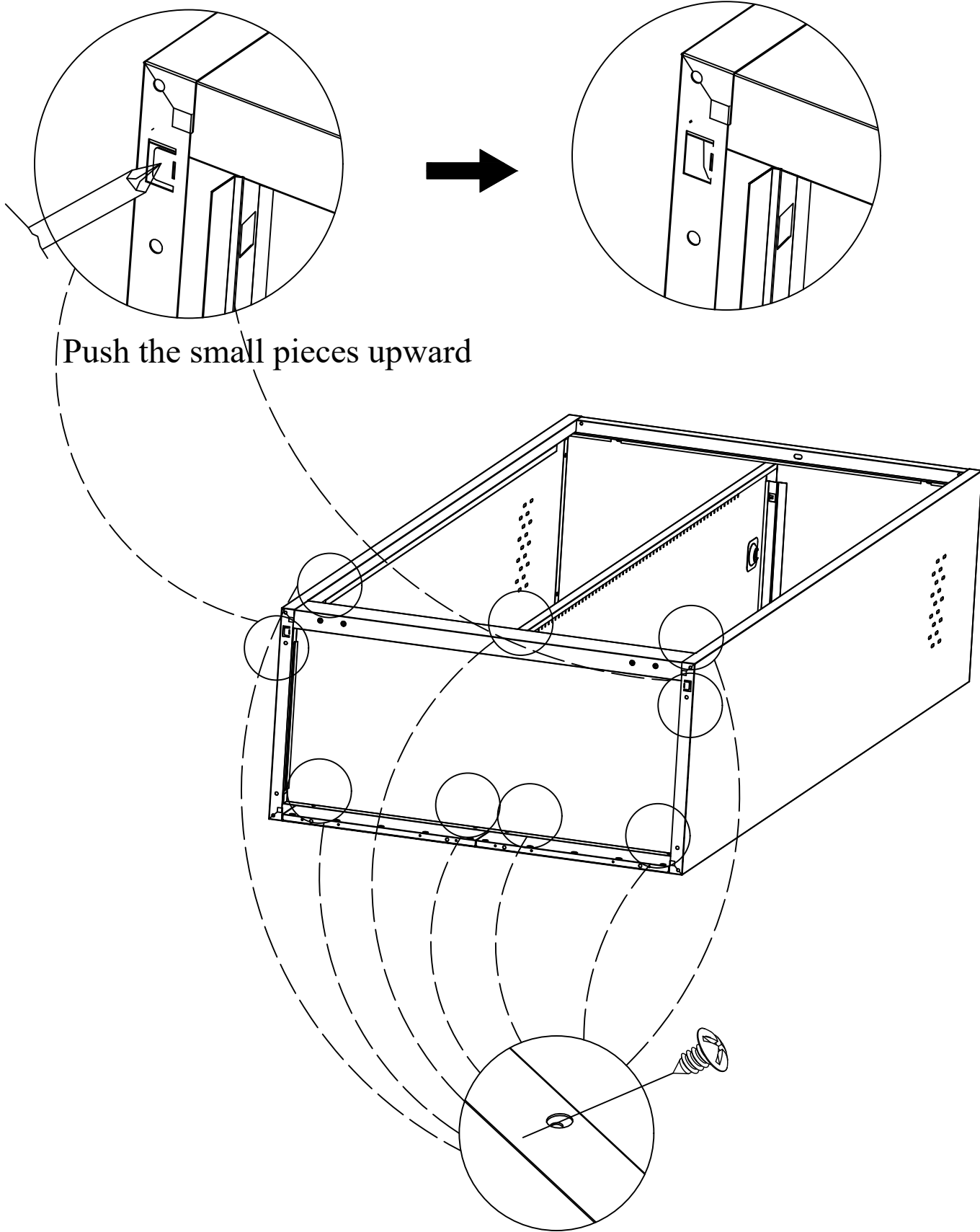
Ⓜ  × 2



Step 6

Put the cabinet down and fix the bottom panel with other parts by 7 screws M

Ⓜ  × 7




Step 7

Fix 2 bases Q at the bottom of cabinet with 4 screws M

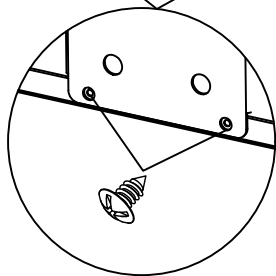
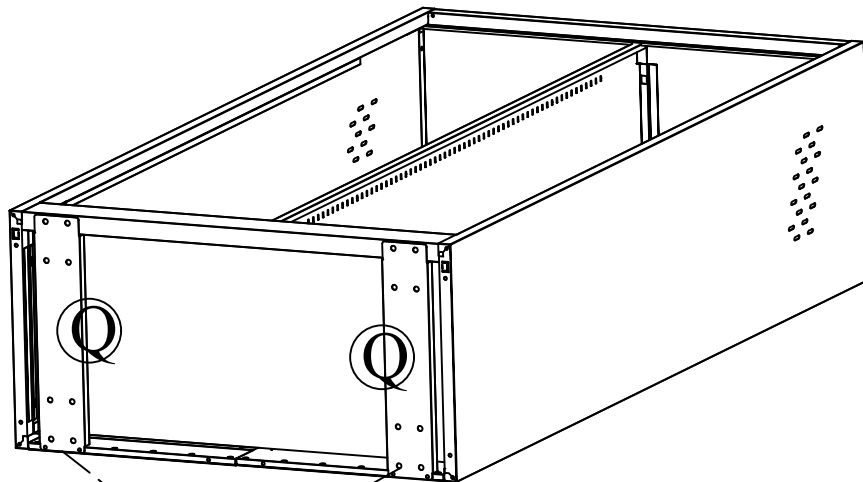
Install 2 wheels Y-1 and 2 wheels Y-2 and fix them with 16 screws Z

(M)  × 4

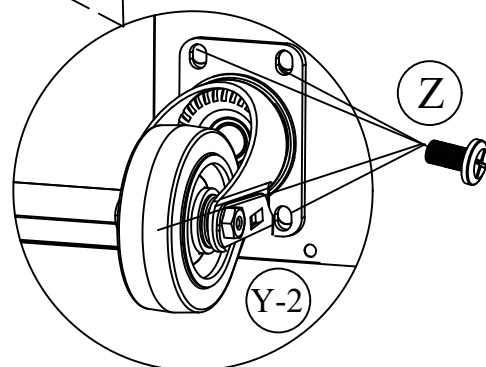
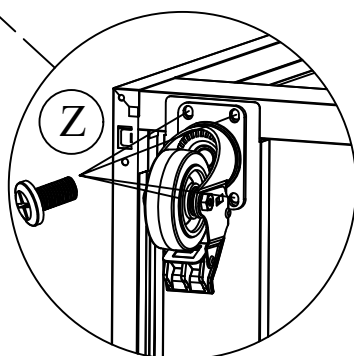
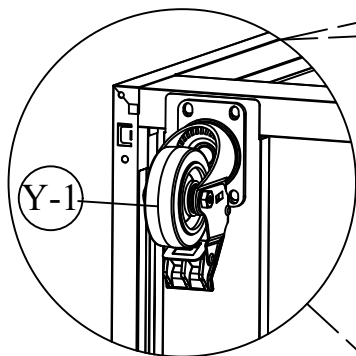
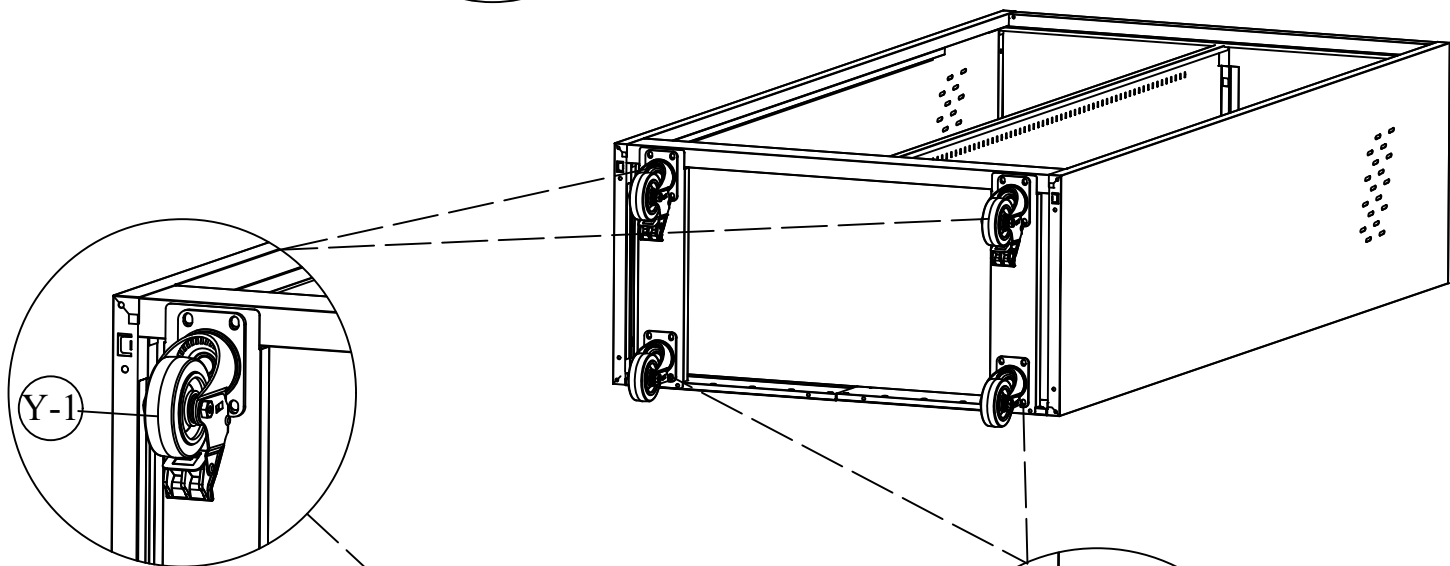
(Y-1)  × 2

(Y-2)  × 2

(Z)  × 16



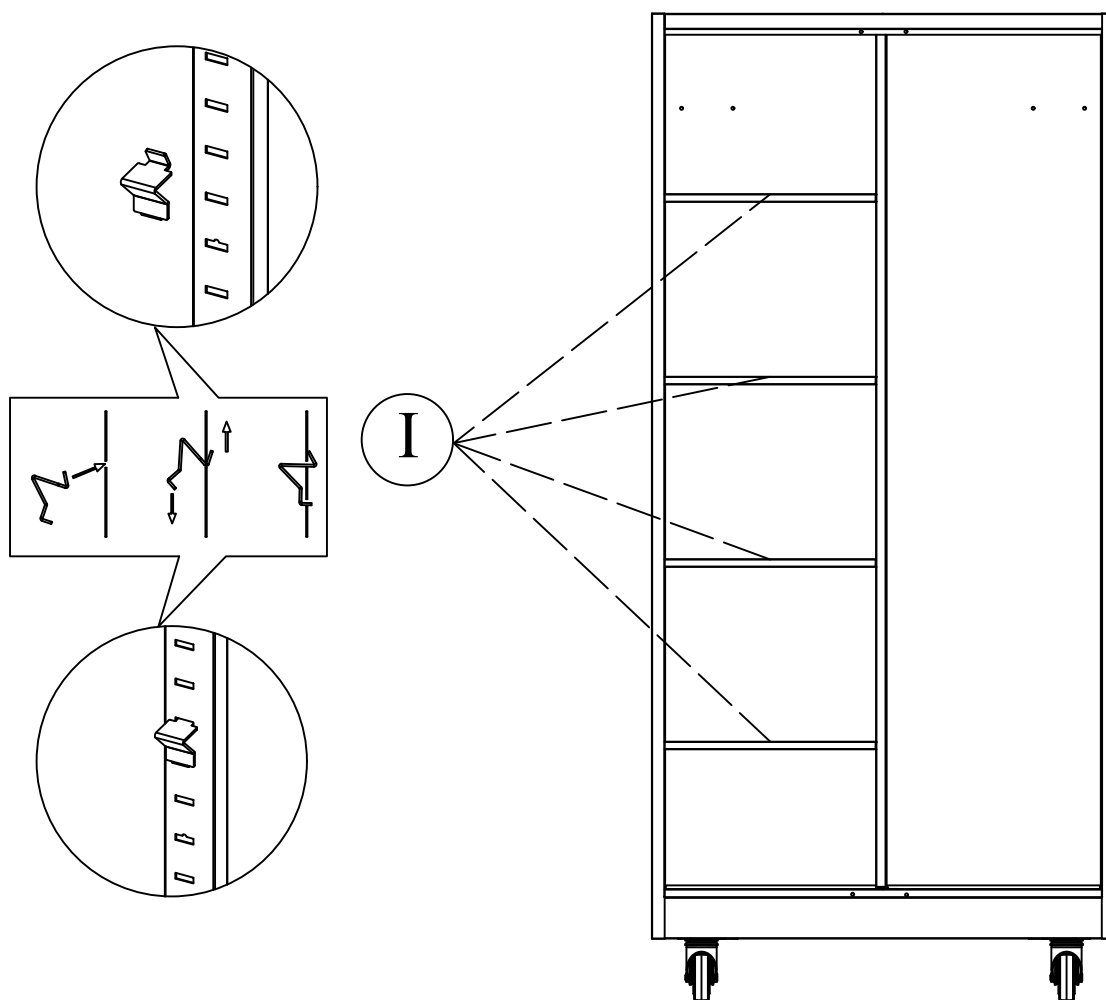
Please lock two wheels to keep the cabinet stable before the next step.



Step 8

Ⓝ  × 16

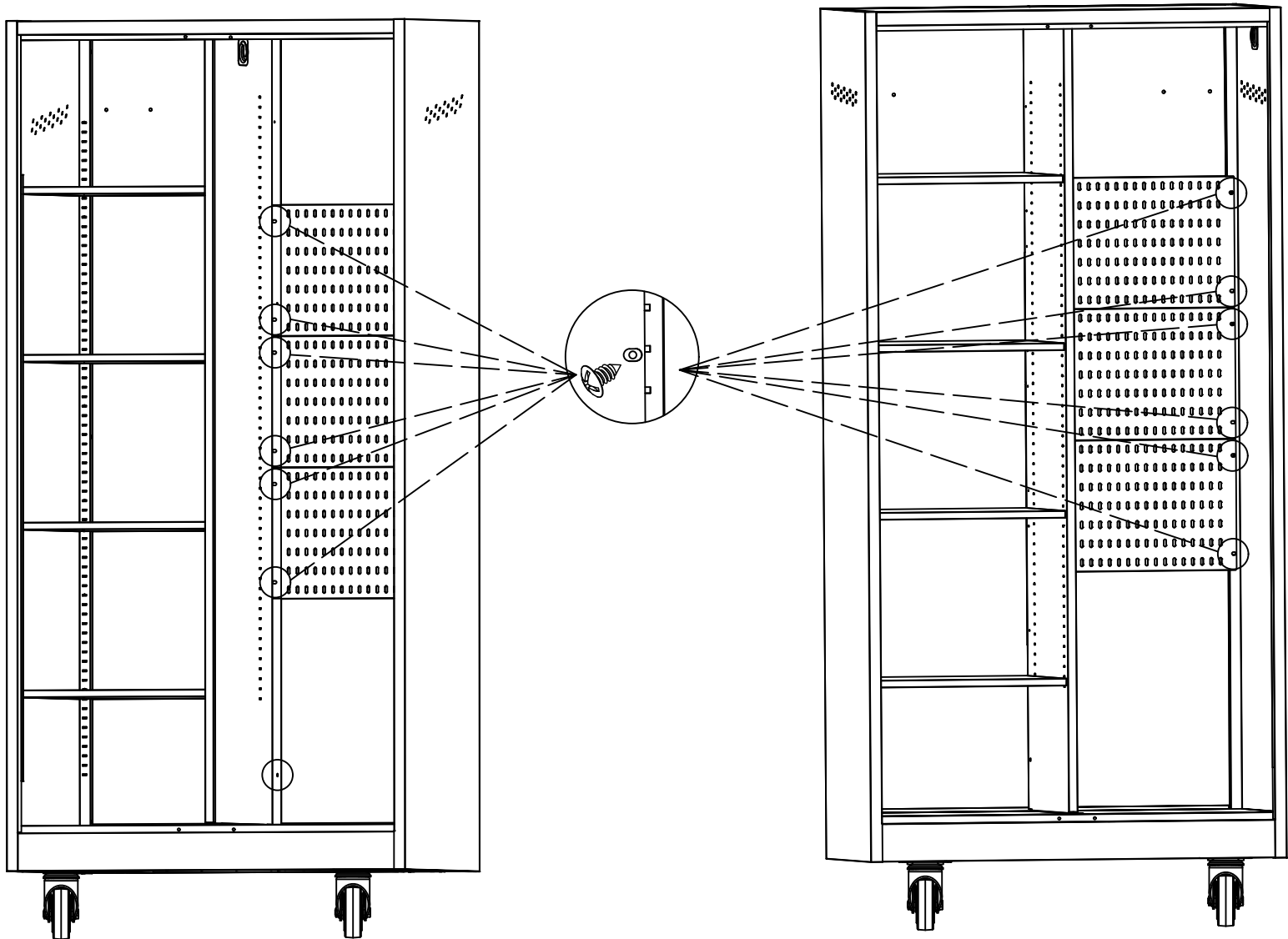
Install 16 shelf clasps N and put 4 shelves I on them (Ensure that the 4 clasps for 1 shelf are at the same level)



Step 9


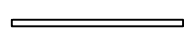


(M)  × 12

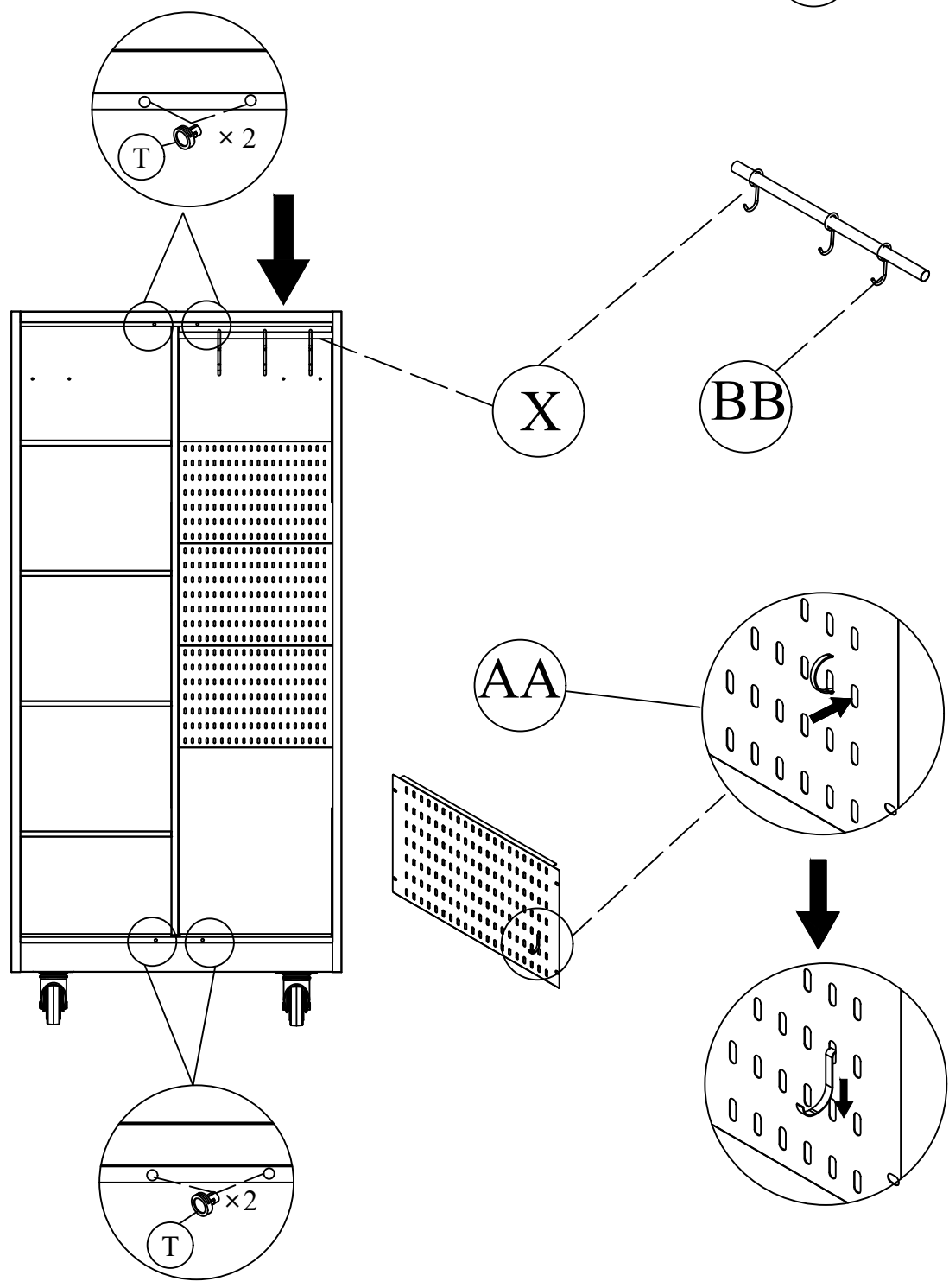
Fix 3 pegboards O with middle plate P and right side panel D by 12 screws M



Step 10

Hang the pegs BB on the hanging rod X
Install the hanging rod X on the top
Hang the hooks AA on the pegboards O
Install 4 magnets T on the round holes at the top and bottom



- ⓐ  × 6
- Ⓧ  × 1
- ⓑ  × 3
- Ⓣ  × 4




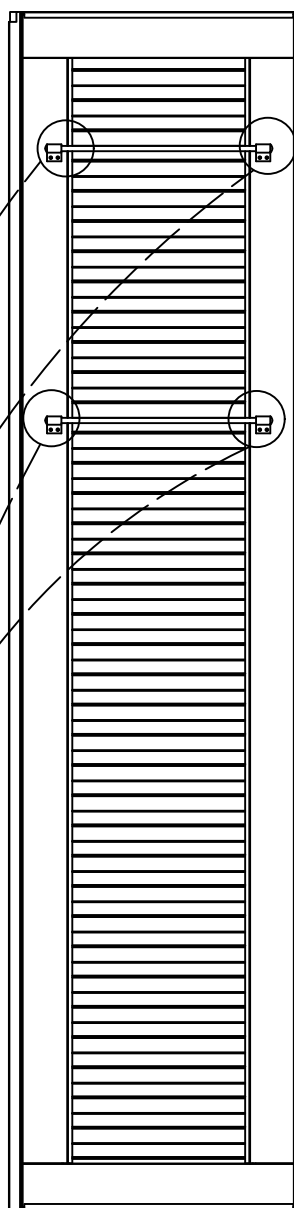
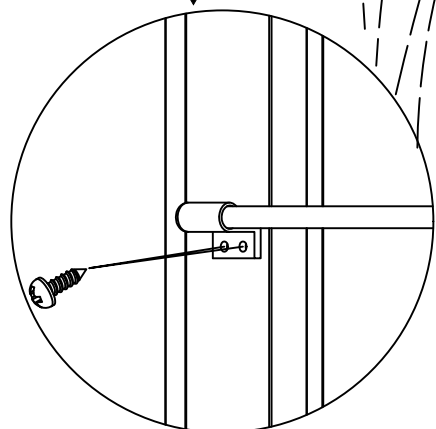
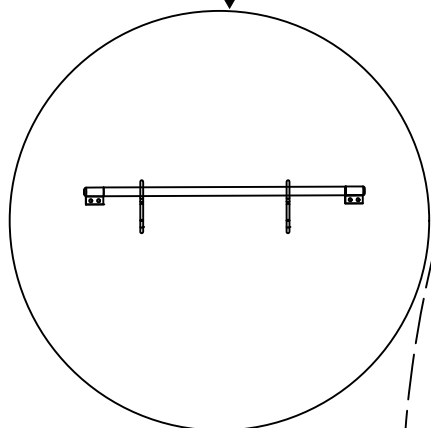
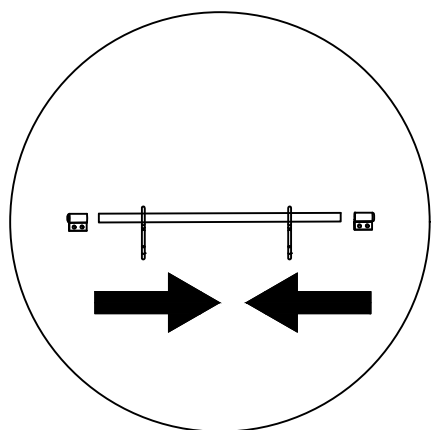
Step 11

Insert the both ends of towel rails U into the pedestals V, then fix 4 pedestals on the left door K with 8 screws W

U — × 2

V   × 2

W  × 8

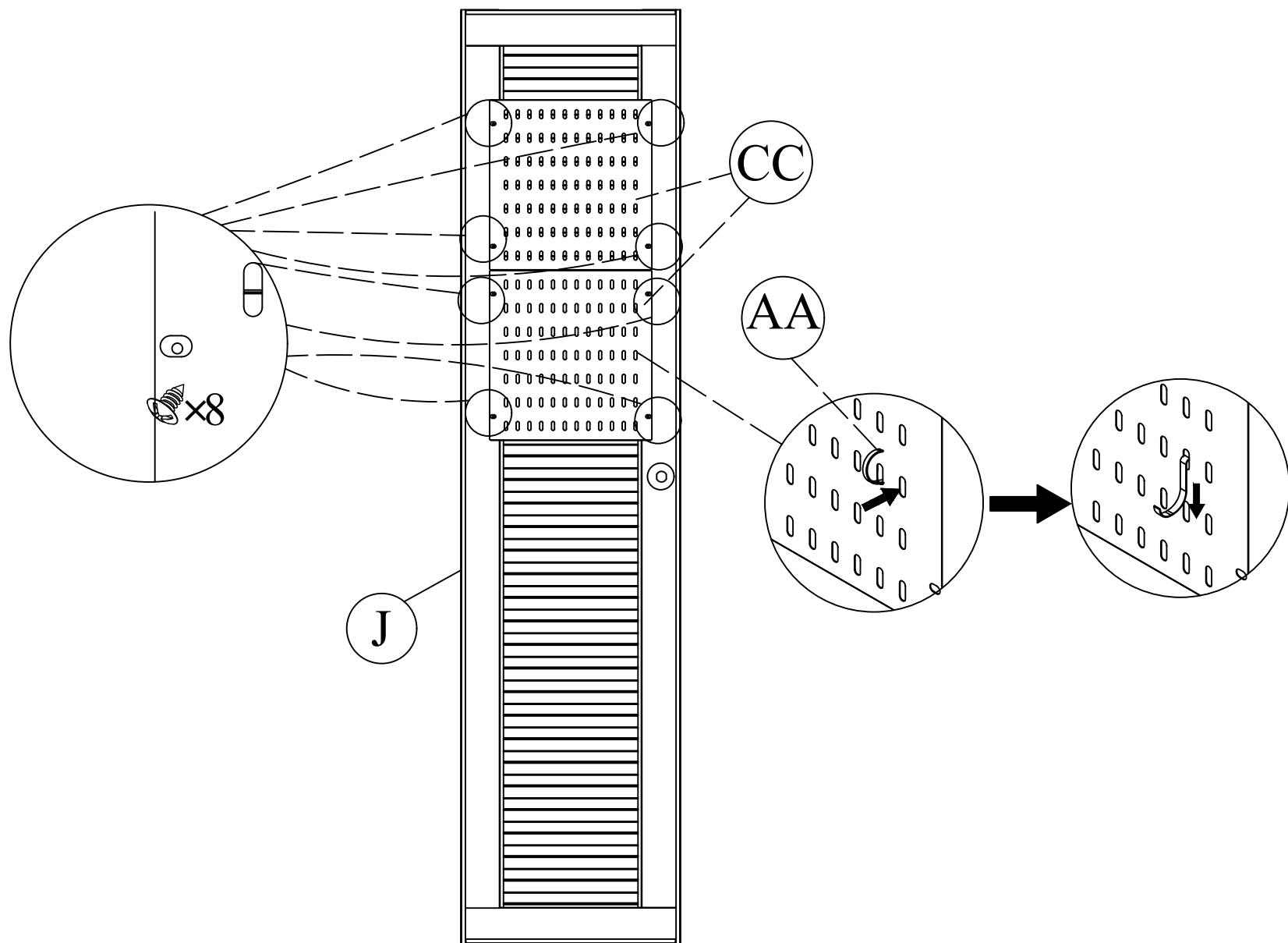
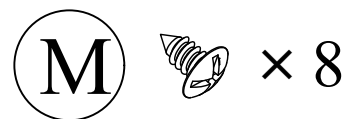


K

Step 12

Install 2 pegboards CC on the right door J with 8 screws M

Hang 4 hooks AA on the pegboards

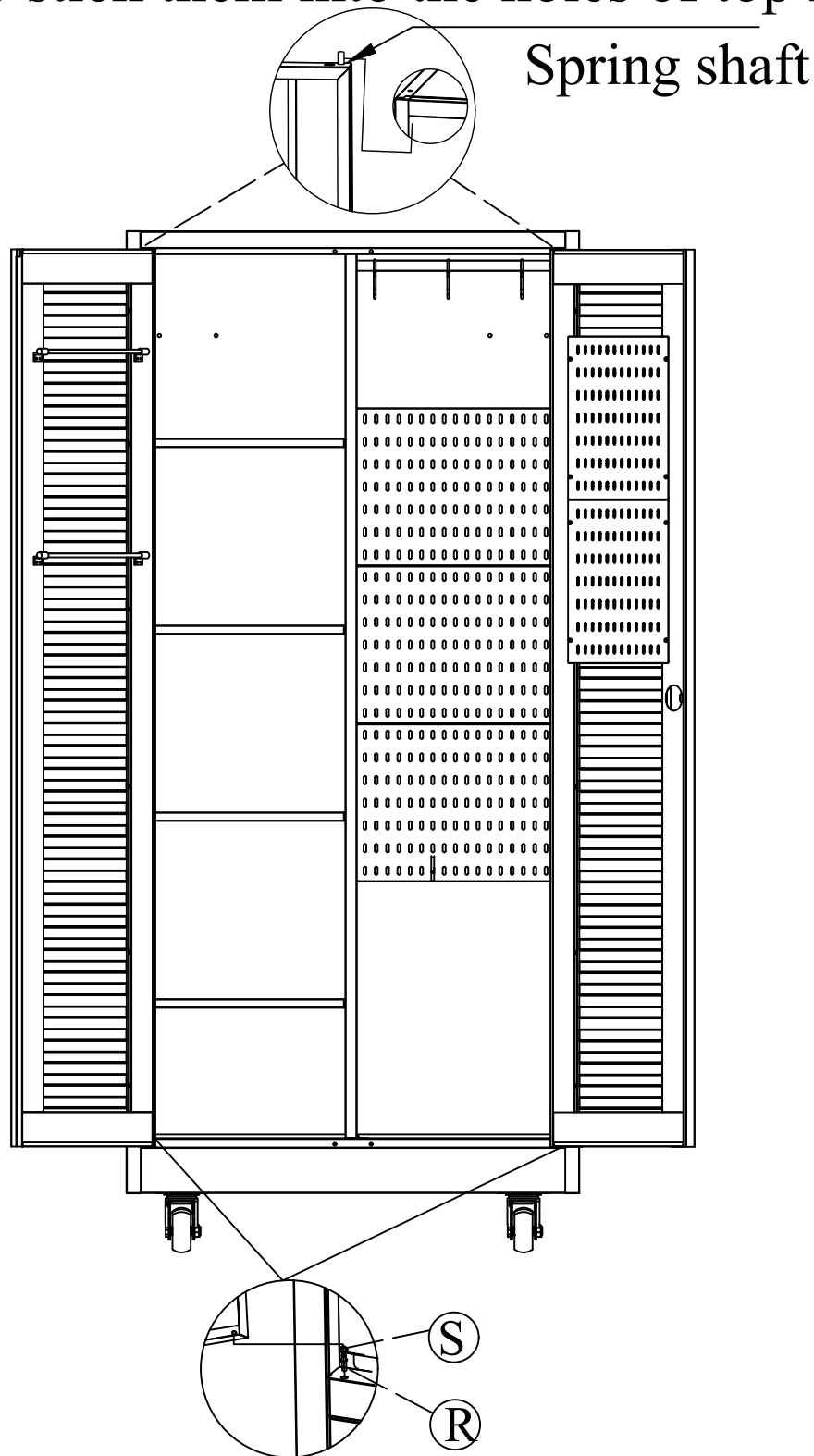


Step 13

Ⓡ × 2

Ⓢ × 4

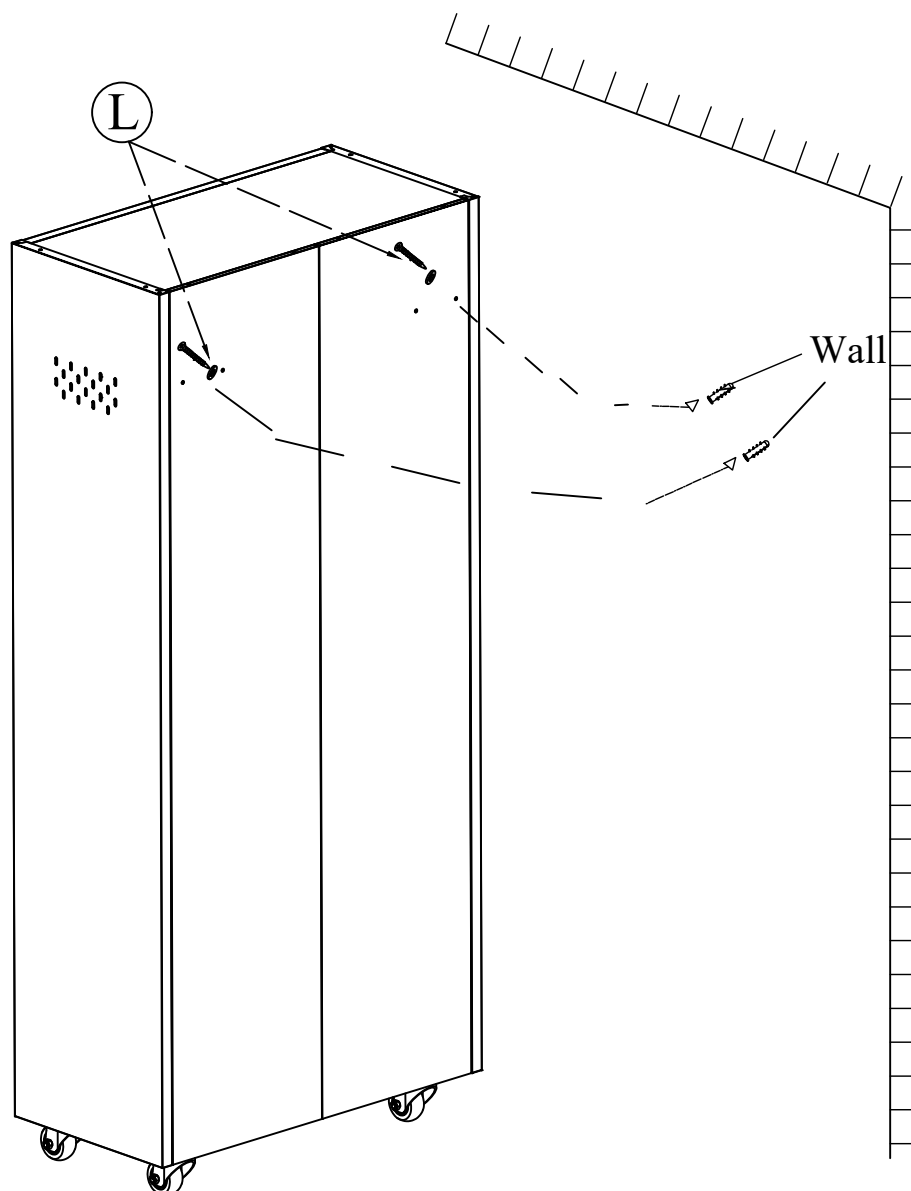
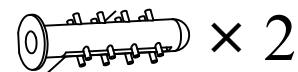
Insert the door pivots R into the holes on the both sides of kick plate E (shims S can be used to adjust), then insert the doors into the door pivots at the bottom, adjust the spring shafts at the top corners to stick them into the holes of top rail



Please remove the keys from the right door J and store them safely before proceeding with this step.

Step 14

Fix the cabinet on the wall with 2 expansion screws L to prevent tipping



DANGER



Always secure this furniture with an anchor device.

Unsecured furniture can cause serious injury or death to children.

Never allow children to stand, climb or hang on drawers, doors or shelves.

Never open more than one drawer or door at a time.

Place the heavy items on the lower position.

Never place a television on this furniture.

This is a permanent label. Do not remove!