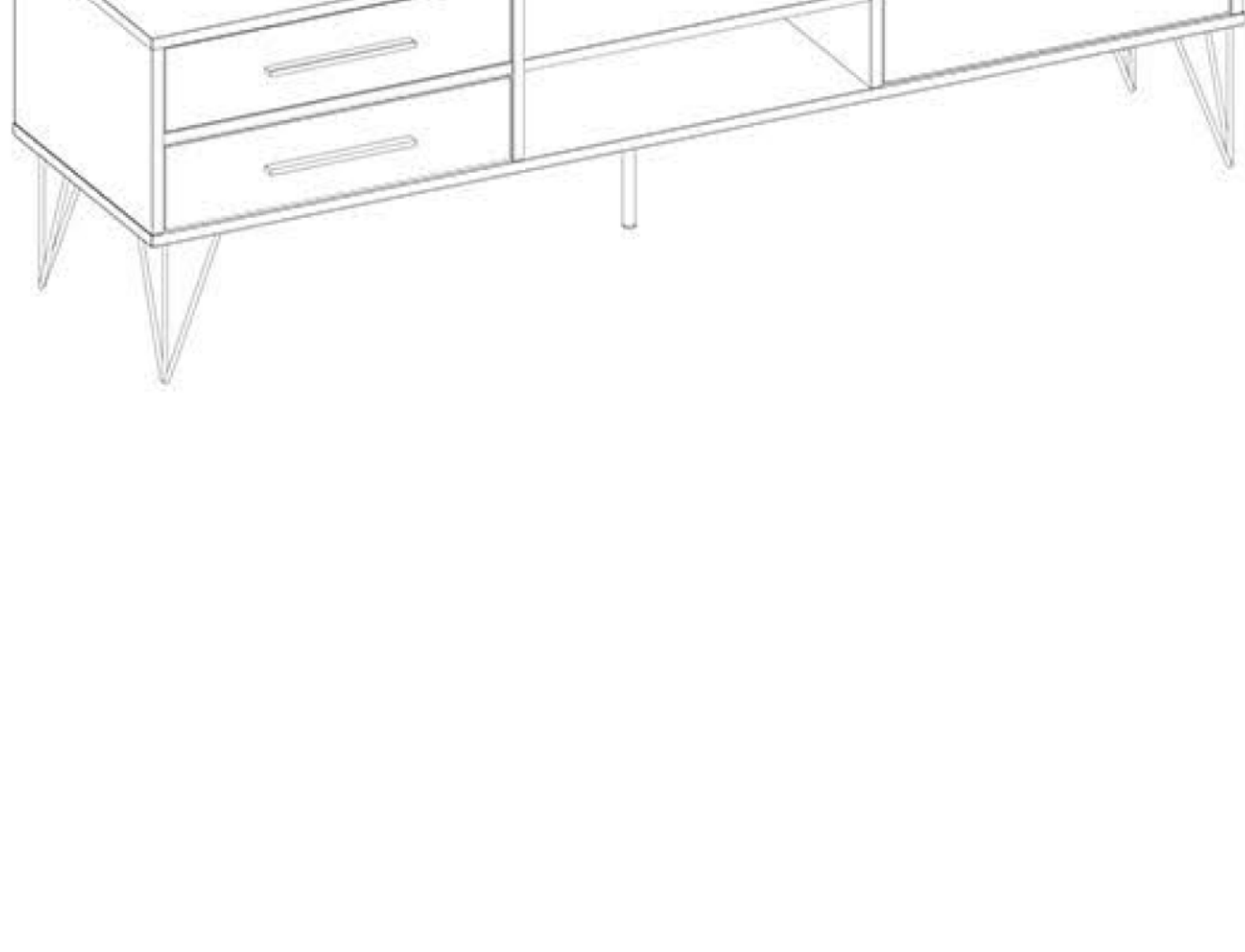


TV STAND



TV STAND



PARTS LIST

Sequence	Reference	Description	Width	Thickness	Quantity	QTD.
1	19510	Cover	59,06	14,96	0,59	1
2	19512	Left division	14,88	9,84	0,59	1
3	19514	Right division	14,88	9,84	0,59	1
4	19515	Central shelf	18,74	14,80	0,59	1
5	19516	View of the drawer	18,90	2,83	0,59	1
6	19517	Left side	14,88	9,84	0,59	1
7	19518	Right side	14,88	9,84	0,59	1
8	19519	Base	59,06	14,96	0,59	1
9	19520	Bottom	58,66	10,79	0,12	1
10	19521	Front of the drawer	18,66	4,37	0,59	2
11	19522	Side of the drawer	13,78	3,46	0,47	4
12	19523	Against bottom of the drawer	16,97	3,46	0,47	2
13	19524	Drawer bottom	17,83	13,98	0,12	2
14	19525	Door	9,61	18,66	0,59	1

Upper View

Front View



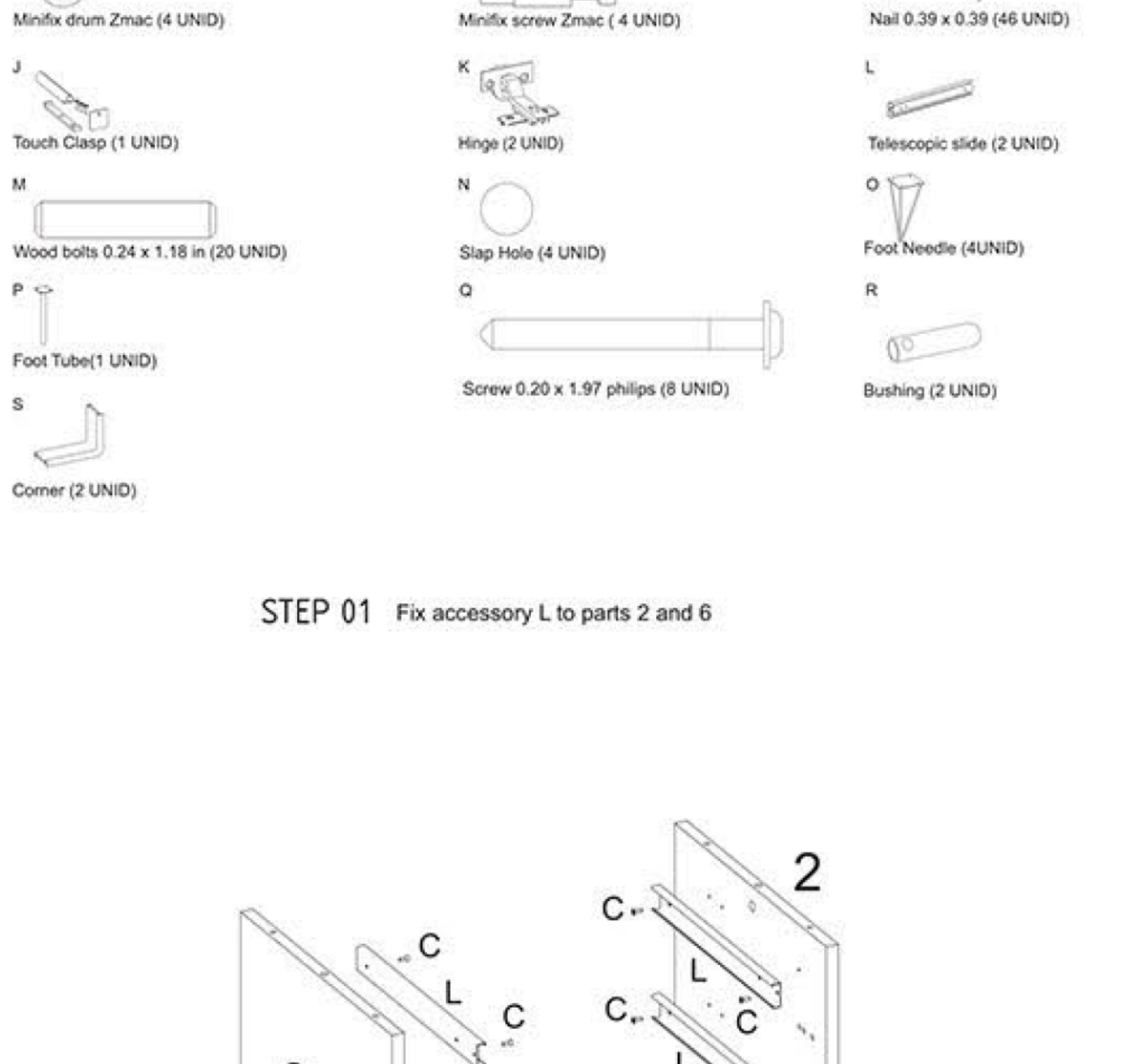
ASSEMBLY INSTRUCTION

Separate parts and accessories in way organized

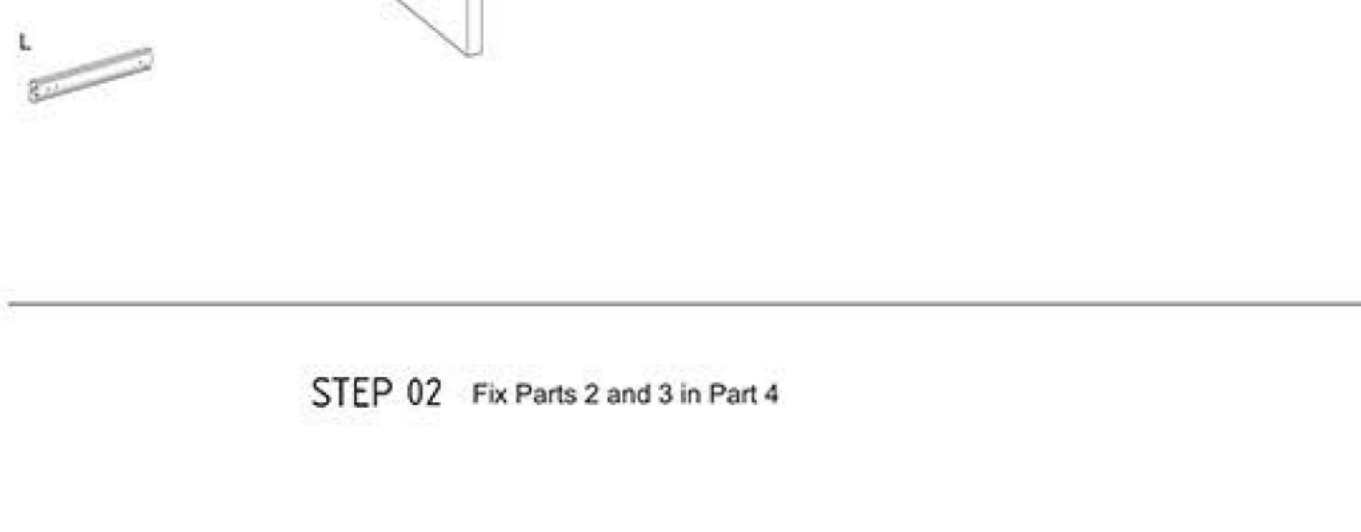
Cover the floor with the cardboard

It is necessary one person to assembly

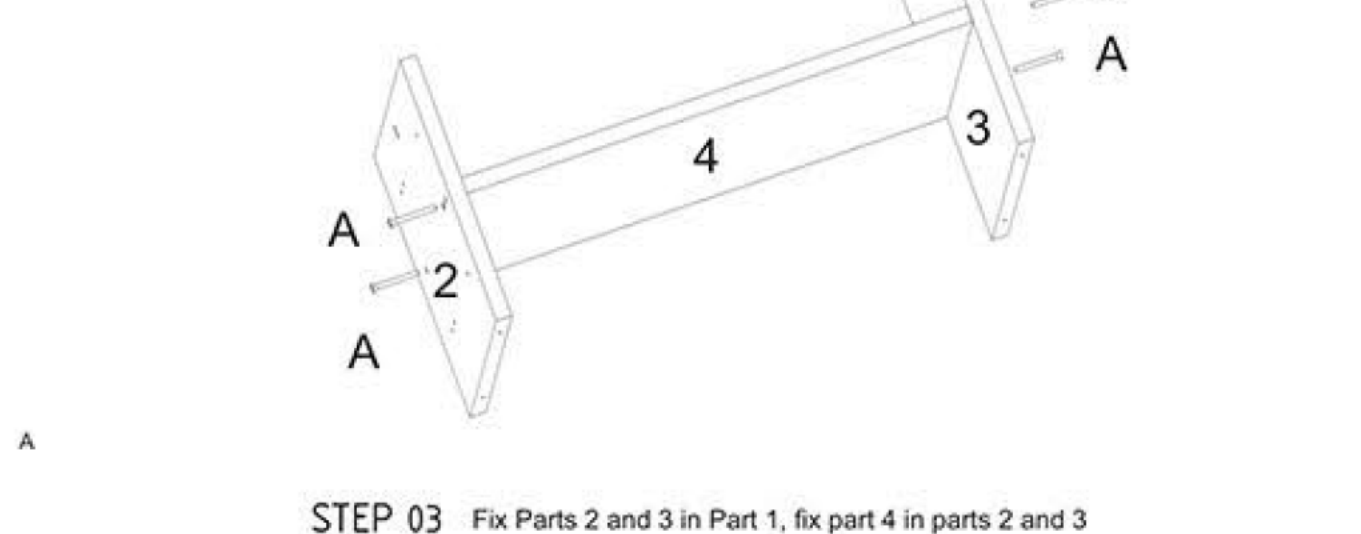
Not included tools



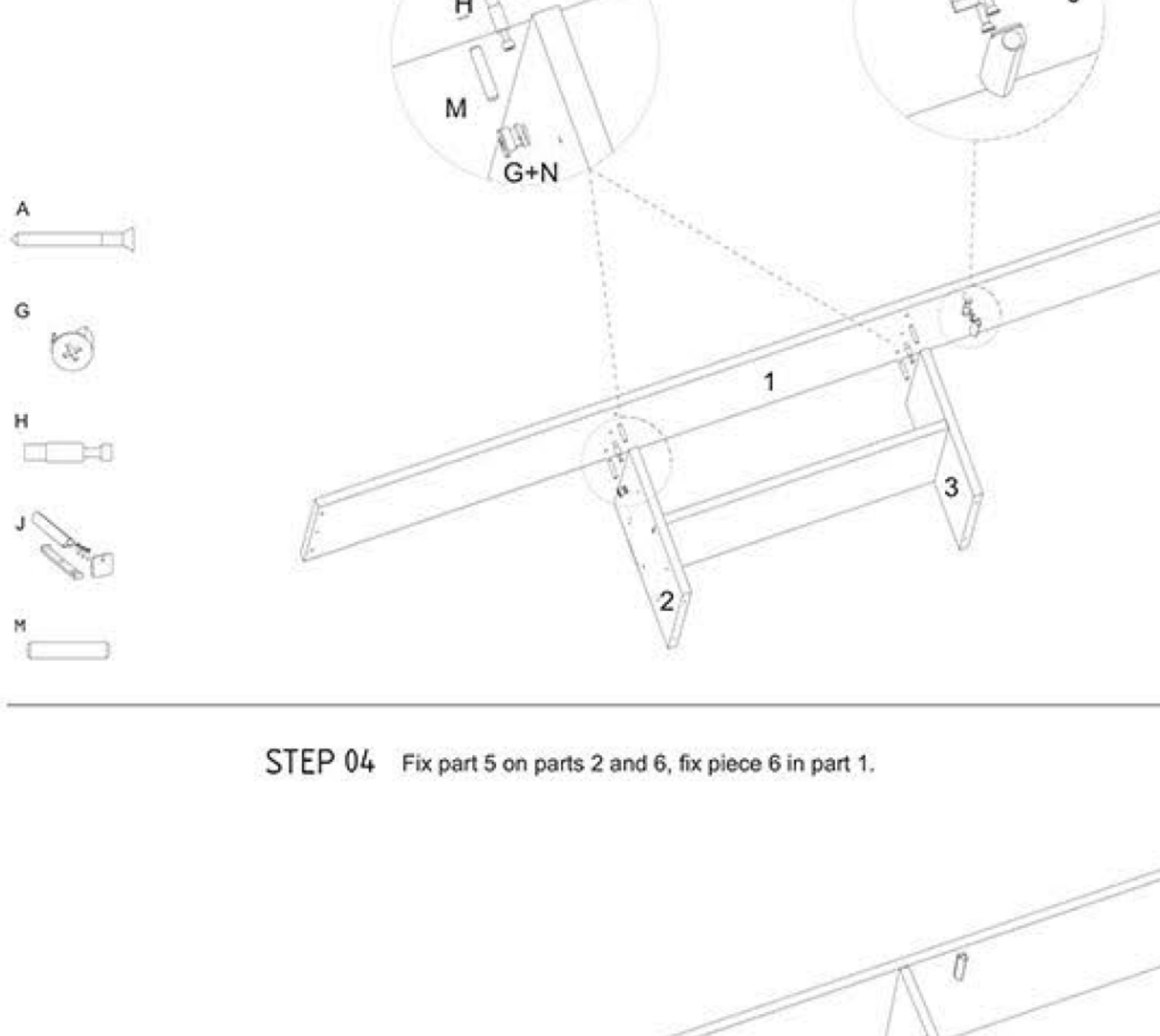
STEP 01 Fix accessory L to parts 2 and 6



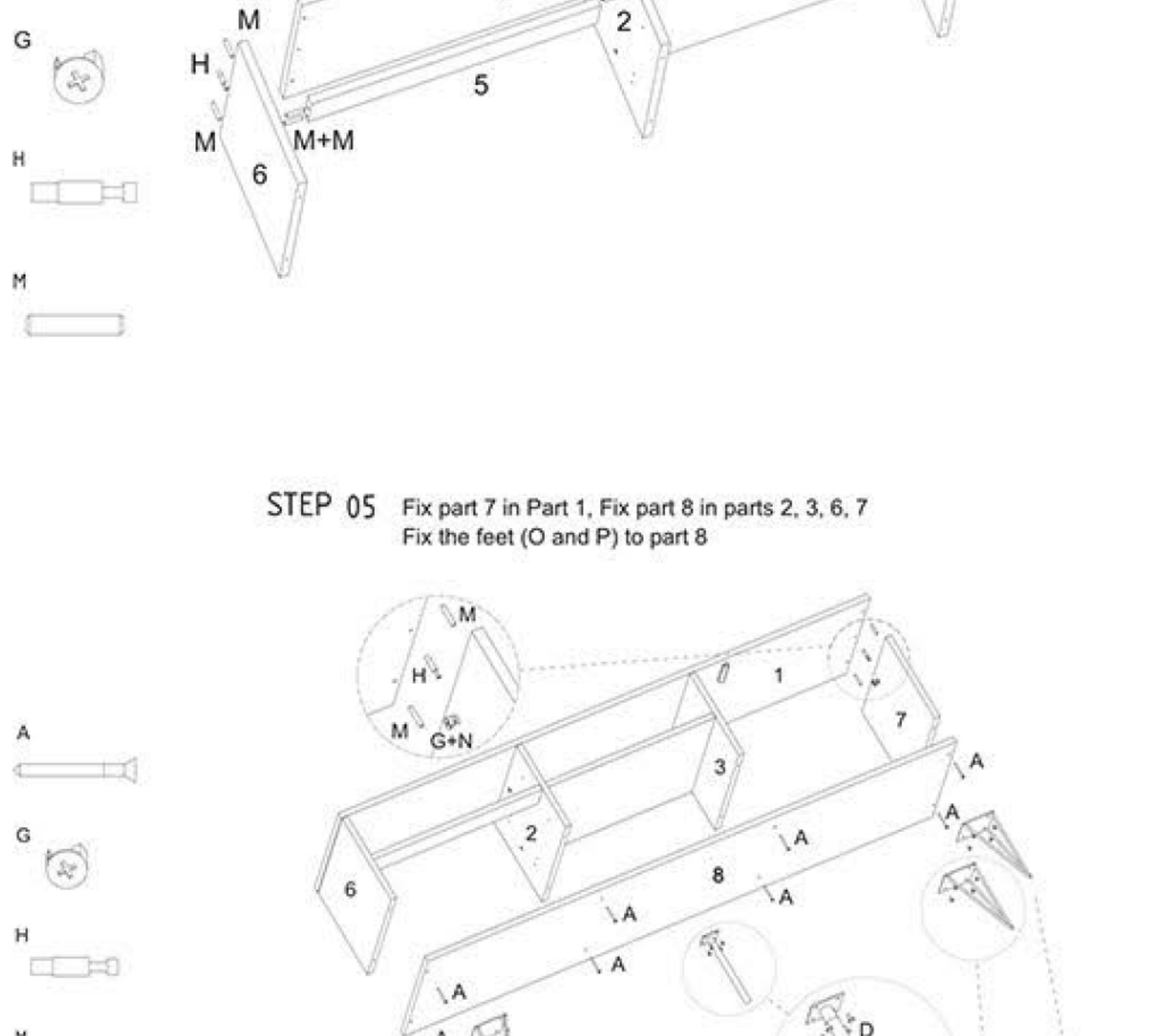
STEP 02 Fix Parts 2 and 3 in Part 4



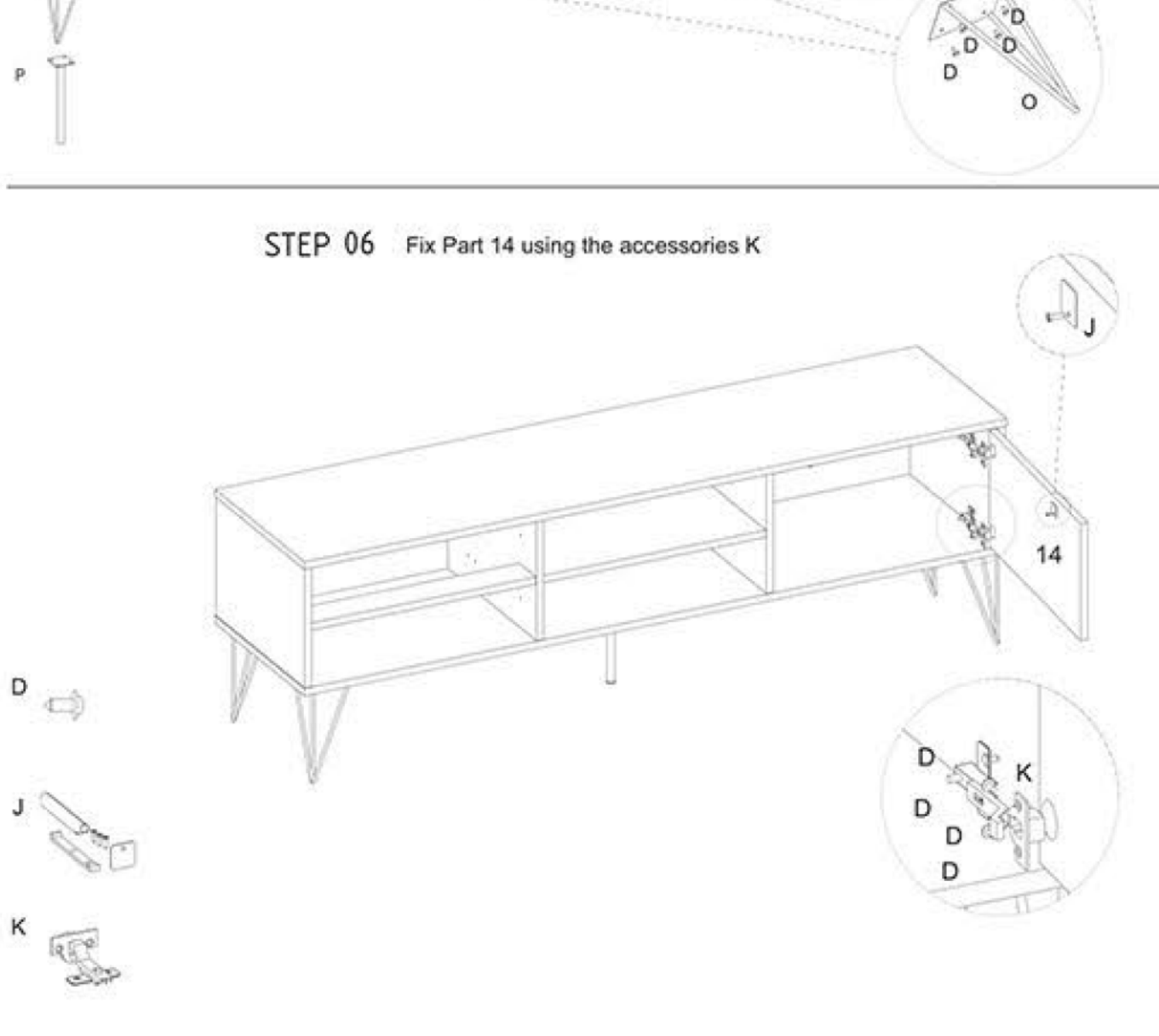
STEP 03 Fix Parts 2 and 3 in Part 1, fix part 4 in parts 2 and 3



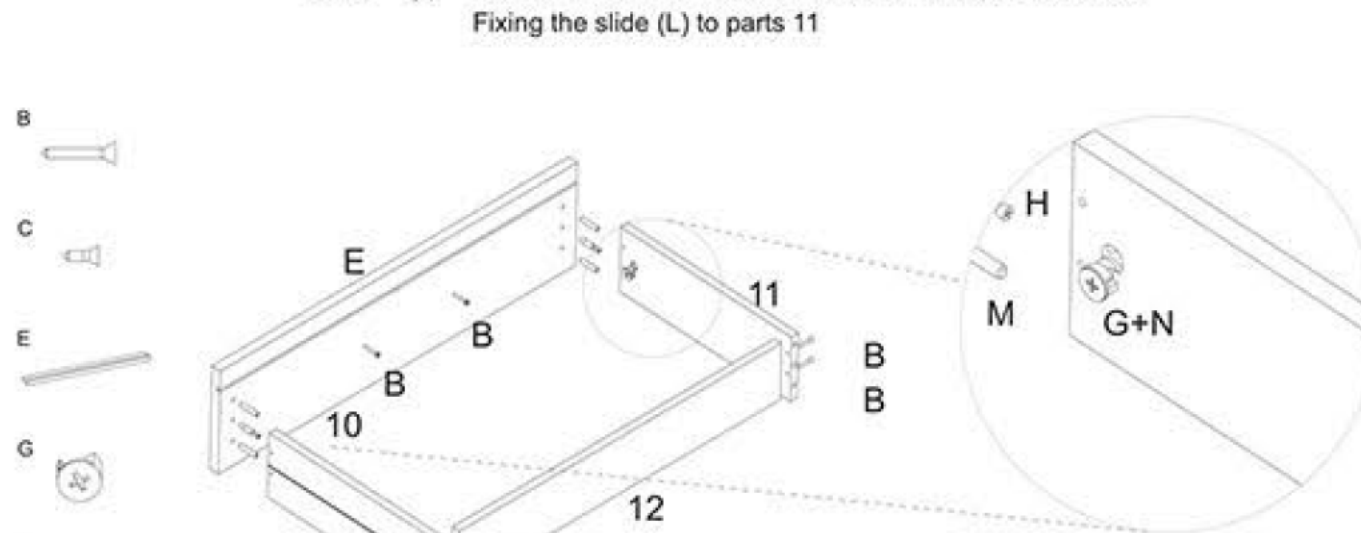
STEP 04 Fix part 5 on parts 2 and 6, fix piece 6 in part 1.



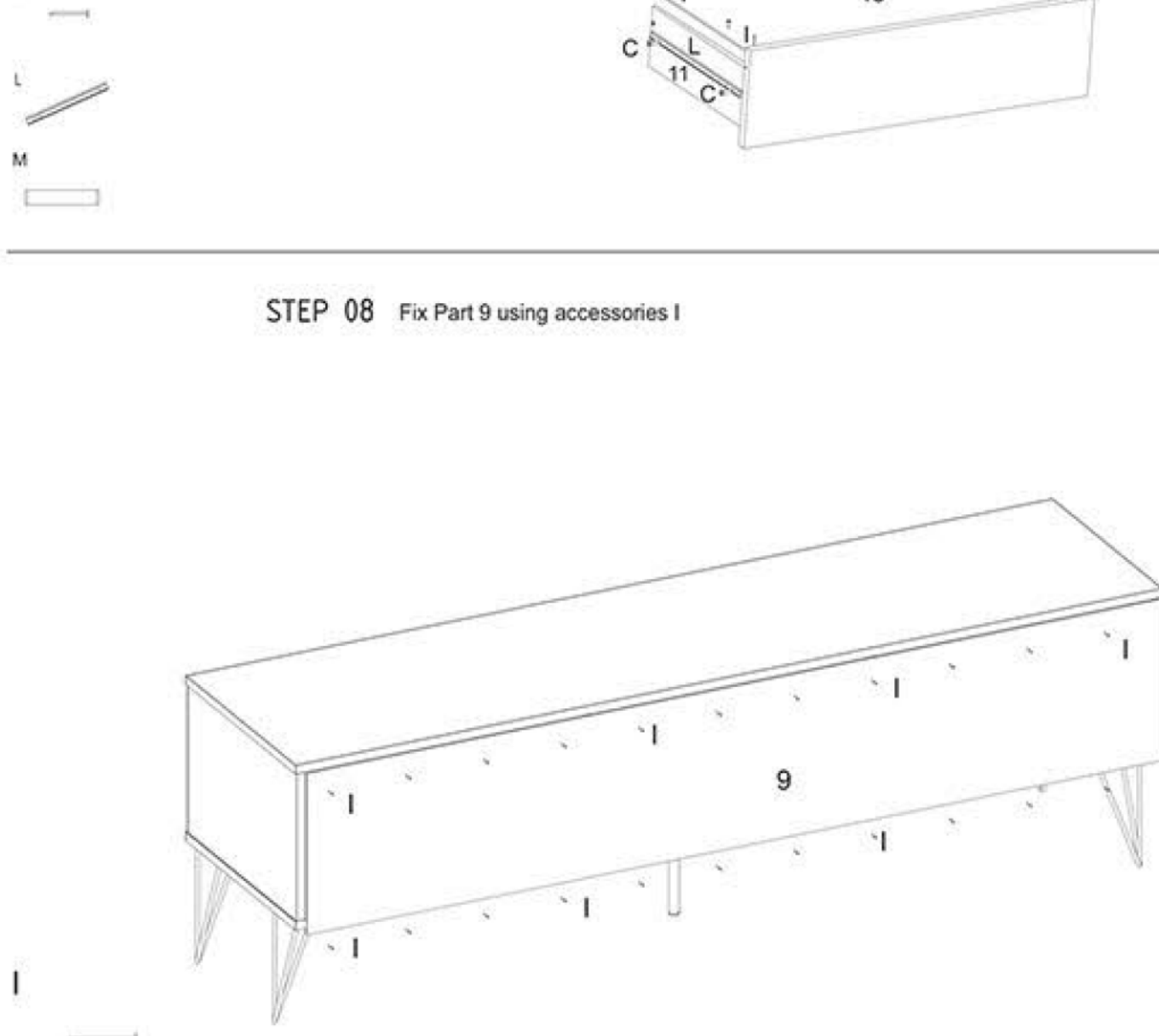
STEP 05 Fix part 7 in Part 1, Fix part 8 in parts 2, 3, 6, 7 Fix the feet (O and P) to part 8



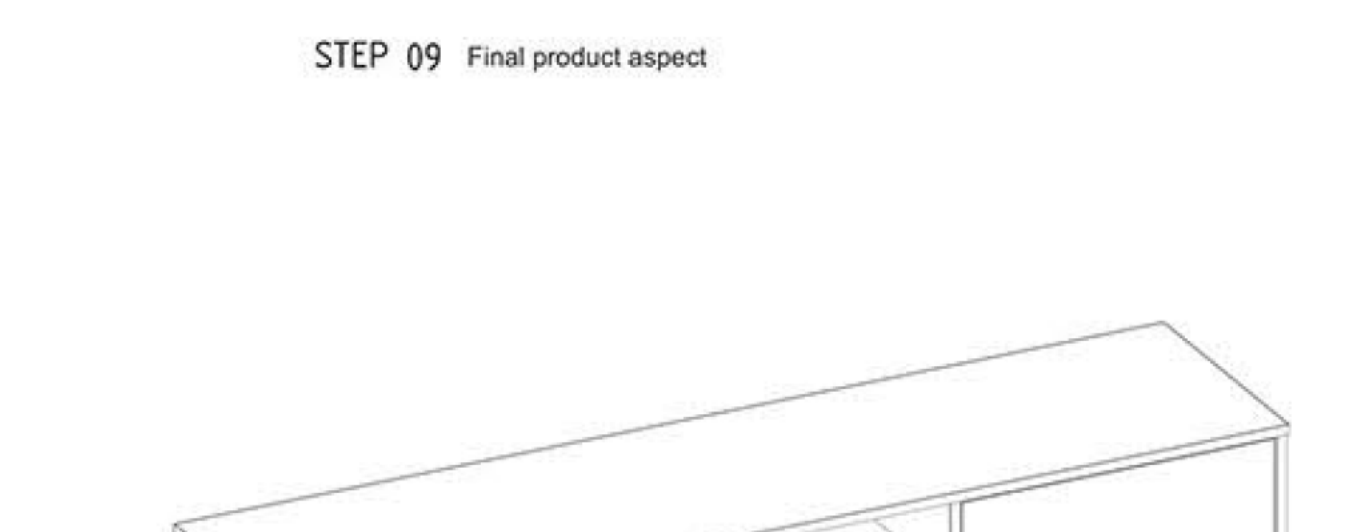
STEP 06 Fix Part 14 using the accessories K



STEP 07 Fix part 10 and 12 in parts 11, fix part 13 using accessories I Fixing the slide (L) to parts 11



STEP 08 Fix Part 9 using accessories I



STEP 09 Final product aspect



SPECIAL NOTES - TAKING CARE OF YOUR PRODUCT

NEVER USE A CHEMICAL CLEANING PRODUCT, IT CAN DAMAGE THE FINISH. FOR CLEANING, USE A SLIGHTY DAMP CLOTH AND WIPE DRY.

NEVER LET LIQUIDS OR DAMP ON THIS FURNITURE.

TO AVOID DULLING OF THE FINISH, DO NOT PLACE FURNITURE IN DIRECT SUNLIGHT.

TO CLEAN, USE A SOFT OR SLIGHTLY DAMP CLOTH, THEN WIPE WITH A CLEAN, DRY CLOTH, PREFERABLY USE A NEUTRAL SOAP.