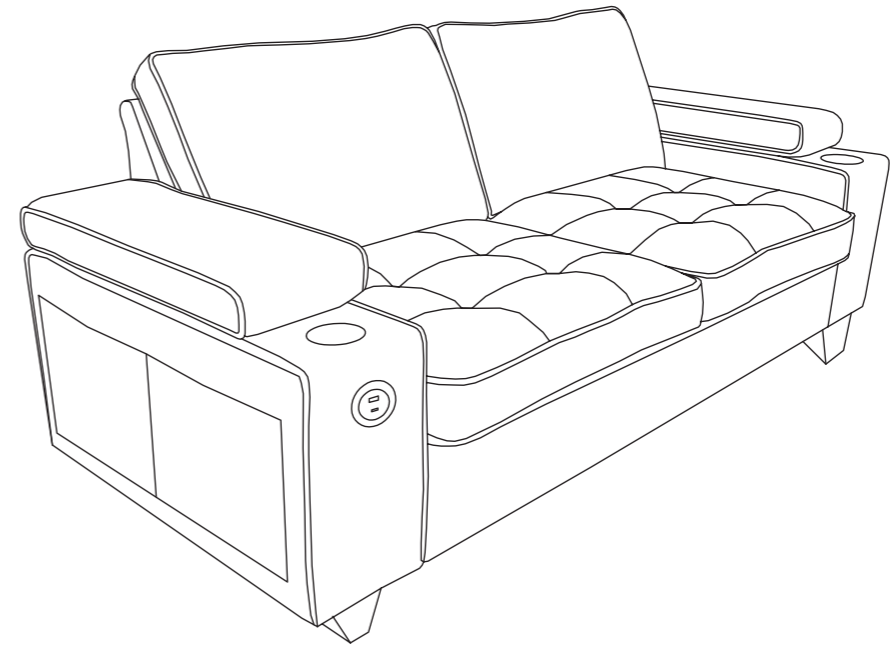



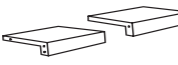
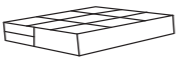

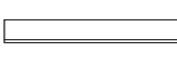




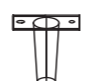





11



ITM.92005 SOFA

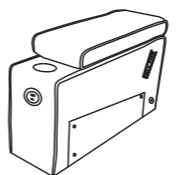
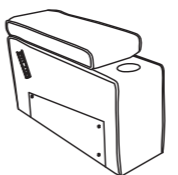
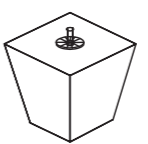
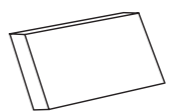
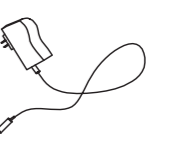

## ASSEMBLY INSTRUCTION

### BOX-A SOFA

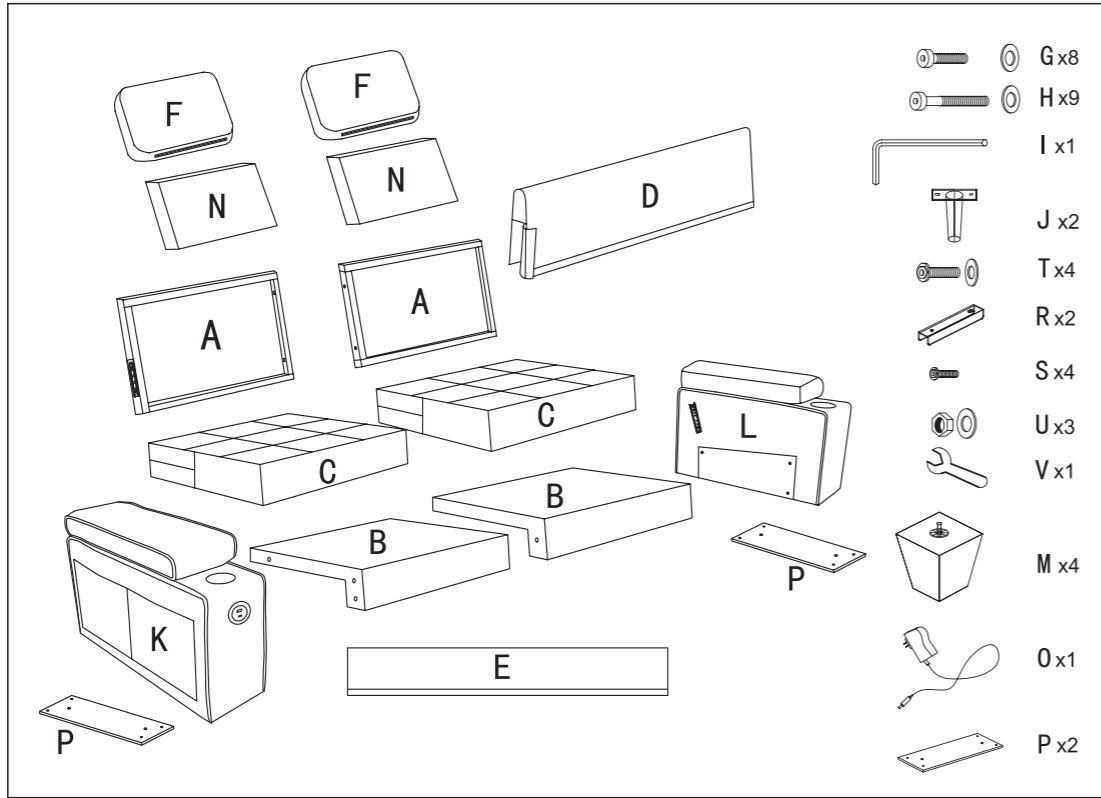
<b>A</b>  x2	<b>B</b>  x2	<b>C</b>  x2	<b>D</b>  x1	<b>E</b>  x1
Back bracket	Seat frame	Seat cushion	Backrest cover	Foreseat plate fabric cover
<b>F</b>  x2	<b>G</b>  M8*30mm x8	<b>H</b>  M8*55mm x9	<b>I</b>  x1	<b>J</b>  H230mm x2
Back cushion cover	Bolt	Bolt	Allen Key	Middle leg
<b>R</b>  x2	<b>S</b>  M6*20mm x4	<b>T</b>  M8*25mm x4	<b>U</b>  x3	<b>V</b>  x1
Back frame reinforcement card slot	Bolt	Bolt	Nut	Socket Wrench

1

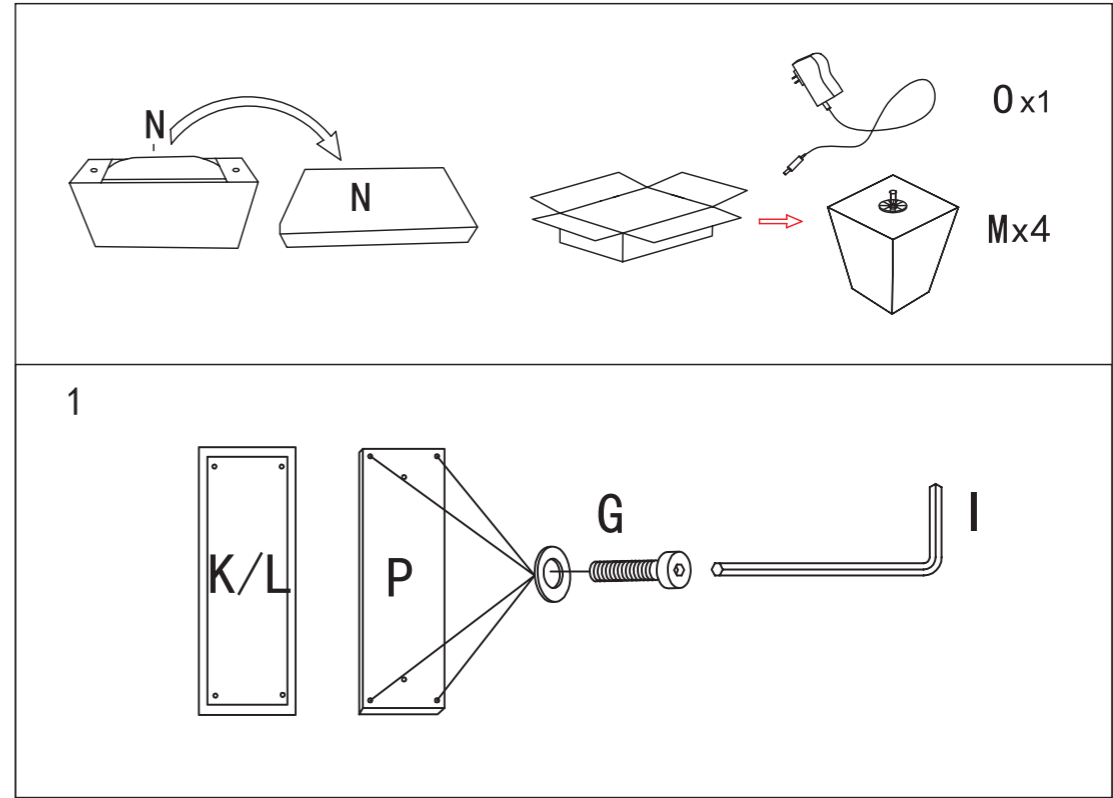
### BOX-B

<b>K</b>  x1	<b>L</b>  x1	<b>M</b>  x4	<b>N</b>  x2	<b>O</b>  x1
Handrail	Handrail	Feet	Back cushion	Power cord
<b>P</b>  x2				
Handrail bottom plate				

2

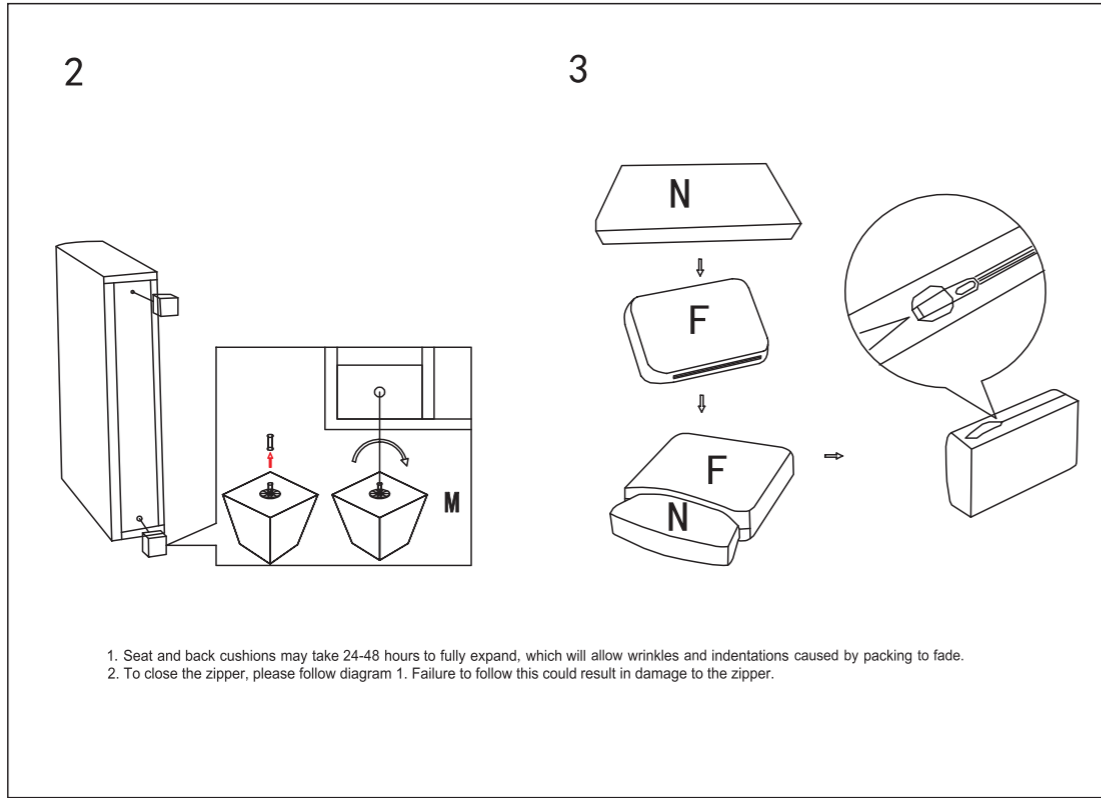


3

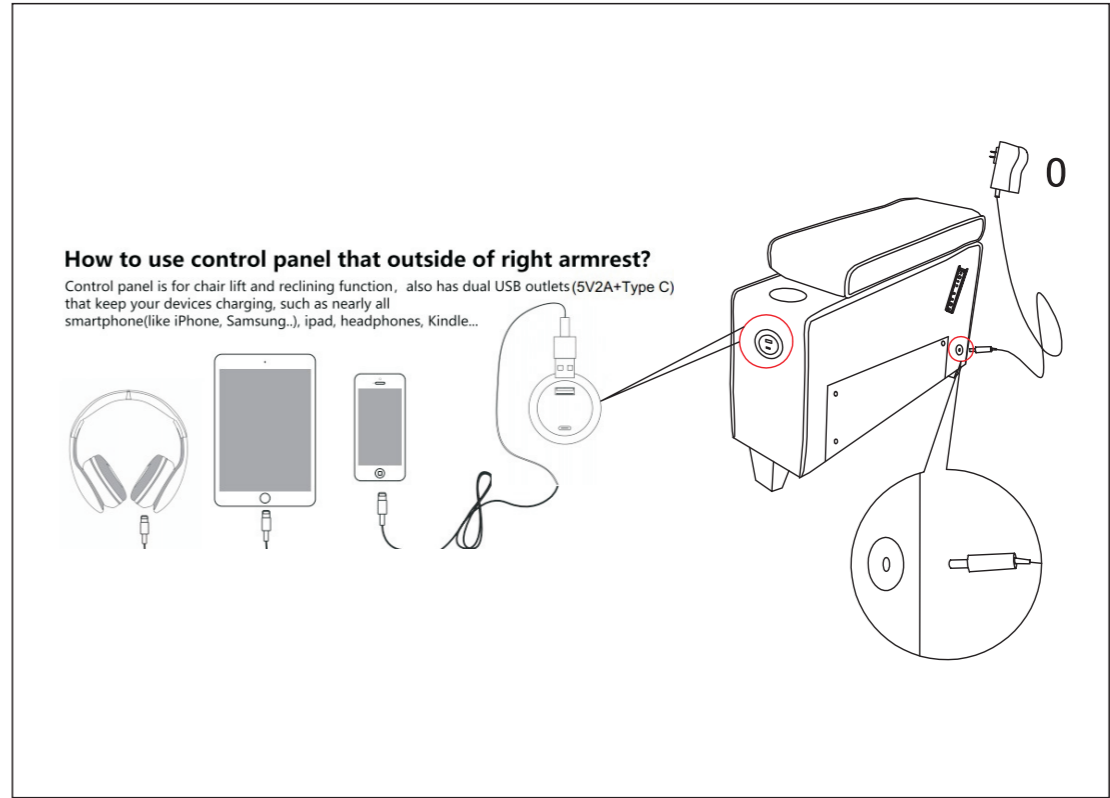


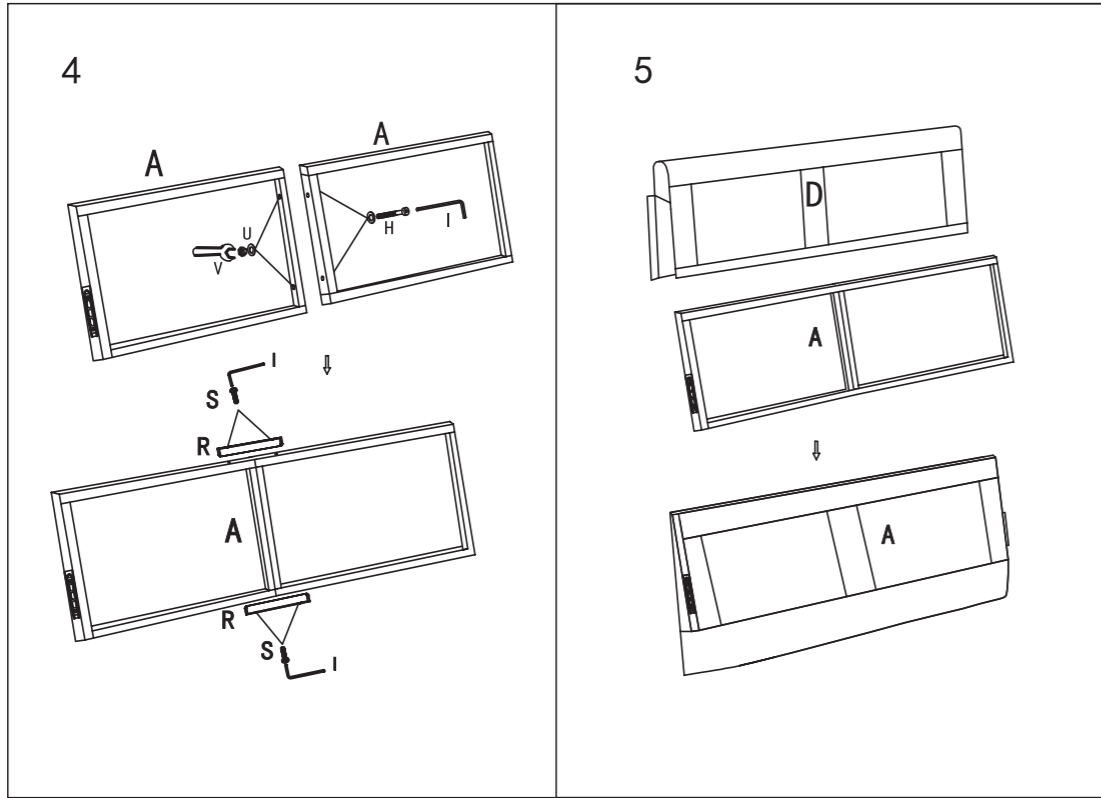
1

4

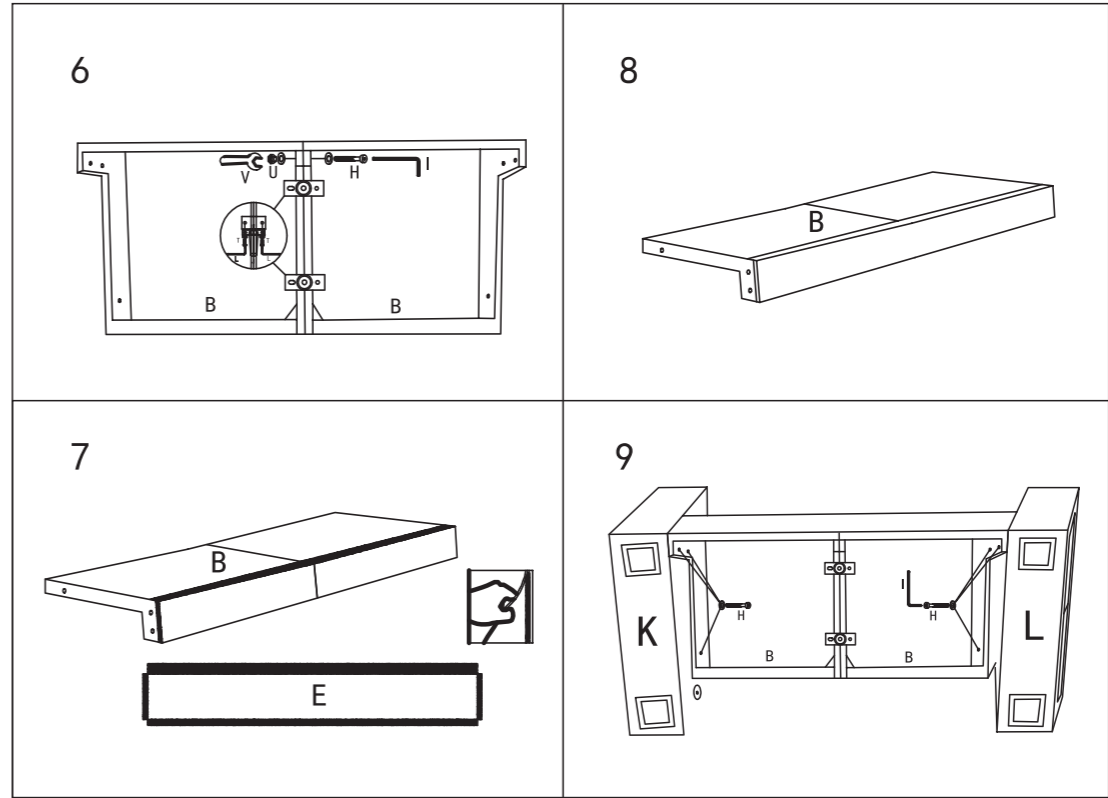


5

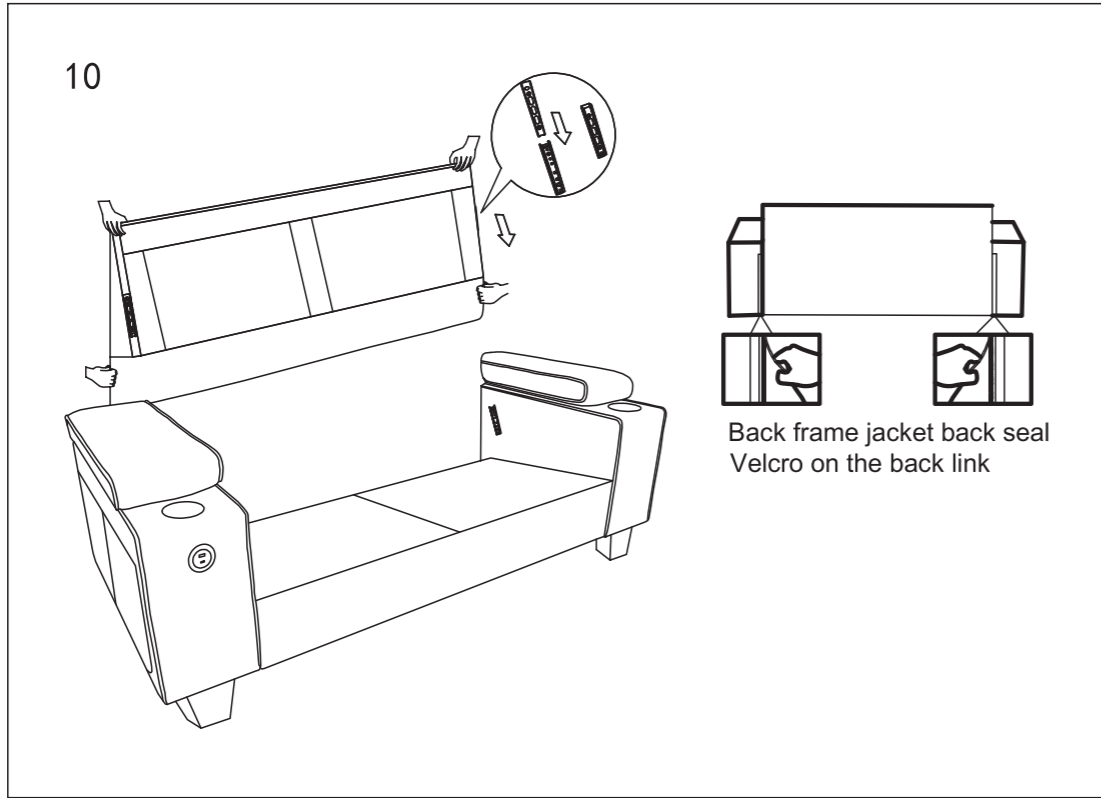




7



8



9

